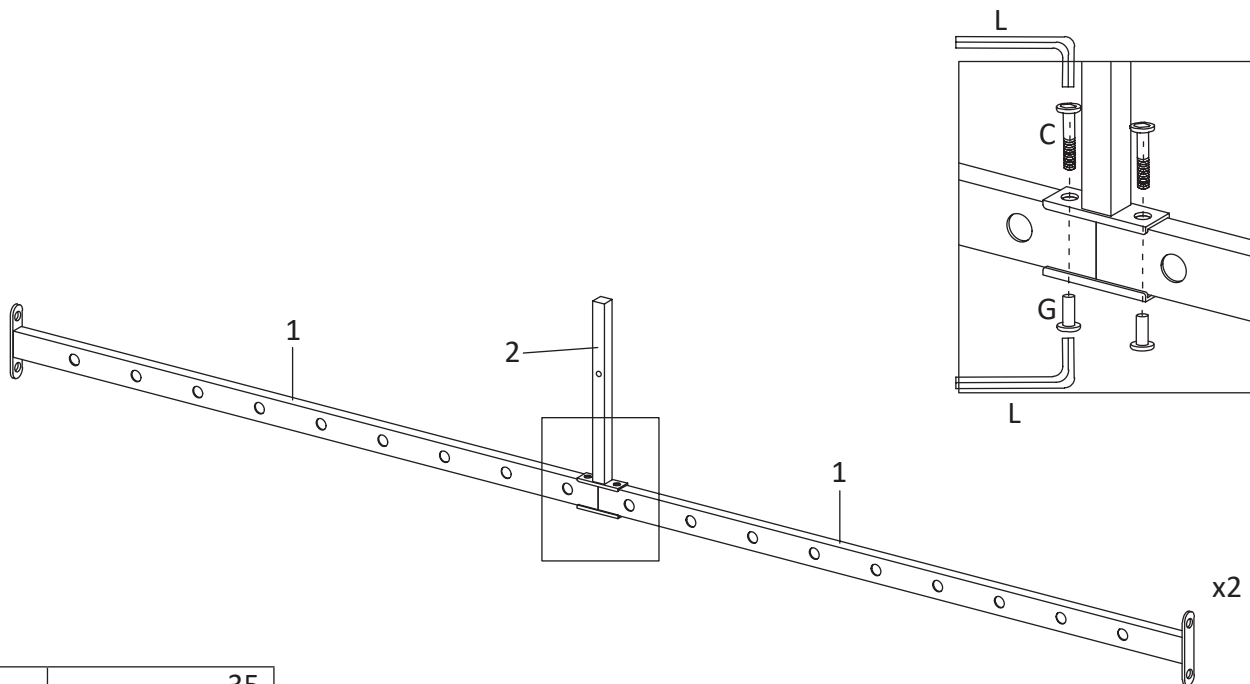


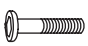

Installation & Assembly



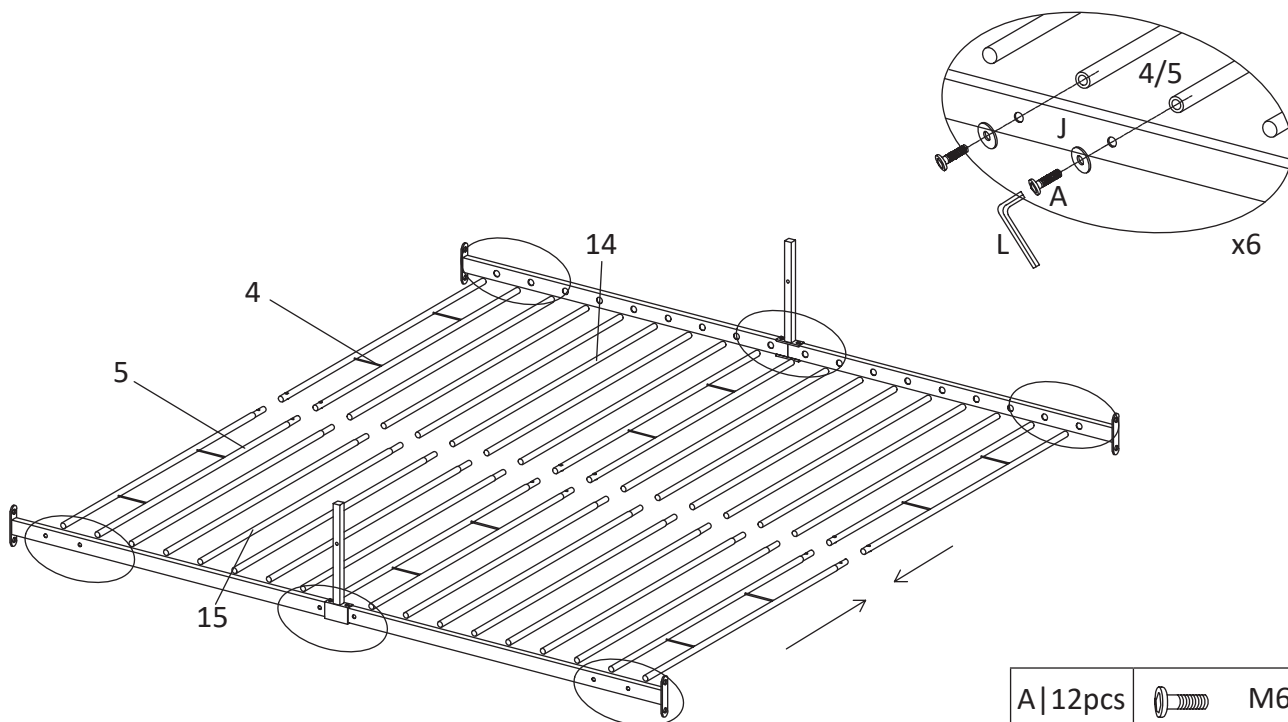
| | | | | | | | | | | | |
|---------------------------------------|--|--------------------------------------|--|--------------------------------------|--|---------------------------------------|--|---------------------------------------|--|-------------------------------------|--|
| 1 4pcs | | 2 2pcs | | 3 2pcs | | 4 3pcs | | 5 3pcs | | | |
| 6 2pcs | | 7 2pcs | | 8 2pcs | | 9 2pcs | | 10 2pcs | | | |
| 11 4pcs | | 12 1pc | | 13 6pcs | | 14 12pcs | | 15 12pcs | | 16 4pcs | |
| A 16pcs M6x $\frac{15}{0.6}$ | | B 2pcs M6x $\frac{20}{0.8}$ | | C 6pcs M6x $\frac{35}{1.4}$ | | D 12pcs M6x $\frac{50}{2.0}$ | | E 12pcs M8x $\frac{35}{1.4}$ | | F 1pc M6x $\frac{50}{2.0}$ | |
| G 16pcs M6x $\frac{18}{0.7}$ | | H 8pcs M8x $\frac{18}{0.7}$ | | J 38pcs | | K 20pcs | | L 2pcs M6 | | M 2pcs M8 | |
| N 4pcs | | O 7pcs | | P 4pcs M6x $\frac{10}{0.4}$ | | Q 6pcs M6x $\frac{30}{1.2}$ | | mm inch x2 | | | |

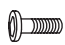

1



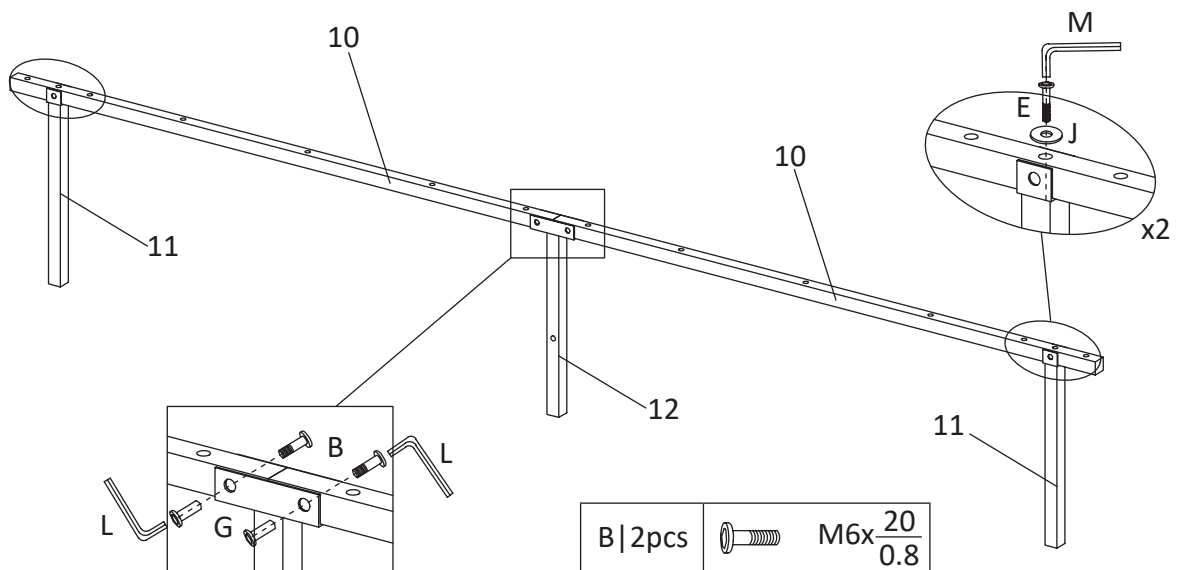
| | | |
|----------|---|----------------------|
| C 4pcs |  | M6x $\frac{35}{1.4}$ |
| G 4pcs |  | M6x $\frac{18}{0.7}$ |

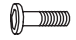
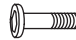


2



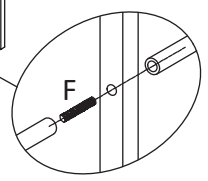
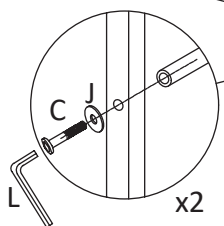
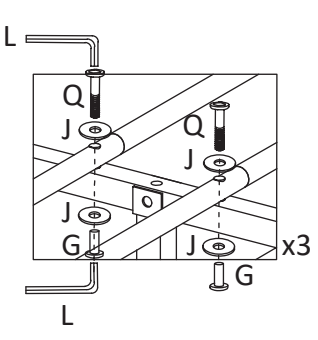
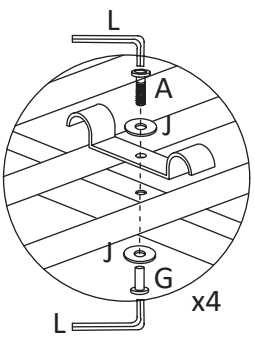
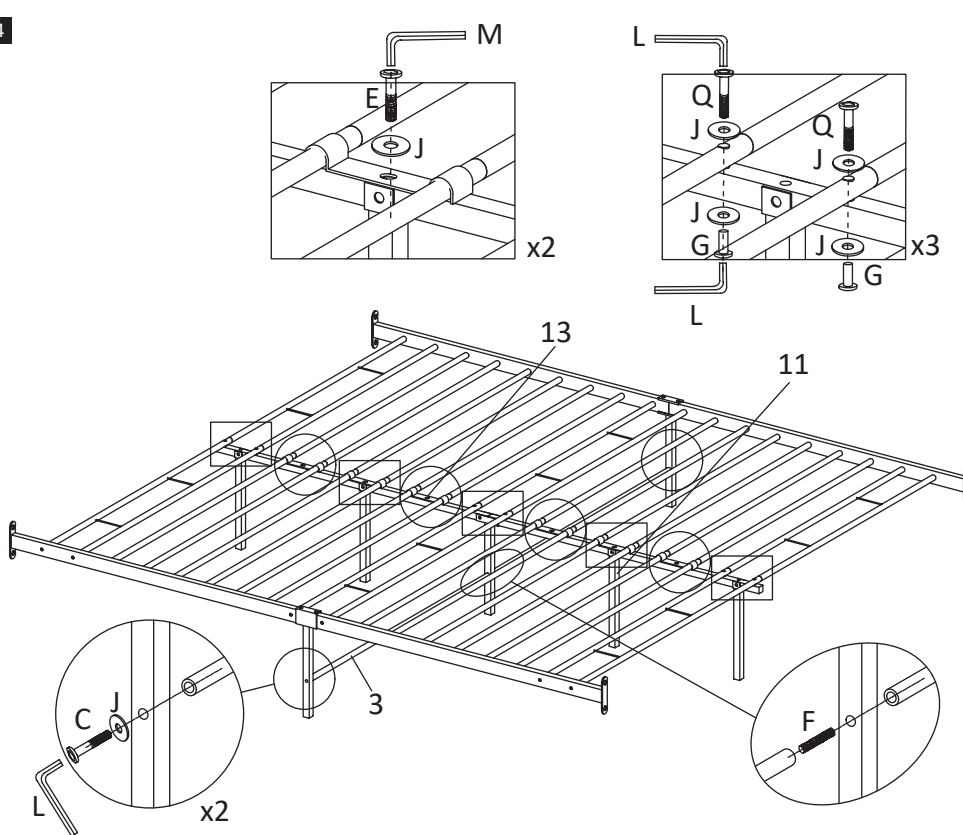
| | | |
|-----------|---|----------------------|
| A 12pcs |  | M6x $\frac{15}{0.6}$ |
| J 12pcs |  | |

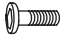
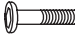
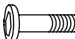




3



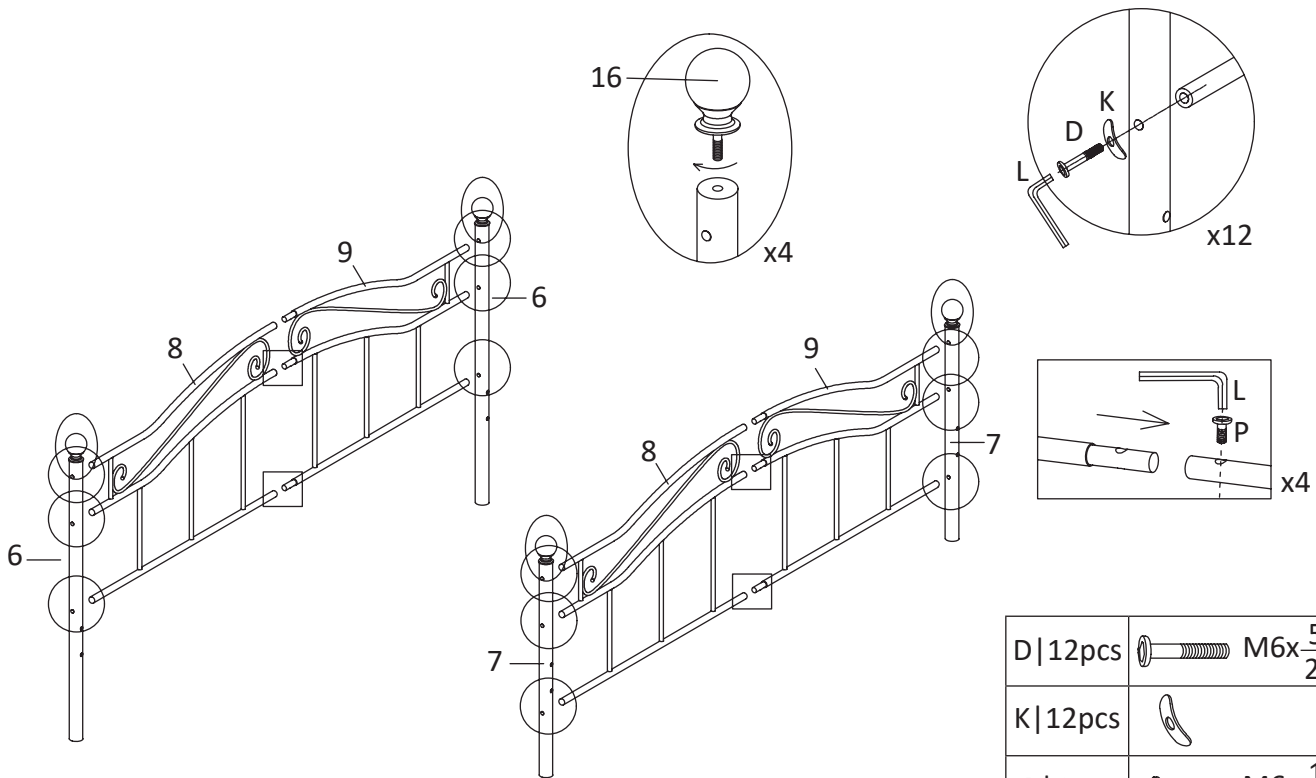
| | | |
|----------|---|----------------------|
| B 2pcs |  | M6x $\frac{20}{0.8}$ |
| E 2pcs |  | M8x $\frac{35}{1.4}$ |
| G 2pcs |  | M6x $\frac{18}{0.7}$ |
| J 2pcs |  | |

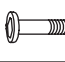


4



| | | |
|-----------|---|----------------------|
| A 4pcs |  | M6x $\frac{15}{0.6}$ |
| C 2pcs |  | M6x $\frac{35}{1.4}$ |
| E 2pcs |  | M8x $\frac{35}{1.4}$ |
| F 1pc |  | M6x $\frac{50}{2.0}$ |
| G 10pcs |  | M6x $\frac{18}{0.7}$ |
| J 24pcs |  | |
| Q 6pcs |  | M6x $\frac{30}{1.2}$ |

5



| | |
|-----------|--|
| D 12pcs |  M6x $\frac{50}{2.0}$ |
| K 12pcs |  |
| P 4pcs |  M6x $\frac{10}{0.4}$ |

6

