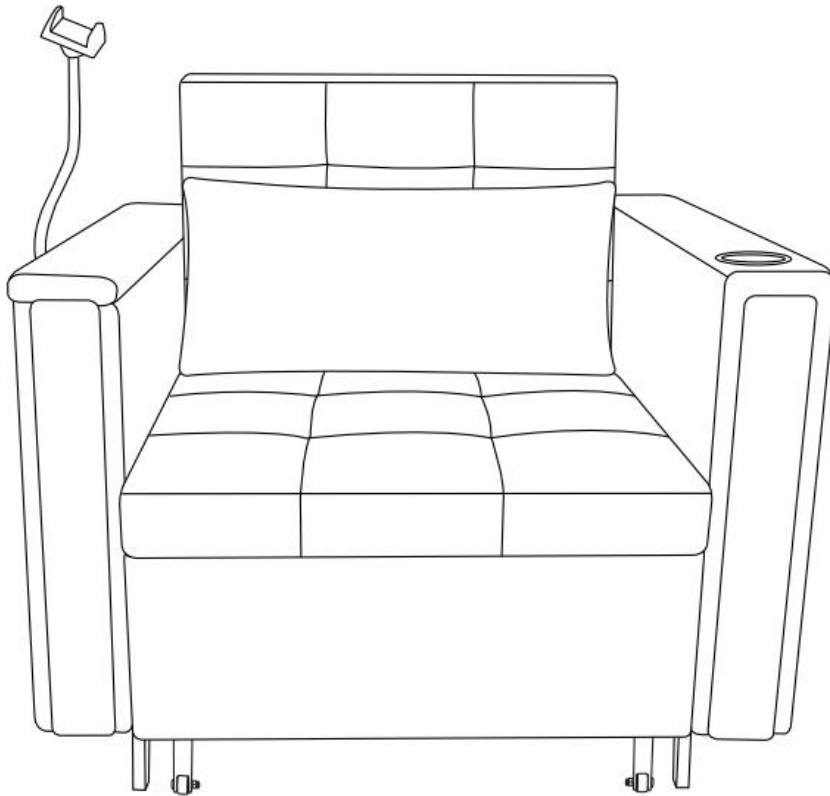


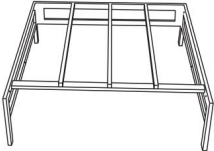
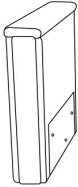
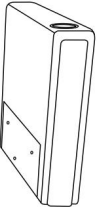
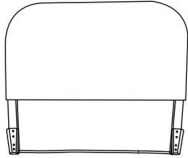
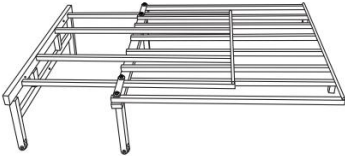
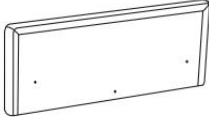
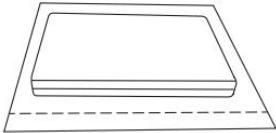
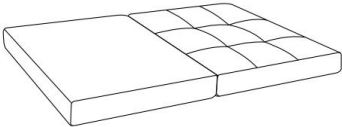
# Assembly Instructions

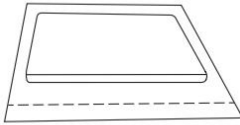
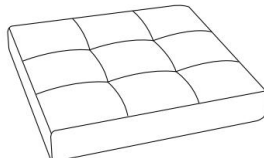
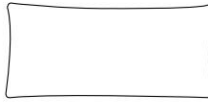
**Note: Please help to read my instruction before you ready to assemble.**

## Chair











# Part List

Label	Picture	Description	QTY (PCS)
A		Iron Chair Frame	1
B		Left Armrest (with cell phone holder)	1
C		Right Armrest (with cup holder)	1
D		Backrest	1
E		Iron Chair Frame	1
F		Footrest	1
G		Folding Cushion Package	1
		Folding Cushion	1

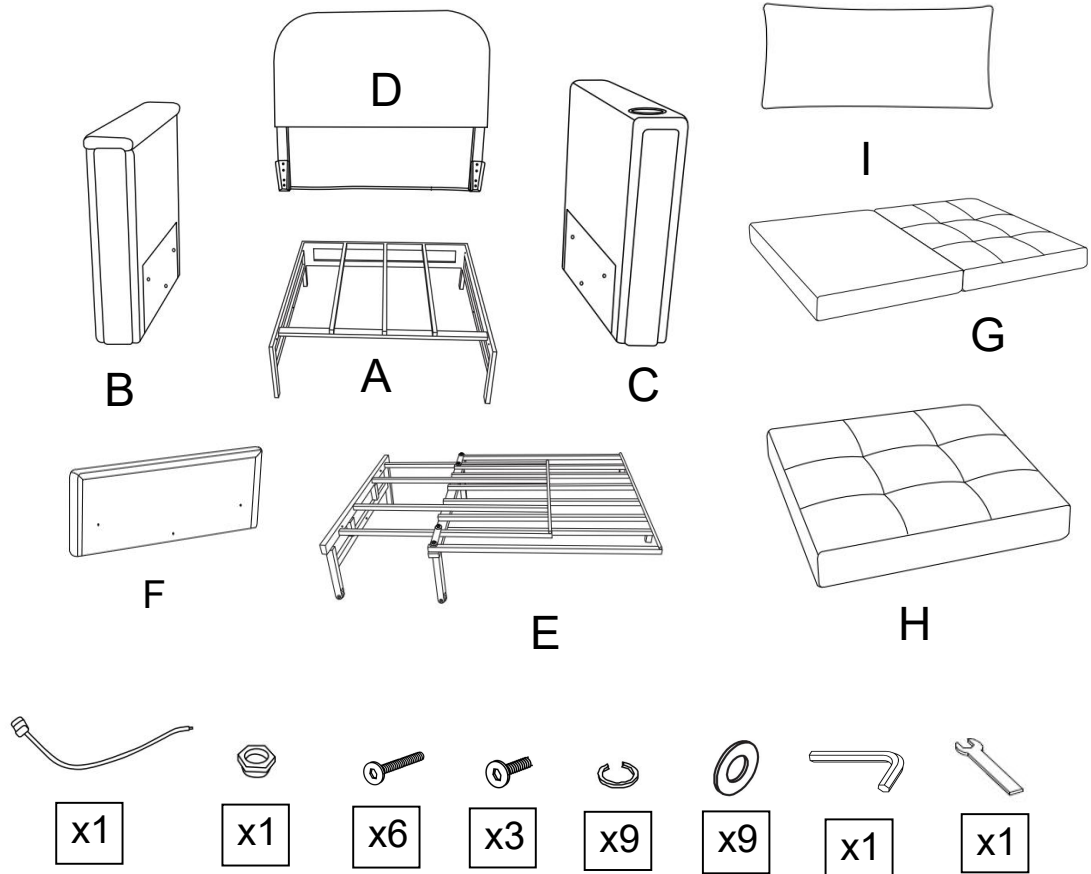
H		Seat Cushion Package	1
		Seat Cushion	1
I		Waist Cushion	1

**Hardware**

①		Cell Phone Holder	1
②		Nut	1
③		Bolt(M8*40mm)	6
④		Bolt(M8*30mm)	3
⑤		Spring Washer	9
⑥		Flat Washer	9
⑦		Allen Wrench(S5)	1
⑧		Spanner	1

## Assembly Preparation

All Including:

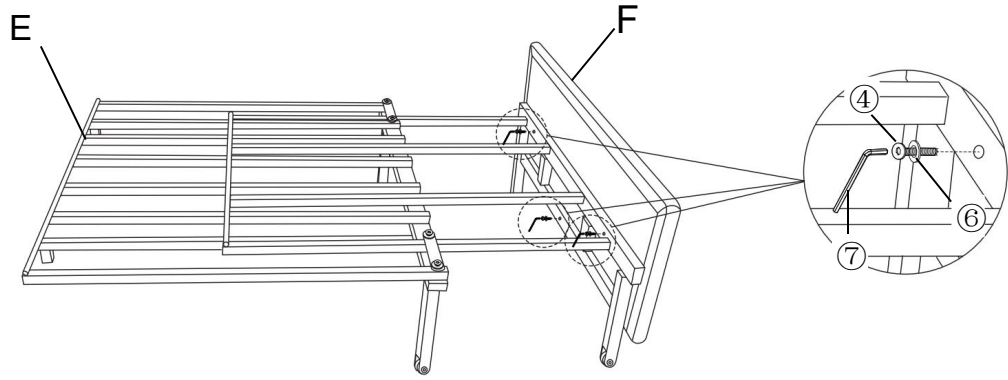


### **NOTICE:**

- Please read the instruction from cover to cover in detail.Thanks.
- Installed by at least two adults
- To avoid damaging your furniture , Please don't assemble on flooring or carpet.
- Please assemble on a clean non-marring surface, example for packing foam.
- Saving all packaging until have finished.

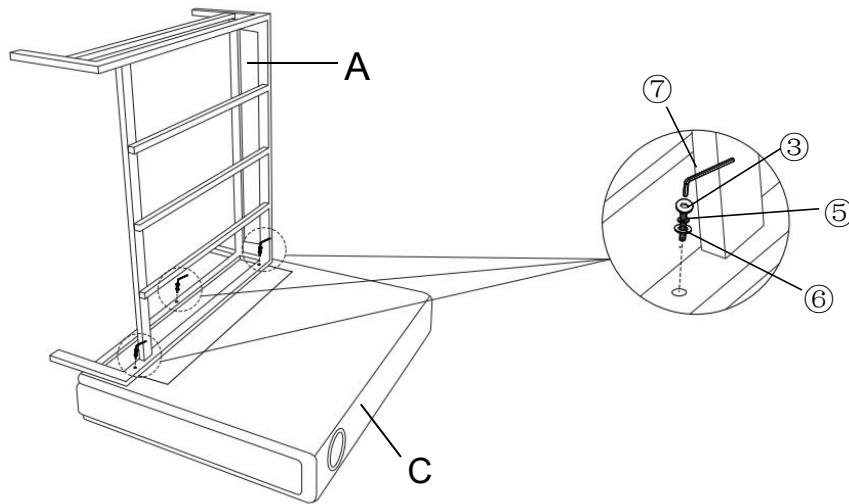
## Assembly Steps

### Step 1



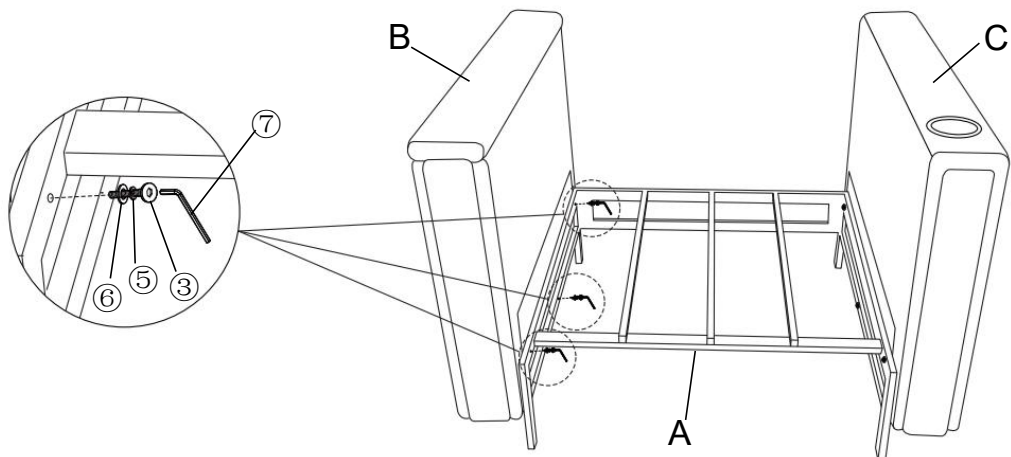
Install the Footrest (F) on the Iron Chair Frame (E) by using Bolt (4) and Flat Washer (6) with Allen Wrench (7) turning clockwise until tight.

### Step 2



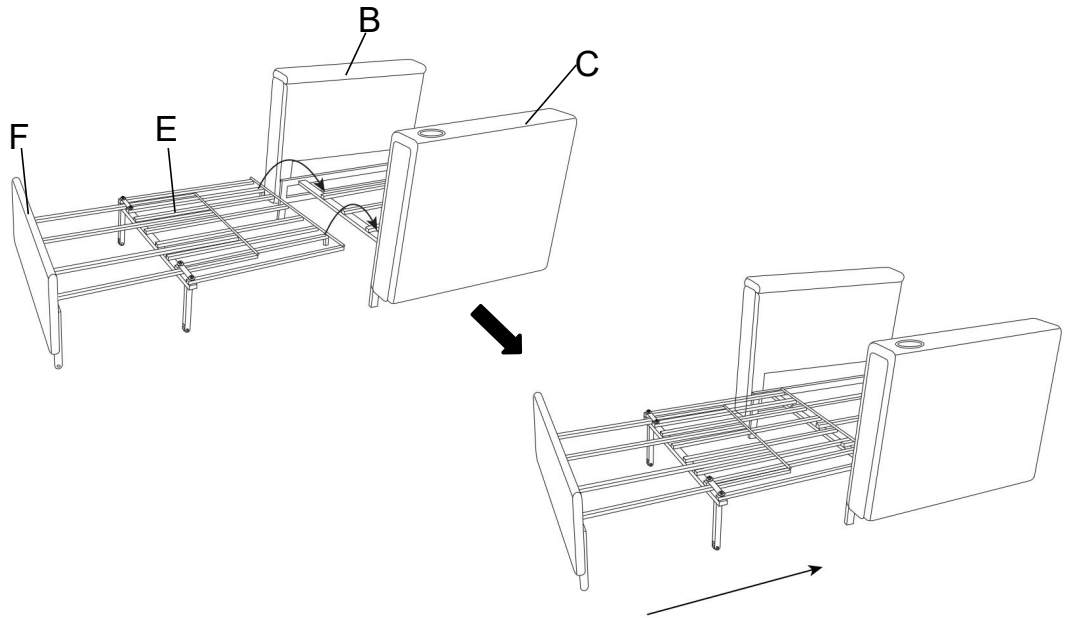
Install the Right Armrest (C) to the Iron Chair Frame (A) by using Bolt (3), Spring Washer (5), Flat Washer (6), with Allen Wrench (7) turning clockwise until tight.

### Step 3



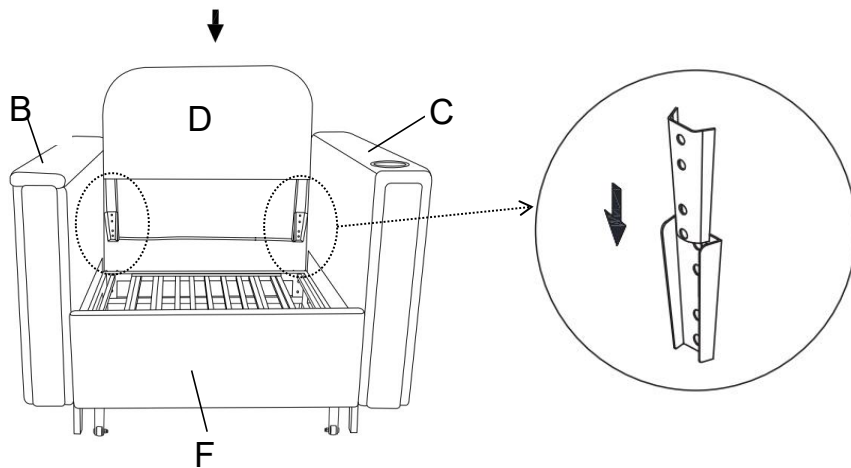
Position the other side up, install the Left Armrest (B) to the Iron Chair Frame (A) by using Bolt (3), Spring Washer (5), Flat Washer (6), with Allen Wrench (7) turning clockwise until tight.

**Step 4**



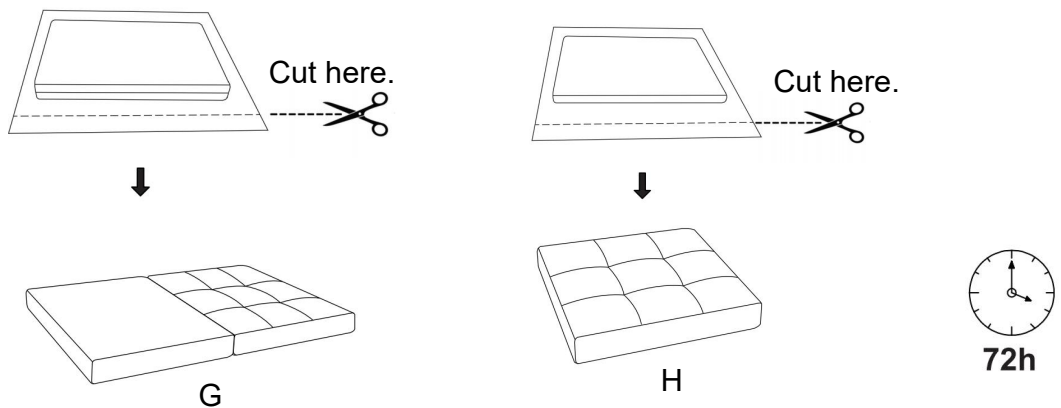
Put the Semi-assembly Part (Step 1) on Semi-assembly Part (Step 3), then push the Footrest (F) into chair.

**Step 5**



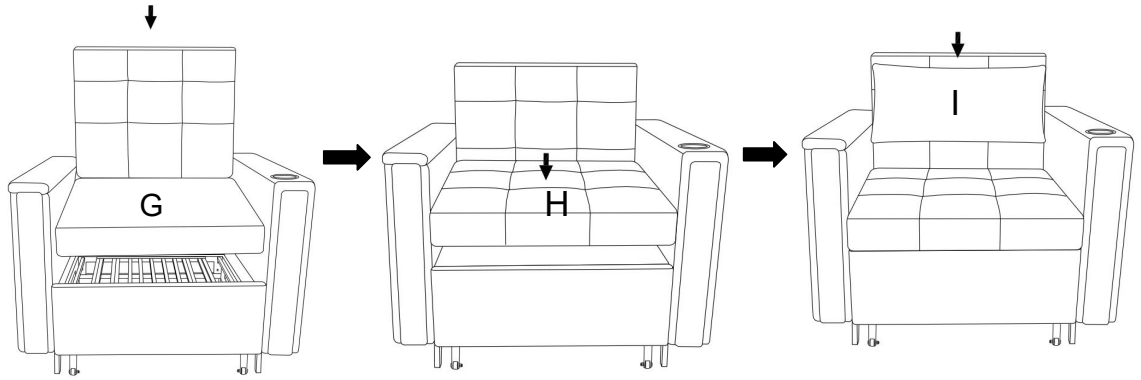
Slide the Tapered Connectors on the Backrest(D) into the Tapered Connectors on the Left Armrest(B) and Right Armrest(C) as shown in the picture.

**Step 6**



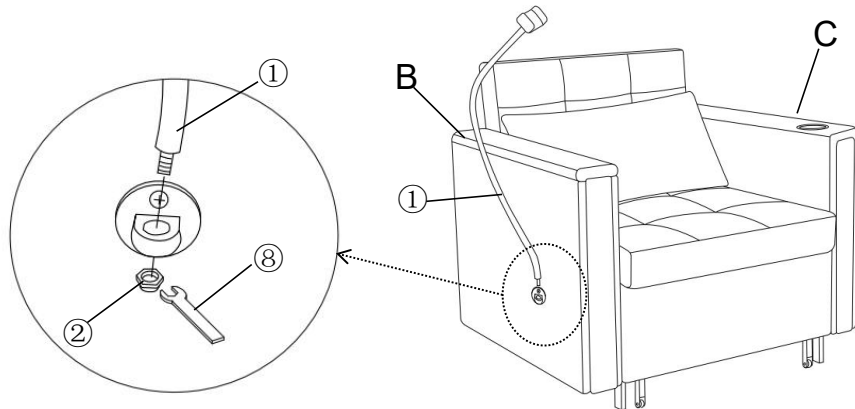
Cut the Folding Cushion Package (G) ,and Seat Cushion package(H) ,then take out cushiones .Fully decompression may take up to 72 hours.

### Step 7



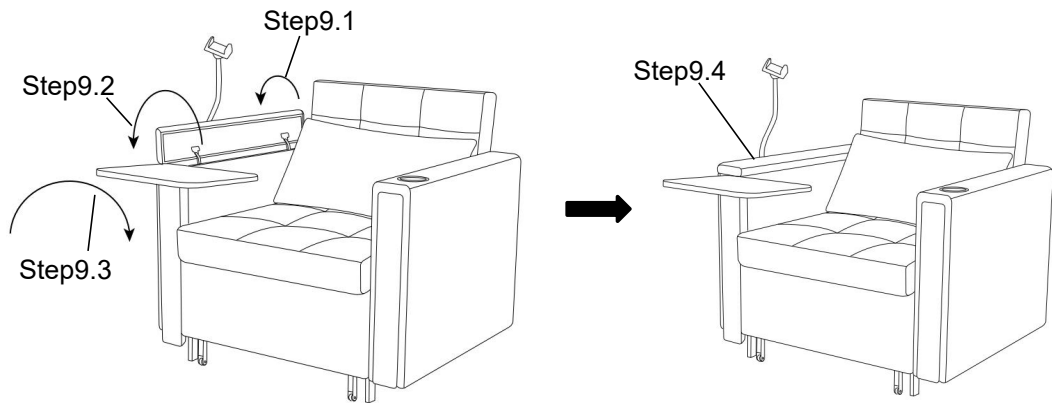
Respectively place the Folding Cushion(G), the Seat Cushion(H) and the Waist Cushion(I) on the Chair as picture shown.

### Step 8



Position the Chair right side up, install the Cell Phone Holder(①) with Nut(②) and using Spanner(⑧) turning clockwise until tight. The chair is ready for use.

### Step 9



Take out the Removable table as the step below:

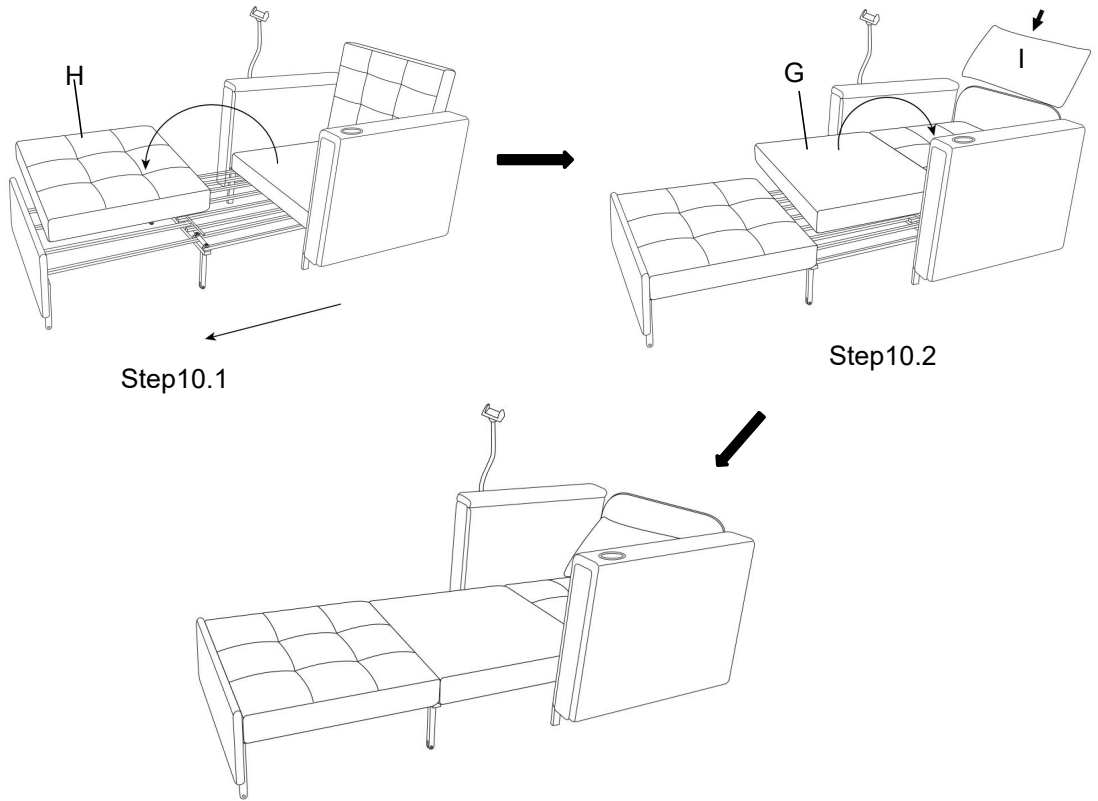
Step9.1: Open the lid on the Left Armrest(B) .

Step9.2: Slide down rope.

Step9.3: Take out the Removable table.

Step9.4: Close the lid on the Left Armrest(B) .

**Step 10**



Step10.1: Pull out the Footrest(F) in a level line,then put the Seat Cushion(H) on iron chair frame.  
Step10.2: Pull out and lie the Folding Cushion(G) ,then plecte the Waist Cushion(I) on the chair.