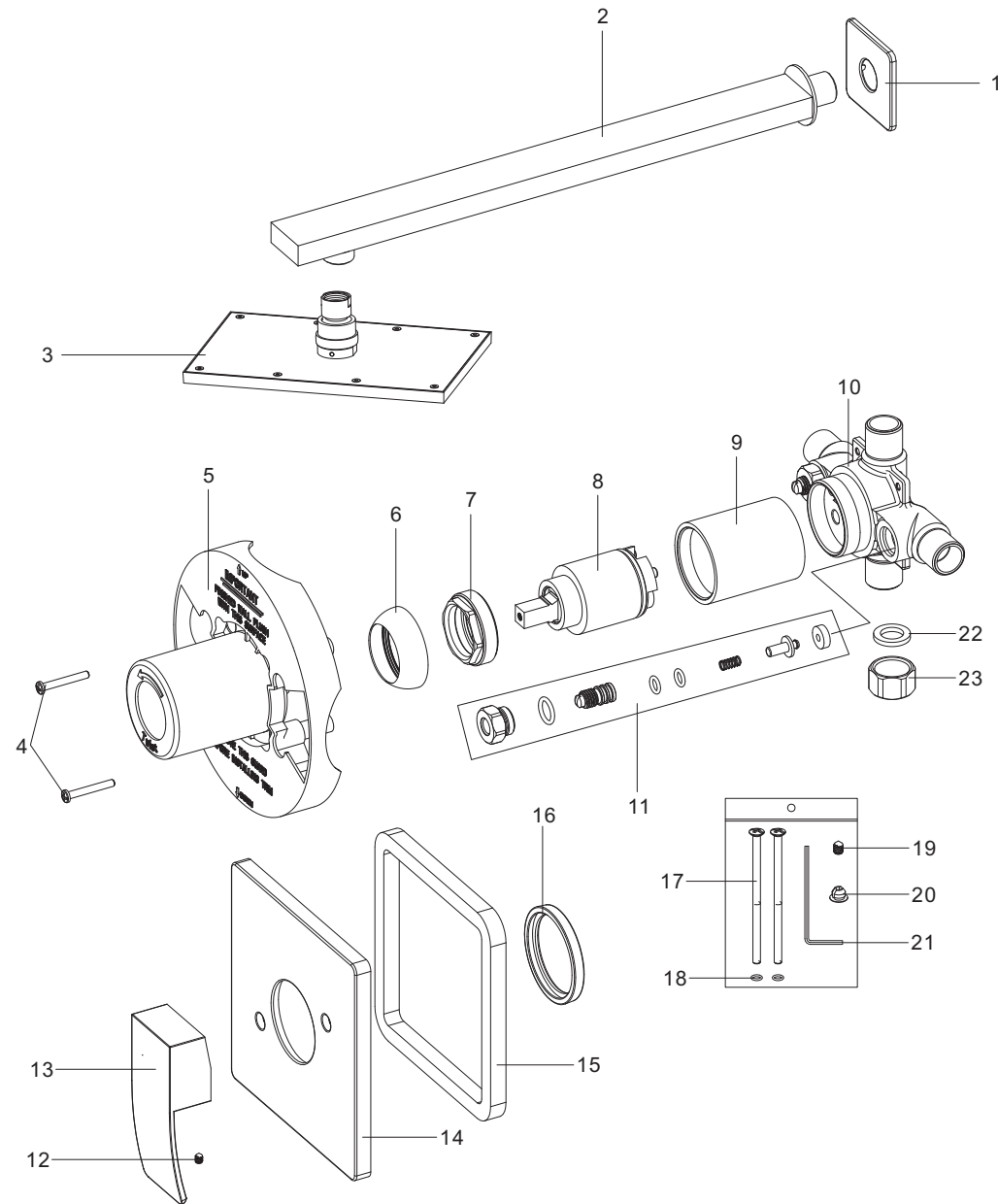
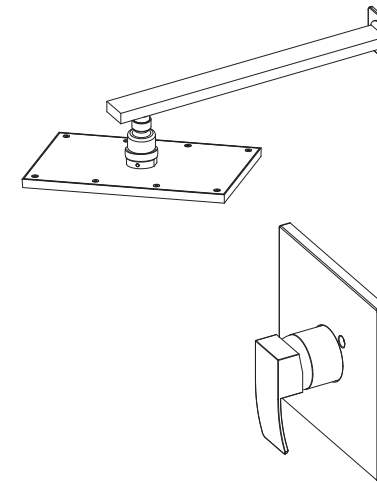


**Step 4 Parts list**



NO.	PART NAME
1	Flange
2	Shower arm
3	Shower head
4	Screw
5	Protect cover
6	Trim cap
7	Cartridge locknut
8	Cartridge
9	Sleeve
10	Body
11	Check valve
12	Screw
13	Handle
14	Trim plate
15	Joint
16	Joint
17	Screw
18	O-ring
19	Screw
20	Index
21	Allen key
22	Washer
23	End cap

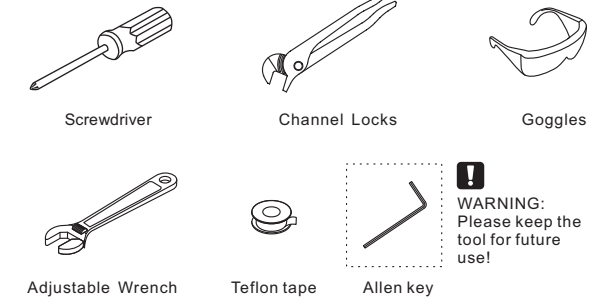


**SINGLE HANDLE PRESSURE  
BALANCED SHOWER SET**



ASME A112.18.1/CSAB125.1

**RECOMMENDED TOOLS**

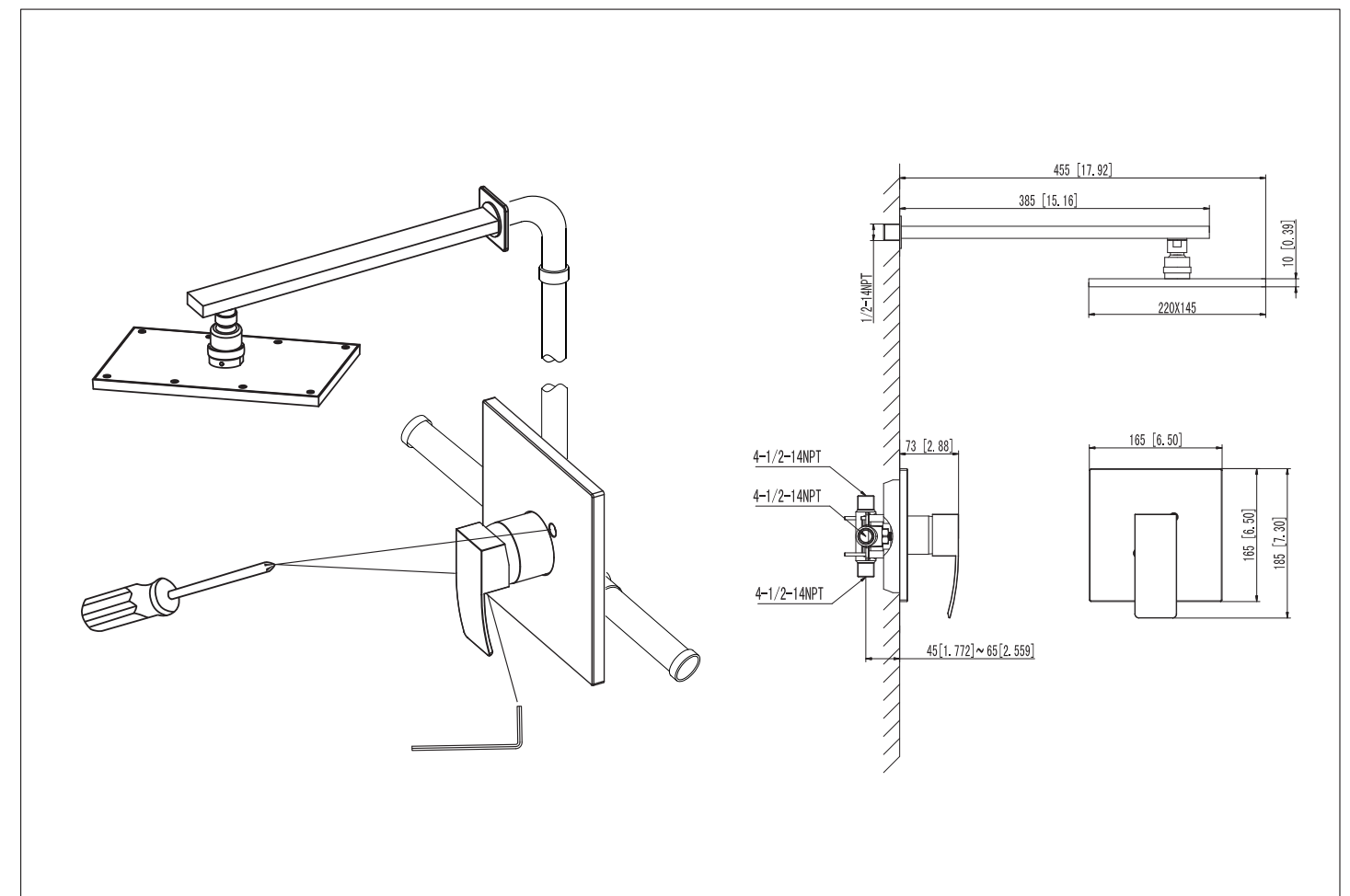


**WARNING:**  
Please keep the tool for future use!

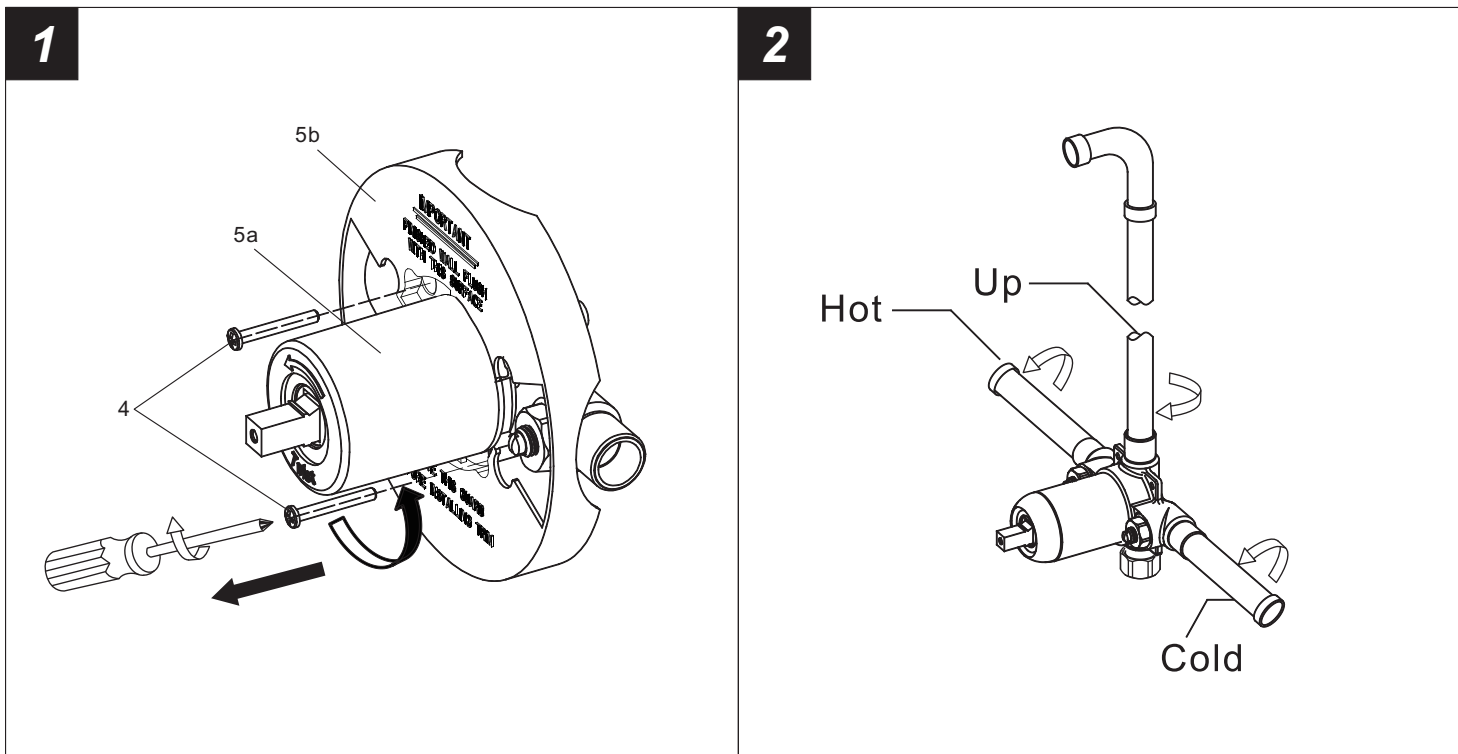


**Attention:**  
for easy installation, you will need:  
1. To read all the installation instruction completely before beginning.  
2. To read all the warning, attention and maintenance information.

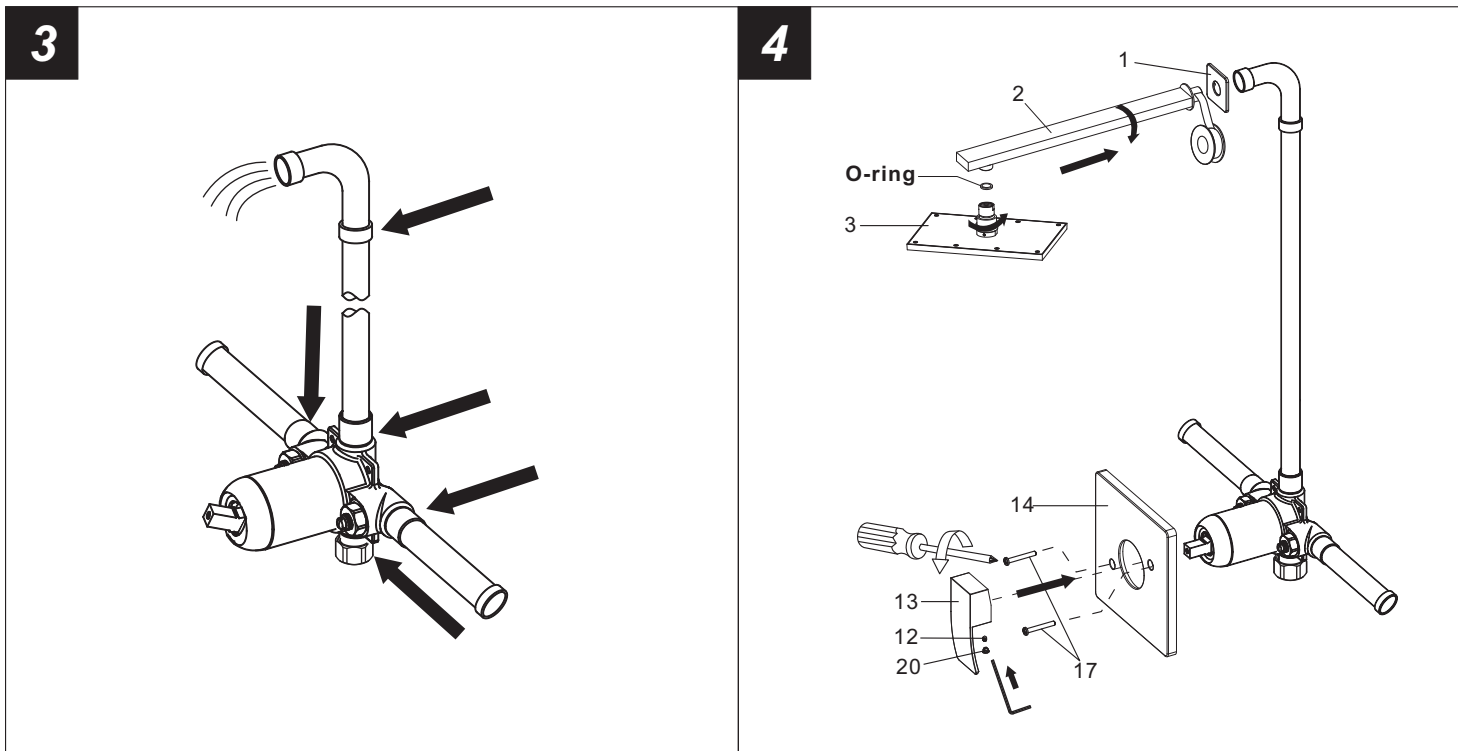
The tools might be applied to the following places:



## Step 1 Faucet installation

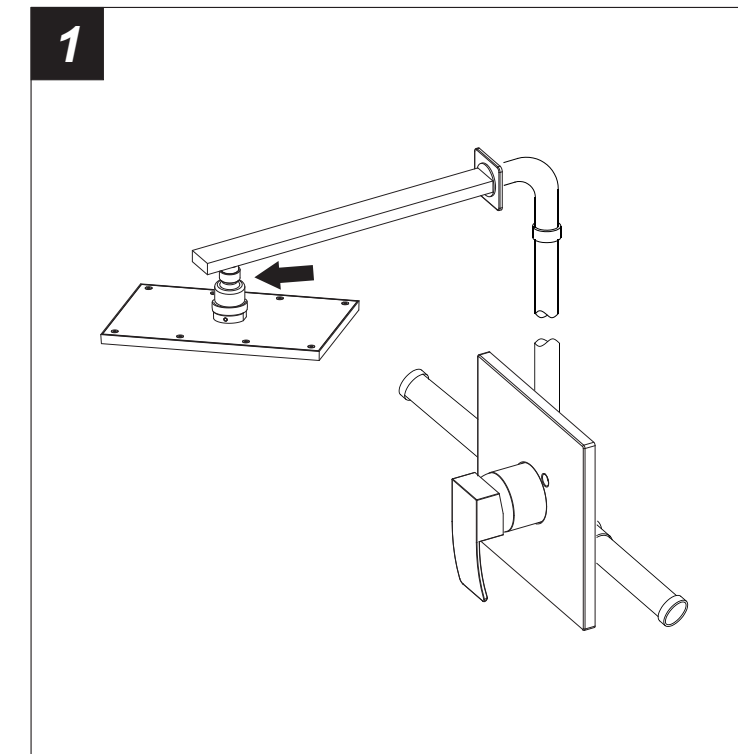


1. Remove the protect cover #5a and take out the screw #4 with the screwdriver, then remove the protect cover #5b.
2. Connect pipes with faucet as photo, pay attention to the connection of hot and cold water supply pipe.



3. Let the water run for one minute. Check all connections for leakage.
4. Apply teflon tap to the shower arm #2, put flange #1 and connect it to water supply pipe, after fixing the shower arm, screw the shower head to the shower arm. **ATTENTION: don't forget the o-ring between the shower arm #2 and the shower head #3.** Put the trim plate #14, fix it with screws #17, tighten them with screw driver, and fix the handle #13 with screw #12, finally put the index #20.

## Step 2 Checking and testing



Check all connections at arrows for leaks, re-tighten it if necessary.

**!**  
BUT DON'T OVERTIGHTEN

## Step 3 Cleaning and care

Daily cleaning and care are required in order to keep the product shining and properly working.

- 1 Clean it with water and dry it with soft cloth.
- 2 Clean the product with gentle liquid or glass cleaner.
- 3 Don't use acid cleaner.
- 4 Don't clean with abrasive material, abrasive paper or knife.