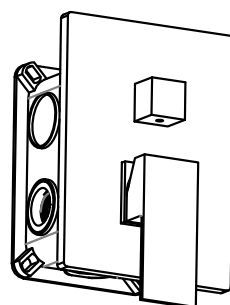
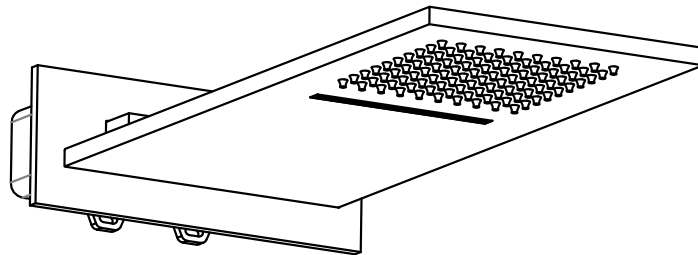


**DATASHEET AND MEASUREMENT**

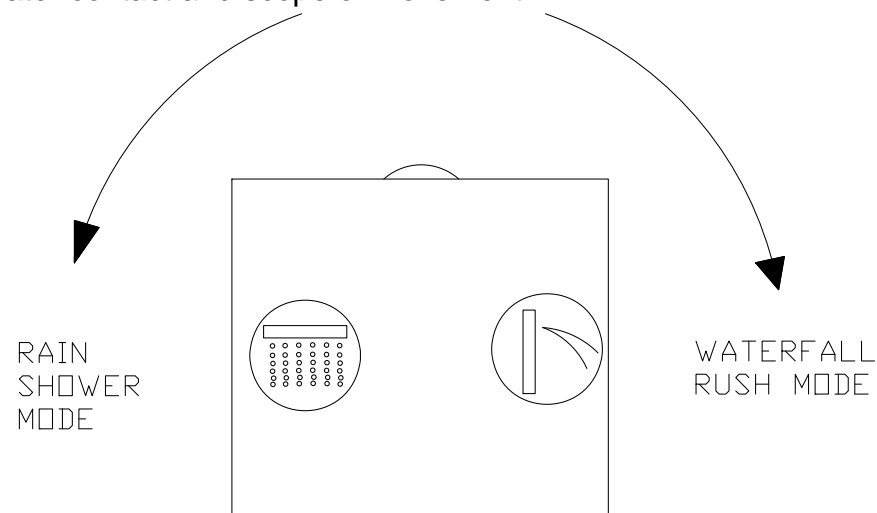


**WATERFALL&RAIN SHOWER DUAL-MODE SHOWER SYSTEM**

## FUNCTIONS AND SPECIFICATION

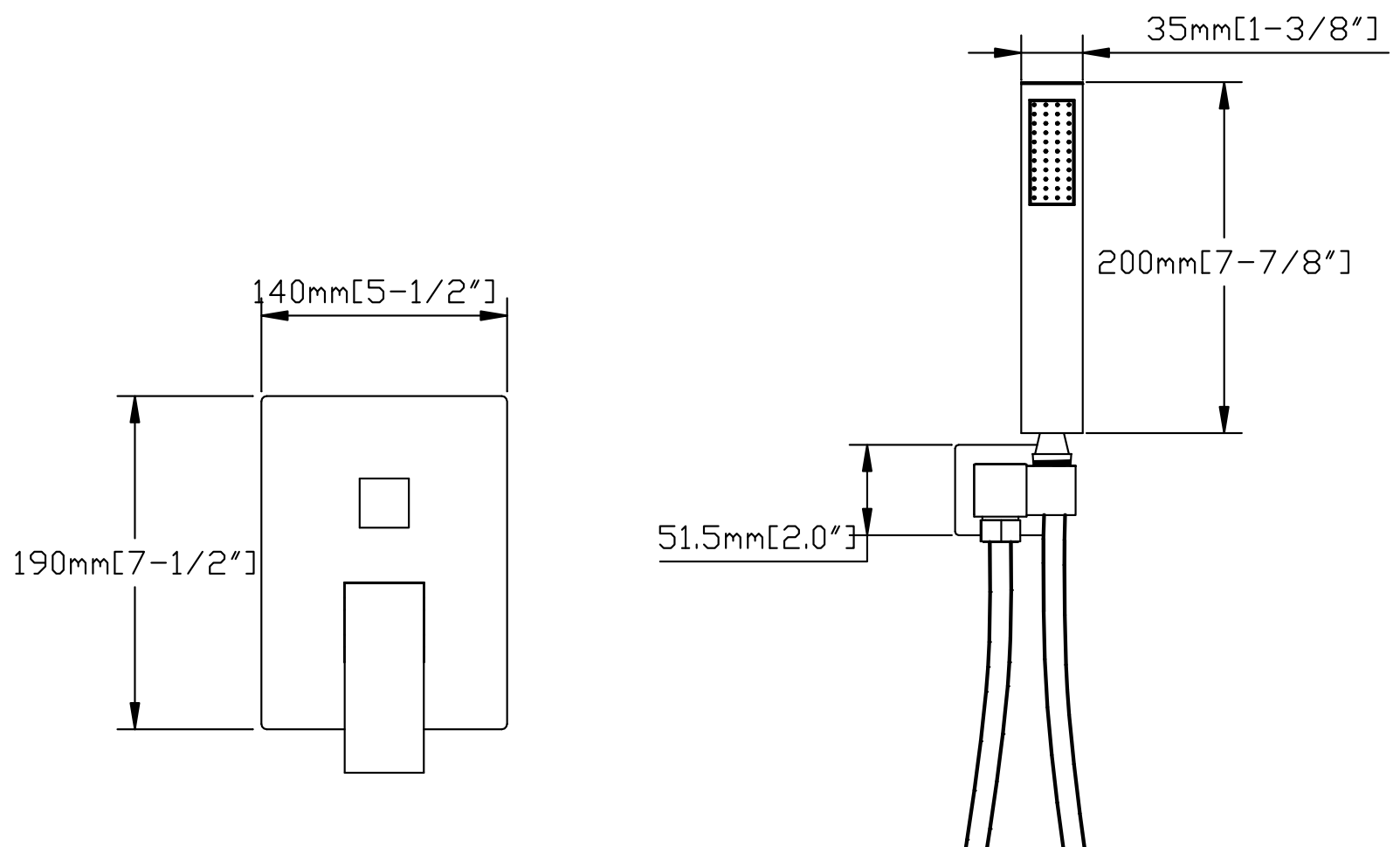
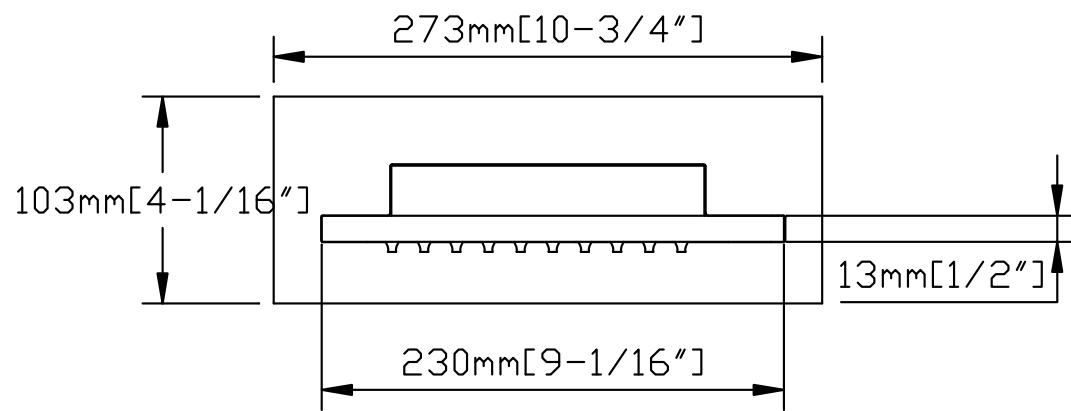
This dual-mode shower system is a special experience-in two ways (rain shower and waterfall rush).as the horizontal rain panel. It captures attention with a completely new look. The flat board, installed flush with the wall, projects well into the room. The result is a completely new shower sensation, where extensive freedom of movement is possible in two spray modes. The 265mm (10-7/16") overhead shower provides you with an extravagantly wide rain shower; the exceptionally wide rain flow flood jet emerges from the shower panel just like a waterfall. Experience shower fun xxi in a completely new way.

The headshower is a horizontal overhead shower panel with two different functions which can be activated individually from the wall: Overhead shower (1. Rain shower) and cascade flood jet (2.waterfall rush shower).All spray modes are directed towards the centre of the room, allowing abundant water contact and scope of movement.

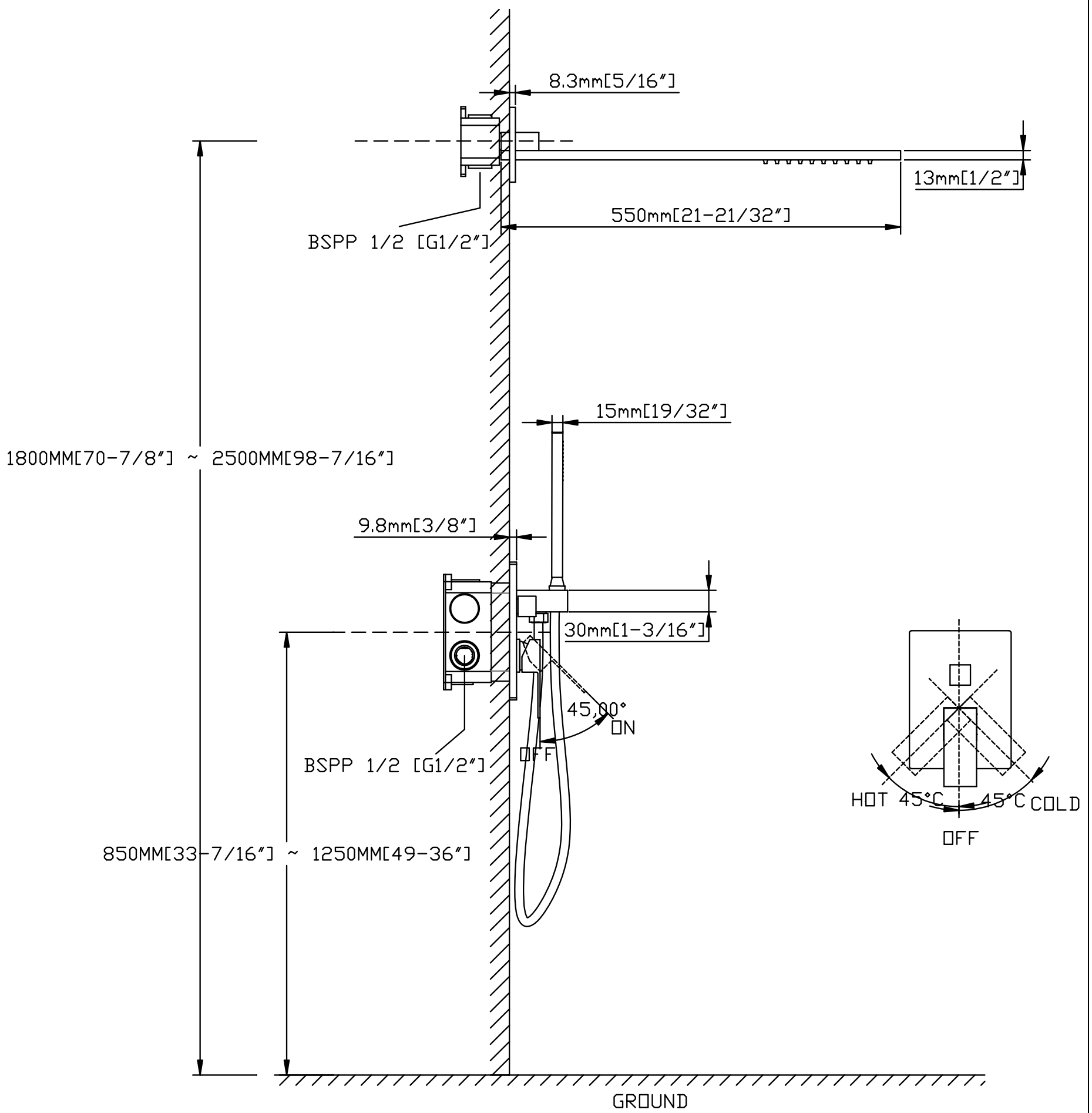


<b>Faucet type</b>	Shower faucet
<b>Feature</b>	Waterfall, wall mount
<b>Theme</b>	Modern, Contemporary
<b>Mounting type</b>	Wall mount
<b>Number of Handles</b>	One
<b>Handles Material</b>	Metal
<b>Handle style</b>	Lever
<b>Faucet Total Height</b>	Adjustable
<b>Showerhead Reach</b>	Rain 520mm[20-1/2 Inch],waterfall 310mm(12-3/16" inch)
<b>Showerhead Width</b>	230mm [9-1/16 Inch]
<b>Showerhead Length</b>	550mm [21-5/8 Inch]
<b>Valve Type</b>	Ceramic disc valve
<b>Faucet Body Material</b>	Brass
<b>Front panel Material</b>	Stainless steel
<b>Showerhead</b>	Waterfall shower
<b>Showerhead flow rate</b>	9.4L/M [ 2.5 GPM ]
<b>Showerhead Material</b>	Stainless steel
<b>Handshower Material</b>	Brass
<b>Handshower Function</b>	Single function
<b>Handshower Length</b>	228mm [ 9.0 Inch ]
<b>Hose included</b>	Yes
<b>Hose Length</b>	1500mm [ 59 inch ]
<b>Net Weight</b>	12.5 KG [ 27.55 lbs]
<b>Gross Weight</b>	13.5 KG [ 29.76 lbs]
<b>Working water press</b>	0.2 ~0.8 Mpa
<b>Flow rate</b>	9.4L/M [ 2.5GPM ]

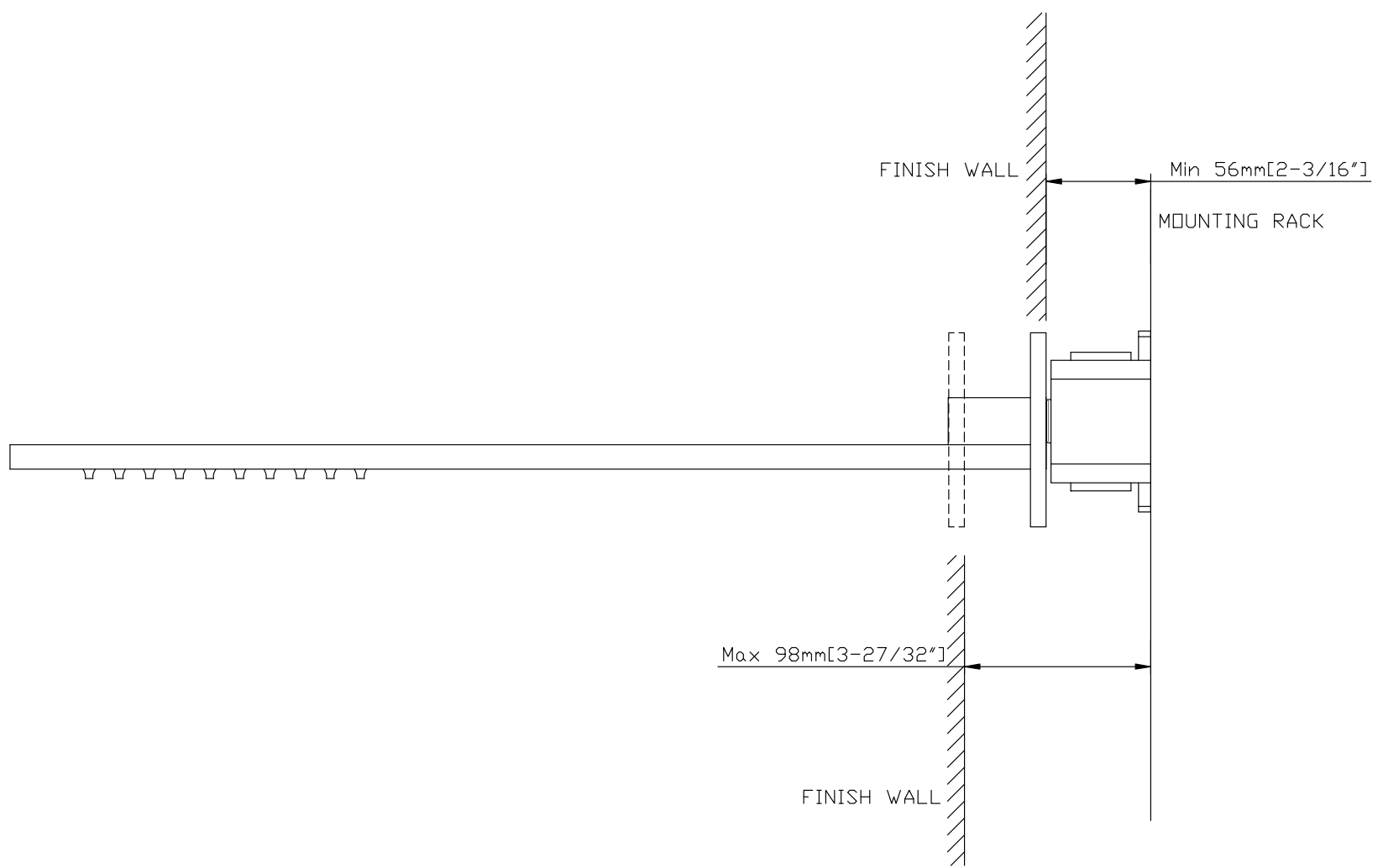
## DIMENSION



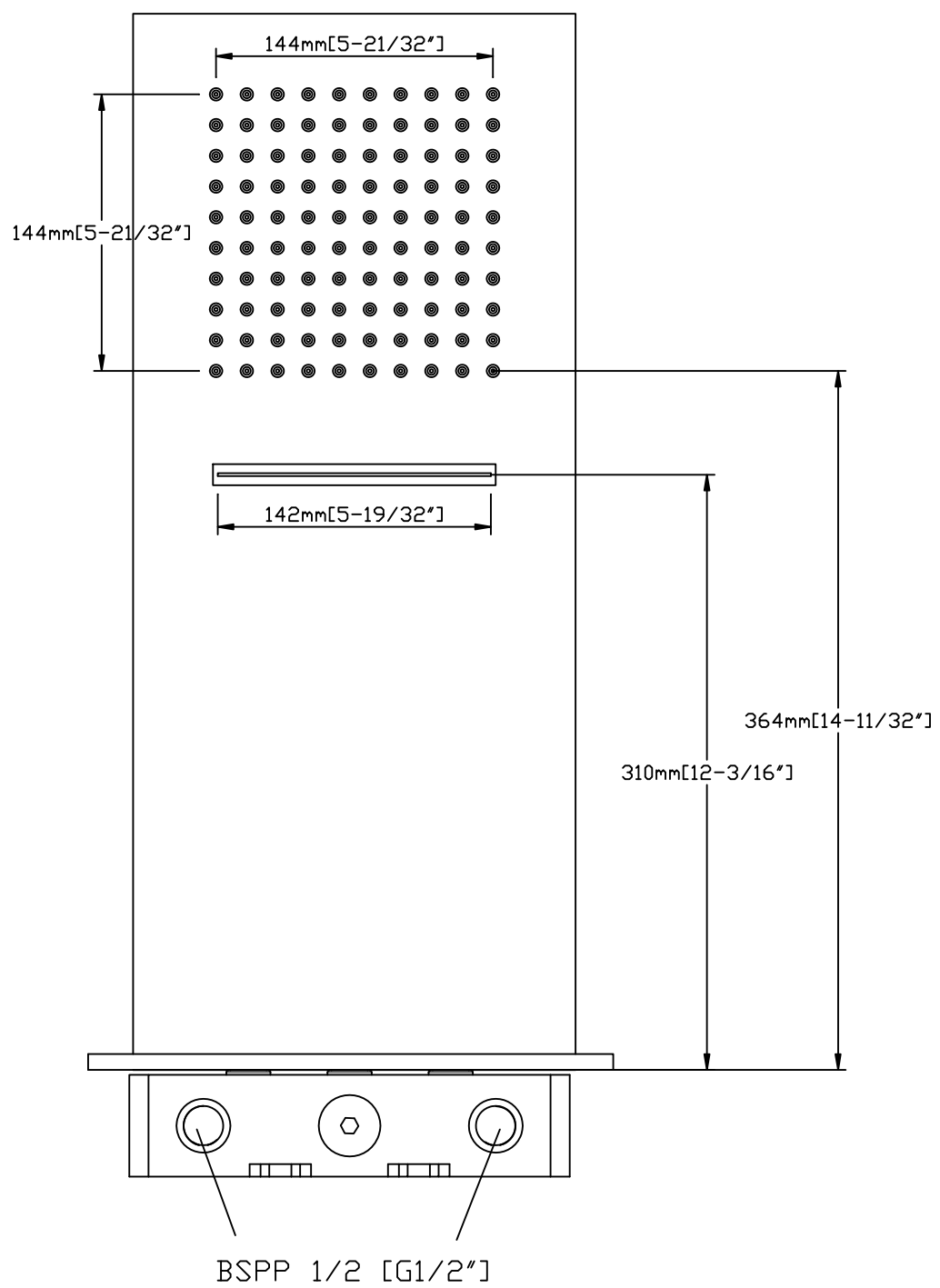
FRONT VIEW OF SHOWER SYSTEM



SIDE VIEW OF SHOWER SYSTEM

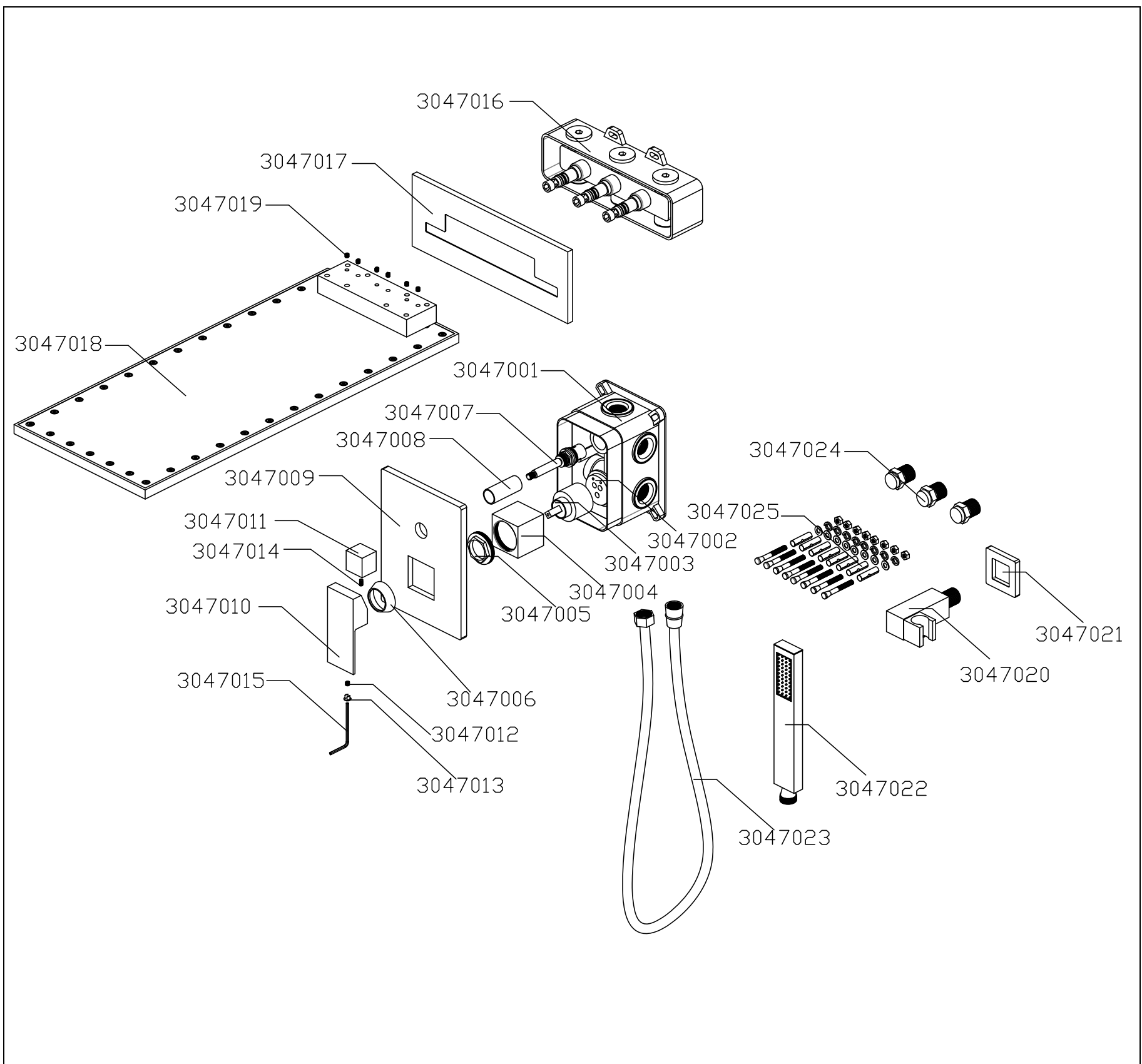


**SIDE VIEW OF SHOWER**



**BOTTOM VIEW OF SHOWER**

## ACCESSORIES LIST



CODE	ITEM NAME	QTY	CODE	ITEM NAME	QTY
3047001	Concealed Box	1 PCS	3047002	Rough-in valve	1 PCS
3047003	cartridge	1 PCS	3047004	Sleeve	1 PCS
3047005	Bonnet nut	1 PCS	3047006	Escutcheon	1 PCS
3047007	Diverter cartridge	1 PCS	3047008	Diverter sleeve	1 PCS
3047009	Escutcheon	1 PCS	3047010	Handle(lever)	1 PCS
3047011	Diverter knob	1 PCS	3047012	set screw	1 PCS
3047013	Screw cover	1 PCS	3047014	Set screw	1 PCS
3047015	Allen wrench	1 PCS	3047016	2-way distributor	1 PCS
3047017	Escutcheon	1 PCS	3047018	Shower	1 PCS
3047019	Set screws	6 PCS	3047020	Hand shower elbow	1 PCS
3047021	Elbow escutcheon	1 PCS	3047022	Hand shower	1 PCS
3047023	Shower flexible hose	1 PCS	3047024	G1/2" plug	3 PCS
3047025	Metal Anchor set	8 PCS			



**HONGKONG SUMERAIN SANITARY INDUSTRY CO..LIMITED**

Address: ROOM 1018, HOLLYWOOD PLAZA 610 NATHAN ROAD MONGKOK, KL  
Factory Address: Shuikou Industrial Park, Kaiping City, Guangdong Province, China (Mainland)  
Tel: +86-750-2731579  
Fax: +86-750-2715258  
Web: [www.sumerain.com](http://www.sumerain.com)  
E-mail: [supports@sumerain.com](mailto:supports@sumerain.com)

**SUMERAIN INTERNATIONAL GROUP – AMERICA Branch**

Address: 13455 Harper Dr.  
Saratoga, CA 95070  
USA  
Tel: +1-408-867-8884  
FAX: +1-408-867-4272  
E-mail: [us@sumerain.com](mailto:us@sumerain.com)

**SUMERAIN Verkaufsniederlassung in Deutschland [EUROPE]**

Adresse: Der Ecke, Moellendorffstr. 108,  
10367 Berlin  
Deutschland  
Tel: +49 (0)30/23975898  
E-mail: [de@sumerain.com](mailto:de@sumerain.com)