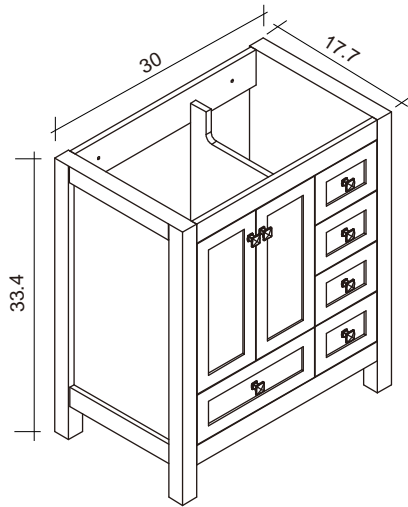


# INSTALLATION INSTRUCTIONS

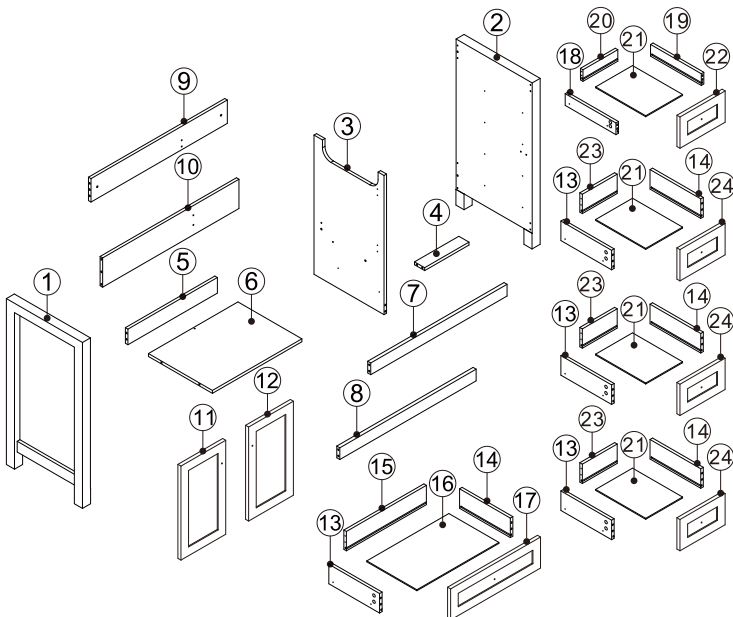
\*The vessel and faucet set is not included

# DIMENSIONS

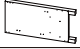

















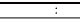








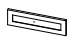



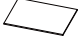

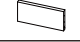
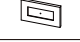
Unit : inch



# ASSEMBLY DIAGRAM

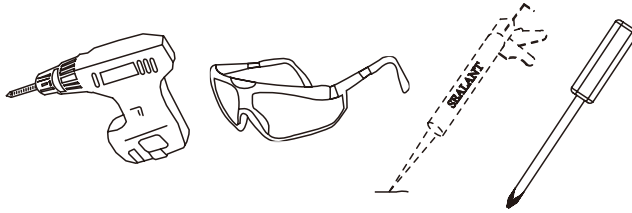


# PARTS LIST

PARTS LIST			HARDWARE LIST		
No.	Description	QTY	No.	Description	QTY
1		1	25	 Three-in-one Connector	53
2		1	26	 Wood Plug	10
3		1	27	 Bracket	1
4		1	28	 Screws M4x14	77
5		1	29	 Slider	10
6		1	30	 Hinges	2
7		1	31	 Hinges	2
8		1	32	 DoorHandle Screws(M4x22)	2
9		1		 Handle Screws(M4x18)	5
10		1	33	 Screws For Fix On The Wall M4x40	2
11		1	F	 ScrewsM4x35	20
12		1			
13		4			
14		4			
15		1			
16		1			
17		1			
18		1			
19		1			
20		1			
21		4			
22		1			
23		3			
24		3			

**CAUTION:** Please confirm the parts list before installation

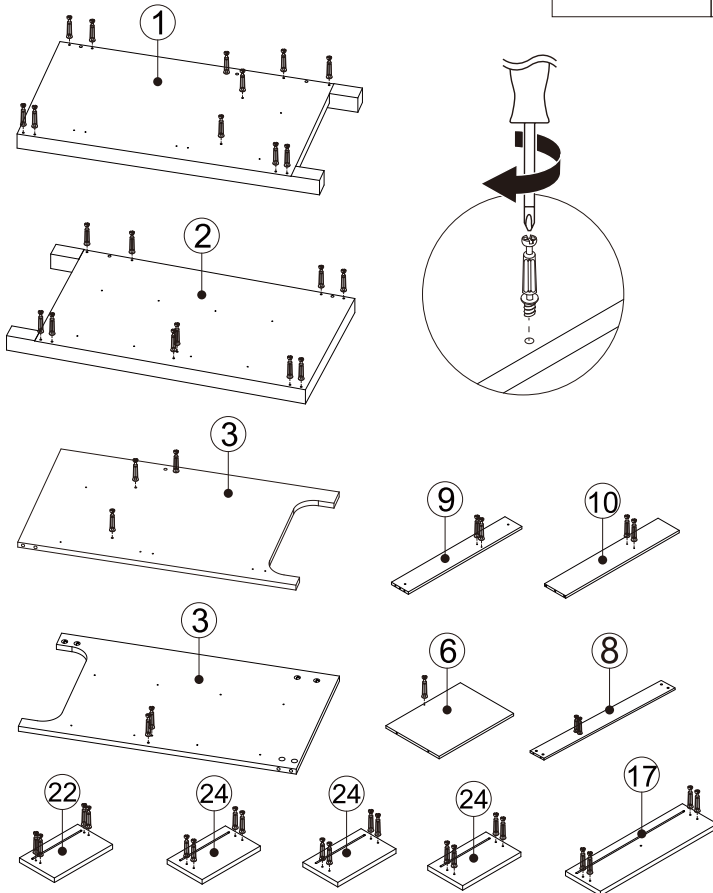
# YOU MAY NEED (NOT SUPPLIED)



## INSTALLATIONS



### STEP 1

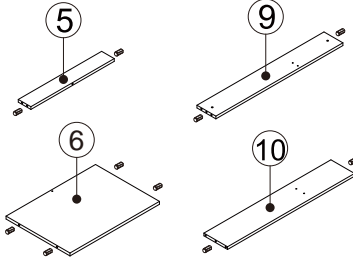
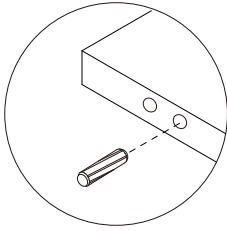
HARDWARE LIST	
25 	53PCS
	



● Insert the Cam Screw into the shelves above.



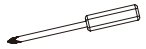
## STEP 2

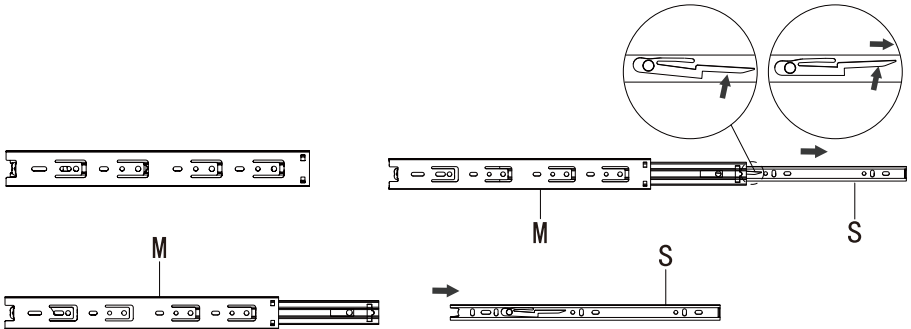
HARDWARE LIST		
26		10 PCS
		



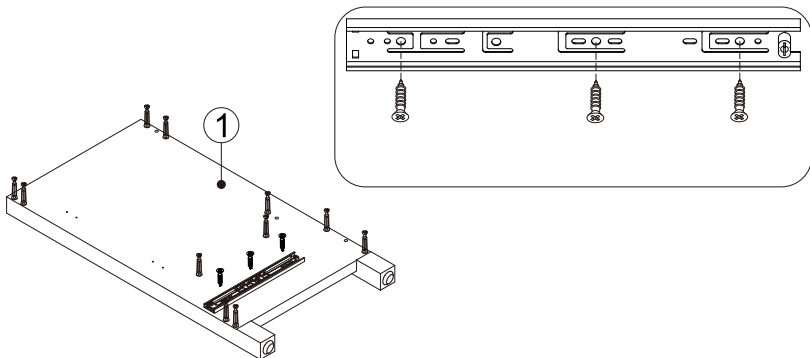
- Insert the wooden dowel pins into the shelves.

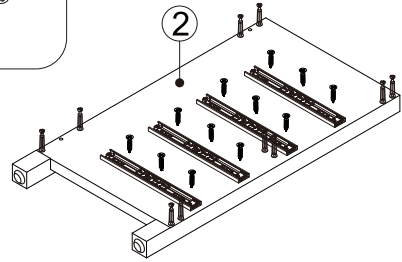
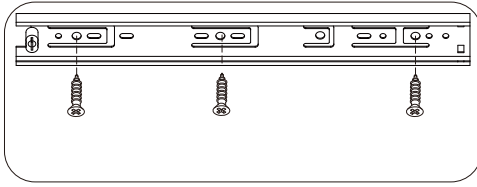
## STEP 3

HARDWARE LIST		
29		5 PCS
28		15 PCS
		





- Keep pressing here, then pull out to divide the slide.

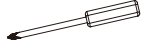
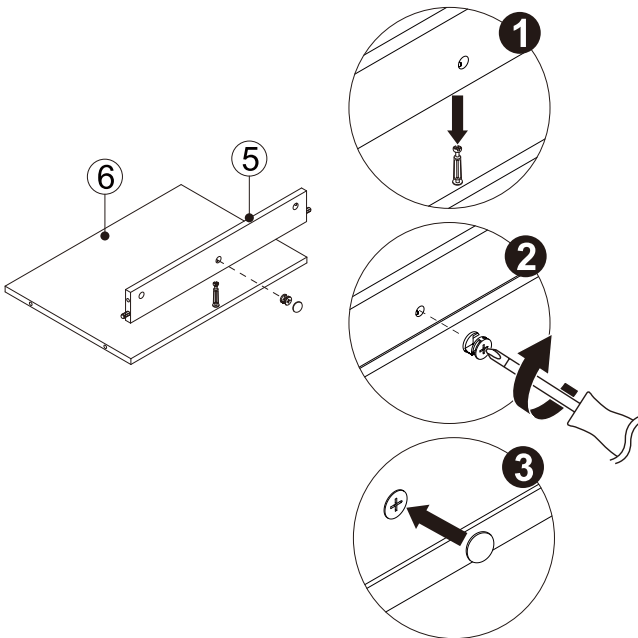




- Refer to the illustration to fix the Slide rails to the board #1 and #2 with screws.

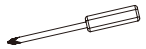
## STEP 4

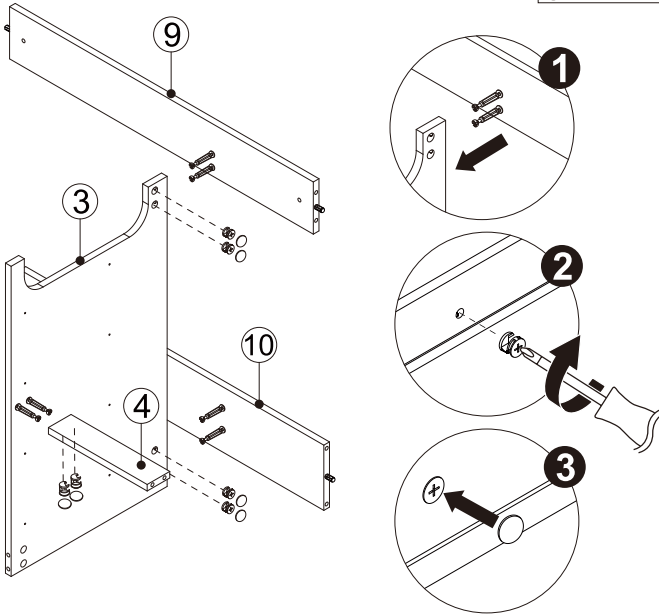
HARDWARE LIST		
25		1PCS
25		1PCS

- Insert shelves #5 and #6 downwards to their corresponding positions. Then tighten the cam lock with the cover.


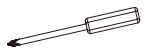

## STEP 5

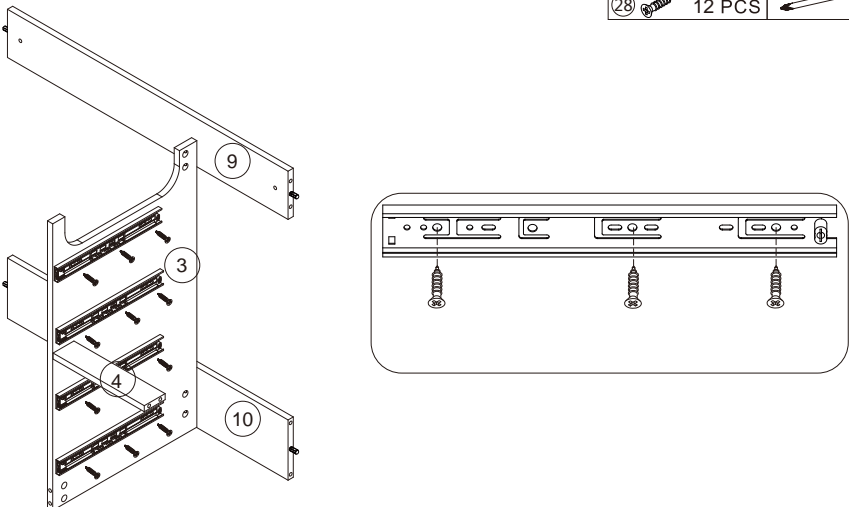
HARDWARE LIST			
25		6 PCS	
25		6 PCS	



- Refer to the illustration, Insert the boards #9, #10, #4 in to the board #3. Then tighten the cam lock with the cover.

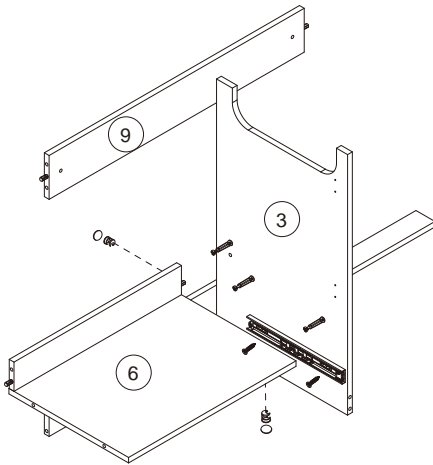
## STEP 6

HARDWARE LIST			
29		4 PCS	
28		12 PCS	

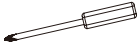
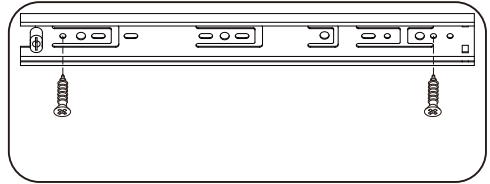


- Refer to the illustration, to fix the Slide rails to the shelf with screws.

## STEP 7

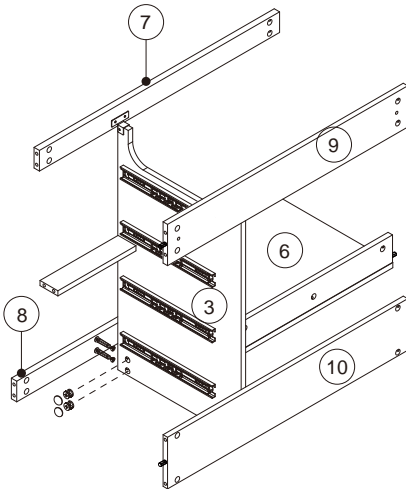


HARDWARE LIST		
29		1 PCS
25		3 PCS
25		3 PCS
28		2 PCS

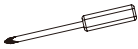
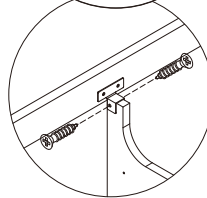
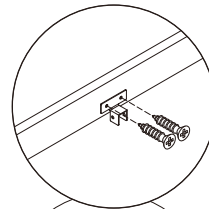



- Refer to the illustration, to fix the Slide rails to the shelf with screws, already assembled #5, #6 on the shelf. Then tighten the cam lock with the cover.

## STEP 8



HARDWARE LIST		
27		1 PCS
25		2 PCS
25		2 PCS
28		4 PCS

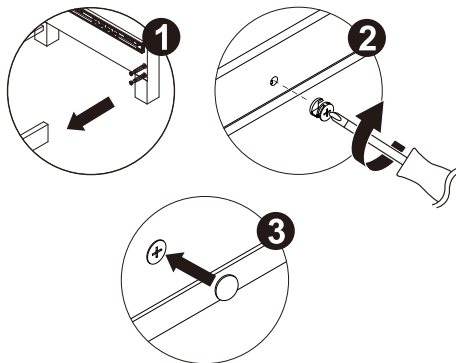
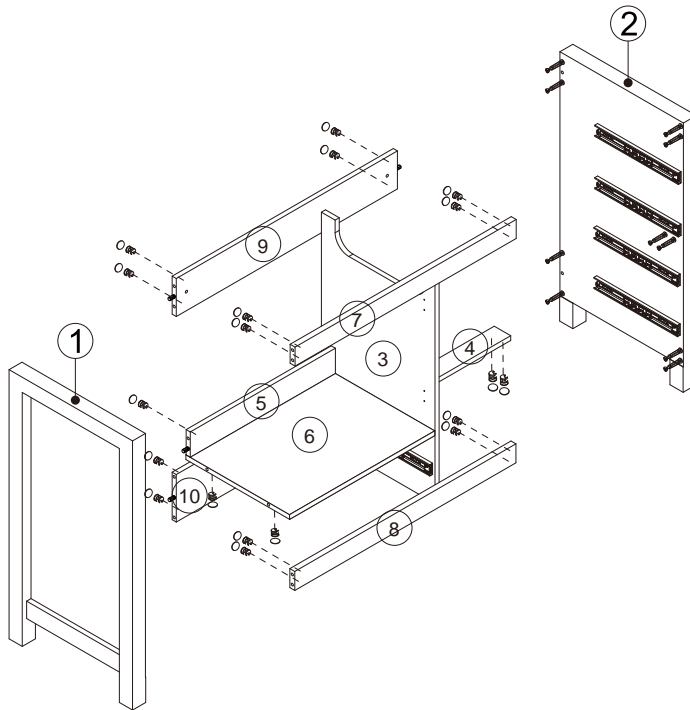
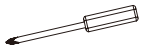



Please note: The angle steel is installed on panel (7), on the side where the distance between the holes is shorter.

- Refer to the illustration, lock the angle iron on the board #7 by screws, then connect to the shelf #3 with screws. install shelf #8 on the shelf #3. Then tighten the cam lock with the cover..

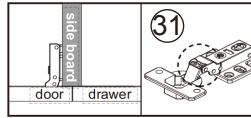
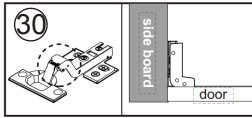
# STEP 9

HARDWARE LIST		
25		21PCS
25		21PCS

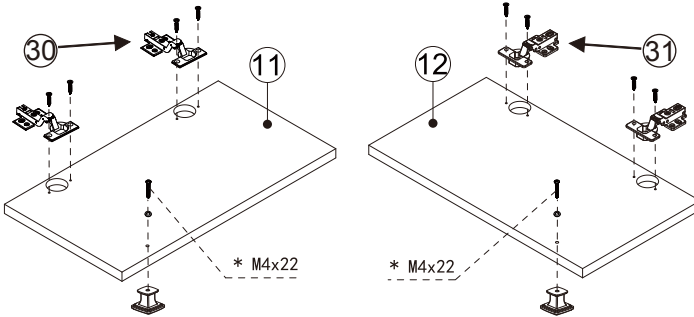
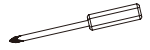


- Refer to the illustration, already assembled #4,#5,#6,#7,#8,#9,#10 on the shelf #1 and #2. Then tighten the cam lock with the cover.

# STEP 10



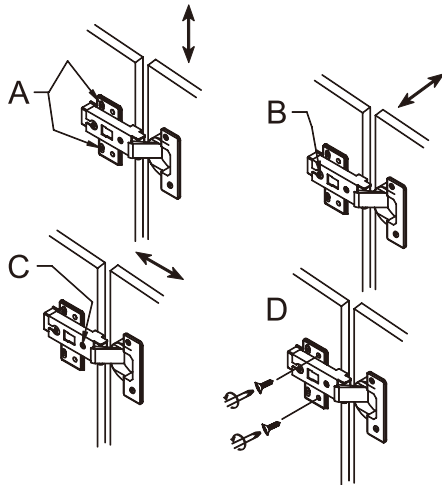
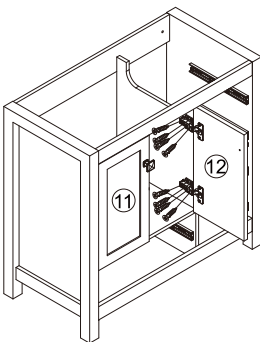
HARDWARE LIST		
30		2PCS
31		2PCS
32		2PCS
28		24PCS
32		2PCS



**Note:** see step 11 to adjust the door's position.

- Use I Screws to install the handle and apply 28 Screws to fix the hinge on the shelf #11. Then use 28 Screws to connect the hinge bracket to the cabinet. Repeat these steps for the other door.


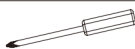
# STEP 11

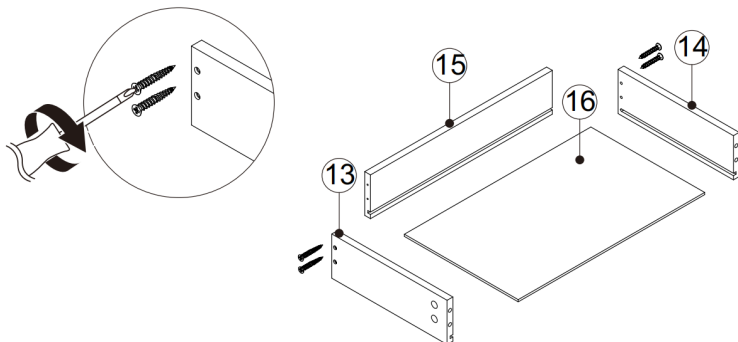


- A. Height adjustment
- B. Depth adjustment
- C. Side to side adjustment
- D. After adjustment A/B/C, tighten screws.

- To ensure proper cabinet alignment, refer to the above illustrations for instructions about adjusting the cabinet height, depth and lateral movement.



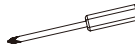
## STEP 12

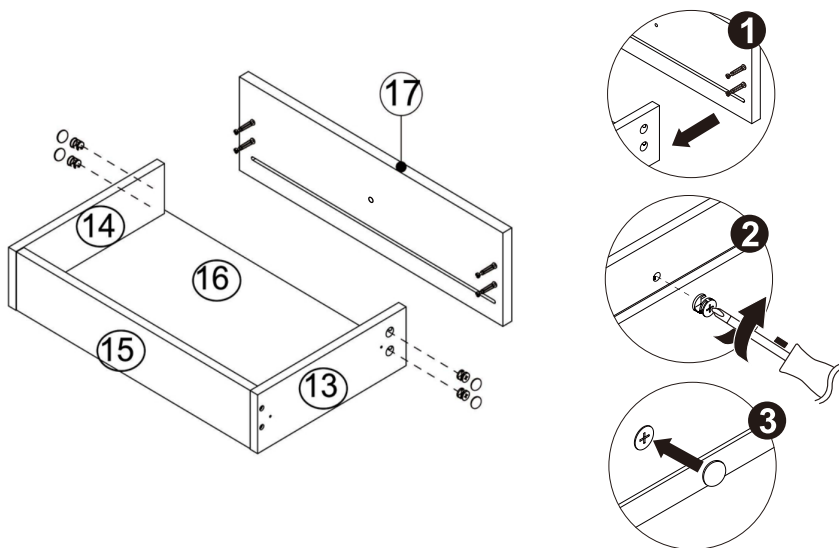
HARDWARE LIST		
F		4PCS
		



- Refer to the illustration, Connect the side plate #13, # 14 with the back plate #15 with screws. Then insert the plate #16 into the finished shelf.





## STEP 13

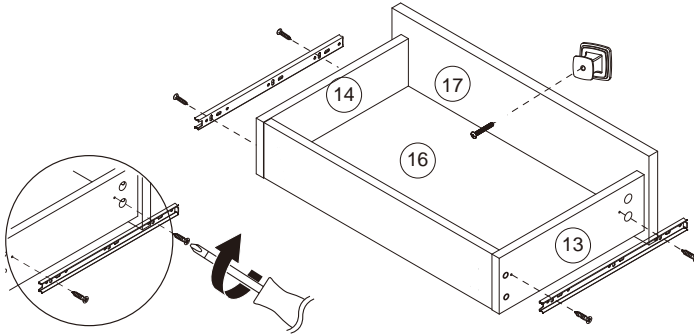
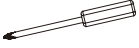
HARDWARE LIST		
25		4PCS
25		4PCS
		



- Refer to the illustration, Draw the panel #17 is inserted into the prepared plate, Then tighten the cam lock with the cover.


## STEP 14

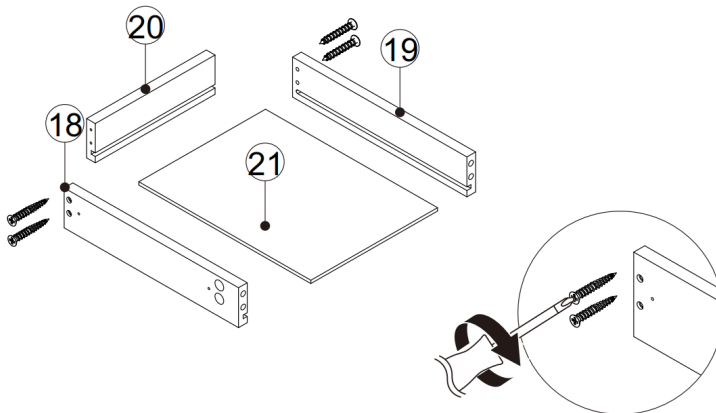
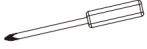
HARDWARE LIST		
32		1PCS
29		2PCS
28		4PCS
32		1PCS



- Refer to the illustration, Apply Screws to fix the slides on the boards # A13,# A14. Use I Screws to install the handle.



## STEP 15

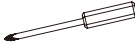
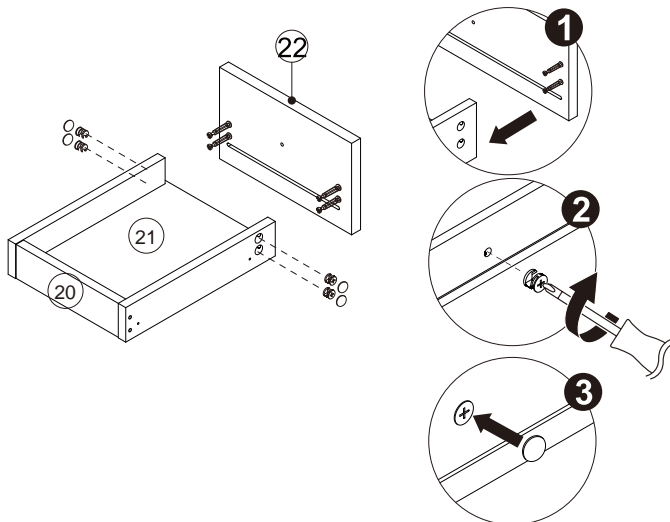
HARDWARE LIST		
F		4PCS



- Refer to the schematic diagram and use screws to connect side panels #18 and #19 with the back panel #20. Then insert panel #21 into the completed drawer.





# STEP 16

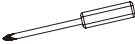
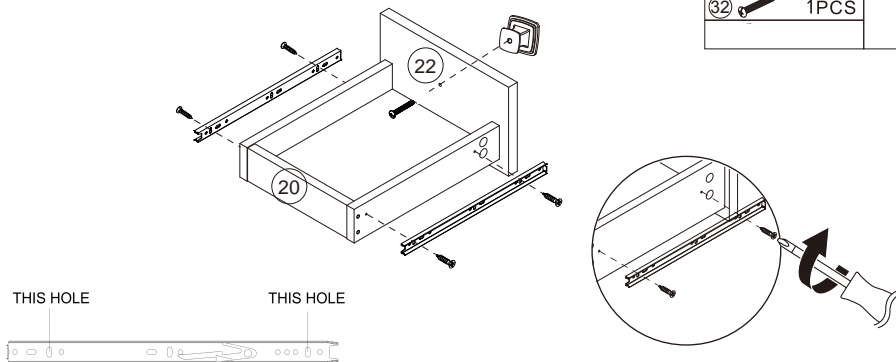
HARDWARE LIST		
25		4PCS
25		4PCS

- Refer to the illustration, Draw the panel #22 is inserted into the prepared plate, Then tighten the cam lock with the cover.

# STEP 17

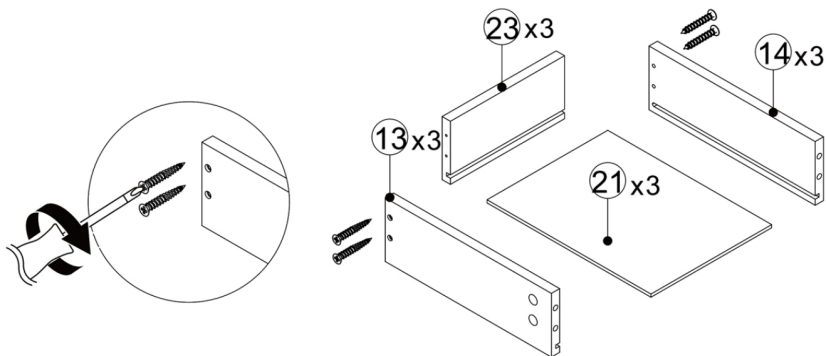
HARDWARE LIST		
32		1PCS
29		2PCS
28		4PCS
32		1PCS

- Refer to the schematic diagram. Use screw #32 to pass through # 22 and connect and fix it to the handle. Then use screws to fix the track to the drawer.

## STEP 18

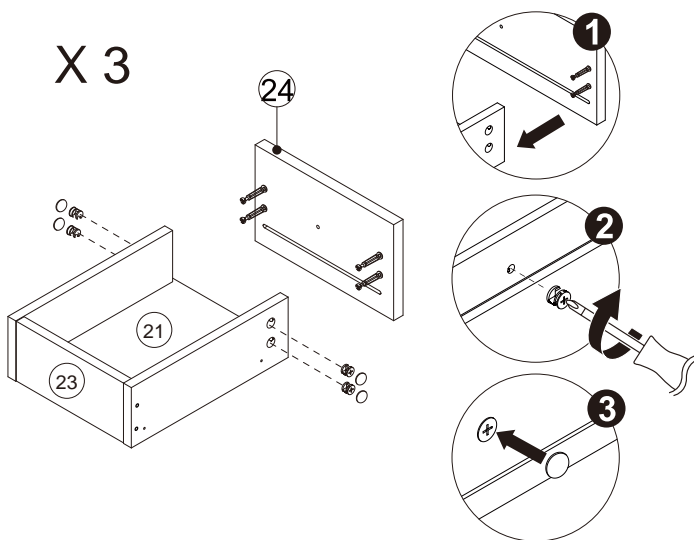
HARDWARE LIST		
F		12PCS
		



- Refer to the illustration, Connect the side plate #13, #14 with the back plate #23 with screws. Then insert the plate #21 into the finished shelf.





## STEP 19

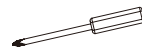
HARDWARE LIST		
25		12PCS
25		12PCS
		



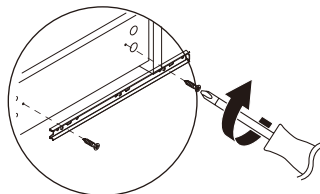
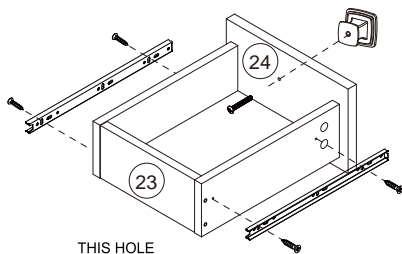
- Refer to the illustration, Draw the panel #24 is inserted into the prepared plate, Then tighten the cam lock with the cover.

## STEP 20

HARDWARE LIST		
32		3PCS
29		6PCS
28		12PCS
32		3PCS

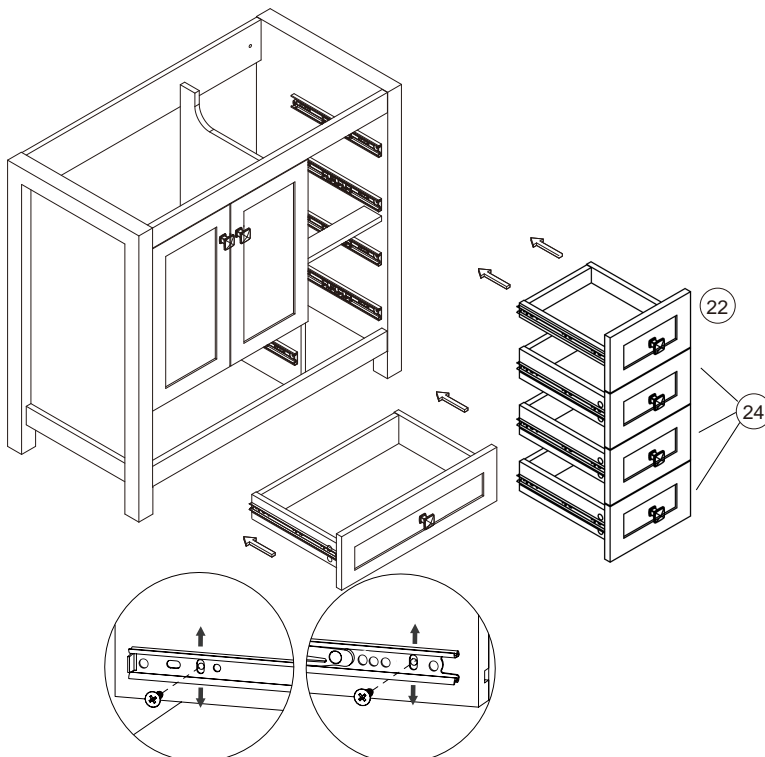


X 3







- Refer to the schematic diagram. Use screw #32 to pass through # 24 and connect and fix it to the handle. Then use screws to fix the track to the drawer.

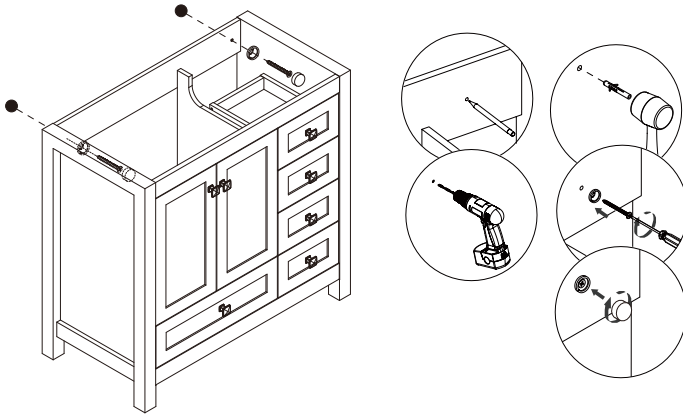
## STEP 21



- If the drawers are not in the same level, please adjust the screws in the drawer box.
- Assembled drawers are loaded onto cabinets.

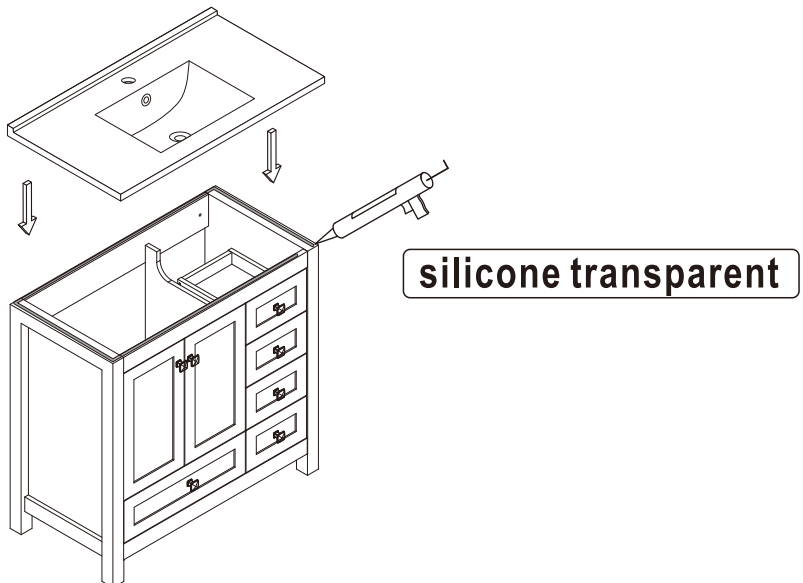
## STEP 22

HARDWARE LIST		
33		2PCS
33		2PCS
33		2PCS
33		2PCS



- Refer to the illustration, Draw the spacing between the walls on the cabinet, punch holes in the wall, and fix the cabinet to the wall with screws. Then tighten the nut cover.

## STEP 23



## CARE AND CLEANING

1. Many cleansers contain abrasive and chemical substance which is not suitable for cleaning stainless steel, enamel, plating or plastic products. You may use mild cleansers or soaps to clean the surfaces. Wipe any splashes of cleaner solutions from the surface with a clean soft cloth.
2. Maintain ventilation in the bathroom and separate the dry area from the damp one if conditions permit. Try to open the door and windows of the bathroom to maintain adequate ventilation.
3. This cabinet is built to withstand normal bathroom humidity. For best results, keep this vanity dry and take necessary steps to minimize bathroom humidity by opening windows and doors and using the exhaust fan (if available).
4. To maintain the cabinet door, clean and wipe the door regularly with a soft cloth. Wipe condensation with a dry, soft cloth. Keep away from high temperatures.
5. Please do not sit, lean or step on the basin cabinet.



Thank you very much for purchasing from us.

We have always been trying to provide the best service and reliable products for every customer.

We sincerely hope you will be satisfied with our products and leave us FIVE STARS and POSITIVE feedback/ review in our page.

However, accident may happen sometimes, please contact us to resolve any issue before leaving a negative feedback.

Many thanks and welcome to our shop again!