

NOTICE

- * Please make sure that you have all parts indicated and they are in good condition before you begin assembly of this item. Refer to part list and hardware list below for guidance.
- * This item should be assembled on a soft surface to prevent scratching the finish during assembly.
- * This item may require periodic tightening.
- * If you are having difficulty, our friendly Customer Care team is always here to help. Please email customersupport@safavieh.com

PREPARATION

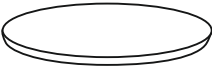

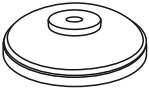
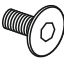

- * Before beginning assembly of product, make sure all parts are present. Compare parts with part contents list and hardware contents list.
- * If any part is missing or damaged, do not attempt to assemble the product.
- * Estimated Assembly Time: 10 minutes.
- * Tools Required for Assembly (included): Allen key

CARE AND MAINTENANCE

* WOODEN FURNITURE CARE

- Dust regularly with a soft dry cloth, Never use oiled or treated cloths on lacquered finishes. Some finishes can be wiped with a damp (not wet) cloth followed at once by rubbing with a dry cloth to remove fingerprints and smudges.
- For persistent spots gently clean with a soft cloth and a solution of water and mild soap make sure to wipe dry.
- Use adhesive felt pads coasters and placements to protect your furniture.

Part List and Hardware List

PIECE	DESCRIPTION	PICTURE	QUANTITY
A	Table Top		1 X
B	Middle Rod		1 X
C	Table base		2 X
HW1	Allen bolt (M6x32mm)		1 X
HW2	Allen key (5mm)		1 X

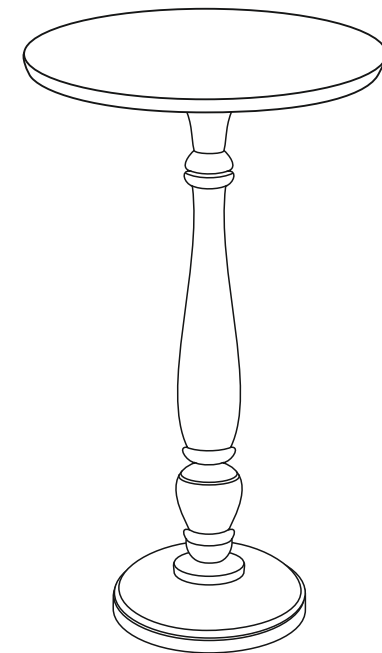


SAFAVIEH

FURNITURE

Model # ACC3266A

Product Dimensions: 12.5"W x 12.5"D x 24.5"H



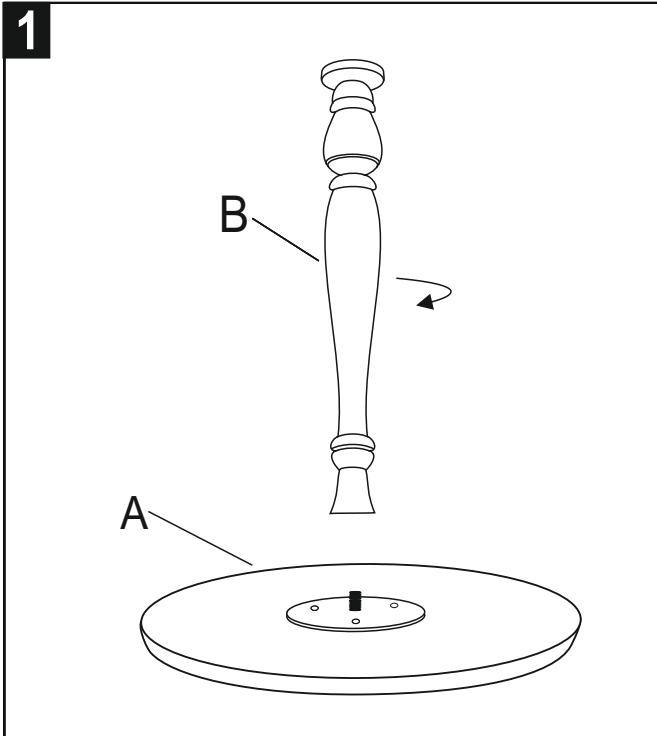
WARNING



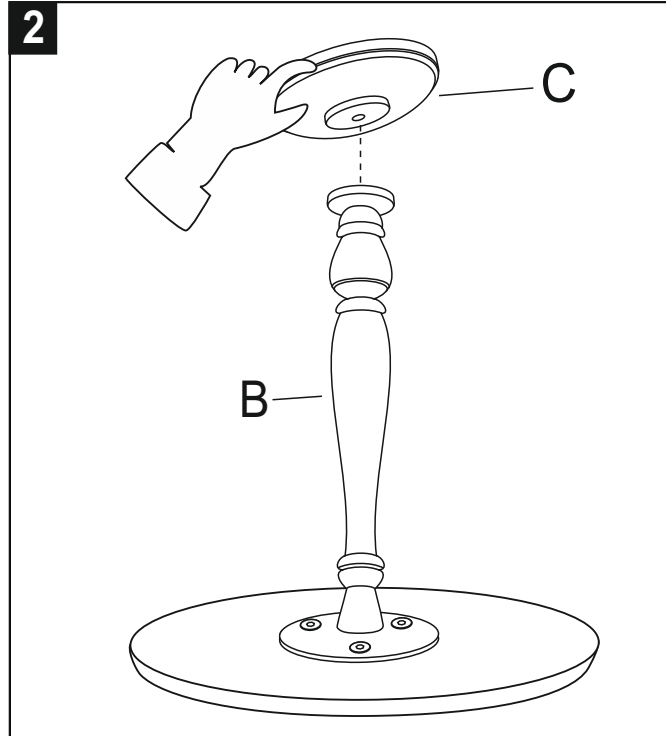
Weight Capacity- 16.5 LBS
Warning : Do not stand on Table
Warning : Do not over torque bolts.

PREPARATION

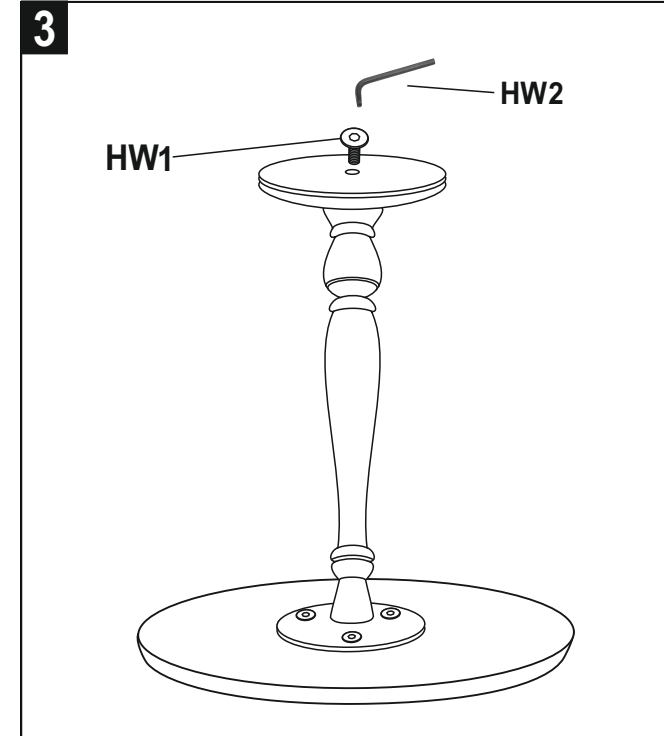
- * Before beginning assembly of product, make sure all parts are present. Compare parts with part contents list and hardware contents list.
- * If any part is missing or damaged, do not attempt to assemble the product.
- * Estimated Assembly Time: 10 minutes.
- * Tools Required for Assembly (included): Allen key
- * If you are having difficulty, our friendly Customer Care team is always here to help. Please email customersupport@safavieh.com



Step 1:
Place the Table Top (A) upside down on a soft surface assemble the Middle Rod (B) to the Table top (A) as shown



Step 2:
Assemble the Middle Rod (B) and Table base (C) together as shown in the picture.



Step 3:
Screw the Allen Bolt (HW1) at the bottom of Table base (C) using an Allen key (HW2).