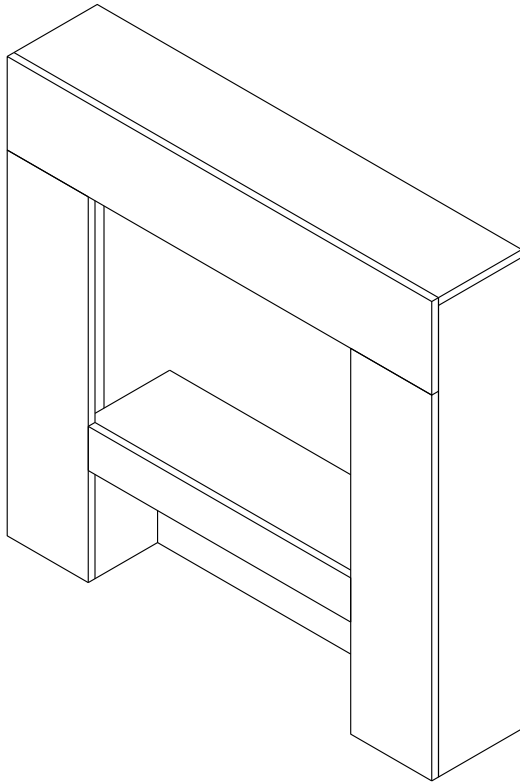
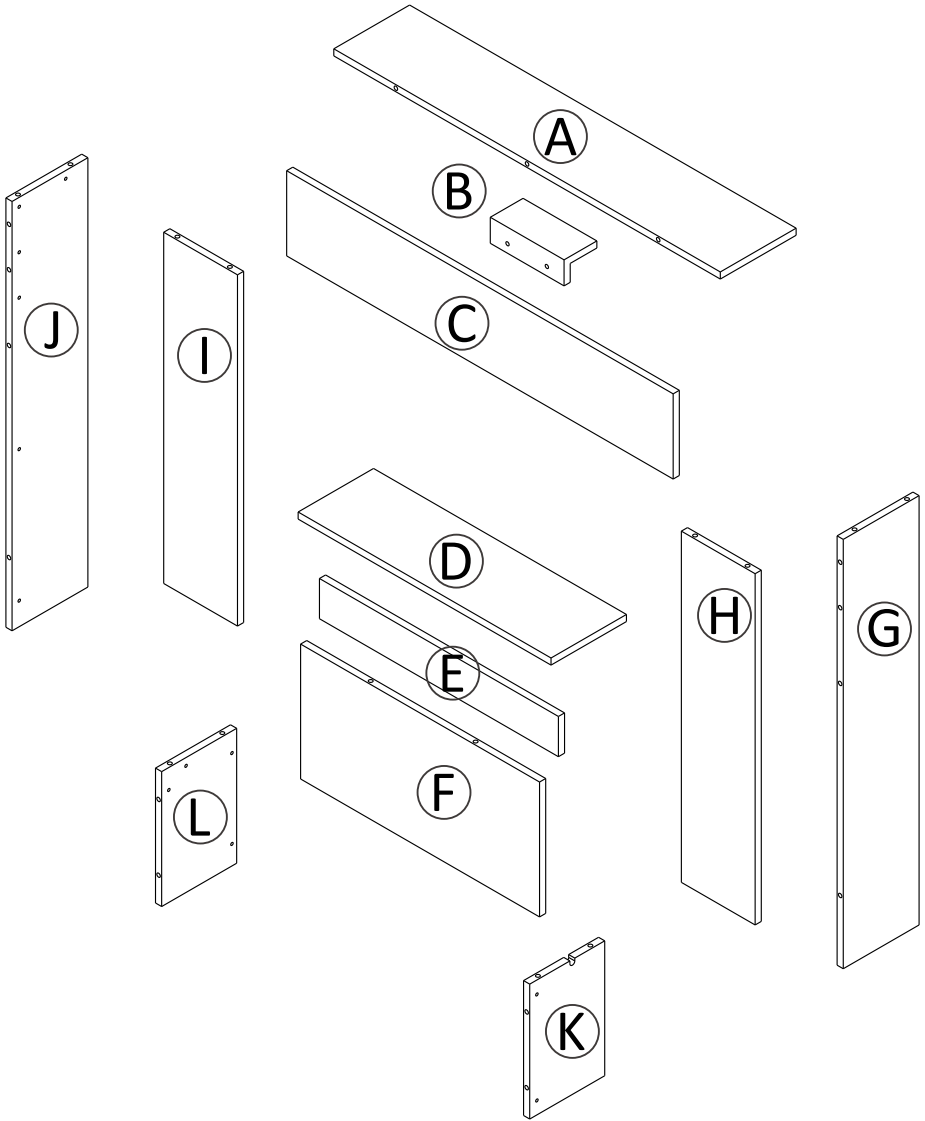


# FIREPLACE MANTEL

## ASSEMBLY INSTRUCTIONS

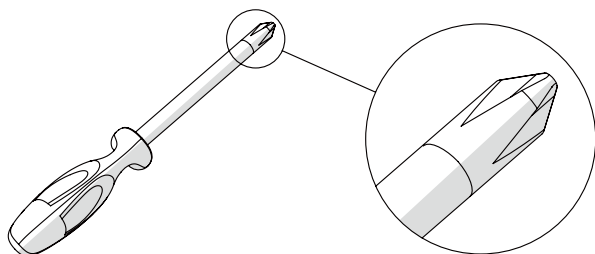


# PARTS LIST


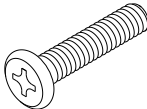
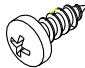

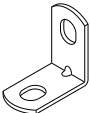
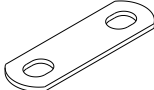
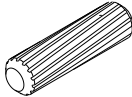

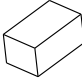
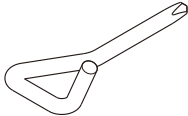




# TOOLS REQUIRED

A screwdriver will be needed

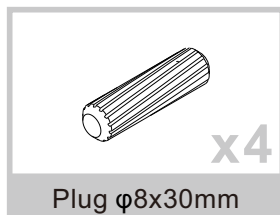
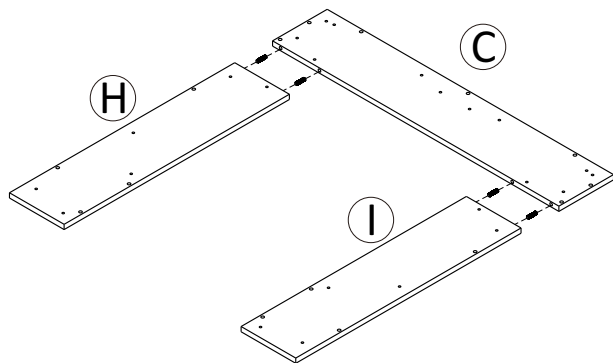


# ACCESSORIES

 Screw M6x12mm <b>X70+1</b>	 Screw M6x28mm <b>X2+1</b>	 Screw ST4x12mm <b>X8+1</b>
 Washer <b>X2+1</b>	 L Bracket <b>X33+1</b>	 Flat Bracket <b>X2+1</b>
 Plug ø8x30mm <b>X35+1</b>	 Clamp <b>X4</b>	 Foam <b>X4</b>
 Screwdriver <b>X1</b>	 Moodlight Strip <b>X1</b>	 Connect Wire <b>X1</b>

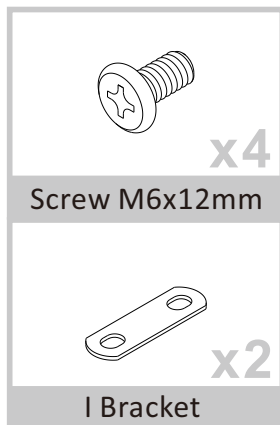
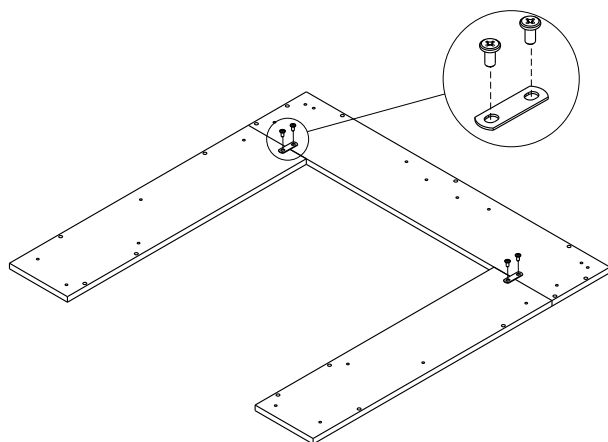
# ASSEMBLY INSTRUCTIONS

## STEP 1



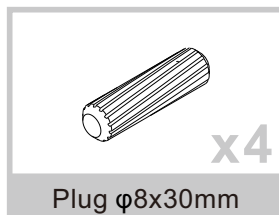
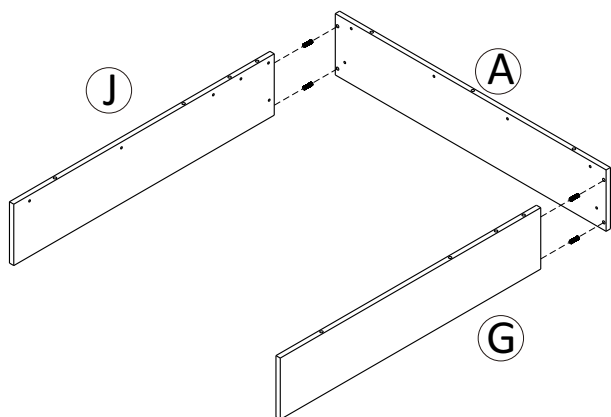
Carry out these assembly steps on both sides.

## STEP 2



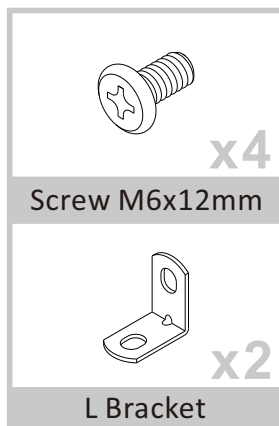
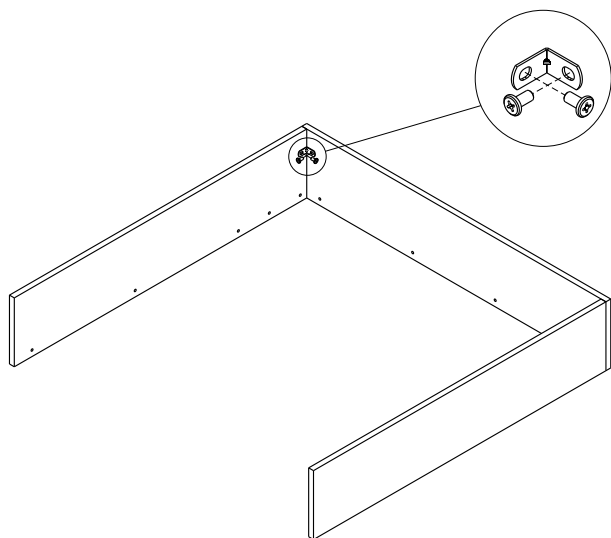
Carry out these assembly steps on both sides.

## STEP 3



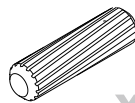
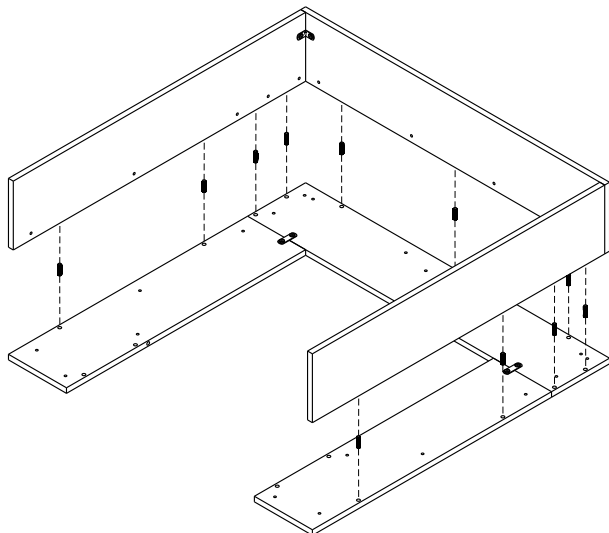
Carry out these assembly steps on both sides.

## STEP 4



Carry out these assembly steps on both sides.

# STEP 5

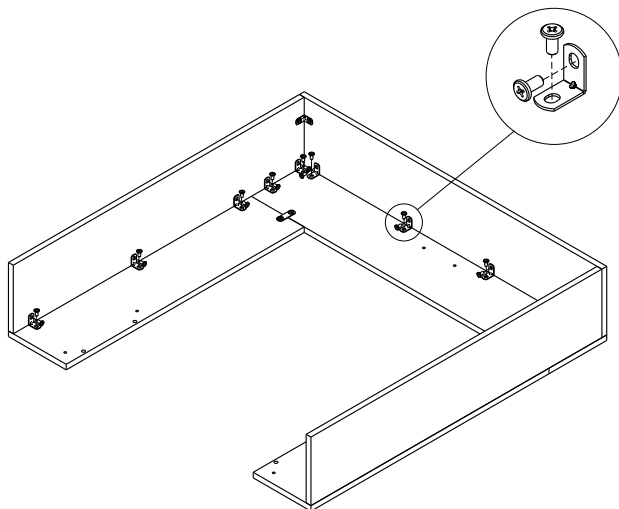


x11

Plug  $\phi 8 \times 30 \text{mm}$

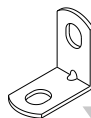
Carry out these assembly steps on both sides.

# STEP 6



x28

Screw M6x12mm

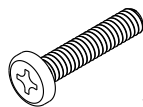
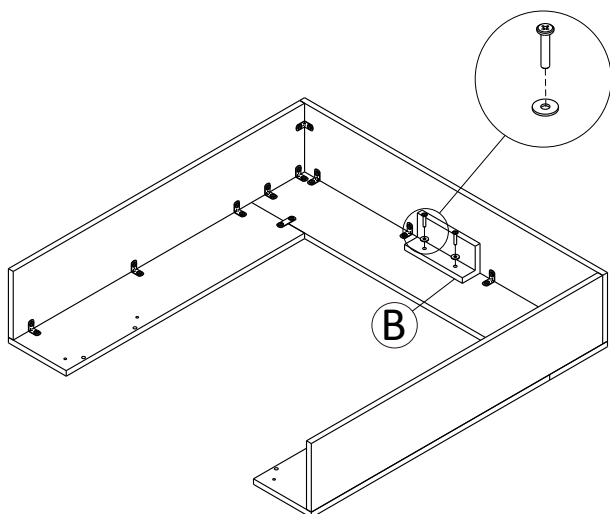


x14

L Bracket

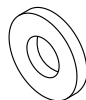
Carry out these assembly steps on both sides.

# STEP 7



x2

Screw M6x28mm

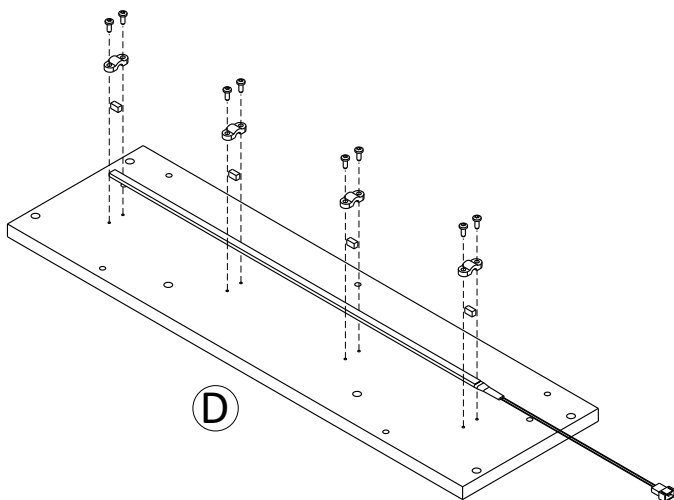


x2

Washer

Carry out these assembly steps on both sides.

# STEP 8



x4

Clamp



x4

Foam



x8

Screw ST4x12mm



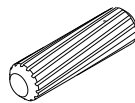
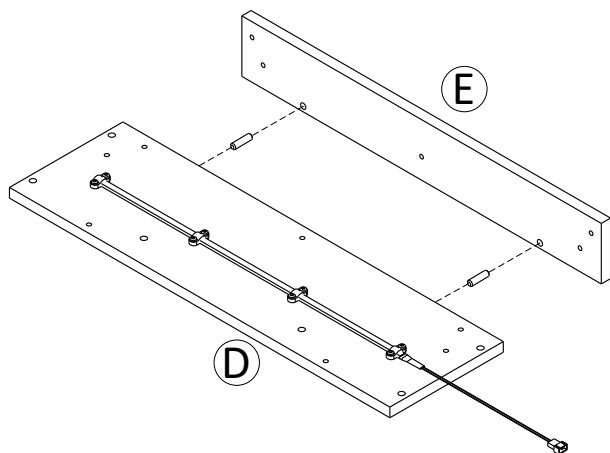
x1

Moodlight Strip

Uncover the paper on the foams and stick them on the moodlight strip evenly, use the clamps and screws to fix the moodlight strip on the panel.

Make sure the strip is fixed as above otherwise it will influence the mood light effect.

## STEP 9

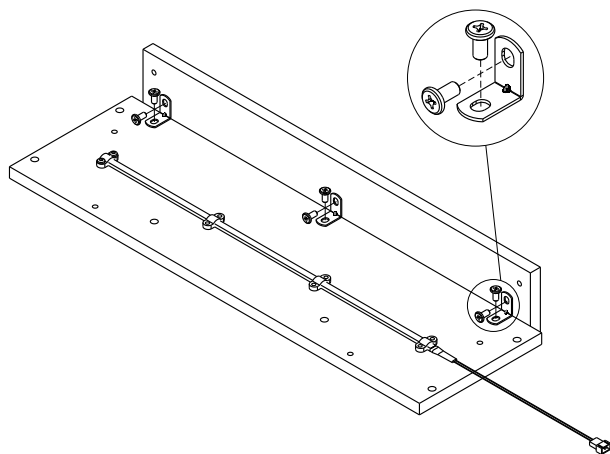


x2

Plug  $\phi 8 \times 30 \text{mm}$

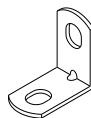
Carry out these assembly steps on both sides.

## STEP 10



x6

Screw M6x12mm

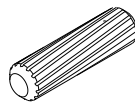
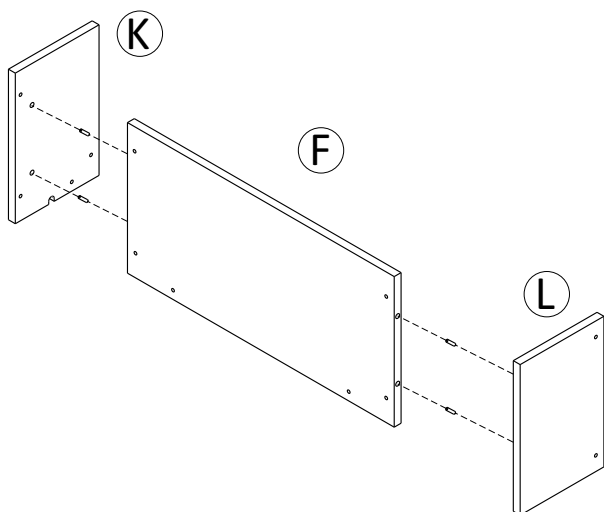


x3

L Bracket

Carry out these assembly steps on both sides.

# STEP 11

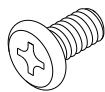
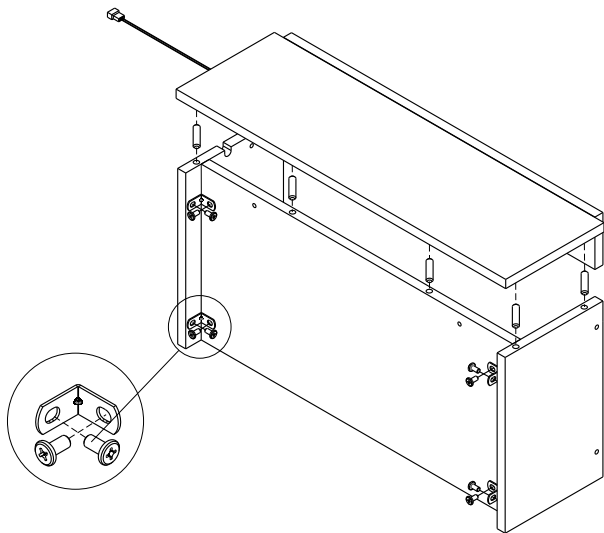


x4

Plug  $\phi 8 \times 30 \text{mm}$

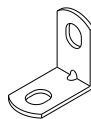
Carry out these assembly steps on both sides.

# STEP 12



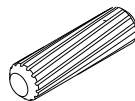
x8

Screw M6x12mm



x4

L Bracket

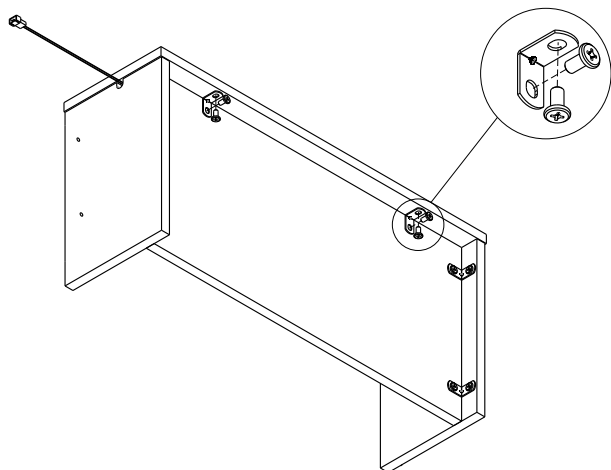


x6

Plug  $\phi 8 \times 30 \text{mm}$

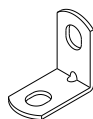
Carry out these assembly steps on both sides.

# STEP 13



x4

Screw M6x12mm

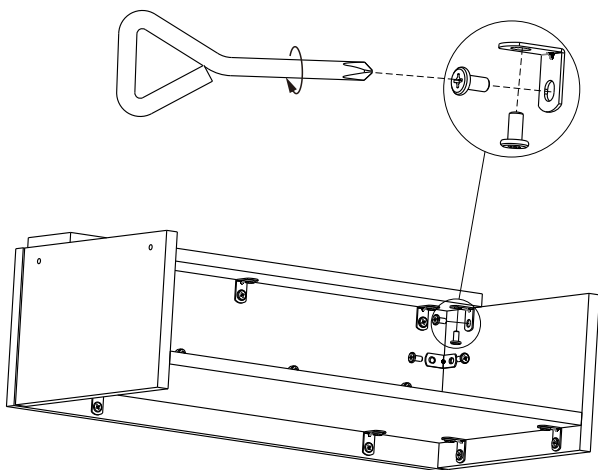


x2

L Bracket

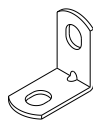
Carry out these assembly steps on both sides.

# STEP 14



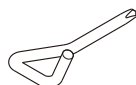
x8

Screw M6x12mm



x4

L Bracket

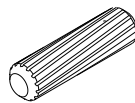
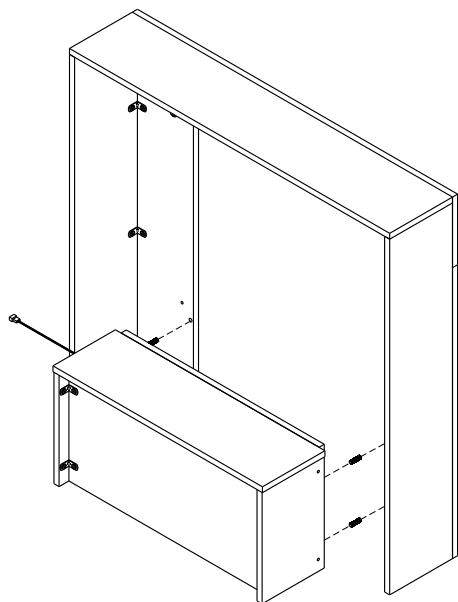


x1

Screwdriver

Carry out these assembly steps on both sides.

## STEP 15

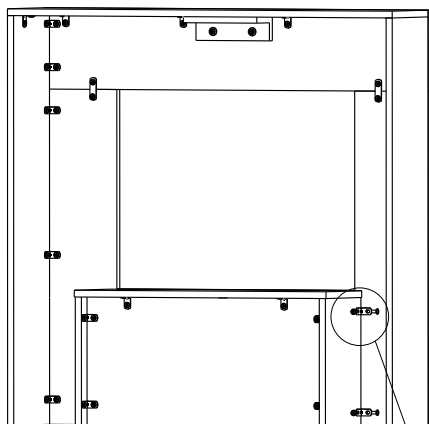


x4

Plug  $\phi 8 \times 30 \text{mm}$

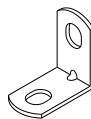
Carry out these assembly steps on both sides.

## STEP 16



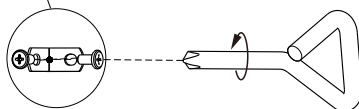
x8

Screw M6x12mm



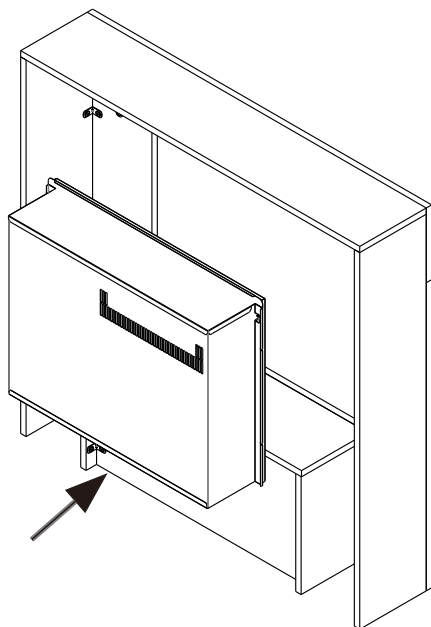
x4

L Bracket



Carry out these assembly steps on both sides.

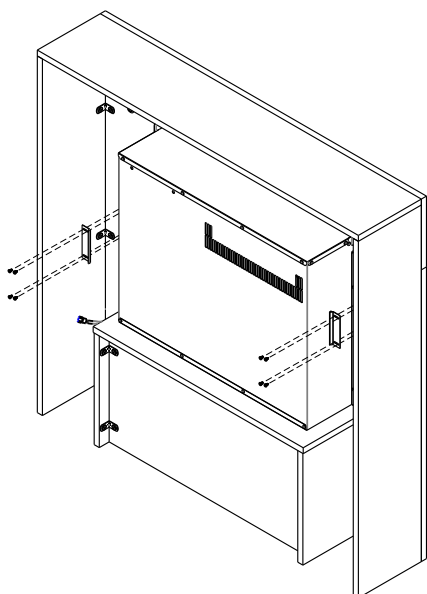
## STEP 17



*Rear side of the panel*

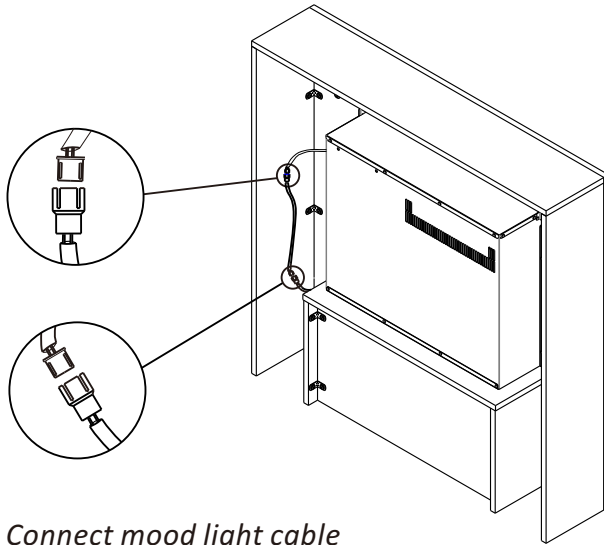
---

## STEP 18

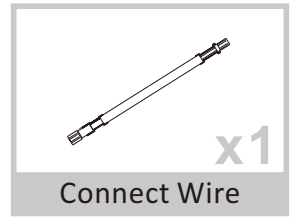


*8pcs ST3.5x12mm Screw*

## STEP 19



*Connect mood light cable*



---

## STEP 20

