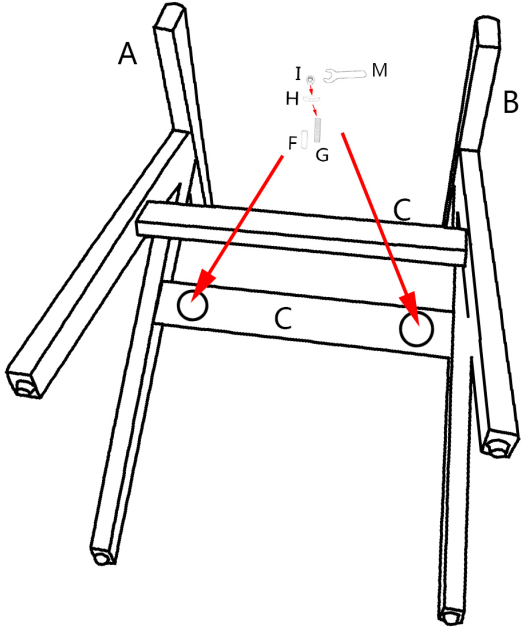
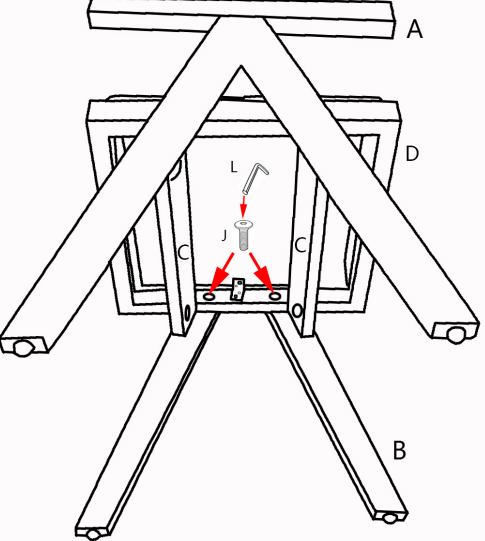



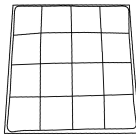
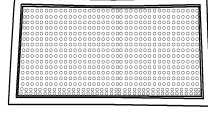


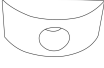







Item No	CY-261	Assembly Instruction		
			PARTS	Qty
		A		1
		B		1
		C		2
		D		1
		E		1
		F	 8*40	4
		G	 8*70	4
		H	 32*16*9	4
		I	 ◎8mm*5	4
		J	 8*45	4
		K	 6*45	4
		L	 5mm	1
		M	 14mm	1
