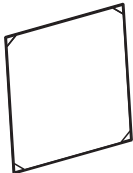
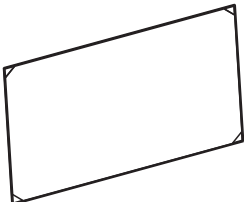
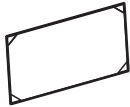
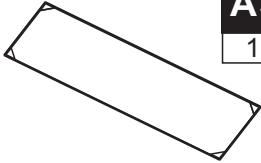
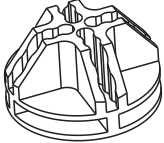
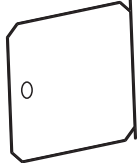
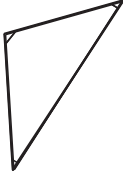

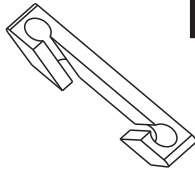
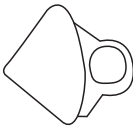
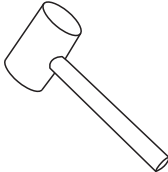
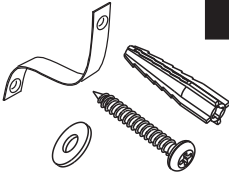
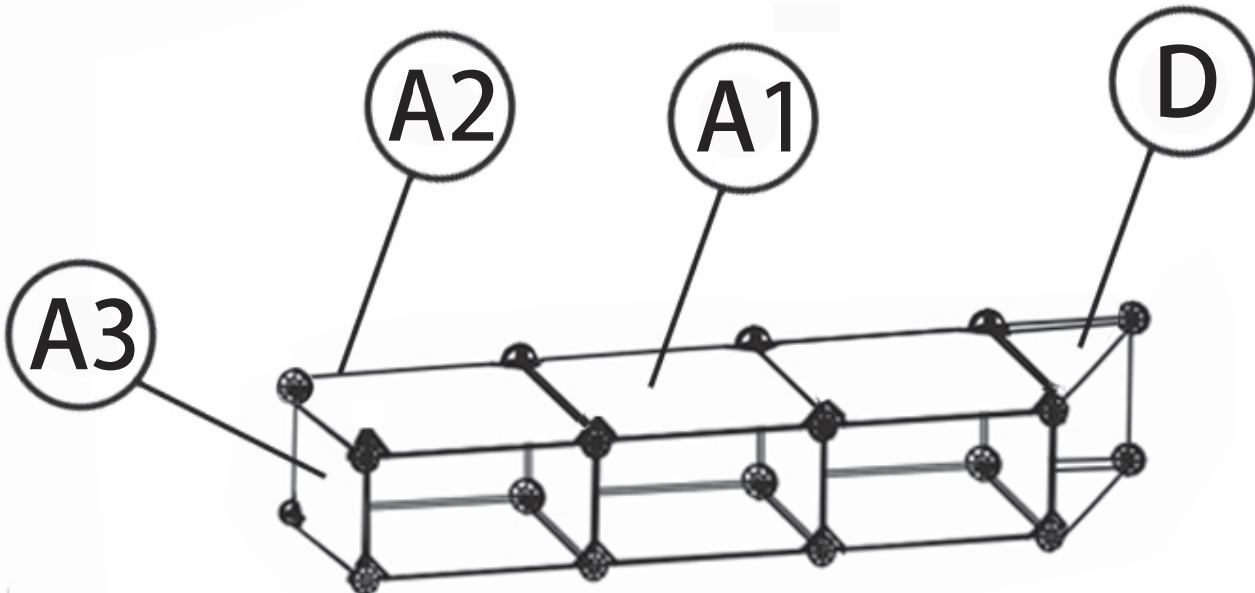
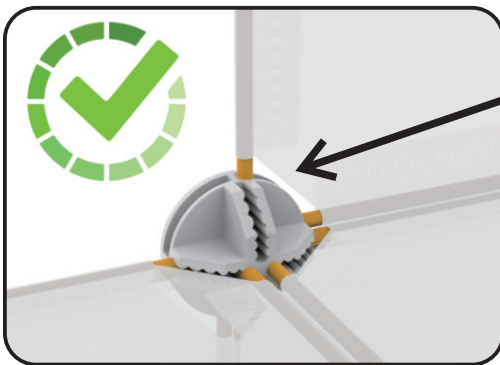
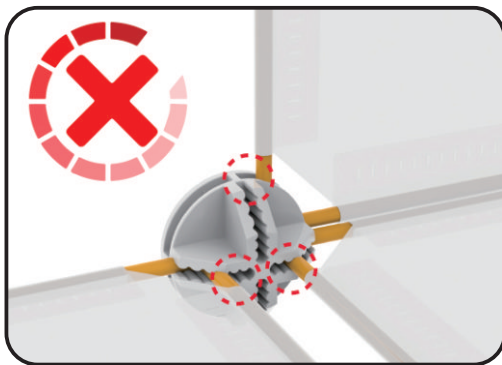


IMPORTANT, RETAIN FOR FUTURE REFERENCE: READ CAREFULLY

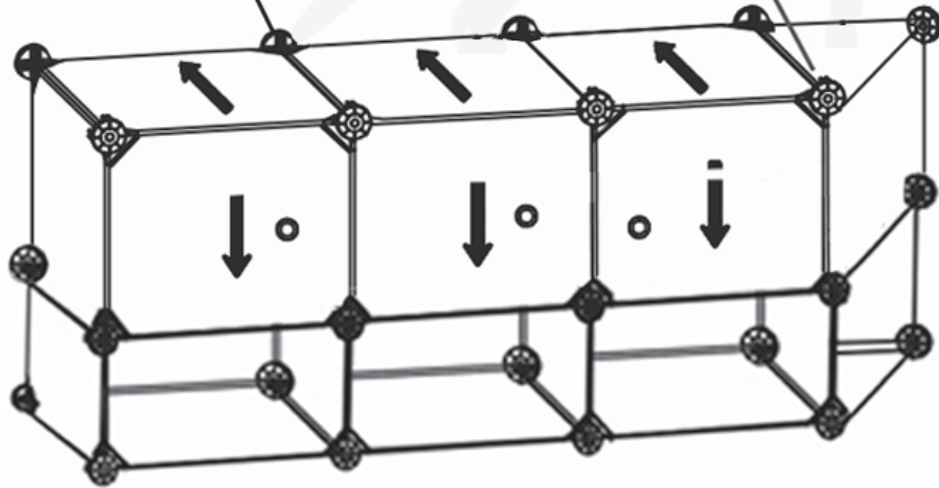
ASSEMBLY & INSTRUCTION MANUAL

 A x20 35*35	 A1 x37 35*45	 A2 x 4 17*35
 A3 x 4 17*45	 B x63 +1(spare)	 C x15 35*35
 D x 7 35*45	 E x 2	 F x 8
 G x16	 H x 1	 I x 2





B



B

A

