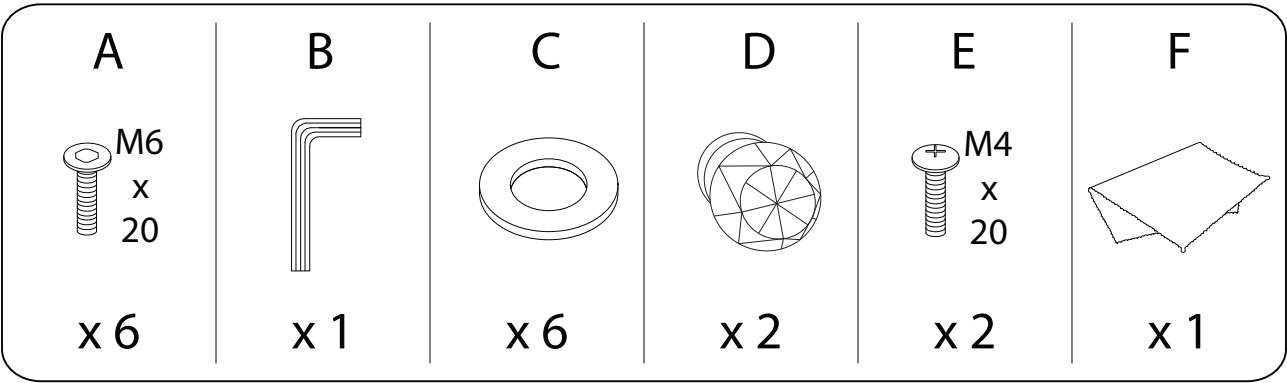
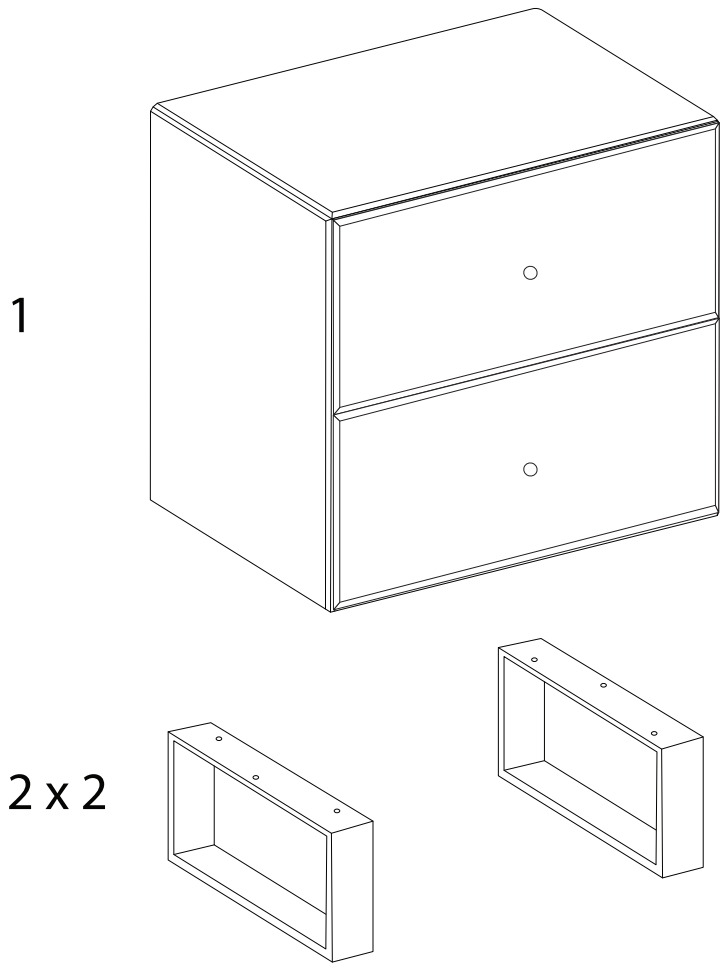
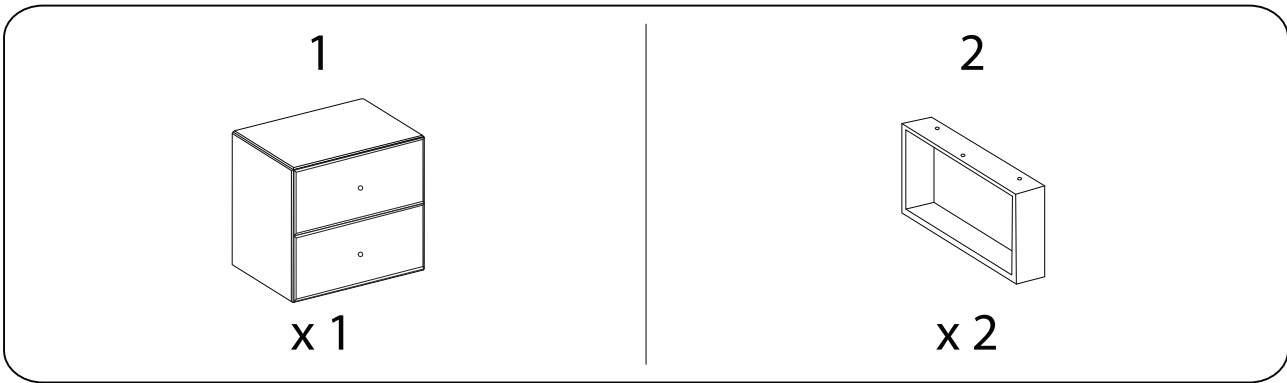
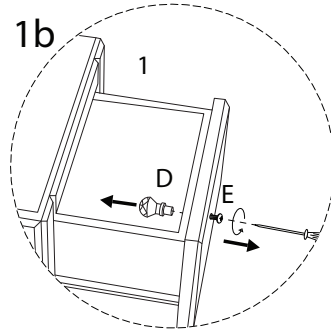
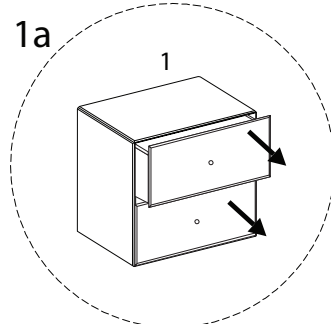
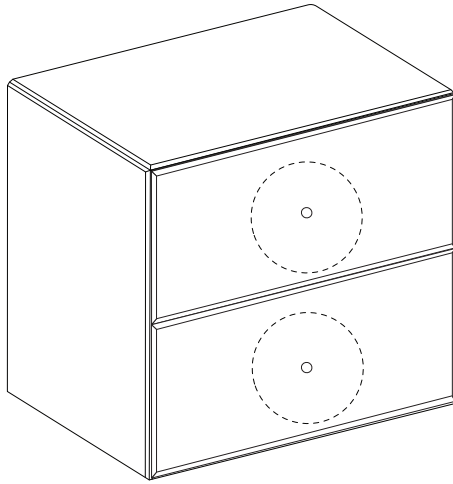


Assembly instructions for step 1/4:

- Tools:** A circle containing a screwdriver and an L-shaped hex key. A power drill is shown with a diagonal line through it, indicating it should not be used.
- Warning:** A triangle with an exclamation mark.
- Time:** A clock icon with the text "20'" below it, indicating a 20-minute assembly time.
- Personnel:** A stick figure icon with the number "1" below it, indicating that one person is required for assembly.

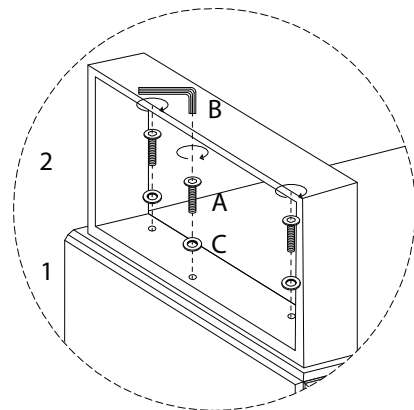
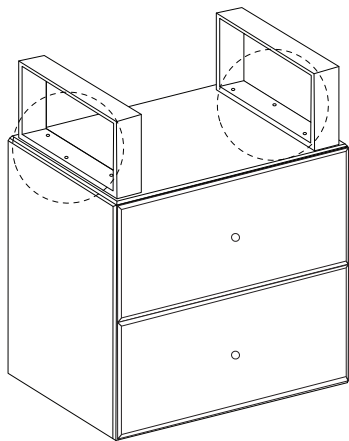


!



1

<p>1</p> <p>x 1</p>	<p>2</p> <p>x 2</p>	<p>A</p> <p>M6 x 20 x 6</p>	<p>B</p> <p>x 1</p>	<p>C</p> <p>x 6</p>
---------------------	---------------------	---	---------------------	---------------------



2

D

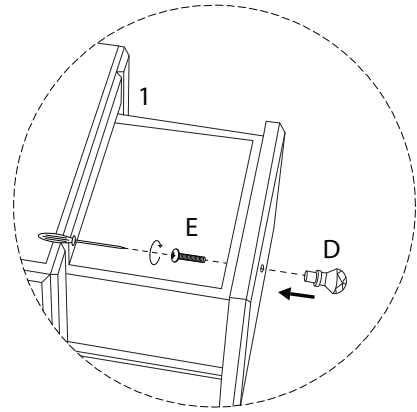
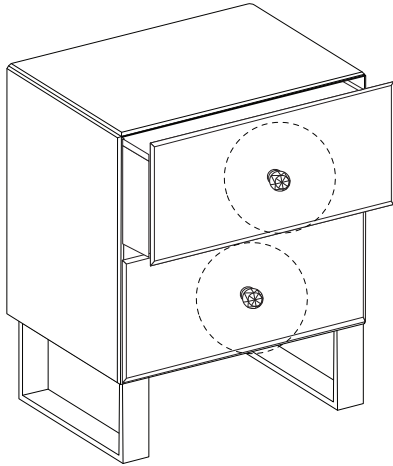


x 2

E

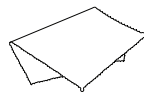


x 2



3

F



x 1

