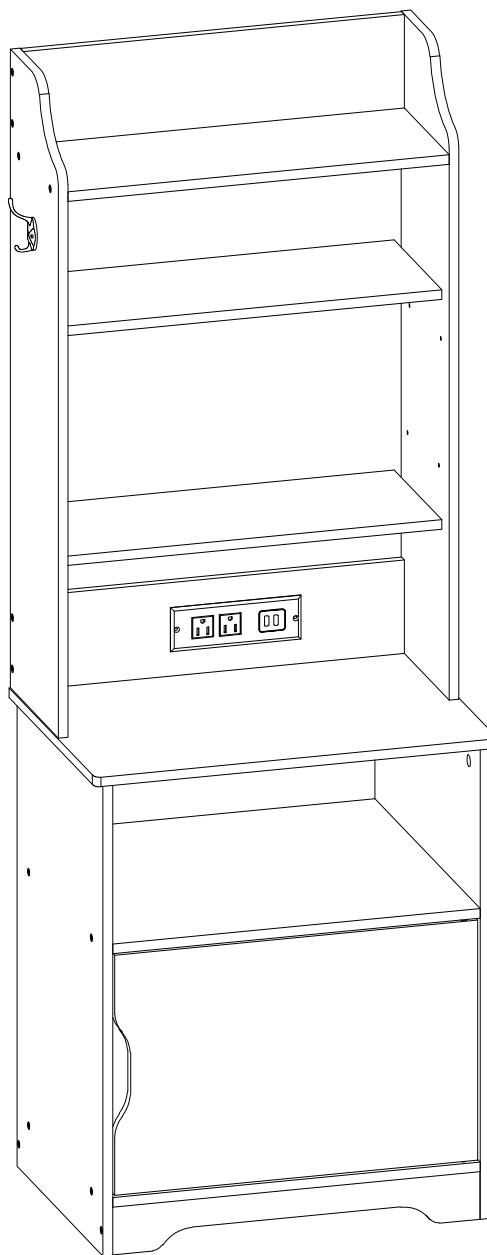
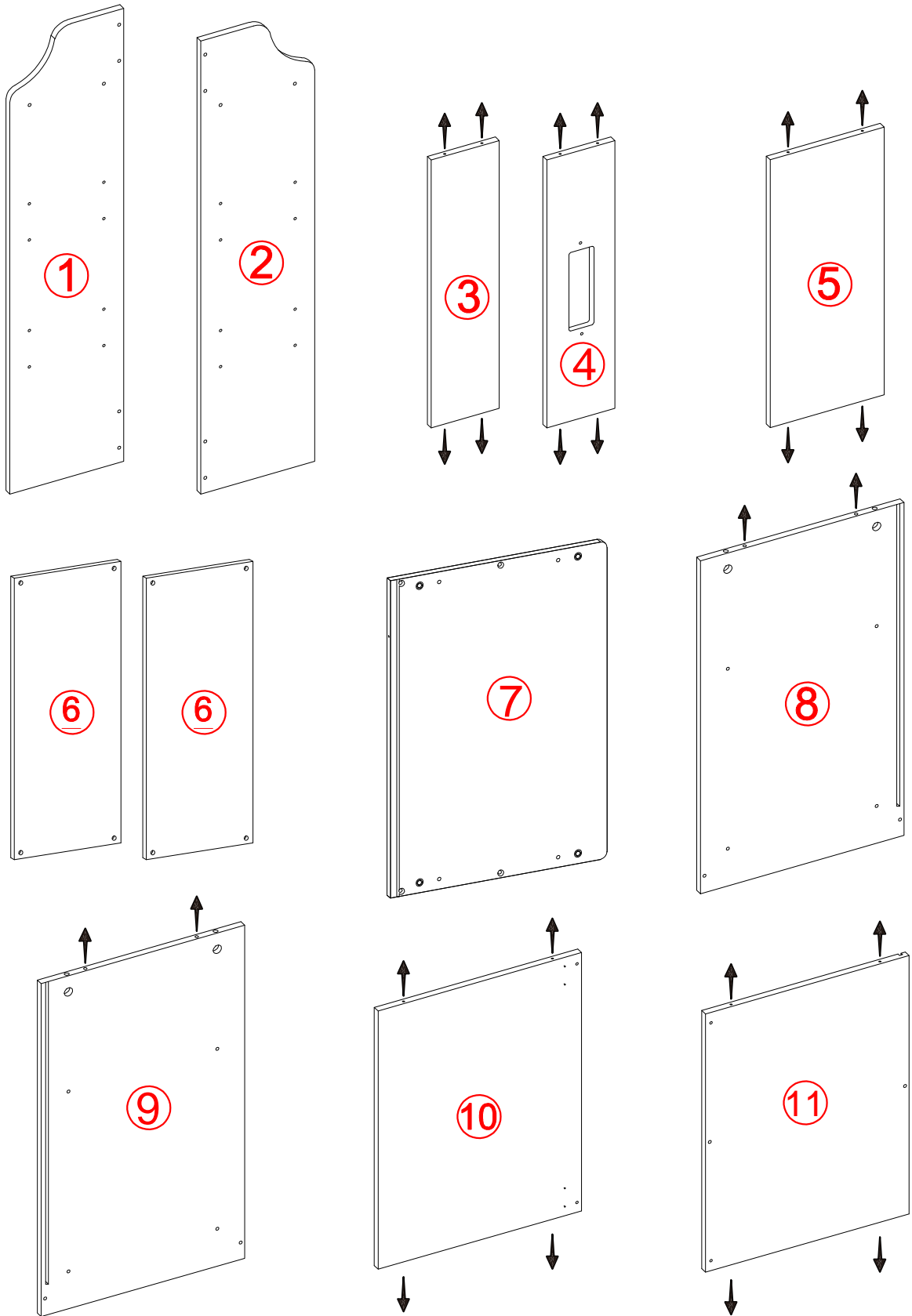


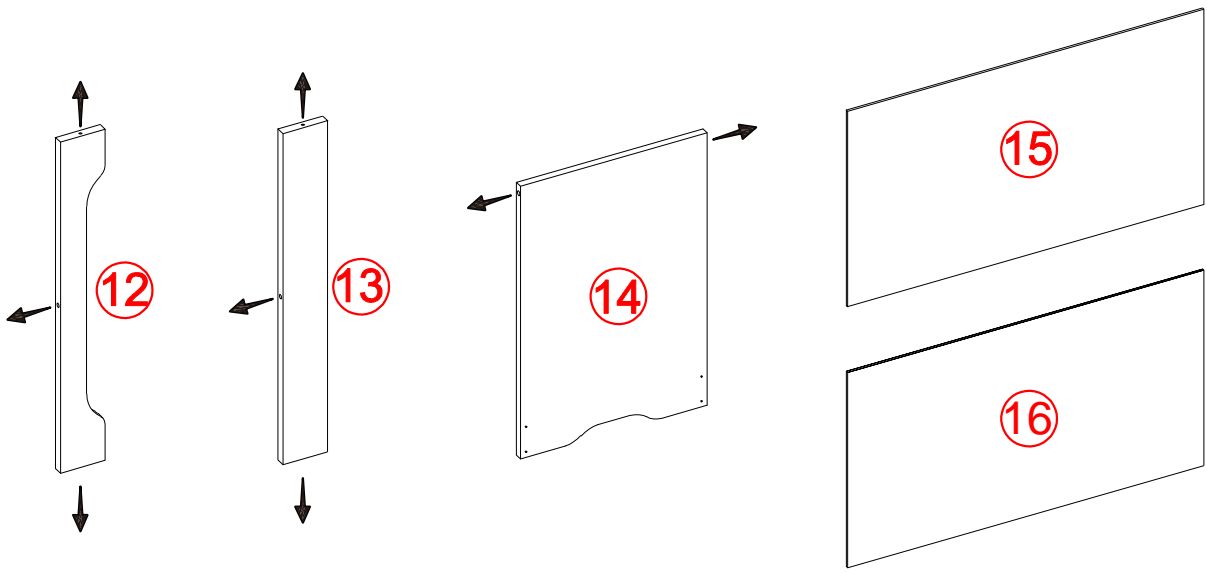
Installation Instruction

Please don't tighten the screws completely and go back later for a final tightening of all the screws after pieces are aligned with each other.

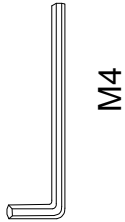


HARDWARE LIST





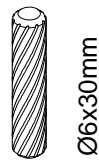
PARTA LIST



A×1PC



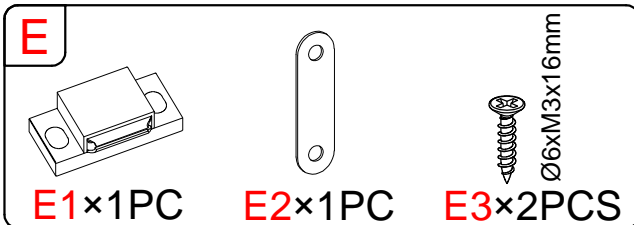
B×28PCS



C×6PCS



D×8PCS



E1×1PC

E2×1PC

E3×2PCS

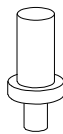


F1×4PCS

F2×4PCS



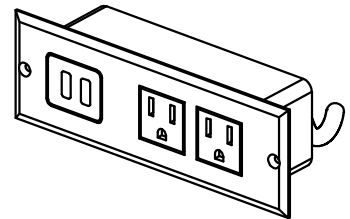
G×2PCS



H×2PCS



I×9PCS



J×1PC



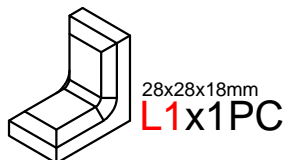
K1×1PC



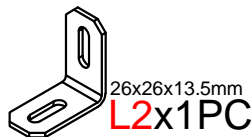
K2×1PC



K3×1PC



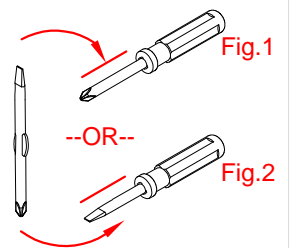
L1×1PC



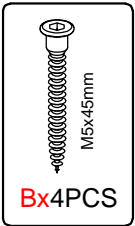
L2×1PC



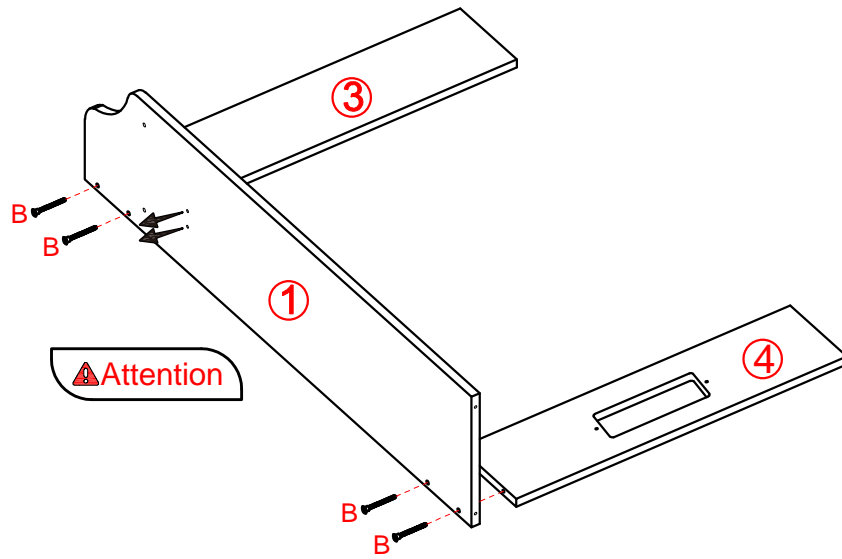
M×1PC



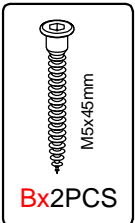
1



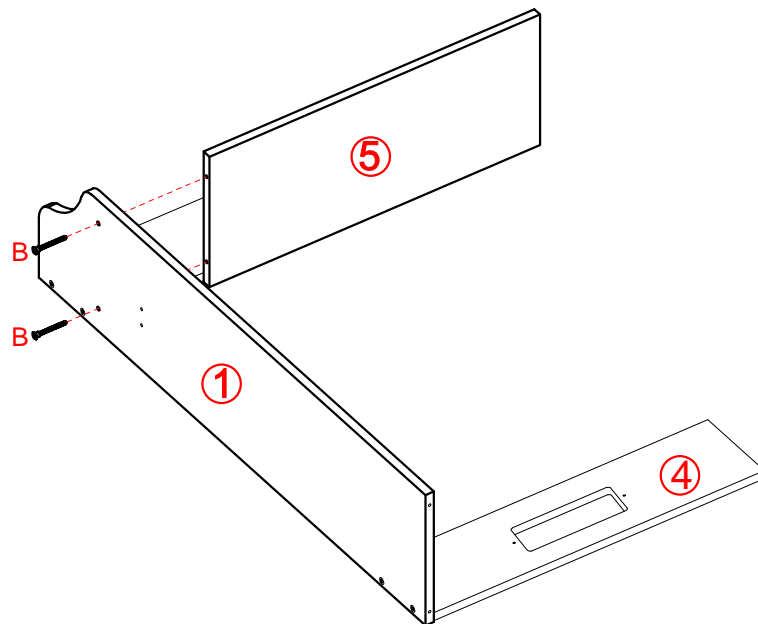
- ① x1PC
- ③ x1PC
- ④ x1PC



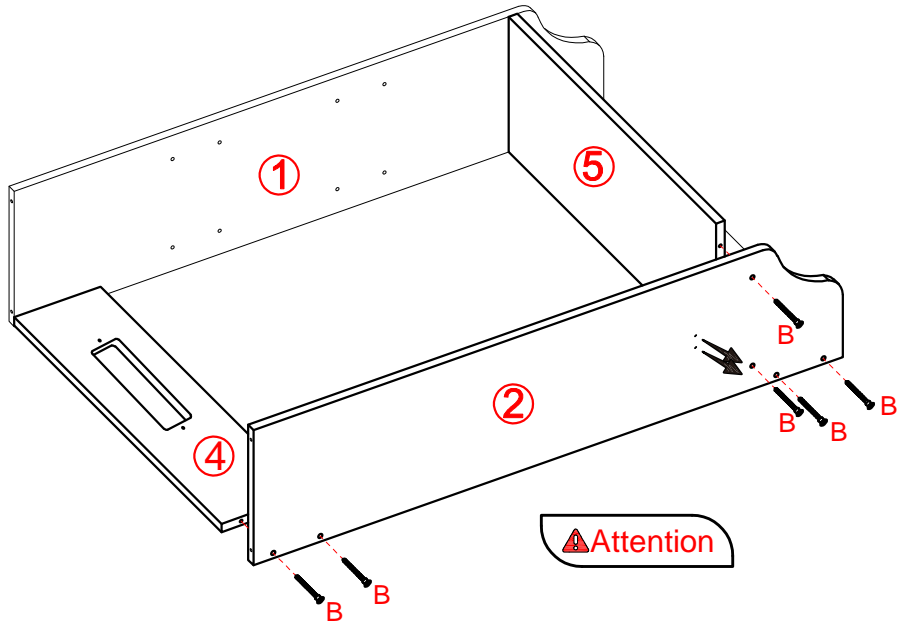
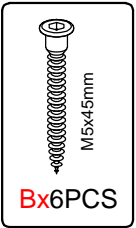
2



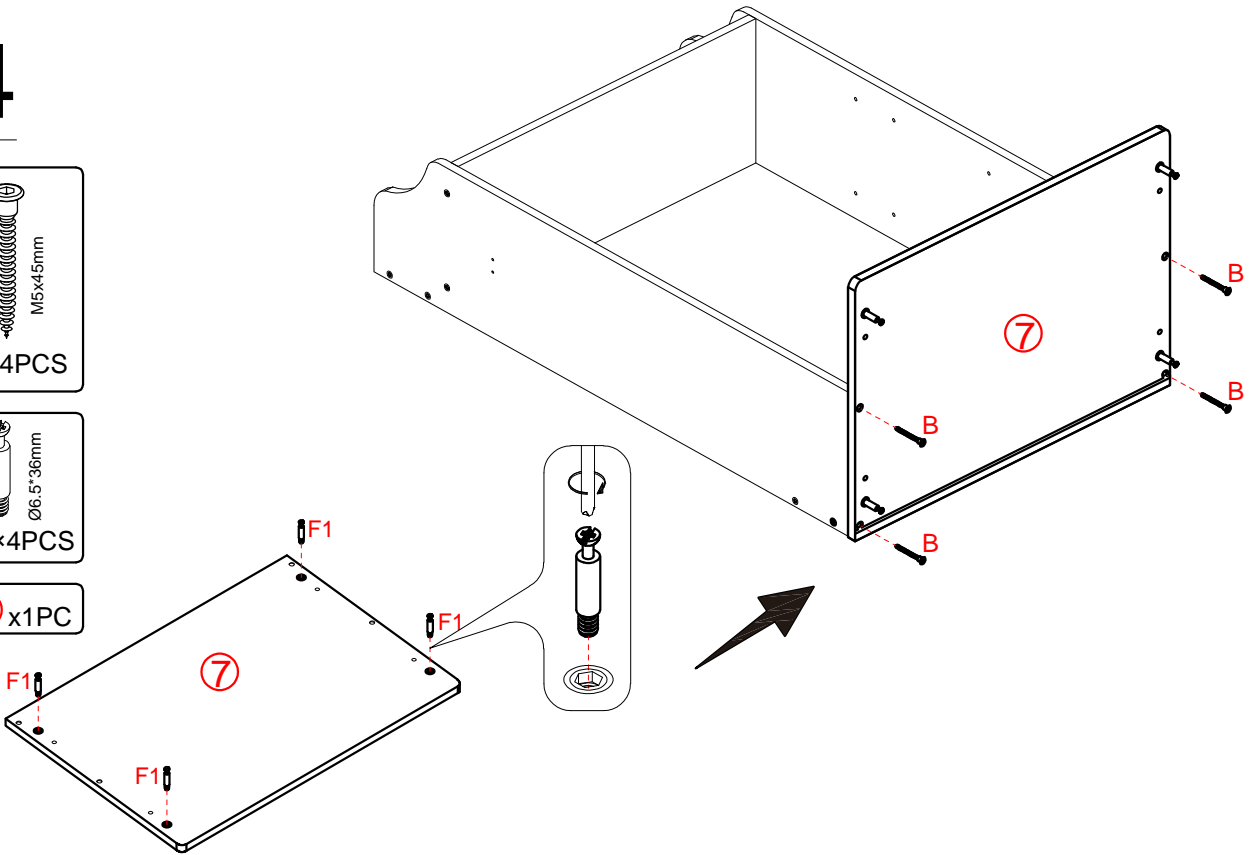
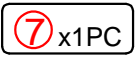
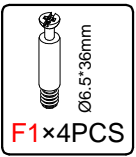
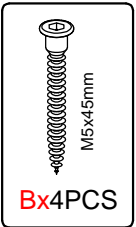
- ⑤ x1PC



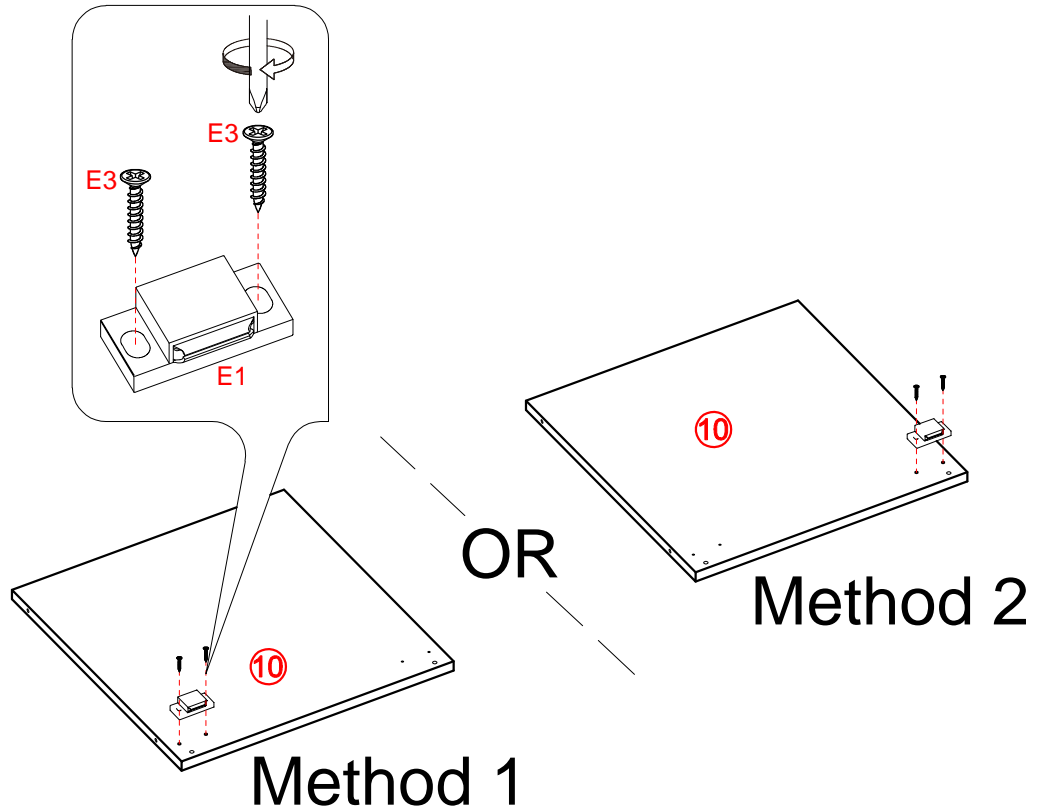
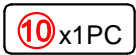
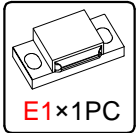
3



4

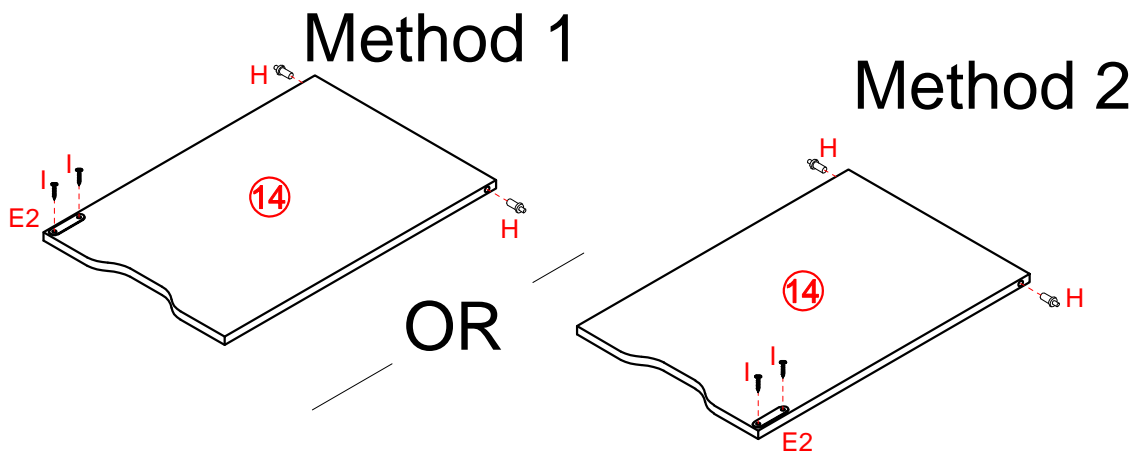
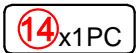
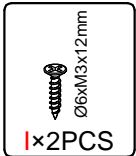
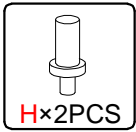
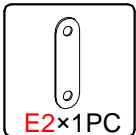


5



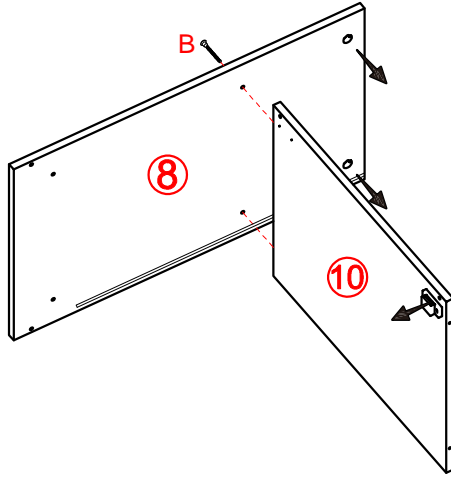
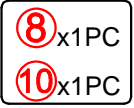
If you are installing method 1, the filing cabinet door fanned out to the left;
If you are installing method 2, the filing cabinet door fanned out to the right.

6

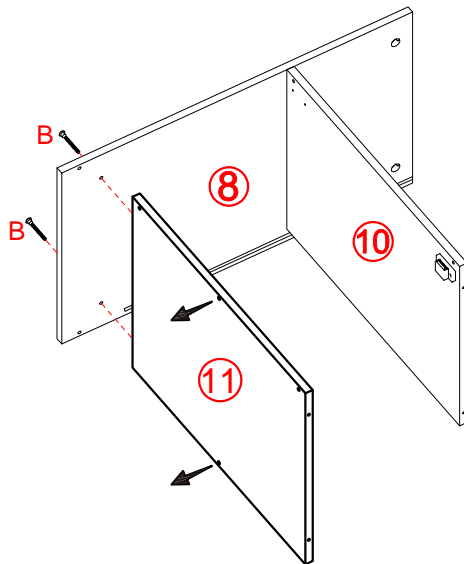
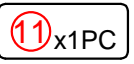
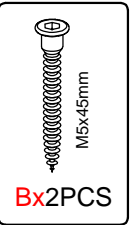


If you are installing method 1, the filing cabinet door fanned out to the left;
If you are installing method 2, the filing cabinet door fanned out to the right.

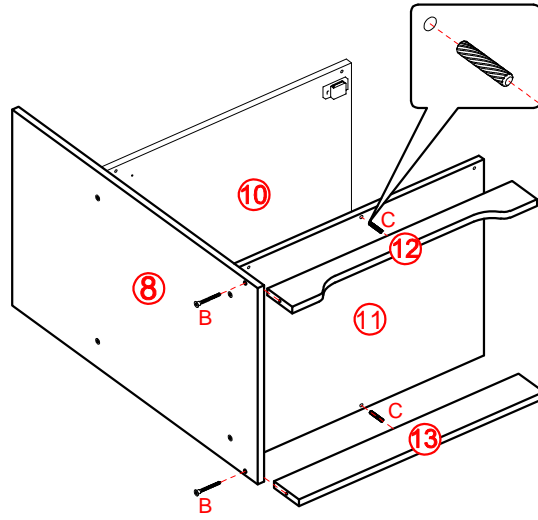
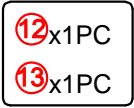
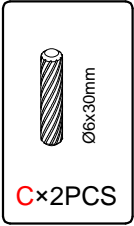
7



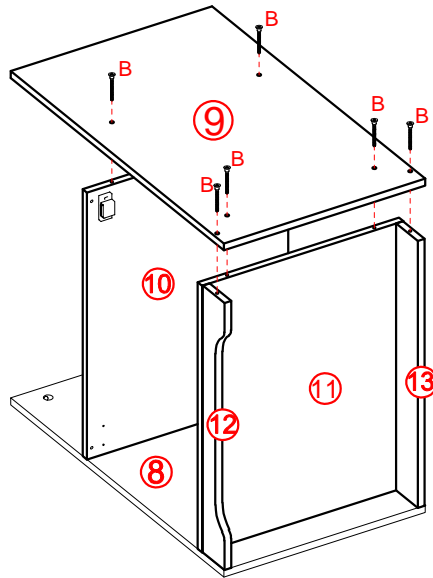
8



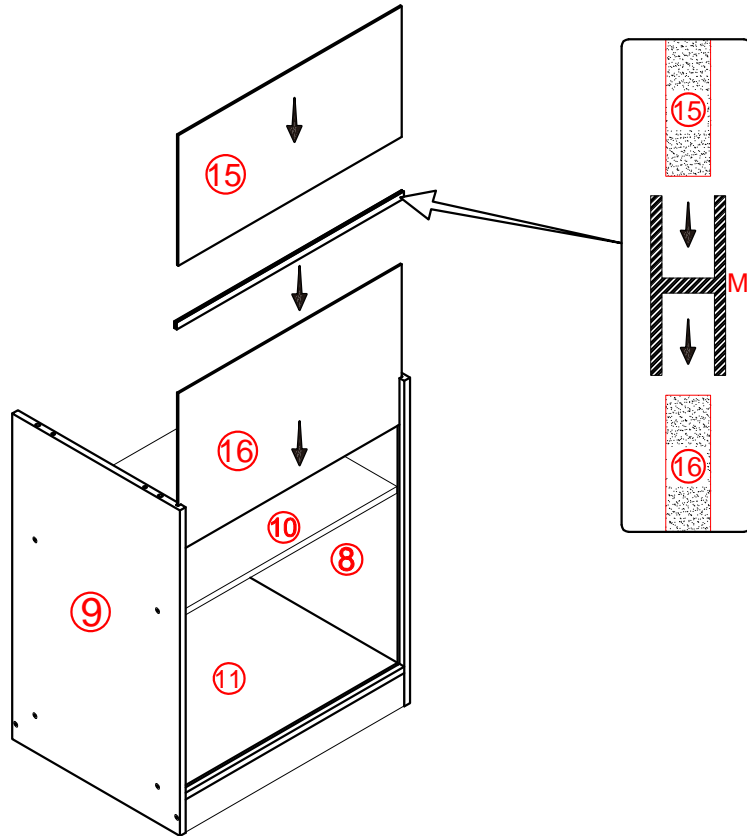
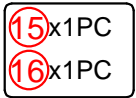
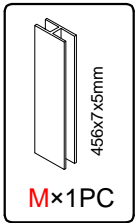
9



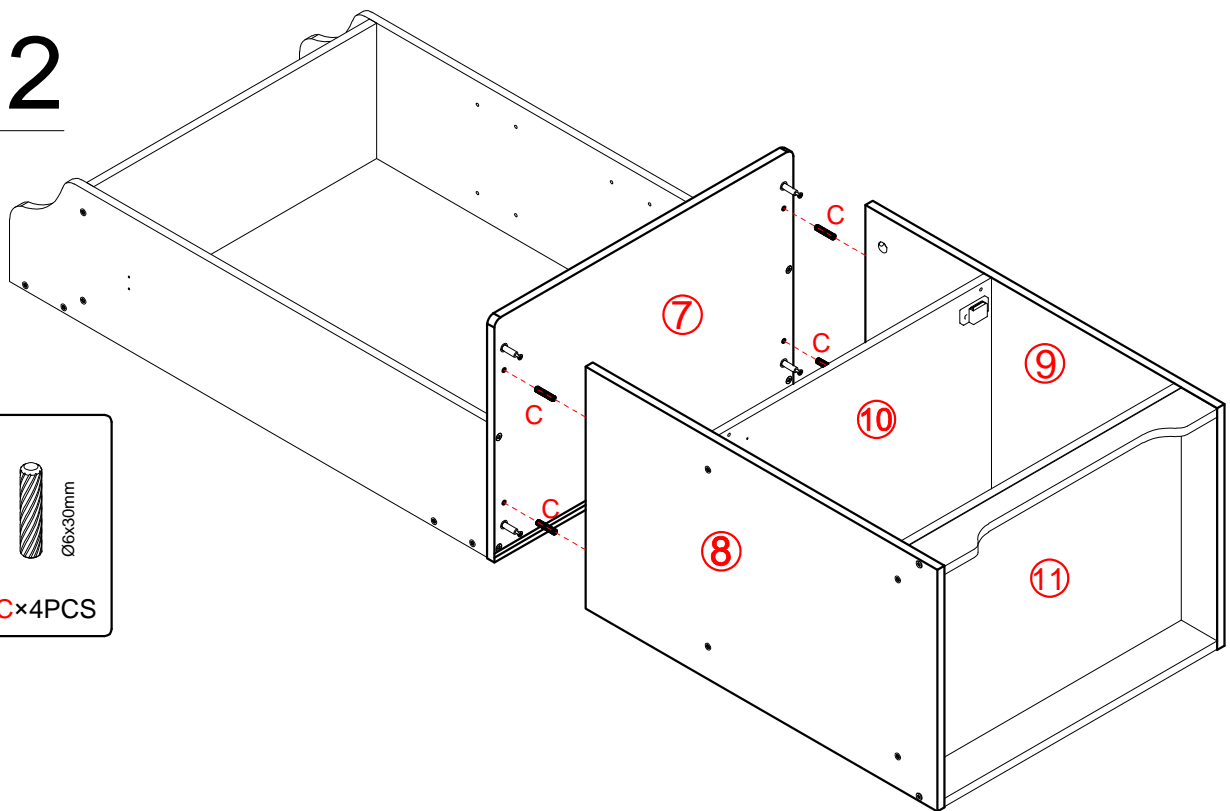
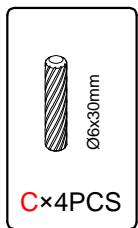
10



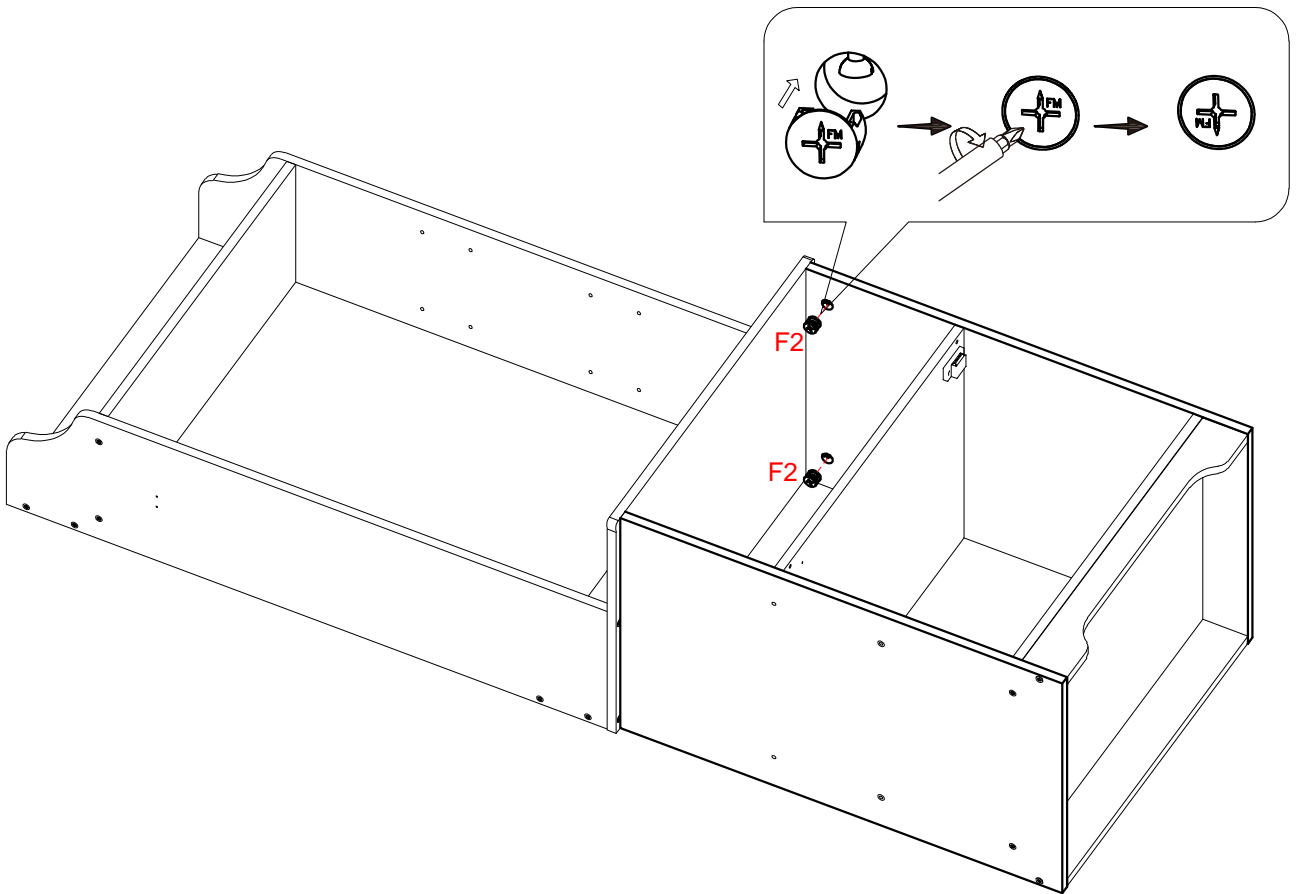
11



12



13

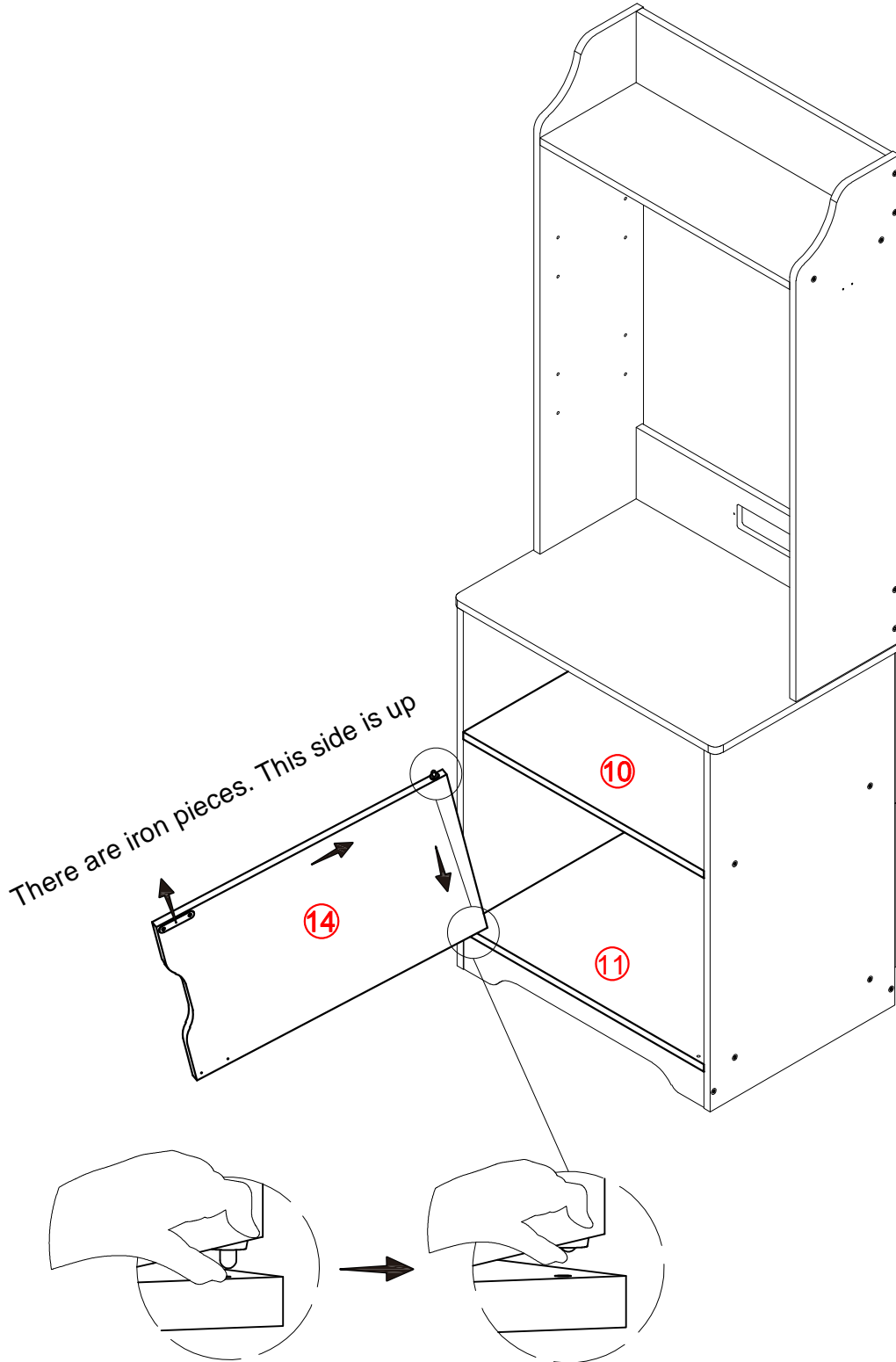


10.

14

14x1PC

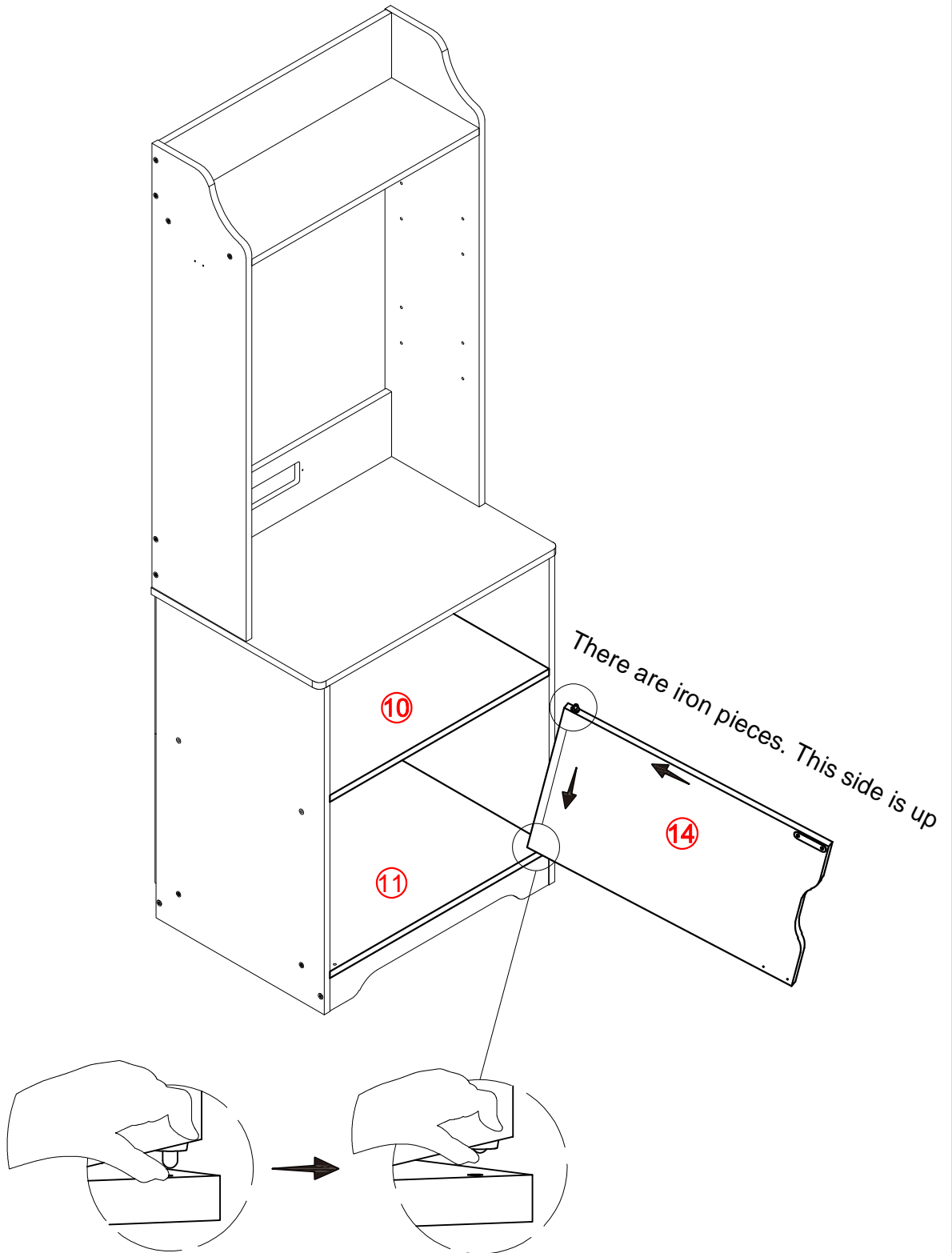
Method 1



14

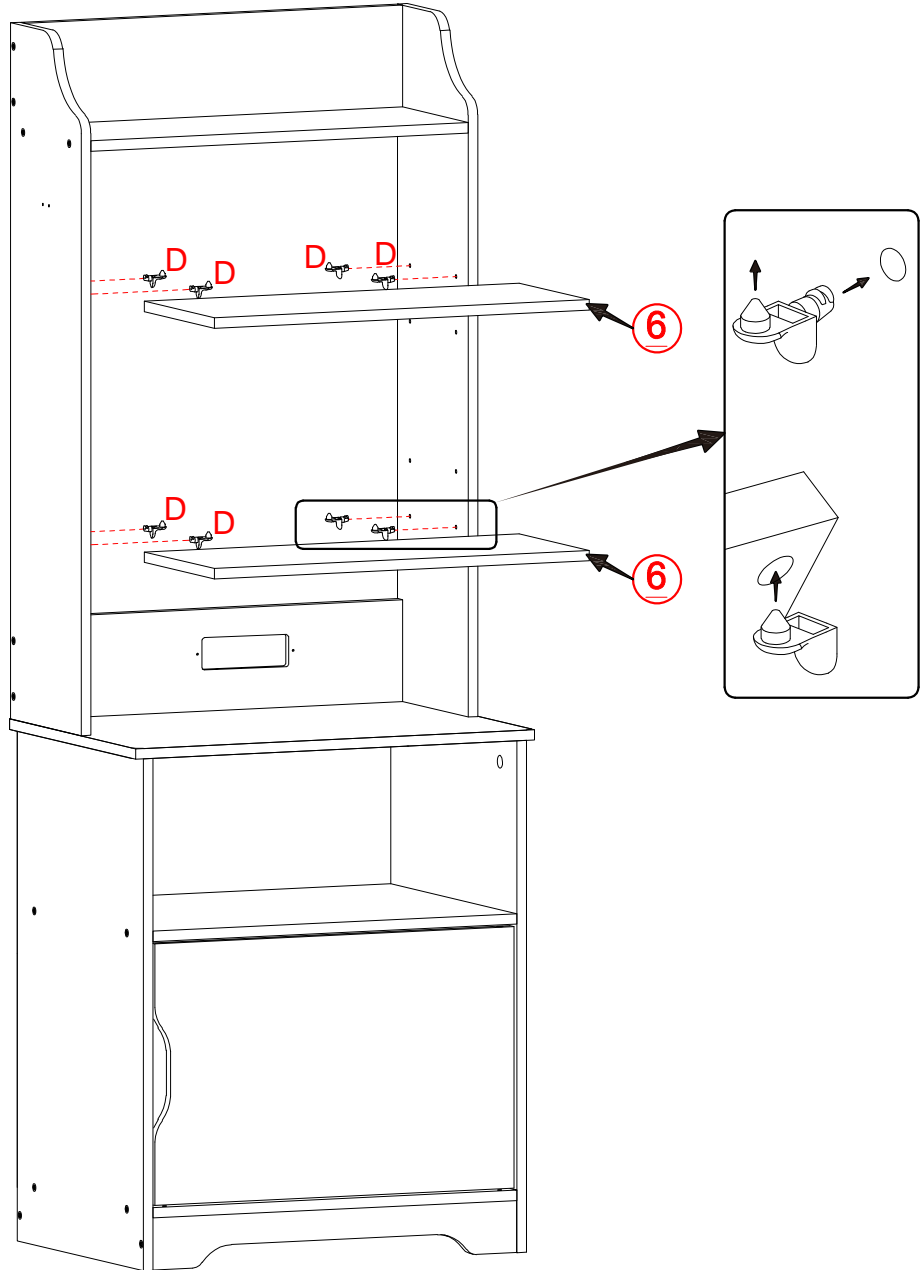
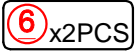
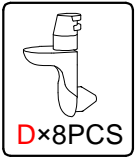
14x1PC

Method 2

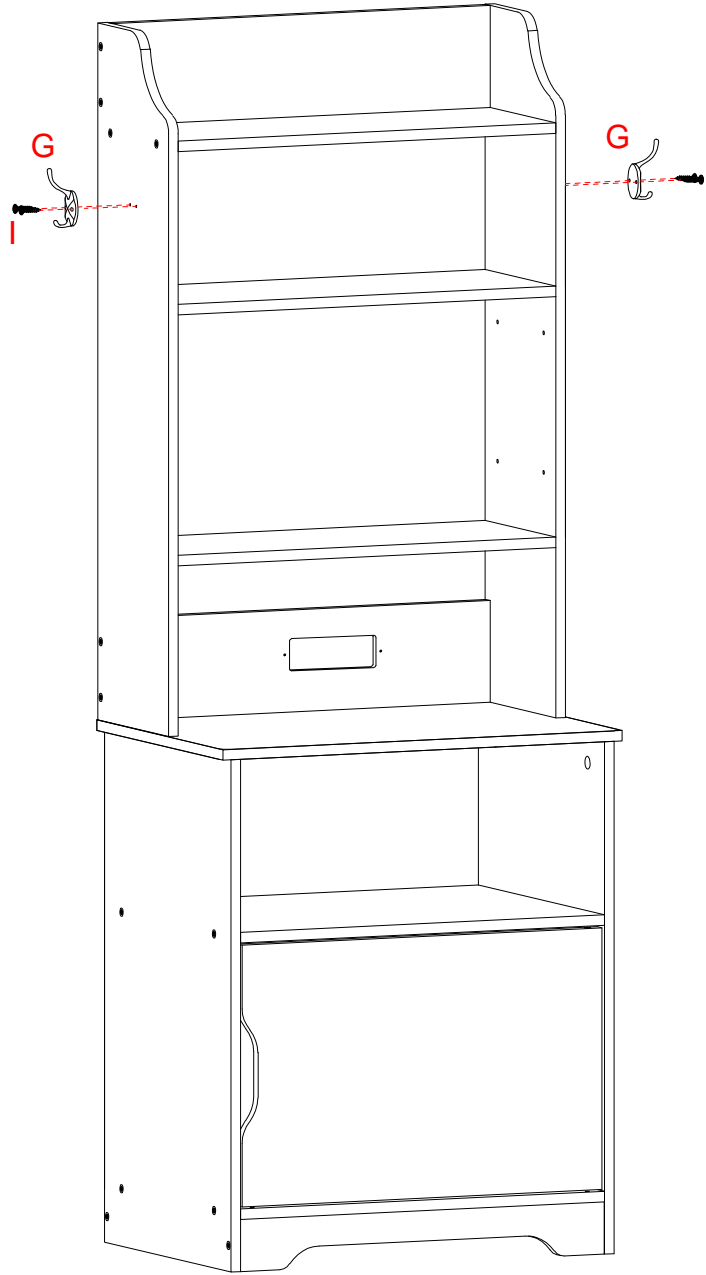
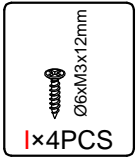
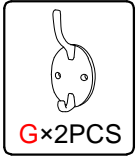


12.

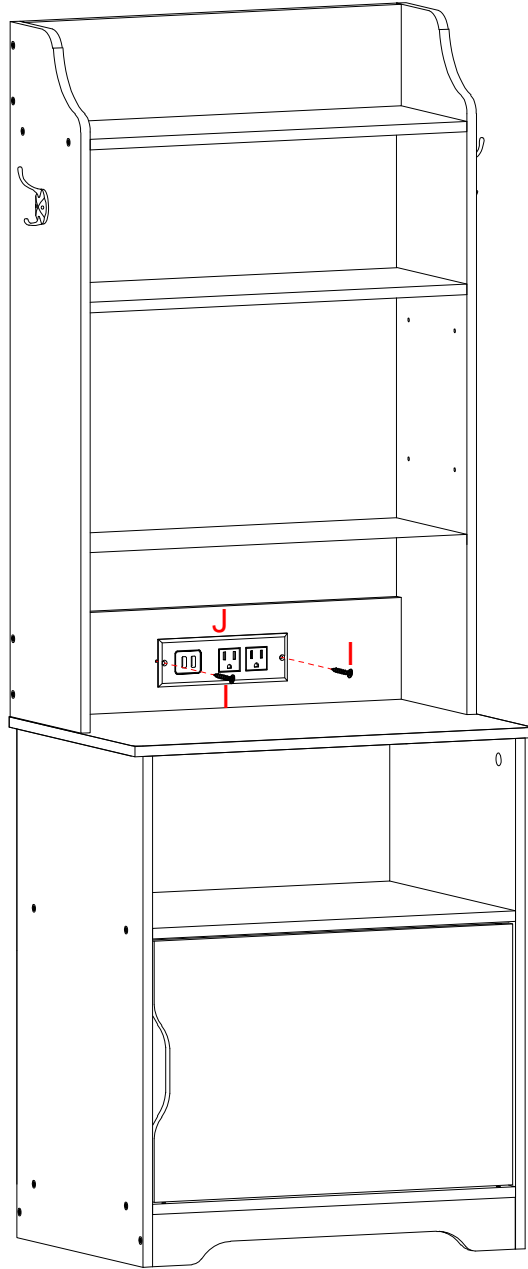
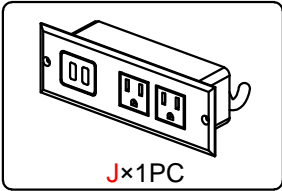
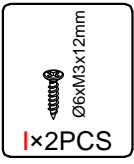
15



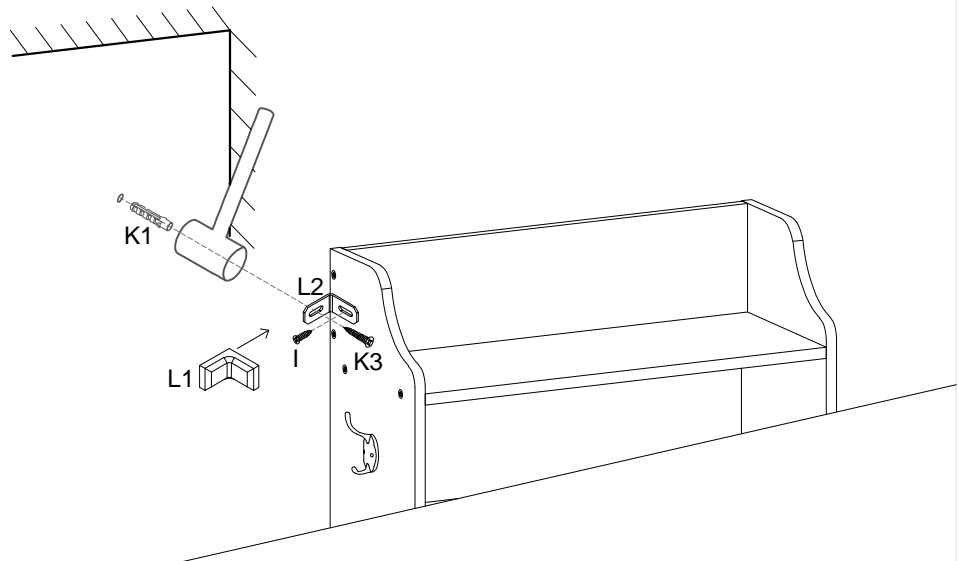
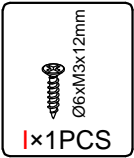
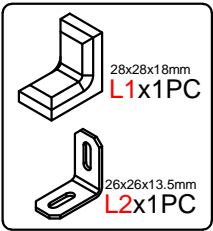
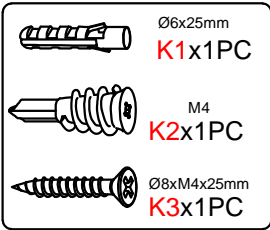
16



17



18



special wall

