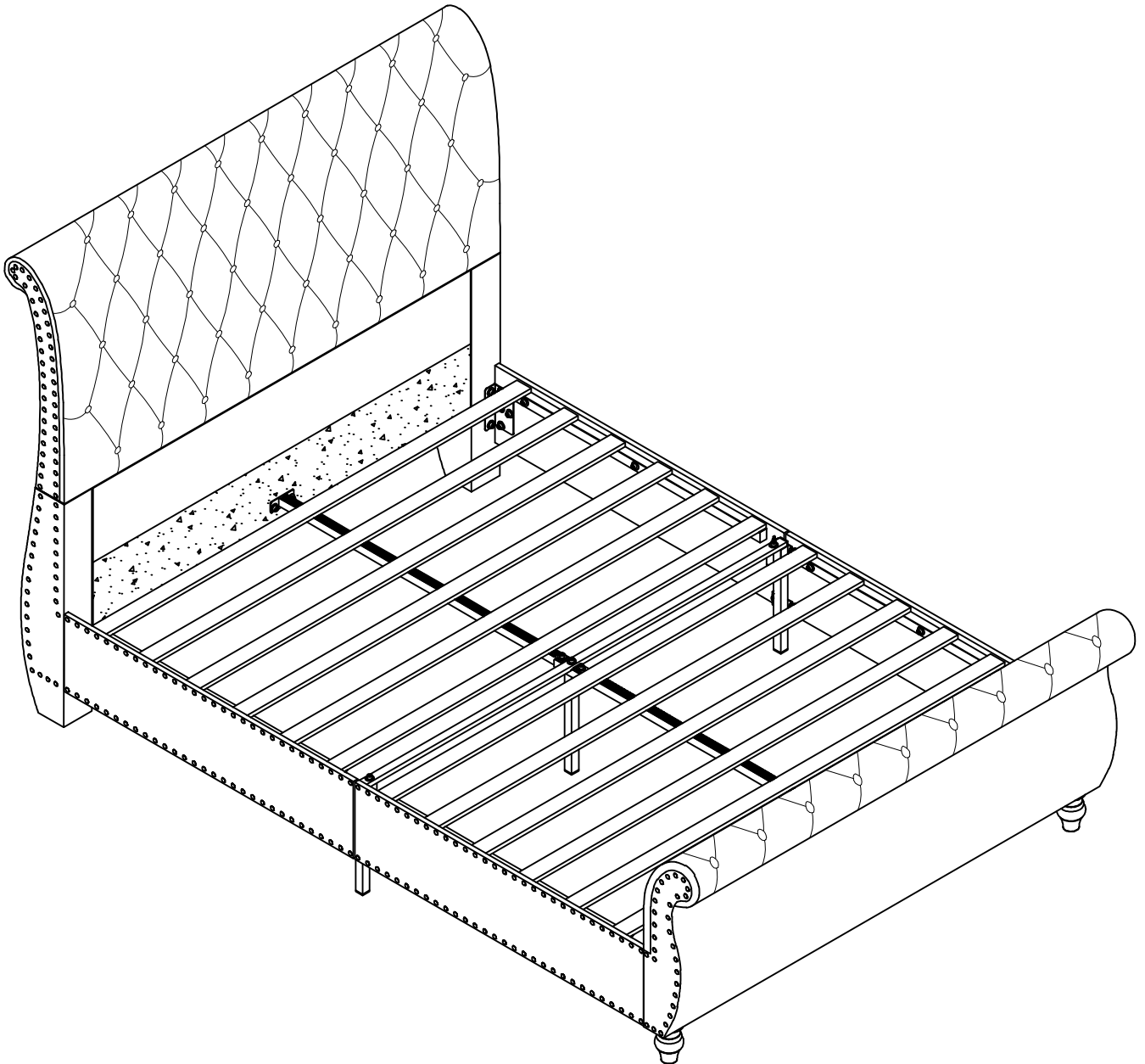
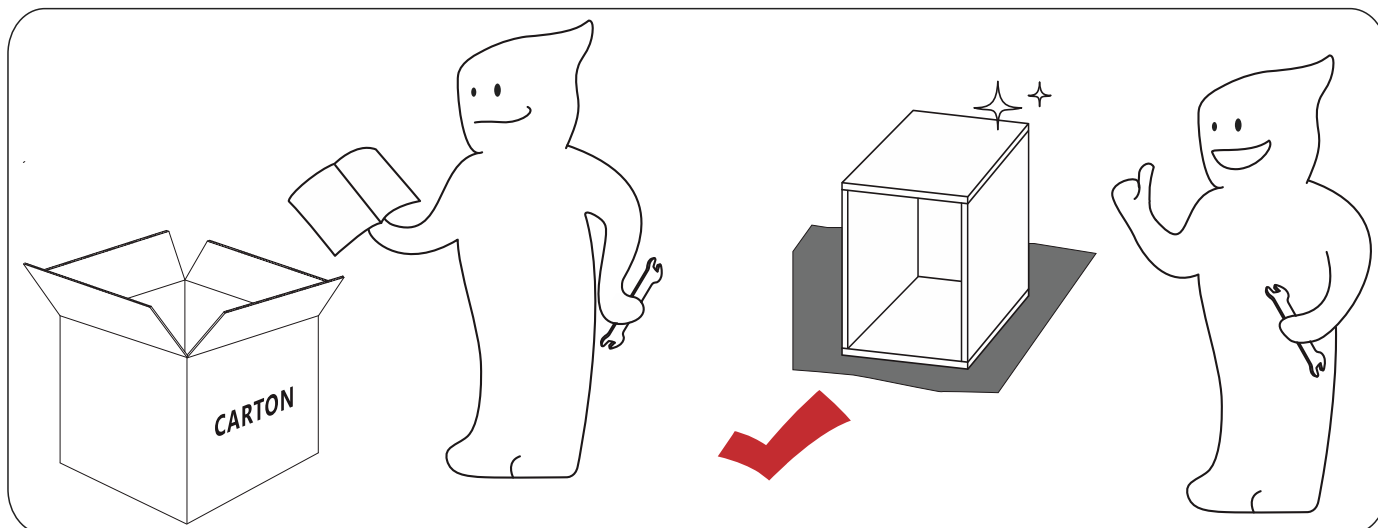
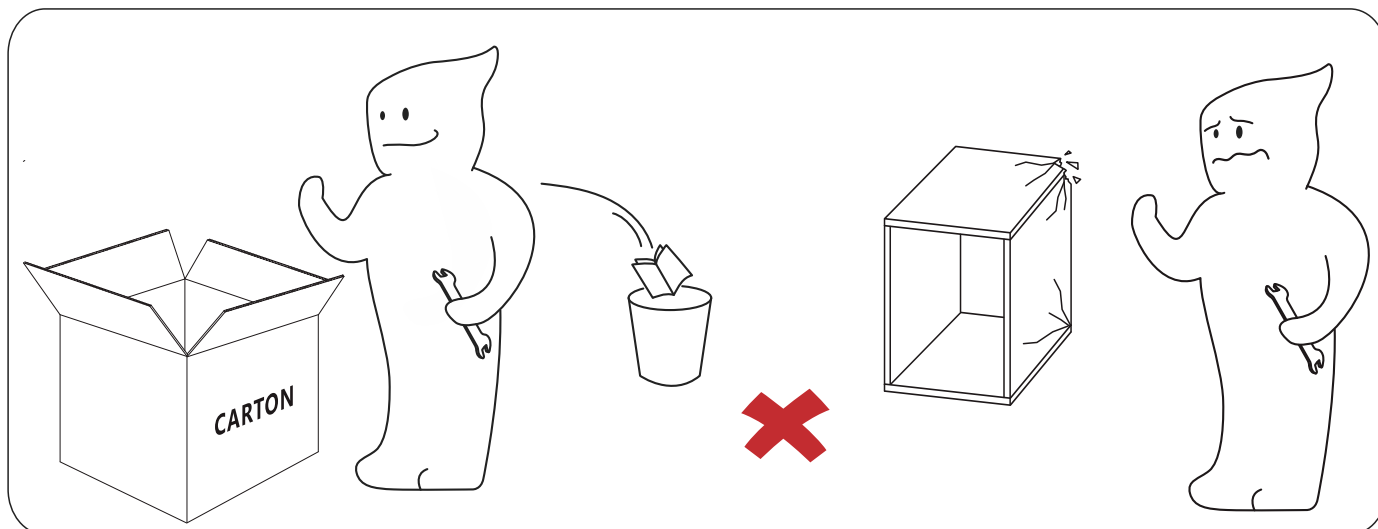


Upholstered Platform Bed with Tufted Wingback Headboard



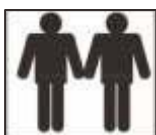
! IMPORTANT

Please follow the instruction manuals and use a pad to protect the product during your assembly.



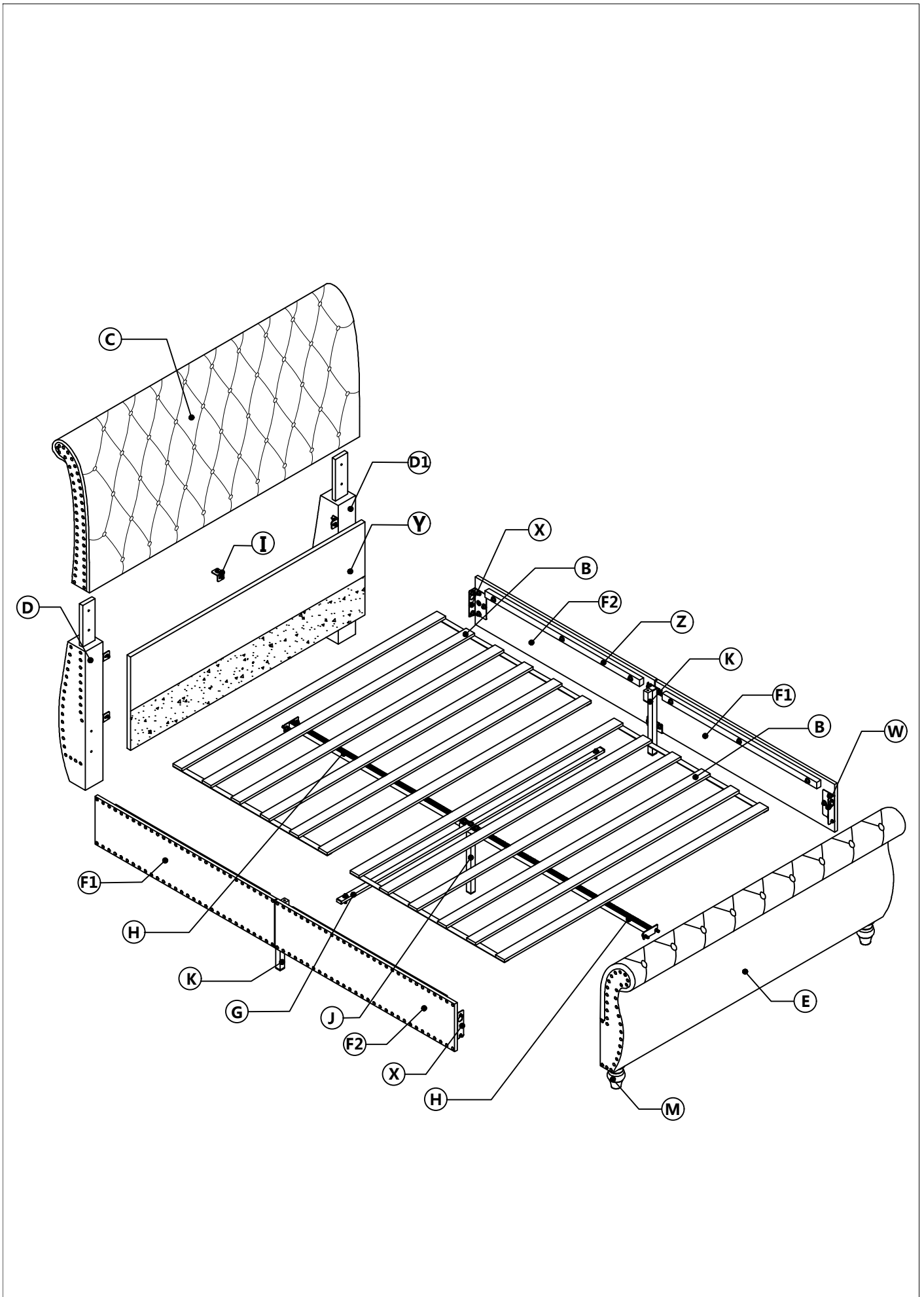
Note:

1. Should be assembled on flat ground to keep balance.
2. Before completing the installation, do not tighten the screws.

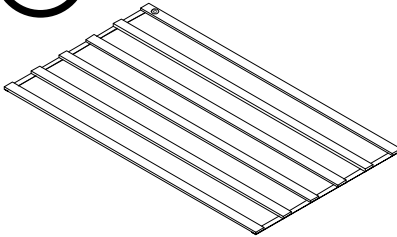
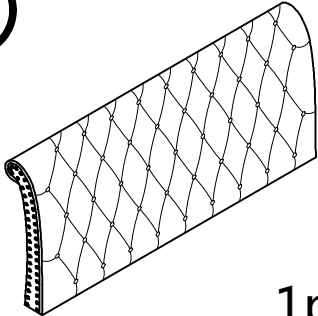


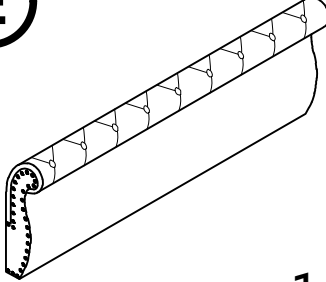
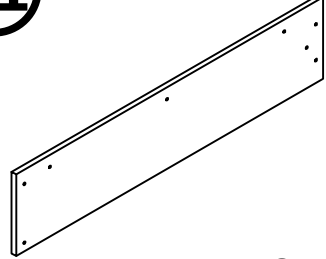
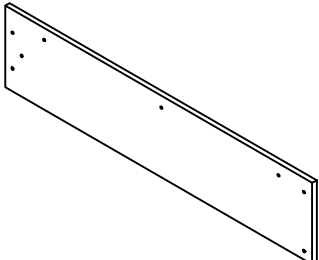
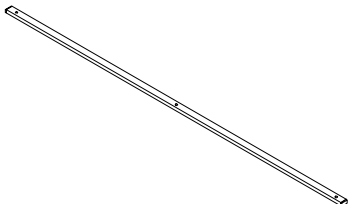
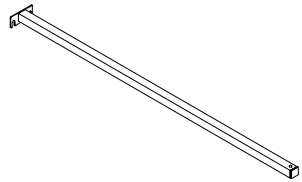
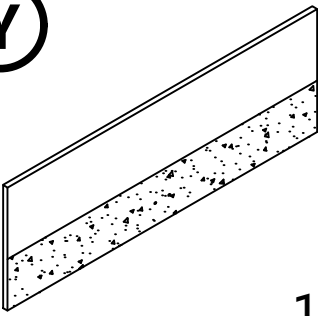
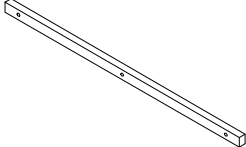


For easier and better assembly, **2** or more adults are required.

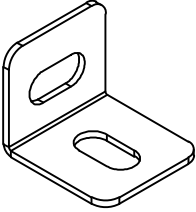
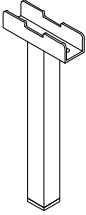
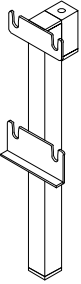
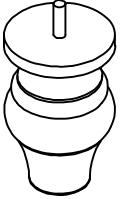
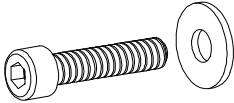
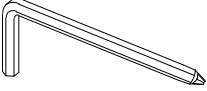
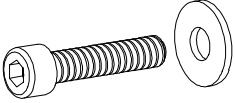
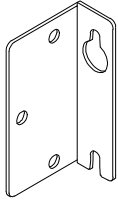
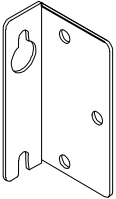
ASSEMBLY INSTRUCTIONS



BED FRAME PARTS LIST

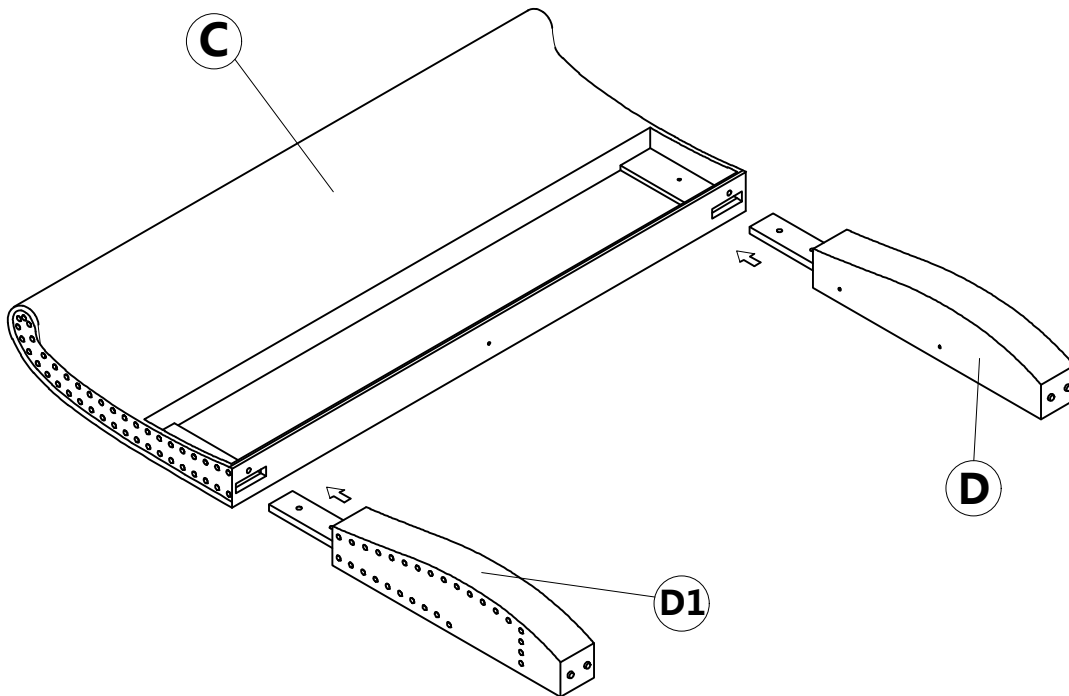
<p>(B)</p>  <p>2pcs</p>	<p>(C)</p>  <p>1pc</p>	<p>(D)</p>  <p>1pc</p>
<p>(D1)</p>  <p>1pc</p>	<p>(E)</p>  <p>1pc</p>	<p>(F1)</p>  <p>2pcs</p>
<p>(F2)</p>  <p>2pcs</p>	<p>(G)</p>  <p>1pc</p>	<p>(H)</p>  <p>2pcs</p>
<p>(Y)</p>  <p>1pc</p>	<p>(Z)</p>  <p>4pcs</p>	

FITTING PARTS LIST

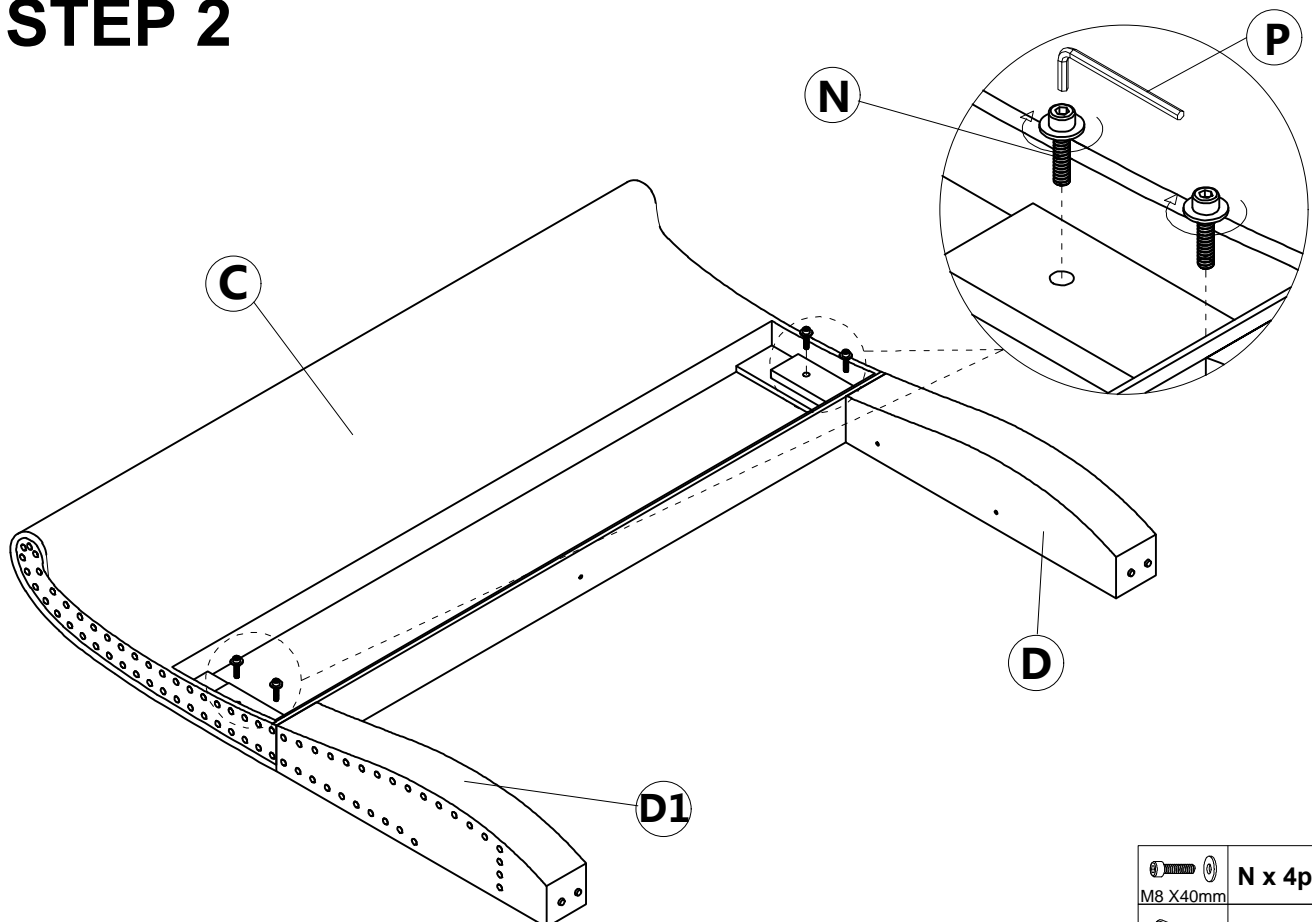
<p>I</p>  <p>5pcs</p>	<p>J</p>  <p>1pc</p>	<p>K</p>  <p>2pcs</p>
<p>M</p>  <p>2pcs</p>	<p>N</p>  <p>M8 X40mm 21+2pcs</p>	<p>P</p>  <p>M8 Spanner 1pc</p>
<p>Q</p>  <p>M8 X45mm 2pcs</p>	<p>W</p>  <p>2pcs</p>	<p>X</p>  <p>2pcs</p>

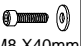

STEP 1

Insert D and D1 parts through the holes as directed

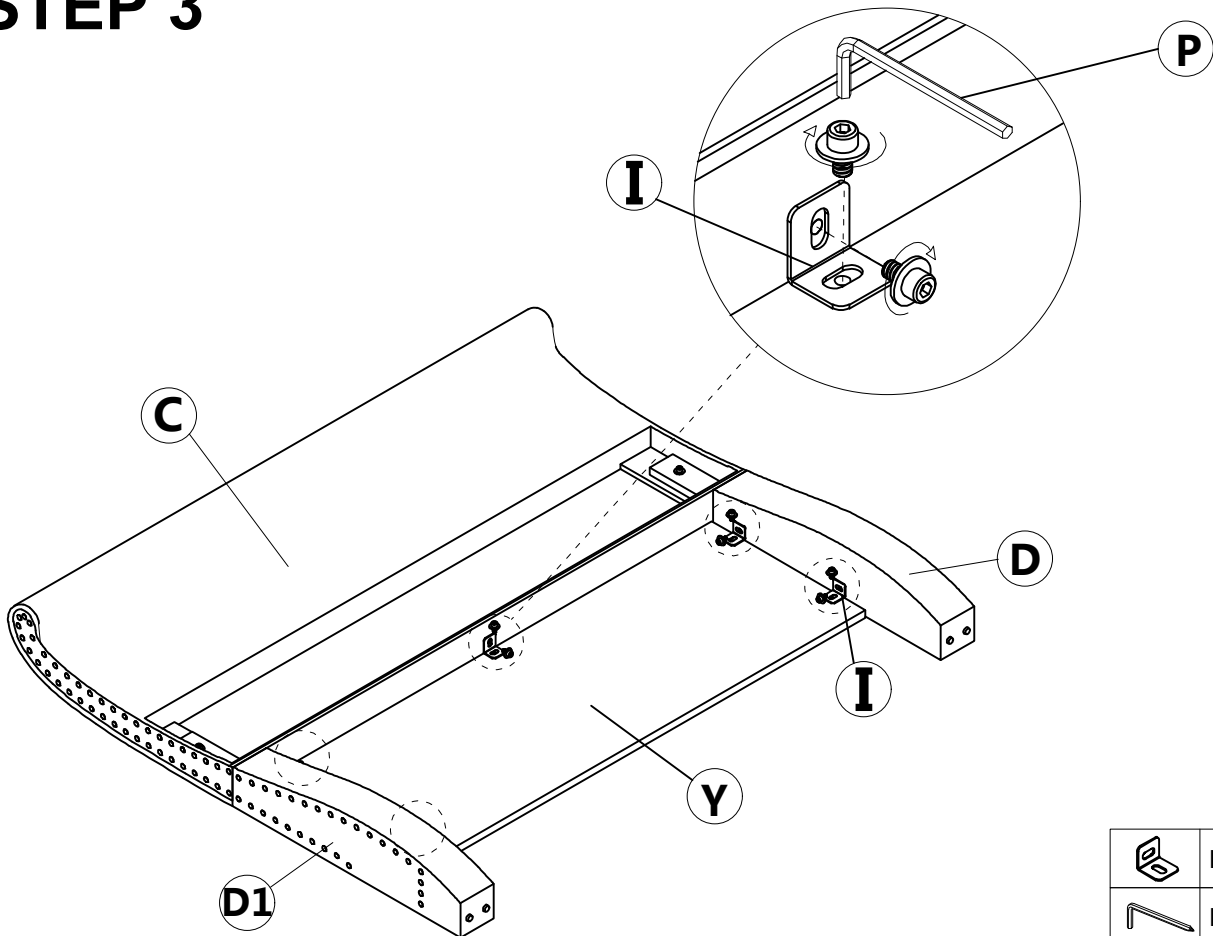




STEP 2



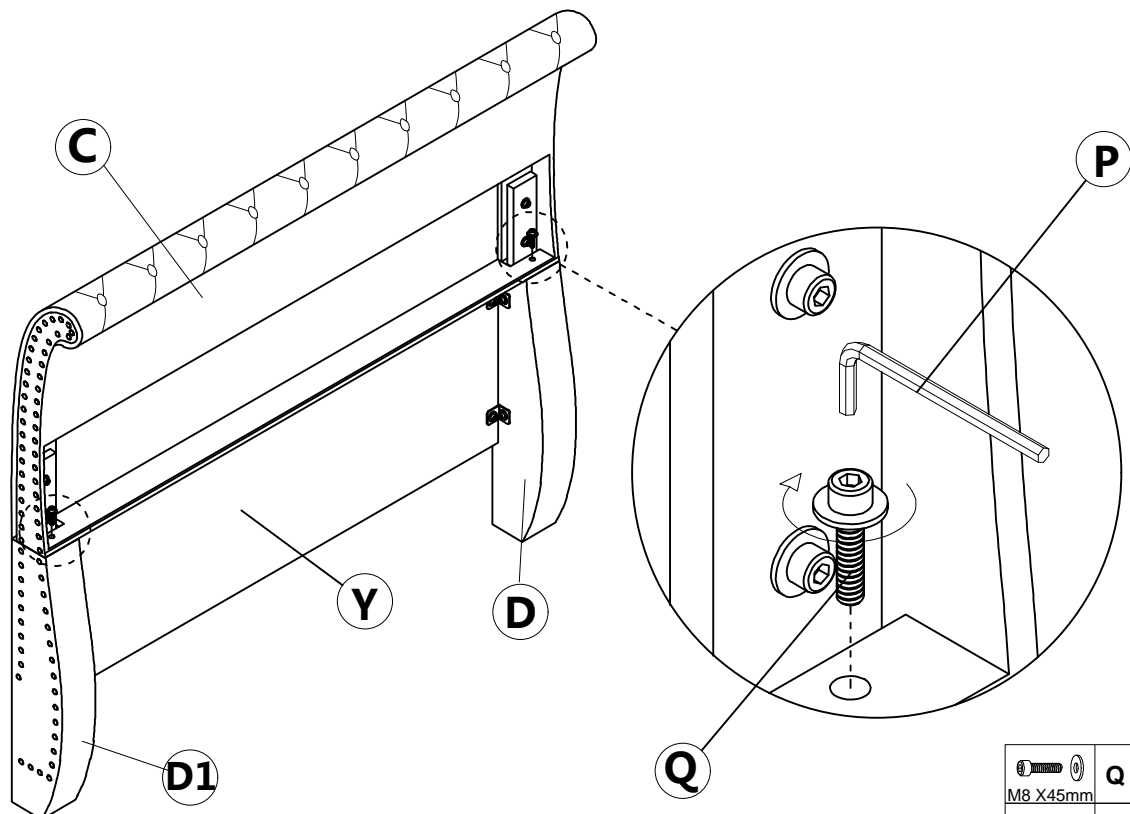
	N x 4pcs
M8 X40mm	
	P x 1pc

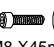

STEP 3



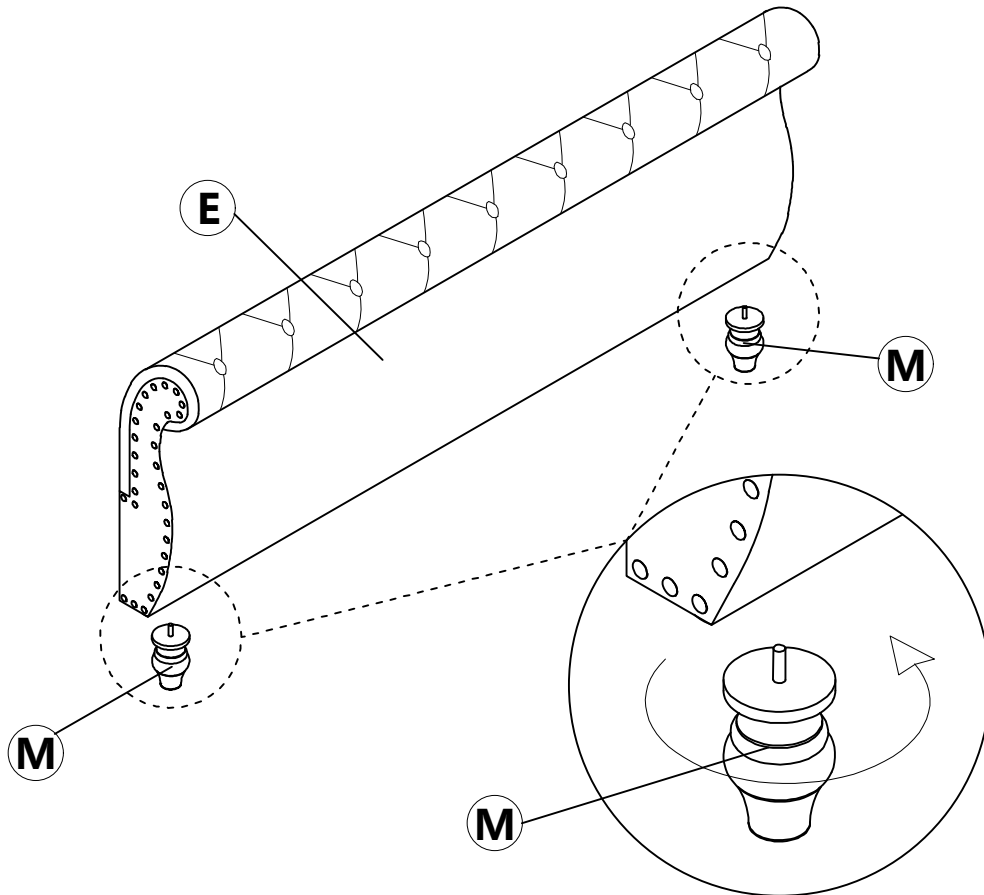
	I x 5pcs
	P x 1pc

STEP 4



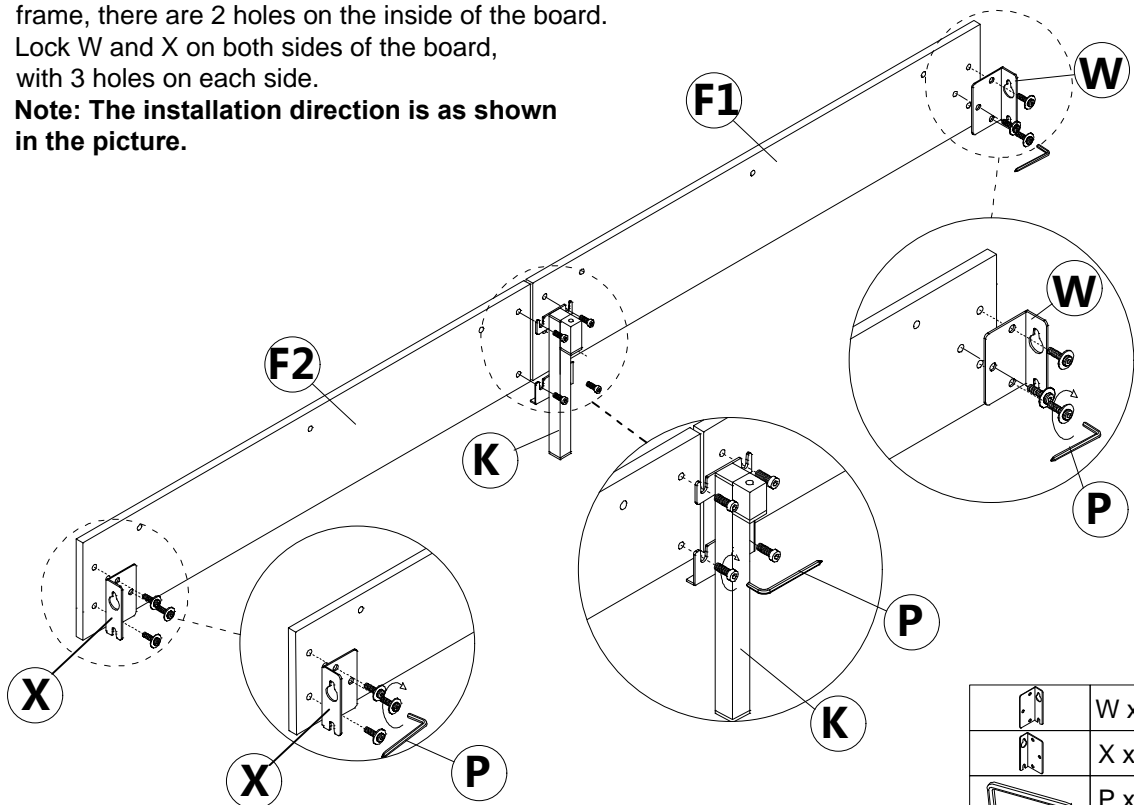
	Q x 2pcs M8 X45mm
	P x 1pc

STEP 5



STEP 6

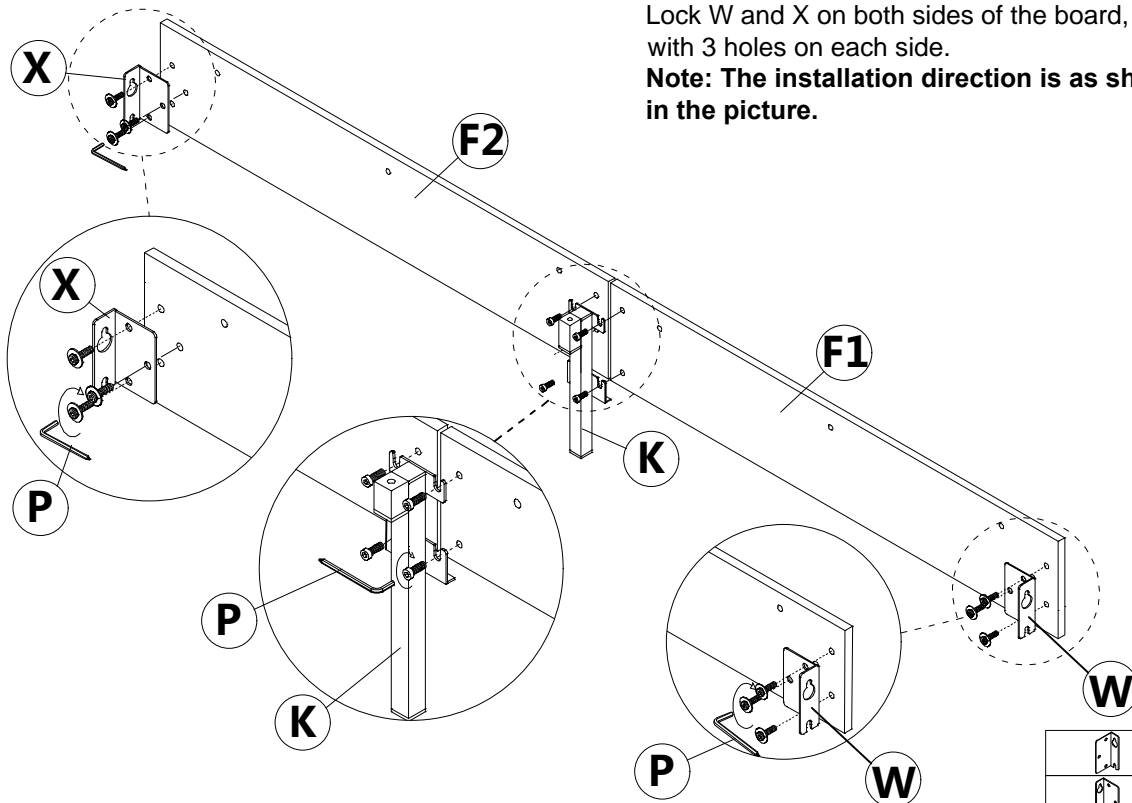
Connect F1 and F2 together with K, and lock the iron frame, there are 2 holes on the inside of the board.
 Lock W and X on both sides of the board, with 3 holes on each side.
Note: The installation direction is as shown in the picture.



STEP 7

Connect F1 and F2 together with K, and lock the iron frame, there are 2 holes on the inside of the board. Lock W and X on both sides of the board, with 3 holes on each side.

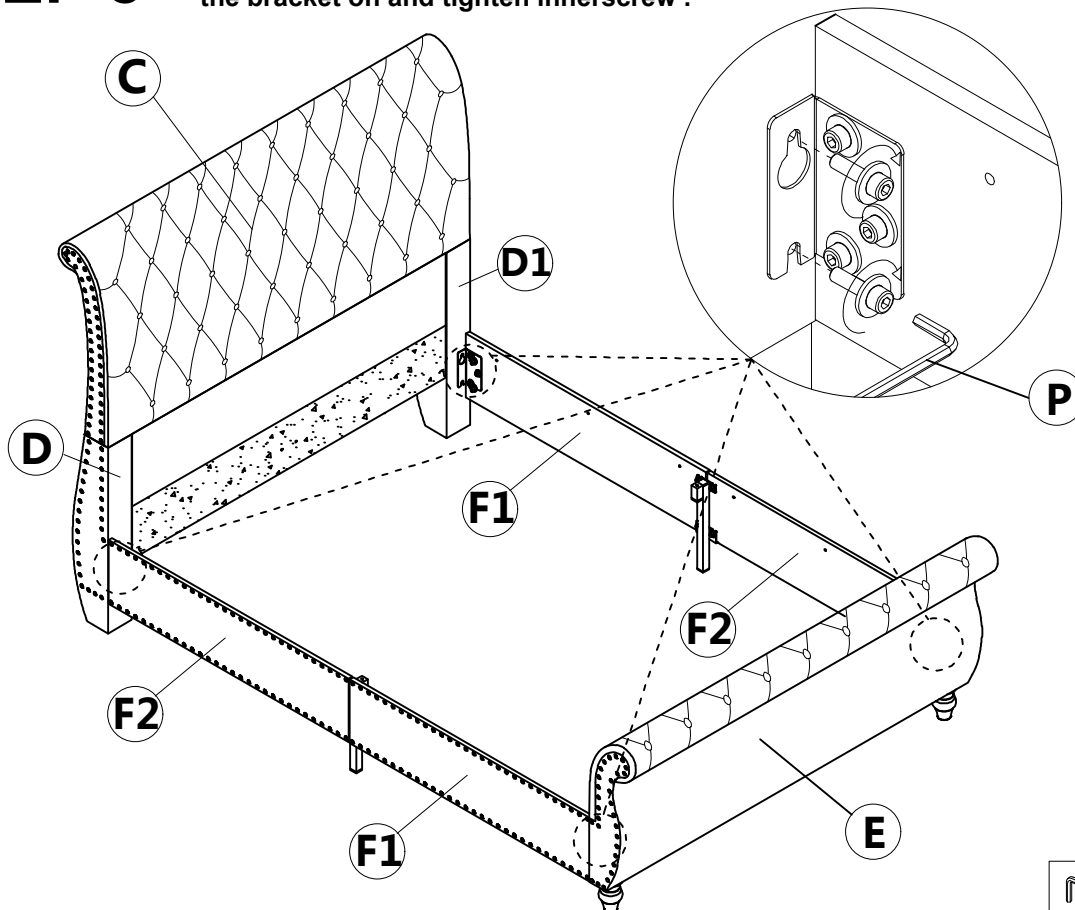
Note: The installation direction is as shown in the picture.



	W x 1PC
	X x 1PC
	P x 1PC

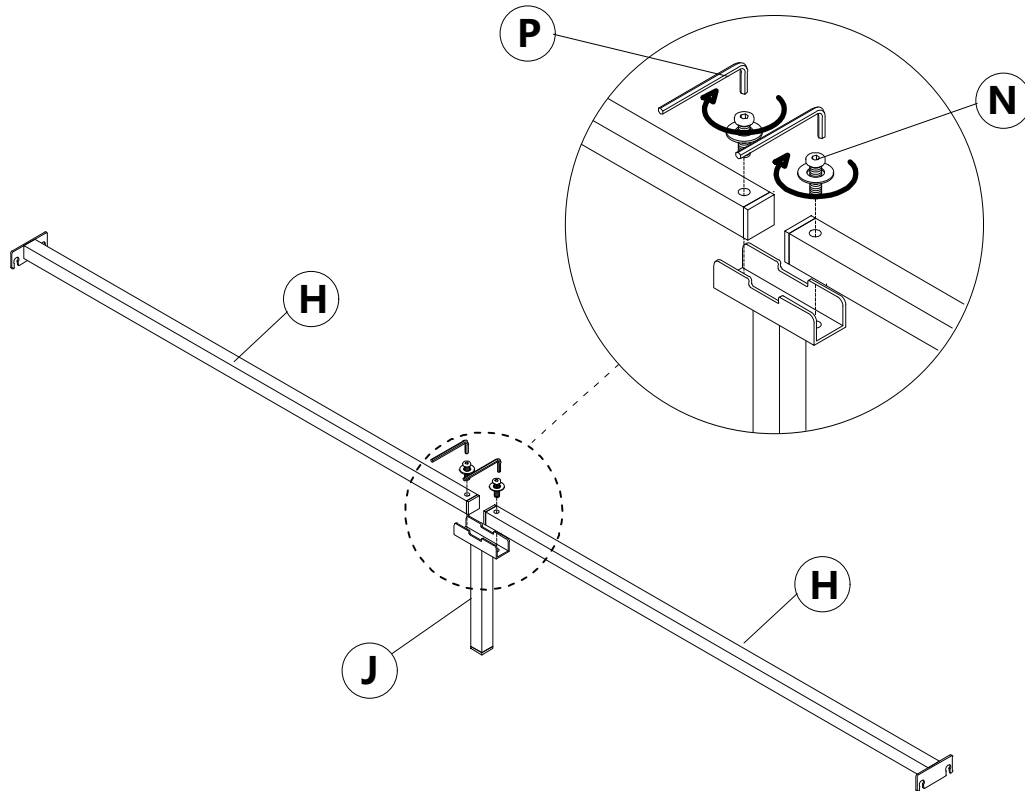
STEP 8

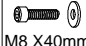

Loosen the screw of headboard side leg and both sides of footboard, then hang the bracket on and tighten innerscrew.



	P x 1pc
--	---------

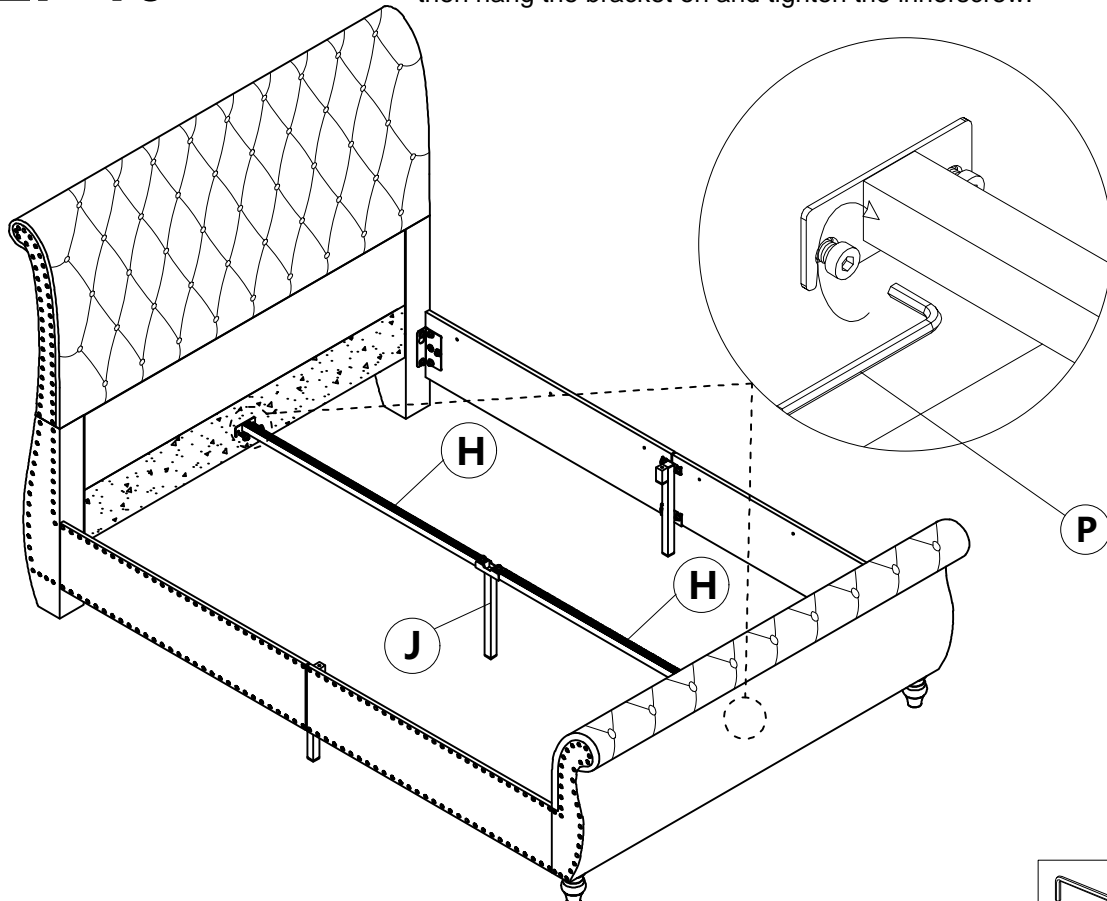
STEP 9




	N x 2pcs
M8 X40mm	
	P x 1pc

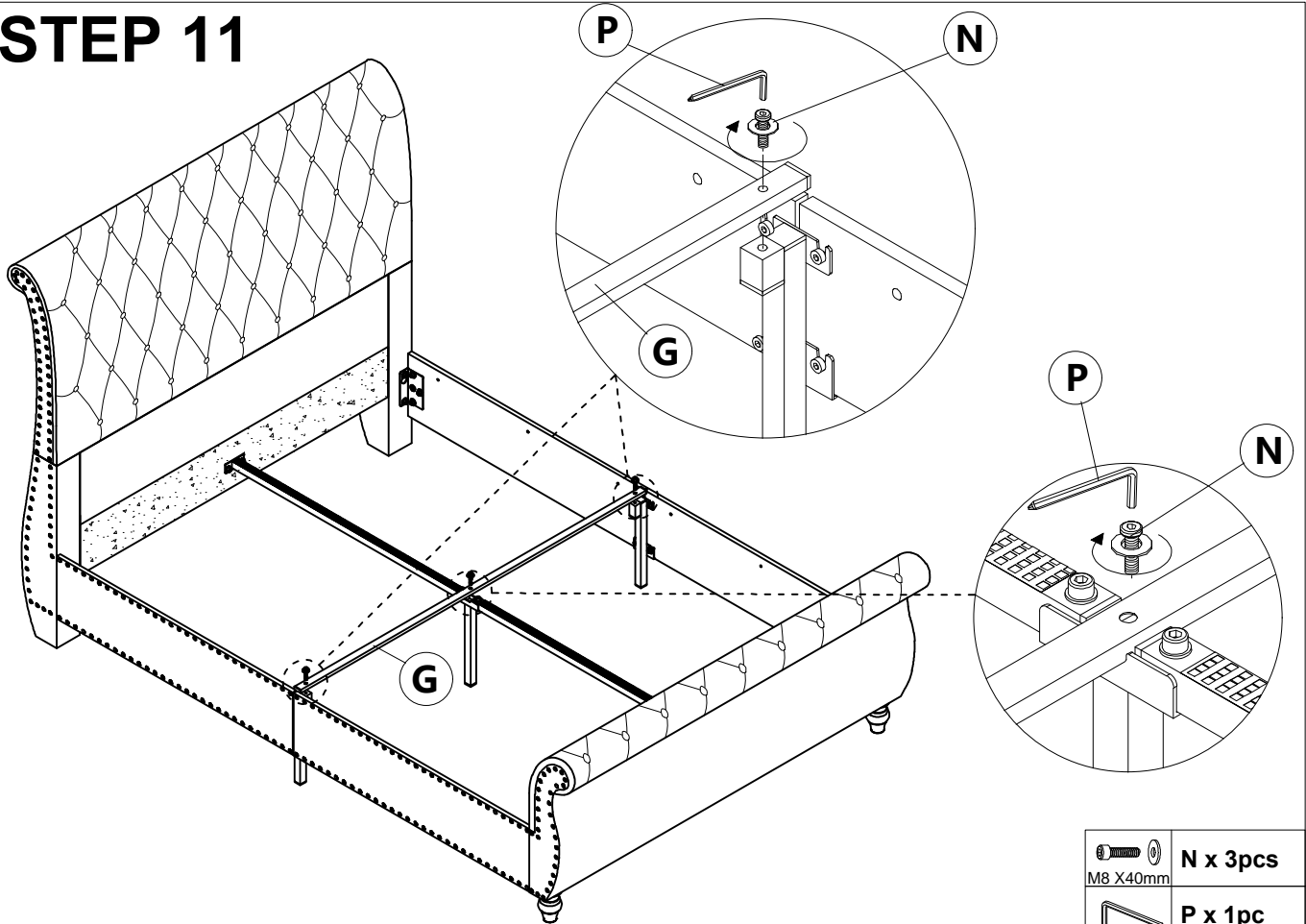
STEP 10

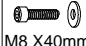

Loosen the screw in the middle of the footboard, then hang the bracket on and tighten the innerscrew.



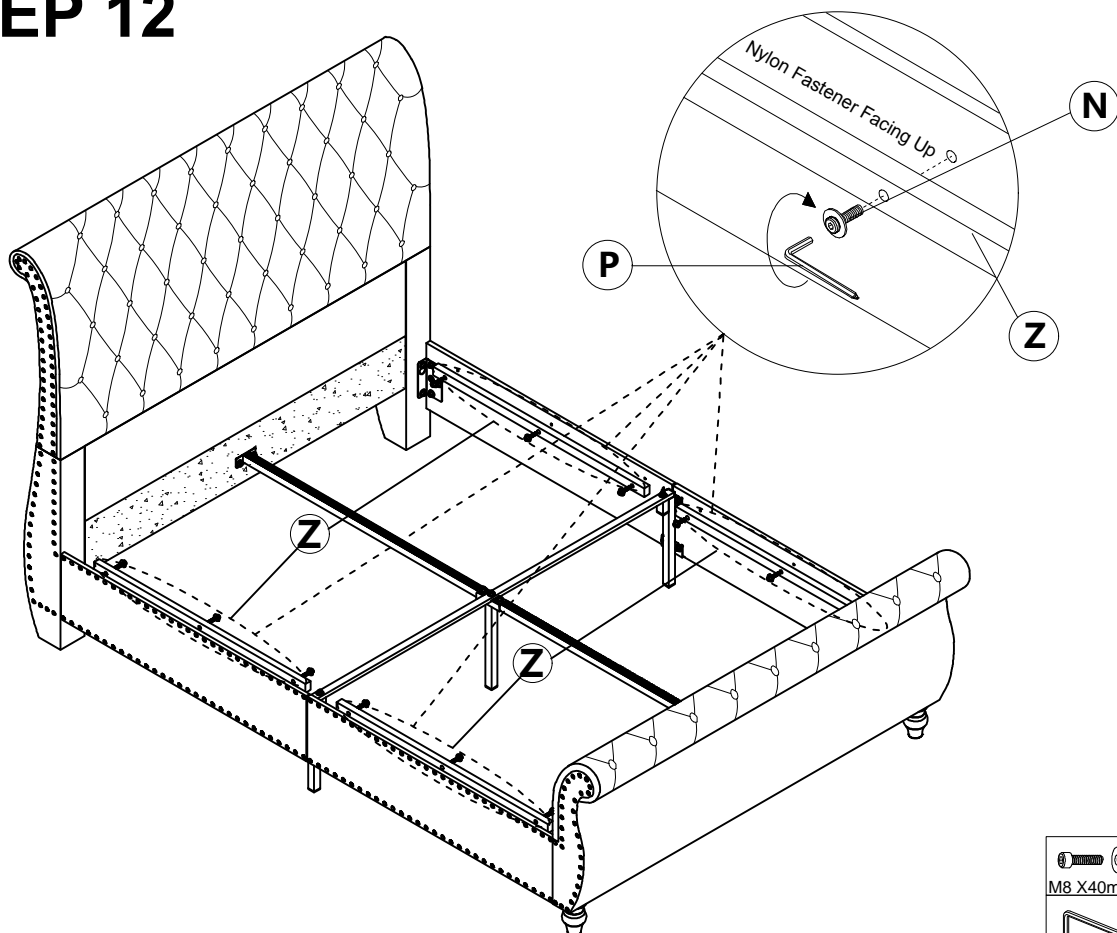
	P x 1pc
---	----------------

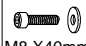

STEP 11



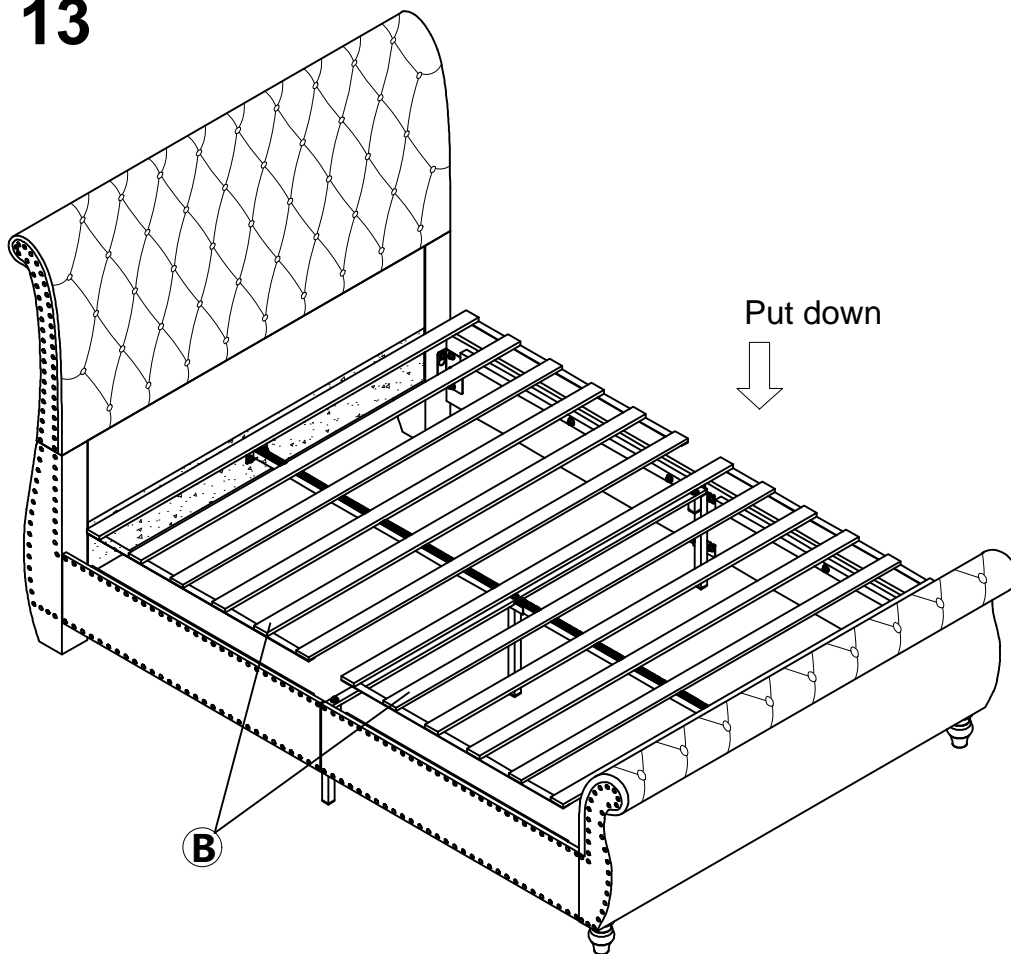
	N x 3pcs
M8 X40mm	
	P x 1pc

STEP 12

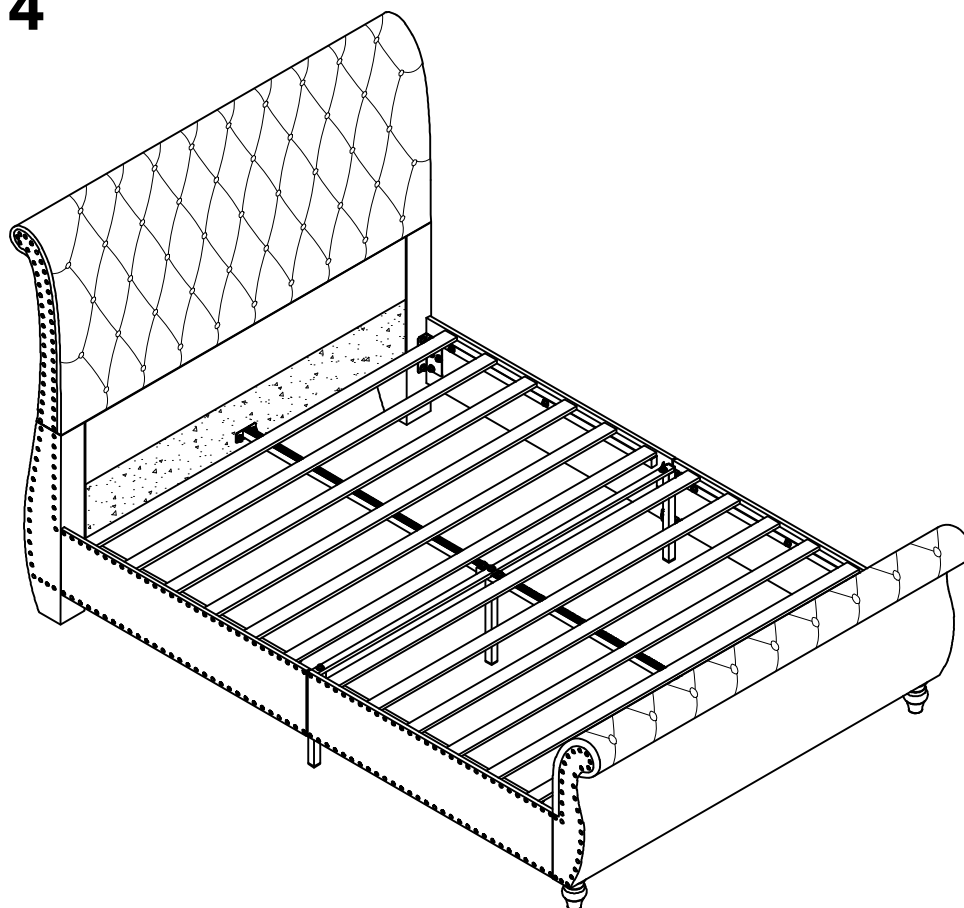


	N x 12pcs
M8 X40mm	
	P x 1pc

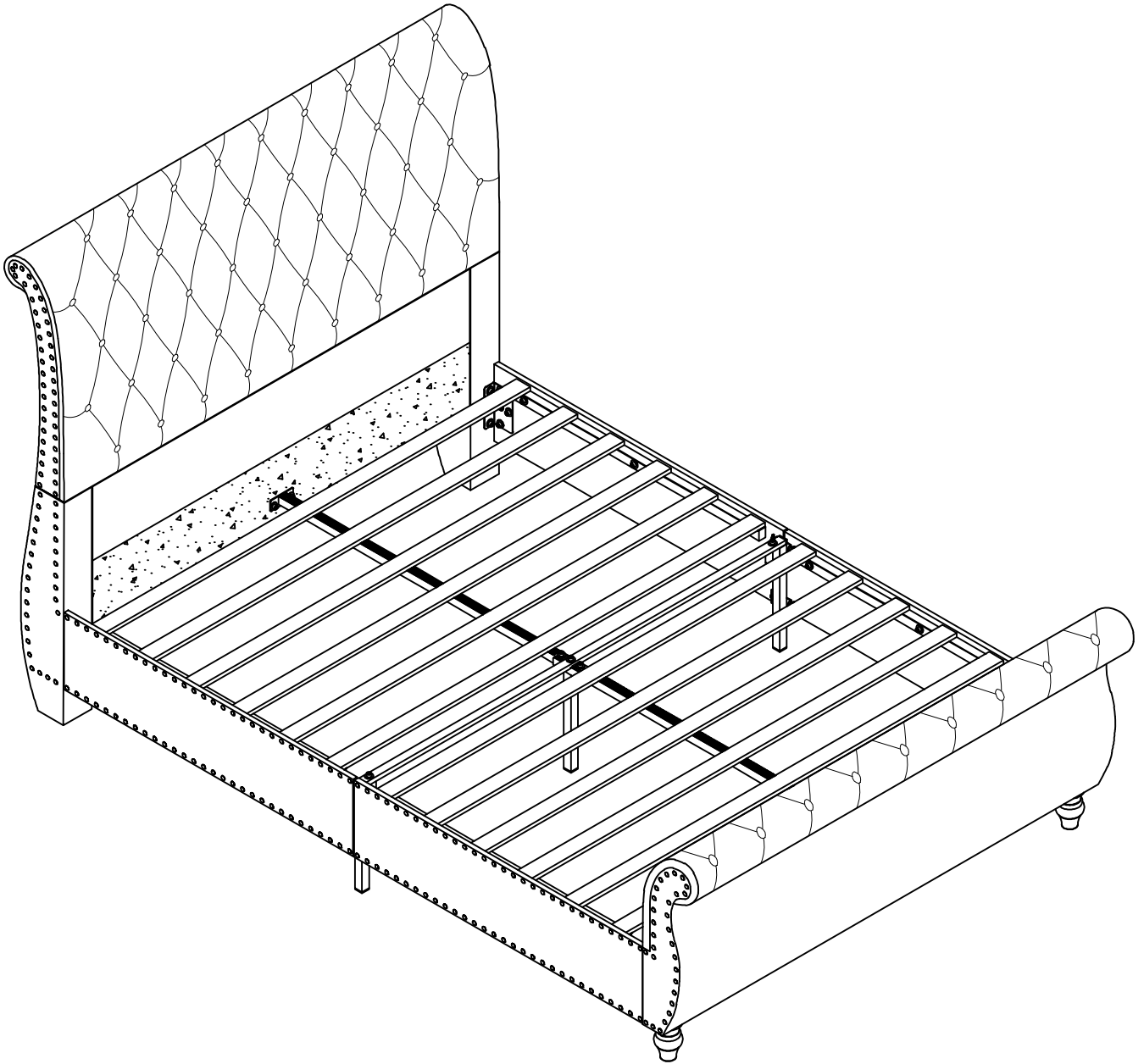
STEP 13



STEP 14



ASSEMBLY INSTRUCTIONS



Installation Complete