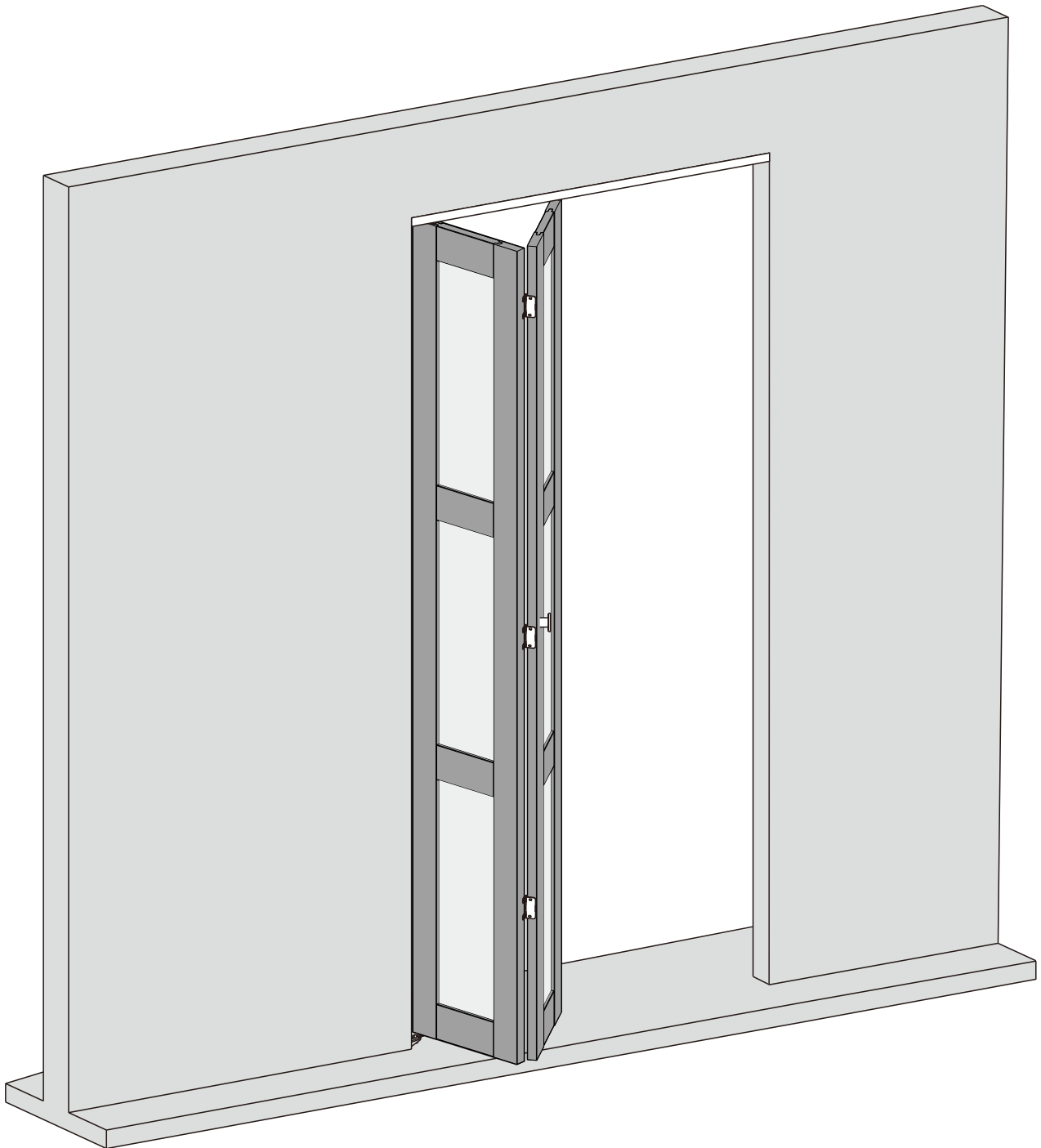


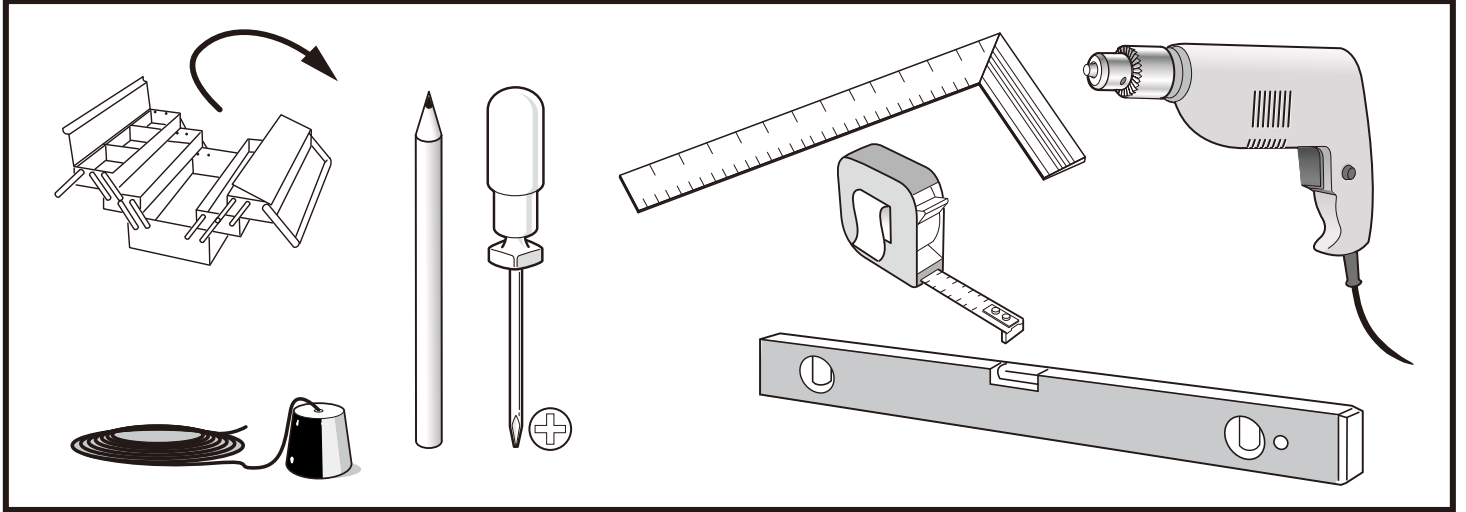
# Installation Manual

3BD-W24AL+TSQAL10-2FT

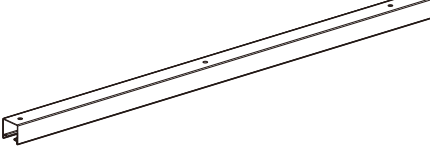
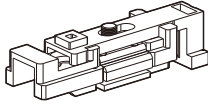
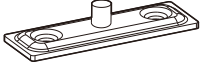
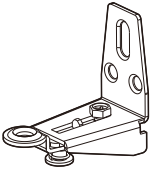
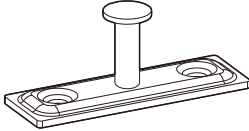
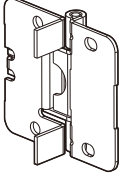
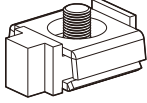
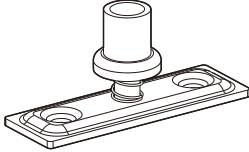
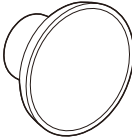


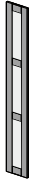
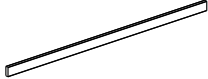


# PRE-INSTALLATION

## TOOLS REQUIRED

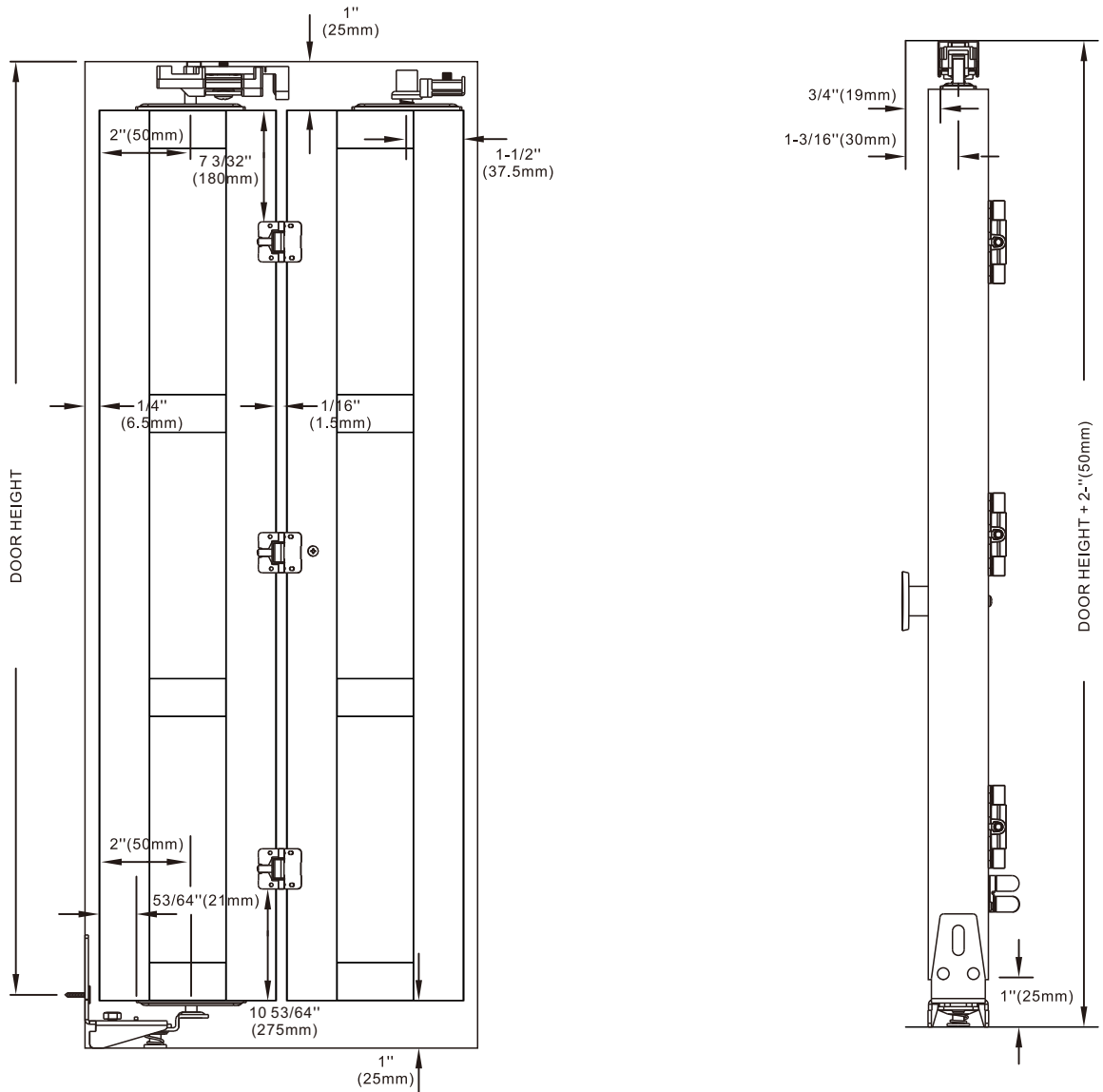
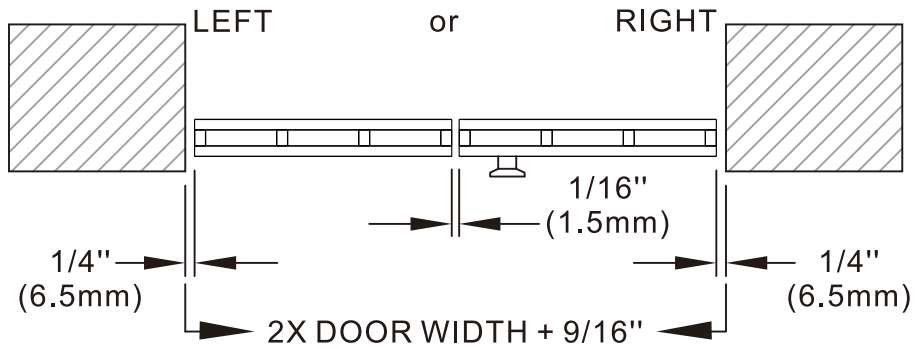


## HARDWARE INCLUDED

 (x1) ST4.2x32(x4)	 (x1)	 (x1)
 (x1)	 (x1)	 (x3) ST4.2x16(x12)
 (x1)	 (x1)	 (x1) ST4.2x32(x1)
 (x1)	 (x2) ST4.2x25(x9)	 (x2)  (x1)

To provide feedback on a particular part, please mark it by circling in the instruction manual and kindly send us a photo.

# Installation



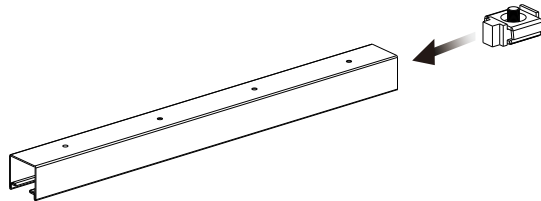
# Installation

## 1 Mount track

Mount track 3/4" (19mm) from front edge of head jamb.

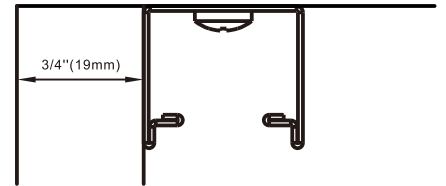
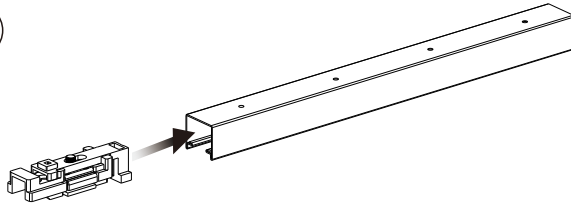


1

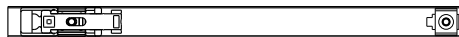


3

2

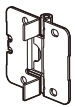


top view

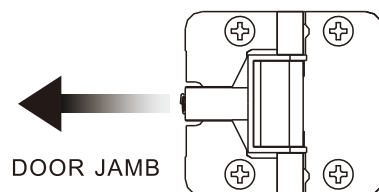


## 2 Mount hinges

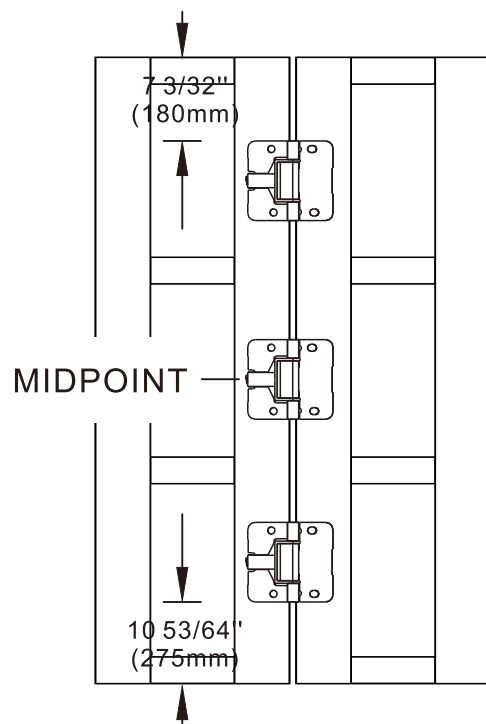
Mount hinges on back of door. Lay panels face down on a flat surface.



ST4.2X16



DOOR JAMB



# Installation

## 3 Fasten pivot plates



ST4.2X25

Fasten pivot plates to top and bottom of doors as shown.

RIGHT HAND SWING

TOP OF DOOR



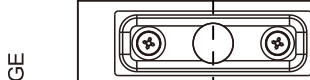
BOTTOM OF DOOR



JAMB EDGE

LEFT HAND SWING

53/64" (21mm)



JAMB EDGE

2" (50mm)



21/64" (8.5mm)



1-9/64" (29mm)

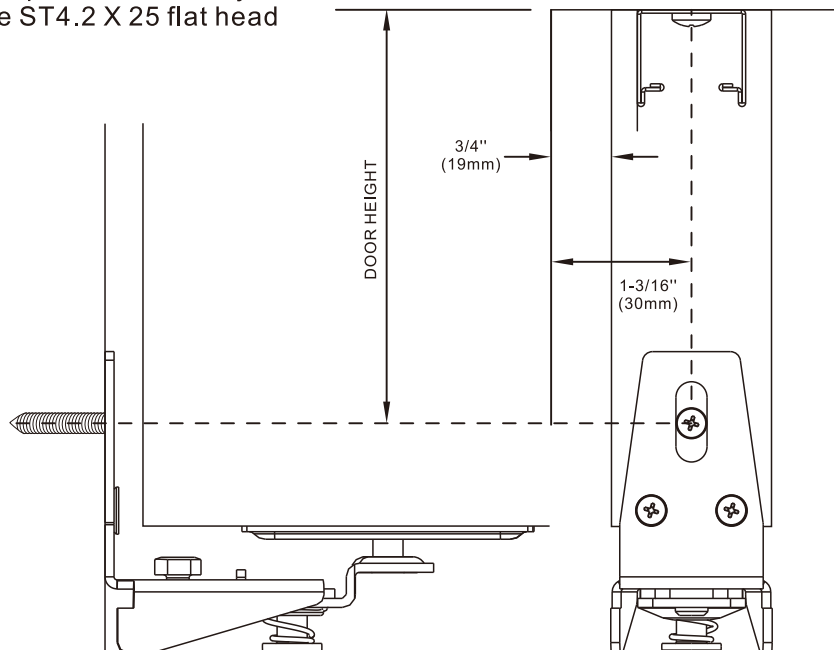


## 4 Mark location



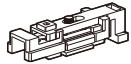
ST4.2X25

Mark location of Bottom pivot bracket on jamb. Fasten in place with one ST4.2 X 25 flat head screw.



# Installation

## 5 Hang doors



(x1)



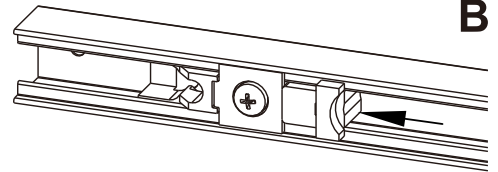
ST4.2X25

**Hang doors:** Make sure Track pivot lock is in the unlocked position.

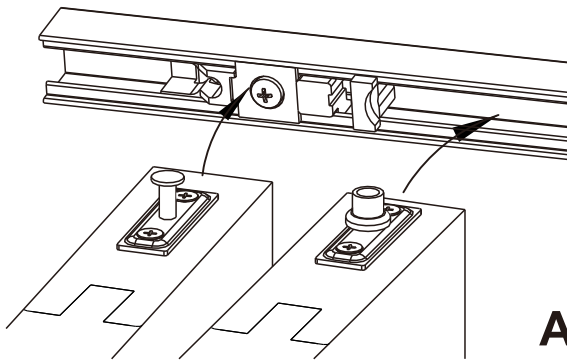
(A) Fold doors and insert Door hanger plate into track groove. Place Top pivot into receptor of Track pivot lock.

(B) When firmly seated, slide tab lock toward pin. Door now should be hanging from Top pivot.

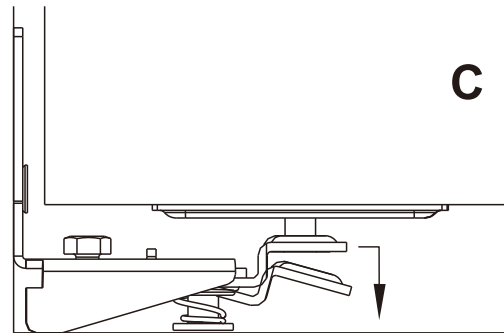
(C) Depress Bottom pivot bracket socket arm and insert Bottom pivot. If no vertical adjust is needed, secure Bottom pivot bracket with other 2 screws. Use wrench for horizontal adjustment of Top pivot lock and Bottom pivot bracket.



B



A



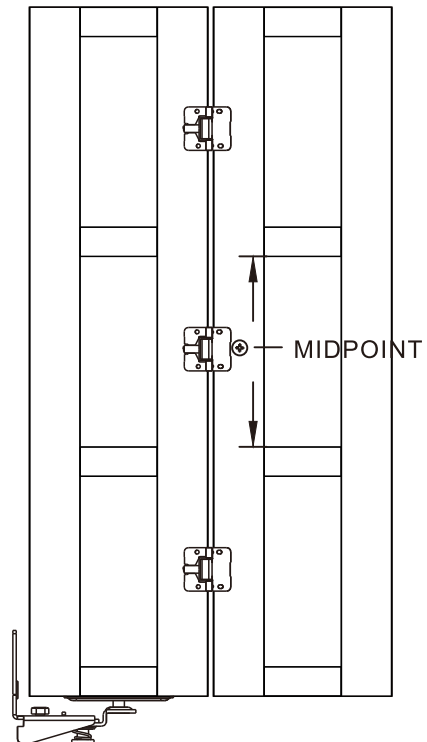
C

## 6 Mount knob



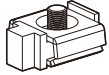
ST4.2x32

Install knob on the door with ST4.2x32 screw.

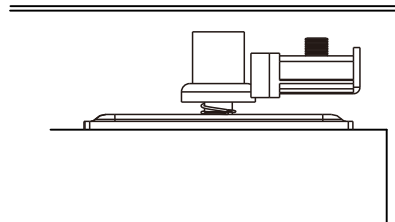
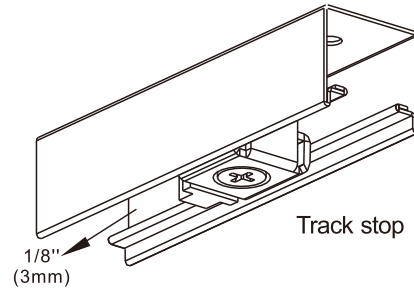


# Installation

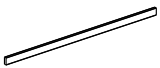
## 7 Adjust Track stop



**Adjust Track stop** Close doors, slide Track stop until it touches Door hanger plate. Open doors, move Track stop 1/8" (3mm) closer to Door hanger plate and tighten, Doors should "snap" shut yet open easily by a slight pull on the knob.



## 8 Fascia Install



By removing the tape backing and pressing against the track, attach the fascia to the upper corner of the track. Cut the fascia if necessary.

