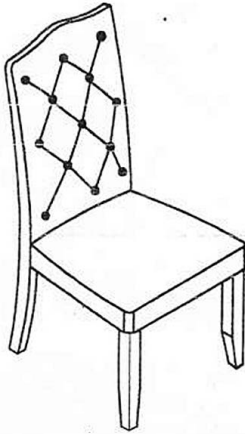
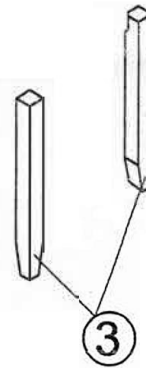
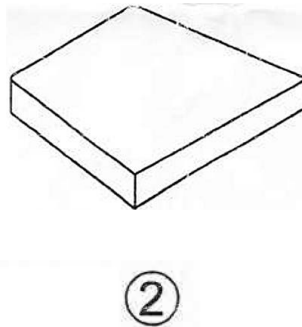
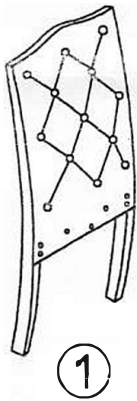
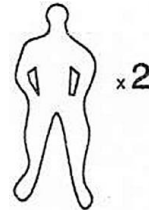


UPHOLSTERY SIDE CHAIR



ASSEMBLY INSTRUCTIONS

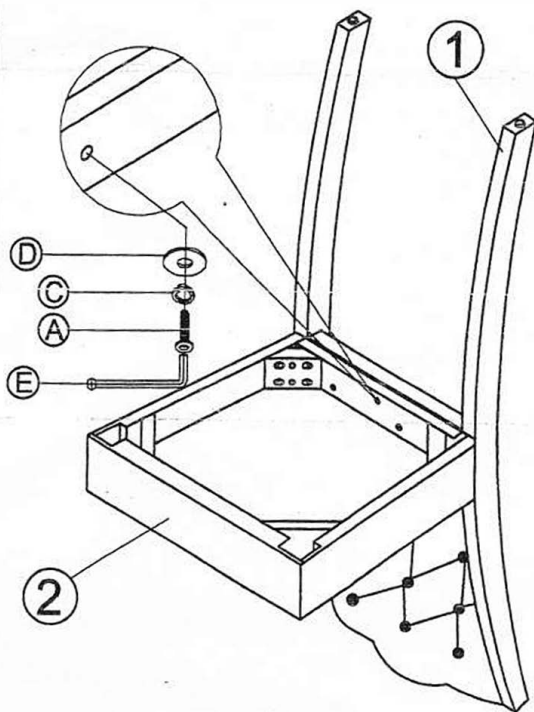


Hardwares

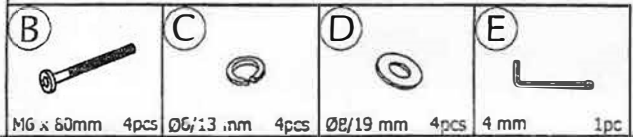
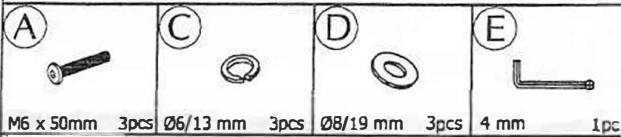
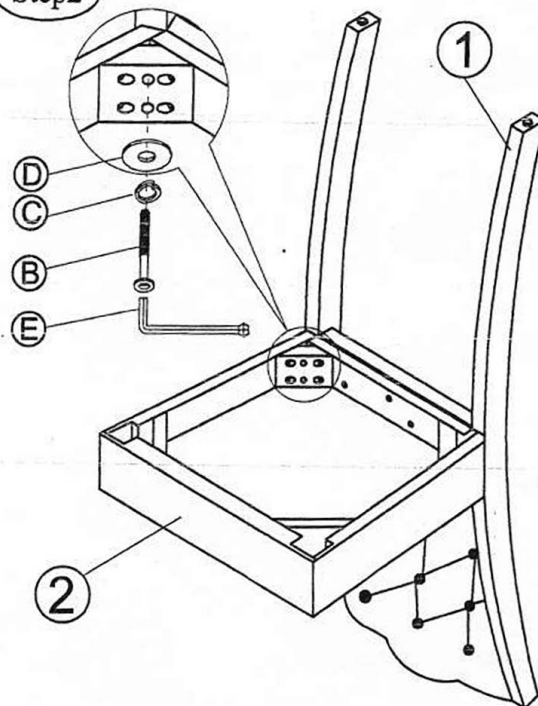
CODE	PICTURE	SIZE	AMOUNT
A		M6 x 50mm	7 pcs
B		M6 x 80mm	4 pcs
C		Ø6/13 mm	11 pcs
D		Ø8/19 mm	11 pcs
E		4 x 110 mm	1pc

NOTE: Do not fully tighten all screws and bolts until the entire item is completely assembled

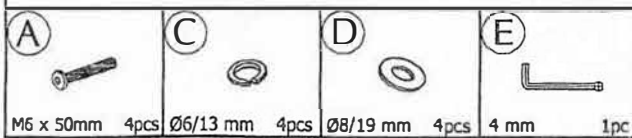
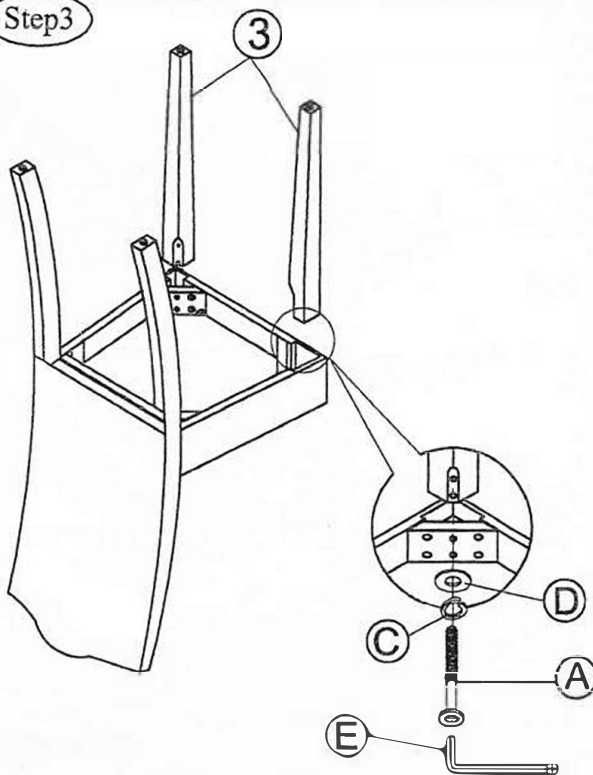
Step 1



Step 2



Step 3



COMPLETE

