

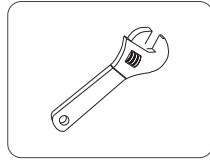
Resin Bathtub



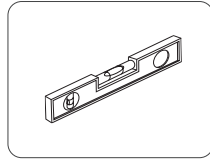
⚠ Caution 🚫 Forbidden ! Mandatory

The above symbol indicates that ignoring the cautionary information during use may result in personal injury or damage to the bathtub. Therefore, it is essential to read the instruction manual before use and follow the rules in the manual for safety purposes.

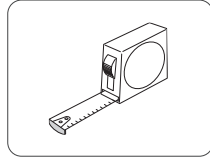
⚠ Required Tools



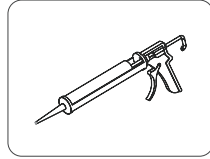
Wrench



Spirit Level



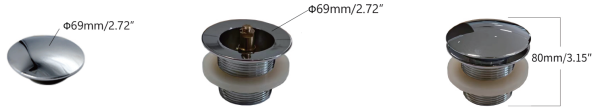
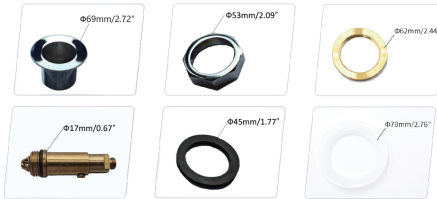
Tape Measure



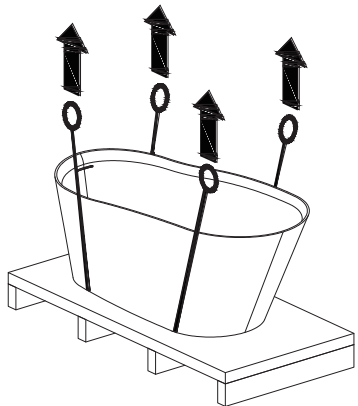
Glue Gun

⚠ Drainage Parts Set

- STAINLESS STEEL POP-UP DRAIN
- EXPANDABLE AND FLEXIBLE PVC DRAINPIPE

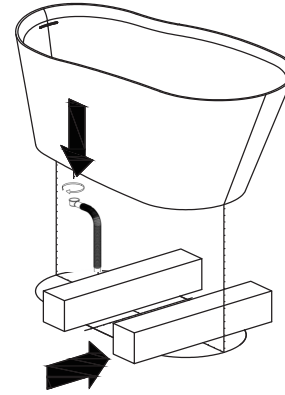


⚠ Installation Method

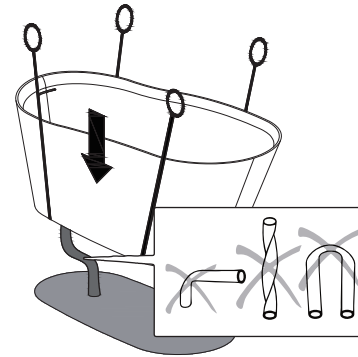


STEP1. Lift the bathtub from the pallet and slowly move it to the installation position. Be careful not to scratch the bathtub during this process.

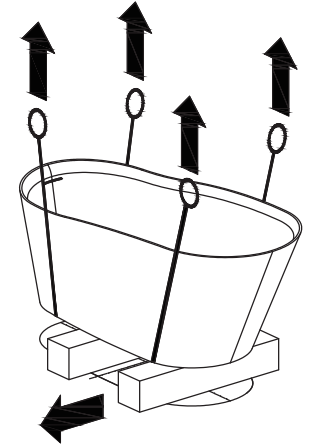
⚠ Installation Method



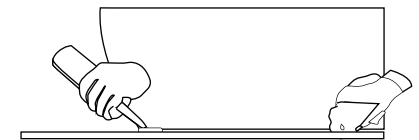
STEP 2. Place the bathtub on the square timbers and install the water pipes as shown in the diagram. At this point, check whether the water pipes are leaking. Finally, insert the waste pipe into the drain outlet.



STEP 4. When installing the waste pipe, be careful not to let it cross or overlap.



STEP 3. After installing the drain assembly, lift the bathtub while removing the square timbers, then slowly lower the bathtub. Once the bathtub is installed, fill it with water to check if the pipes are leaking.



STEP 5. Finish your installation by running a bead of neutral cure silicone sealant around the base of the tub where it meets the floor. Wipe away any excess sealant with a damp cloth.