

# Owner Manual



# NOTICE

THE PILLOWS ARE FILLED WITH CUT SPONGE,  
WHICH IS A PRODUCING TECHNIQUE.

WE PROMISE THAT ALL RAW MATERIALS  
USED ARE BRAND NEW, SAFE TO USE,

AND IN ACCORDANCE WITH LAWS AND REGULATIONS,  
WILL NOT EFFECT THE QUALITY AND SAFETY.

WE RECOMMEND ASK FOR PROFESSIONAL HELP IF NEEDED,  
AND WE ALSO PROVIDE INSTALLATION VIDEO WITH THIS INSTRUCTIONS,  
PLEASE CHECK THE STEPS CAREFULLY BEFORE YOU START.

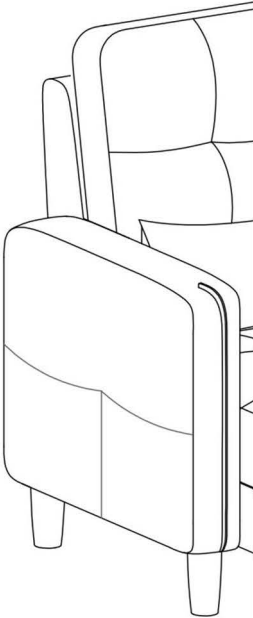
IF YOU HAVE ANY QUESTIONS,  
PLEASE FEEL FREE TO CONTACT US ANYTIME.

HAVE A GREAT DAY!



# WARRANTY

We strive to offer high quality product and we also try our best to satisfy each customer that order from us, no matter on products or services as needed. Each customer receives a record of their order, such as the order number or item receipt. For any items that are out of warranty period, you may still be able to purchase the replacement parts from our company if they are available.



# MAINTENANCE AND WARNING

Please read the manual throughly before  
you start install.

Please always use proper tools for  
installment.

Packaging and small parts may have  
chocking hazard, please keep them away  
from children and pets.

Please clean the product with dry clean  
cloth, some of the parts may be able to  
wash directly. Check with the product  
description!

Please keep the product away  
from fire.

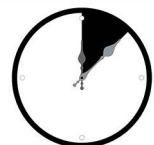
Please keep the product away from  
sharp objects.

IF the product is placed under direct  
sunlight, the pattern or color might  
fade away.

Do not jump on the product.

Check the product periodically to make  
sure everything is tightened.

If you have any questions else, please  
contact us,we will be glad to help  
you out.



Around 45 min

# PRODUCT DESCRIPTION

Simple yet comfy, your ideal relaxing choice.

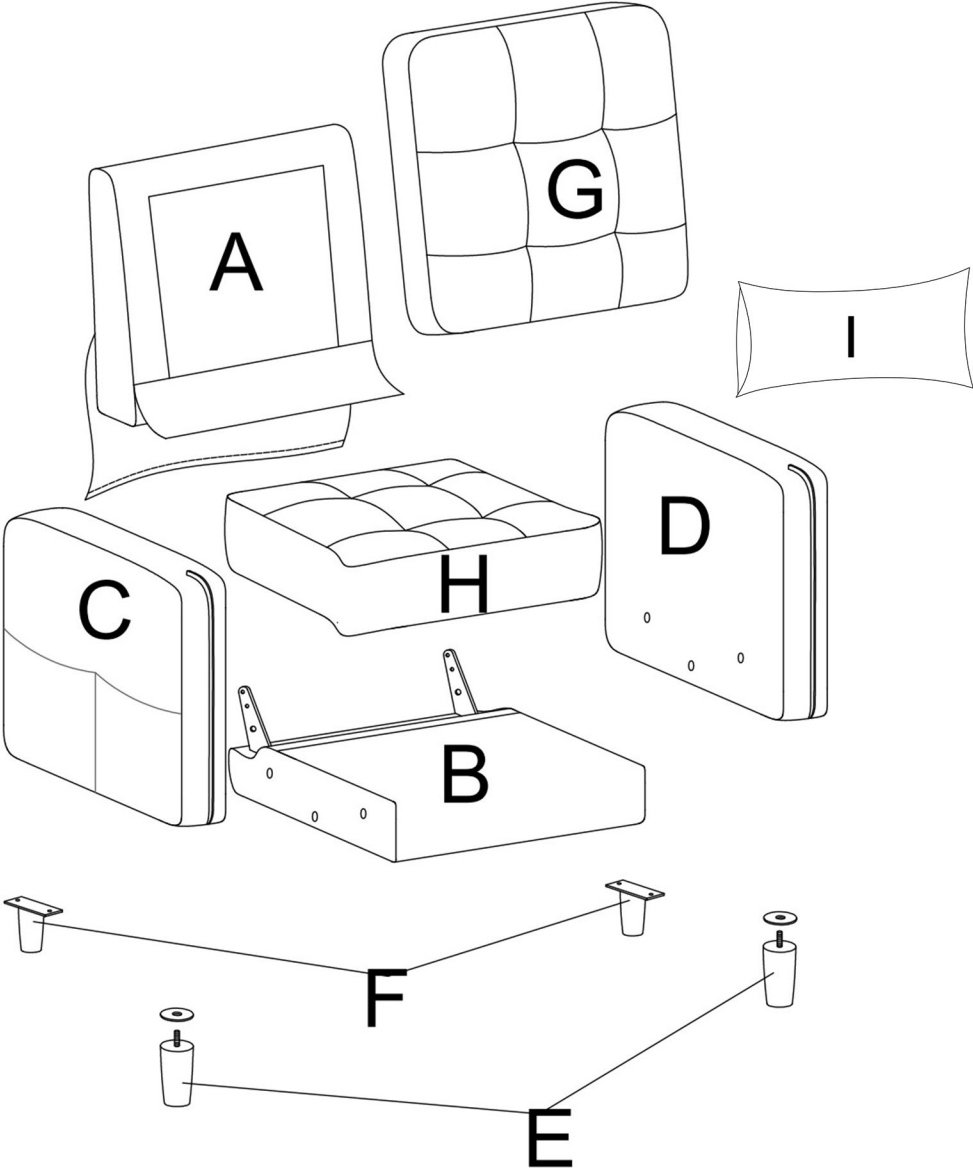
Retro and minimalist, elegant corduroy fabric provides luxury yet smooth texture.

3 levels of adjustment allows you to rest your back in breeze.

Reception room, Living room, Bedroom, Patio

Provides more storage space while giving out comfort.

# EXPLODED VIEW



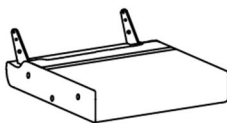
# PARTS

A\*1



Backrest

B\*1



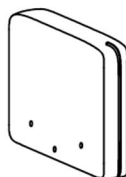
Seat frame

C\*1



Right arm

D\*1



Left arm

E\*2



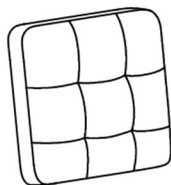
Front legs

F\*2



Rear legs

G\*1



Back cushion

H\*1



Seat cushion

I\*1



Pillow

# HARDWARE

## TOOL LIST

NOTE: Designated with (★) We provide additional spare parts in the hardware package

①\*4



★ Bolts

②\*6



★ Bolts

③\*10



★ Flat washer

④\*1



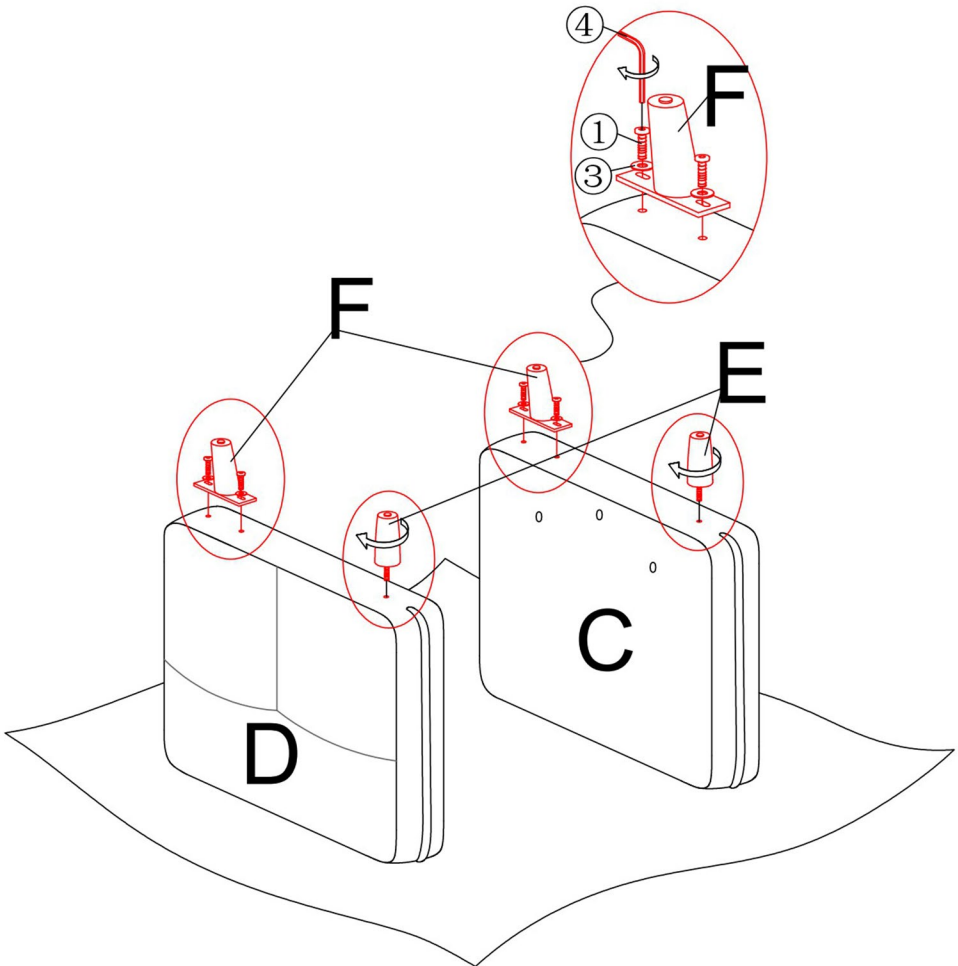
Allen key

Please make sure all hardware & packing material fitting the list. Especially some small accessories may be missing during transportation. Please contact us if you have any question.

# step 1

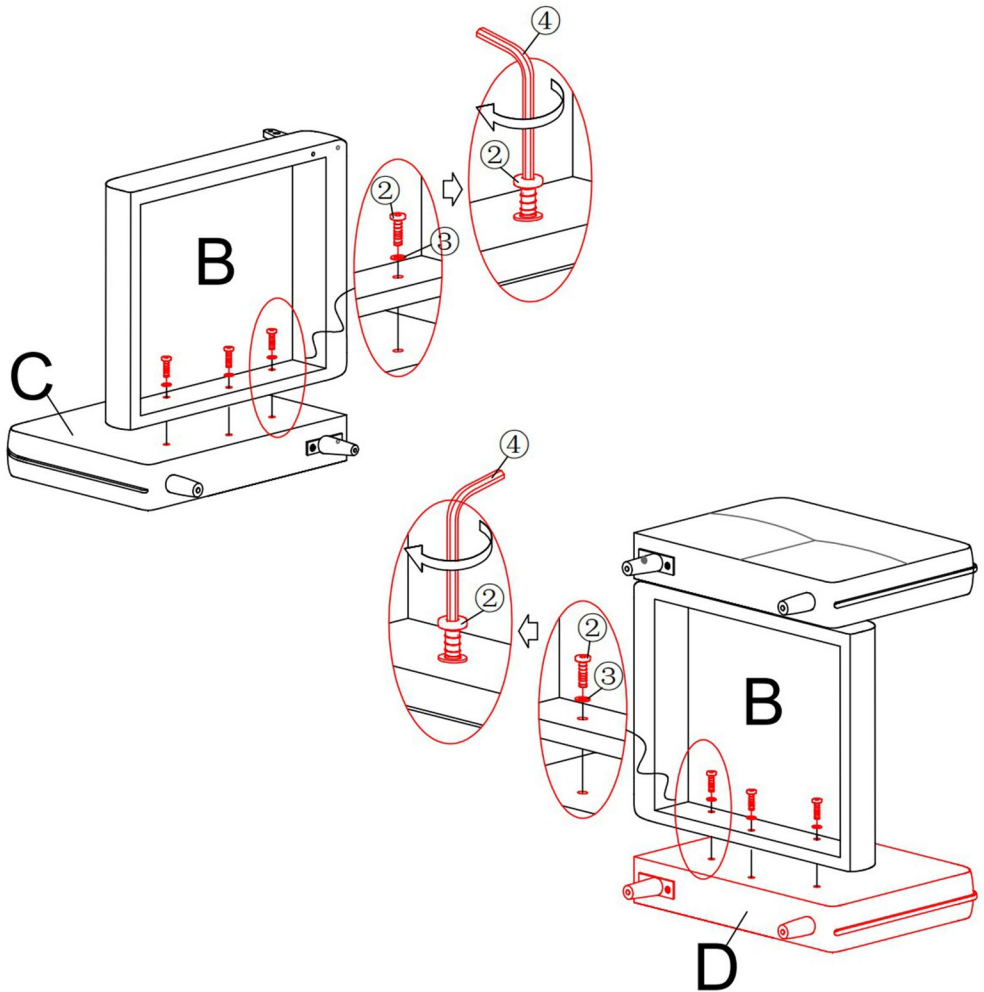
First place a flat washer(3) on each bolt(1) as shown, then align the bolt holes on both rear leg(F) and the armrests, use the allen wrench(4) to tighten all bolts by 30-50% first, make sure all bolts are aligned correctly before fully tightening.

Then place one washer onto each front leg as shown, and twist the legs into the armrests.



# step 2

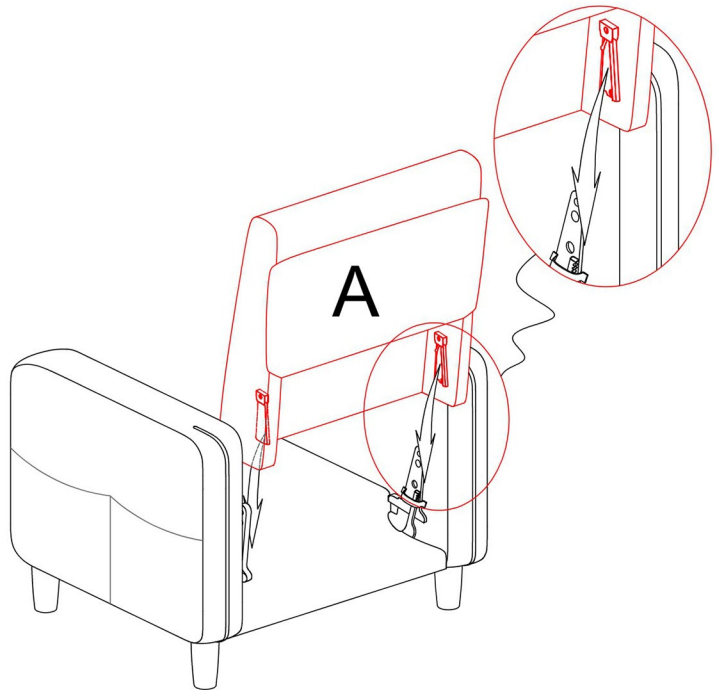
First place one washer(3) on each bolt(2) as shown, then align the bolt holes on both seat frame and the armrests(C&D), use the allen wrench(4) provided to tighten all bolts by 30-50 % first, make sure all bolts are correct before fully tightening.



# step 3

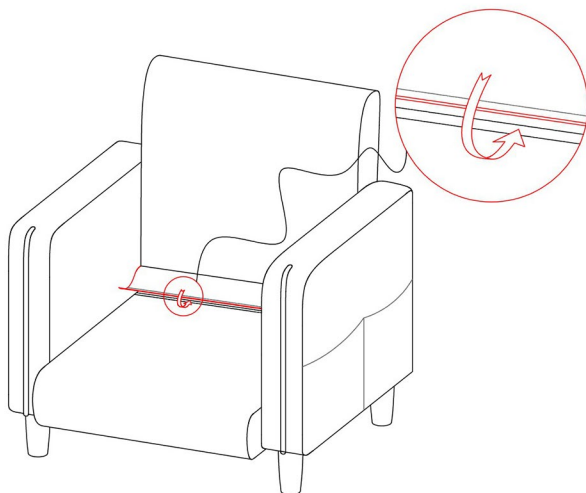
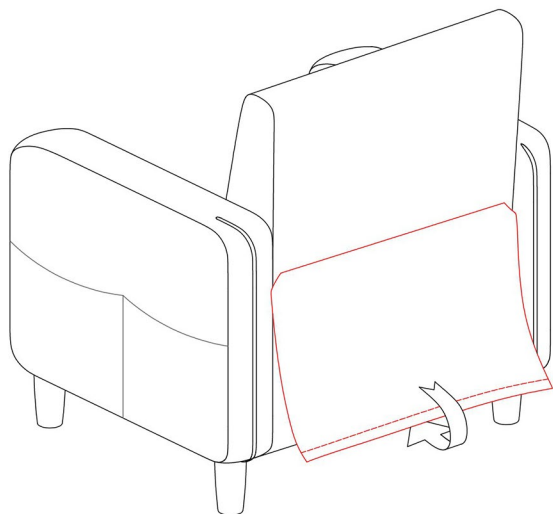
Install the backrest(A) onto the pre assembled part as shown. Make sure the iron connectors on both sides are aligned to the correct slots before pushing down.

Notice: We suggest push down the backrest harder, make sure the metal parts are interlocked tightly together. In case of causing damage to product.



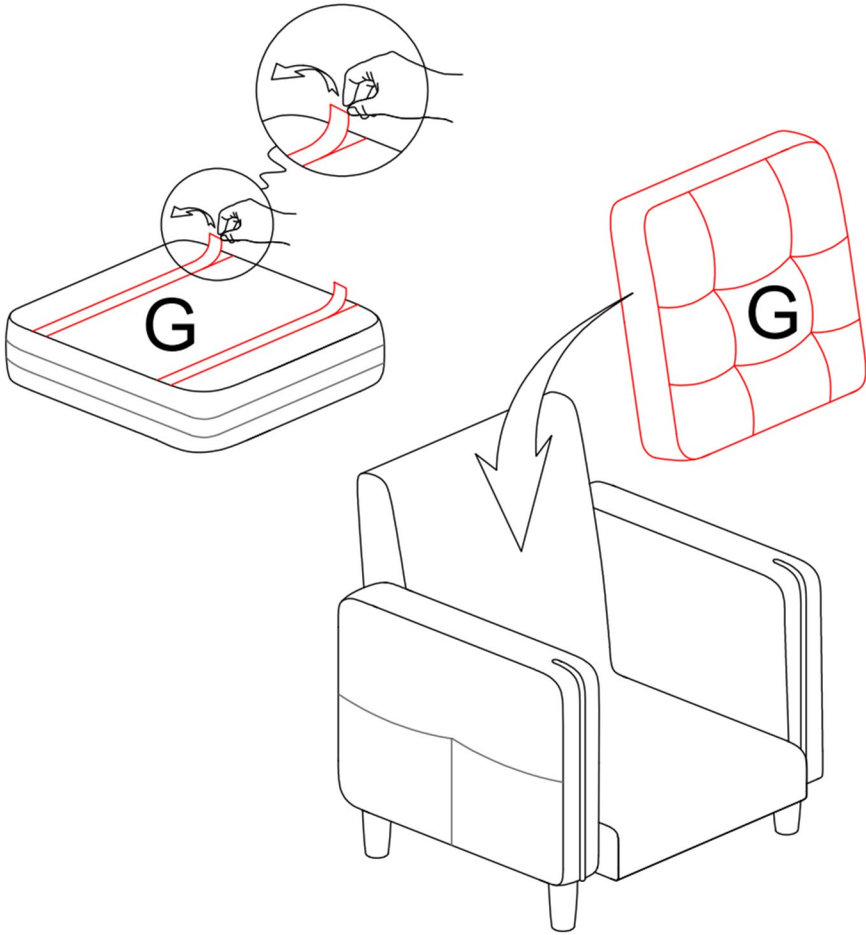
# step 4

Stick the Velcro cover on the back of the chair as shown.  
Stick the Velcro cover on the chair as shown.



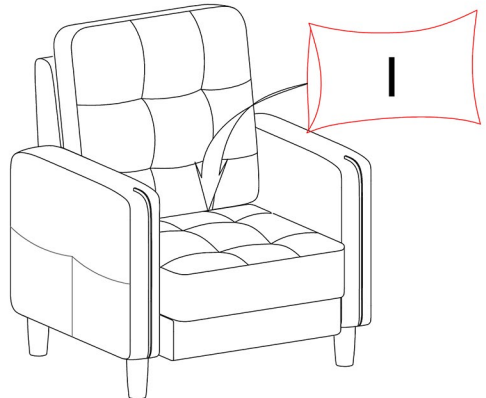
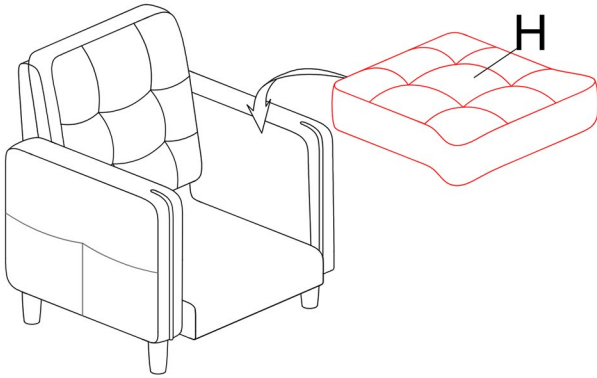
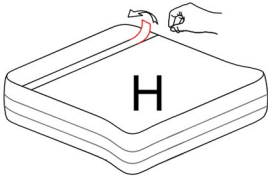
# step 5

Tear off the Velcro strip cover on the bottom of the back cushion(G) as shown, and place it on the seat.



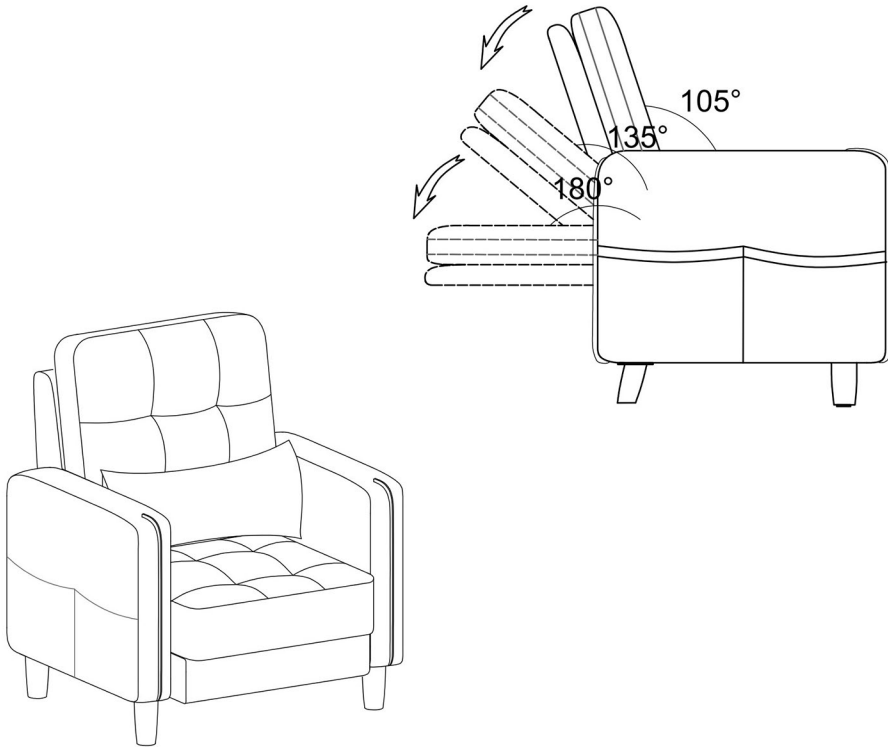
# step 6

Tear off two Vecro strip covers on the bottom of the seat cushion (H) as shown, and place the cushion and the pillow (I) on the chair.



# step 7

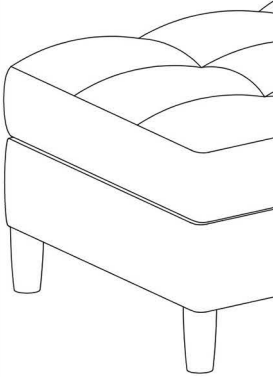
Stand by the side of the chair, push the backrest forward a little, then pull it back until the backrest is around 135 degree. When you hear the locking sound of the metal parts, the second gear is fixed. If you want to use the recline function, push the backrest forward a little, then pull the backrest all the way down to 180 degree, or until you hear the locking sound of the metal part.



Congradulations, the assembly is complete! Thank you again for choosing our product! Please enjoy!

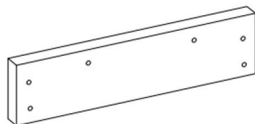
# WARRANTY

We strive to offer high-quality product and we also try our best to satisfy each customer that orders from us with product or service as needed. Each customer receives a record of their order, such as the order number or item receipt. For any items that are out of the warranty period, you may still receive replacement parts by purchasing them from our company if they are available.



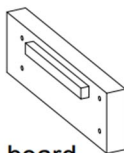
# PARTS

L\*1



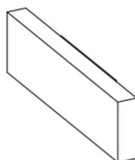
Back board

N\*1



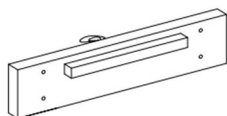
Side board

M\*1



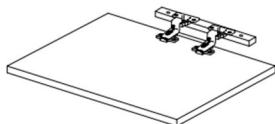
Side board

O\*1



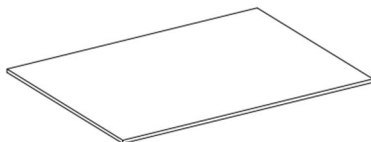
Front board

K\*1



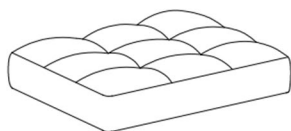
Top board

P\*1



Bottom board

J\*1



Seat cushion

Q\*4



Legs

# HARDWARE

## TOOL LIST

NOTE: Designated with (★) We provide additional spare parts in the hardware package

⑤\*16



Bolts

⑥\*2



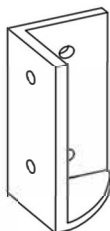
Bolts

⑦\*2



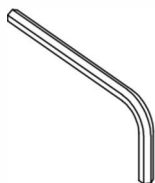
Flat washer

⑧\*4



Connecting iron

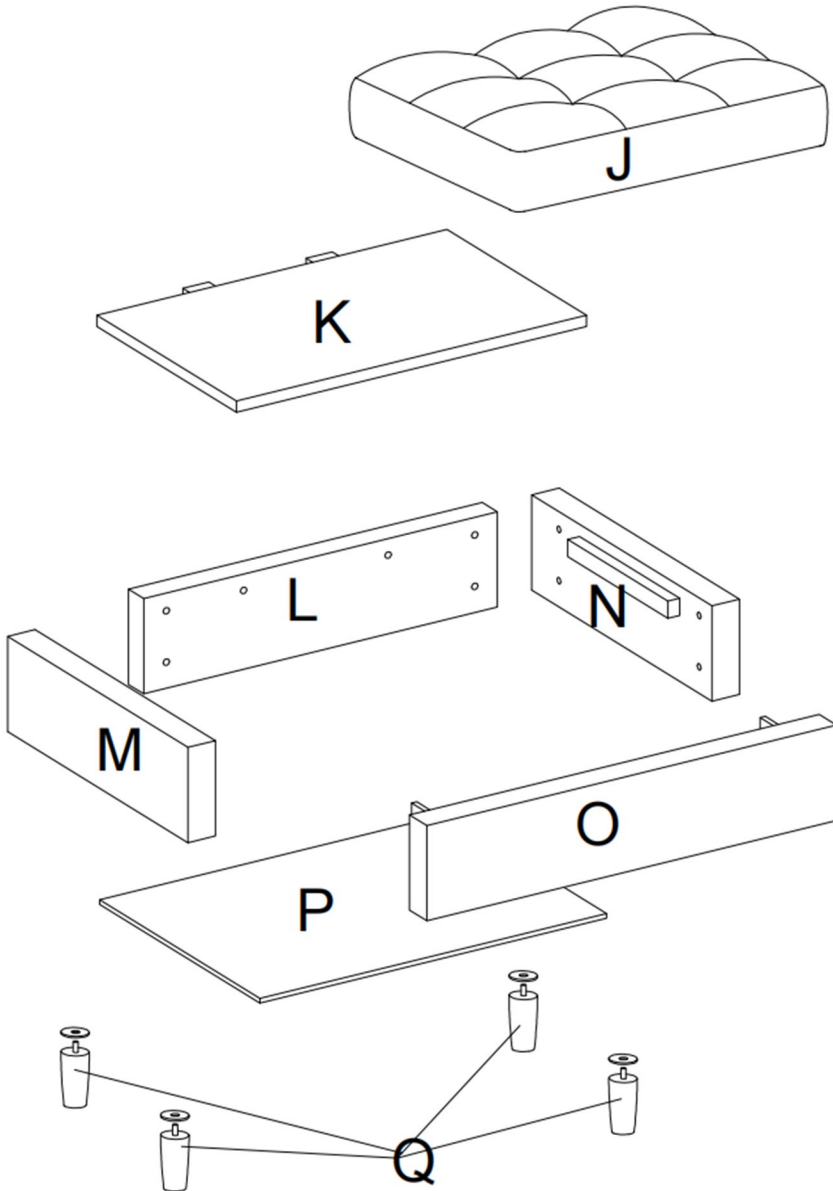
④\*1



Allen key

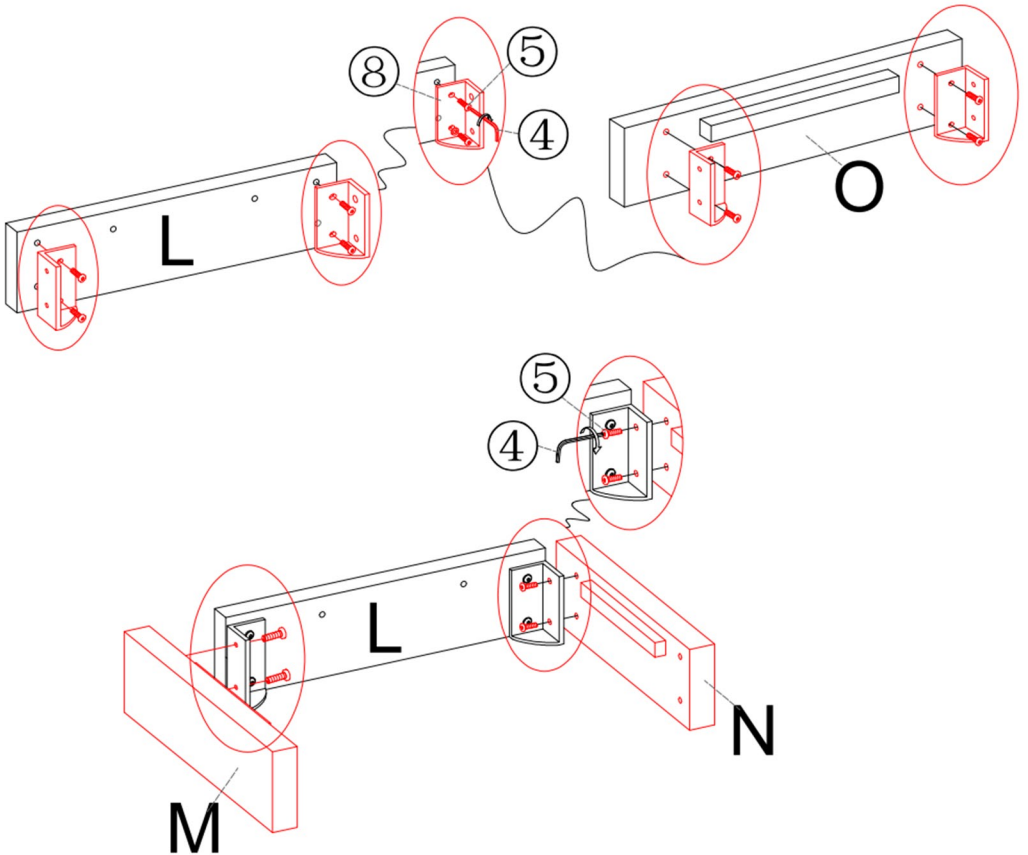
Please make sure all hardware & packing material fitting the list. Especially some small accessories may be missing during transportation. Please contact us if you have any question.

# EXPLODED VIEW



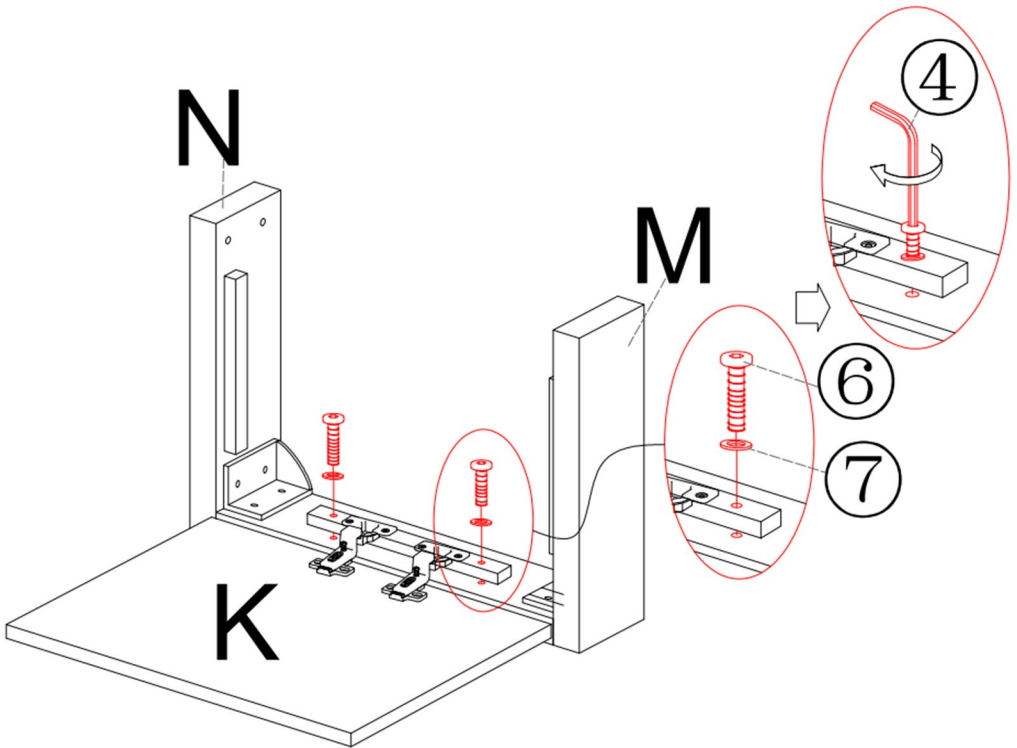
# step 1

Install the connecting irons(8) onto the front and back board(O&L) as shown, the bolt need align the bolt holes on both connecting irons(8) and the front/back board. Use the allen wrench(4) provided to tighten all bolts by 30-50% first, make sure all bolts are aligned correctly before fully tightening.



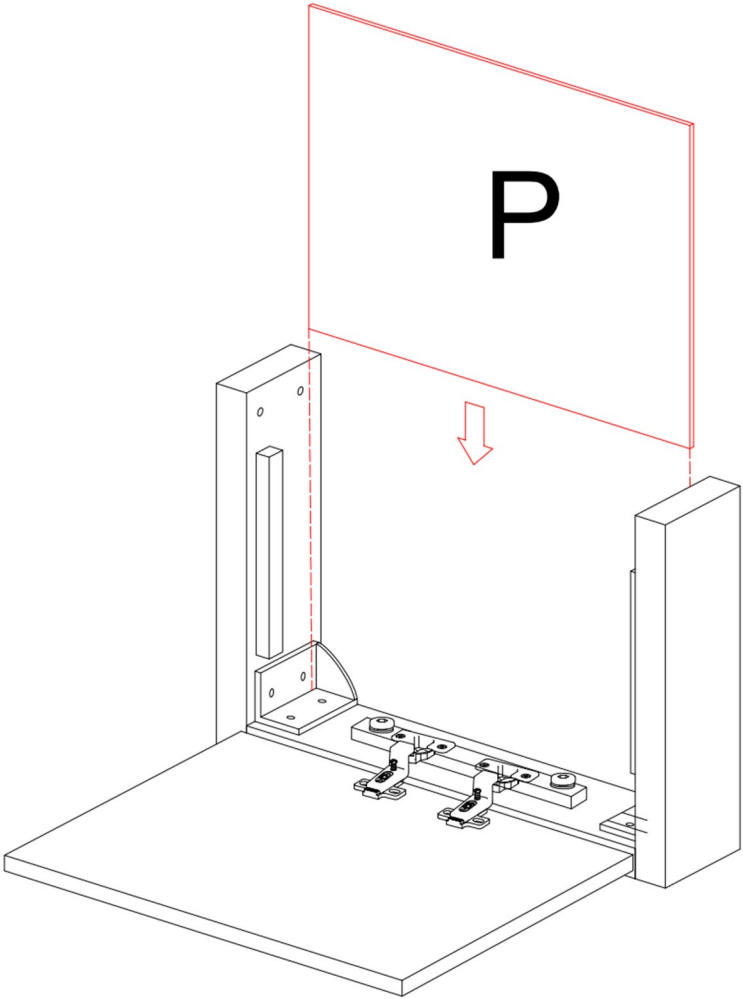
# step 2

Install the top board(K) with the back board(L) as shown. First place one flat washer(7) on each bolt(6), then align the bolt holes on both connecting part of the top board and the back board, use the allen wrench(4) provided to tighten all bolts by 30-50% first, make sure all bolts are correctly aligned before fully tightening.



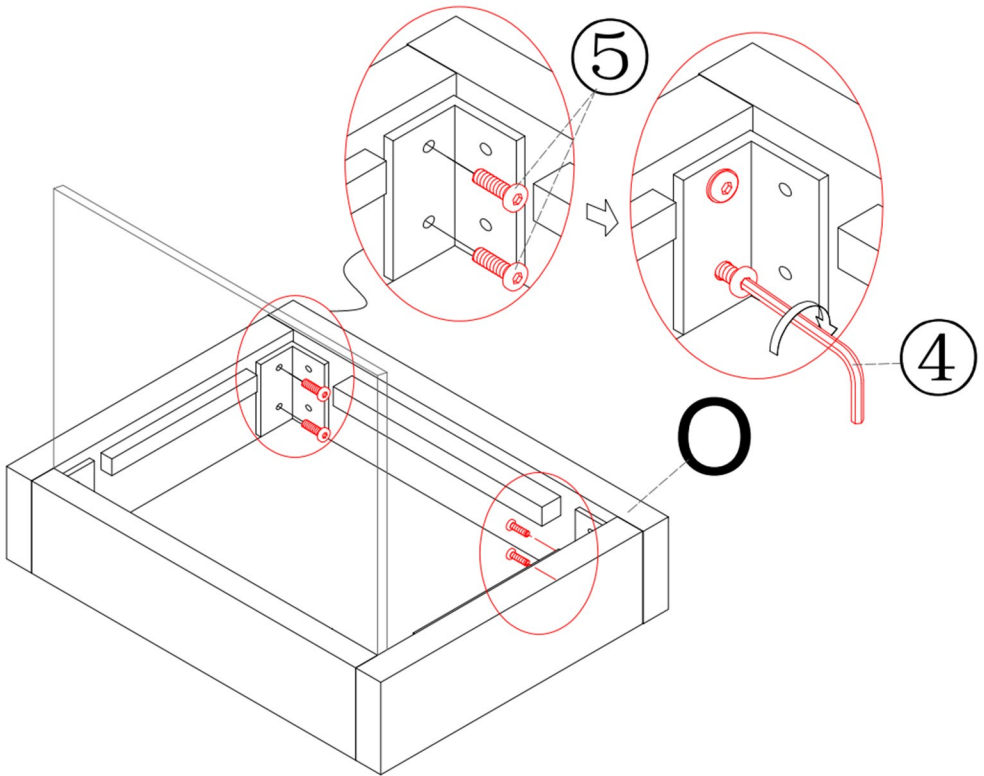
# step 3

Place the bottom board(P) between the side boards as shown.



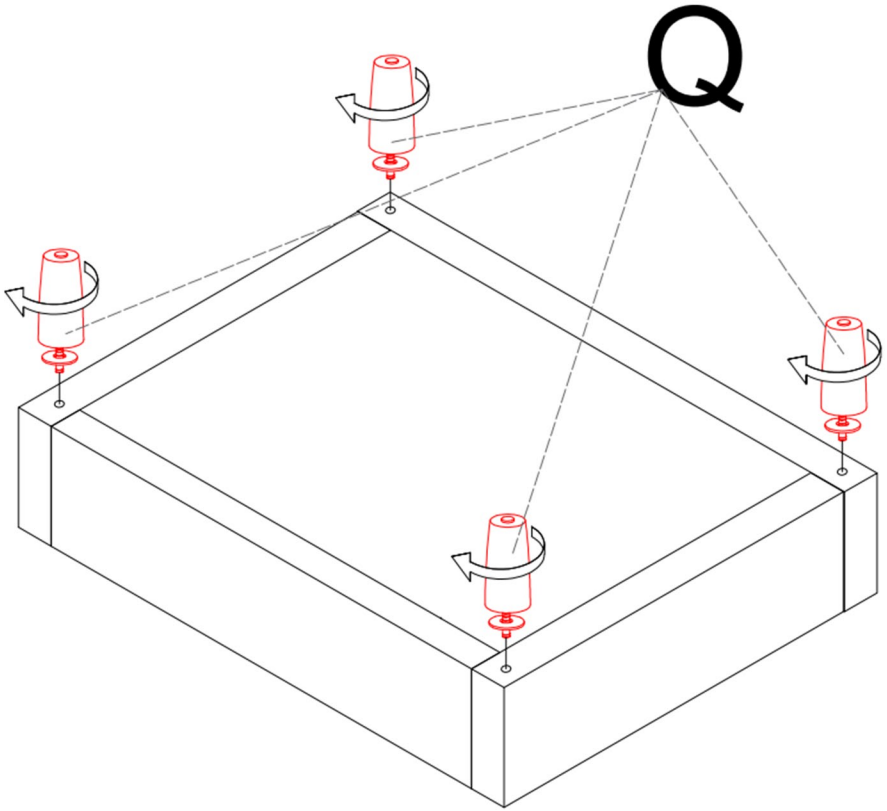
# step 4

Install the front board(O) onto the side boards as shown. The bolt need align the bolt holes on both side boards and front board, use the allen wrench(4) provided to tighten all bolts by 30-50% first, make sure all bolts are correctly aligned before fully tightening.



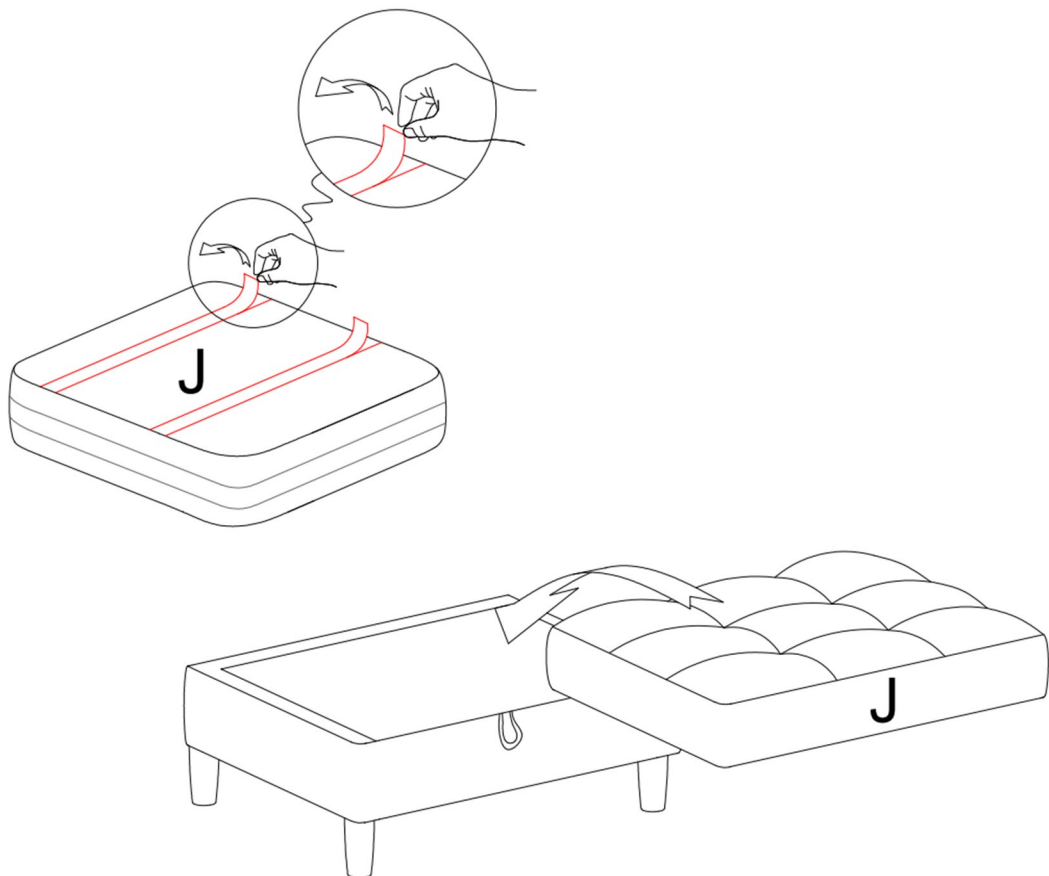
# step 5

Twist in all four legs(Q) clockwise, make sure all legs are fully twisted before next step.



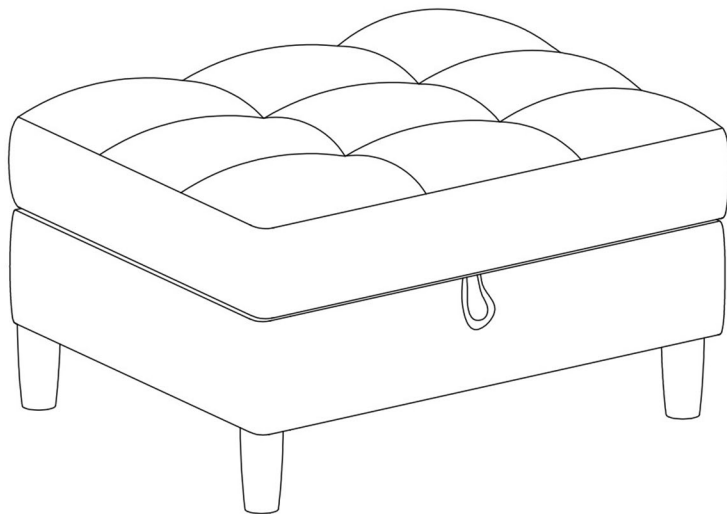
# step 6

Tear off the Velcro strip cover underneath the cushion (J) as shown, then place it on the ottoman.



# step 7

Congratulations, the assembly is complete! Thank you again for choosing our product! Please enjoy!



# step 8

We suggest using the pillow according to your need, you may use it as head pillow or wrist pillow depending on the situation.

