
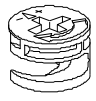



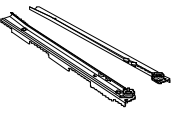
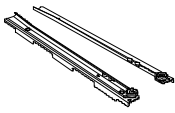


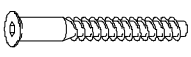
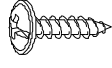
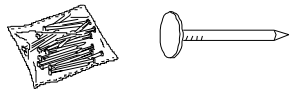
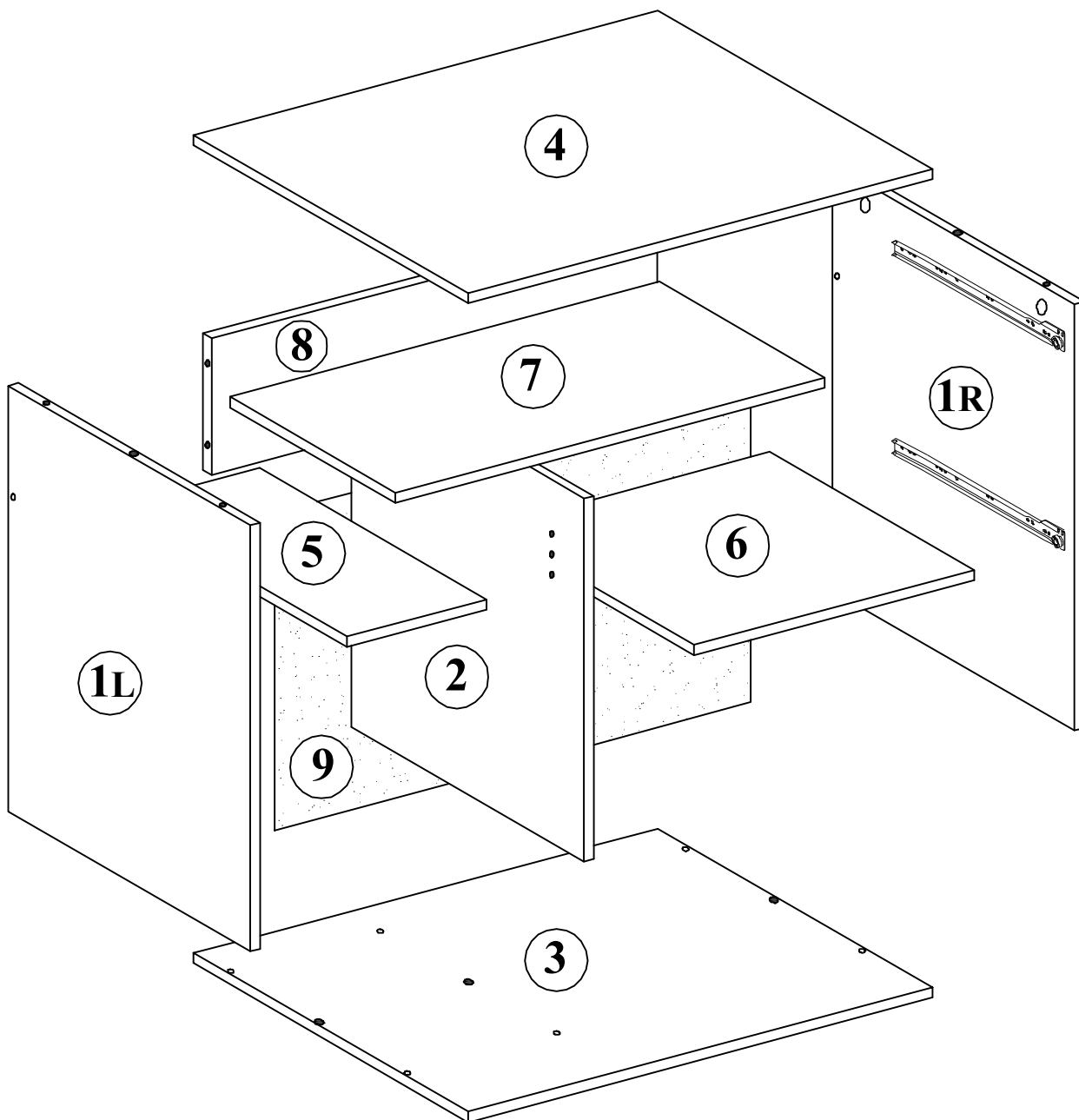
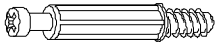
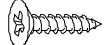
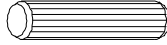

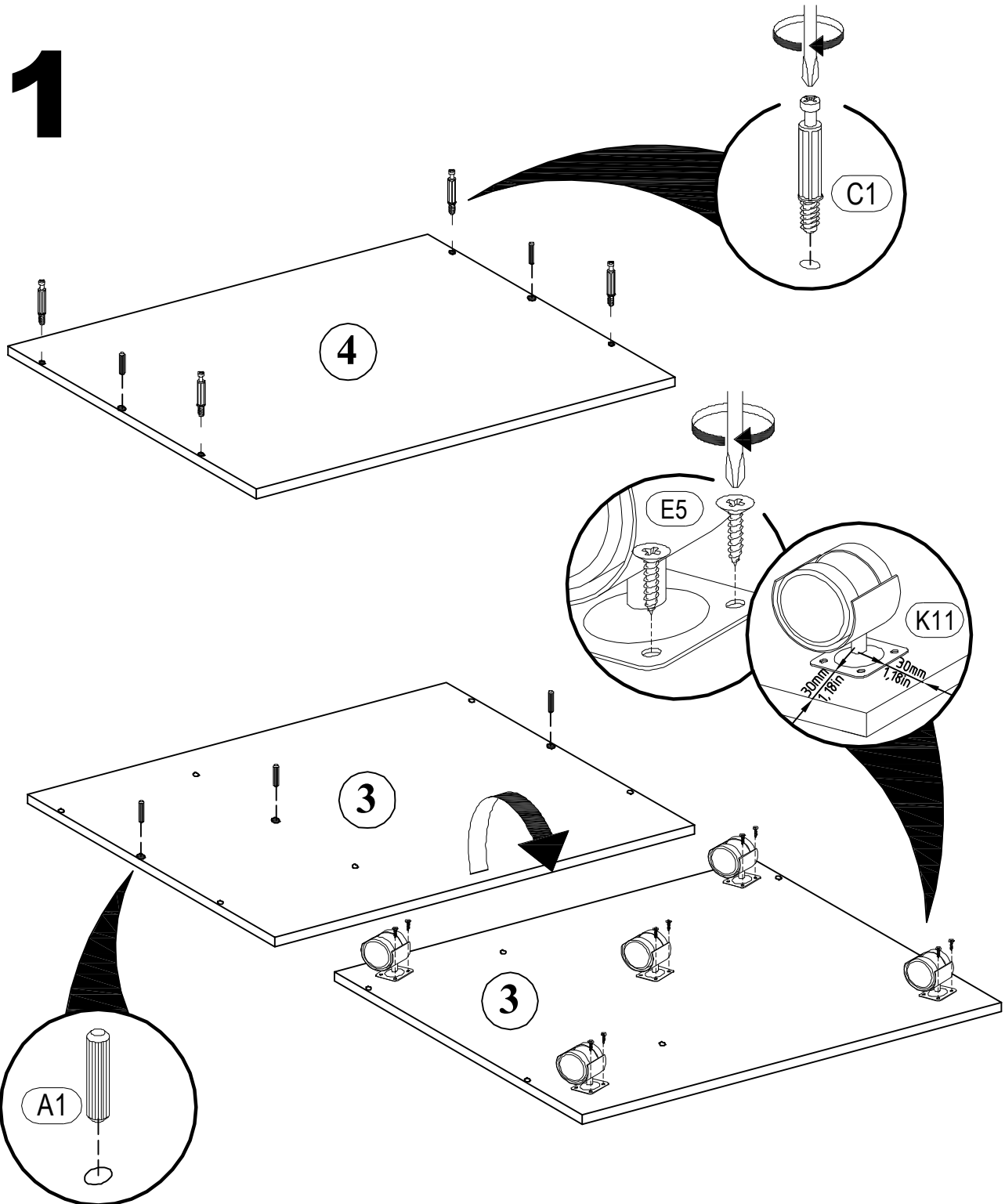
 C1 0,19*1,19 in x4	 A1 0,31*1,18 in x7	 D1 0,63 in x4
 K11 x5	 E5 0,13*0,62 in x20	 E3 0,11*0,59 in x24
 M1 11,81 in x1	 M2 13,77 in x1	 J1 0,19*0,63 in x4
 B x8	 B1 0,25*1,97 in x8	 Ea2 0,16*0,62 in x3
 R3		

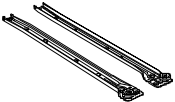


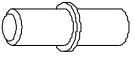
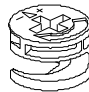

No	a*b	x	No	a*b	x
1	26,33x17,24 in	2	6	17,91x14,56 in	1
2	22,44x16,61 in	1	7	27,48x11,81 in	1
3	29,76x19,60 in	1	8	28,50x8,42 in	1
4	29,76x19,60 in	1	9	19,60x29.60 in	1
5	8,93x16,22 in	1			



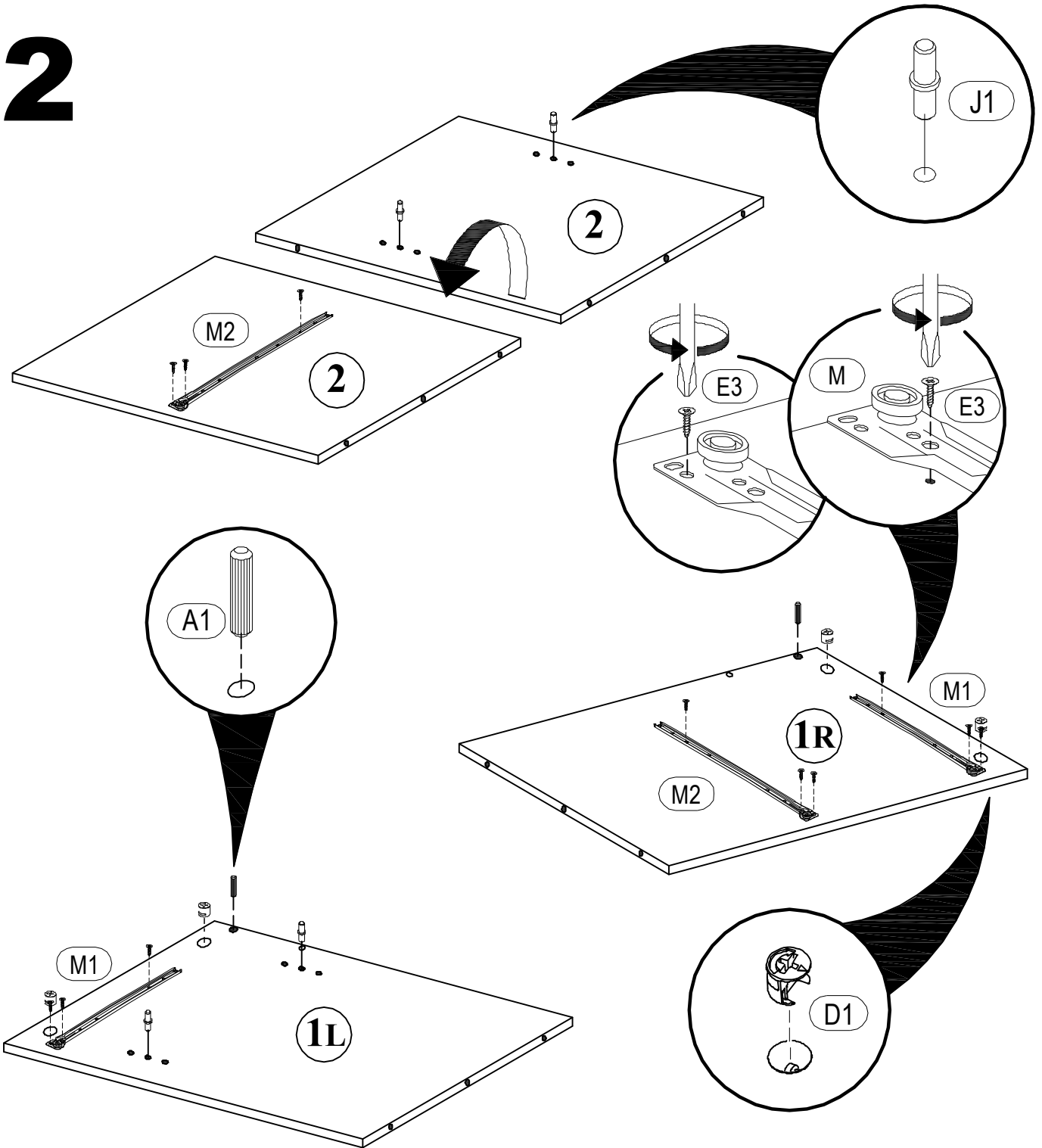
 C1 0,19*1,19 in x4	 E5 0,13*0,62 in x20	 A1 0,31*1,18 in x5
 K11 x5		

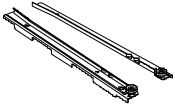
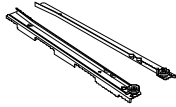

1



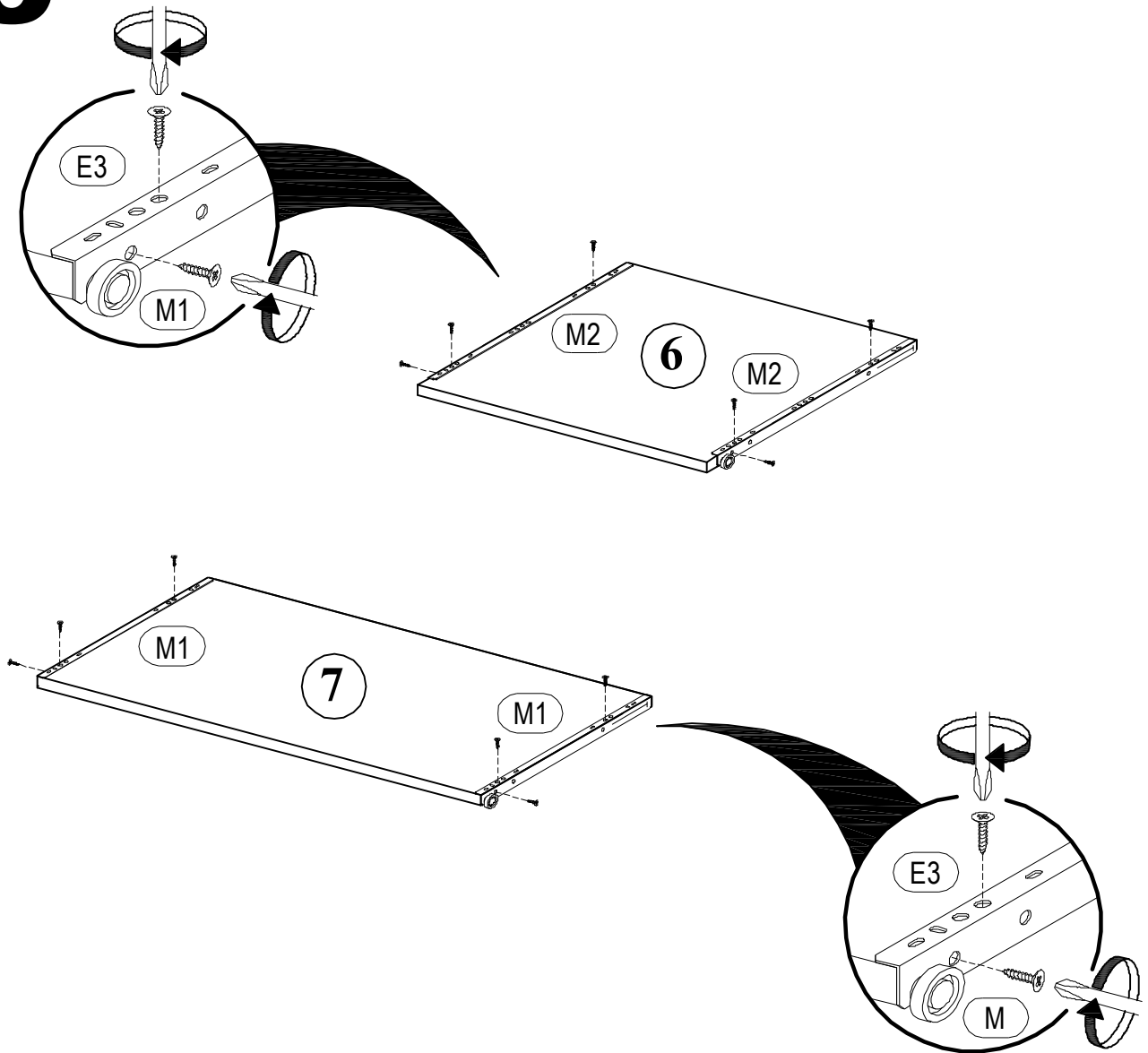
 <p>M1 11,81 in x1</p>	 <p>M2 13,77 in x1</p>	 <p>E3 0,11*0,59 in x12</p>
 <p>J1 0,19*0,63 in x4</p>	 <p>D1 0,63 in x4</p>	 <p>A1 0,31*1,18 in x2</p>


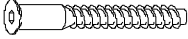
2



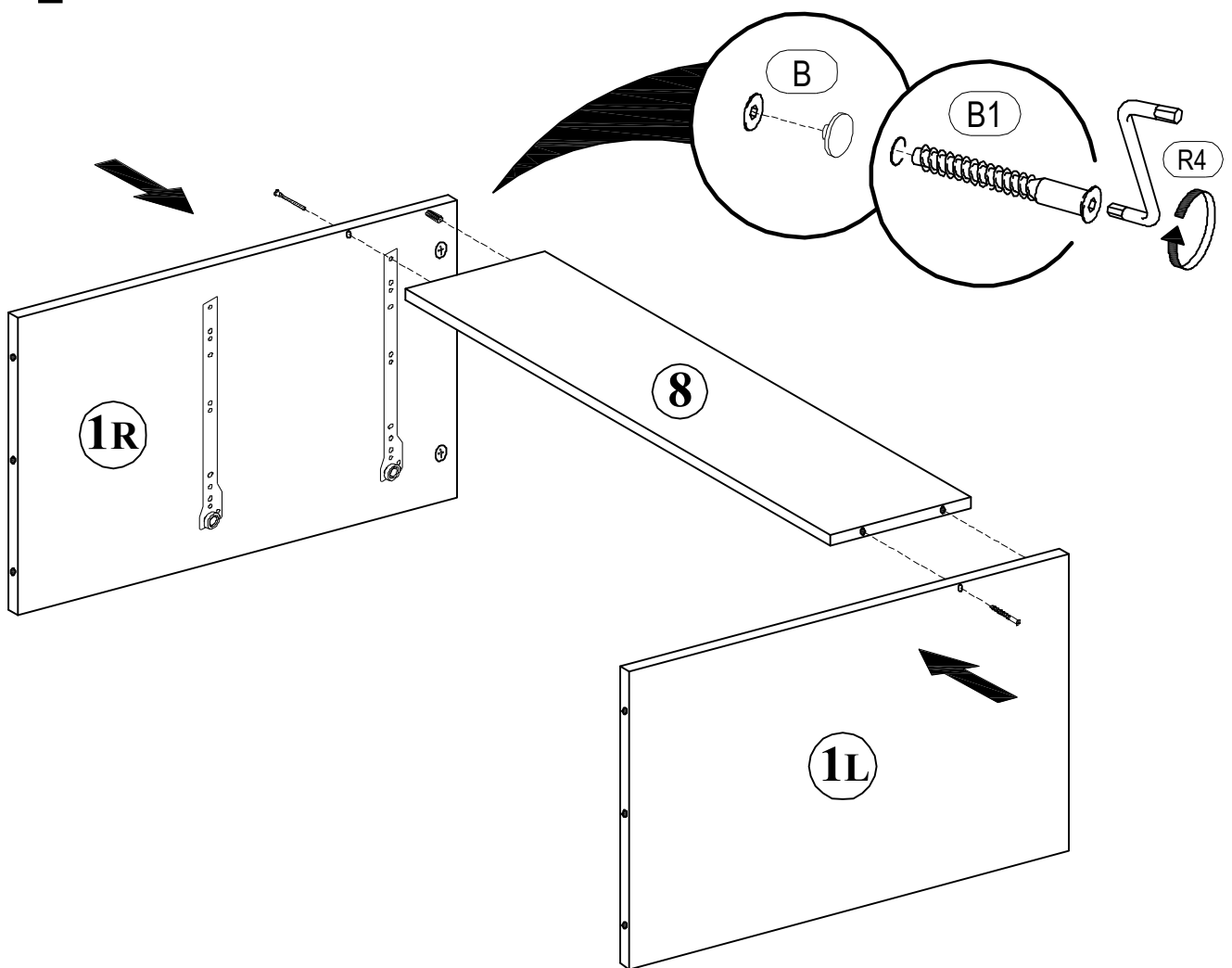
 <p>M1 11,81 in x1</p>	 <p>M2 13,77 in x1</p>	 <p>E3 0,11*0,59 in x12</p>
---	---	--

3



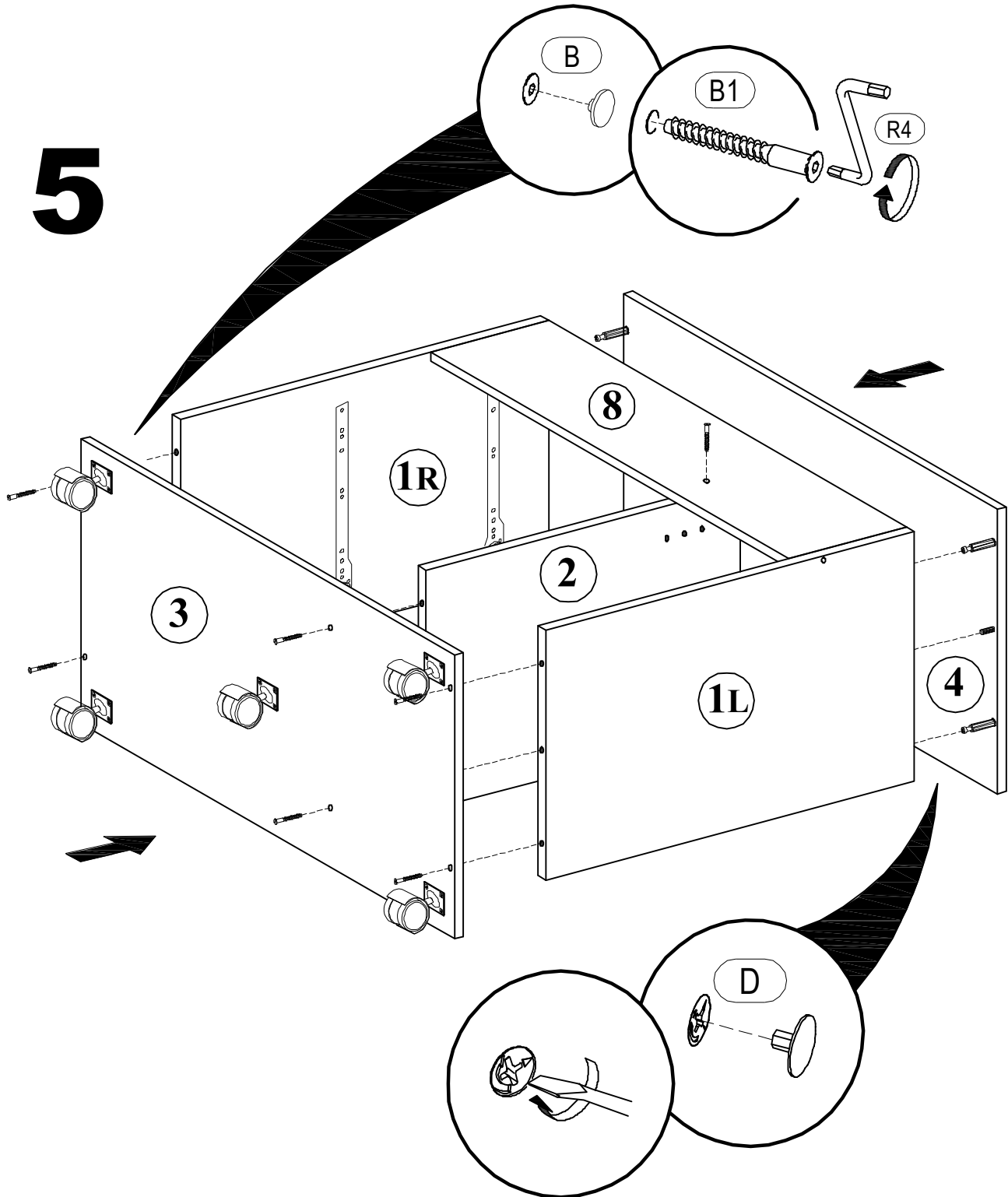
 B x2	 B1 0,25*1,97 in x2
--	---

4



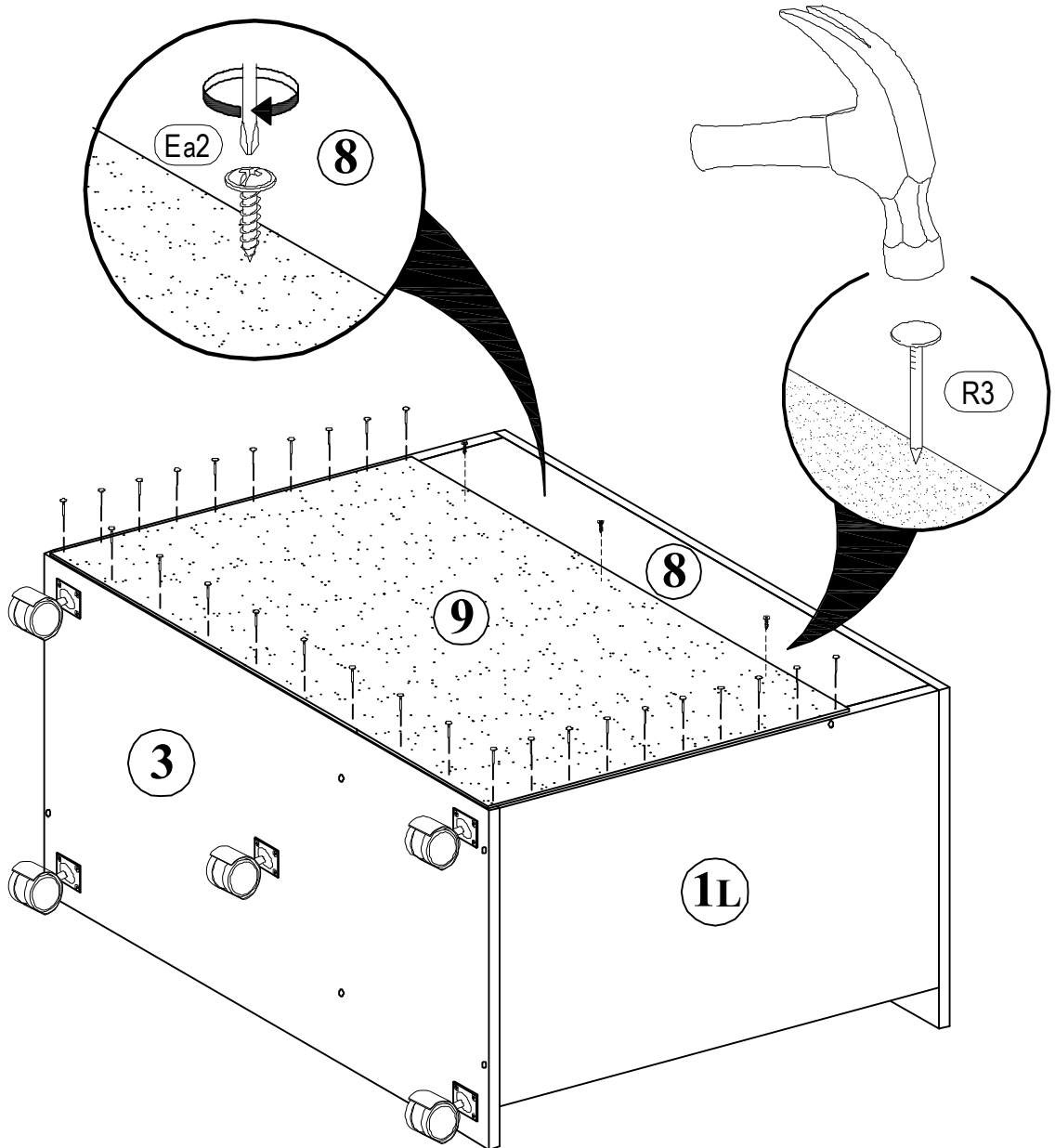
 B x6	 B1 0,25*1,97 in x7
--	---

5

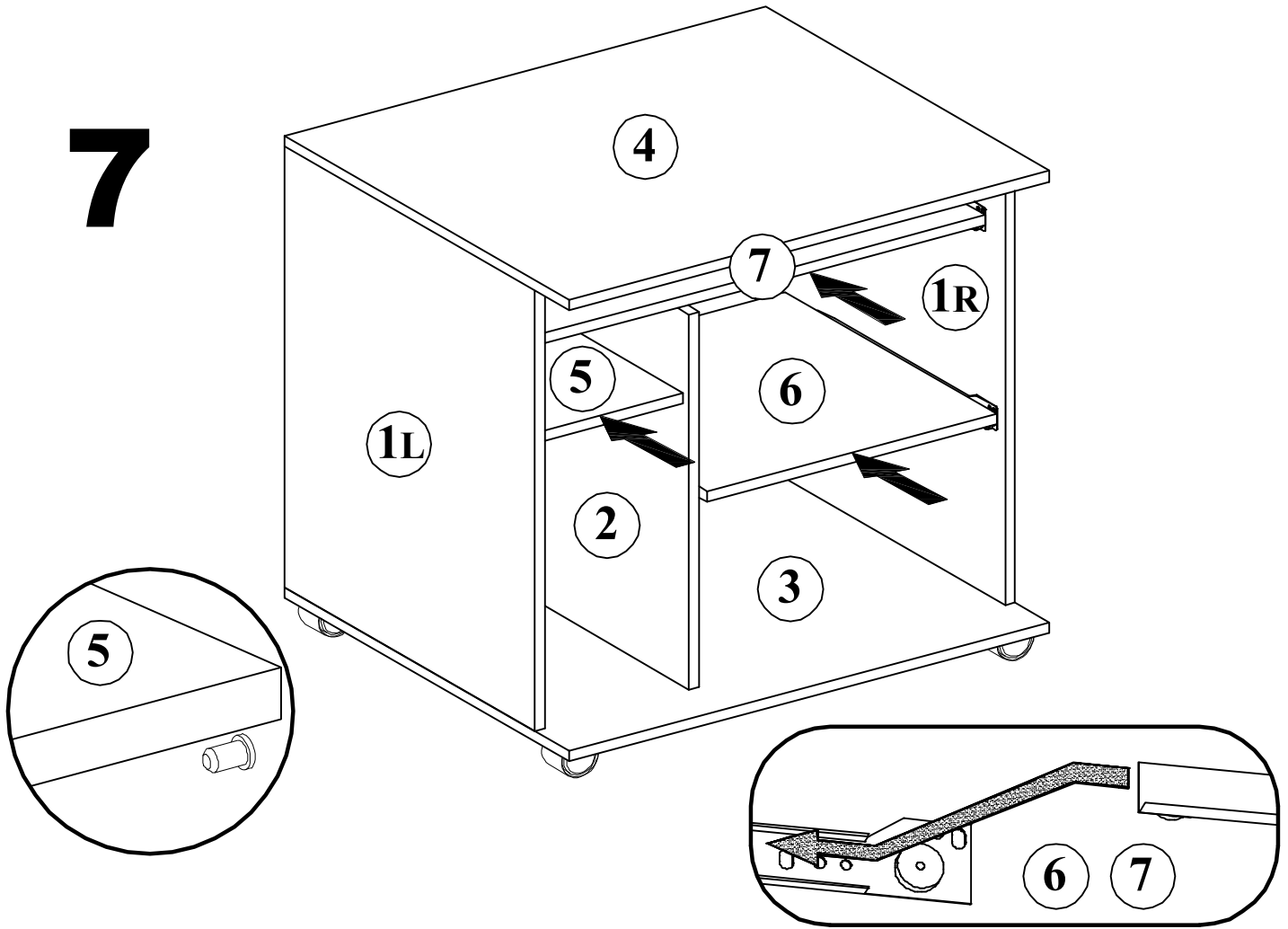




6



7



8

