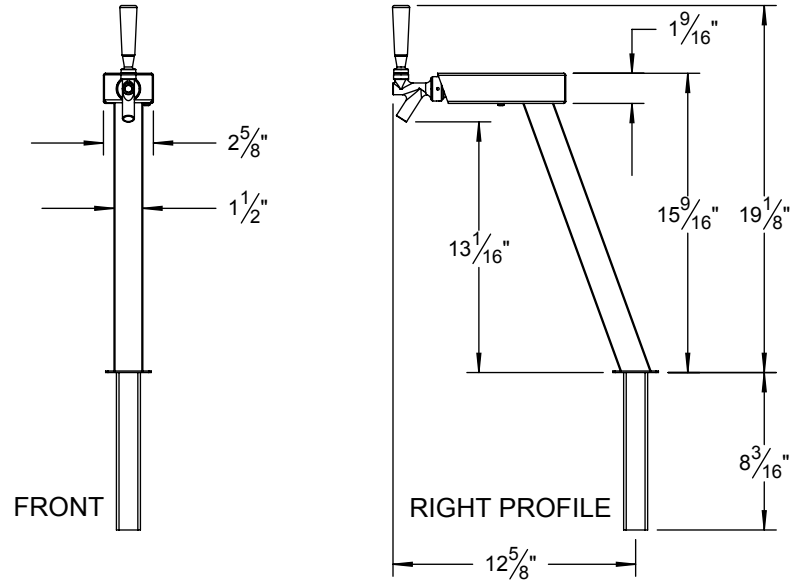
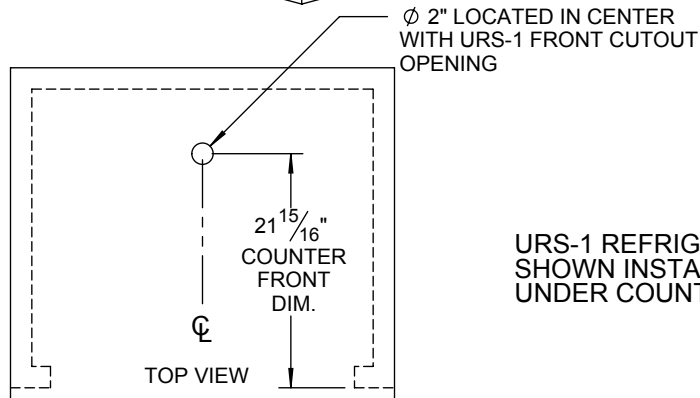
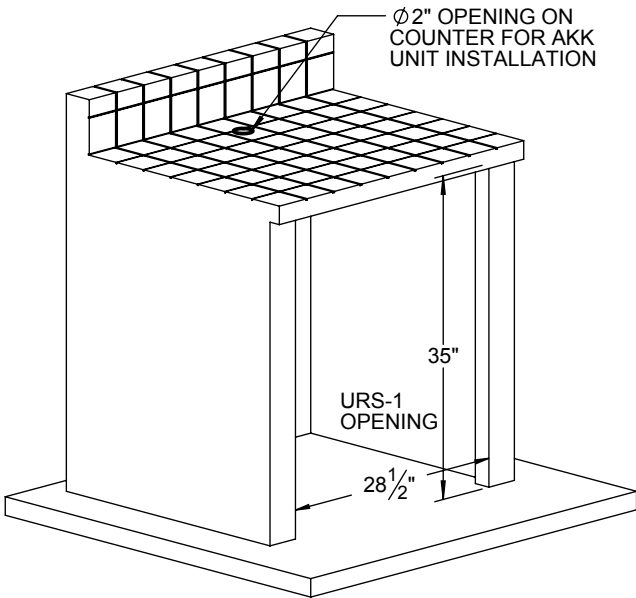


**AKK TYPICAL INSTALLATION**



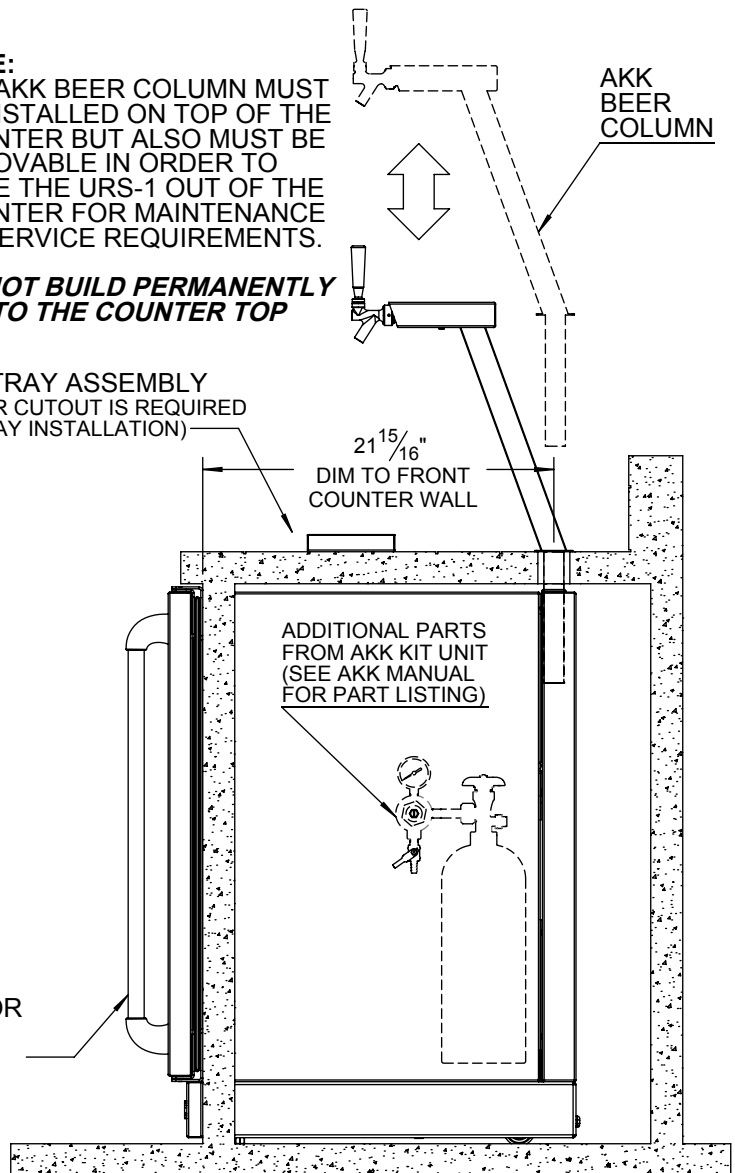
**COUNTER TOP AND FRONT CUTOUT REQUIREMENTS**



**NOTE:**  
THE AKK BEER COLUMN MUST BE INSTALLED ON TOP OF THE COUNTER BUT ALSO MUST BE REMOVABLE IN ORDER TO MOVE THE URS-1 OUT OF THE COUNTER FOR MAINTENANCE OR SERVICE REQUIREMENTS.

**DO NOT BUILD PERMANENTLY INTO THE COUNTER TOP**

AKK DRIP TRAY ASSEMBLY  
(NO COUNTER CUTOUT IS REQUIRED FOR DRIP TRAY INSTALLATION)



**Alfresco**

SUPERIOR EQUIPMENT SOLUTIONS  
7039 EAST SLAUSON AVENUE  
COMMERCE, CA. 90040

THE INFORMATION CONTAINED IN THIS DRAWING IS THE SOLE PROPERTY OF SUPERIOR EQUIPMENT SOLUTIONS INC. ANY REPRODUCTION IN PART OR AS A WHOLE WITHOUT WRITTEN PERMISSION FROM SUPERIOR EQUIPMENT SOLUTIONS, INC. IS PROHIBITED.

**DRAWN BY:** ADRIAN CRISCI  
**CREATED:** Wednesday, October 03, 2007 8:51:20 AM

**PROJECT TITLE:** AKK

**DRAWING TITLE:**

**AKK - KEG KIT SPECIFICATIONS**

**DRAWING NO.:**  
**AKK SPEC SHEET**

SHEET 1 OF 1