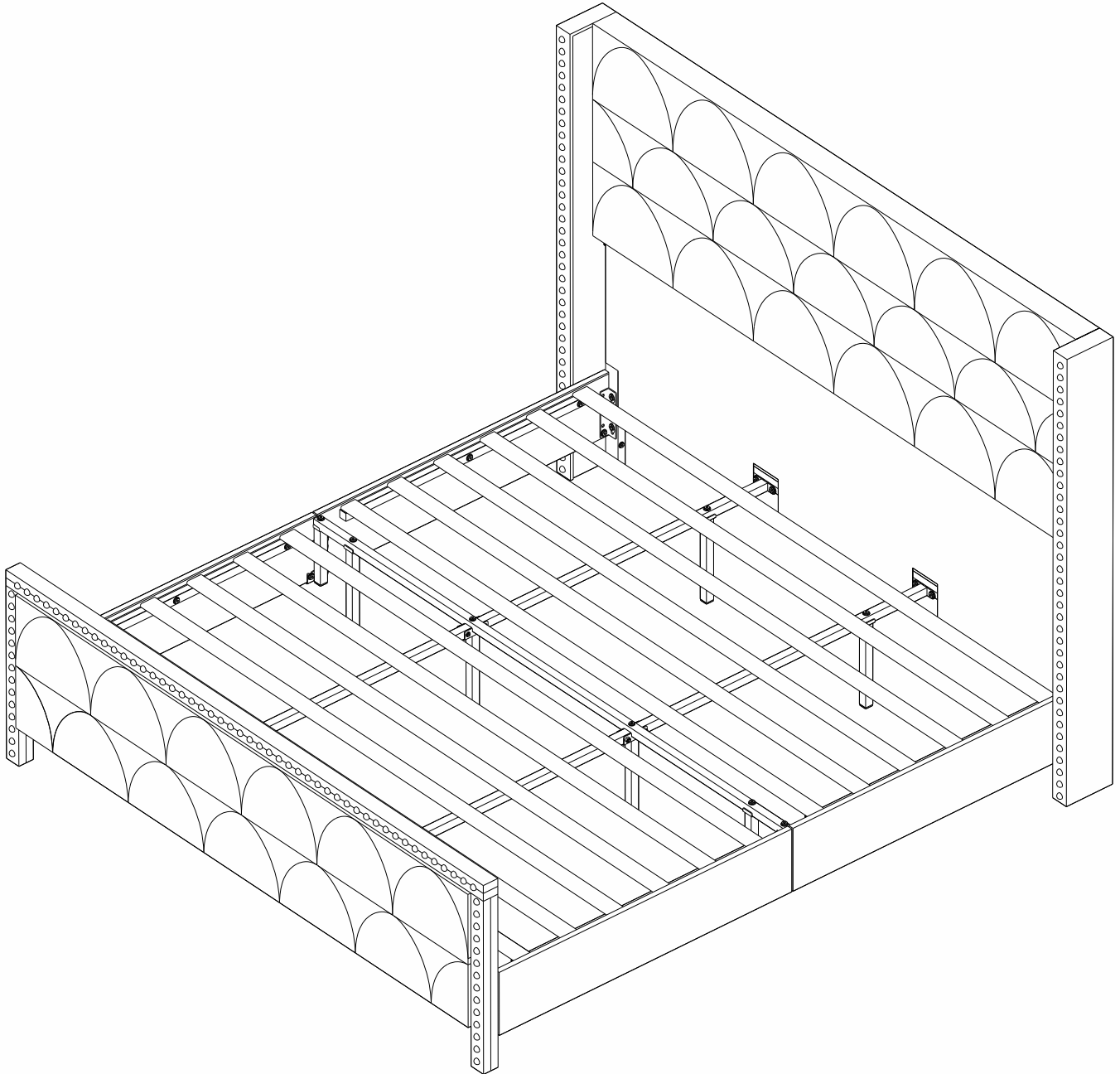


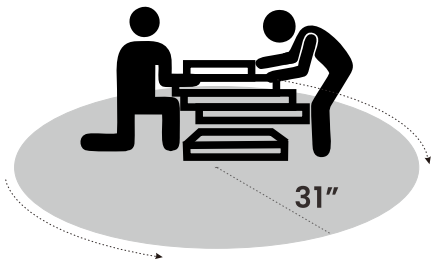
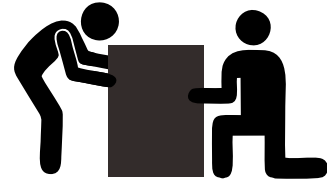
# Assembly Instructions

## Velvet Platform Bed Model:BF02-King



### **MADE IN P.R.C.**

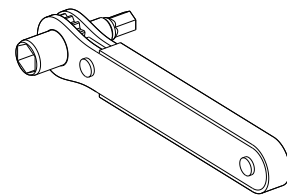
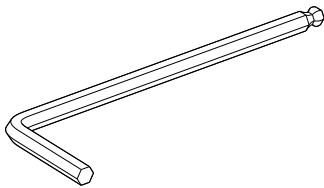
Thank you for your purchase. Please note the King-size bed comes in two packages. Make sure you have received both boxes before following the assembly instructions. If you have any issues, don't rush to return - contact us first: **[OHOHOLIVE-Service@outlook.com](mailto:OHOHOLIVE-Service@outlook.com)**. We'll help resolve it.



### Sufficient space

Leave at least **80 cm (31 in)** around the product to ensure that there is enough space for easy movement and assembly.

### Tools required for assembly



### WARNING :

**Be careful not to let children swallow the assembling parts**

**Please put the unpacked plastic bag or foam back into the carton for easy disposal**

**Achten Sie darauf, dass Kinder die Montageteile nicht verschlucken.**

**Bitte legen Sie die ausgepackte Plastiktüte oder den Schaumstoff zur einfachen Entsorgung wieder in den Karton.**

**注意不要让儿童吞下组装部件**

**请将拆开的塑料袋或泡沫放回纸箱中，以便于处理**

**子供が組み立て部品を飲み込まないように注意してください**

**開封したビニール袋または発泡スチロールは、簡単に処分できるようにカートンに戻してください**

**어린이가 조립 부품을 삼키지 않도록 주의하세요**

**포장을 푼 비닐 봉지나 폼은 쉽게 폐기할 수 있도록 상자에 다시 넣어주세요**

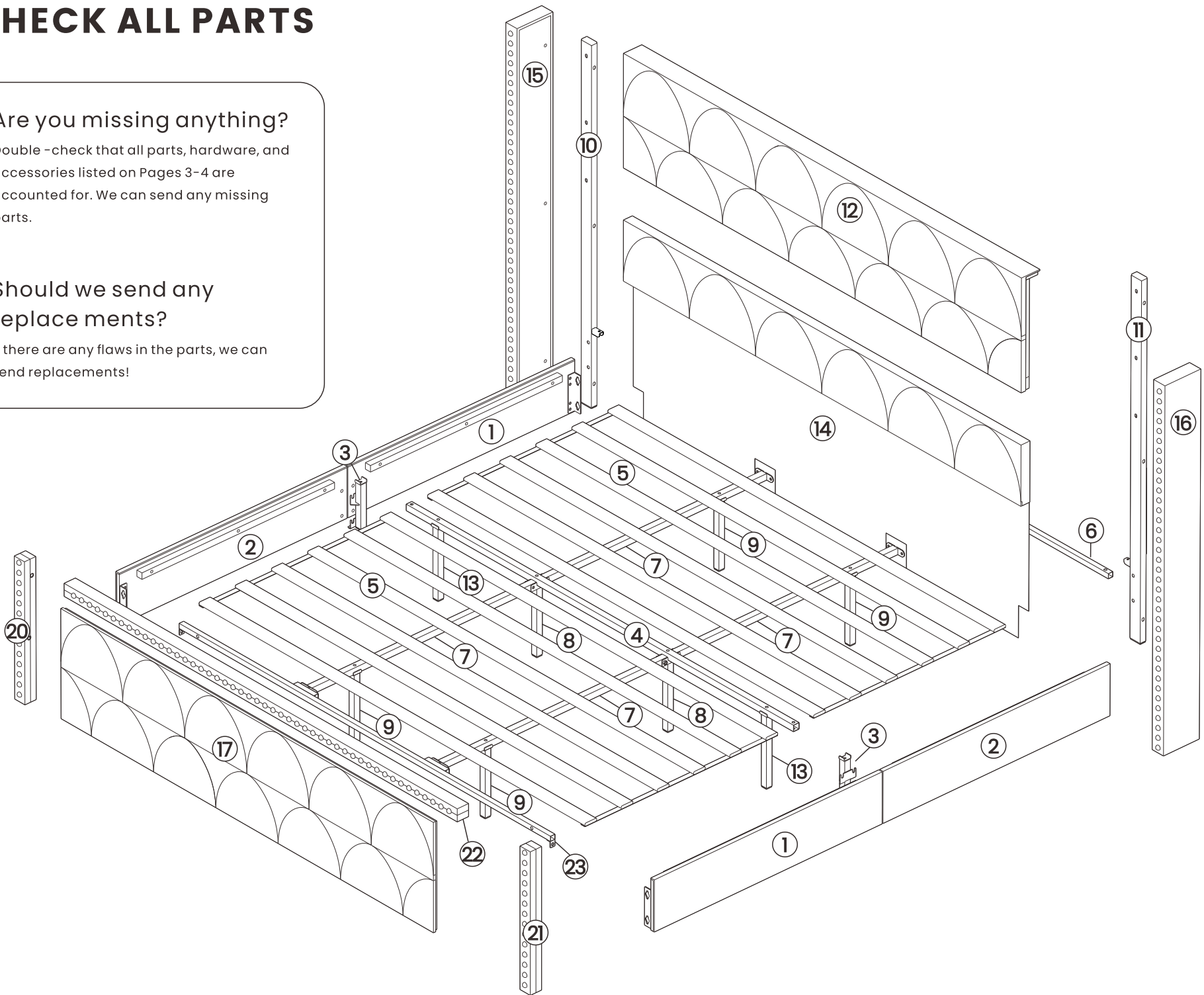
# ✓ CHECK ALL PARTS

## Are you missing anything?

Double-check that all parts, hardware, and accessories listed on Pages 3-4 are accounted for. We can send any missing parts.

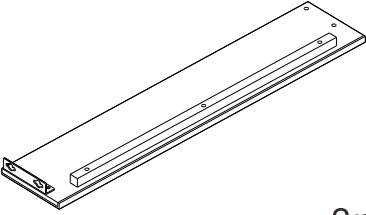
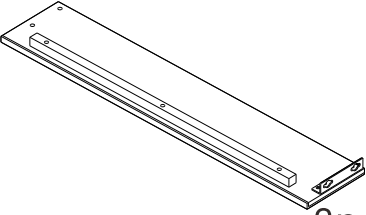
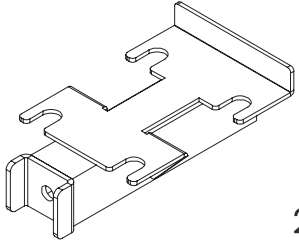
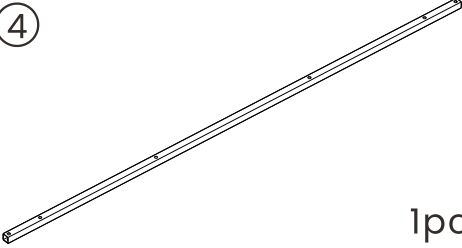
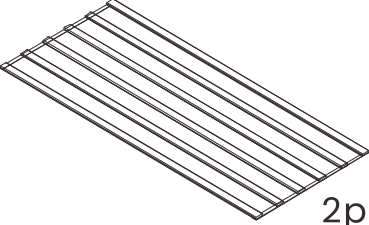
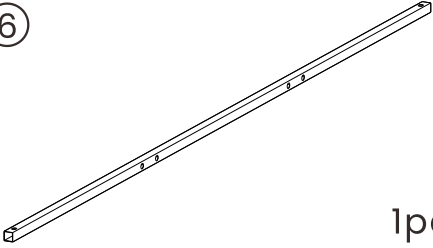
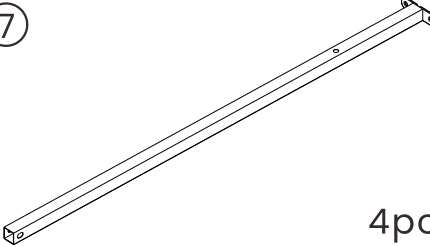
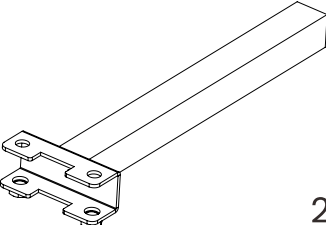
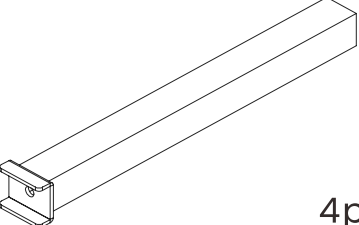
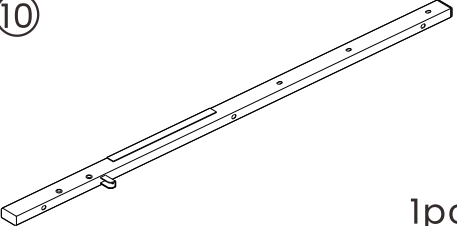
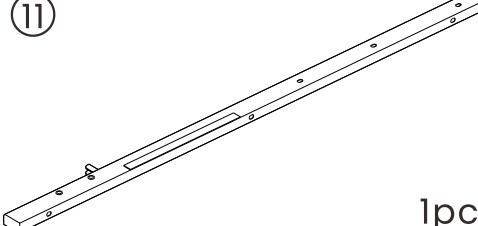
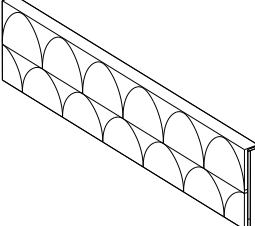

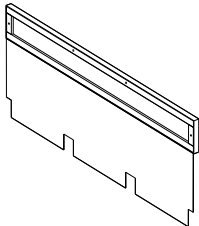
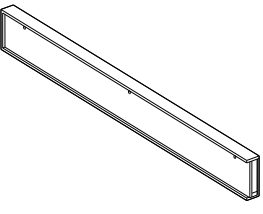
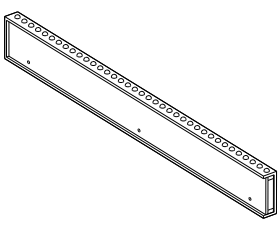
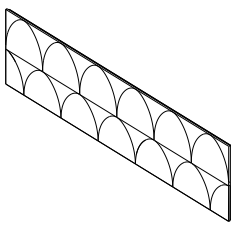
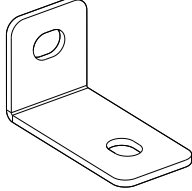
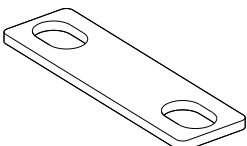
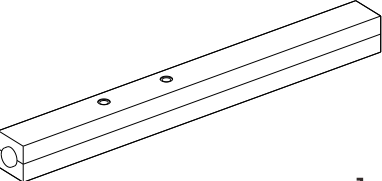
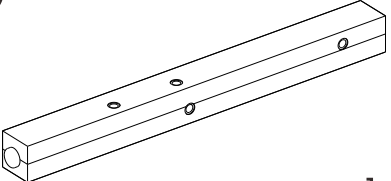
## Should we send any replacements?

If there are any flaws in the parts, we can send replacements!

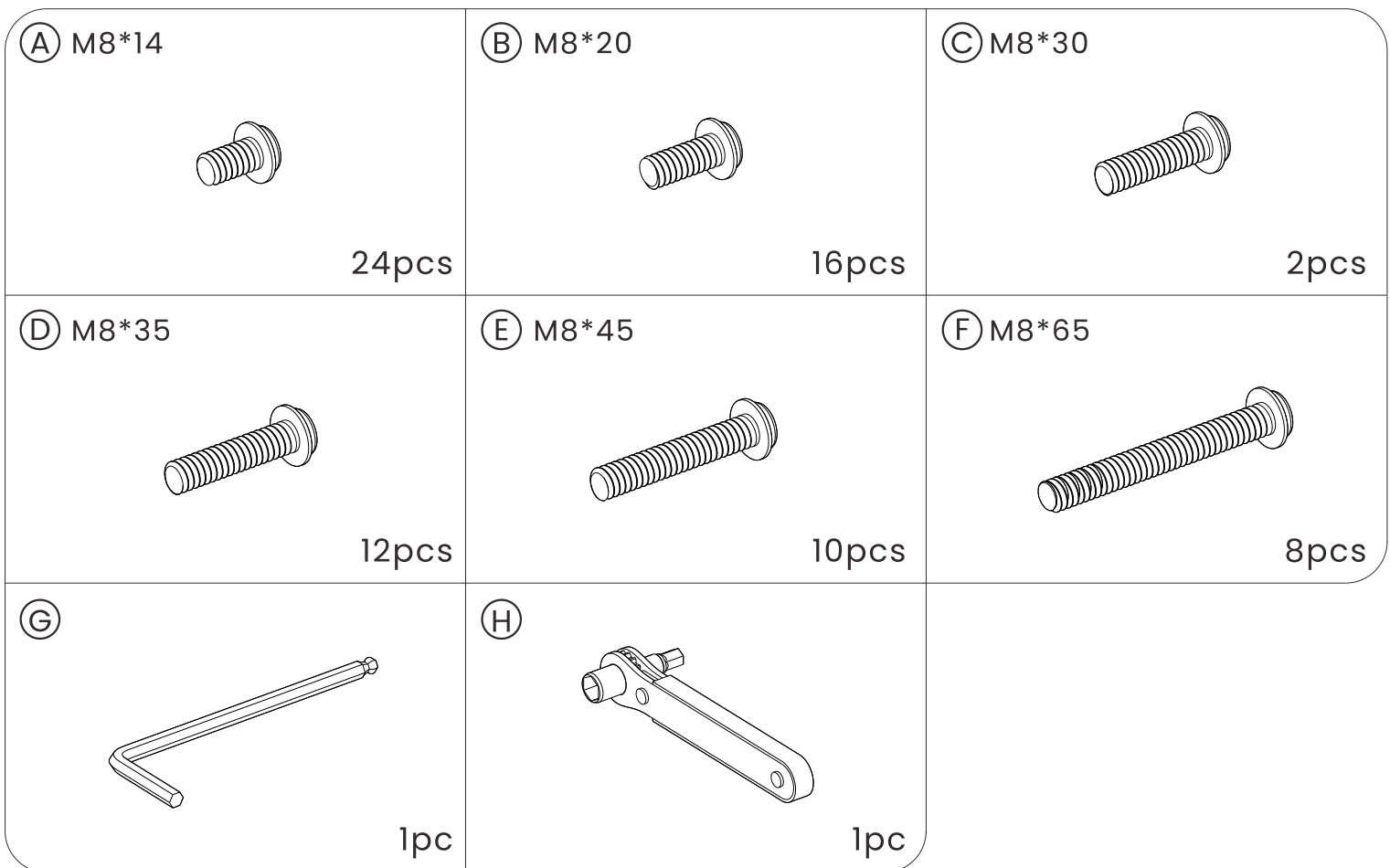
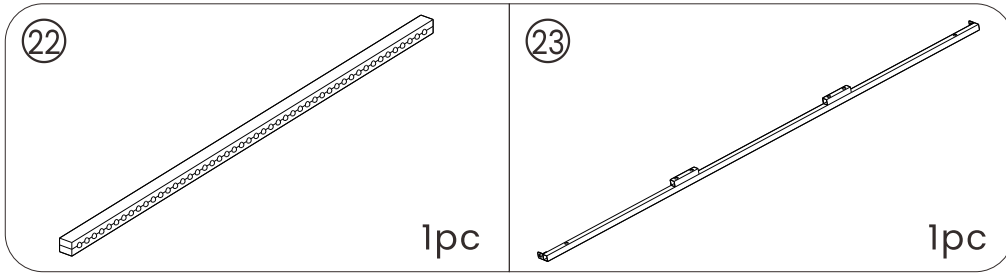


# PARTS LIST

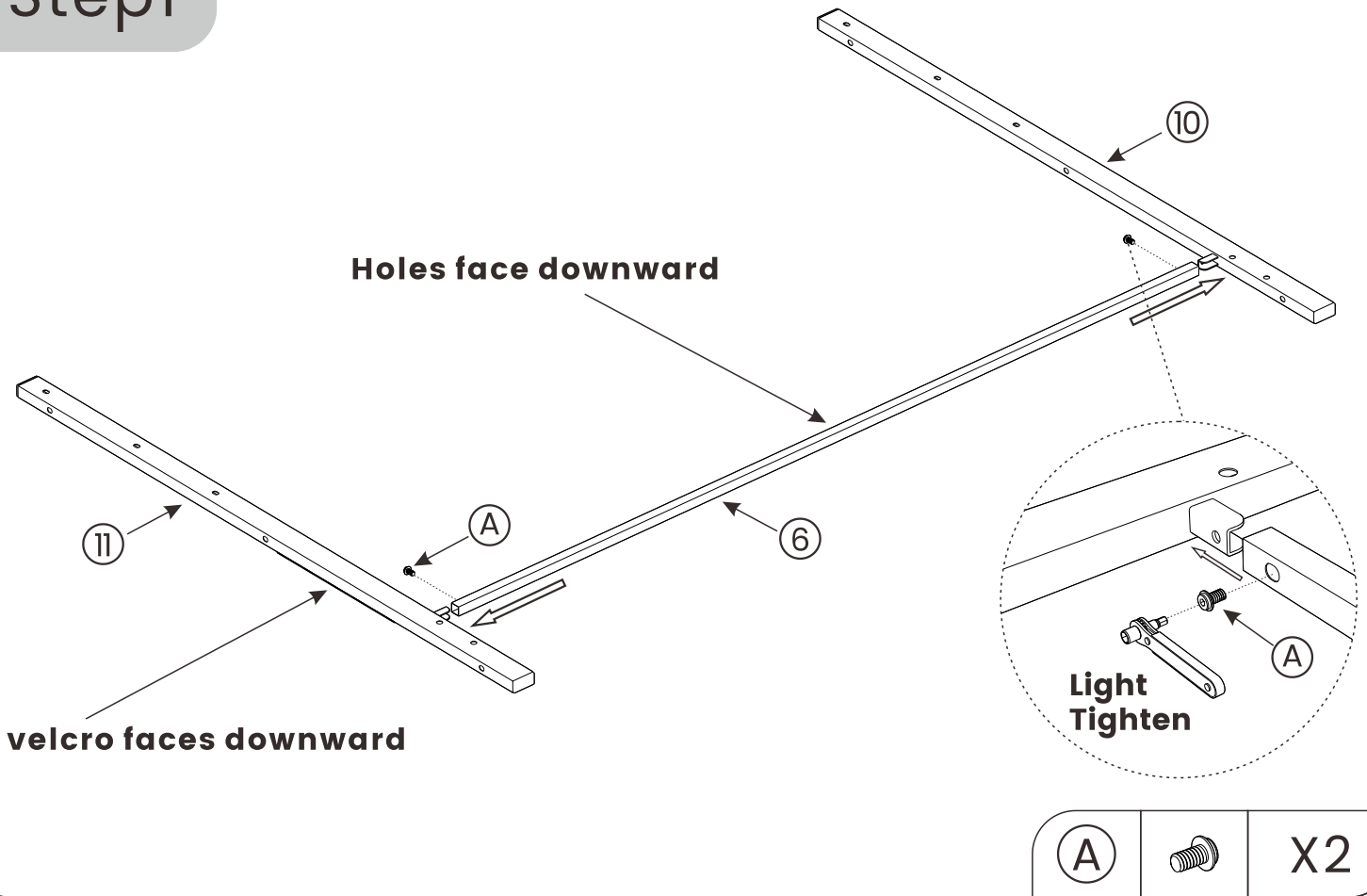
For defective or missing parts, contact us at [OHOHOLIVE-Service@outlook.com](mailto:OHOHOLIVE-Service@outlook.com)

 <p>①</p> <p>2pcs</p>	 <p>②</p> <p>2pcs</p>	 <p>③</p> <p>2pcs</p>
 <p>④</p> <p>1pc</p>	 <p>⑤</p> <p>2pcs</p>	 <p>⑥</p> <p>1pc</p>
 <p>⑦</p> <p>4pcs</p>	 <p>⑧</p> <p>2pcs</p>	 <p>⑨</p> <p>4pcs</p>
 <p>⑩</p> <p>1pc</p>	 <p>⑪</p> <p>1pc</p>	 <p>⑫</p> <p>1pc</p>
 <p>⑬</p> <p>2pcs</p>	 <p>⑭</p> <p>1pc</p>	 <p>⑮</p> <p>1pc</p>
 <p>⑯</p> <p>1pc</p>	 <p>⑰</p> <p>1pc</p>	 <p>⑱</p> <p>6pcs</p>
 <p>⑲</p> <p>2pcs</p>	 <p>⑳</p> <p>1pc</p>	 <p>㉑</p> <p>1pc</p>

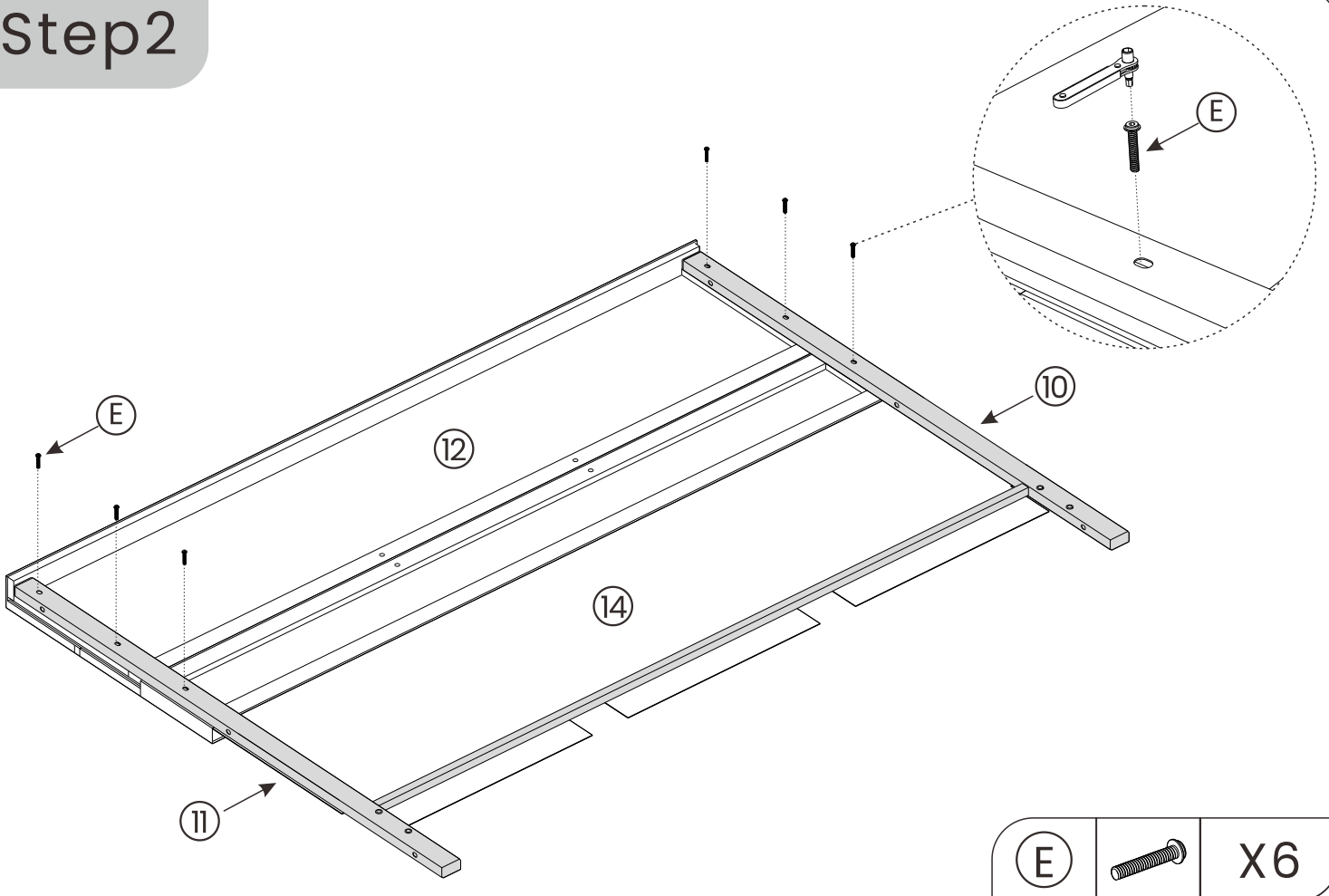
# PARTS LIST



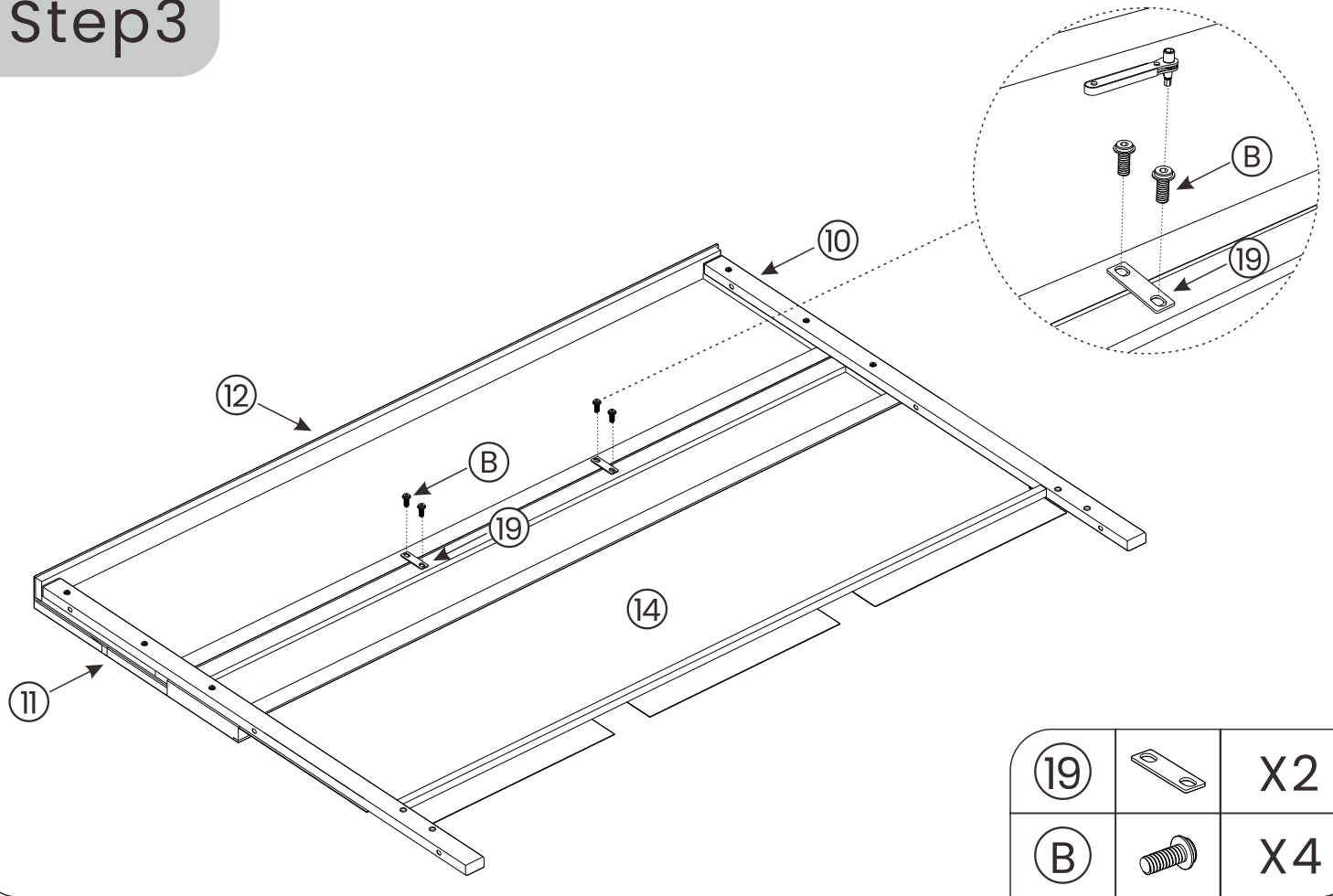
# Step1



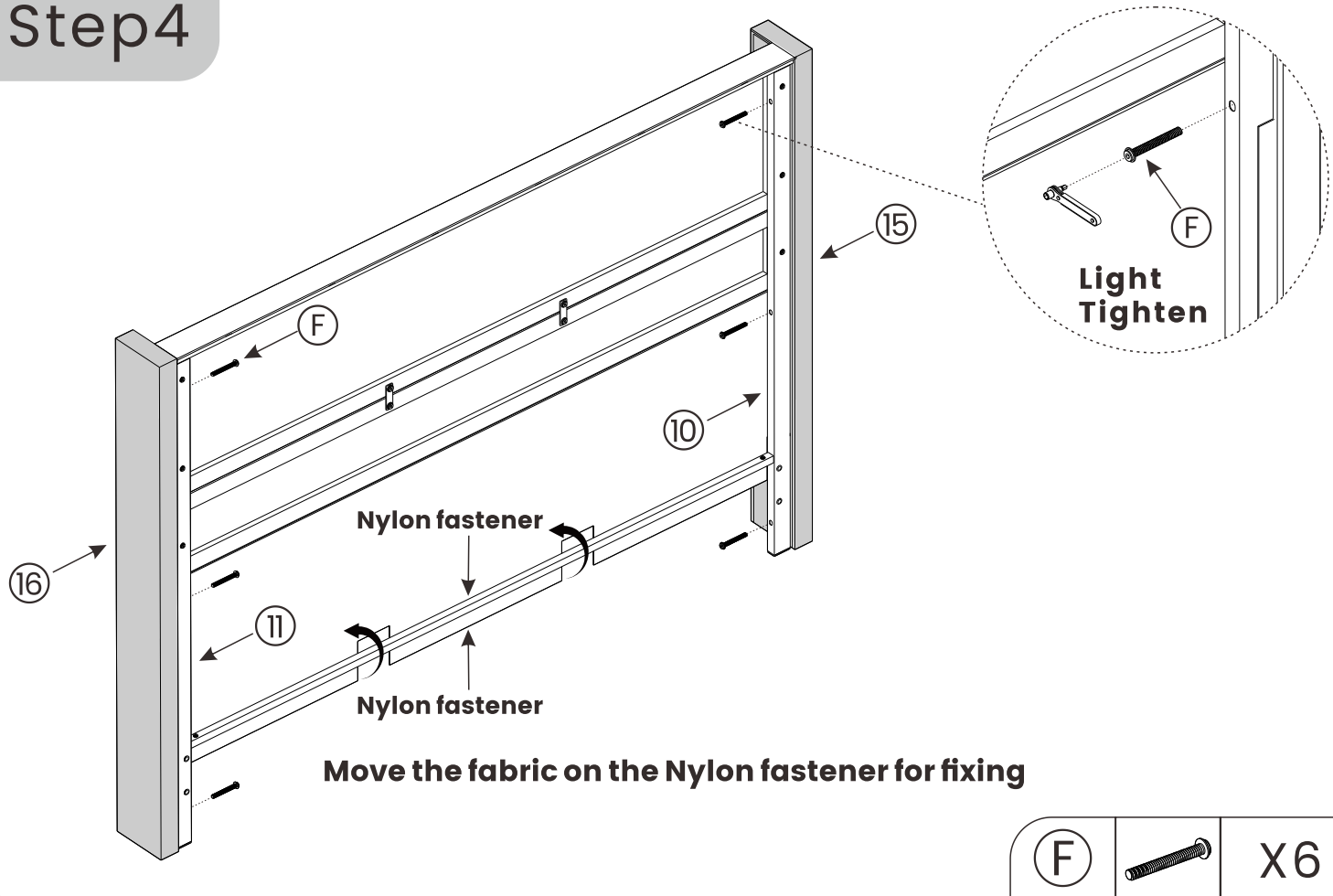
# Step2



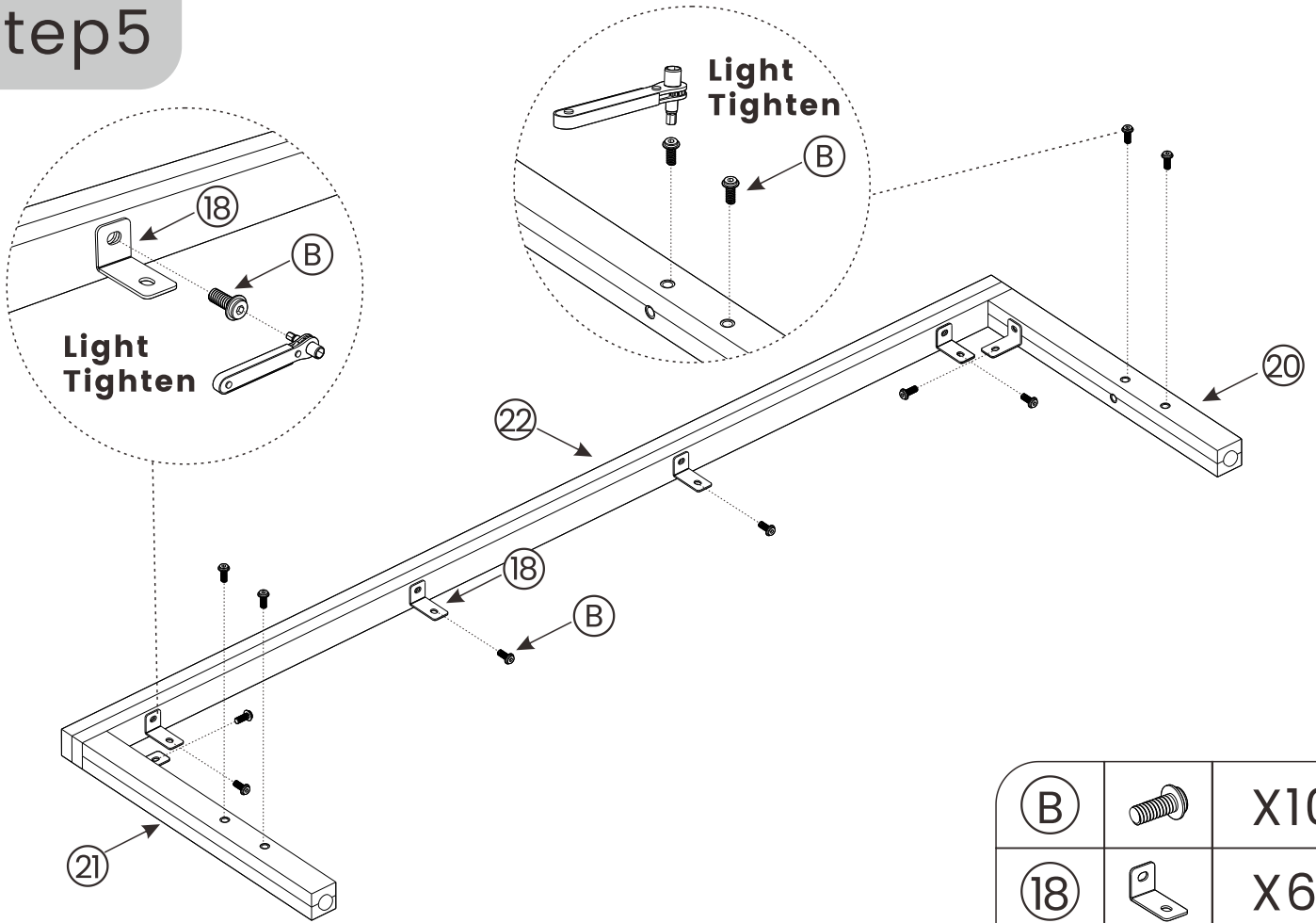
# Step 3



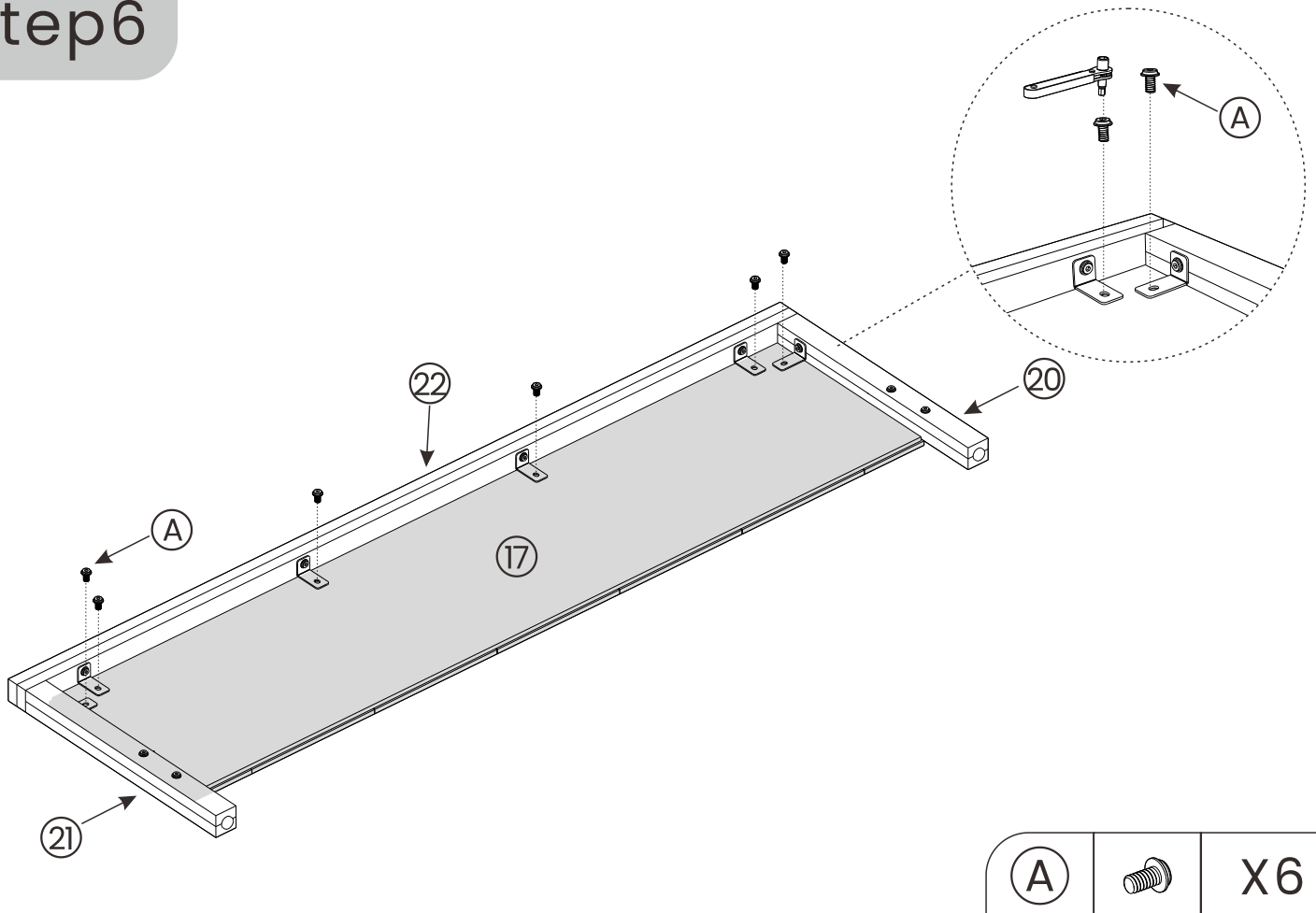
# Step 4



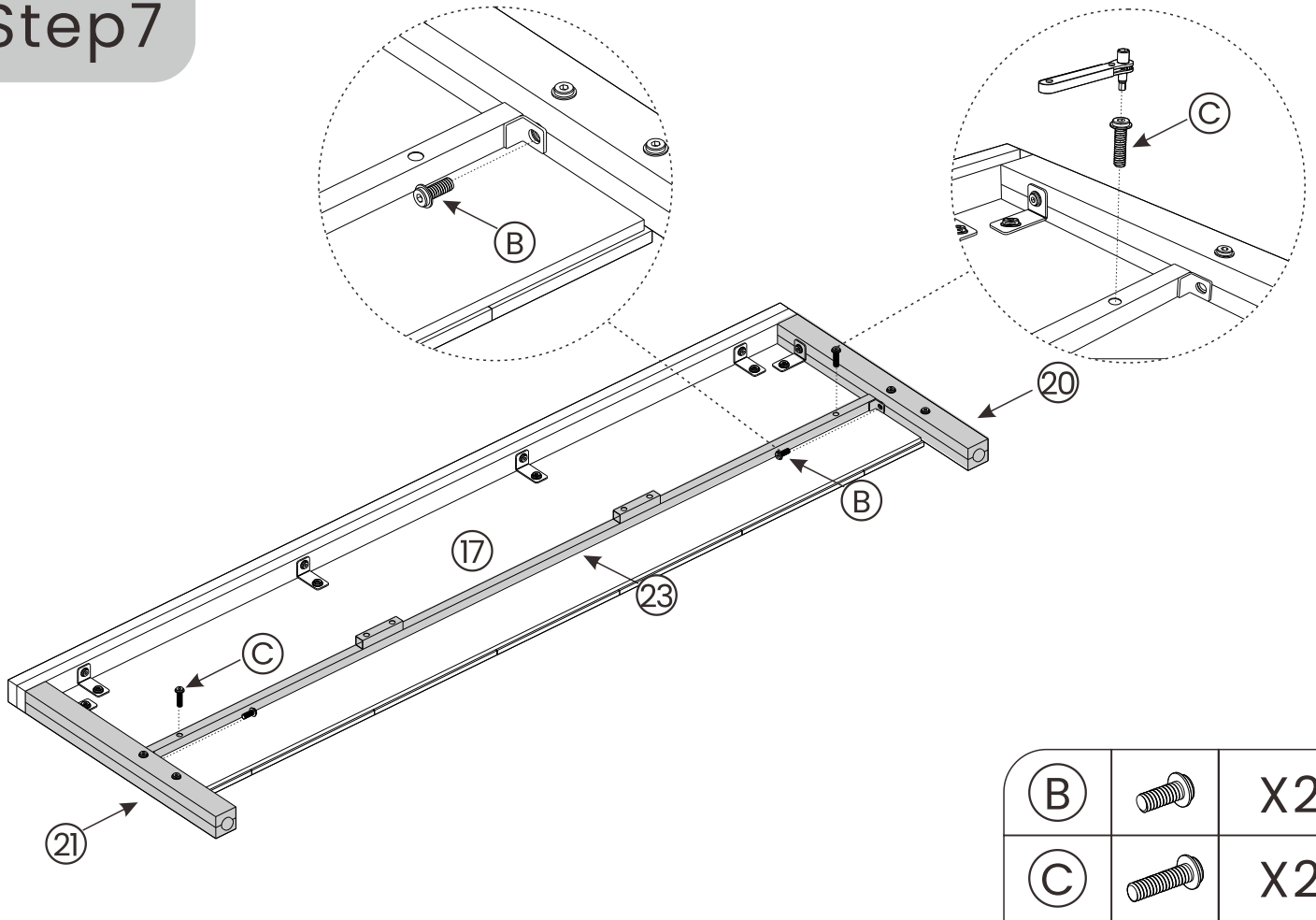
# Step 5



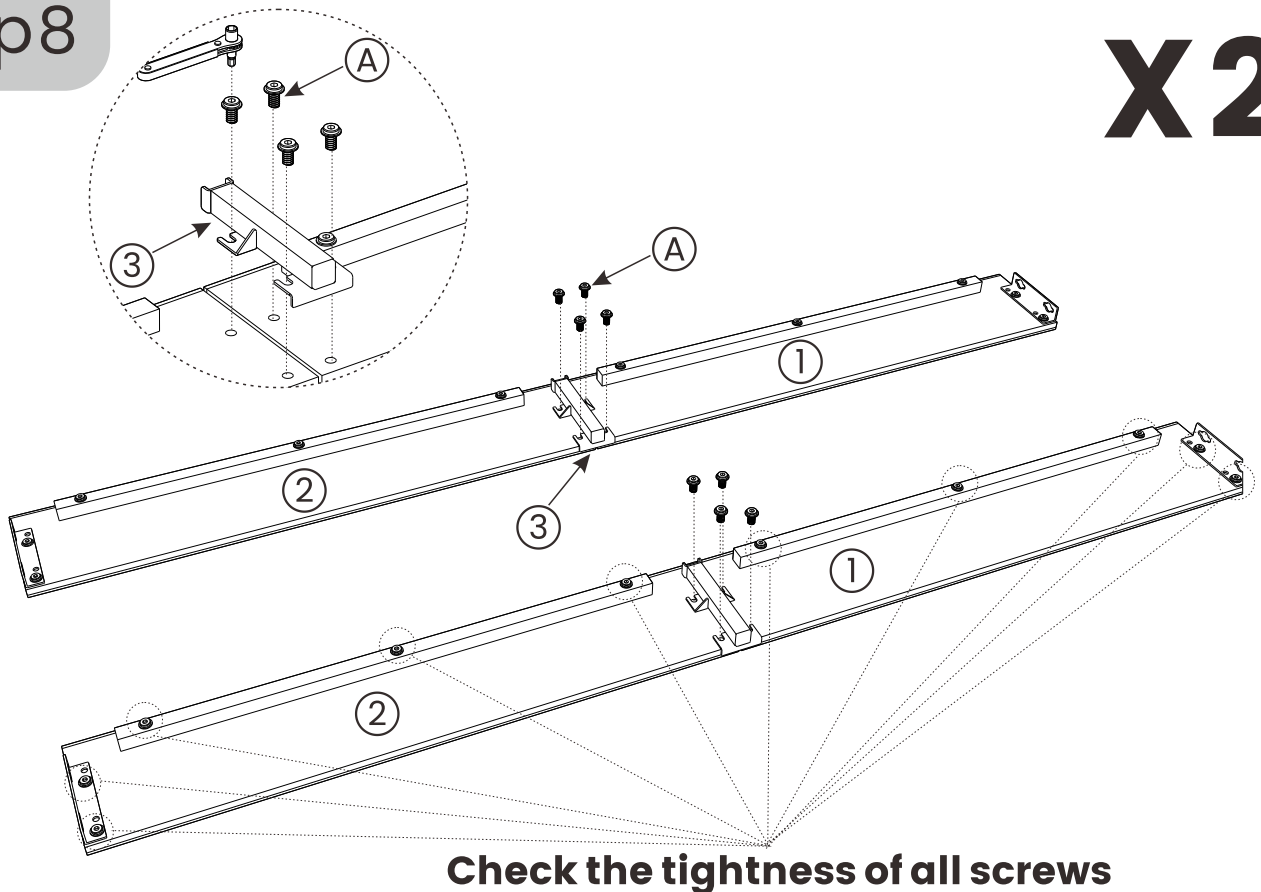
# Step 6




# Step 7

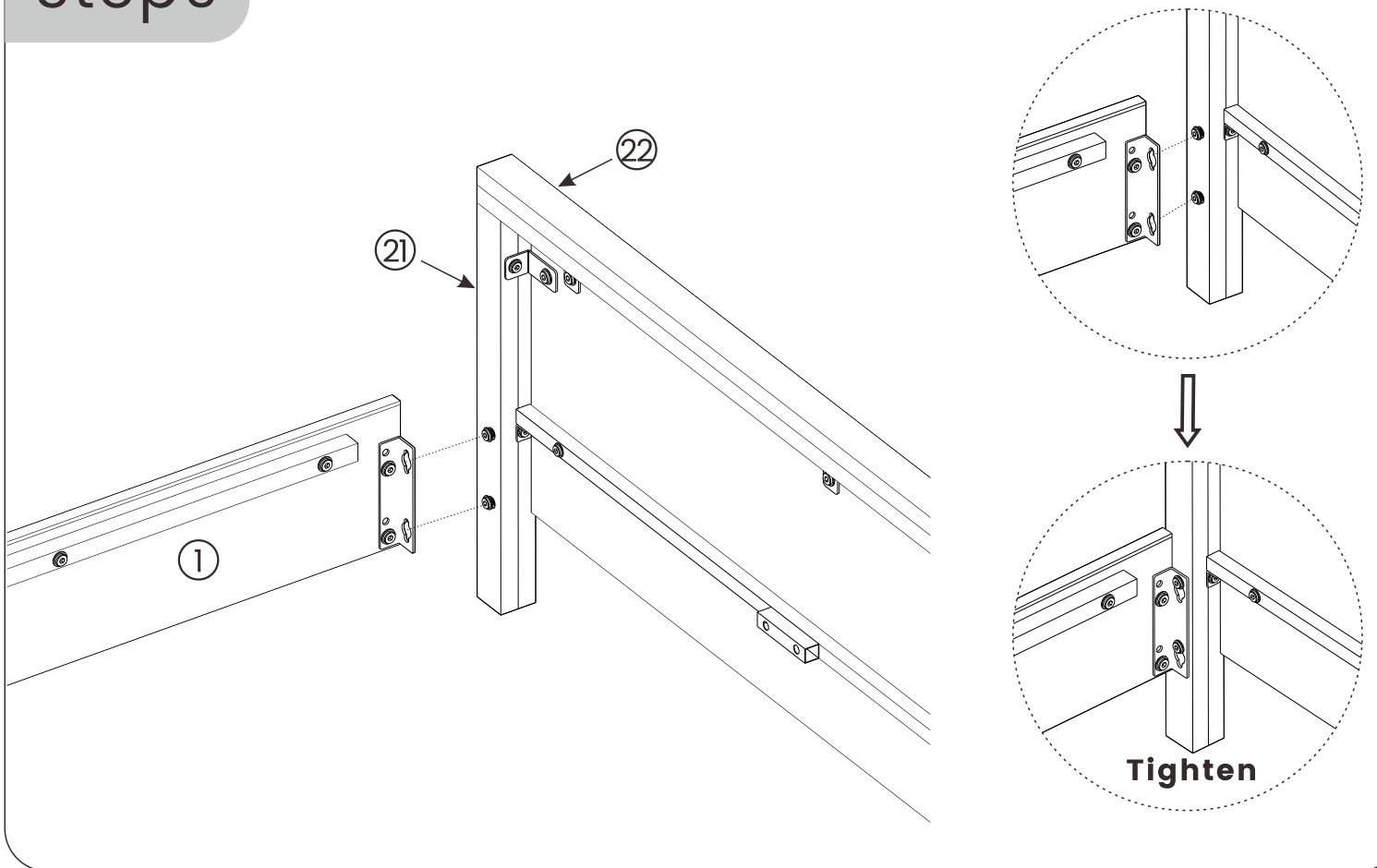


# Step 8

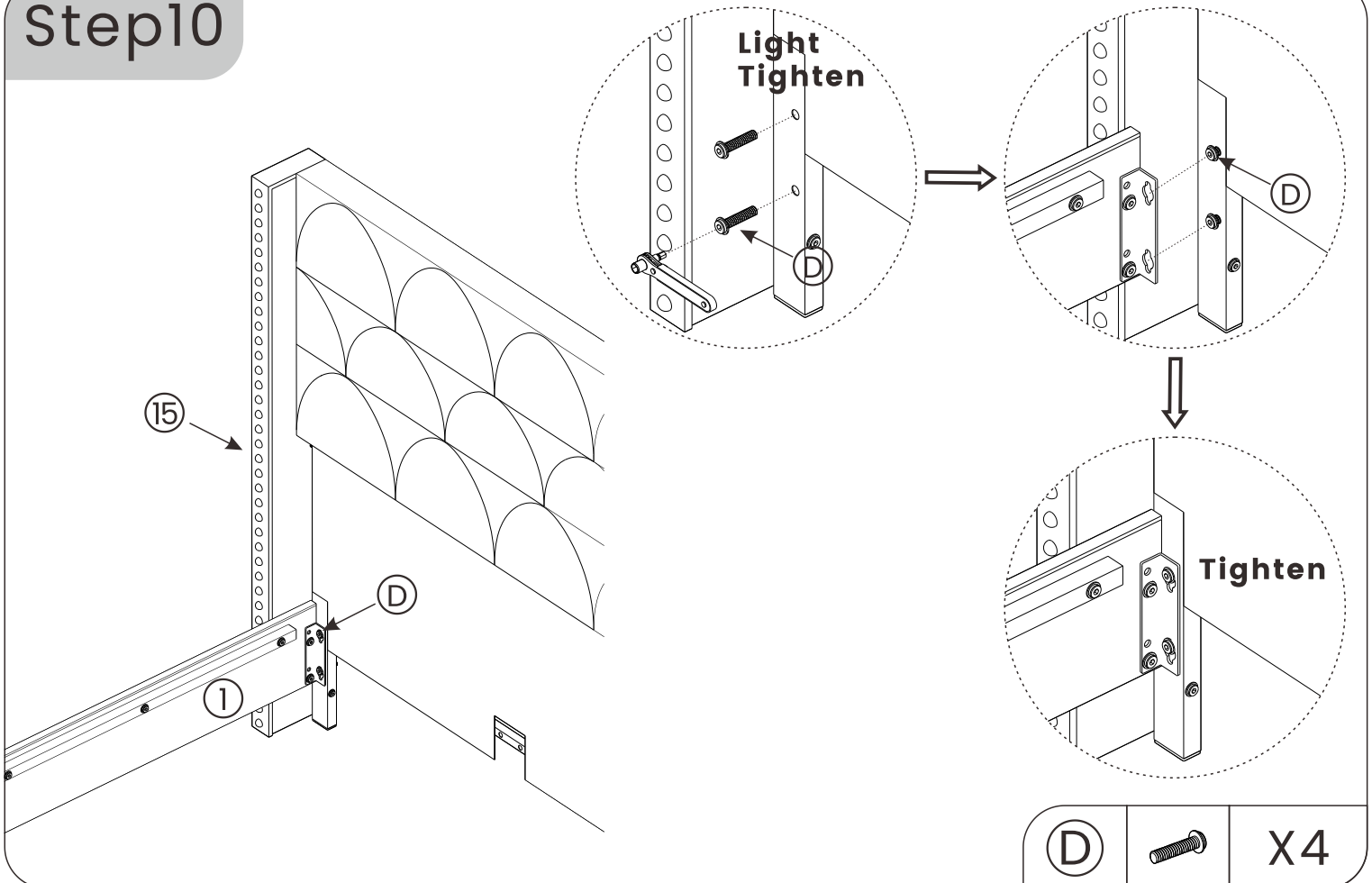


(A)		X8
-----	---	----

# Step 9

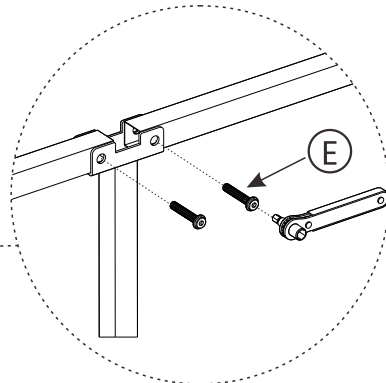
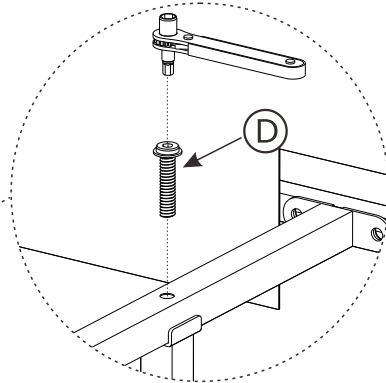
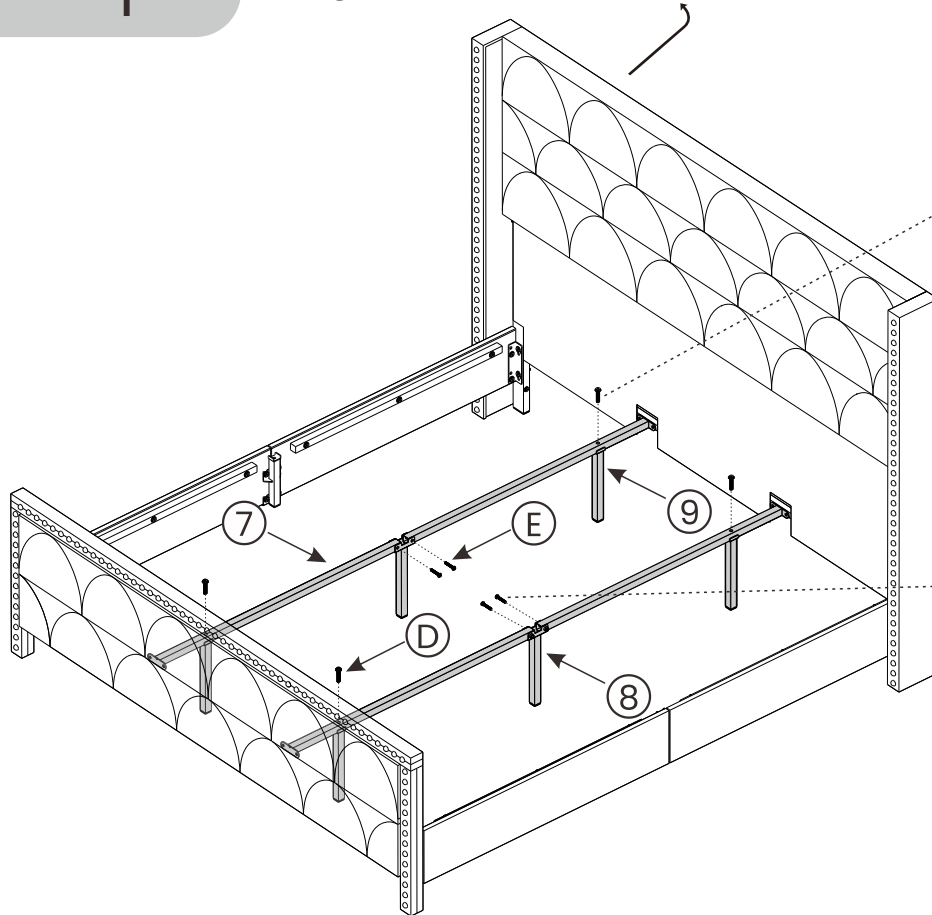




# Step 10



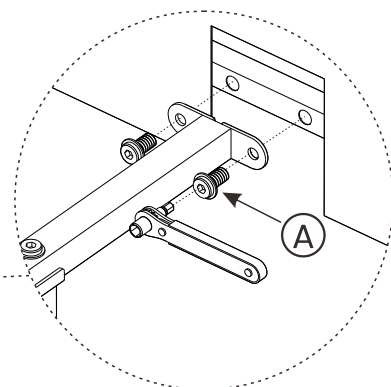
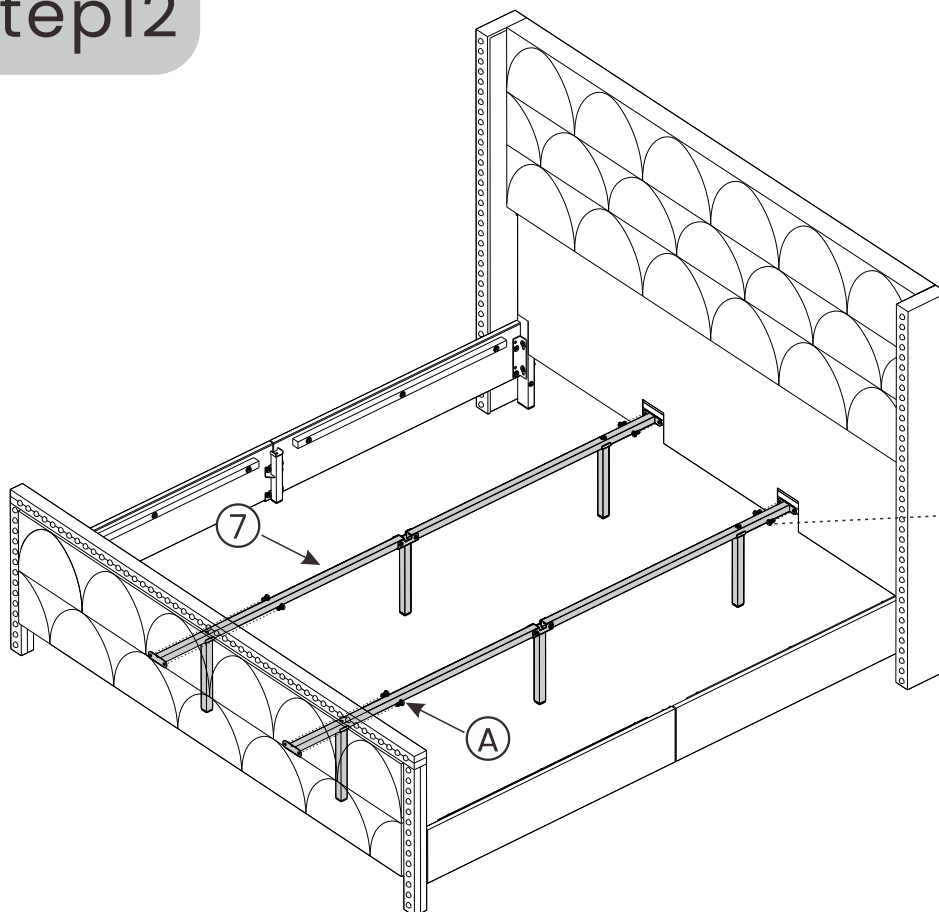
# Step11


Tighten all the F-number screws at the back.



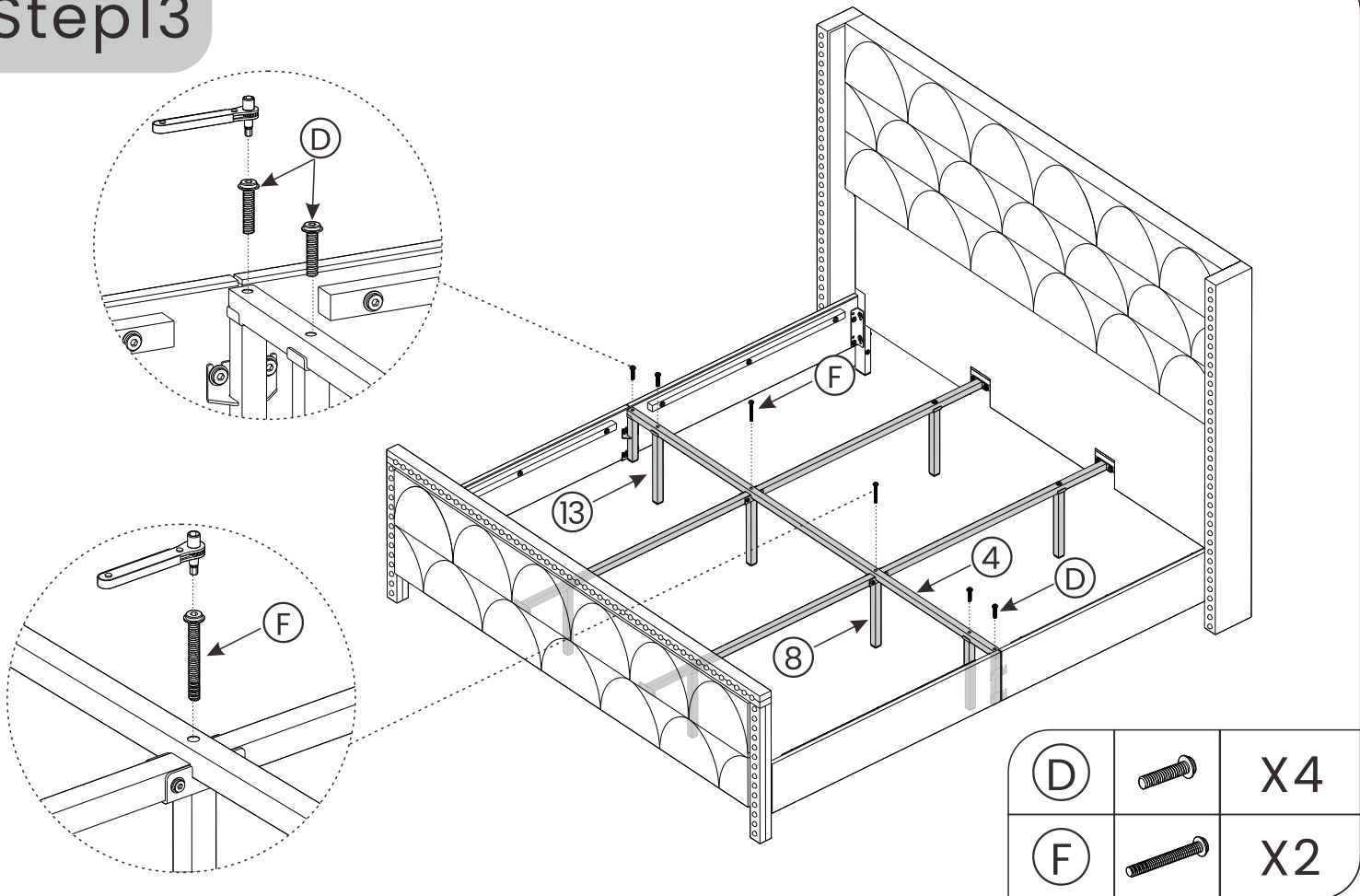
D		X4
E		X4

# Step12



A		X8
---	---	----

# Step13



# Step14

