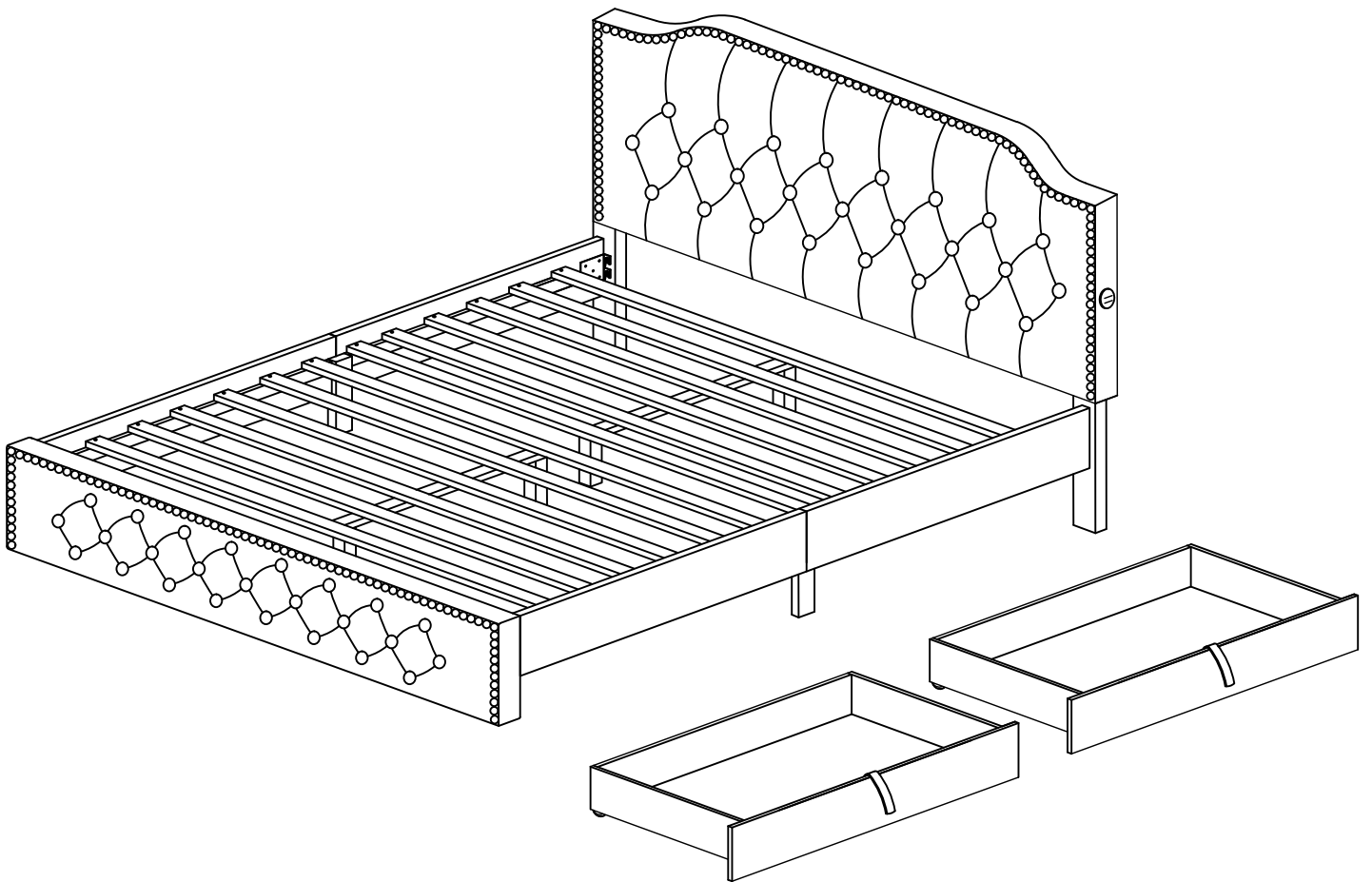
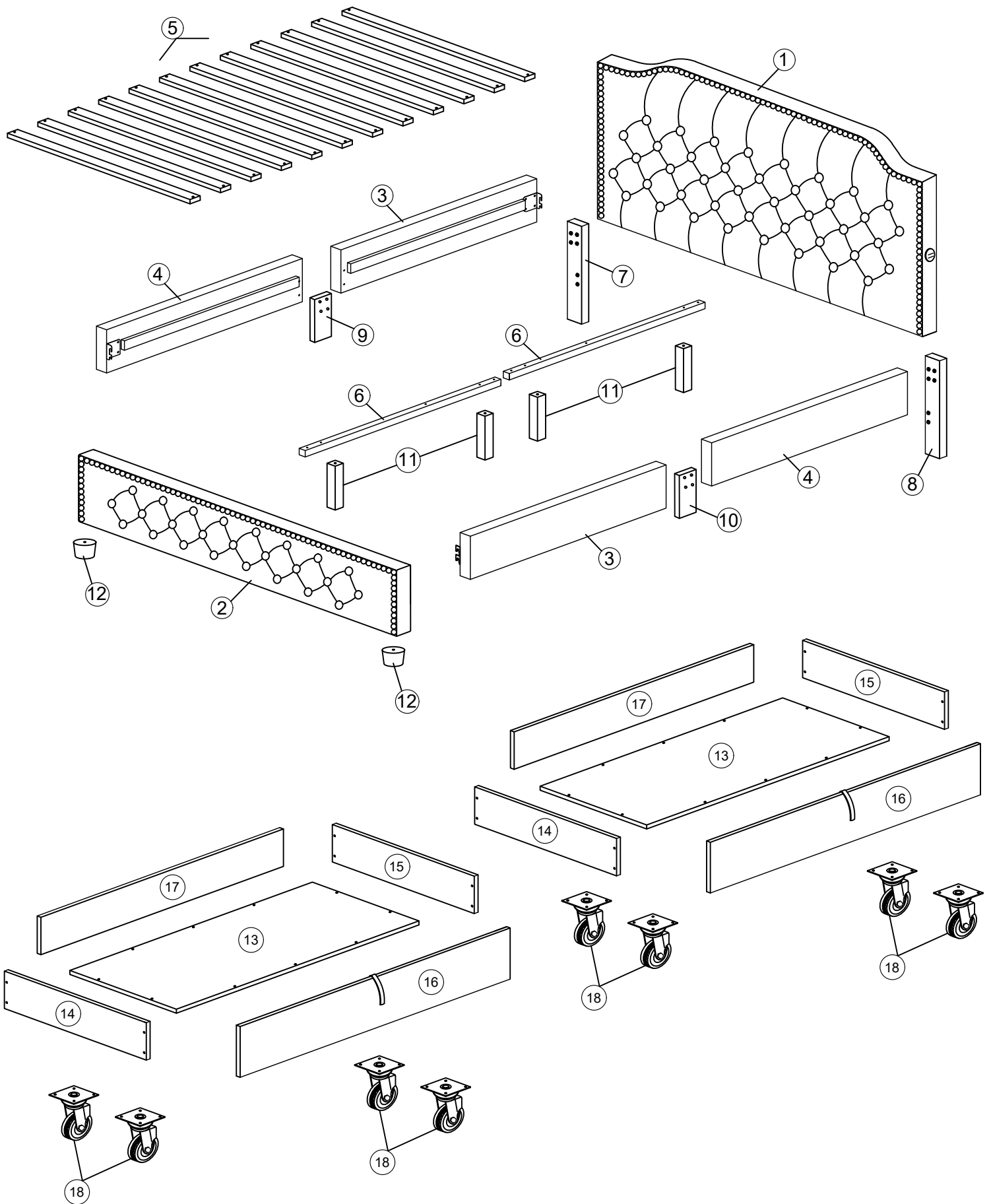


ASSEMBLY INSTRUCTION (WF306976 / WF306977)

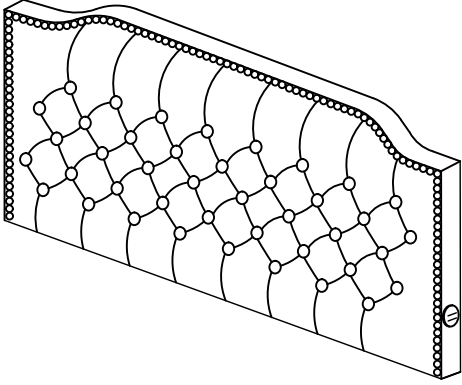


ASSEMBLY INSTRUCTION (WF306976 / WF306977)



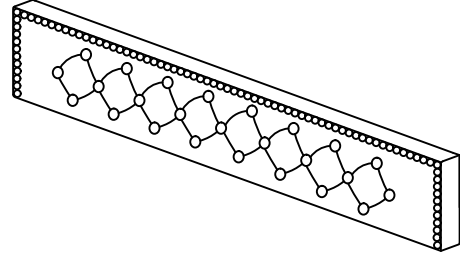
Part List (Box 1 - WF306976)

1



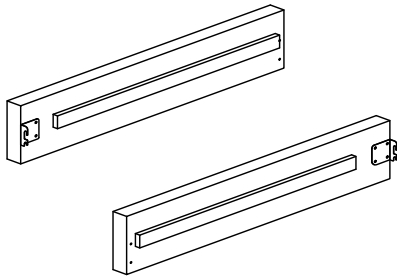
Headboard 1pc

2



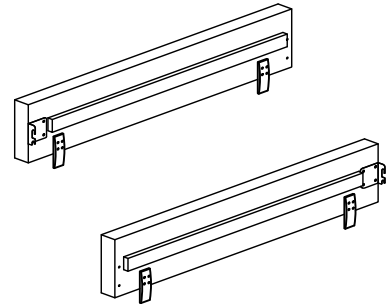
Footboard 1pc

3



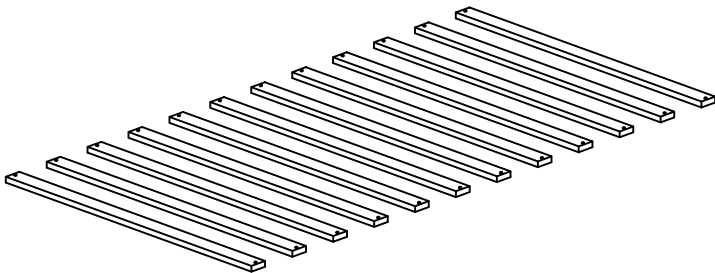
SidePanel (L) 2pcs

4



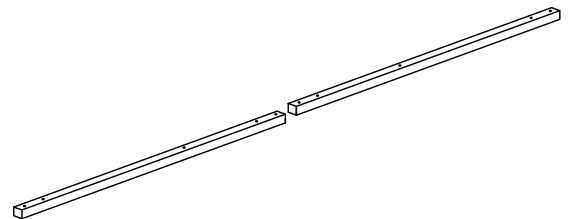
SidePanel (R) 2pcs

5



LVL Slats 12pcs

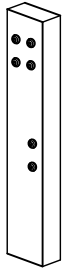
6



Center Wood 2pcs

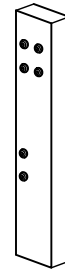
Part List (Box 1 - WF306976)

7



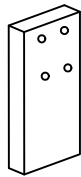
Headboard Leg (L) 1pc

8



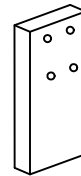
Headboard Leg (R) 1pc

9



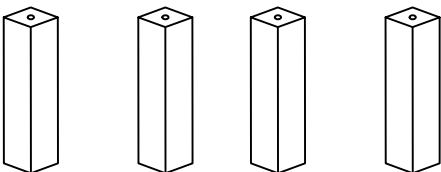
SidePanel
Center Leg (L) 1pc

10



SidePanel
Center Leg (R) 1pc

11



Center Legs 4pcs

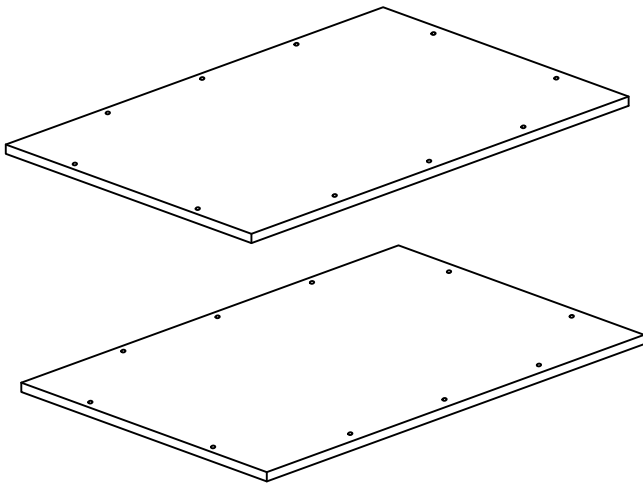
12



Footboard Legs 2pcs

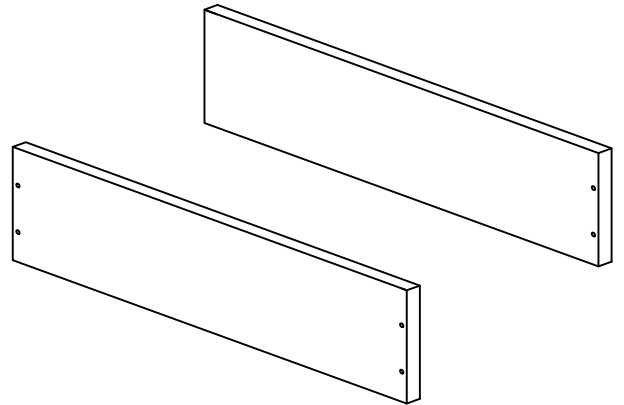
Part List (Box 2 - WF306977)

13



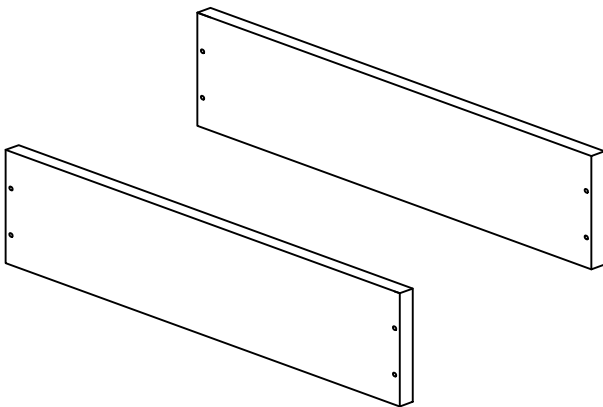
Drawer Bottom Panel 2pcs

14



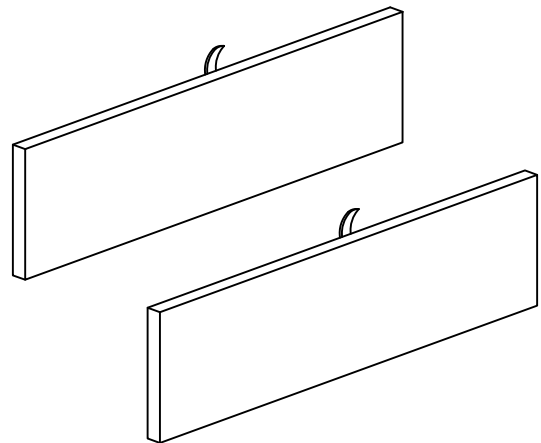
Drawer Side Panel (L) 2pcs

15



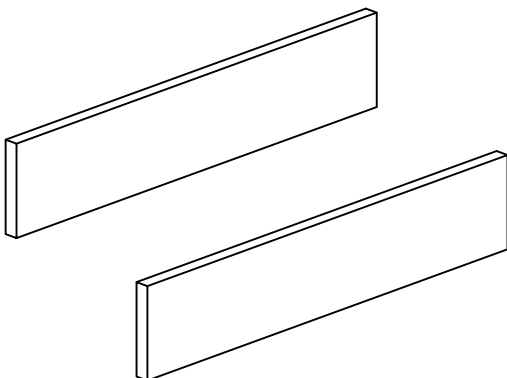
Drawer Side Panel (R) 2pcs

16



Drawer Front Panel 2pcs

17



Drawer Back Panel 2pcs

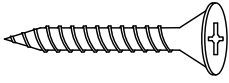
18



CASTER
NO LOCK 8 PCS

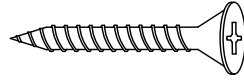
Hardware List (Box 1 - WF306976)

A



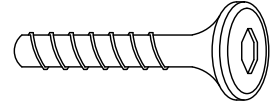
M4 X 32 MM
Chipboard Screw 24 pcs

B



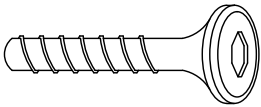
M4 X 45 MM
Chipboard Screw 2 pcs

C



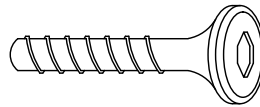
M6 X 25 MM
JCBC Screw 8 pcs

D



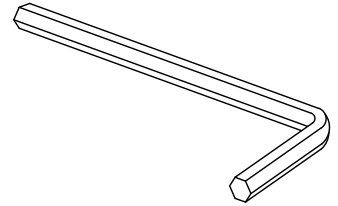
M6 X 30 MM
JCBC Screw 8 pcs

E



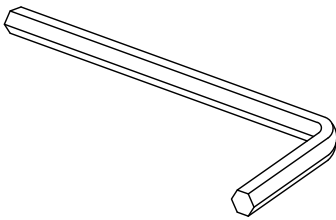
M6 X 45 MM
JCBC Screw 10 pcs

F



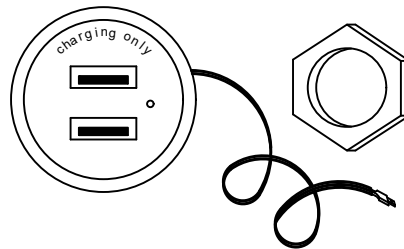
M4
Allen Key 1 pc

G

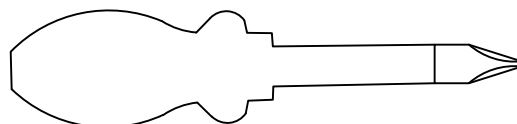


M5
Allen Key 1 pc

H



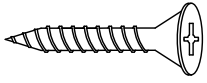
USB 2 pcs



ASSEMBLY TOOLS REQUIRED (NOT INCLUDED)

Hardware List (Box 2 - WF306977)

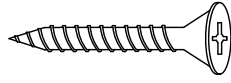
A



M4 X 16 MM

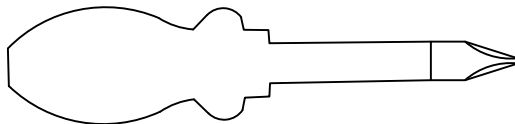
Chipboard Screw 32pcs

B



M4 X 32 MM

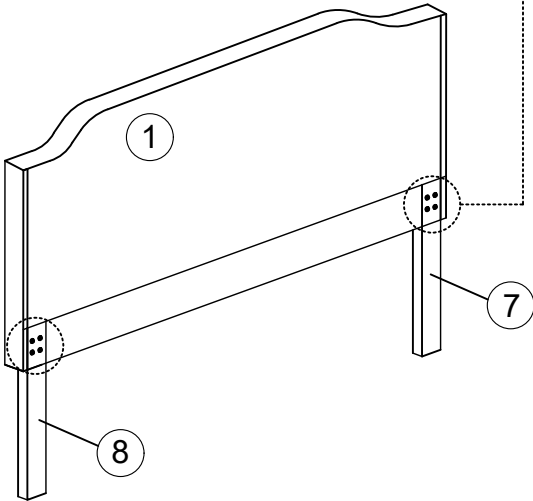
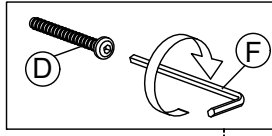
Chipboard Screw 36 pcs



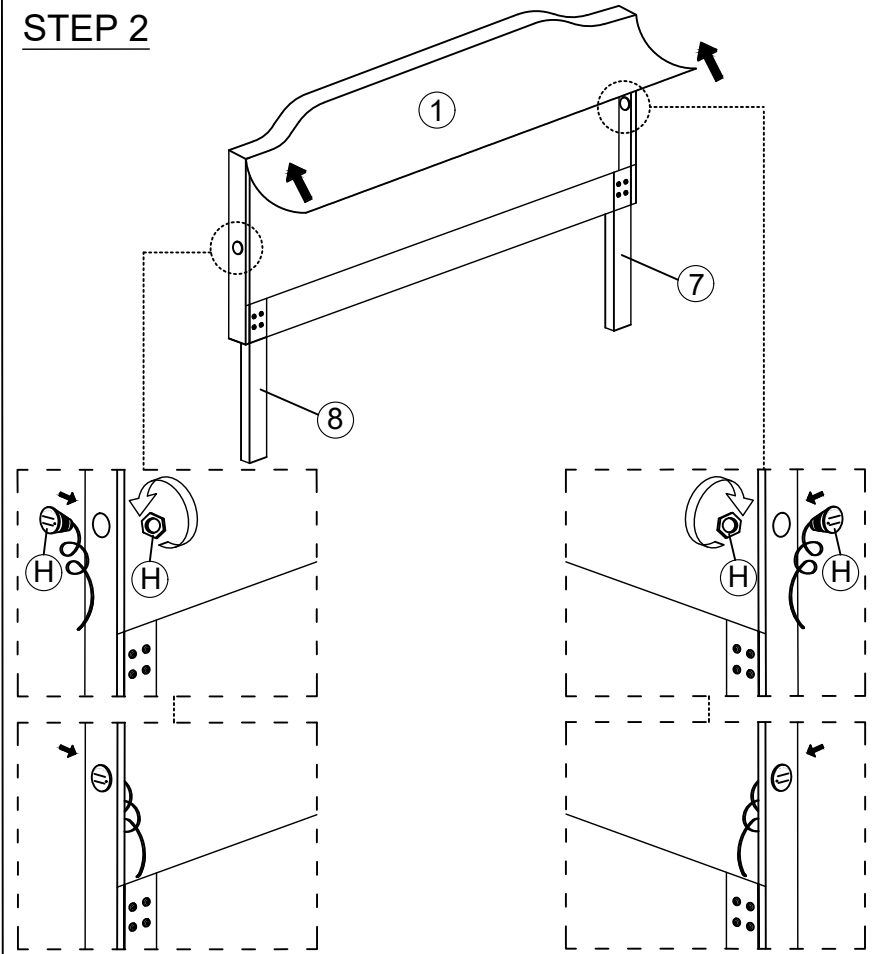
ASSEMBLY TOOLS REQUIRED (NOT INCLUDED)

ASSEMBLY INSTRUCTION

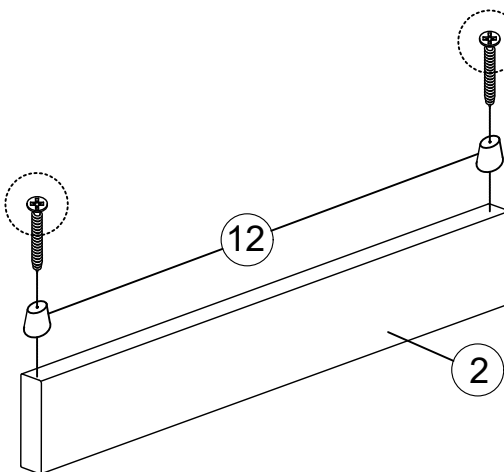
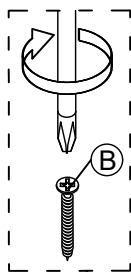
STEP 1



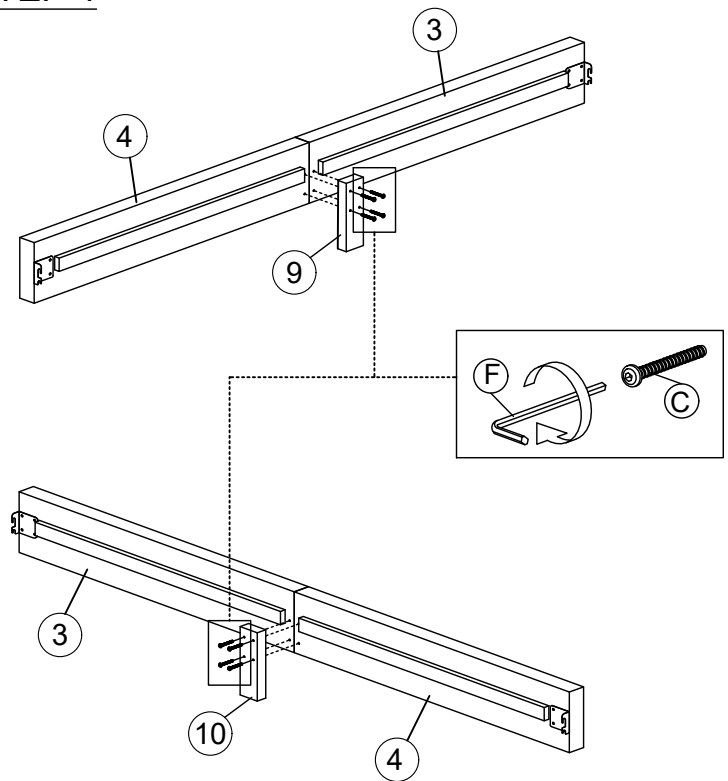
STEP 2



STEP 3

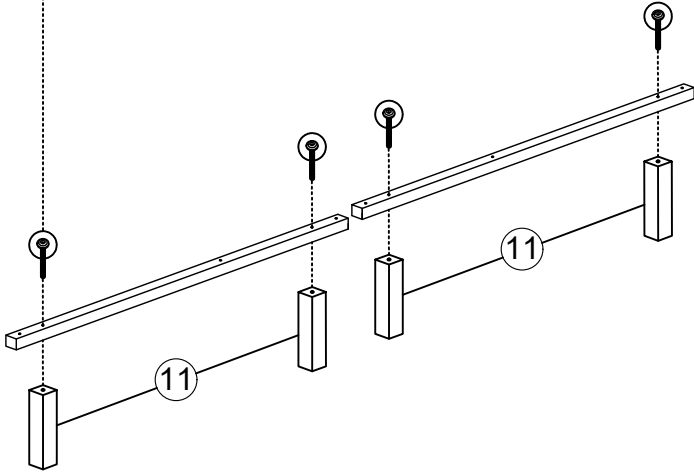
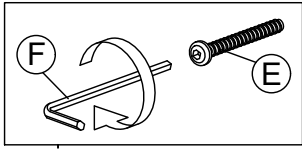


STEP 4

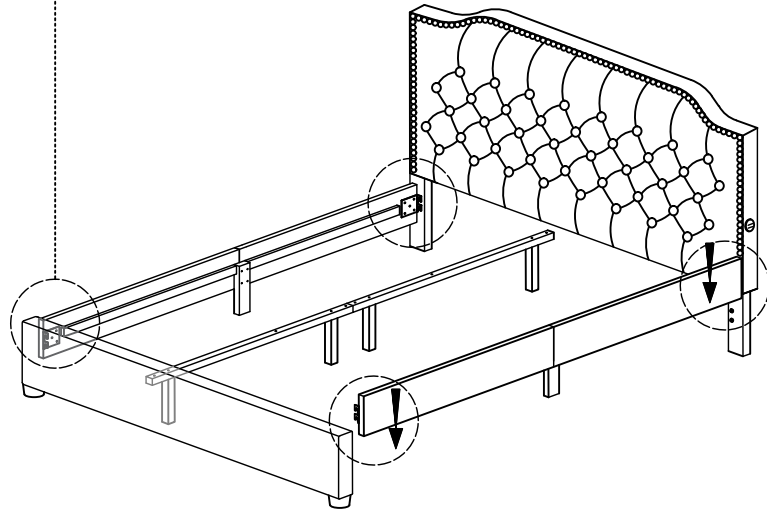
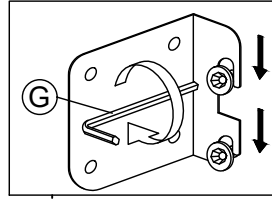


ASSEMBLY INSTRUCTION

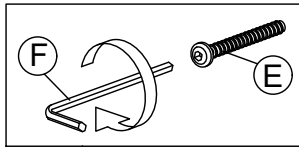
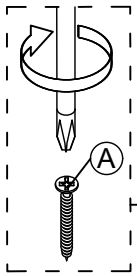
STEP 5



STEP 6

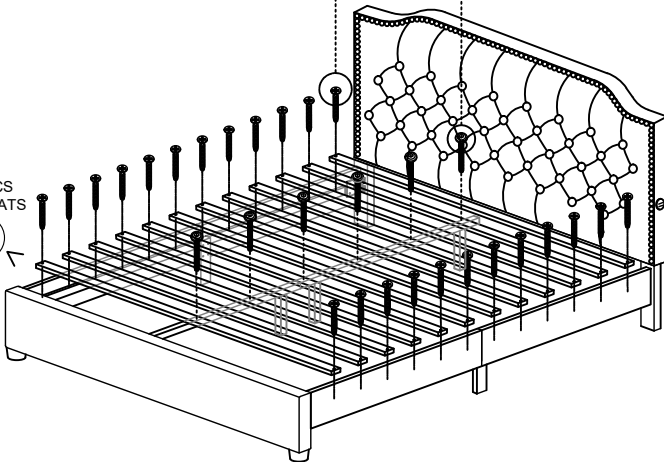


STEP 7

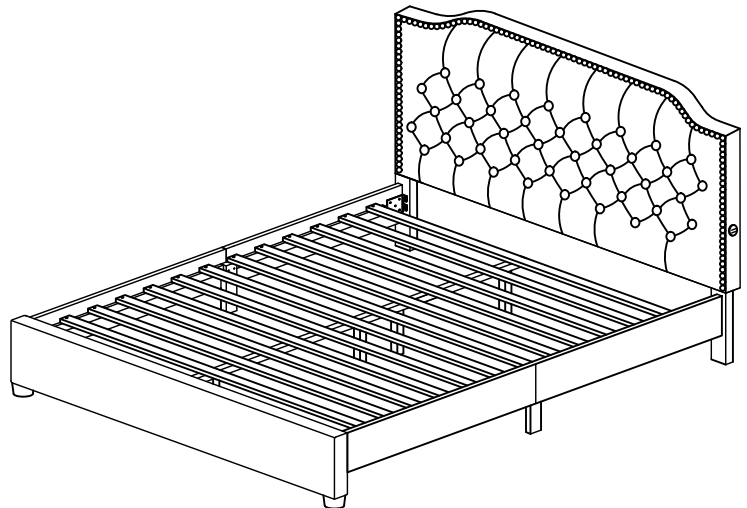


12 PCS
LVL SLATS

5

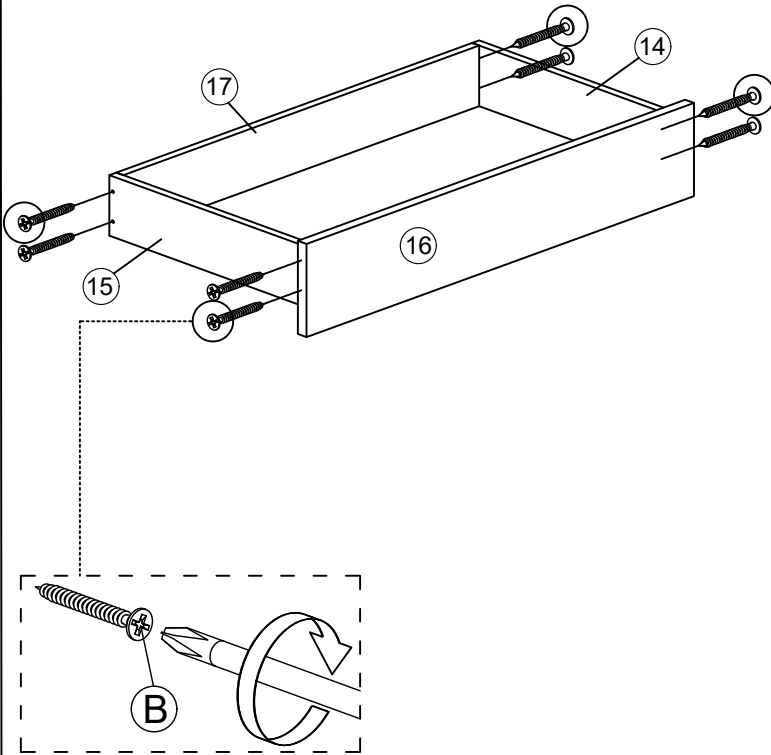


COMPLETE

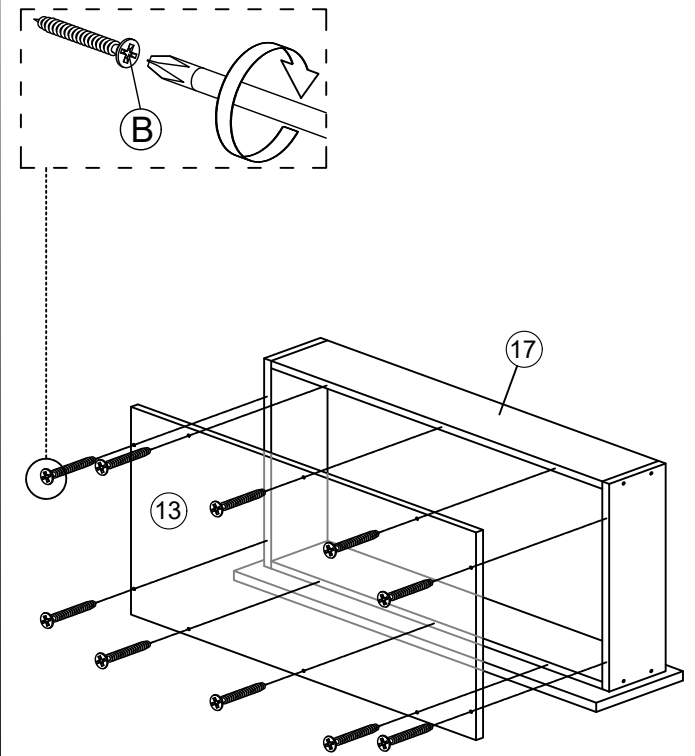


ASSEMBLY INSTRUCTION

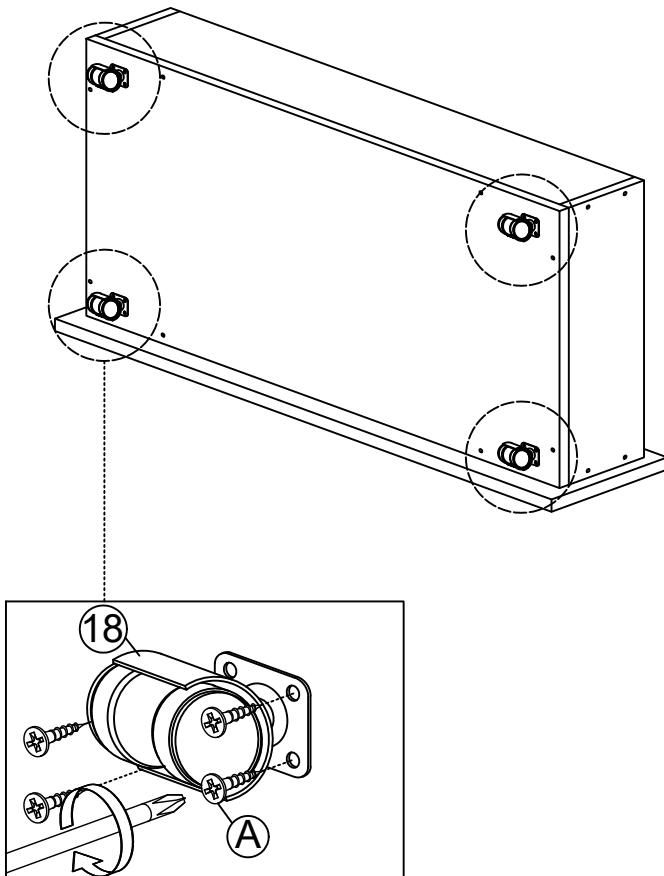
STEP 8



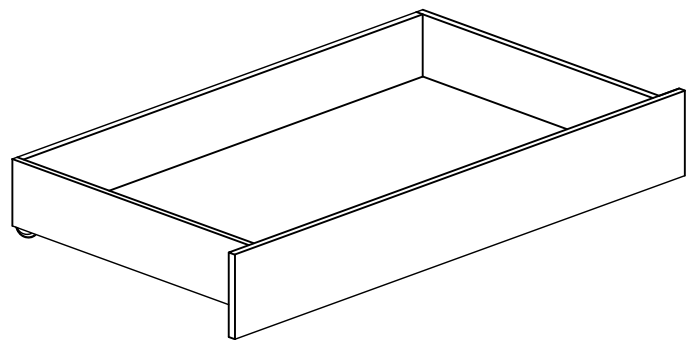
STEP 9



STEP 10



COMPLETE



FULLY COMPLETED ASSEMBLY

