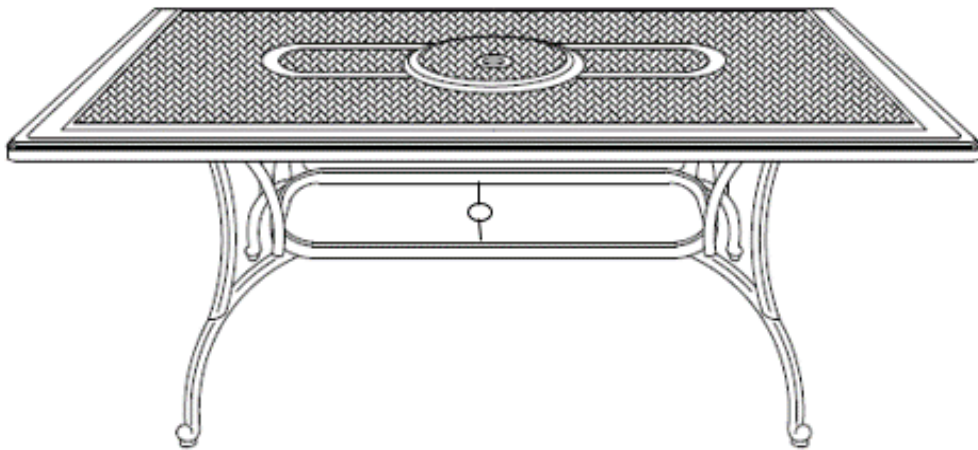


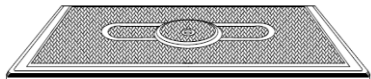
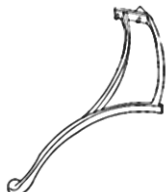
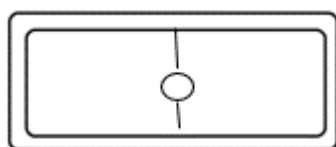
# Assembly Instructions

**Caution : You must read this before you proceed**









## Table



## Parts List

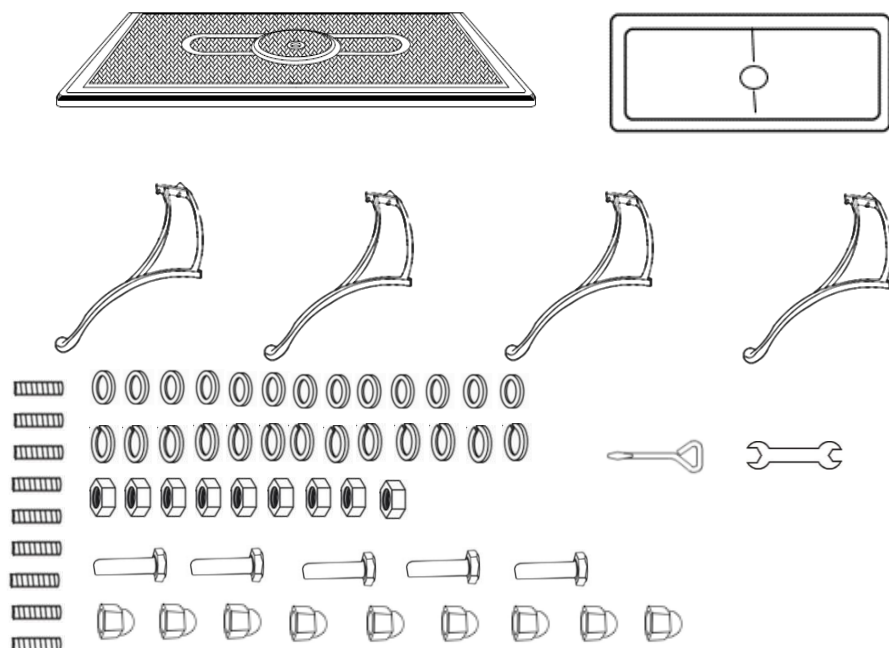
Label	Picture	Description	QTY
A		Table Top	1
B		Table Leg with pre-attached Levellers	4
C		Central Support Ring	1

# Hardware

Label	Picture	Description	QTY
①		Bolt(M8*35mm)	9
②		Washer(8mm)	13
③		Spring Washer(8mm)	13
④		Nut(8mm)	9
⑤		Hex Bolt(M8*35mm)	5
⑥		Screwdriver	1
⑦		Spanner	1
⑧		Rubber Cap	9

## Assembly Preparation

Before Beginning Assembly:





- Read instructions, cover to cover-



- Have 2 adults on hand for assembly-



- Do not assemble on flooring or carpet-



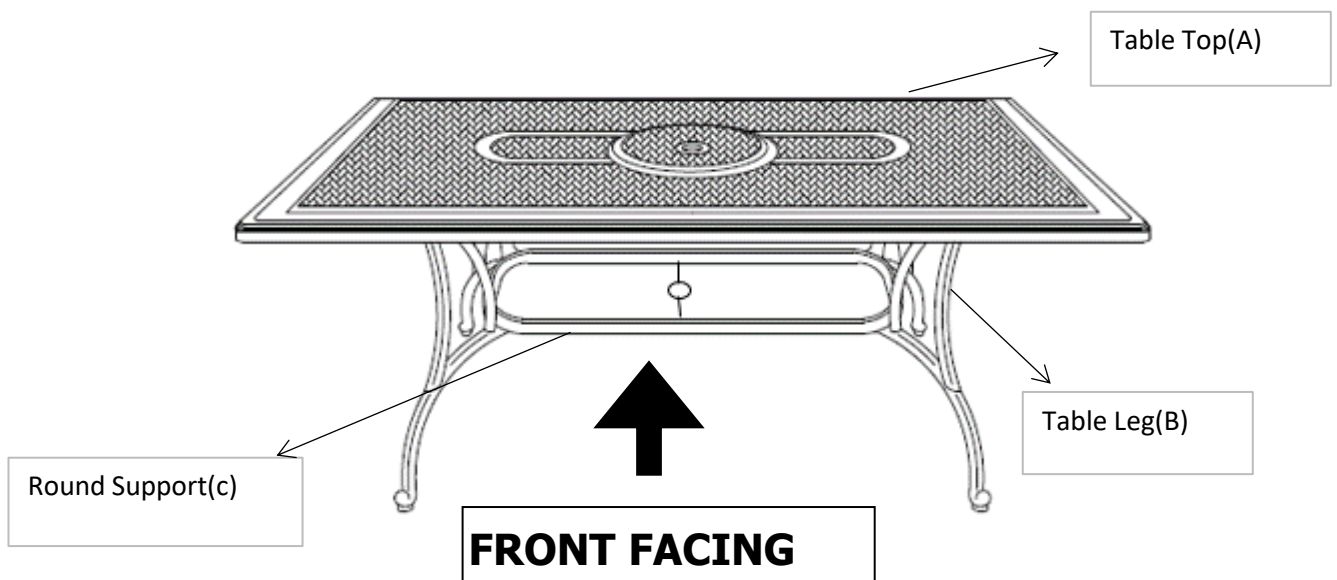
- Assemble on a clean non-marring surface (packing foam)-



- Save all packaging until finished-

## Assembly Steps

### Overview

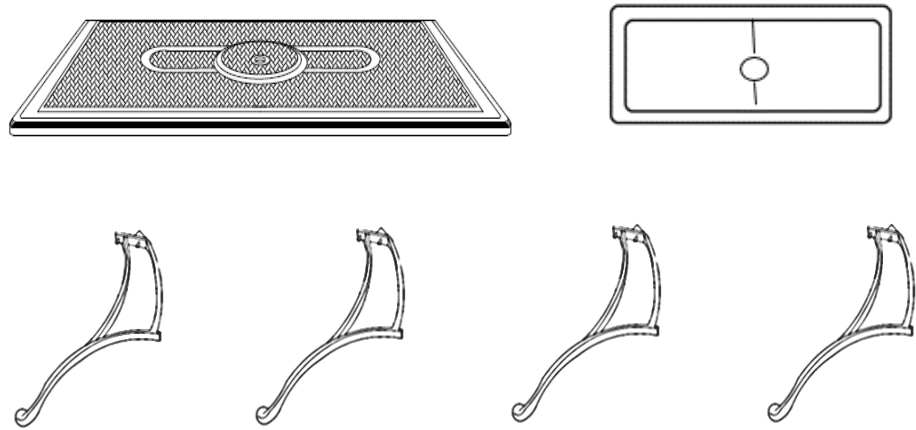


This Table has multiple parts and may require up to some 30 minutes to assemble.

To give you an overview of the Table parts, the above picture is to help you put the various parts into perspective.

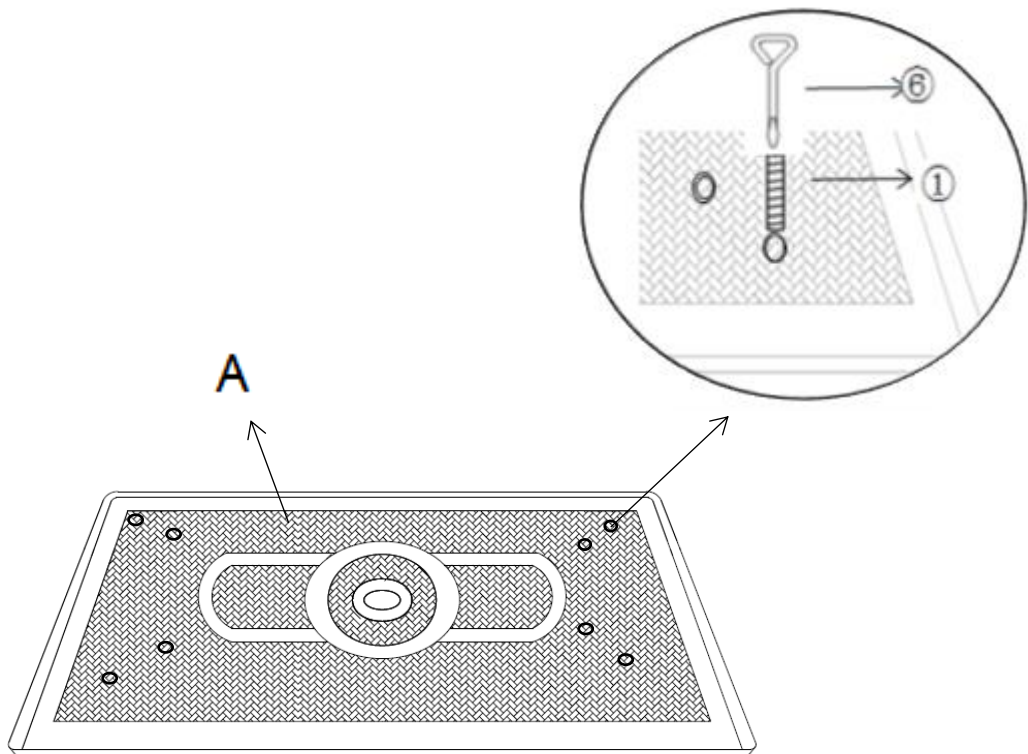
Please read through the instructions below to familiarise yourself with the parts and steps before assembly.

## Step 1



Unpack and place all parts on a clean, soft surface.

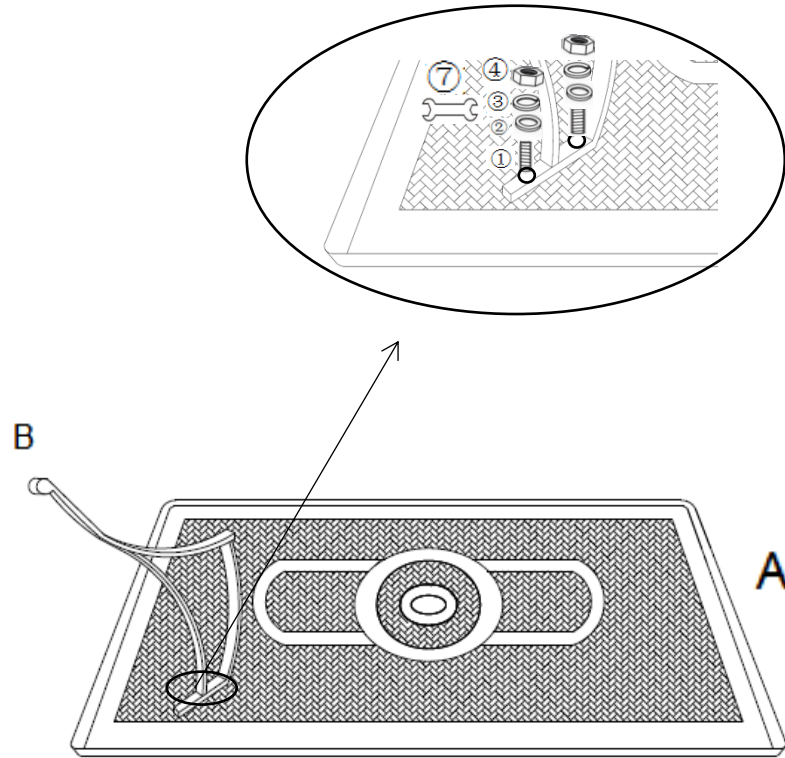
## Step 2



Lay the Table Top(A), facedown, onto a flat, soft, clean surface and lock the mounting positions with bolts(①) by using Screwdriver(⑥).

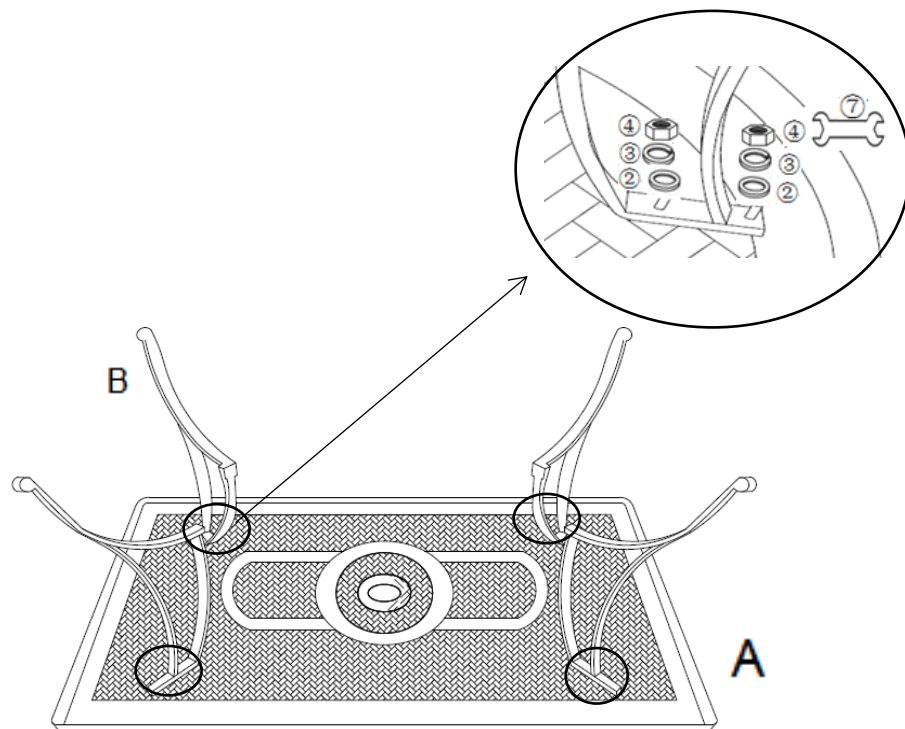
**DO NOT OVERTIGHTEN.**

### Step 3



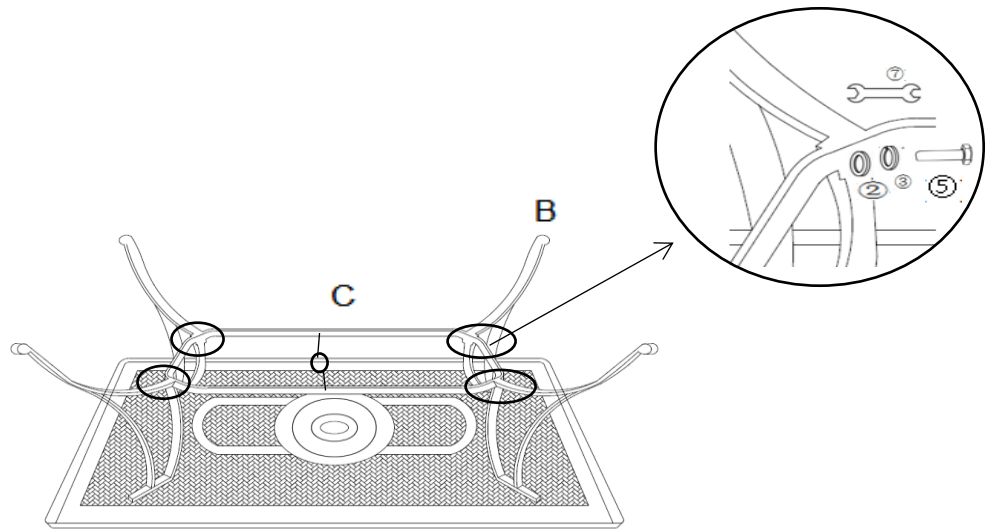
Attach the table leg with pre-attached Levellers(B) to the table top(A) using washers(②),spring washers(③),and nuts(④) with spanner(⑦).  
**DO NOT OVERTIGHTEN.**

### Step 4



Repeat step 3, attaching the remaining 3 legs to the Table top(A).  
**At this stage, only loosely tighten the Bolts.**

### Step 5

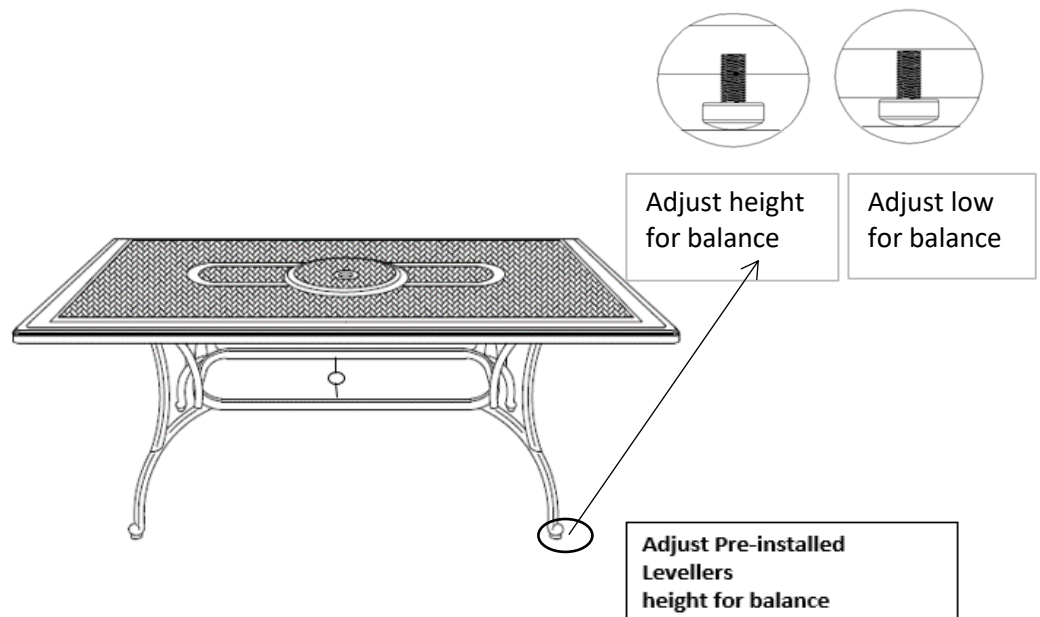


Loosely attach the Central Support Ring (C) to Table Leg with pre-attached Levellers(B) with washers(②),spring washers(③) and hex nuts(⑤),using the spanner(⑦).

Tighten all these Nuts and Washers in a sequential manner.

**DO NOT OVERTIGHTEN.**

### Step 6



Stand the table right side up.










Now, fully and securely, tighten all nuts, at all joints.

Add Rubber Caps(⑧) on all bolt ends to protect skin or clothing from getting snagged.

Adjust the Legs pre-installed Levellers until the Table is level with the ground.

**Caution: This TABLE can only be used on a flat, level surface.**

## Care & Maintenance

-  Do not put hot items directly on furniture surface.
  -  Do not clean furniture with harsh cleansers or polish.
  -  To obtain the longest lifespan of your outdoor products, minimizing exposure to direct sunlight is recommended.
  -  Children should not climb or jump on the furniture.
  -  Do not write on furniture without a padded barrier to protect the surface.
  -  To obtain the longest lifespan of your outdoor products, avoid extended and lengthy exposure to rain, snow, and direct sunshine. Whenever possible cover the product and /or place under patio or awnings.
  -  Not for commercial use. For residential use only .
  -  Stains may be removed with mild soap solution and damp cloth.
- 
-  Dust and pick-up spills using a clean, non-colored, lint-free cloth .