

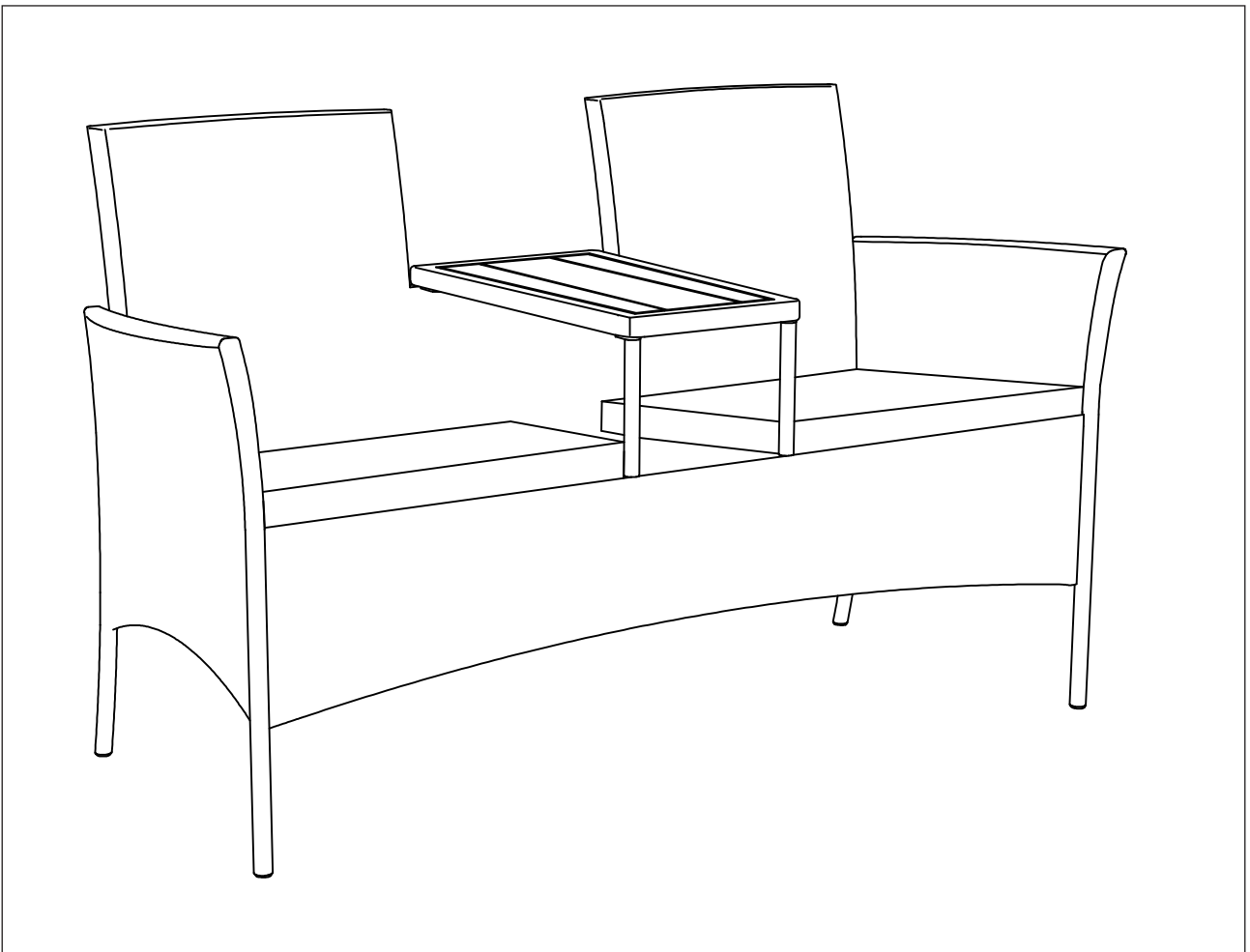
INSTRUCTION MANUEL ENCLOSED

ATTENTION

**IF YOU HAVE ANY PROBLEMS OR QUESTIONS, EMAIL OR CALL
CUSTOMER SERVICE BEFORE YOU RETURN THIS PRODUCT TO THE
STORE WHERE IT WAS PURCHASED.**

INSTRUCTION MANUEL ENCLOSED

1 LOVESEAT CHAIR
1 LOVESEAT CHAIR ASSEMBLY INSTRUCTION



PARTS LIST

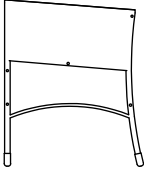
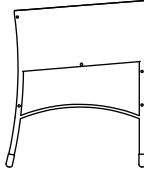
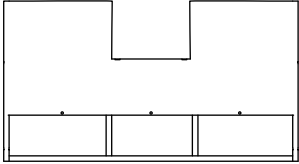
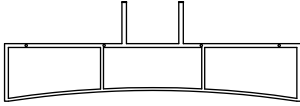
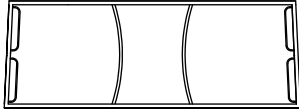


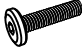
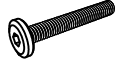
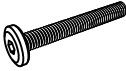


Part	Description	Quantity
------	-------------	----------

PARTS

A	Right arm	1
B	Left arm	1
C	Backrest	1
D	Side panel	1
E	Seat base	1
F	Polywood table top	1
G	Seat cushion	2

HARDWARE

1	Bolt M6x20 mm	4
2	Bolt M6x35 mm	13
3	Bolt M6x45 mm	4
4	Washer Ø6x14x1 mm	21
5	Allen key 4x60 mm	1

<p>A</p>  <p>x1</p>	<p>B</p>  <p>x1</p>	<p>C</p>  <p>x1</p>
<p>D</p>  <p>x1</p>	<p>E</p>  <p>x1</p>	<p>F</p>  <p>x1</p>
<p>G</p>  <p>x2</p>	<p>1</p>  <p>M6x20 mm</p> <p>x4</p>	<p>2</p>  <p>M6x35 mm</p> <p>x13</p>
<p>3</p>  <p>M6x45 mm</p> <p>x4</p>	<p>4</p>  <p>Ø6x14x1 mm</p> <p>x21</p>	<p>5</p>  <p>Allenkey 4 x 60</p> <p>x1</p>

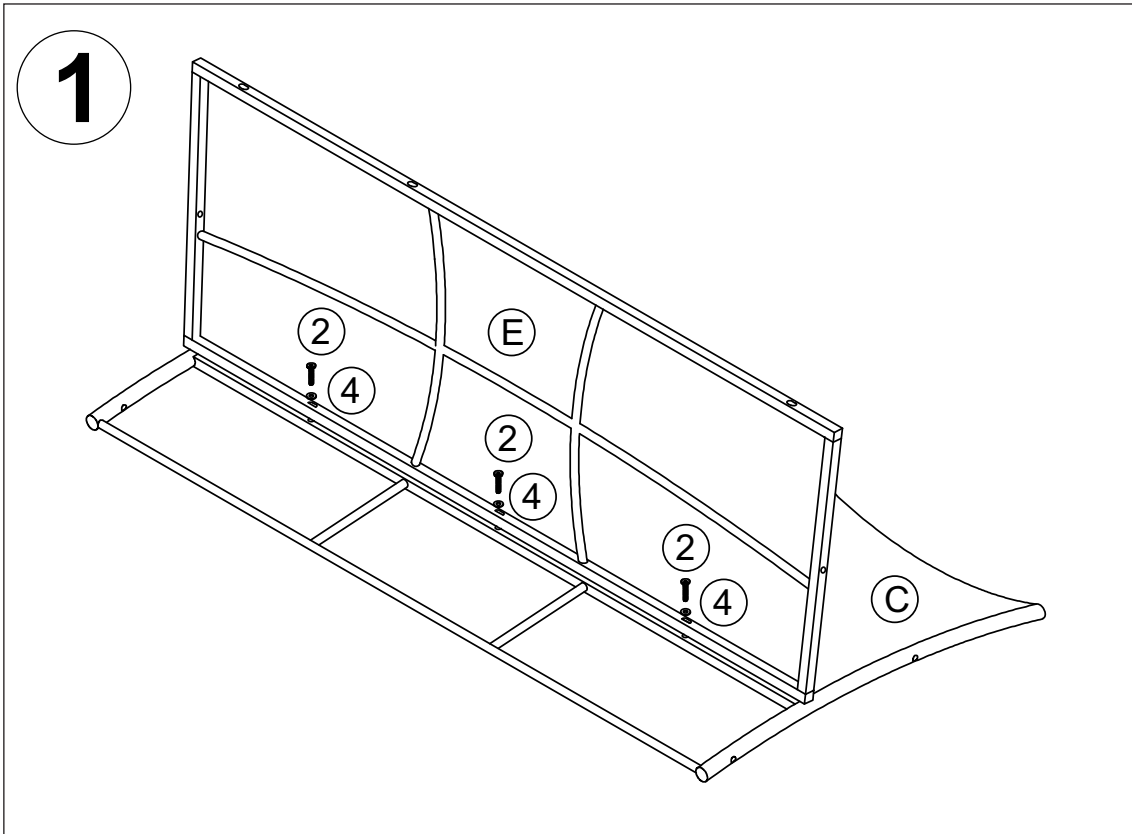
PLEASE READ AND FOLLOW ALL SAFETY TIPS

1. Before assembly, CAREFULLY use scissors or utility knife to cut and unwrap all parts. Make sure you do not discard the hardware.

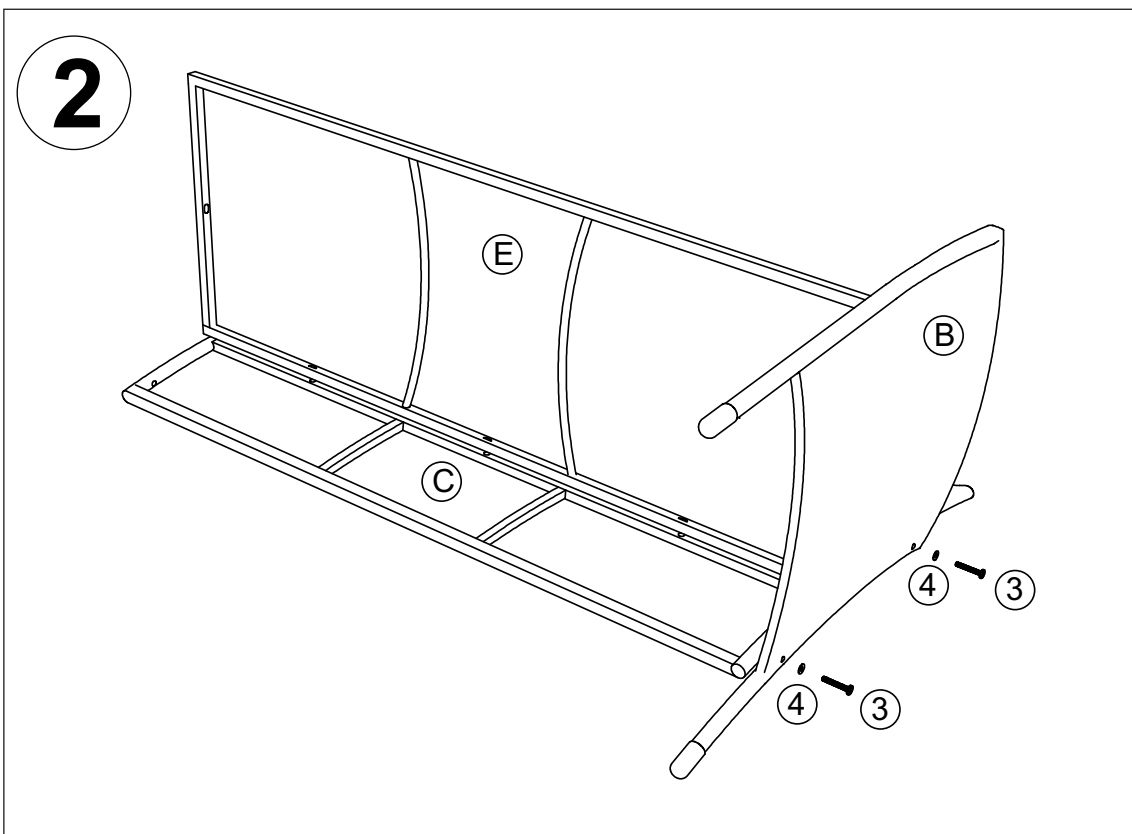
Warm Tips:

1. The plastic covers on some metal parts are just for product protection, Please remove it before assembly.
2. Please follow the sequence of AI during assembly.
3. Do not tighten the screws until all of them are in right positions.

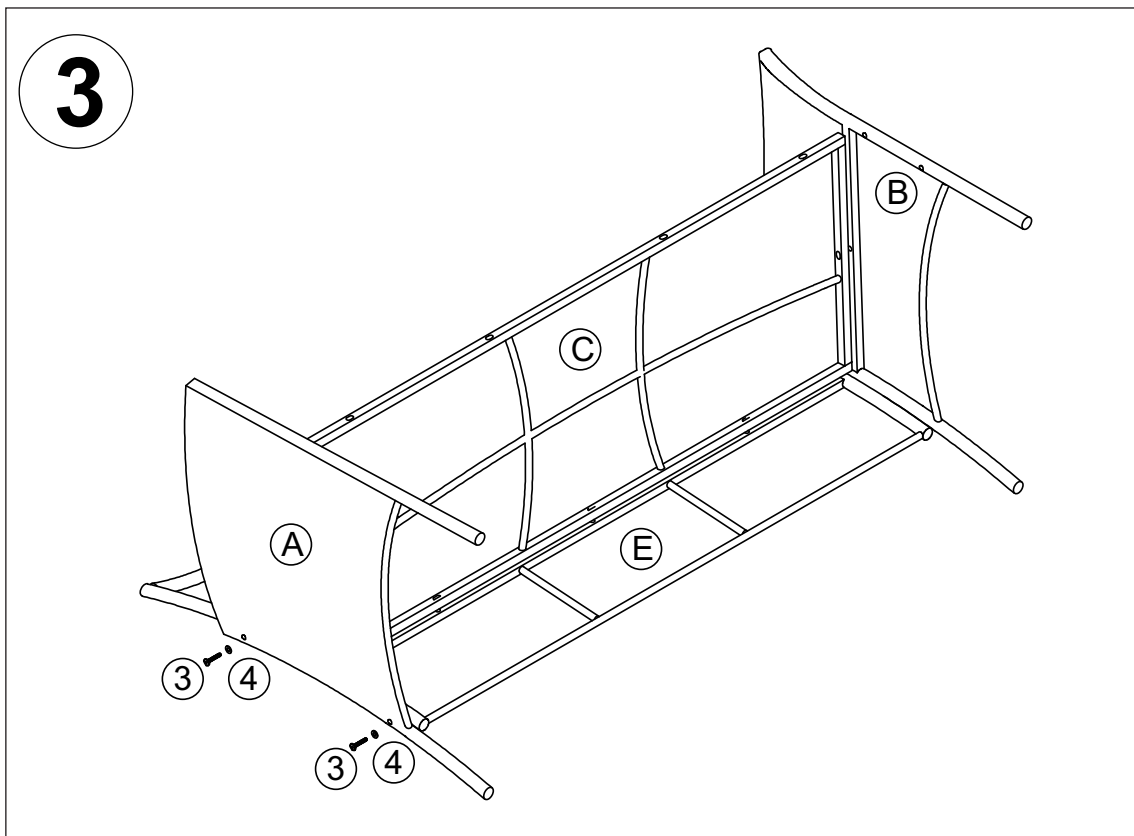
1. Locate Seat base (E) to the Backrest (C) by the pre-drilled threads.
Use Allen Key (5) to fasten Bolts (2) with Washers (4). Should have 3 bolts fastened.
Only fixed bolts 50% (Photo 1).



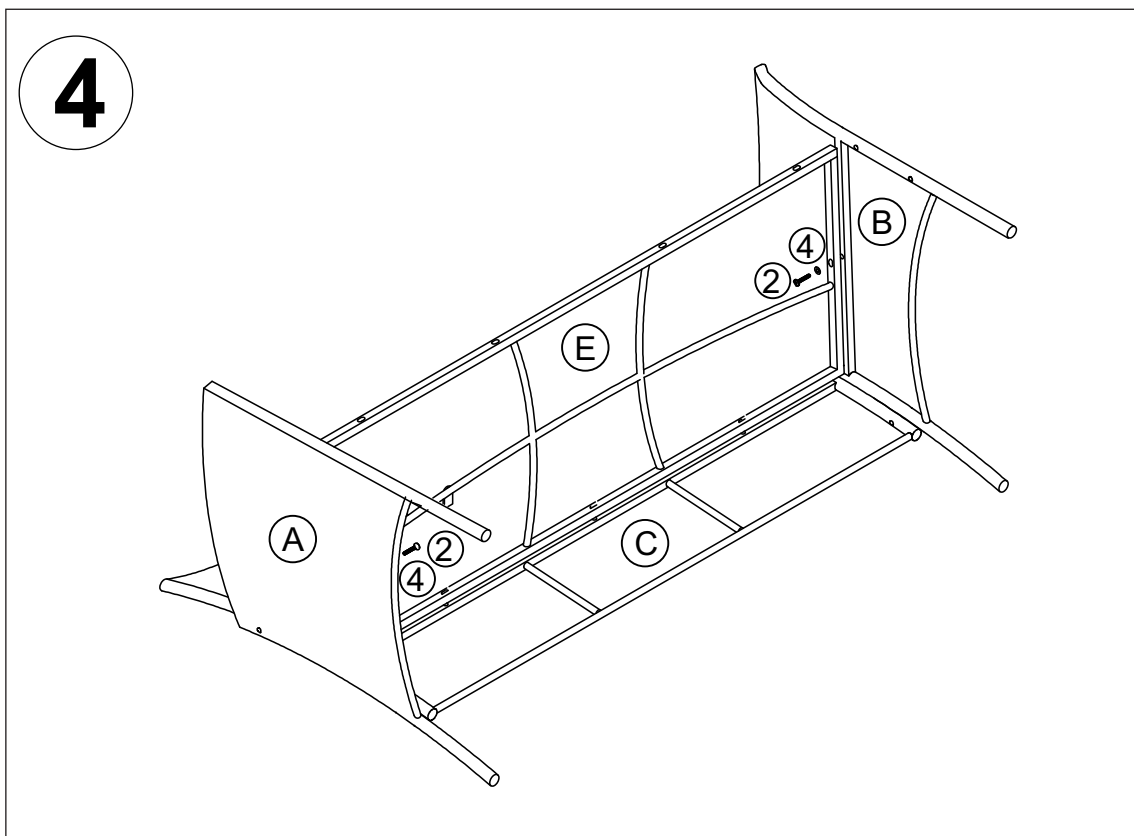
2. Locate Left arm (B) to the Backrest (C) and Seat base (E) by the pre-drilled threads.
Use Allen Key (5) to fasten Bolts (3) with Washers (4). Each arm Should have 2 bolts fastened.
Only fixed bolts 50%(Photo 2).



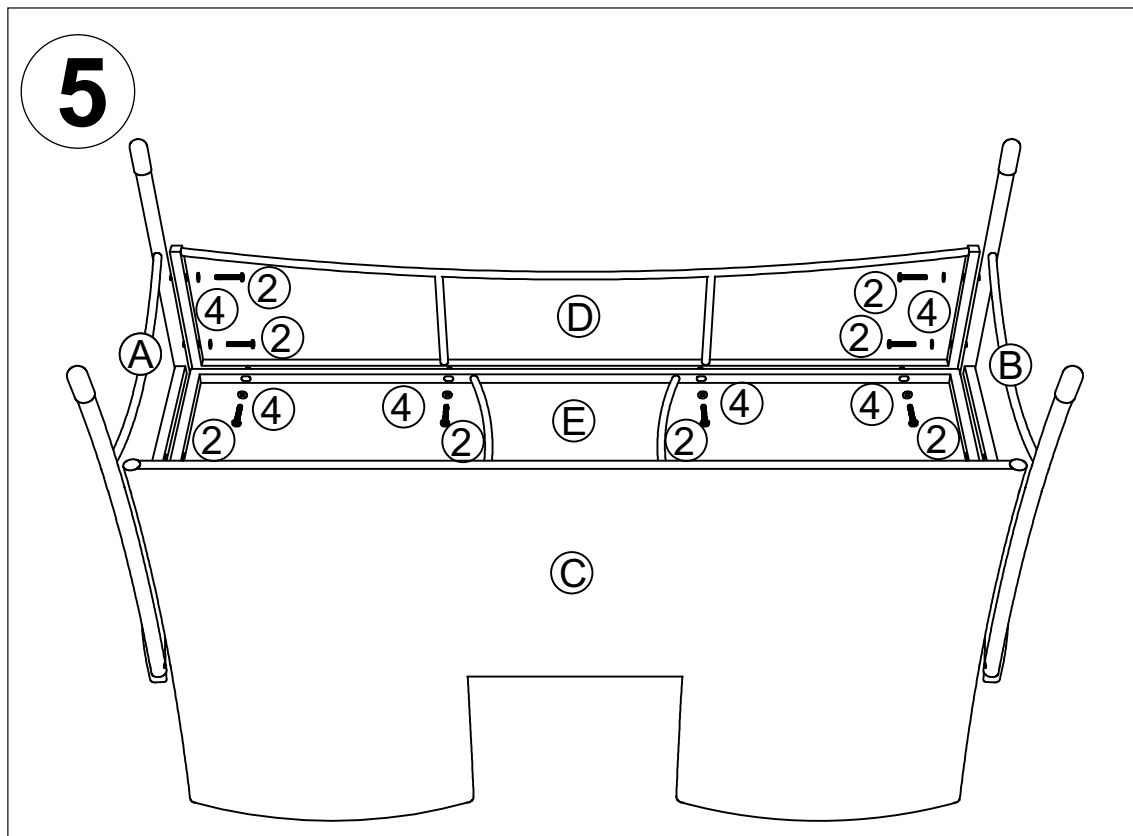
3. Locate Right arm (A) to the Backrest (C) and Seat base (E) by the pre-drilled threads.
Use Allen Key (5) to fasten Bolts (3) with Washers (4). Each arm should have 2 bolts fastened.
Only fixed bolts 50% (Photo 3).



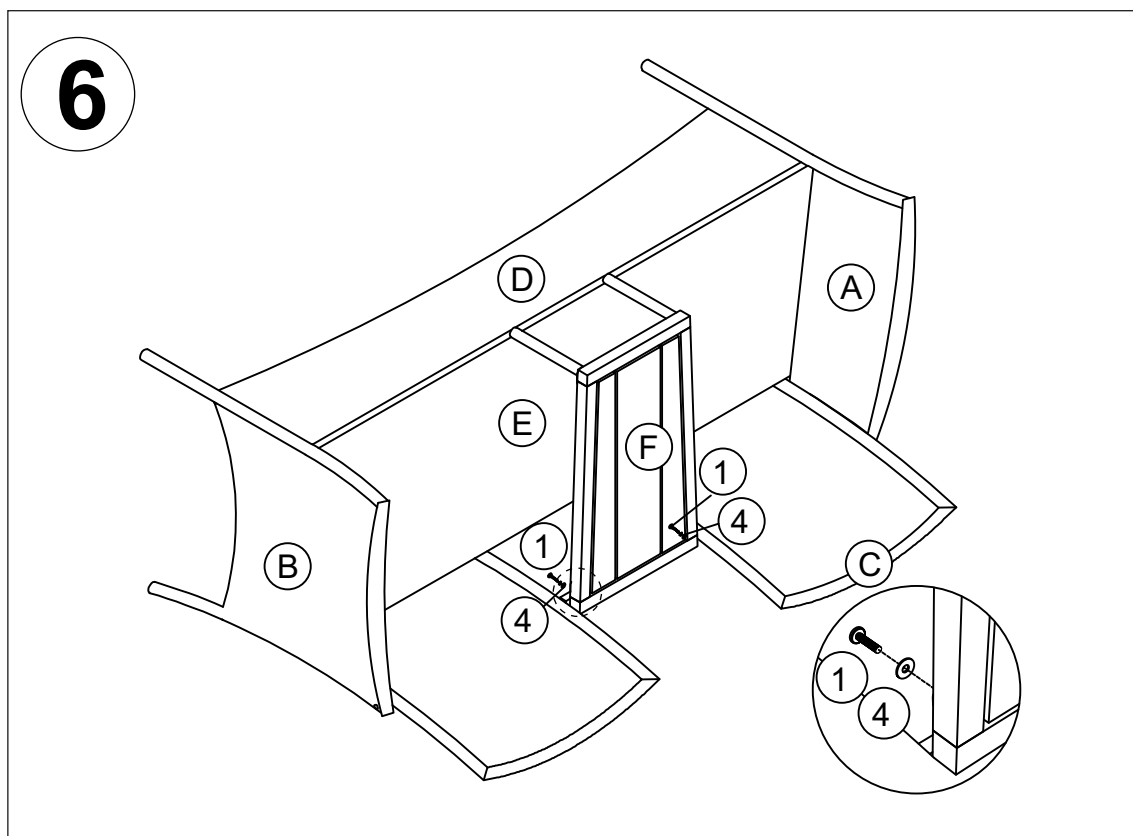
4. Locate Seat base (E) to Left arm(A) and Right arm(B) by the pre-drilled threads.
Use Allen Key (5) to fasten Bolts (2) with Washers (4). Each arm should have 1 bolt fastened.
Only fixed bolts 50%(Photo 4).



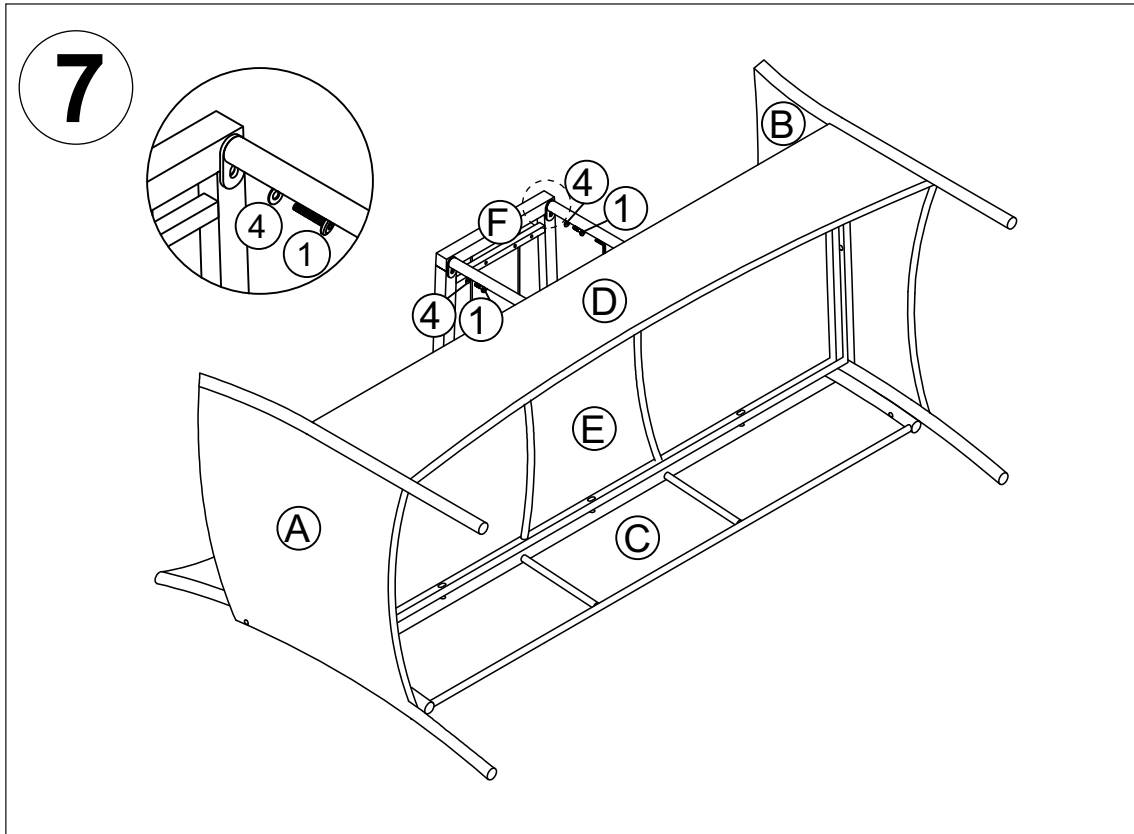
5. Locate Side panel (D) to the Right arm (A), Left arm(B) and Seat base (E) by the pre-drilled threads. Use Allen Key (5) to fasten Bolts (2) with Washers (4). Should have 8 bolts fastened. Only fixed bolts 50% (Photo 5).



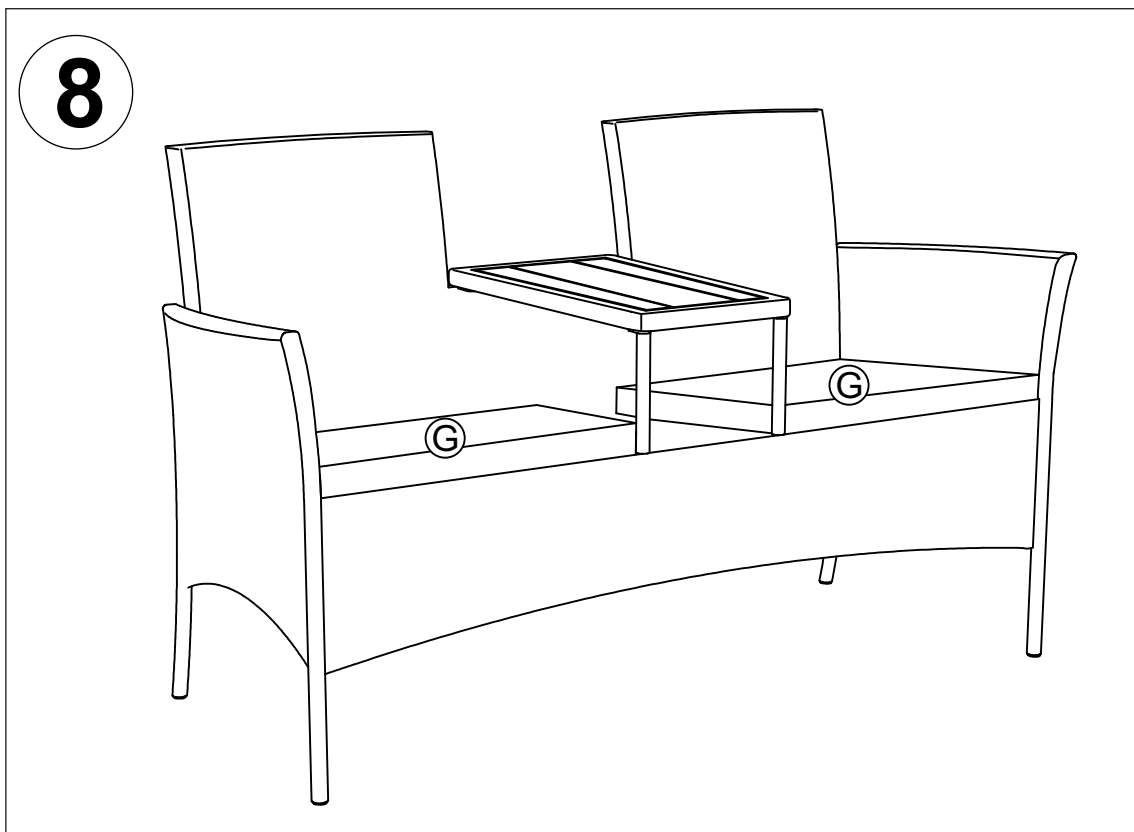
6. Locate Polywood top table (F) to the Seat base (E) and Backrest (C) by the pre-drilled threads. Use Allen Key (5) to fasten Bolts (1) with Washers (4). Should have 2 bolts fastened. Only fixed bolts 50% (Photo 6).



7. Locate Polywood top table (F) to the Seat base(E) by the pre-drilled threads.
Use Allen Key (5) to fasten Bolts (1) with Washers (4). Should have 2 bolts fastened.
Only fixed bolts 50% (Photo 7).



8. Fixed all bolts 100% (Photo 8).
Place 2 cushions (G) on the top bench (Photo 8).



Till now you have finished the whole assembly and enjoy your furniture!