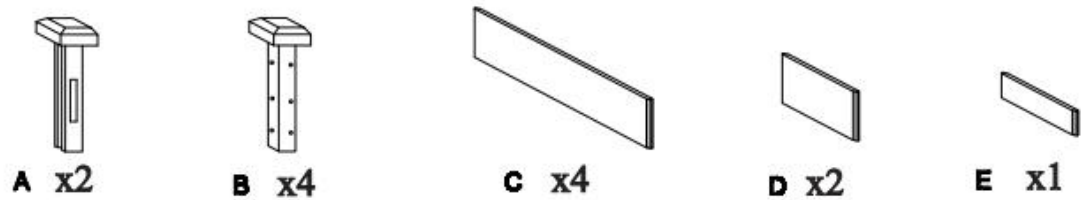


USERS' MANUAL

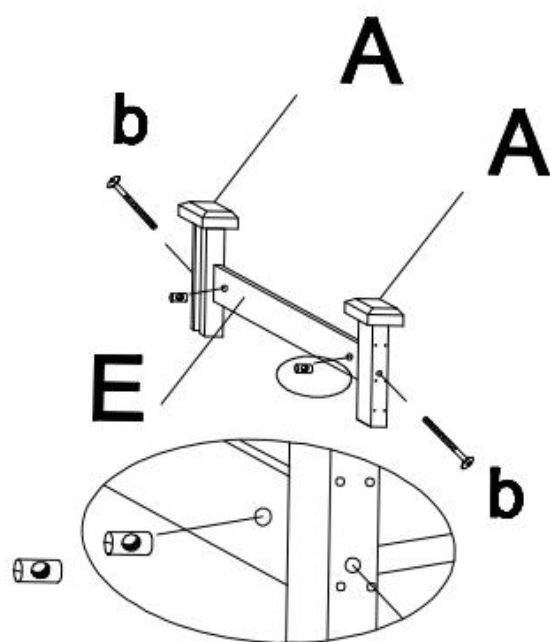
Wooden Planter



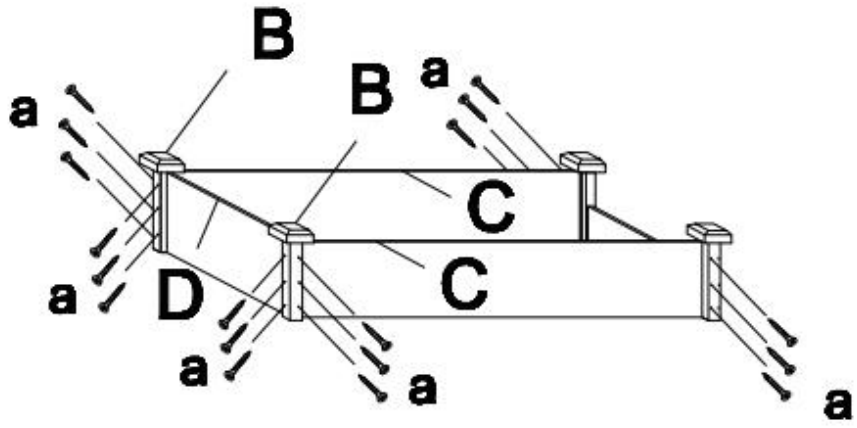
a  M4.2x40mm **x36**

b  M6x90mm **x2**

1



②



③

