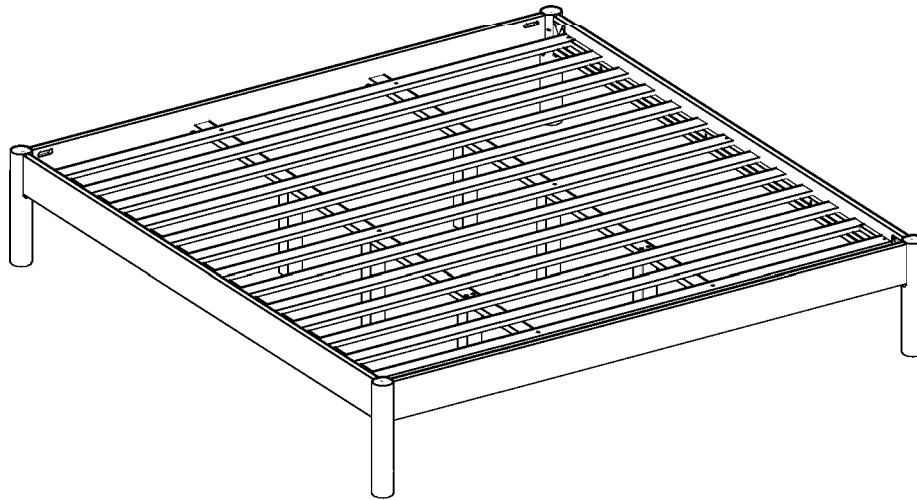


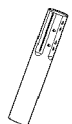



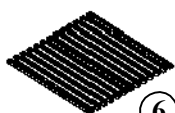






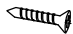
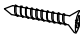
ASSEMBLY INSTRUCTIONS



COMPONENT

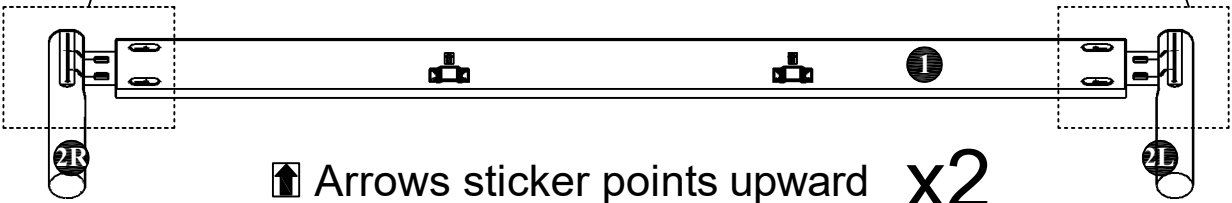
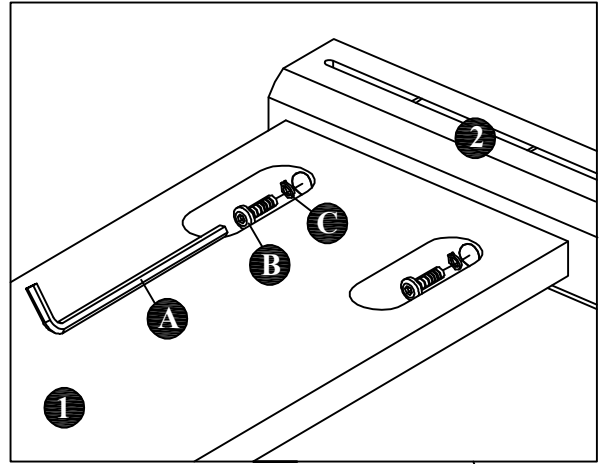
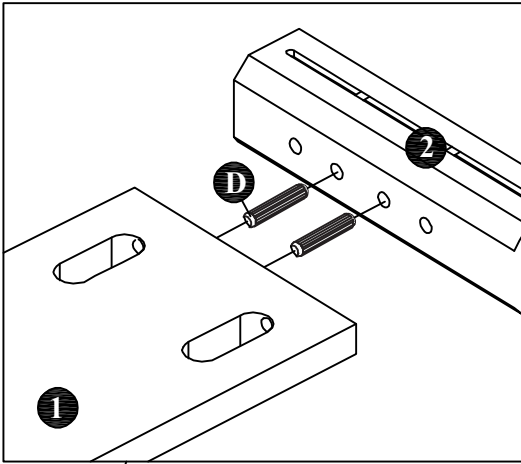
Headboard/ Footboard - 2 pcs.  ①	Leg (Left) - 2 pcs.  ②L	Leg (Right) - 2 pcs.  ②R	Side Rail - 2 pcs.  ③	Center Rail - 2 pcs.  ④	Center Leg - 6 pcs.  ⑤	Slats - 13 pcs.(1set)  ⑥
--	--	---	--	--	---	---

HARDWARE

Allen Key M4 (Long Ball Head) - 1 pc.  A	JCBC Bolt M6 x 40mm - 20 pcs.  B	M6 Spring Washer - 8 pcs.  C	Wood Dowel M8 x 30mm - 8 pcs.  D	Wood Screw M3.5 x 16mm - 4 pcs.  E	Wood Screw M4 x 25mm - 12 pcs.  F
--	---	---	---	---	--

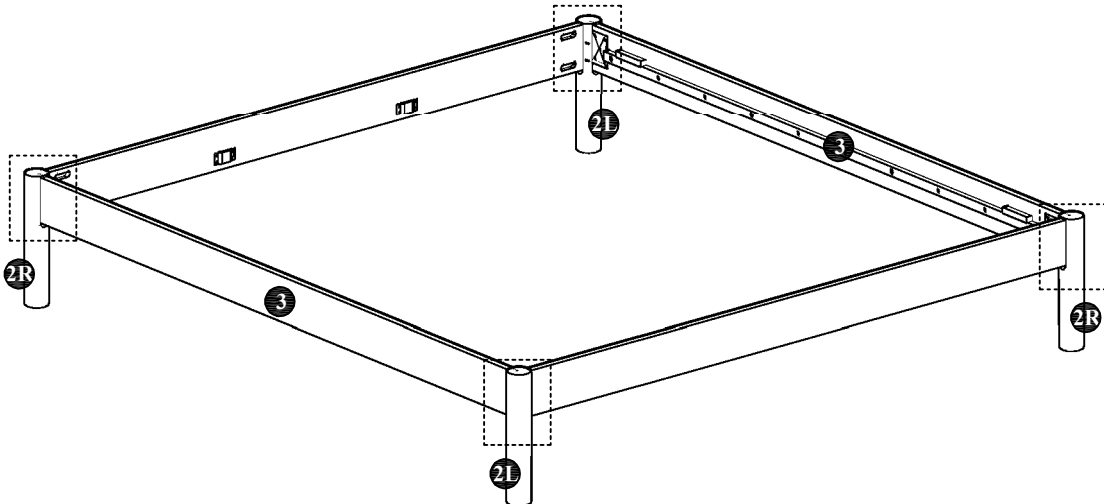
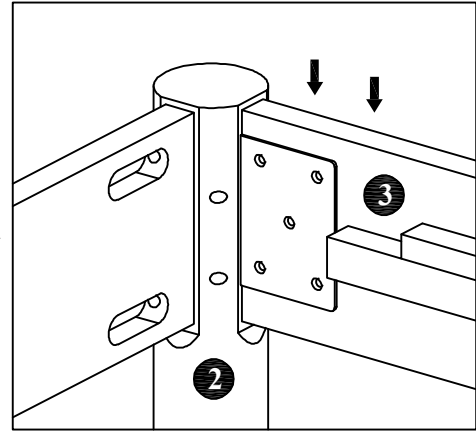
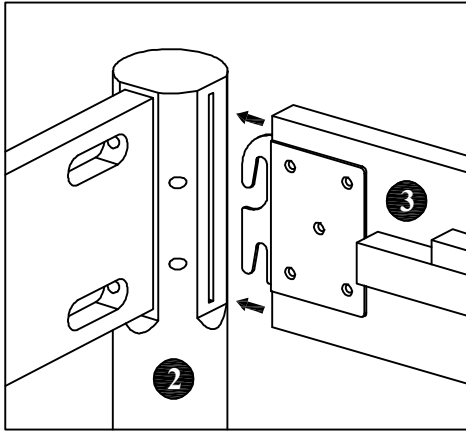
ASSEMBLY INSTRUCTIONS

STEP 1 :



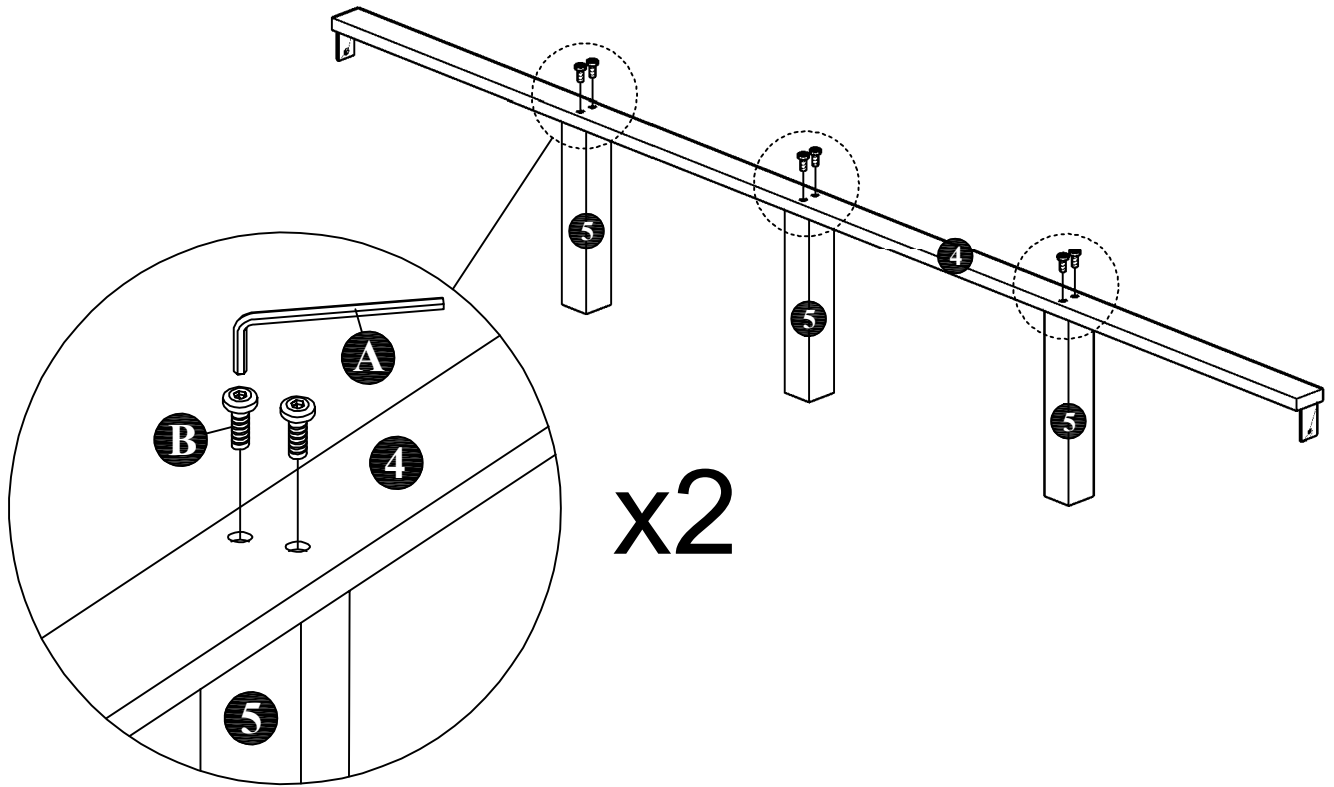
↑ Arrows sticker points upward **x2**

STEP 2 :

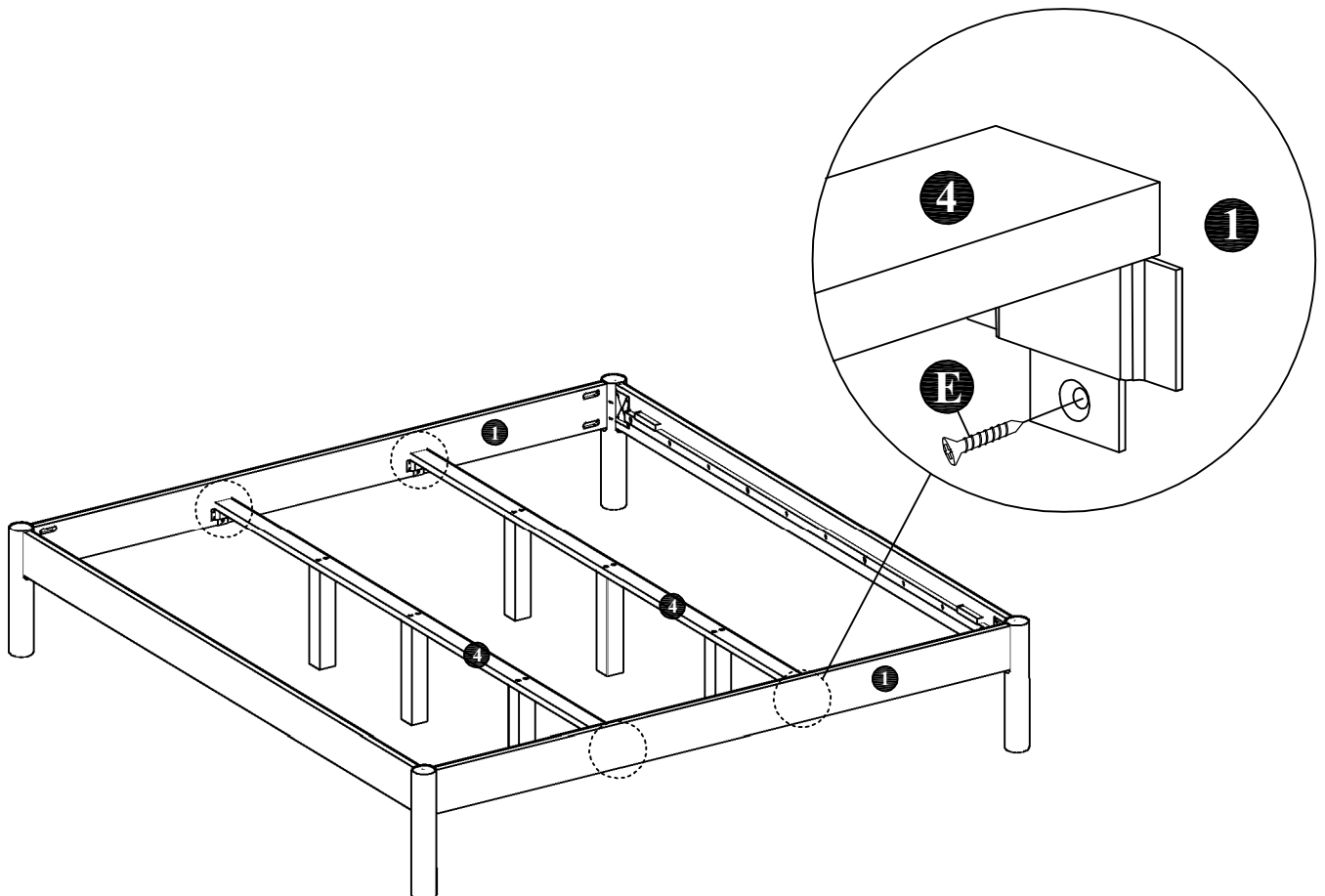


ASSEMBLY INSTRUCTIONS

STEP 3 :

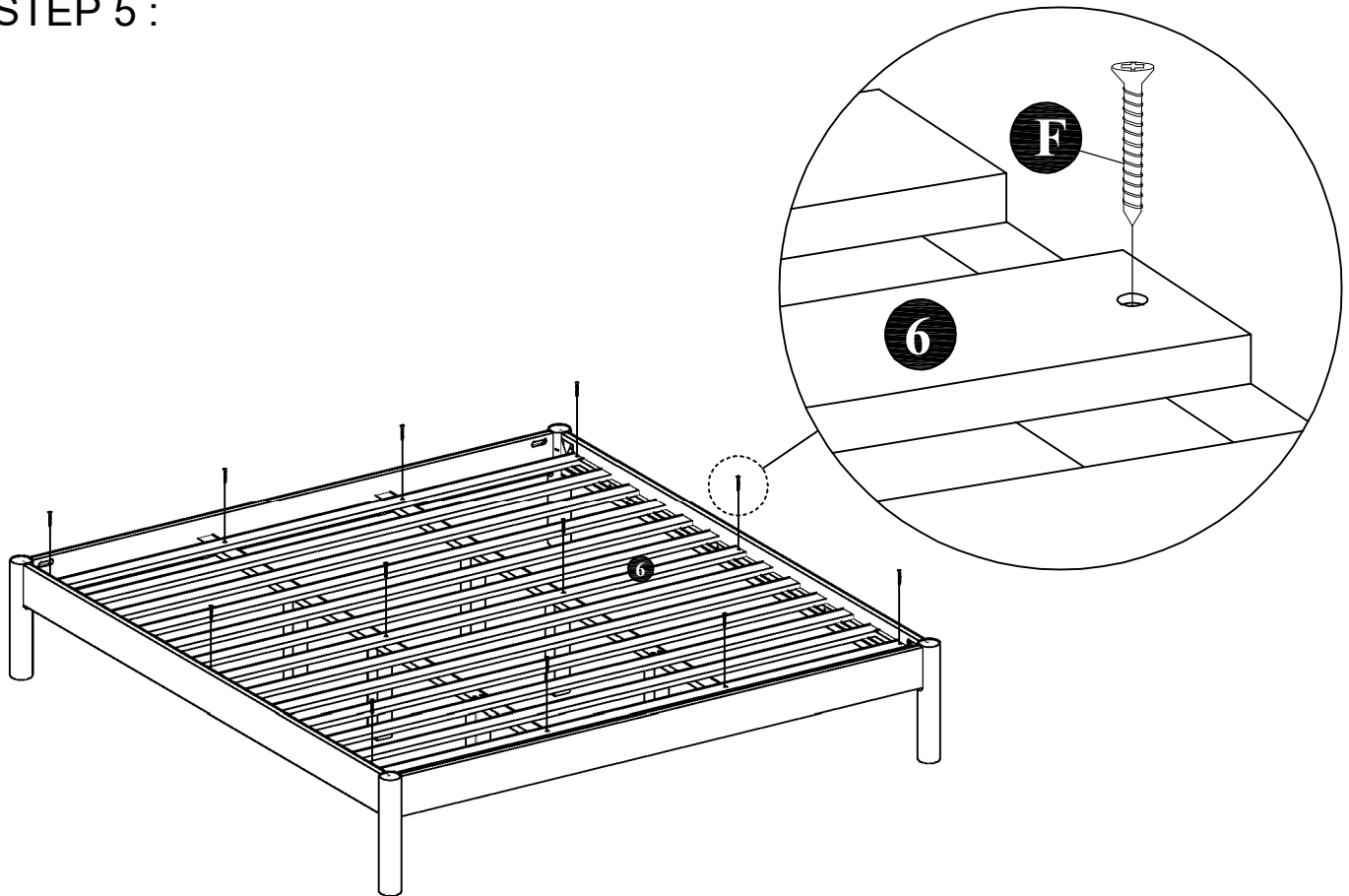


STEP 4 :



ASSEMBLY INSTRUCTIONS

STEP 5 :



COMPLETE VIEW

IMPORTANT

Please lift up the bed to move
with 2 or more people.

DO NOT DRAG THE BED!

