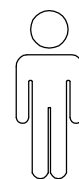
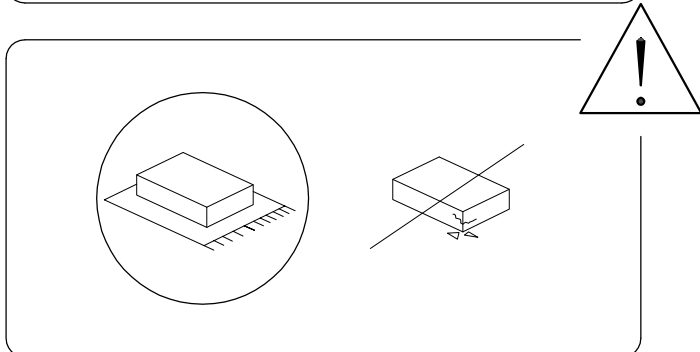
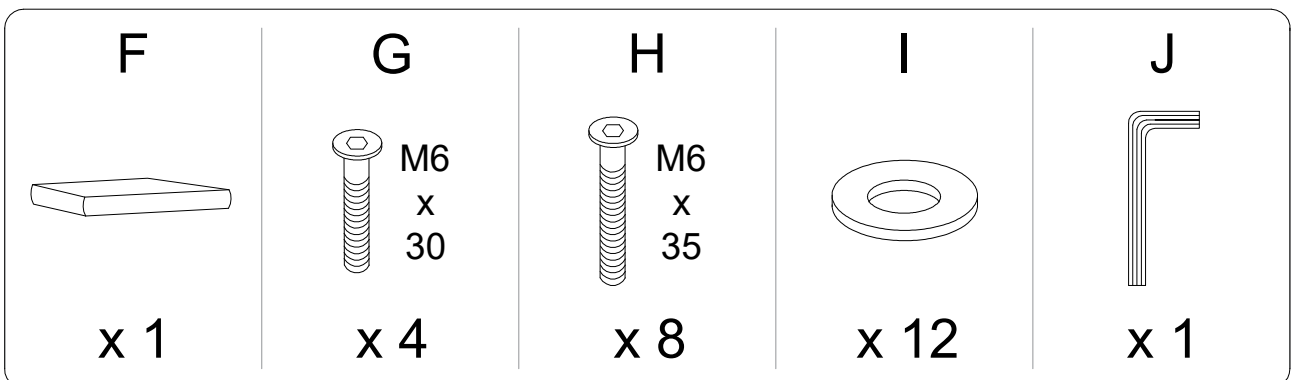
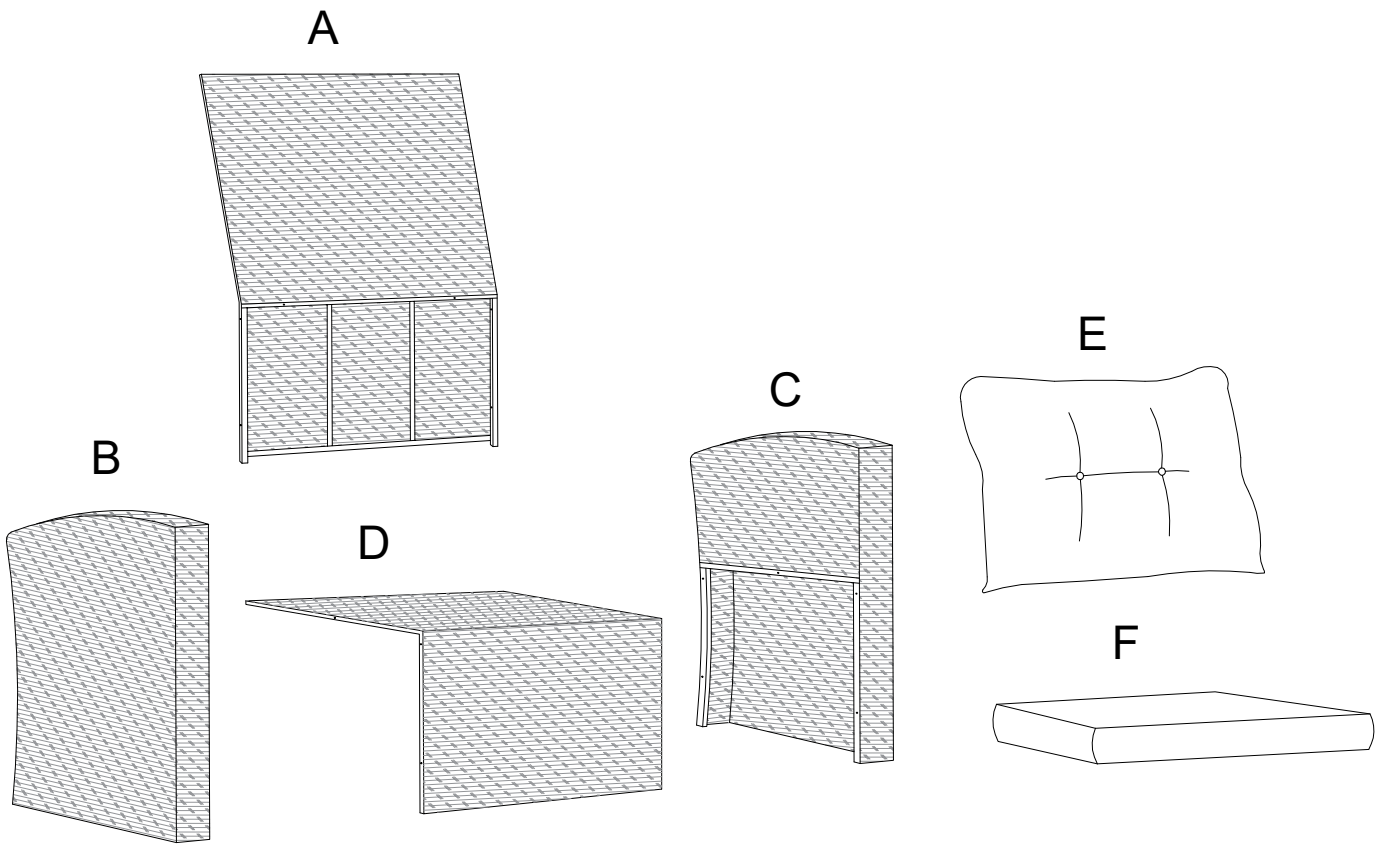
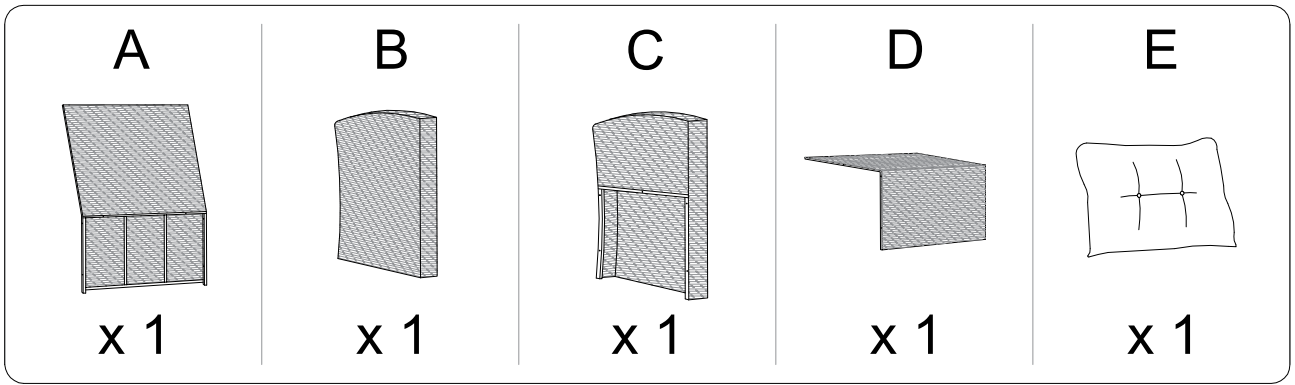


60'

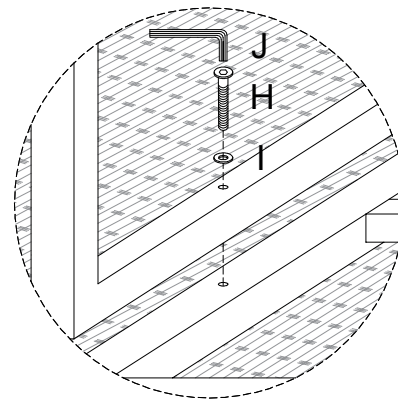
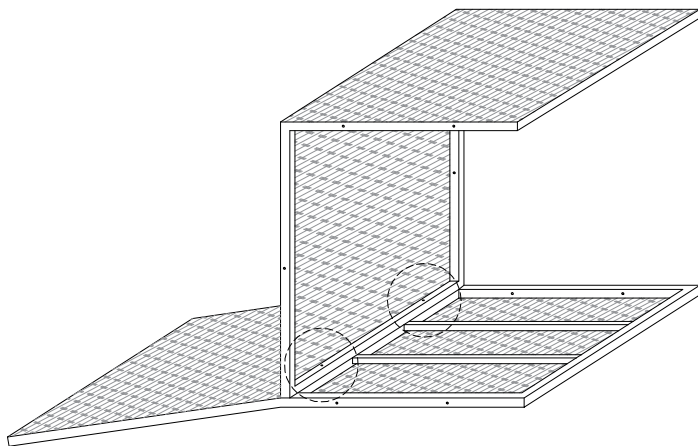
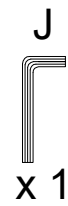
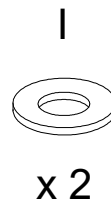
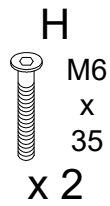
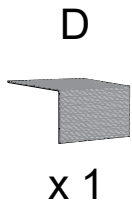
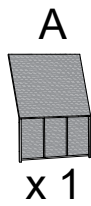


2

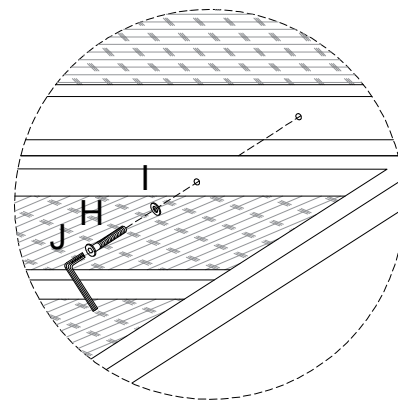
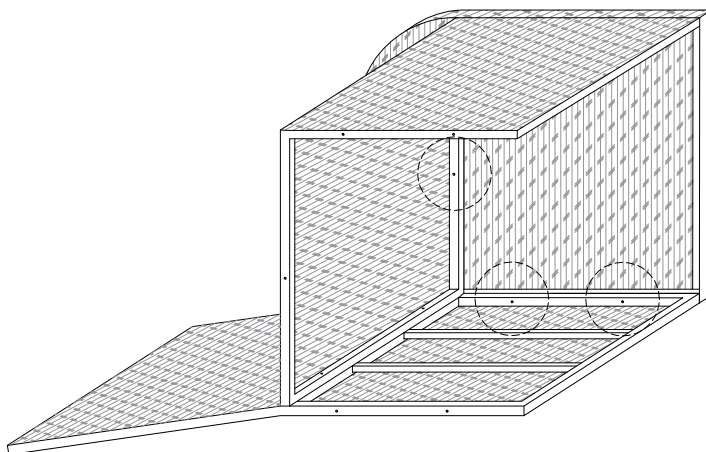
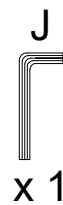
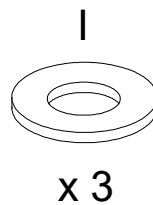
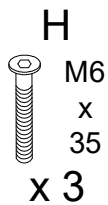
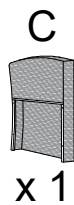
A



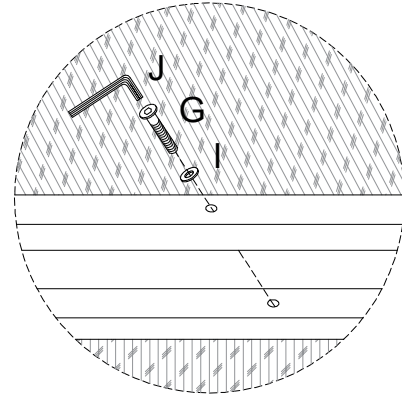
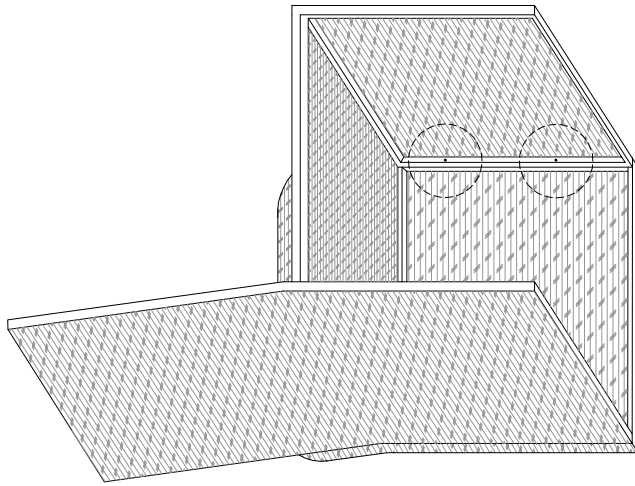
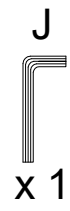
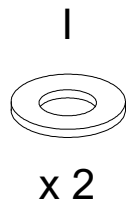
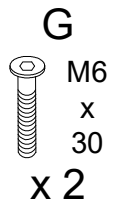
1



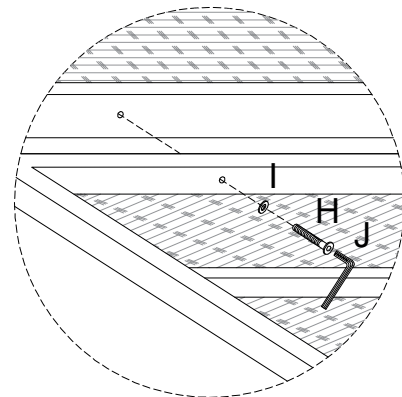
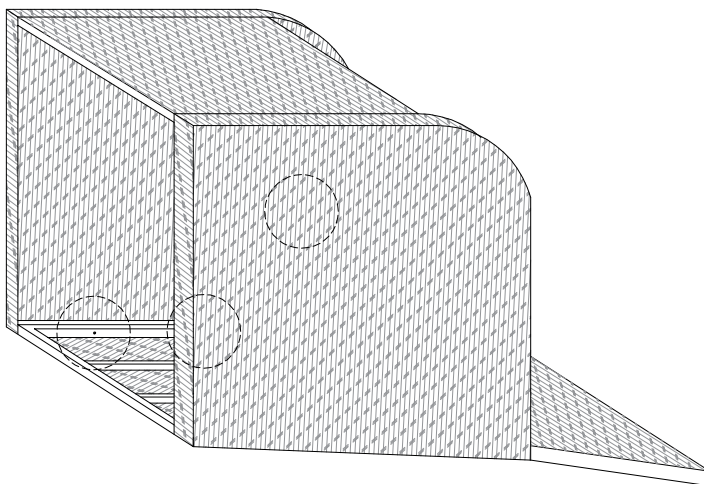
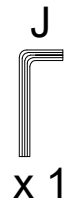
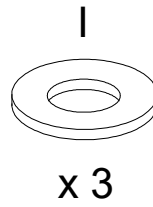
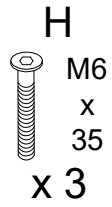
2



3



4

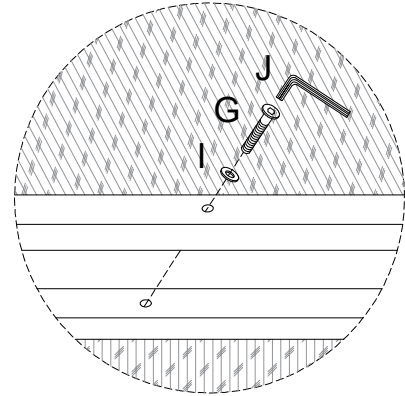
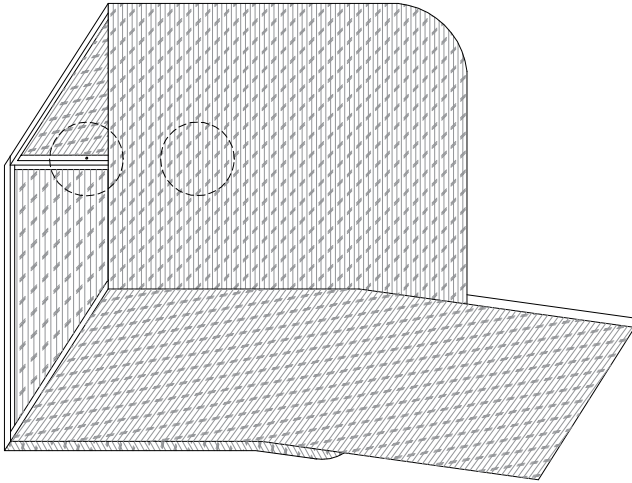


5

G
M6
x
30
x 2

I
x 2

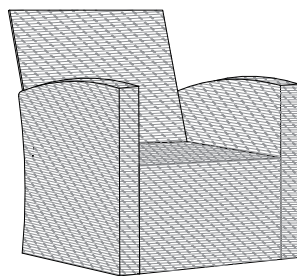
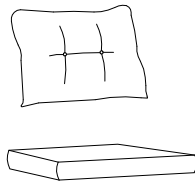
J
x 1



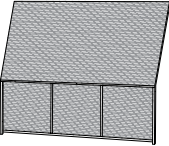
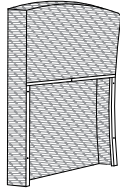
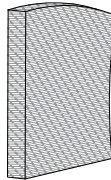

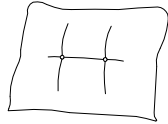
6

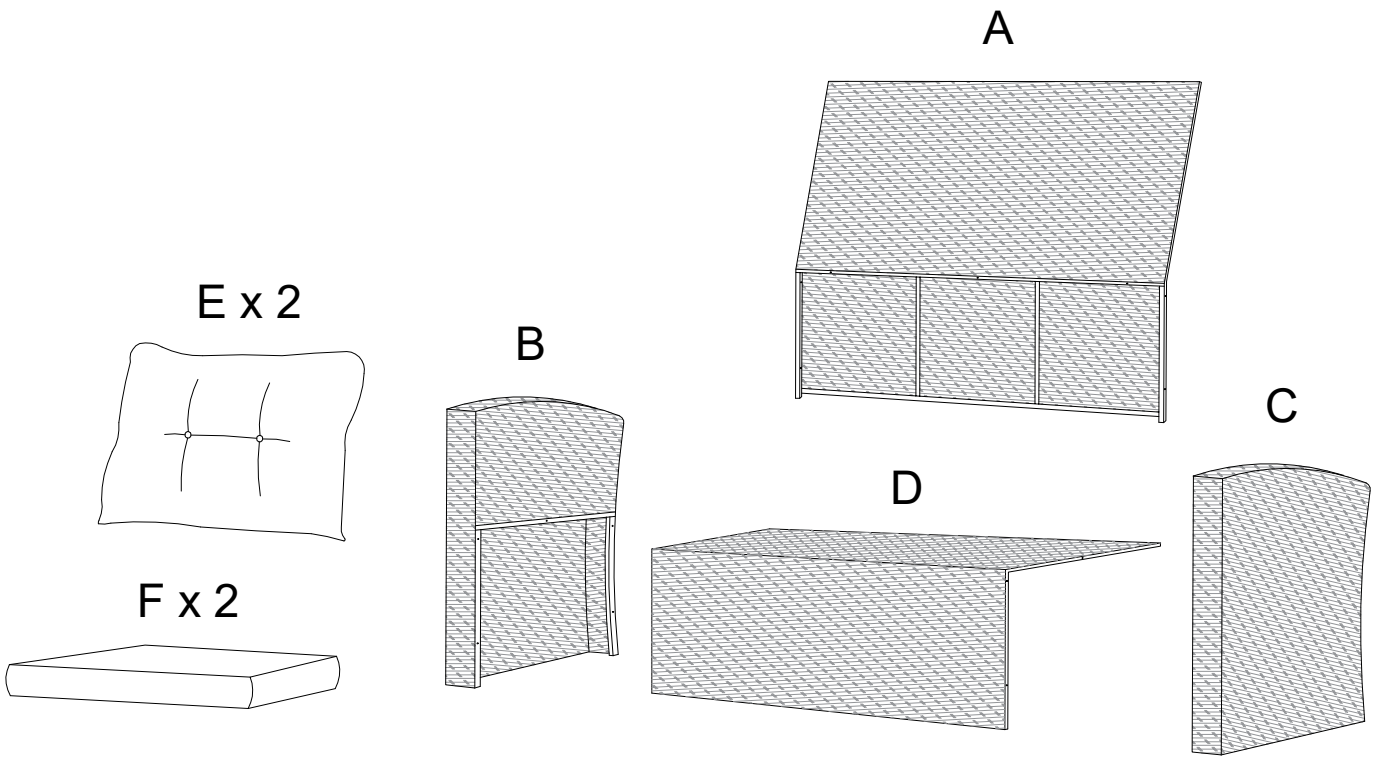
E
x 1


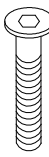
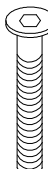
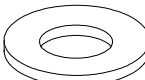
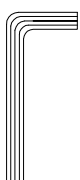
F
x 1



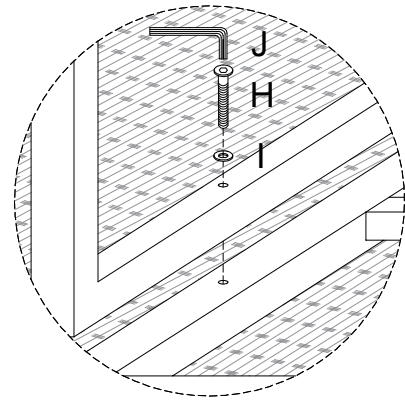
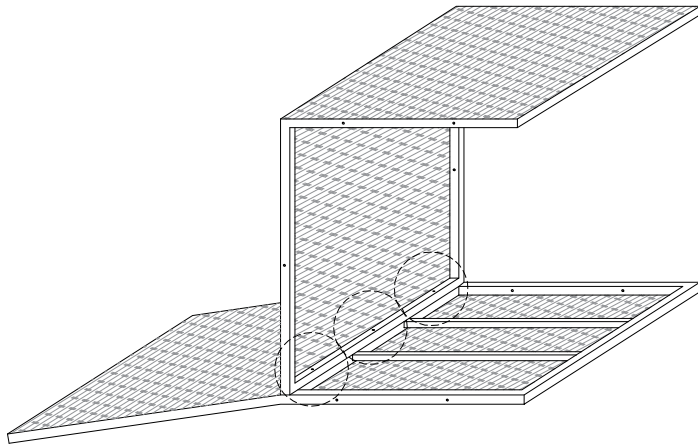
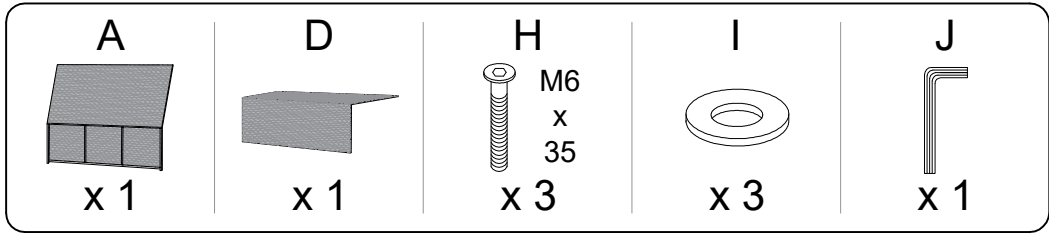
B

<p>A</p>  <p>x 1</p>	<p>B</p>  <p>x 1</p>	<p>C</p>  <p>x 1</p>	<p>D</p>  <p>x 1</p>	<p>E</p>  <p>x 2</p>
-------------------------------------------------------------------------------------------------------	-------------------------------------------------------------------------------------------------------	-------------------------------------------------------------------------------------------------------	--------------------------------------------------------------------------------------------------------	---------------------------------------------------------------------------------------------------------

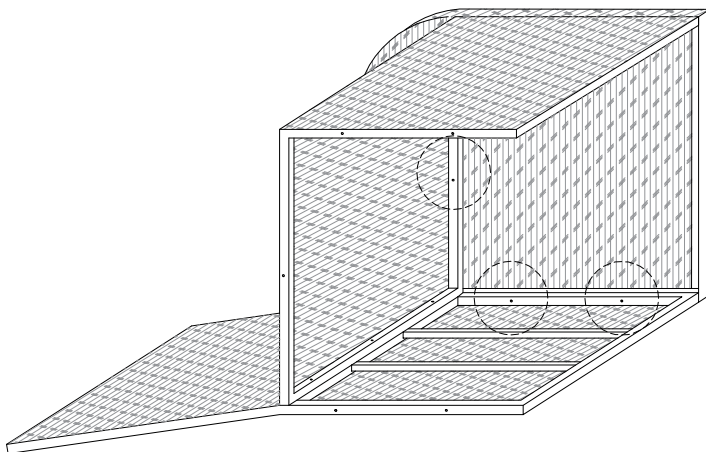
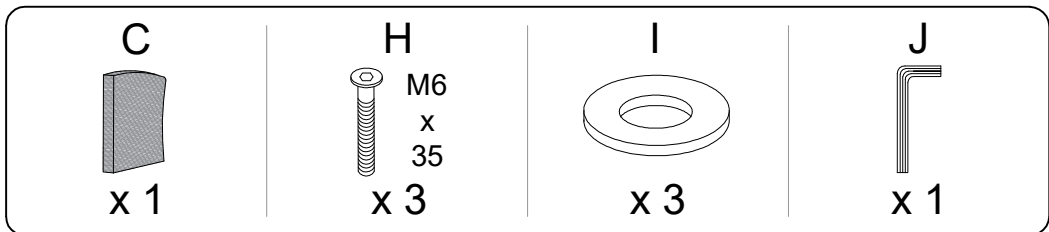


<p>F</p>  <p>x 2</p>	<p>G</p>  <p>M6 x 30</p> <p>x 4</p>	<p>H</p>  <p>M6 x 35</p> <p>x 9</p>	<p>I</p>  <p>x 13</p>	<p>J</p>  <p>x 1</p>
---------------------------------------------------------------------------------------------------------	--------------------------------------------------------------------------------------------------------------------------------	--------------------------------------------------------------------------------------------------------------------------------	-----------------------------------------------------------------------------------------------------------	-----------------------------------------------------------------------------------------------------------

1



2

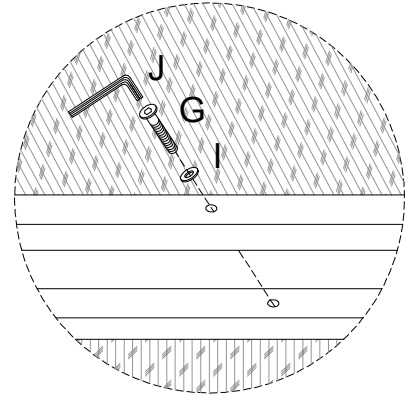
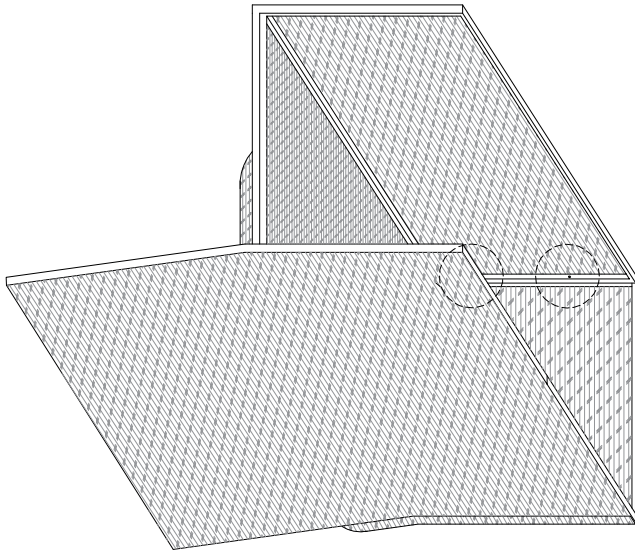


3

G
M6
x
30
x 2

I
x 2

J
x 1



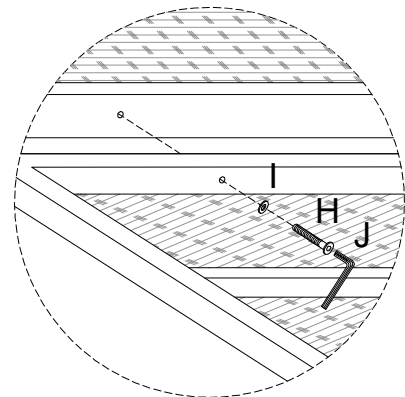
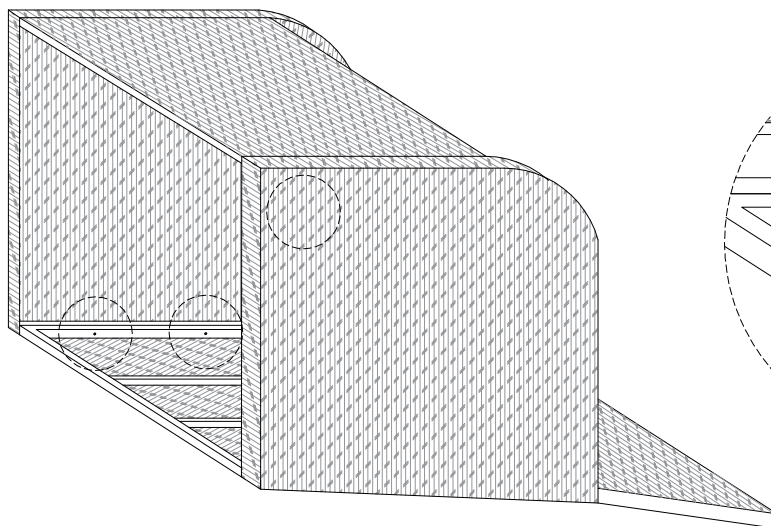
4

B
x 1

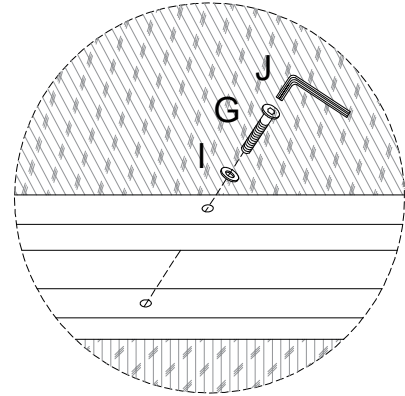
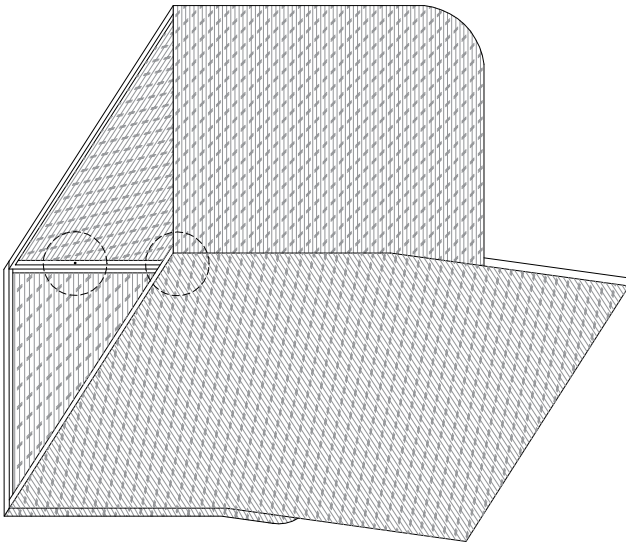
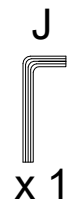
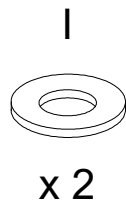
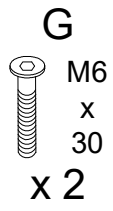
H
M6
x
35
x 3

I
x 3

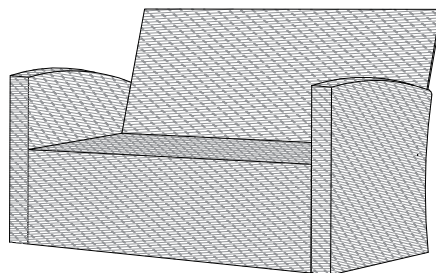
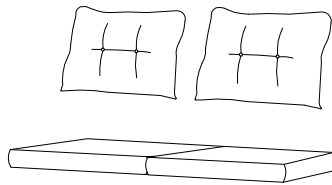
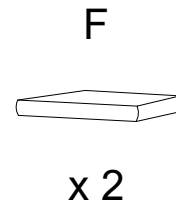
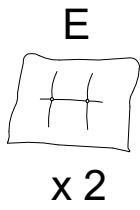
J
x 1



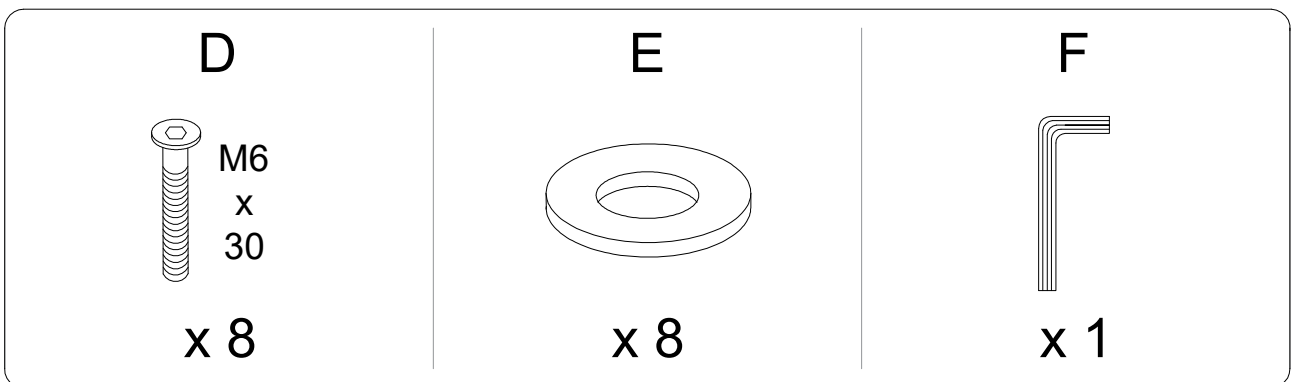
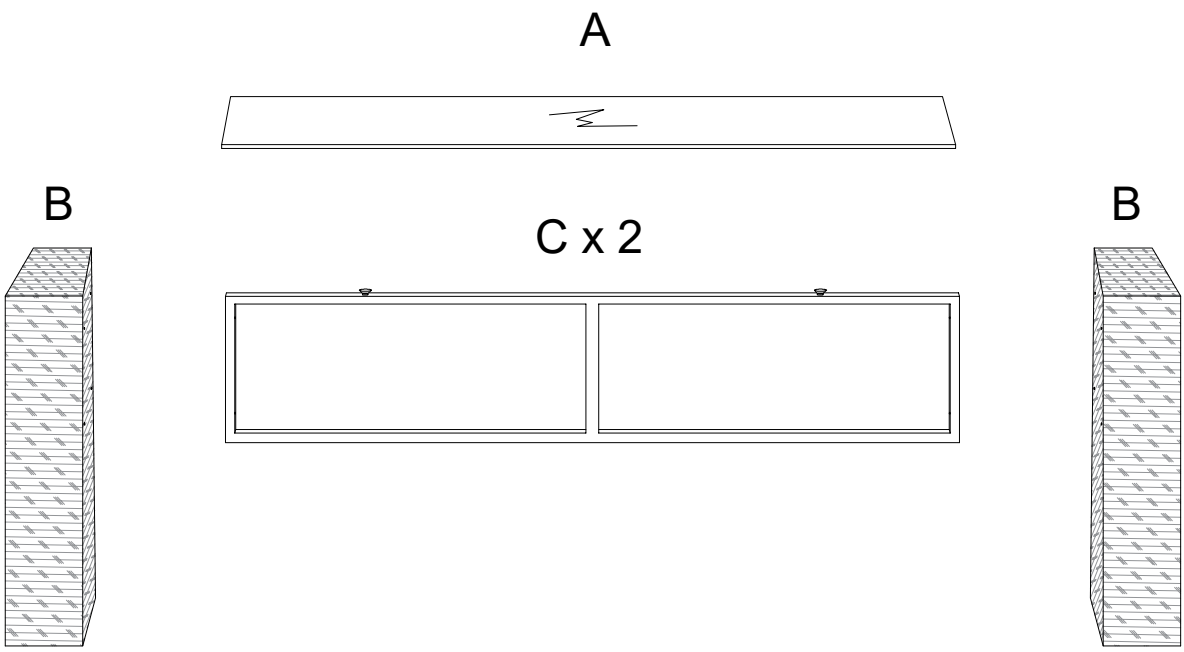
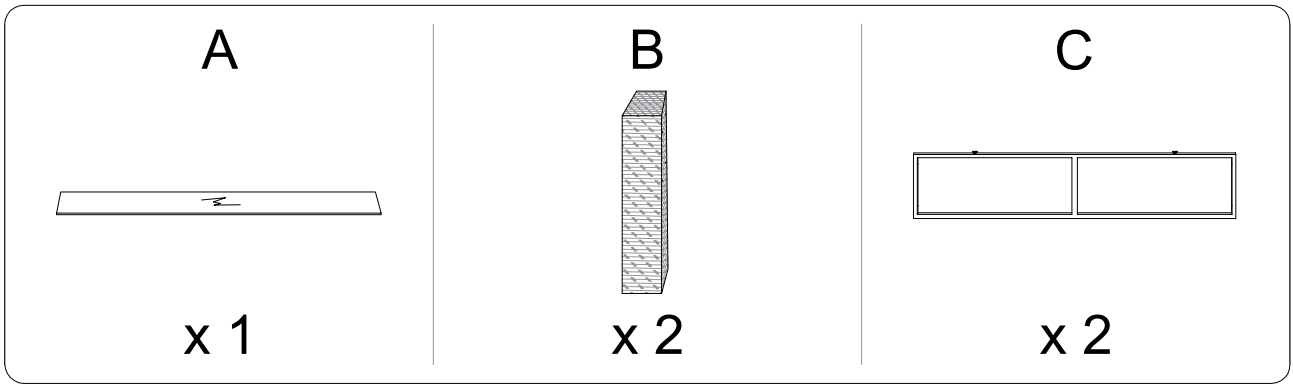
5



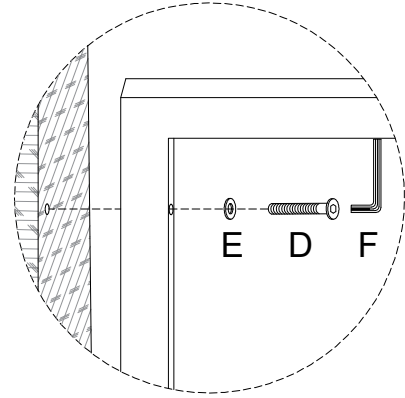
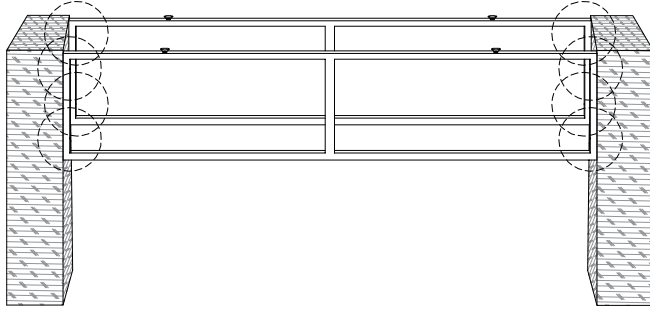
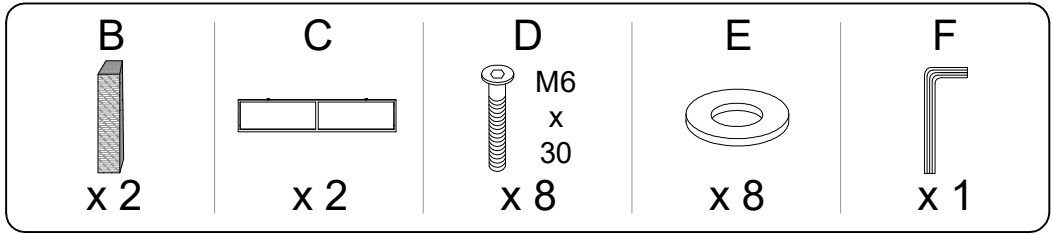
6



C



1



2

