



MANHATTAN
COMFORT

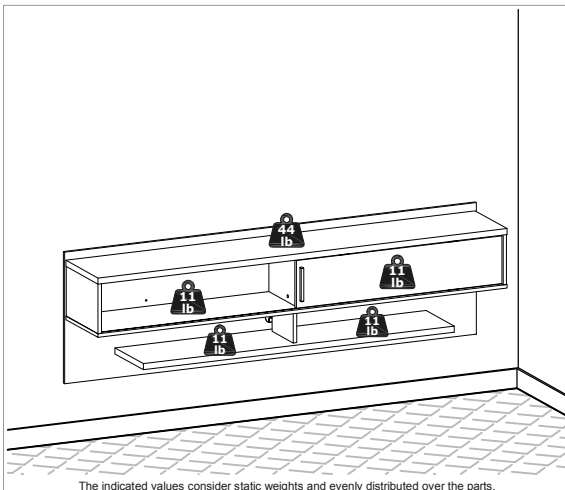
888-230-2225

help@manhattancomfort.com



Astor Floating Panel 70.86

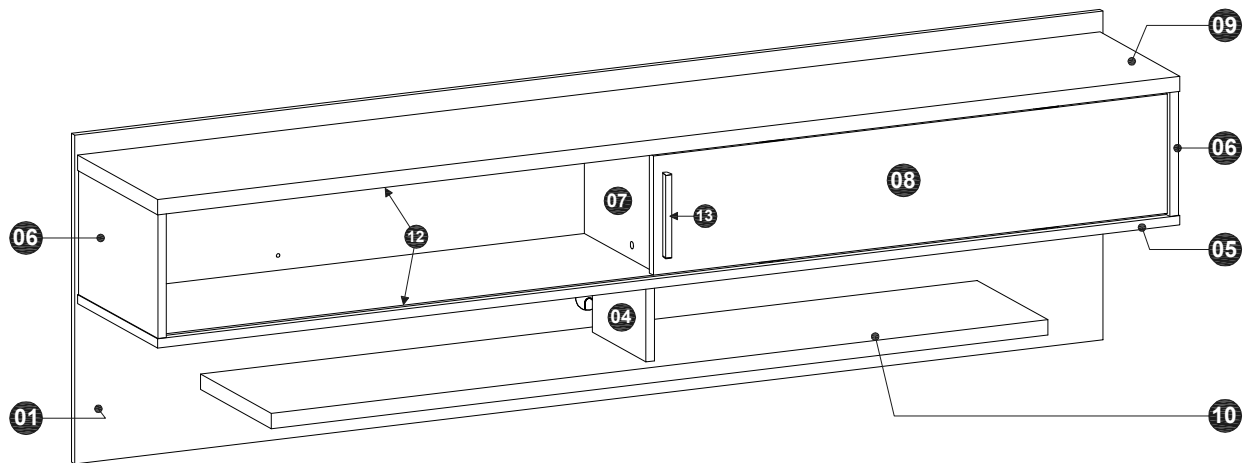
Model # 222BMC1, 222BMC12, 222BMC2, 222BMC21,
222BMC6, 222BMC8, 222BMC9, 222BMC94



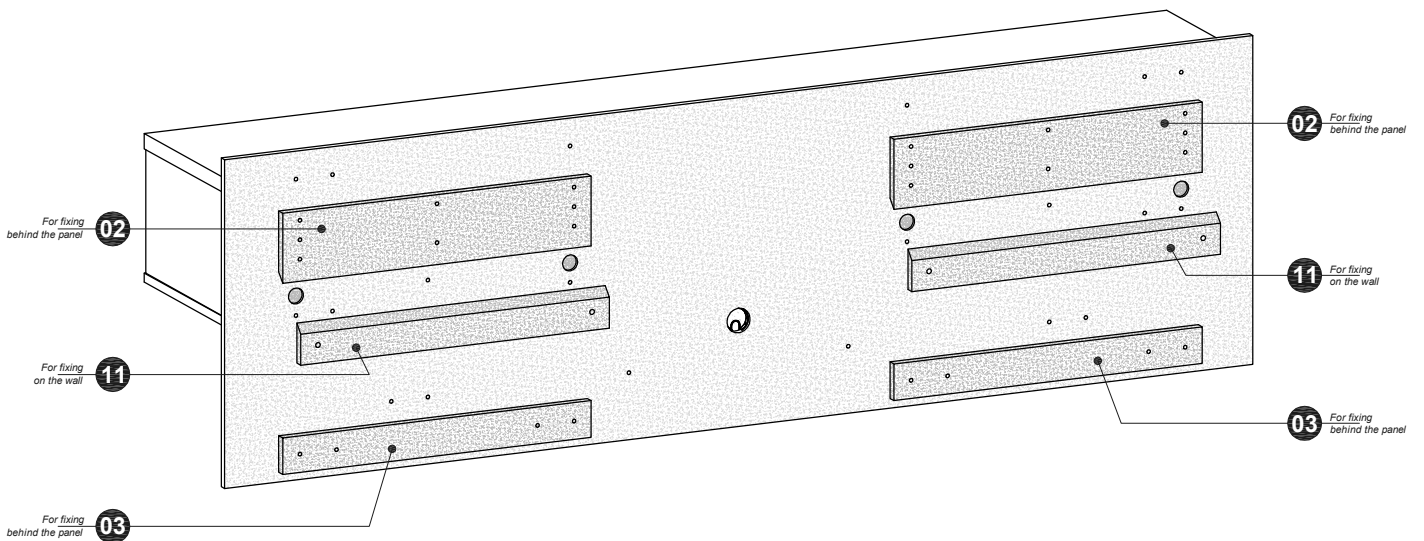
The indicated values consider static weights and evenly distributed over the parts.



INCLUDED IN THE PACKAGE



REAR VIEW



n.° ID	Parts Identification (Description)	Quantity
01	Panel	1
02	Upper Rear Bar	2
03	Lower Rear Bar	2
04	Lower Support	1
05	Base of the niche	1
06	Side Panel of the niche	2
07	Partition of the niche	1
08	Sliding Door	1
09	Middle Shelf	1
10	Lower Shelf	1
11	Bar for wall	2
12	Plastic rail profile 1755mm	2
13	Handle 128mm	1

TOOLS NEEDED

Simple and phillips screwdriver.



Simple hammer.



Level indicator.



Drilling machine and electric screwdriver with drill bit Ø1/2 inch and phillips tips.



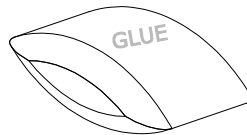
! **IMPORTANT!** Two people are needed to assemble this product.

INCLUDED IN THE PACKAGE

A 8x



B 2x



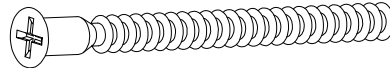
C 20x



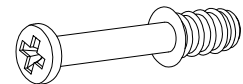
D 20x



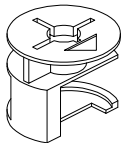
E 14x



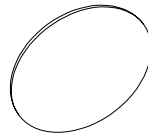
F 6x



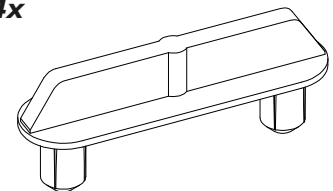
G 6x



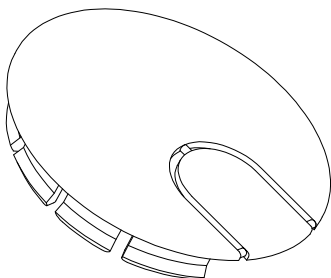
H 6x



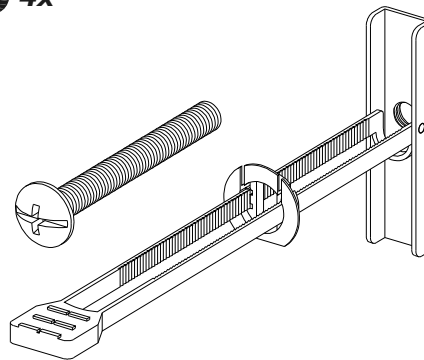
I 4x



J 1x

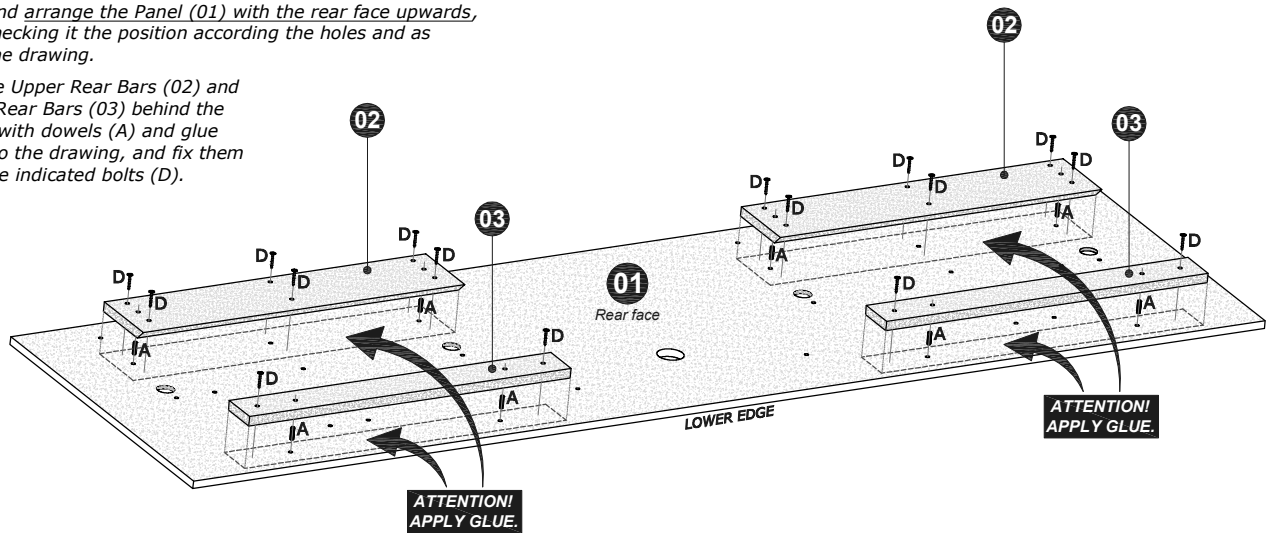


K 4x



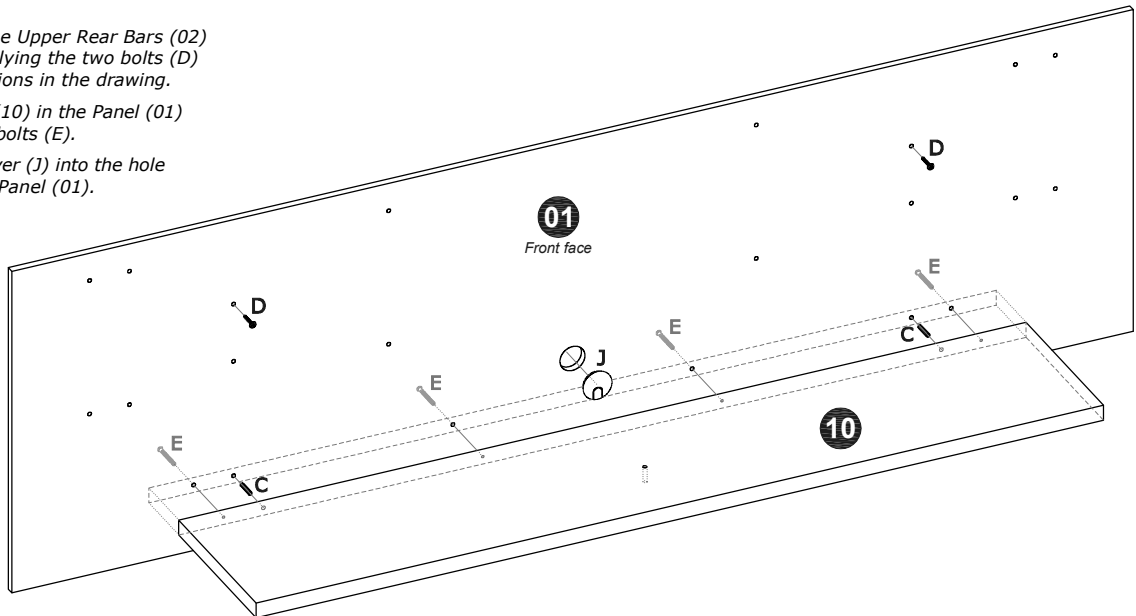
STEP 1

- Line the floor with the foam mantle of the packing to protect the parts and arrange the Panel (01) with the rear face upwards, correctly checking its position according to the holes and as shown in the drawing.
- Position the Upper Rear Bars (02) and the Lower Rear Bars (03) behind the Panel (01) with dowels (A) and glue according to the drawing, and fix them applying the indicated bolts (D).



STEP 2

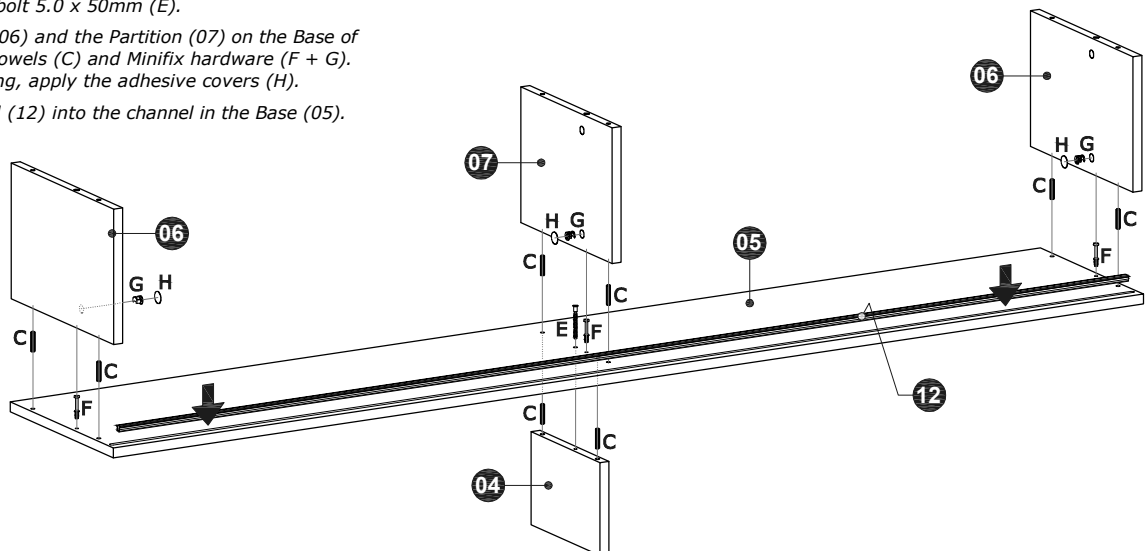
- Finish the fixing of the Upper Rear Bars (02) in the Panel (01) applying the two bolts (D) in the indicated positions in the drawing.
- Fix the Lower Shelf (10) in the Panel (01) with dowels (C) and bolts (E).
- Insert the plastic cover (J) into the hole for pass wires in the Panel (01).



STEP 3

Preparing/Fixing the parts (04), (05), (06) and (07):

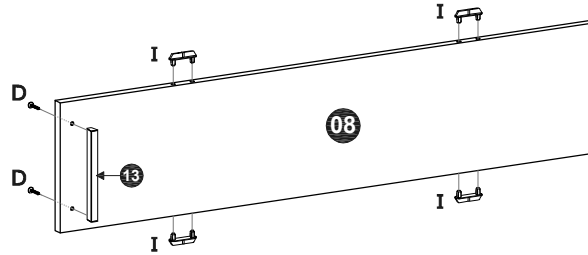
- Fix the Lower Support (04) under the Base of the niche (05) with dowels (C) and bolt 5.0 x 50mm (E).
- Fix the Side Panels (06) and the Partition (07) on the Base of the niche (05) with dowels (C) and Minifix hardware (F + G). At the end of the fixing, apply the adhesive covers (H).
- Insert the plastic rail (12) into the channel in the Base (05).



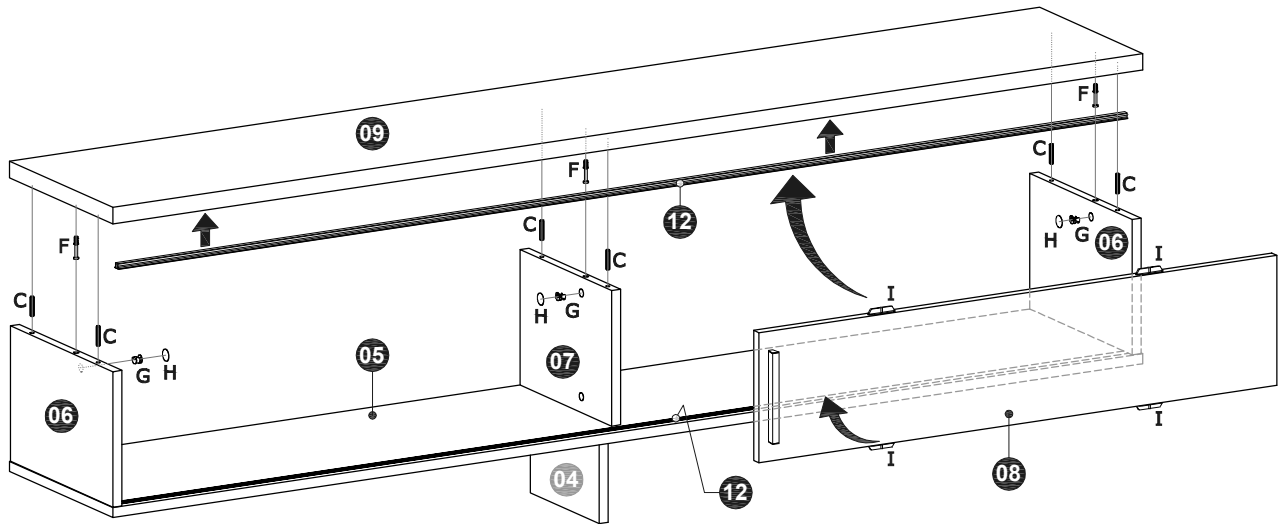
STEP 4

Preparing the Sliding Door (08):

- Apply the plastic guides (I).
- Choose the outer face of the Door (08) and fix the handle (13) with bolts 3.5 x 25mm (D).



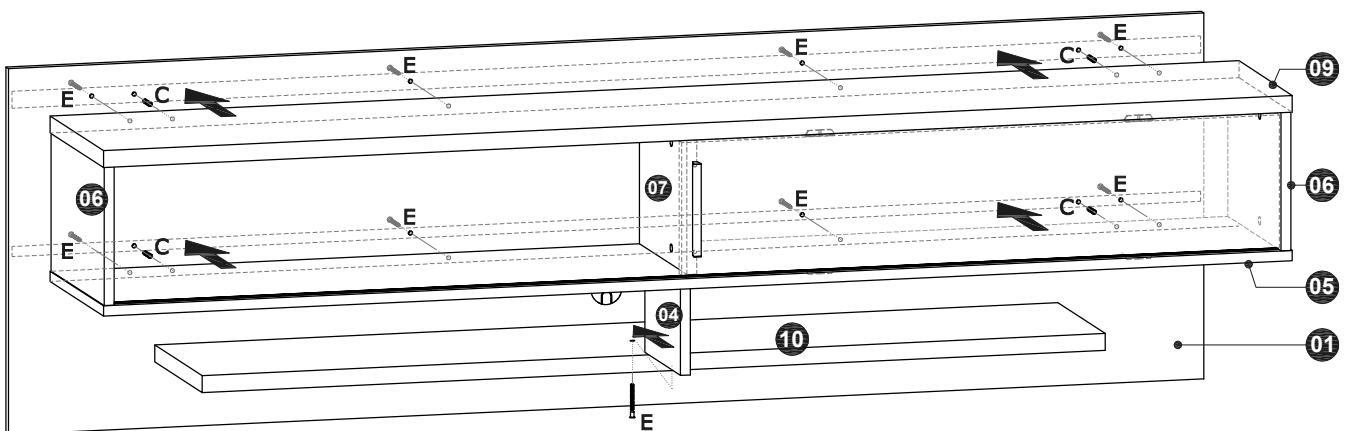
STEP 5



Installing the Sliding Door (08) and fixing the Middle Shelf (09):

- Insert the plastic rail (12) into the channel under the Middle Shelf (09).
- Insert the dowels (C) in the Side Panels (06) and in the Partition (07) and the Minifix bolts (F) in the Middle Shelf (09). After that, fit the parts together.
- Install the Sliding Door (08) by attaching the guides (I) in the rails (12) in the Base (05) and in the Middle Shelf (09).
- Finish the fixing the Middle Shelf (09) to the Side Panels (06) and to the Partition (07) with dowels (C) and Minifix hardware (F + G), and finally apply the adhesive covers (H).

STEP 6



- Install the niche [parts (04), (05), (06), (07), (08) and (09)], assembled in the STEP 5, positioning it on the Lower Shelf (10) and fixing the Base (05) and the Middle Shelf (09) on the Panel (01) with dowels (C) and bolts 5.0 x 50mm (E).
- Apply bolt 5.0 x 50mm (E) to fix the Lower Shelf (10) in the Lower Support (04).

STEP 7

ATTENTION!

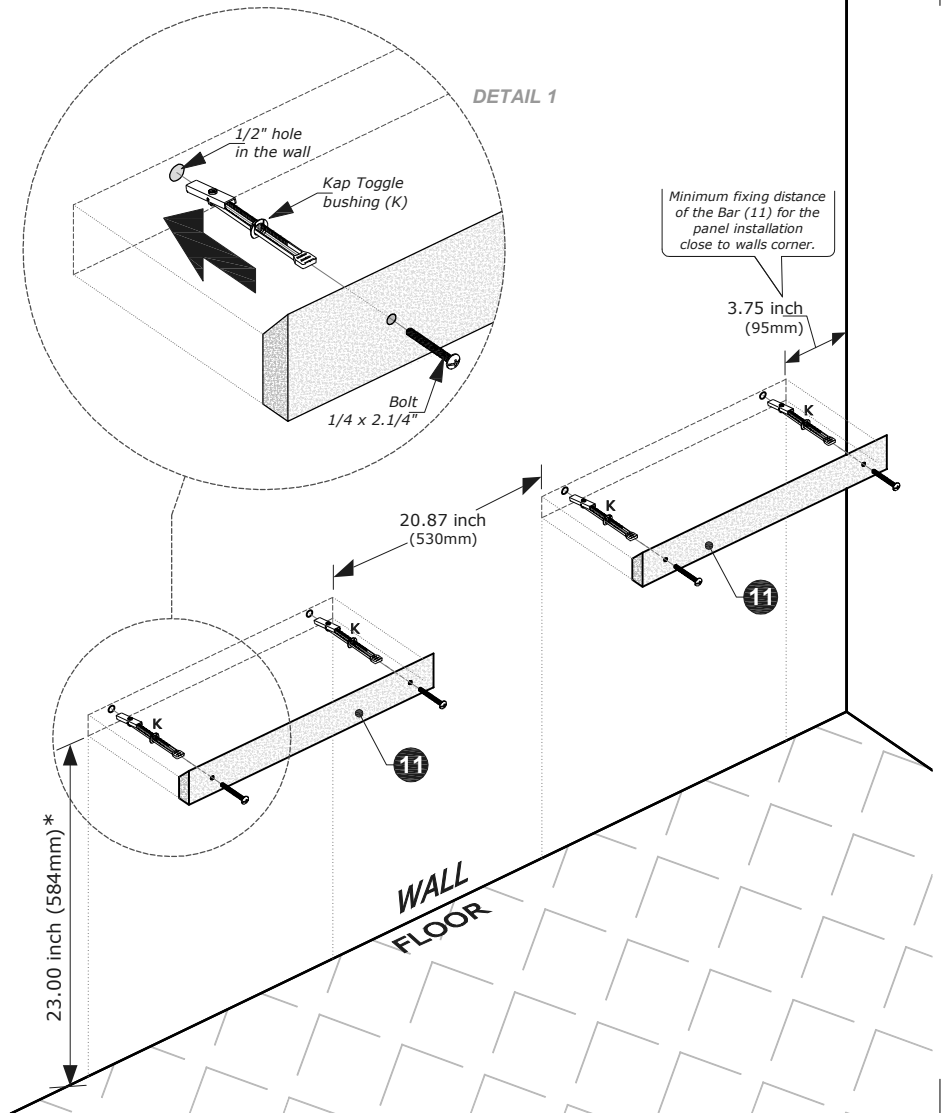
Before installing the panel, check the conditions of the wall for strength to properly support and anchor the weight of the suspended furniture, including equipment and objects that may be fixed to the panel.

The Kap Toggle bushings (K) supplied with the product are for hollow walls or dry wall type. Check the type of wall on which the installation will be made and, if necessary, look for more suitable bushings or fastening systems.

To mark the position and fix the Bars (11) on the wall, check the level of the parts.

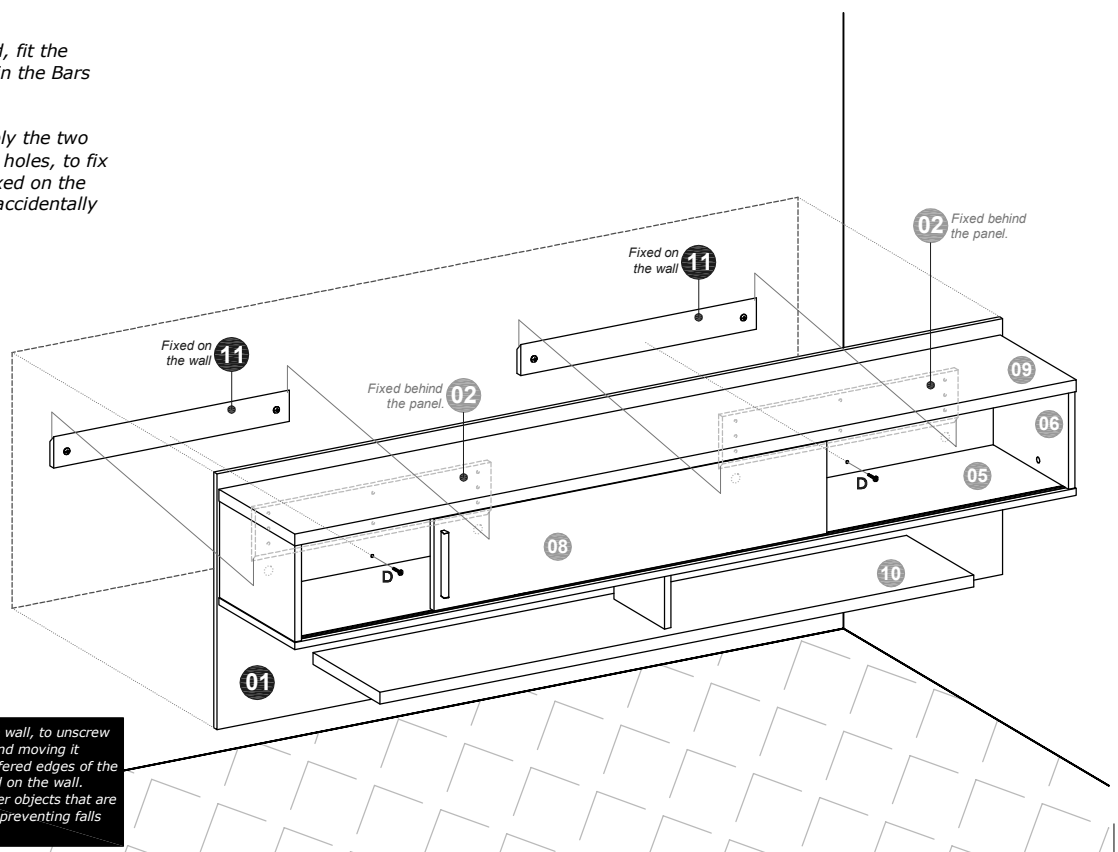
- Mark the position of the holes on the wall to fix the Bars (11), as shown in the drawing and using the bars themselves as reference.
- With drilling machine and drill bit $\varnothing 1/2$ inch, make the holes in the wall.
- Apply the bushings (K) into the holes in the wall and fix the Bars (11) with the bevelled edge facing up and to the wall, applying the bolts $1/4 \times 2.1/4$ " as indicated in the drawing.

*The height of 23.00 inches (584mm) indicated in the drawing, between the floor and the lower edge of the Bars (11) is only suggestive to install the Panel with its lower edge at approximately 12.00 inches (305mm) from the floor.



STEP 8

- With the Panel already assembled, fit the Bars (02) fixed behind the panel in the Bars (11) fixed on the wall.
- At the end of the installation, apply the two security bolts (D) in the indicated holes, to fix the Panel (01) in the Bars (11) fixed on the wall and prevent movement and accidentally dropping the panel.



IMPORTANT! To remove the panel from the wall, to unscrew the security bolts (D) applied as in STEP 08 and moving it upwards slightly so as to disengage the chamfered edges of the Bars (02) and (11) fixed behind the panel and on the wall. Before moving the panel, remove TV and other objects that are installed or ensure that the entire set is safe, preventing falls and damage to the panel and equipment.