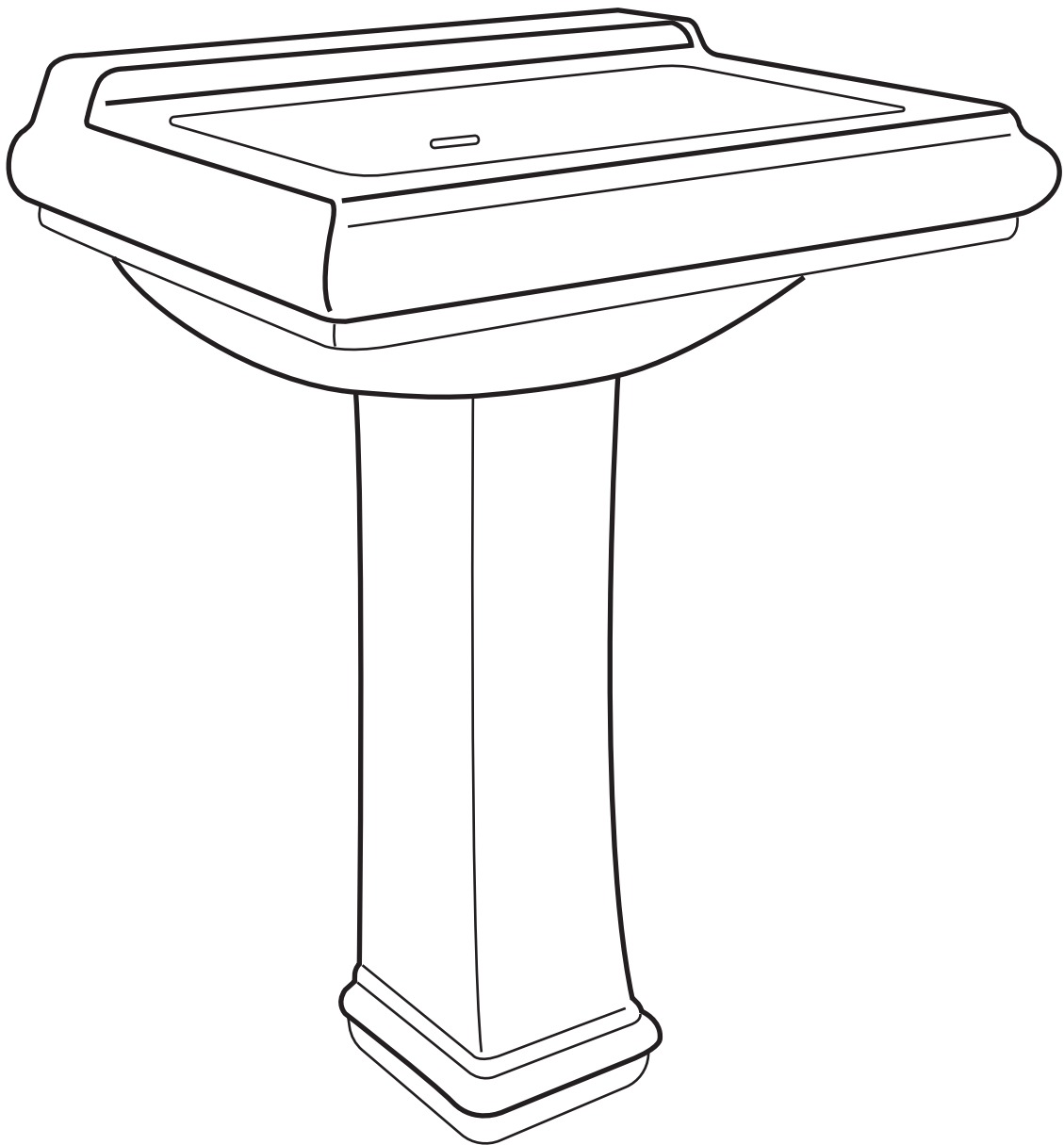


# INSTALLATION INSTRUCTIONS

---

## Pedestal Bathroom Sink



# INSTALLATION INSTRUCTIONS



## Installation:

- **Before installation, please make sure that the water source is closed and the water supply pipeline is reserved.**
- **Please confirm that the installation wall is a load-bearing wall. After completing the installation of heavy objects above 150 kgf, the wall can withstand this tensile force, and make sure that the wall is flat after installation.**
- **Please make sure that a qualified professional follows the steps in this manual to install the pedestal.**

### **General Recommendations:**

Please read installation and maintenance instructions thoroughly before installing the pedestal bathroom sink. Be sure to use proper tools and always wear proper personal safety accessories for your protection.

# INSTALLATION INSTRUCTIONS

## 1. SUGGESTED TOOLS AND MATERIALS



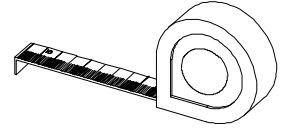
Silicone



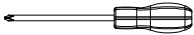
Safety Glasses



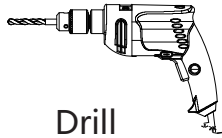
Pencil



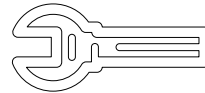
Tape Measure



Screwdriver



Drill




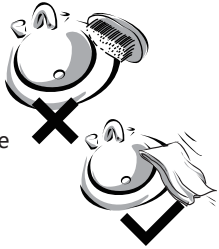
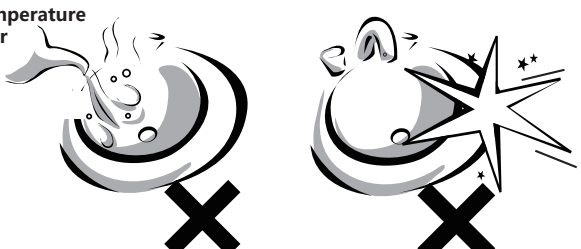
Adjustable Wrench

- Installation tools are not provided, please prepare by yourself.

## 2. PART LIST

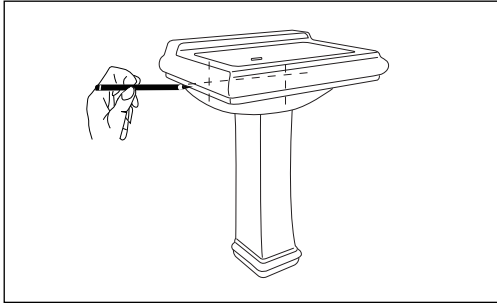
Basin, pedestal, bolts kit, installation instruction.

## 3. USE AND MAINTENANCE

<b>Cleaning</b>	<ul style="list-style-type: none"><li>× Cannot use strong cleaning agents</li><li>× Cannot use strong corrosive cleaners</li><li>√ Neutral cleaners should be used to clean the product</li></ul> 	<b>Use</b>	<ul style="list-style-type: none"><li>× Do not use nylon brushes clean product to avoid abrasion of the surface.</li><li>√ Please use a soft cloth to clean the washbasin.</li></ul> 
<b>Warning</b>	<ul style="list-style-type: none"><li>× Do not pour hot water directly into the basin when the ambient temperature is low.</li><li>× Avoid direct impact of hard objects on the surface of the product to avoid damage to the product.</li></ul> <p>High-temperature hot water</p> 		

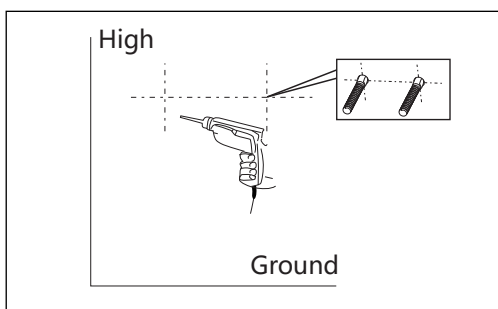
# INSTALLATION INSTRUCTIONS

## 4. INSTALLATION STEPS



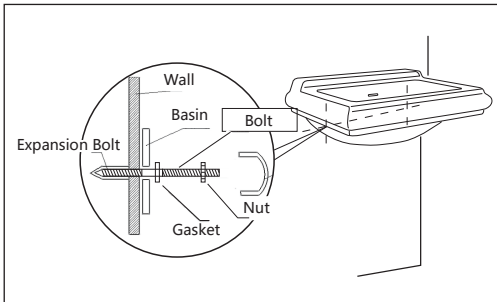
### STEP 1:

Place the basin column at the position where it needs to be installed and then mark the position of the basin's installation hole.



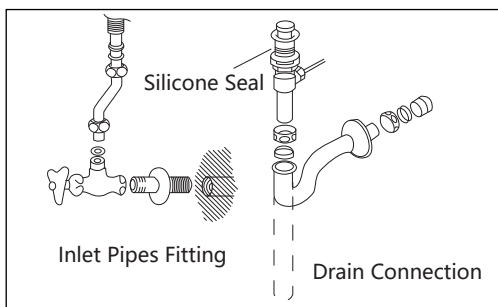
### STEP 2:

Use a drill to make a hole at the mark on the wall, and then fix the expansion bolt in the installation hole. Install the end of the bolt for the installation basin to the corresponding expansion bolt.



### STEP 3:

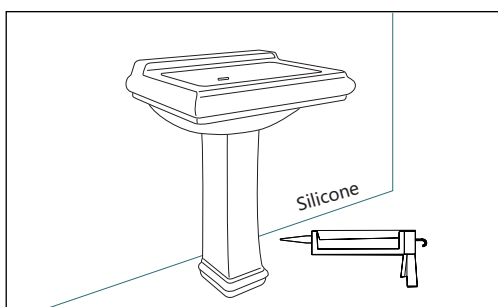
After installing the faucet, fix the basin to the bolts which are already installed on the wall.



### STEP 4:

Install the drain fittings according to the corresponding instructions, and connect the inlet and drain pipe fittings. Seal the bottom of the drainage with silicone.

**Attention:** The faucet and the water inlet and drain pipes fittings must be firm, otherwise there may be leakage. After installation, please be sure to confirm whether there are any defects such as water leakage.



### STEP 5:

After installing the basin, place the column to the corresponding position. Coat the contact surface between the basin and the wall and between the column and the ground with adhesive sealing materials such as silicone.

**Attention:** It is absolutely forbidden to use epoxy resin glue and other sealing materials that increase in volume after hardening.