

20" LED Mirror

Model: M-007-20TT

Size: 500*1000*30MM



LED Lighted Mirror with Dimming

Installation • Operation • Safety • Warranty

Support:

✉ support@serabathroomdesigns.com

☎ 1-833-411-7372

🌐 www.serabathroomdesigns.com



5mm copper-free
silver mirror



Time & Temperature
display function



Acrylic back frame
and Aluminum frame



3000K / 6000K
LED light
(2 dimming options)

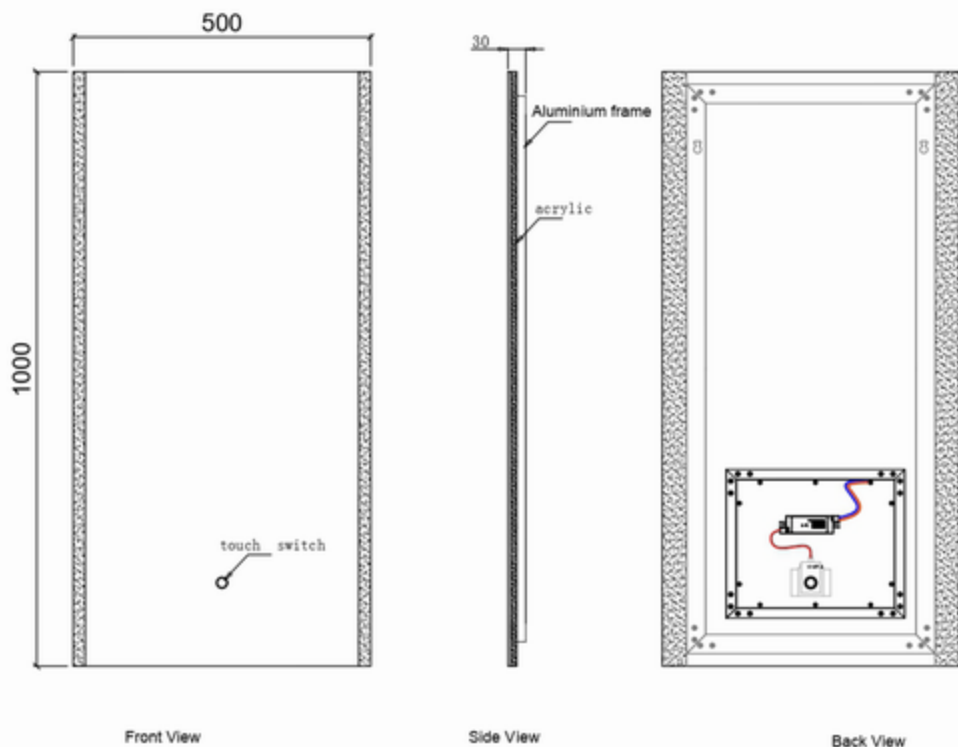


Single-touch sensor
switch with
dimming function



UL LED driver:
110V

PRODUCT FEATURES



- 20" LED Mirror
- Acrylic back frame and Aluminium frame
- 5mm copper free silver mirror
- 3000k/6000k LED light
- Single touch sensor switch with dimming function
- UL LED driver : 110V
- Time & Temperature display function

CONTACT US AT:

✉ support@serabathroomdesigns.com

☎ 1-833-411-7372

QUICK START

1. Turn OFF power at the breaker (verify with tester).
2. Locate studs and mark centerline
3. Install hanging bar/brackets level.
4. Make hard-wired electrical connections.
5. Hang mirror; lock-catch for horizontal mount.
6. Restore power; test touch sensors (light, dimming).

SAFETY & COMPLIANCE

- Installation by a licensed electrician only.
- Connect to a GFCI-protected, properly grounded circuit (120 V~ 60 Hz).
- Do not connect to any wall dimmer (ELV/triac). Use a standard ON/OFF switch if desired; dimming happens on the mirror.
- Two-person lift required; use PPE.
- Mount into wall studs whenever possible; use proper anchors for wall type.



DANGER



GFCI Protected



No wall dimmer



Ground properly



Two-person lift



PPE

CONTACT US AT:



support@serabathroomdesigns.com



1-833-411-7372



www.serabathroomdesigns.com

WHAT'S IN THE BOX & TOOLS

INCLUDED



Mirror
assembly



Hanging
bar



Wall
screws
(x2)



Anchors
(x2)

TOOLS NEEDED



Band
tap



Level



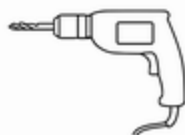
Pencil



PPE



Drill
bits



Electronic
drill



Cross
screwdriver



Stud
finder

CONTACT US AT:



support@serabathroomdesigns.com



1-833-411-7372



www.serabathroomdesigns.com

HARDWIRE INSTRUCTIONS

Warning: Manufacturer's warranty shall be void if product is not installed by a licensed professional

Prior to commencing installation, please ensure the following:

- The wall where the product is being installed is able to support the weight of the product
- The main electrical supply has been powered off to complete installation

IMPORTANT: Wiring Instructions for Canada & USA

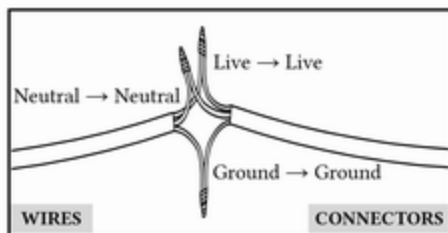
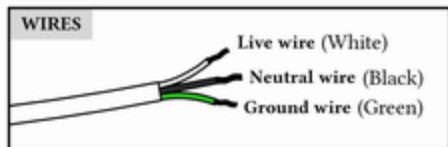
This fixture's wiring colors may not align with standard North American guidelines. For a safe installation, please re-identify the fixture wires with electrical tape as follows:

LIVE: Wrap black tape on the fixture's White wire. Connect this to your home's Black (Live) wire.

NEUTRAL: Wrap white tape on the fixture's Black wire. Connect this to your home's White (Neutral) wire.

GROUND: Connect the Green wire to your home's Green or Bare Copper ground wire.

Please consult a licensed electrician if you are unsure.



Important

- Hard-wire only. Do not attach a cord-and-plug.
- Use listed wire connectors; make all splices inside approved boxes.
- Do not use a wall dimmer. Use a standard ON/OFF switch if wall control is required.

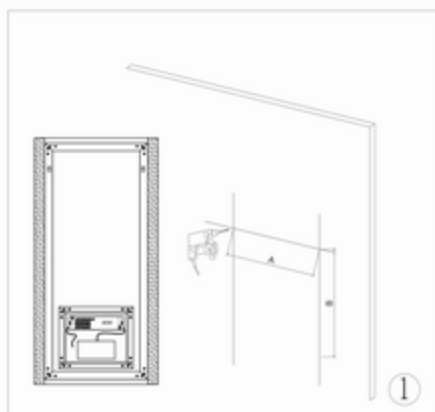
CONTACT US AT:

✉ support@serabathroomdesigns.com

☎ 1-833-411-7372

🌐 www.serabathroomdesigns.com

WALL MOUNTING INSTRUCTIONS



Measure the distance of the mounting hole.
Drill holes with a suitable sized drill.



Insert the anchor and mounting screw into the wall.



Connect the mirror wires with your main wires and hang the mounting hole to the screw on the wall.



Peel off protective film and clean the mirror with damp cloth.

CONTACT US AT:

✉ support@serabathroomdesigns.com

☎ 1-833-411-7372

OPERATION & FEATURES



MIRROR LIGHT USE

Short touch the Power button (right touch sensor), to turn on / off the mirror light.



DIMMING LIGHT USE

Long touch the Power button (right touch sensor), to dimming the mirror light.

15%, 50%, and 100% dimming levels.



SET UP CLOCK AND TEMP

1. Long touch the Clock button for 5 sec. (left touch sensor), to enter hours setting mode. Sensor starts flashing.
2. Short touch the Clock button (left touch sensor), to set hours.
3. Long touch the Clock button for 5 sec. (left touch sensor), to enter minutes setting mode. Sensor starts flashing.
4. Short touch the Clock button (left touch sensor), to set minutes.
5. Long touch the Clock button for 5 sec. (left touch sensor), to switch temperature Celsius or Fahrenheit. Sensor starts flashing.

CONTACT US AT:

✉ support@serabathroomdesigns.com

☎ 1-833-411-7372

🌐 www.serabathroomdesigns.com

CARE & CLEANING AND TROUBLESHOOTING

CARE & CLEANING



Wipe with a soft, lint-free cloth; mild non-ammonia cleaner.



Do not use abrasives, pads, acids, or solvents.



Apply cleaner to cloth, not directly on sensor areas.

TROUBLESHOOTING (QUICK FIXES)



No light at install: Confirm breaker ON, correct wiring, internal quick-connects fully seated.



Touch unresponsive: Power cycle at breaker for 60 seconds; clean/dry glass over sensors.



Buzz/Hum: Ensure unit is not on a wall dimmer; verify solid ground.

CONTACT US AT:



support@serabathroomdesigns.com



1-833-411-7372



www.serabathroomdesigns.com