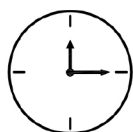
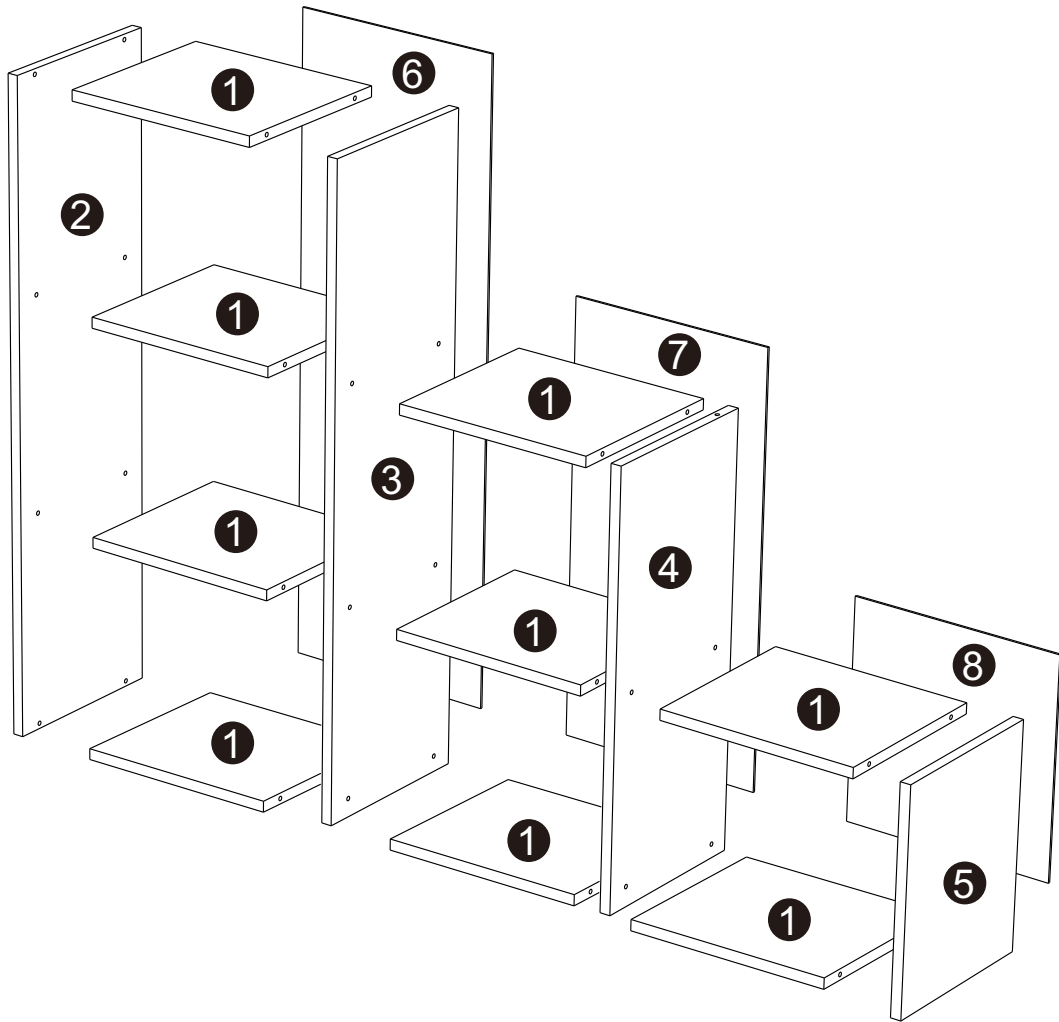


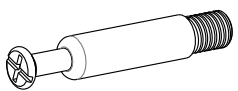
2 PERS.




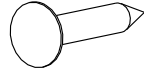
60 MIN

OPERATING INSTRUCTIONS

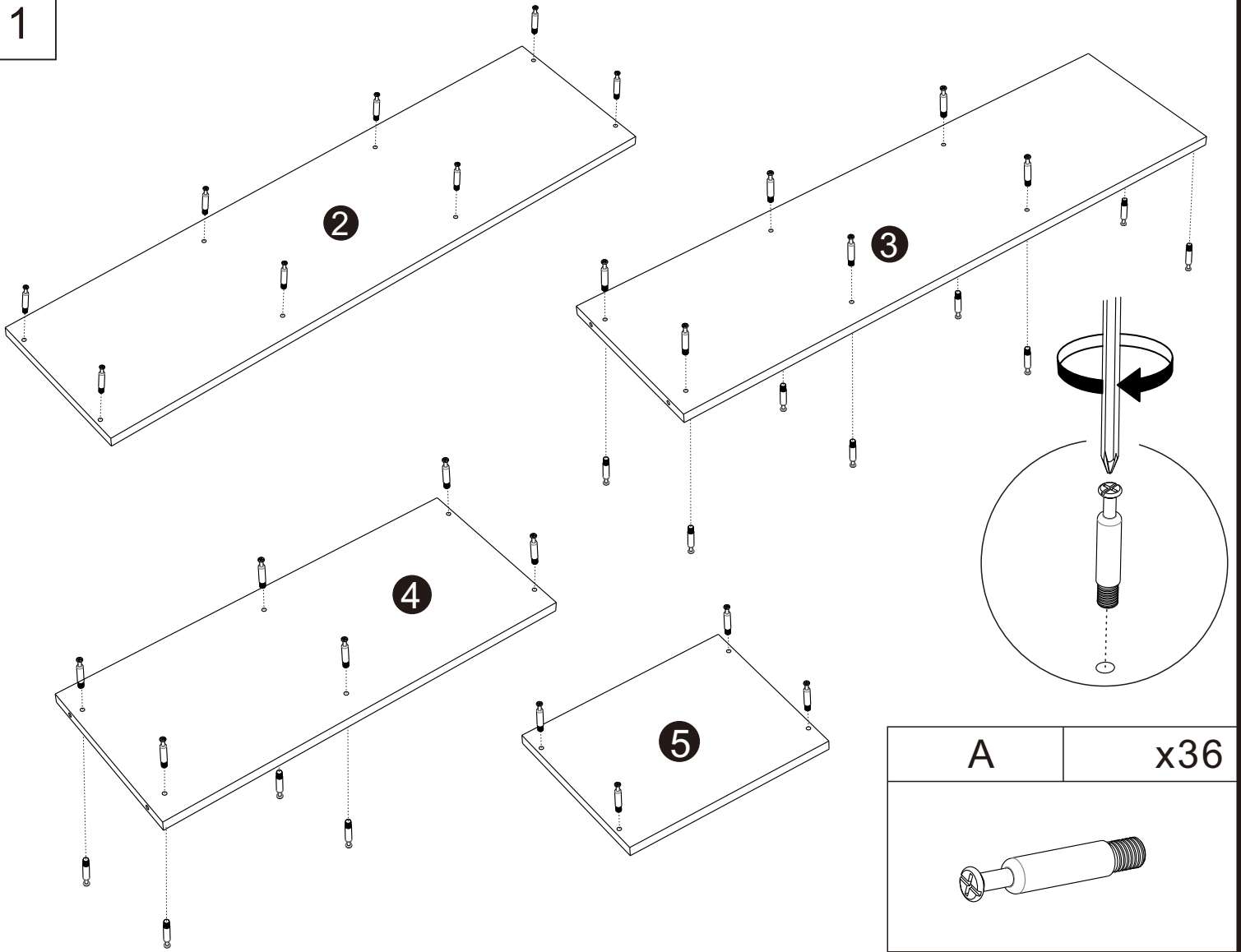


A	x39
	

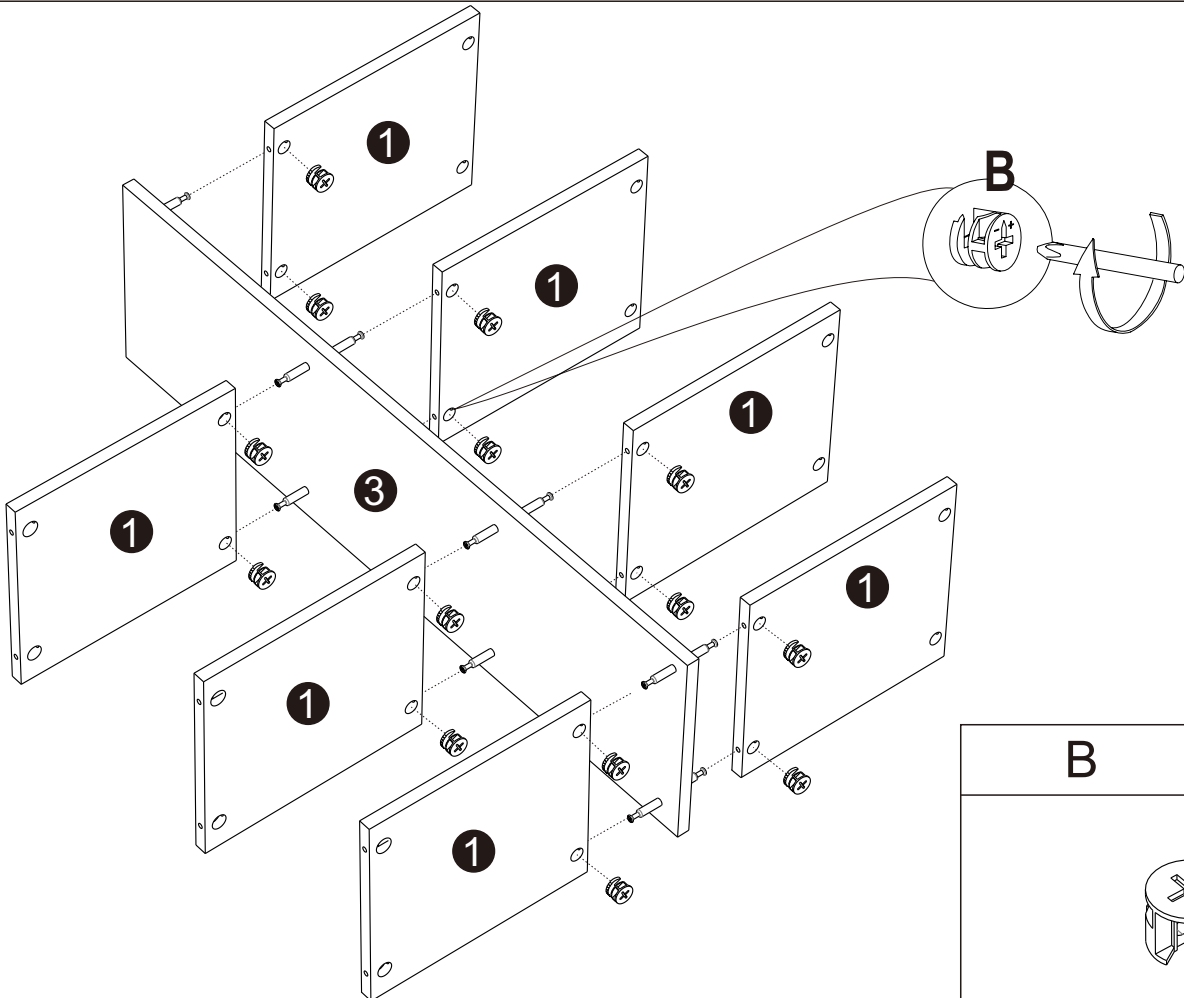
B	x39
	

C	x57
	

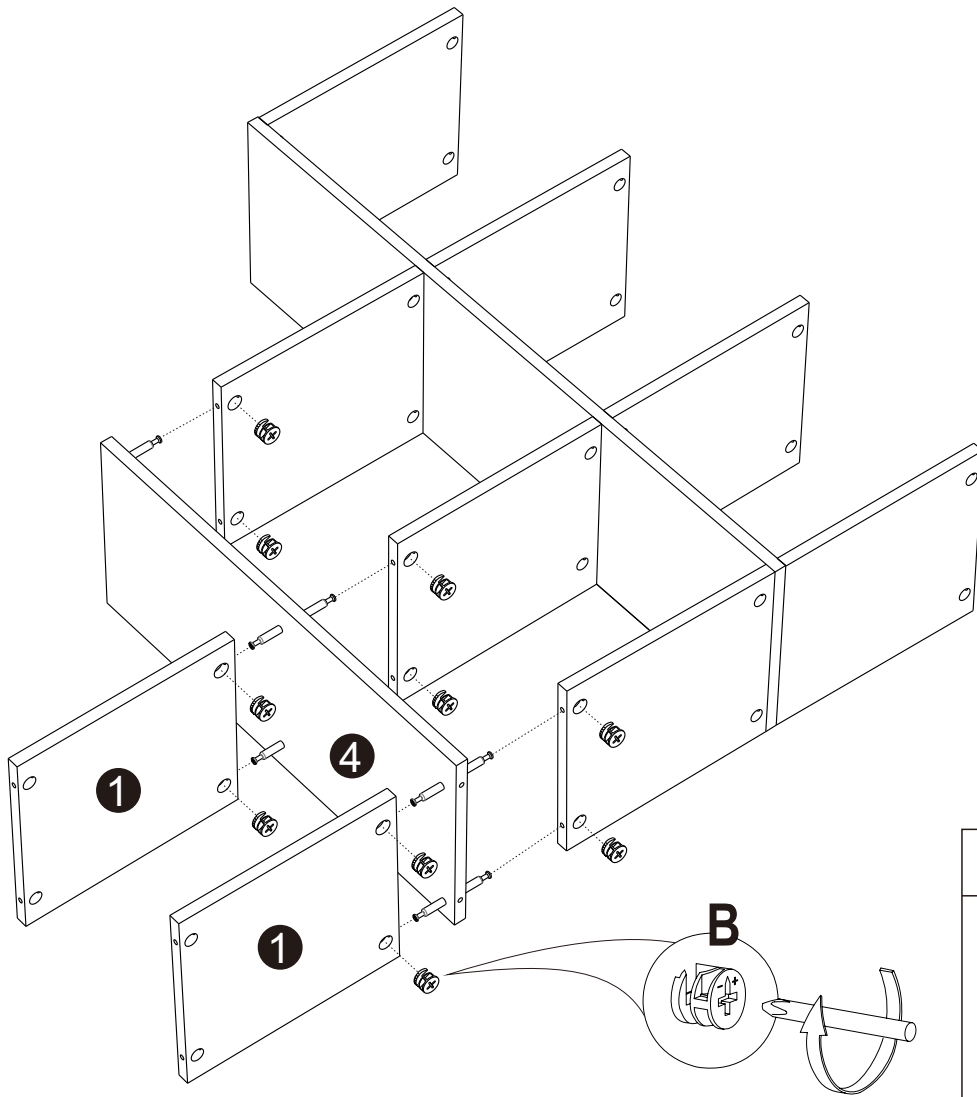
1




2

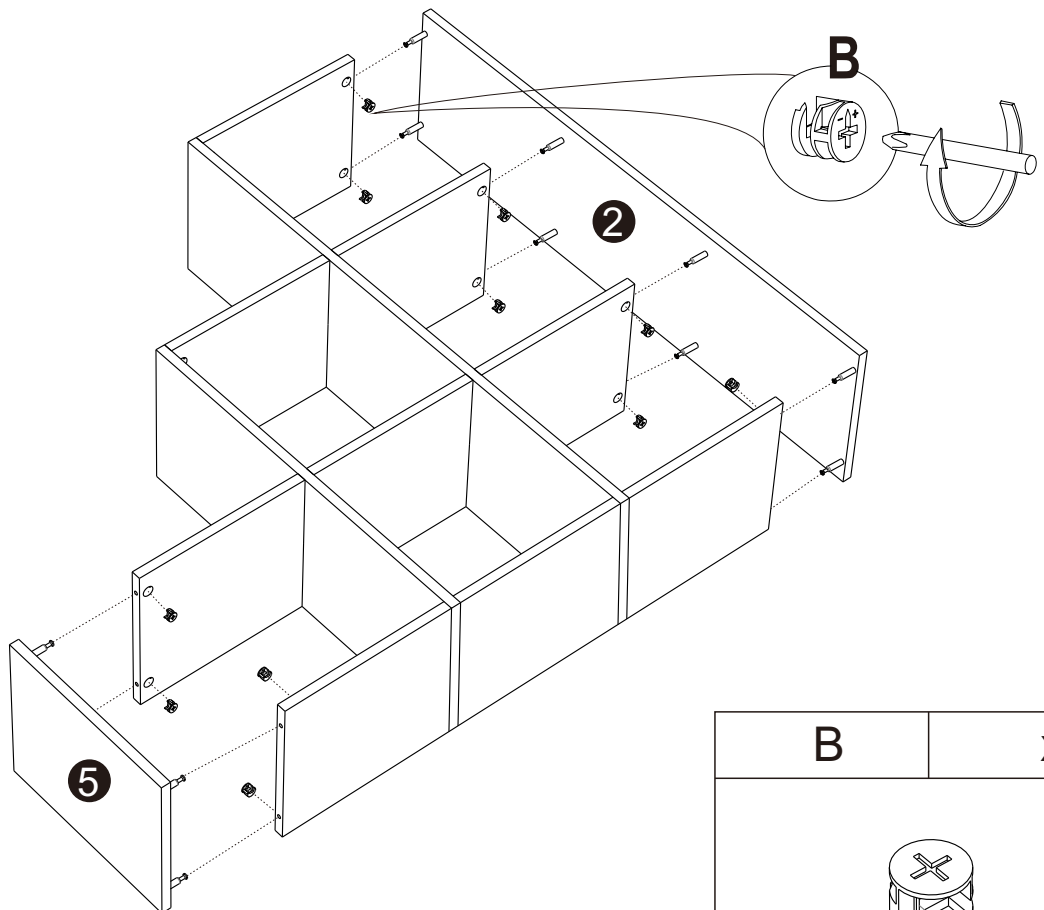



3



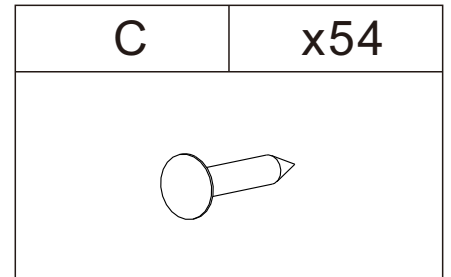
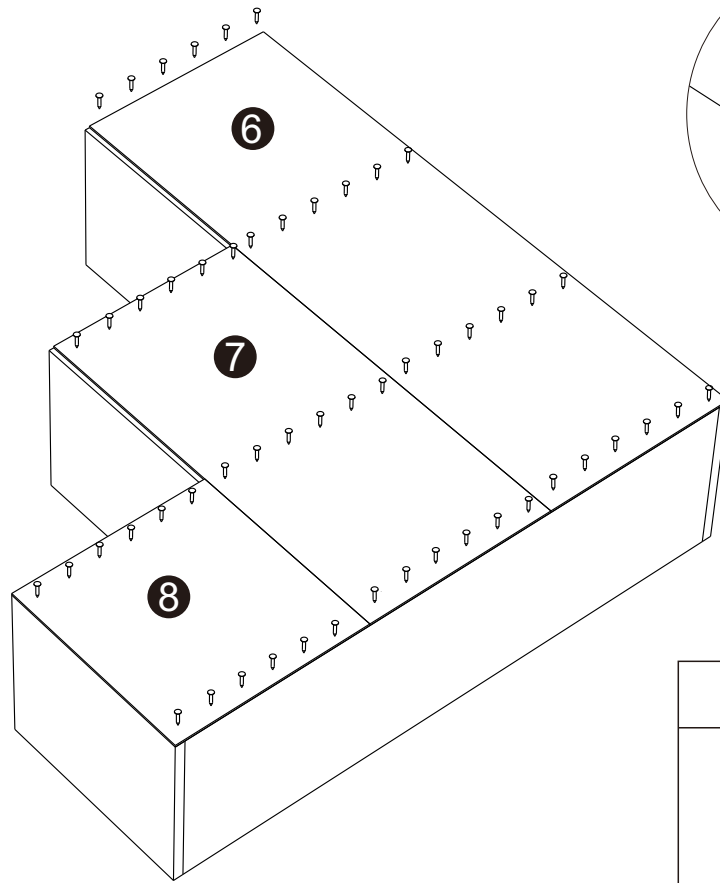
B	x10
	

4



B	x12
	

5



6

