



Product Assembly Instructions

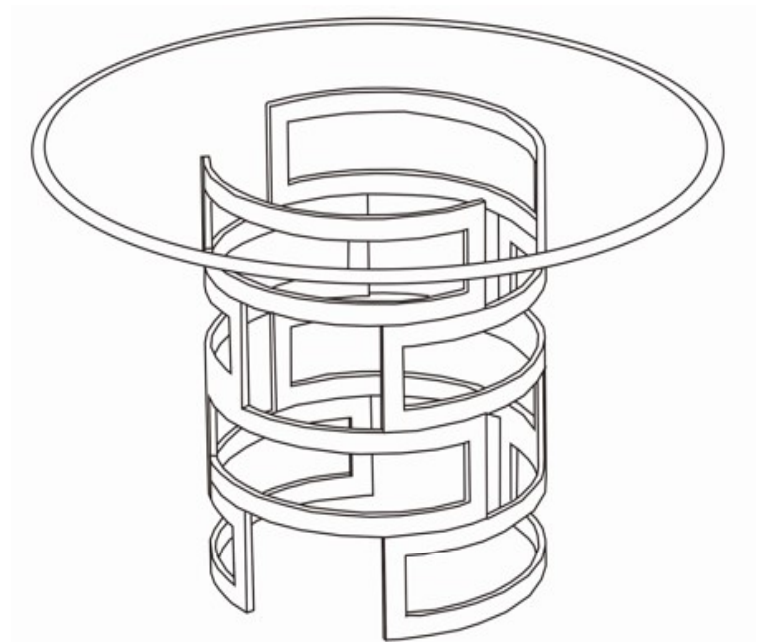
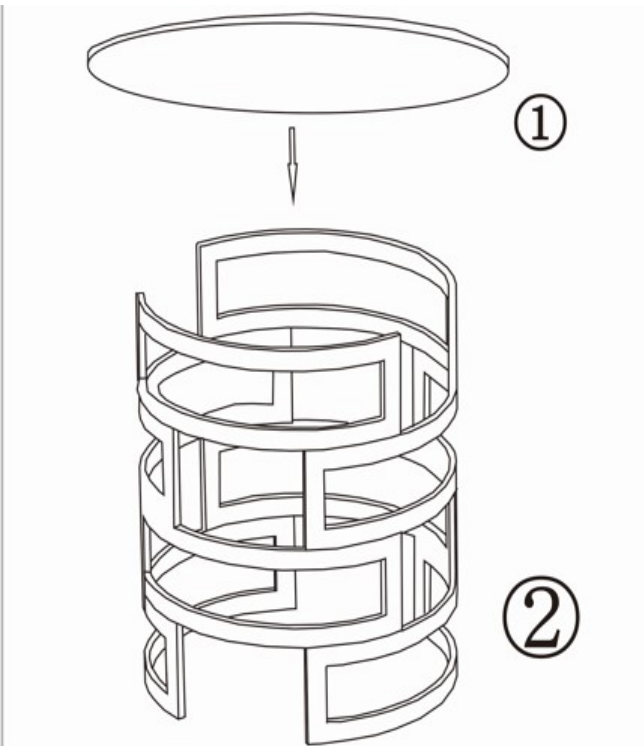
DINING TABLE

Helpers needed to assemble: 2
Estimate time frame to assemble: 10 minutes

·Step 1. Place the glass top(2) on the top of table.

·Step 2. Enjoy using your new table.

#	Picture	Description	Quantity
1		Glass Top	1
2		Metal Frame	1






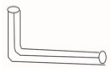
Product Assembly Instructions

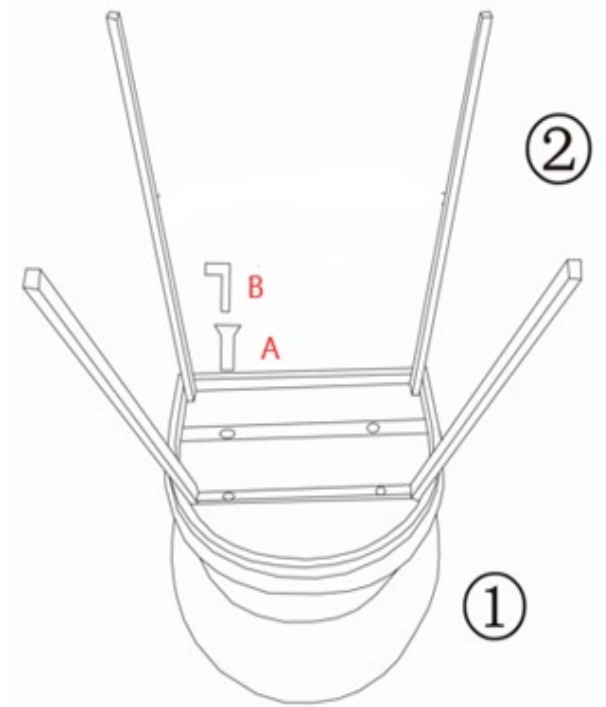
CHAIR

Helpers needed to assemble: 1

Estimate time frame to assemble: 10 minutes

- Step 1:** Align the frame(2) onto the bottom of seat (1).
- Step 2:** Put the bolts(A) through the holes of the frame and swivel.
- Step 3:** Use allen key (D) to affix the bolt until tightened.

#	Picture	Description	Quantity
1		Seat	1
2		Frame	1
A		Bolts(M6x35)	4
B		Allen Key	1



- Step 4:** Test the chair is firmly on the ground and the seat does not wobble.
- Step 5:** Sit and enjoy your new chair.

* Keep the Allen Key and tighten all screws every three months.