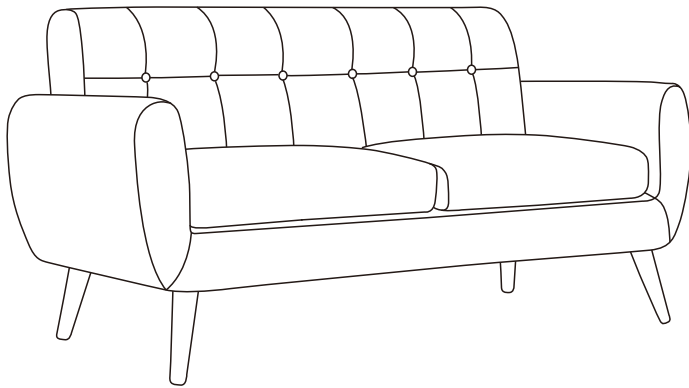
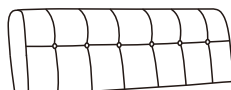
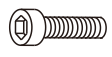
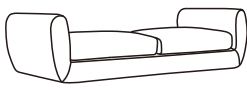




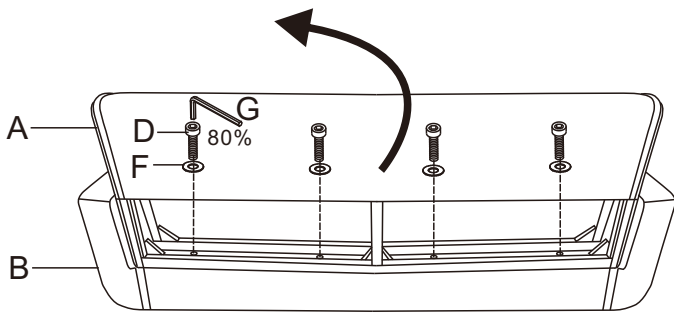


ASSEMBLY INSTRUCTIONS

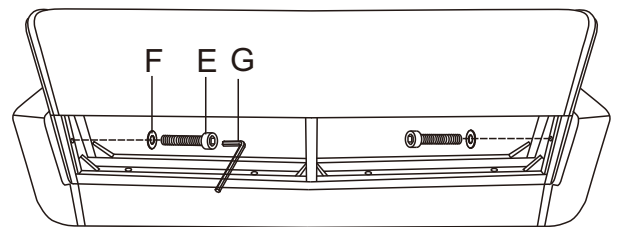


Ax1 	Dx4 
Bx1 	Ex2 
Cx4 	Fx6 
	Gx1 

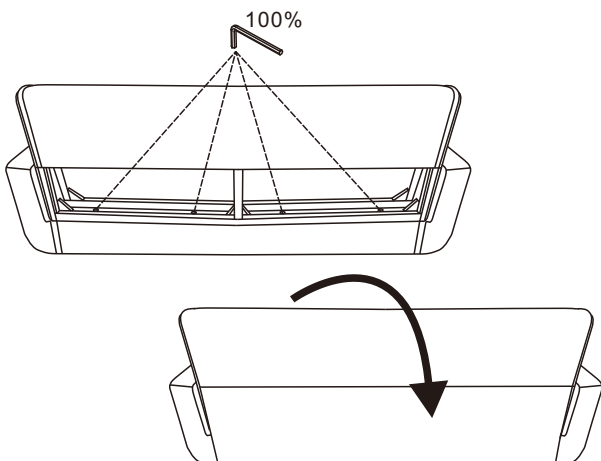
1



2



3



4

