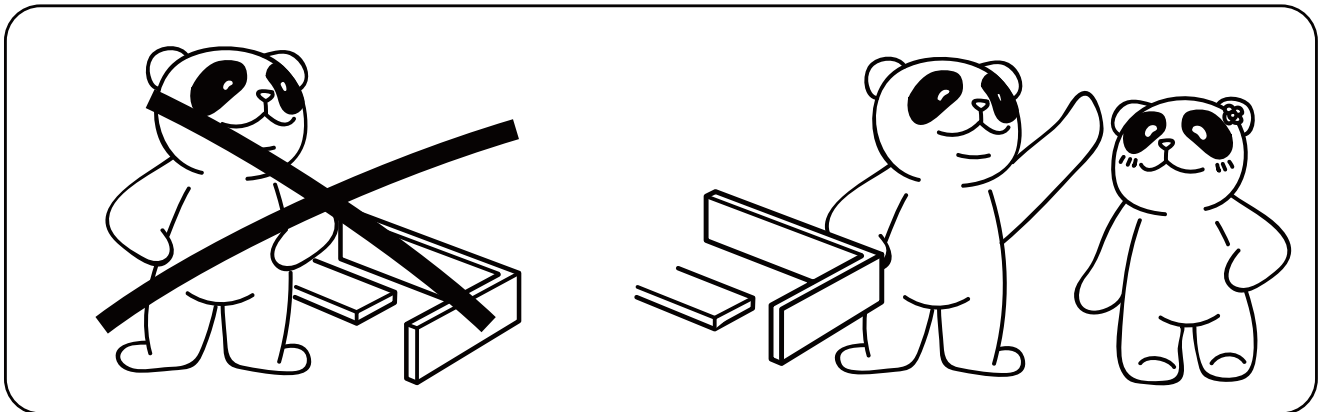
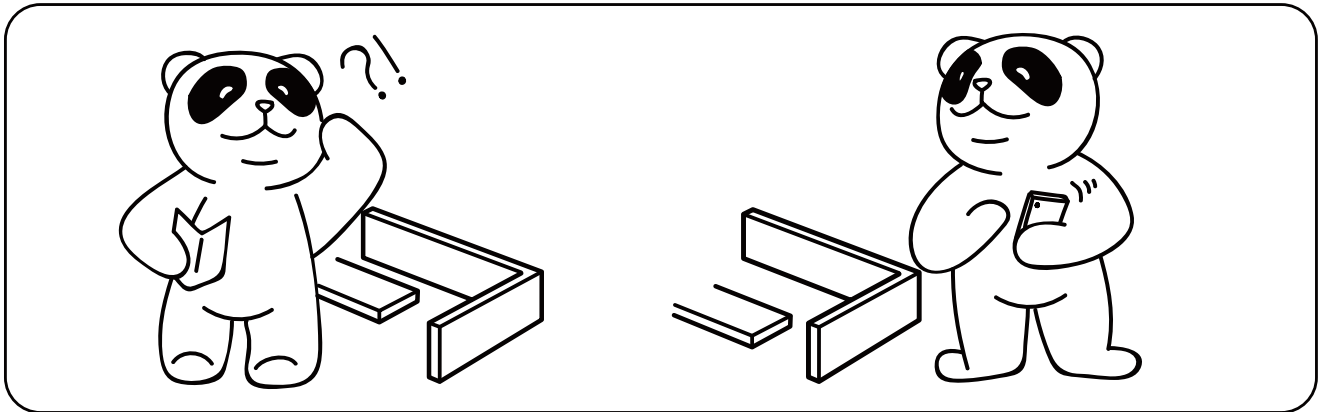
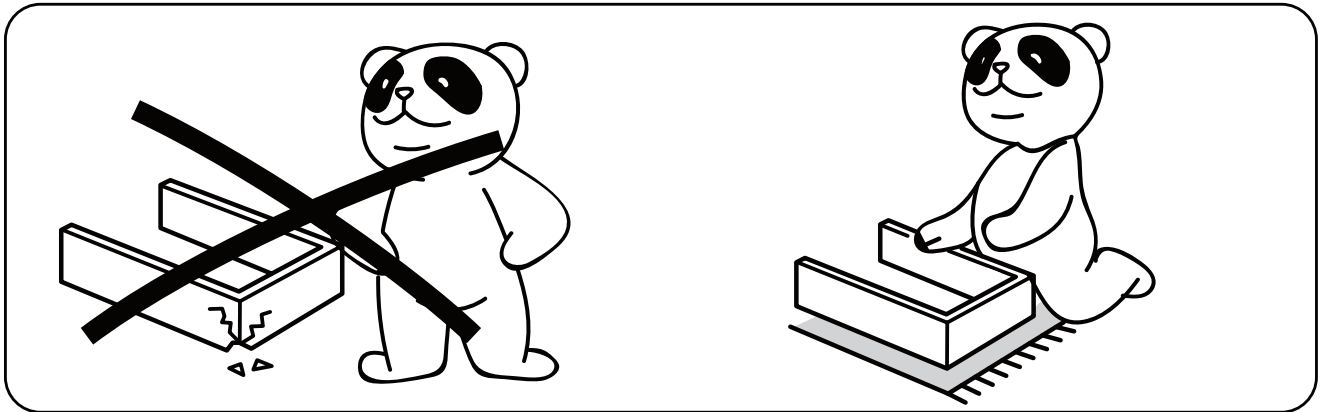
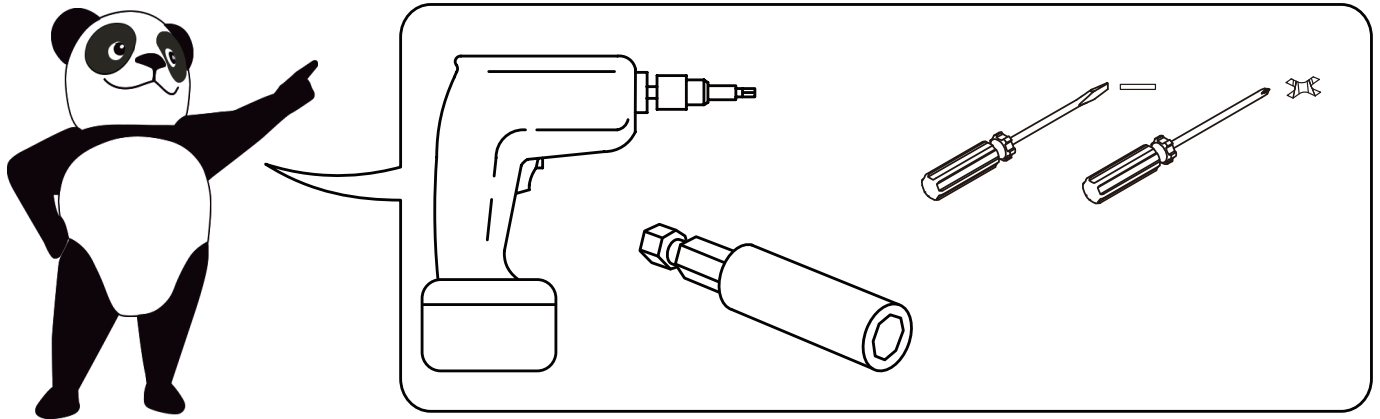


**12MM**



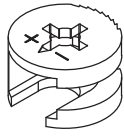
# Installation Parts



**A**

x18(+1)

Ø6x35mm



**B**

x18(+1)

Ø15x10mm



**C**

x14(+1)

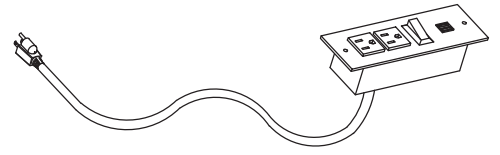
Ø6x30mm



**D**

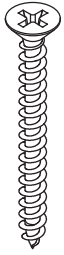
x2

Ø3.5x12mm



**E**

x1



**F**

x8

Ø4x35mm



**G**

x36(+3)

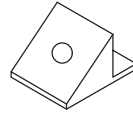
Ø3x12mm



**H**

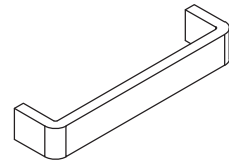
x8

Ø3x16mm



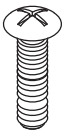
**I**

x8



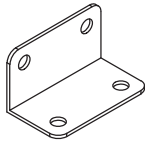
**J**

x2



**K**

x4



**L**

x4



**M**

x1(+1)



**N**

x1(+2)



**O**

x1(+1)



**P**

x1



**CL-1**

x1

L250mm



**CR-1**

x1

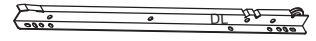
L250mm



**DR-1**

x1

L250mm



**DL-1**

x1

L250mm



**CL-2**

x1

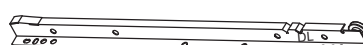
L300mm



**CR-2**

x1

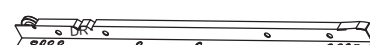
L300mm



**DL-2**

x1

L300mm

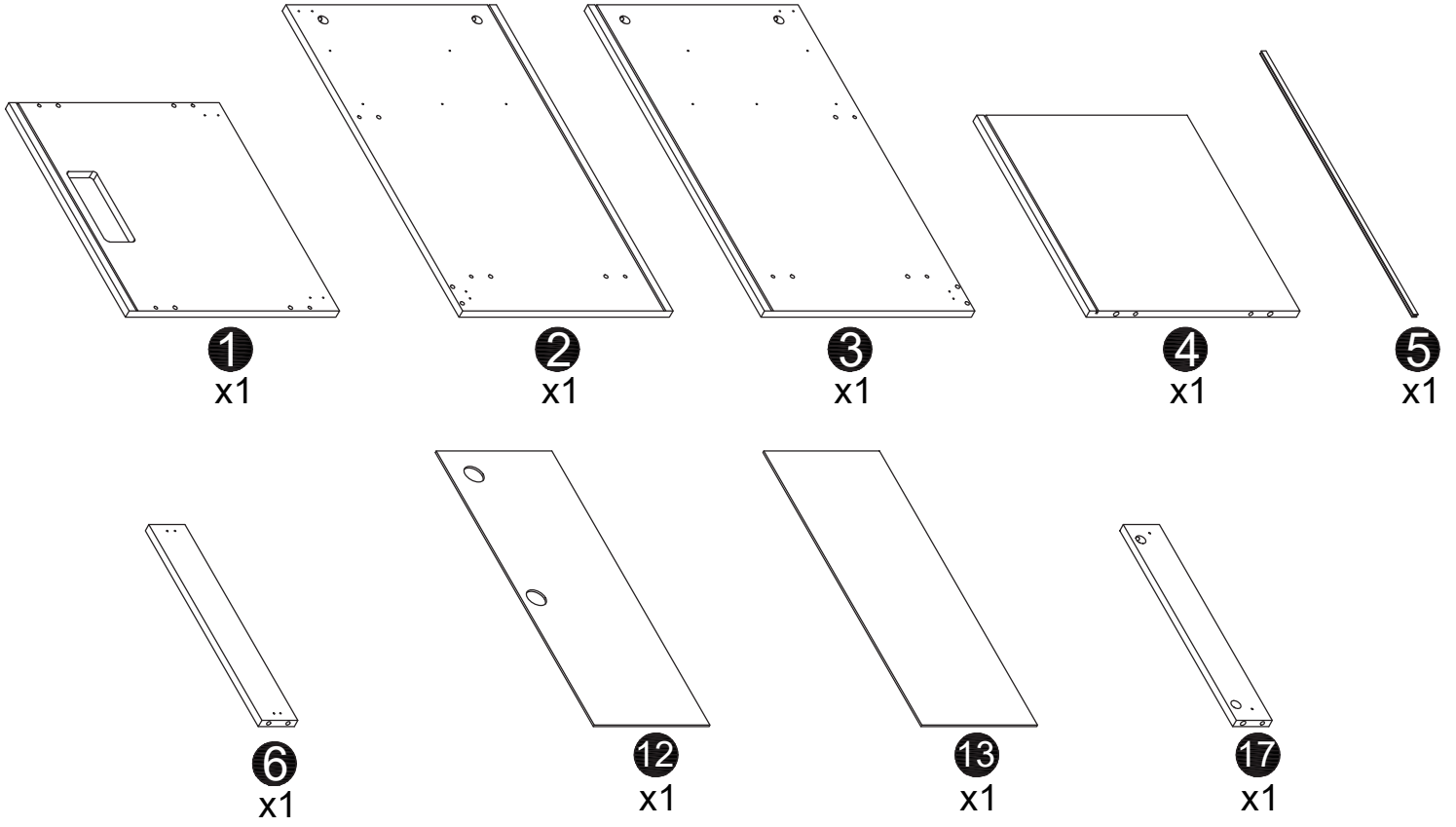


**DR-2**

x1

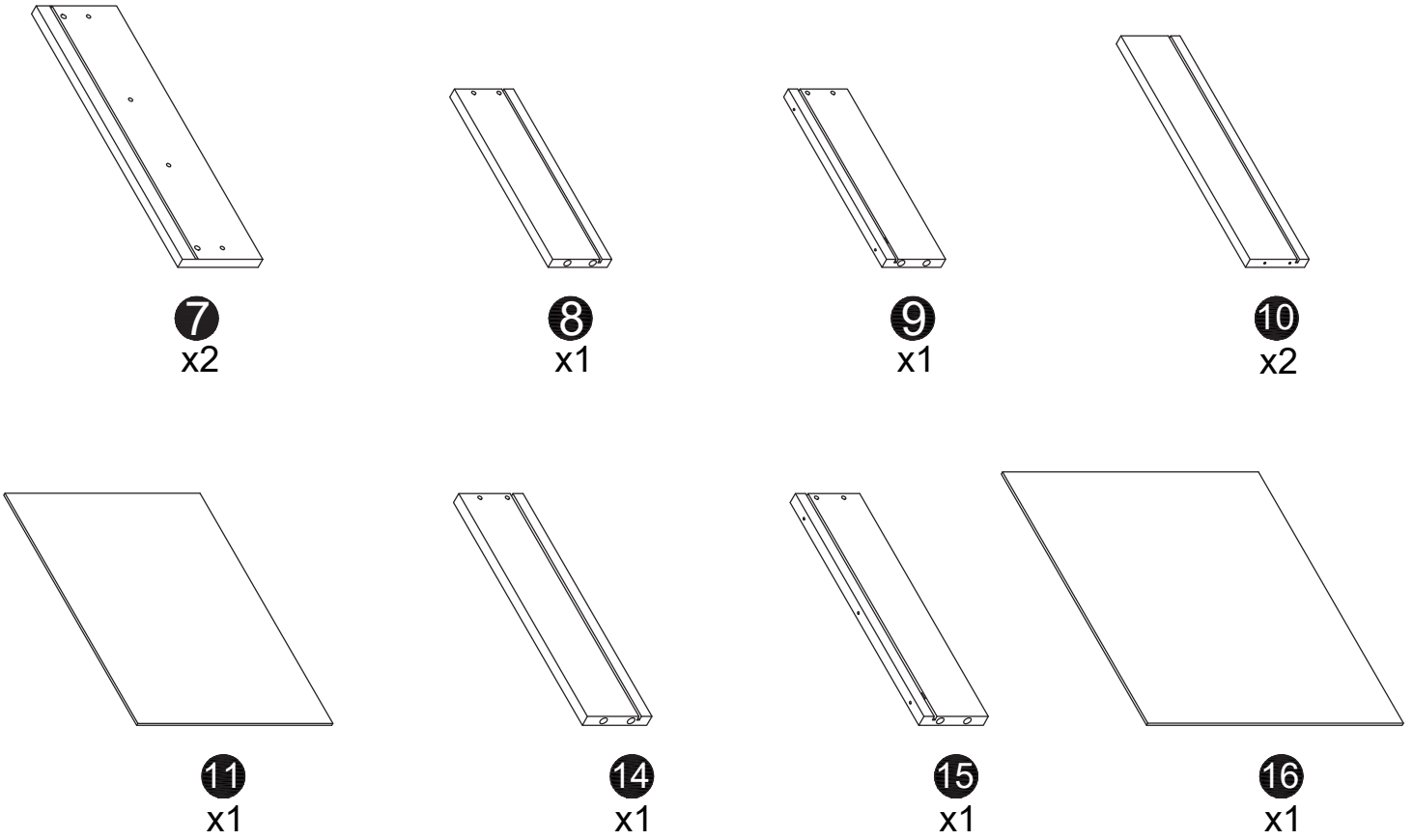
L300mm

# Mounting frame

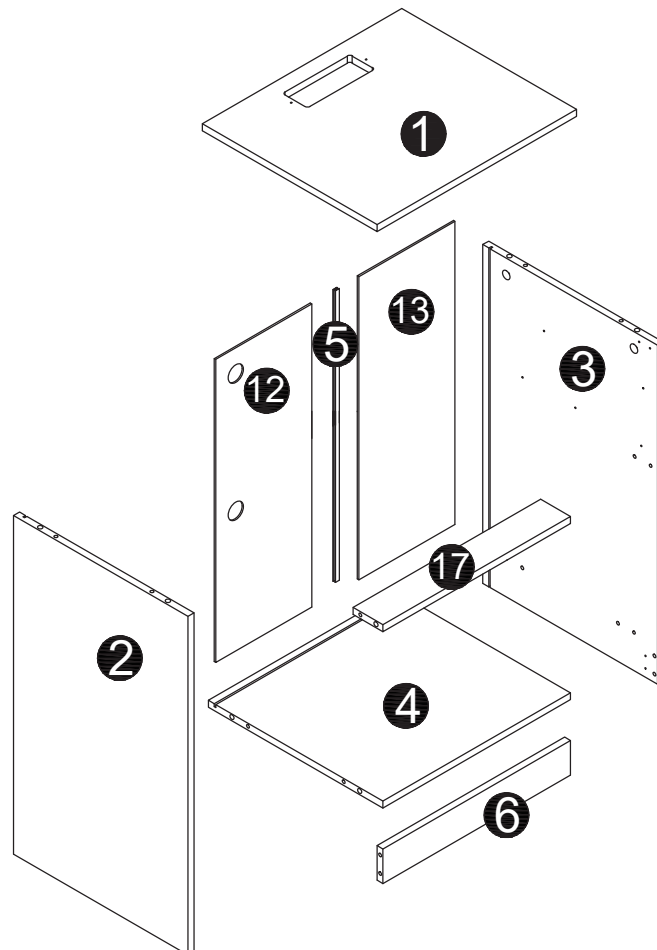
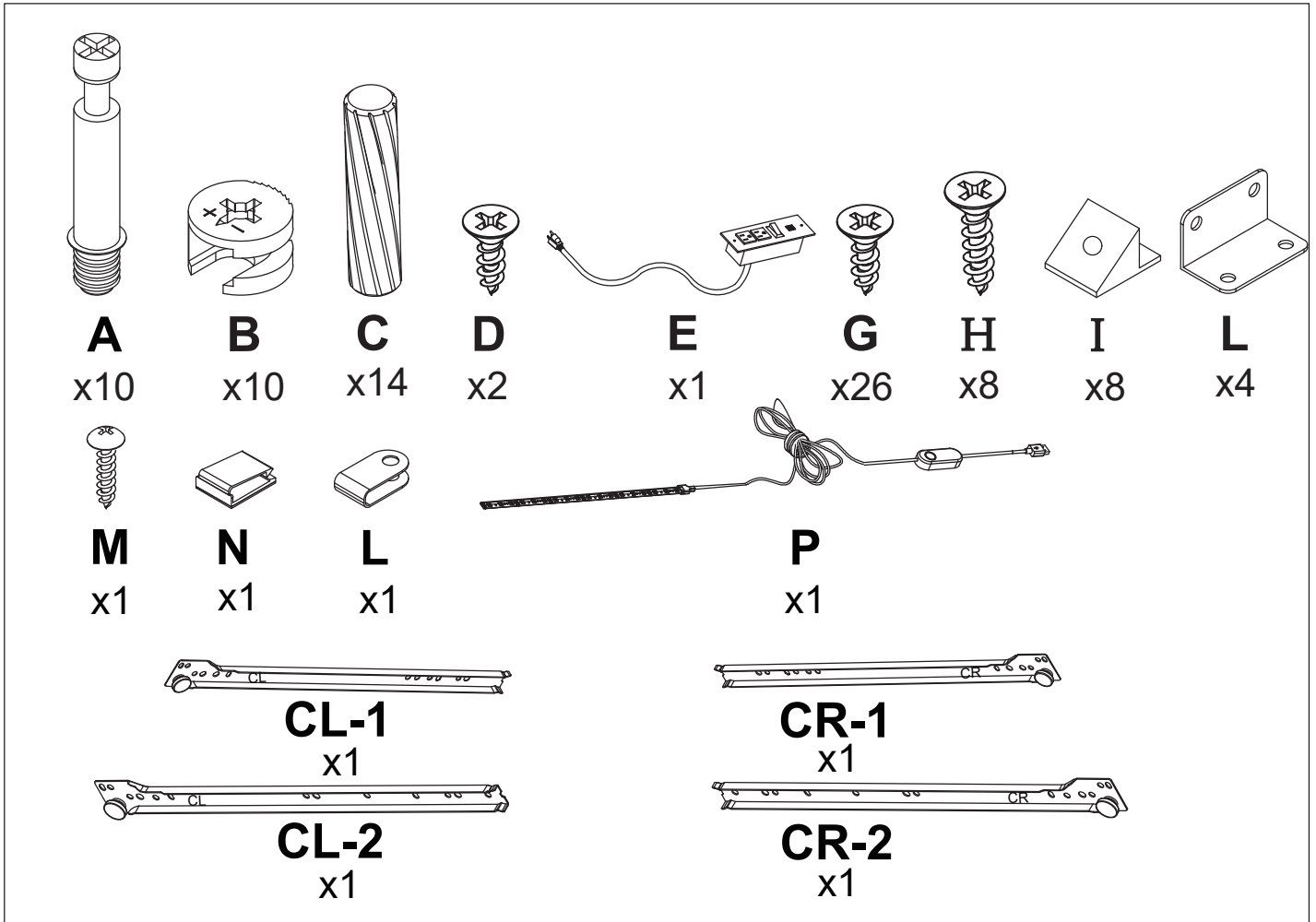


---

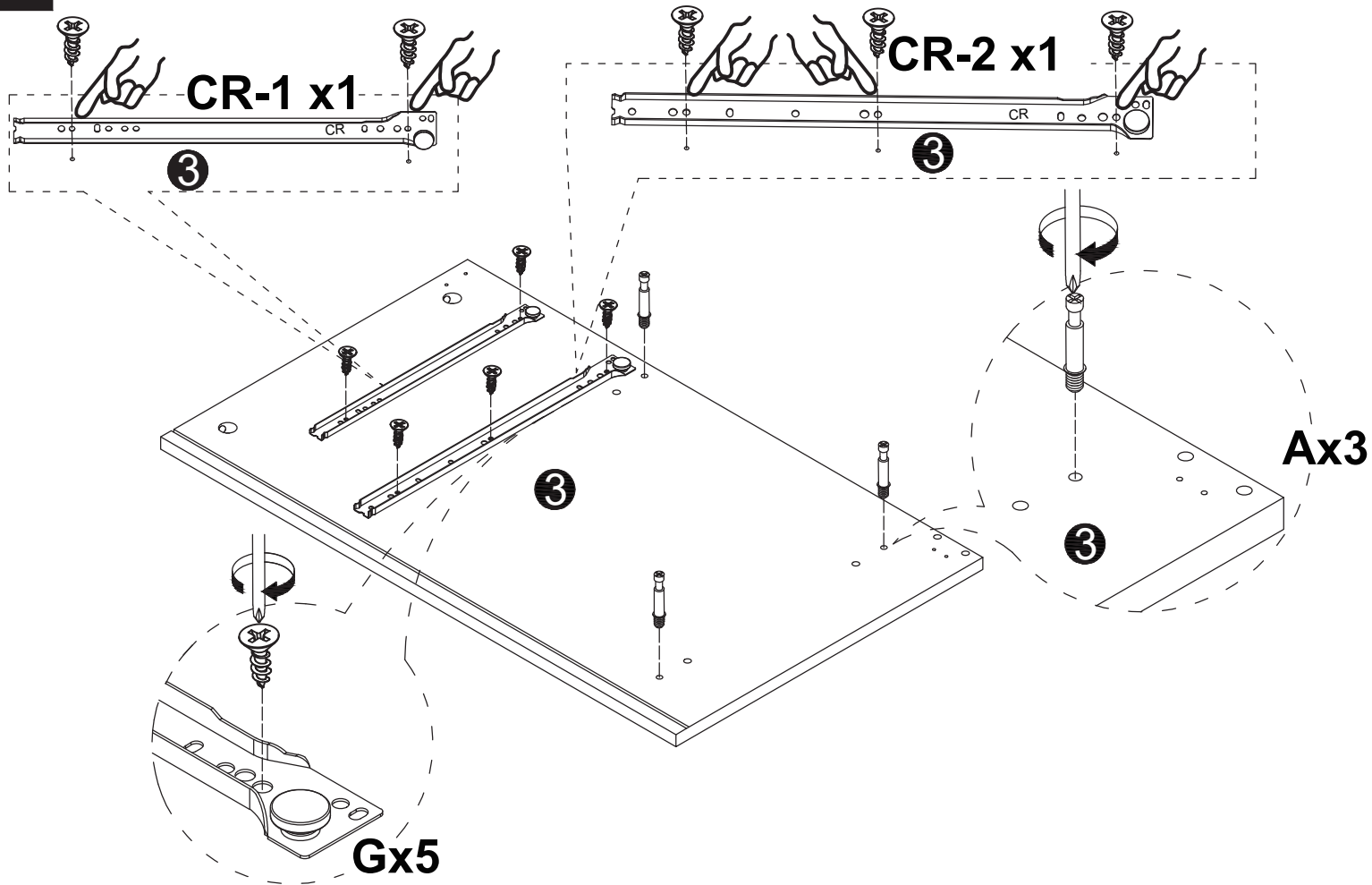
# Drawer



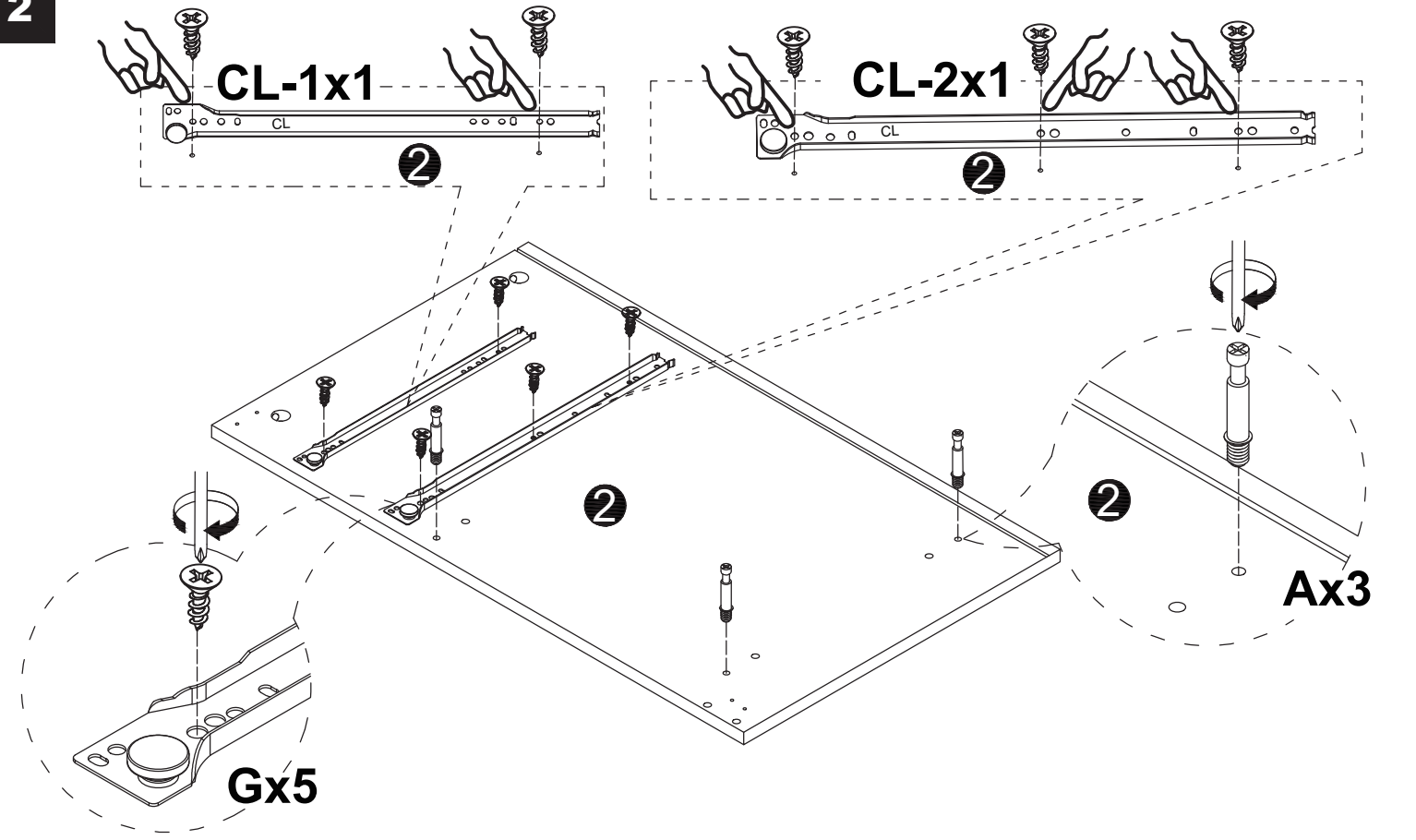
# Mounting frame



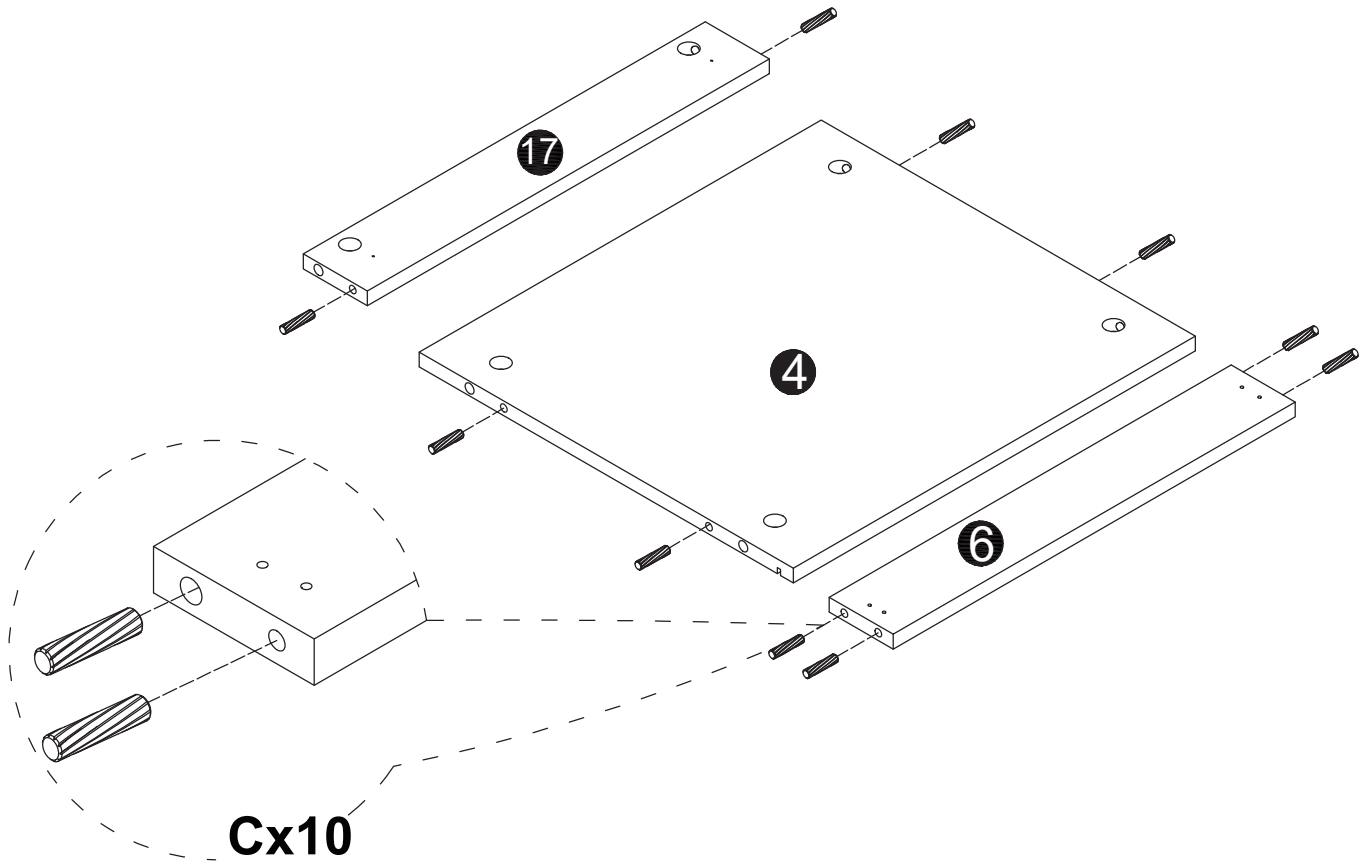
**1**



**2**

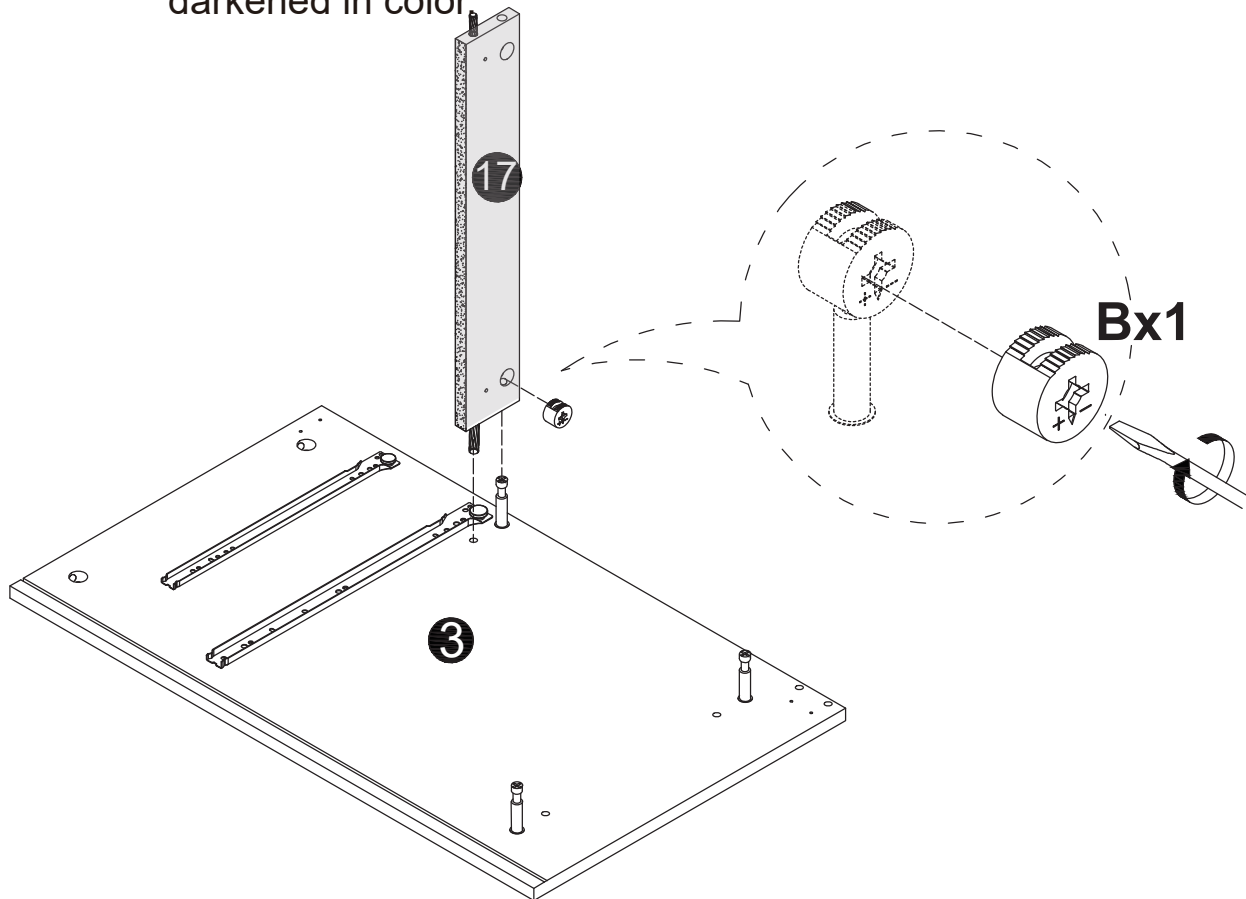


3

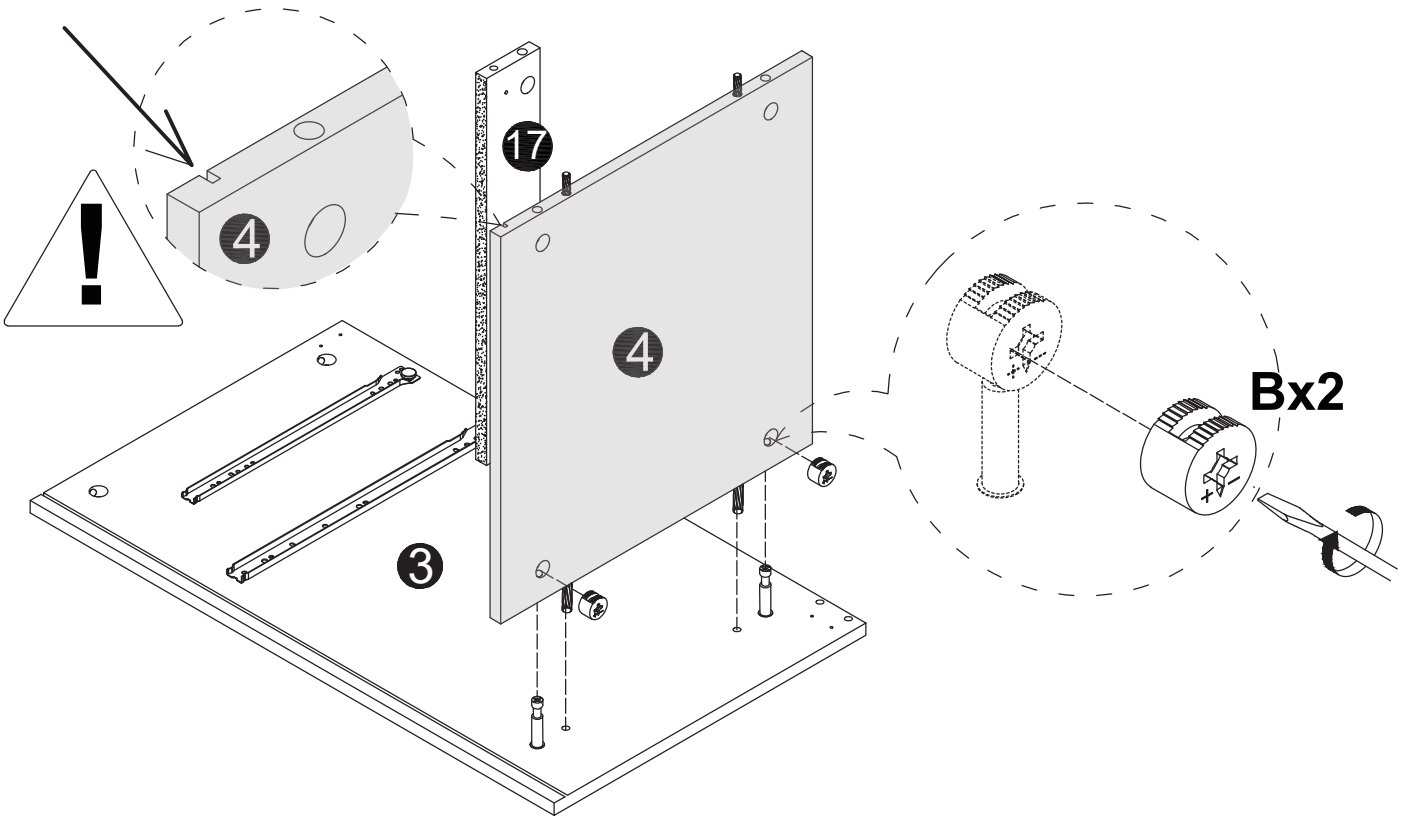


4

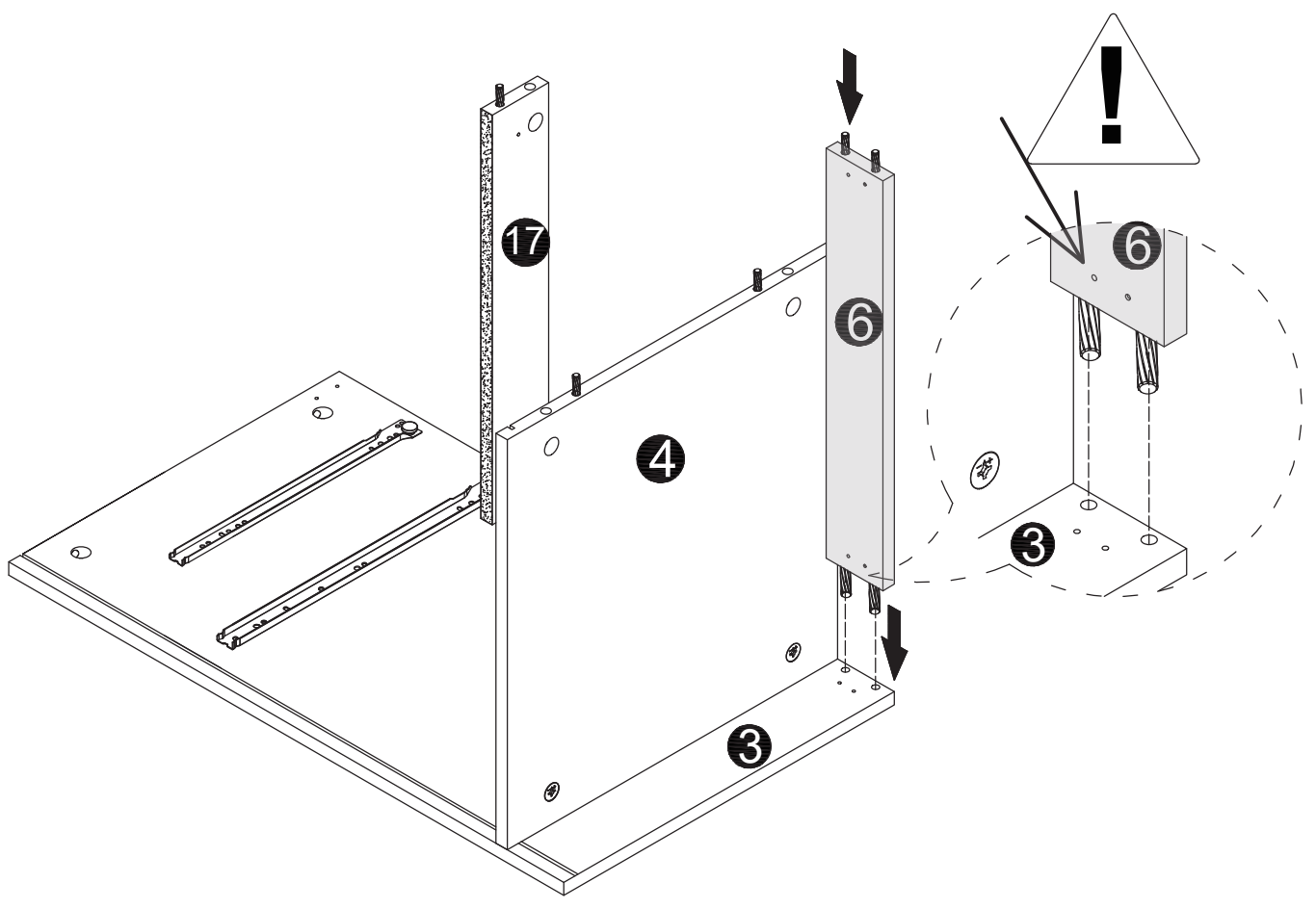
NOTE: The board to be installed in the current step is darkened in color

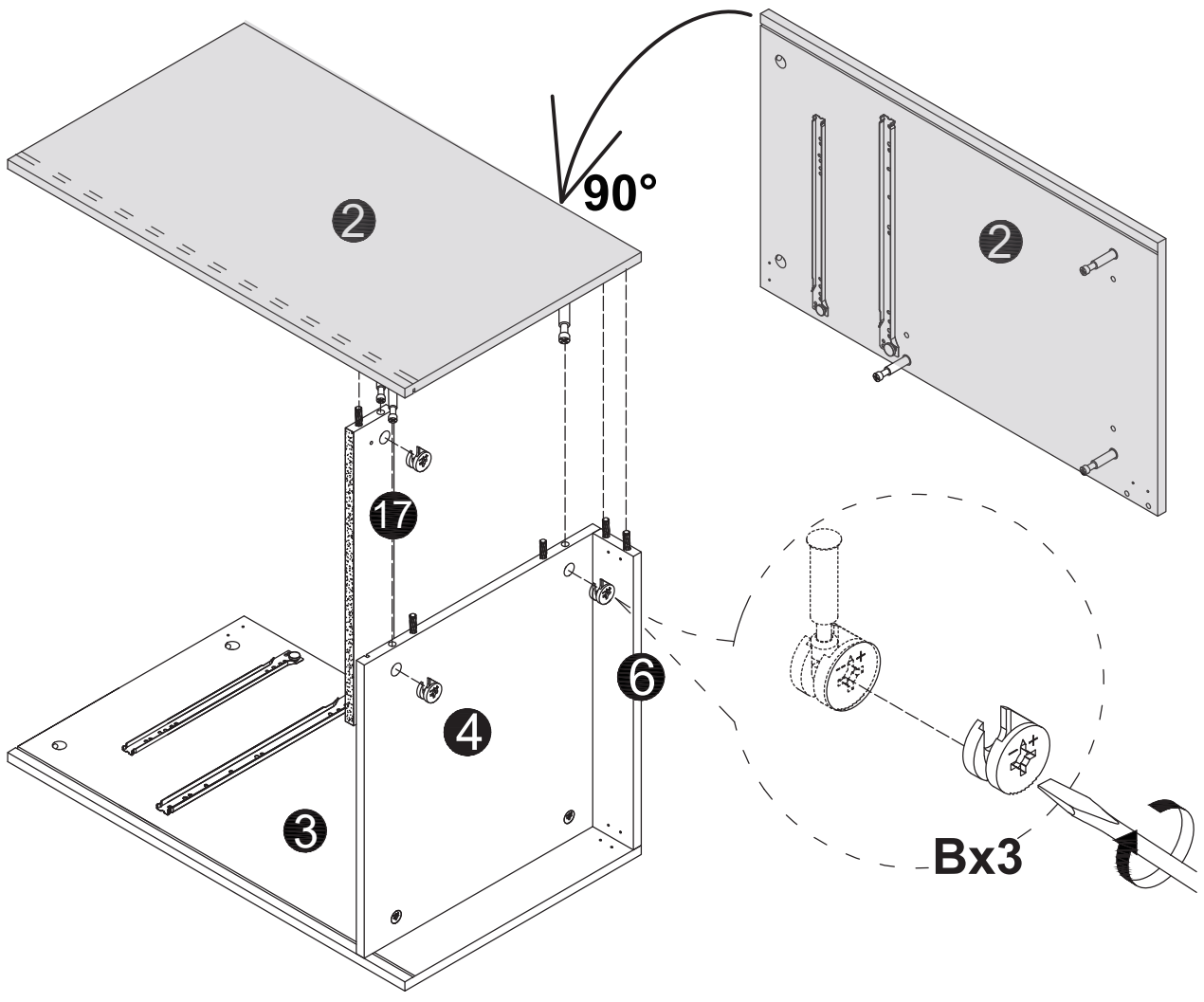


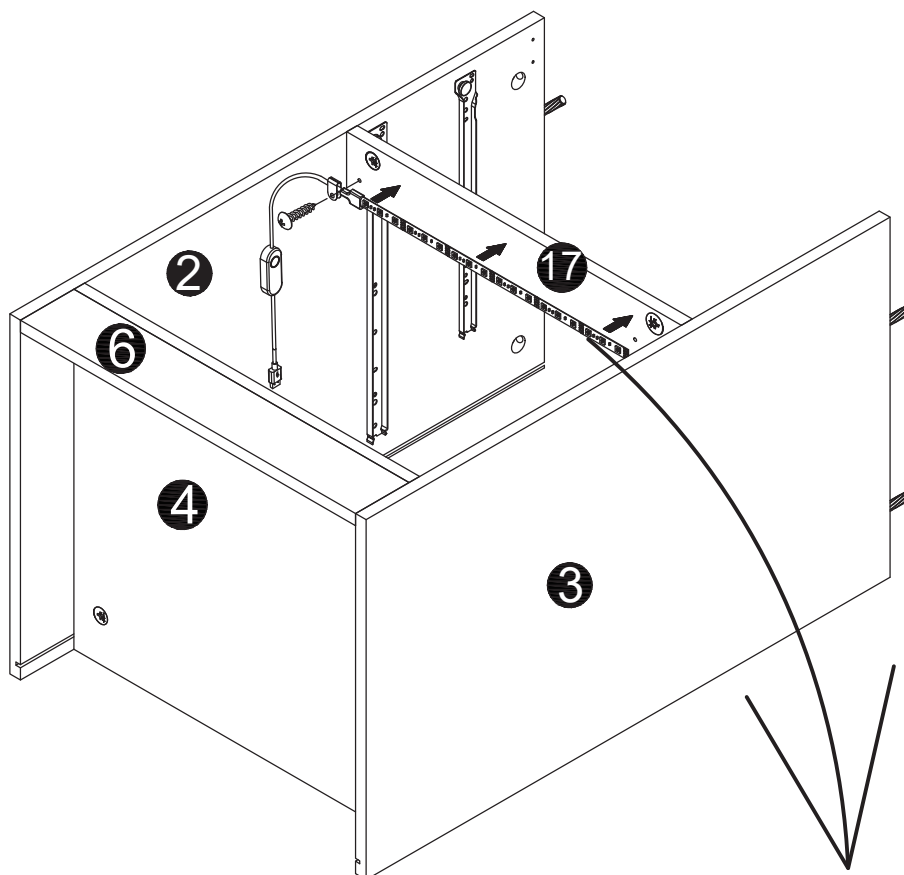
5



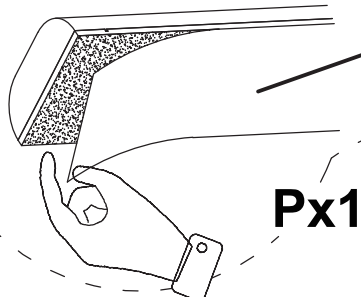
6



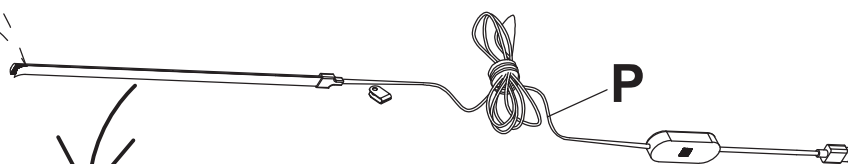




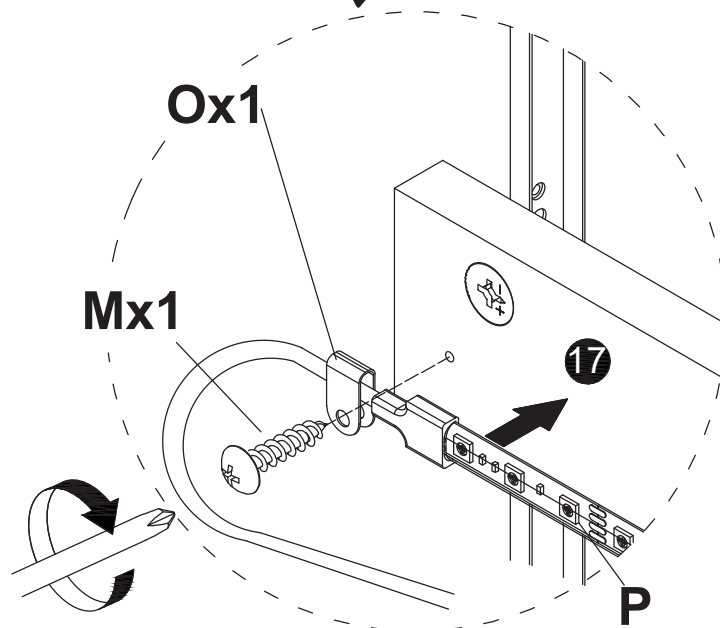
Tear off the back  
glue of the light strip



Px1



P



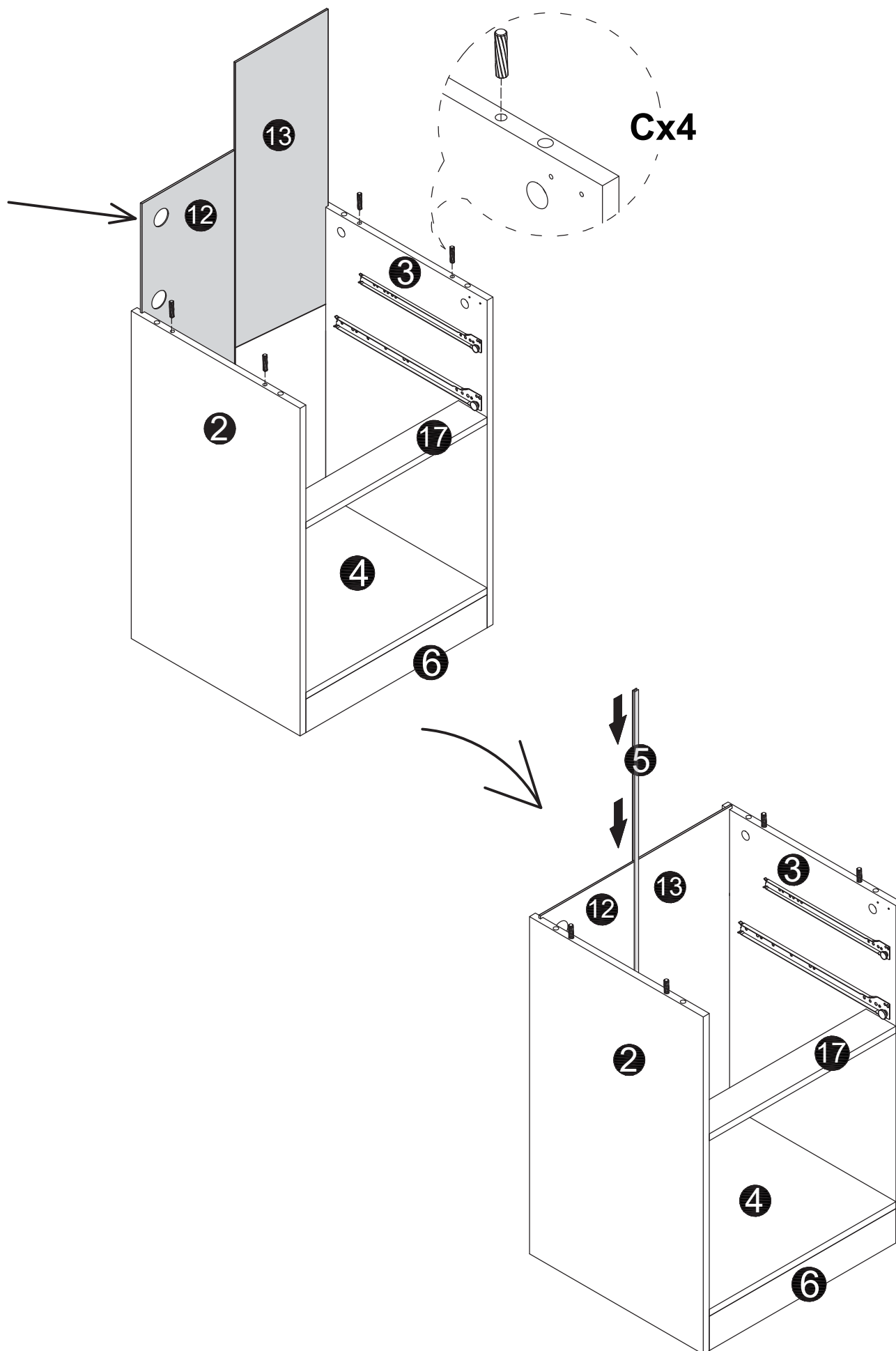
Ox1

Mx1

17

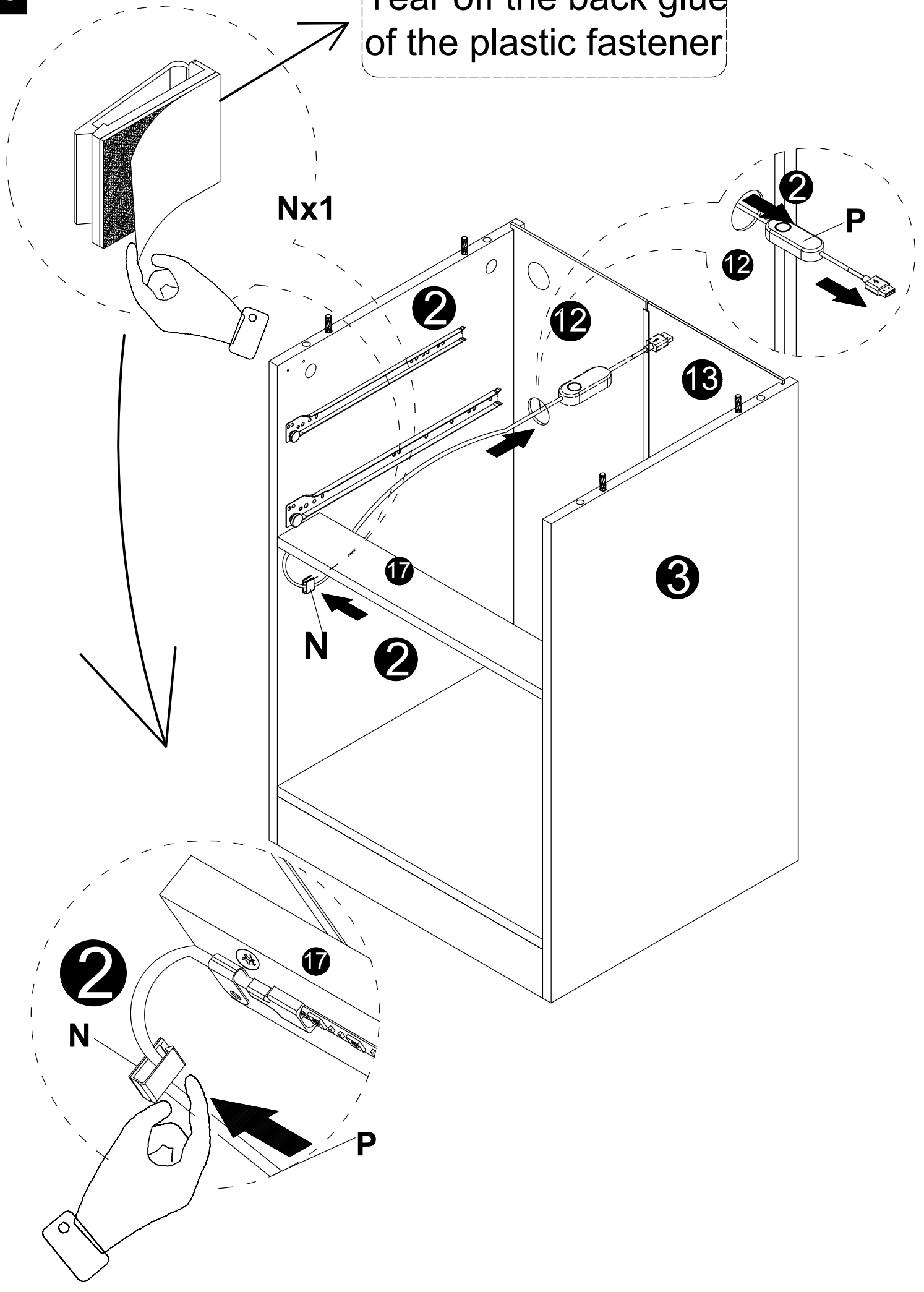
P

**9** Plates 12 and 13 can be interchanged left and right.

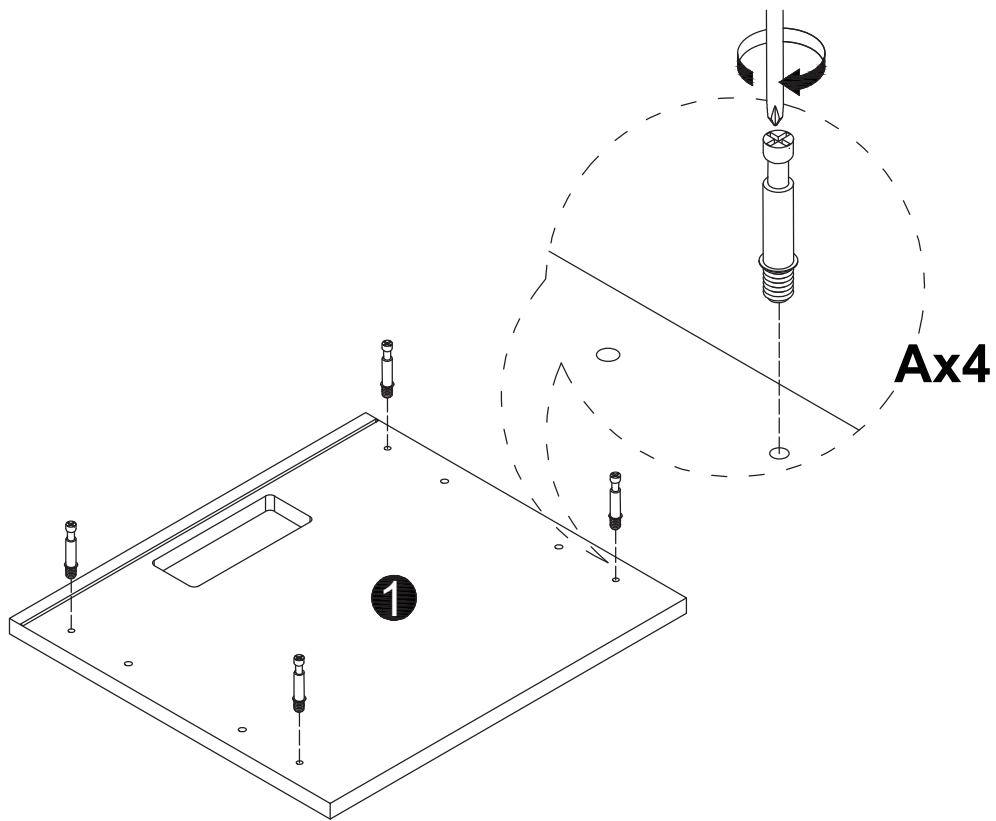


Tear off the back glue  
of the plastic fastener

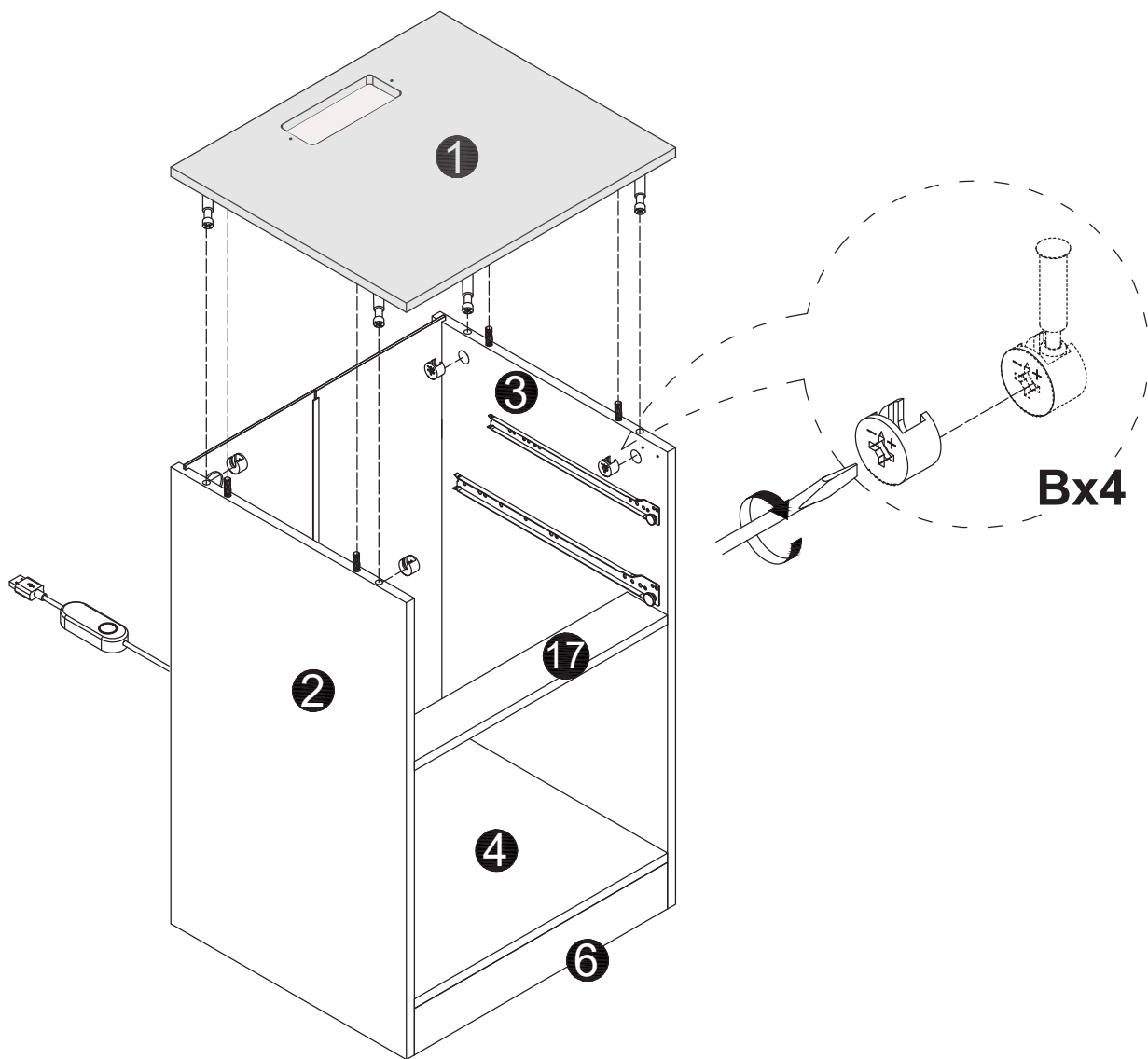
Nx1



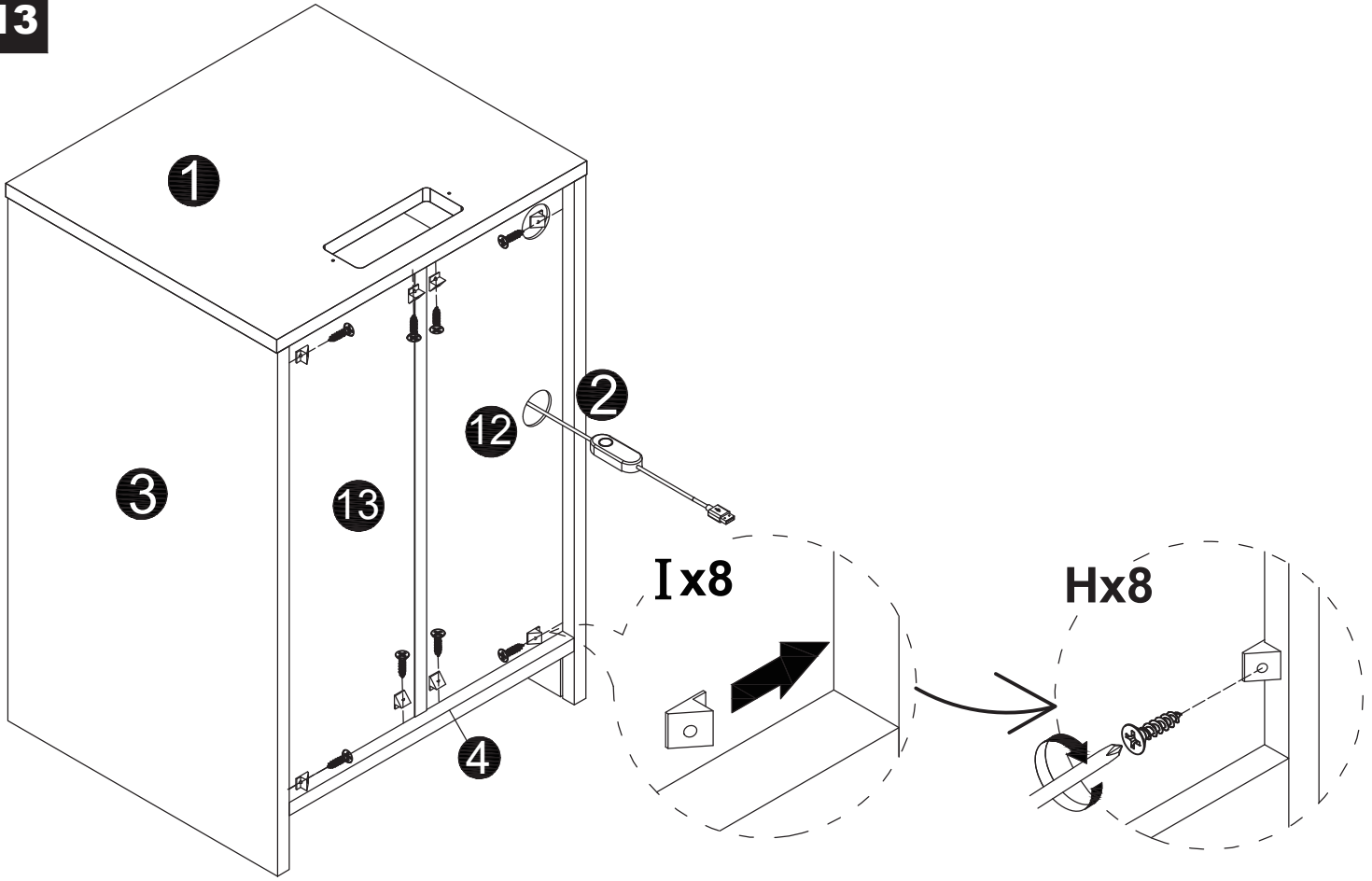
11



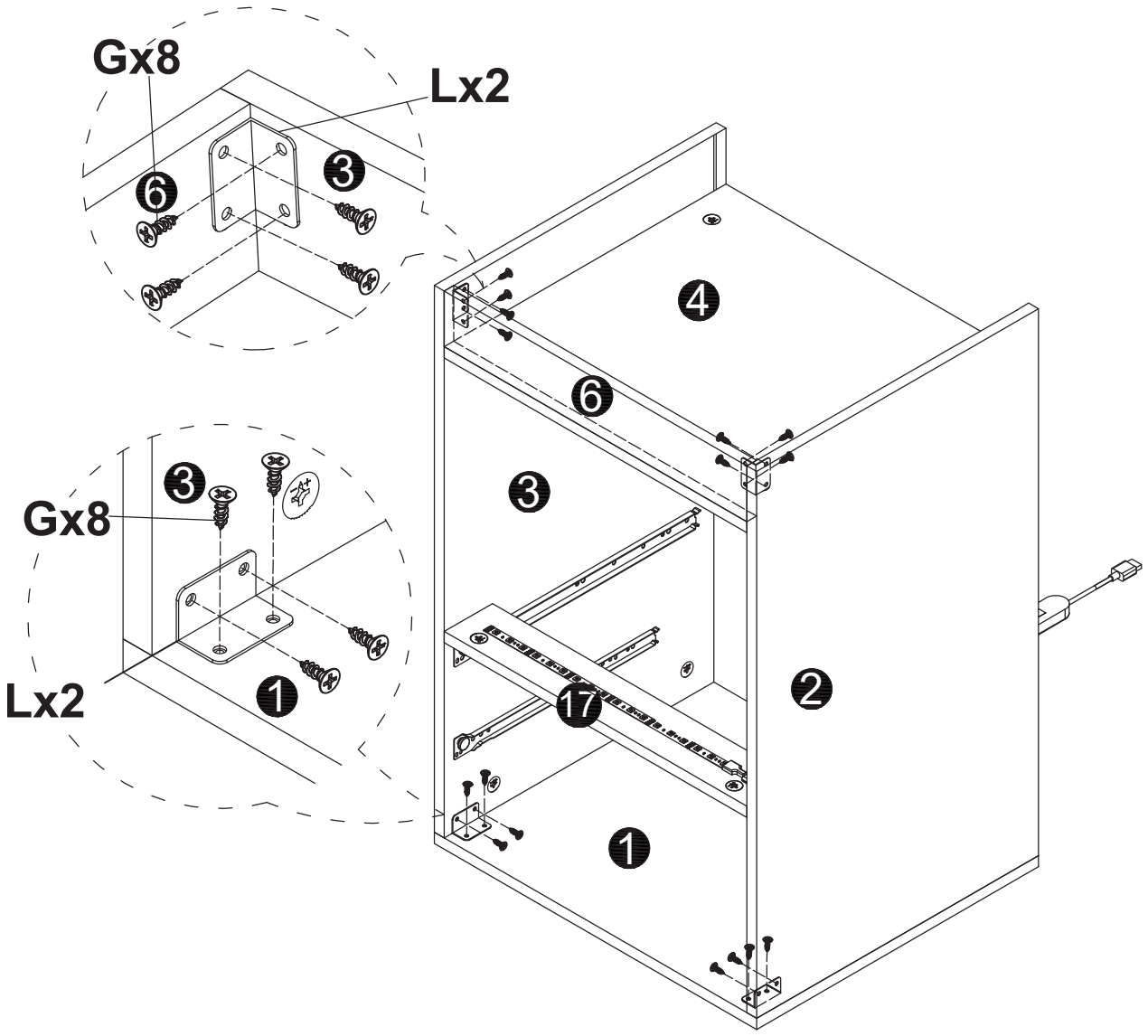
12



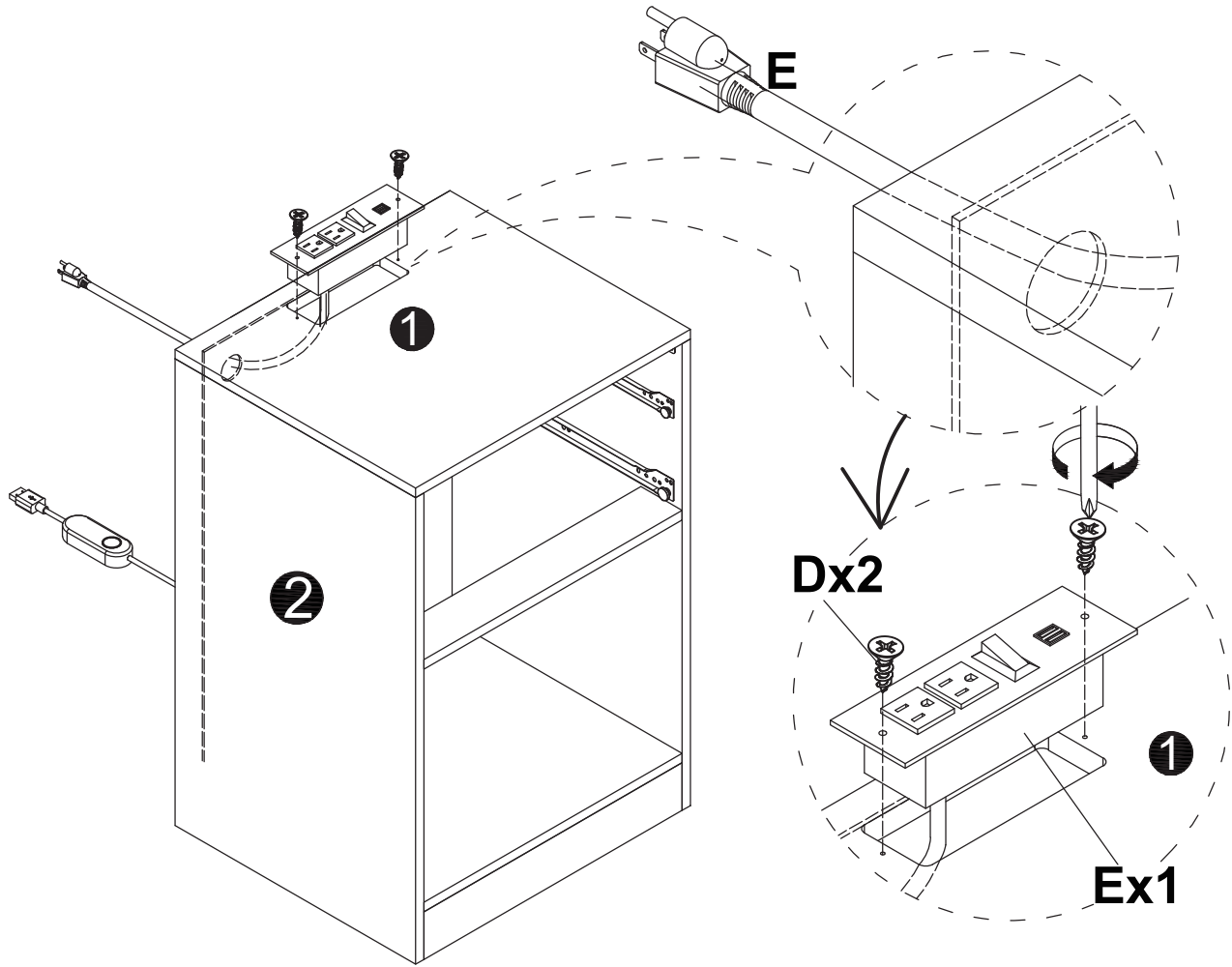
13



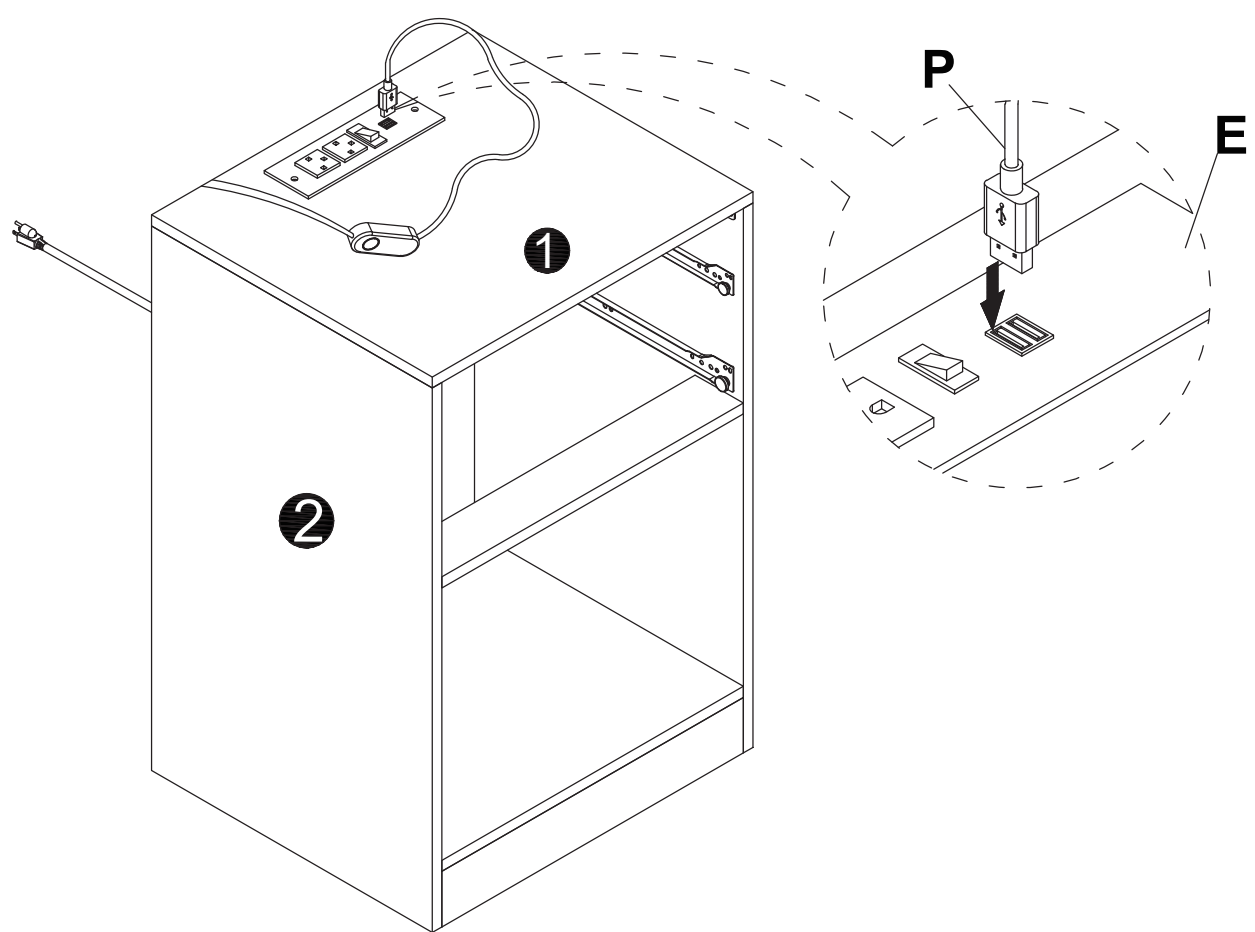
14



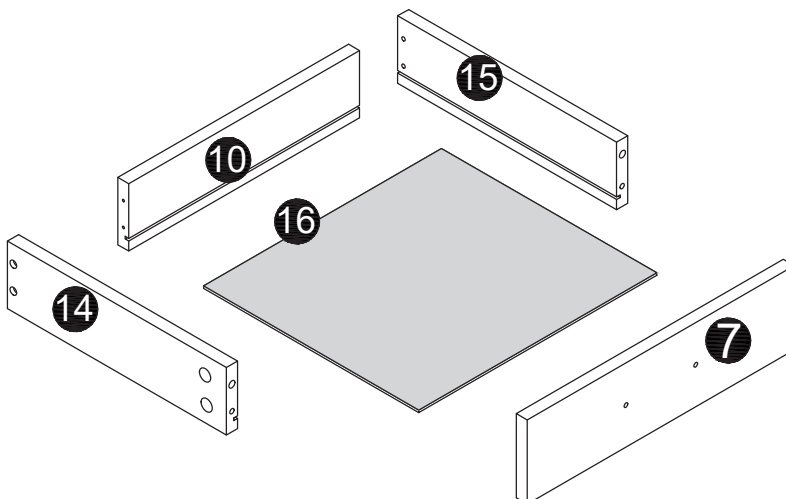
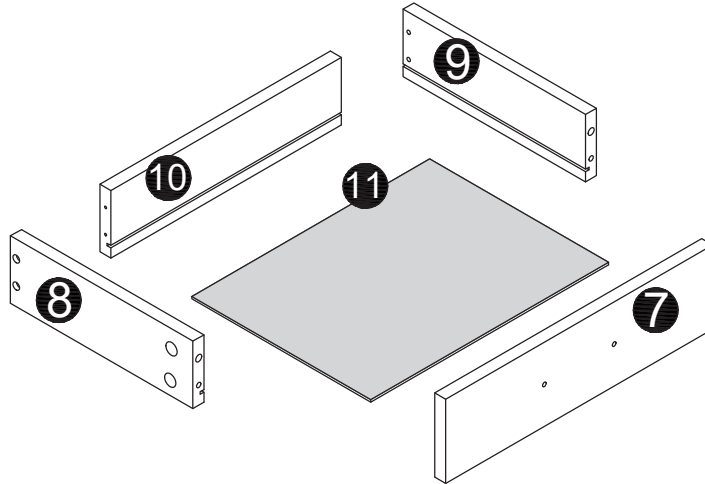
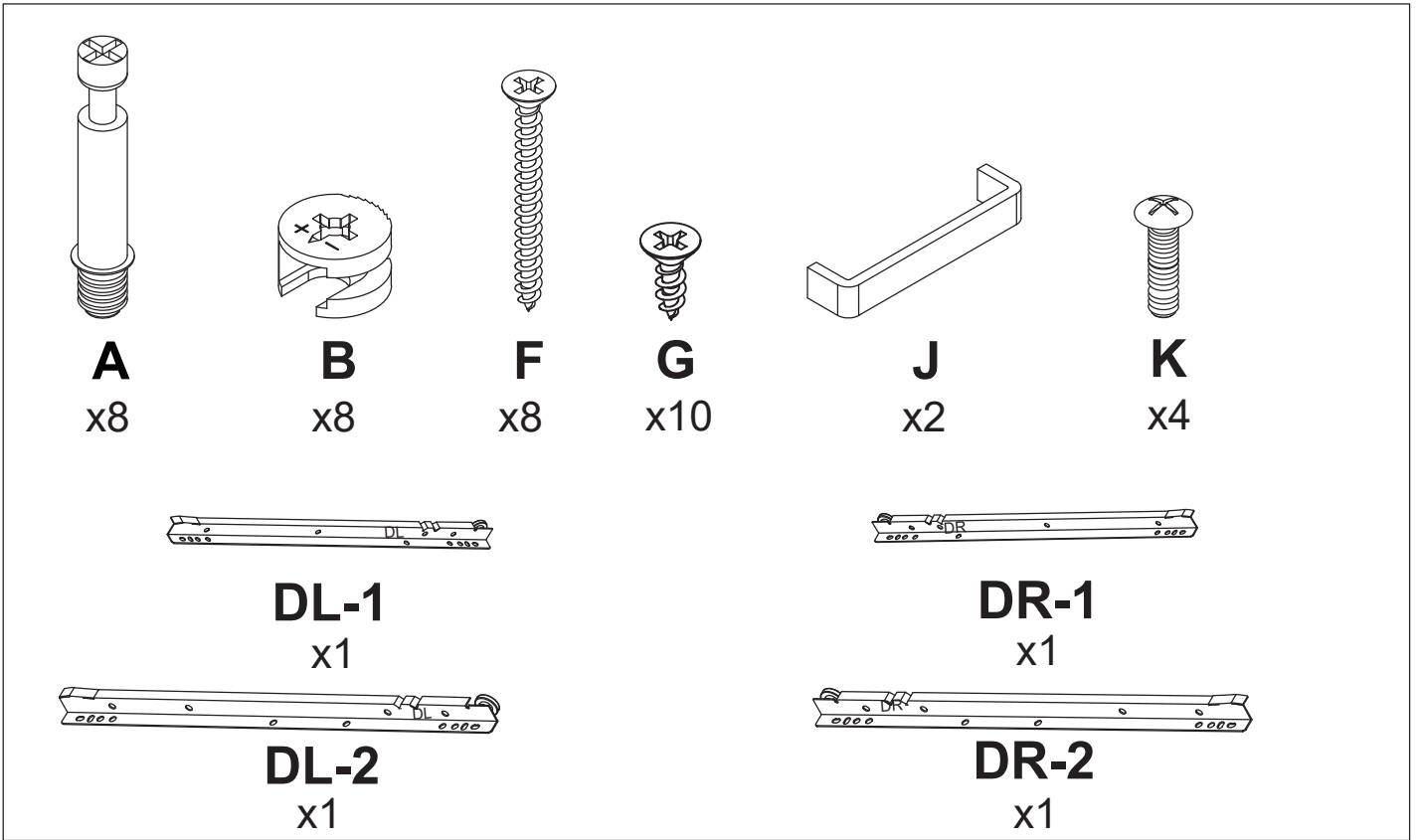
15



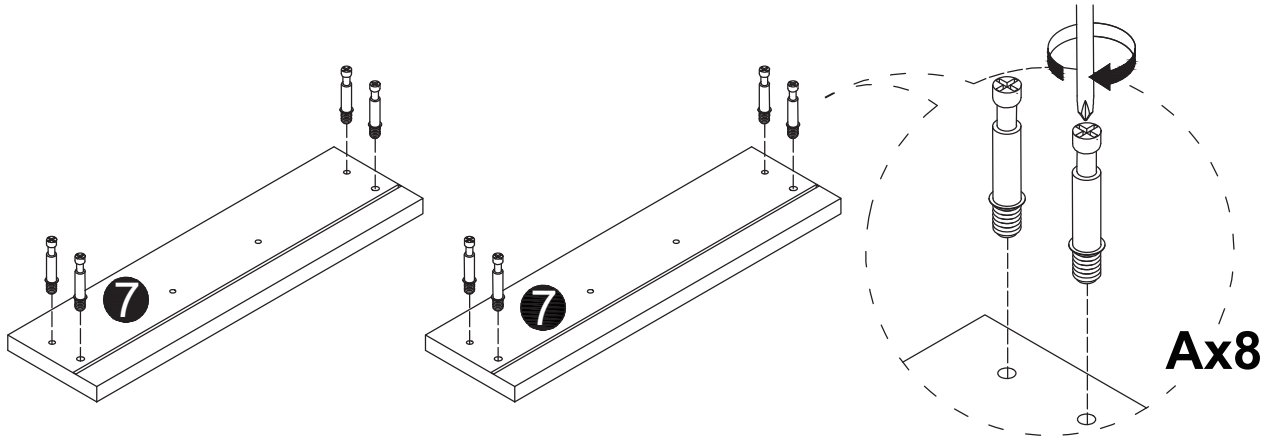
16



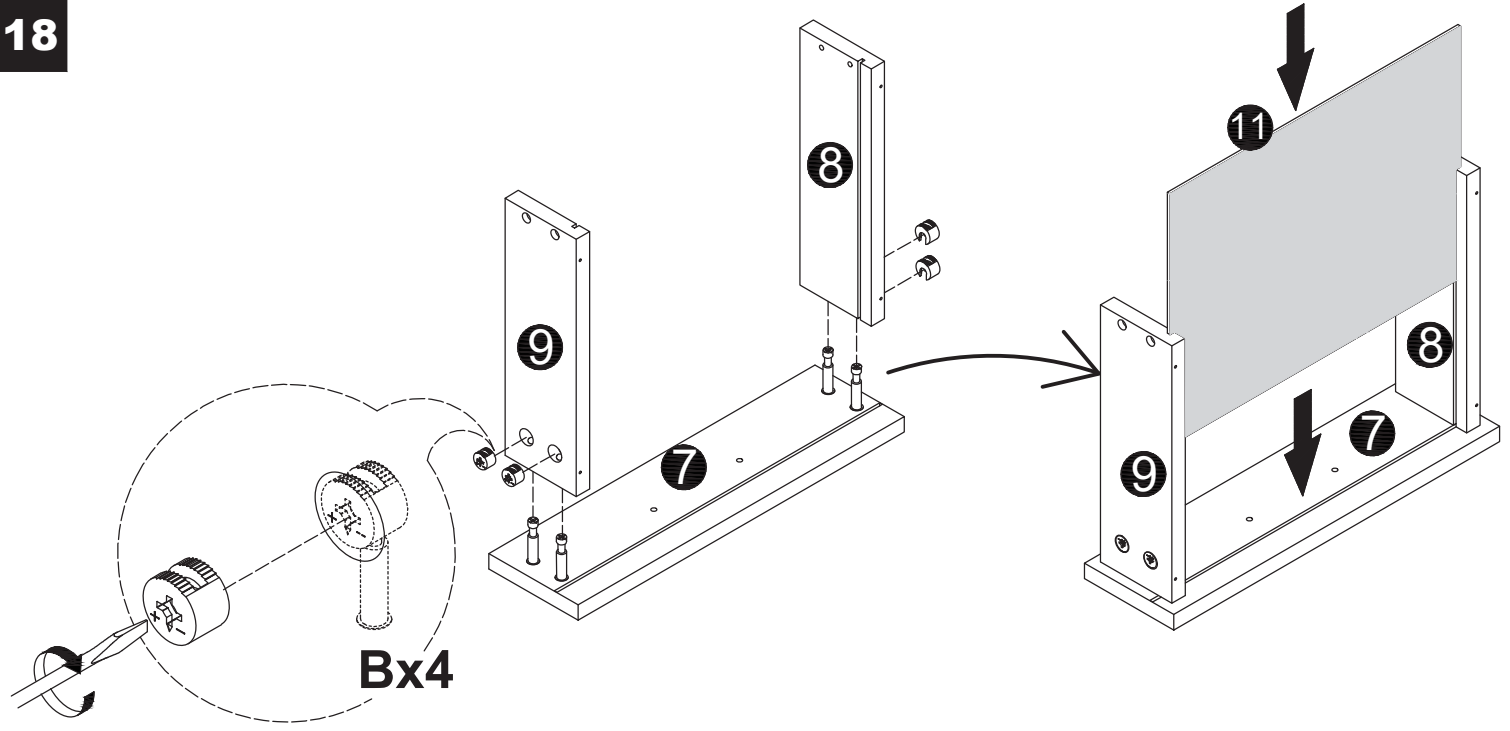
# Drawer



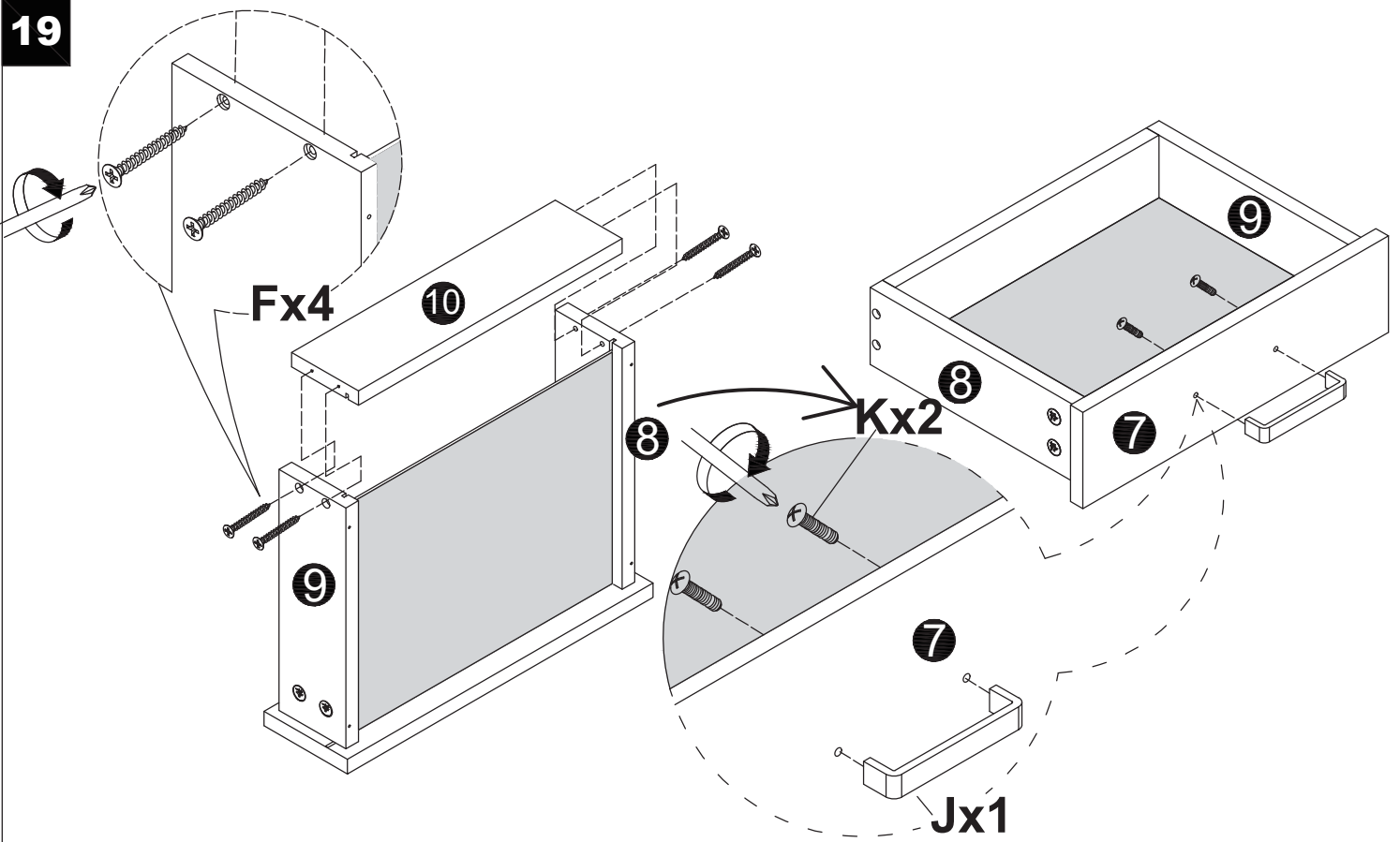
17



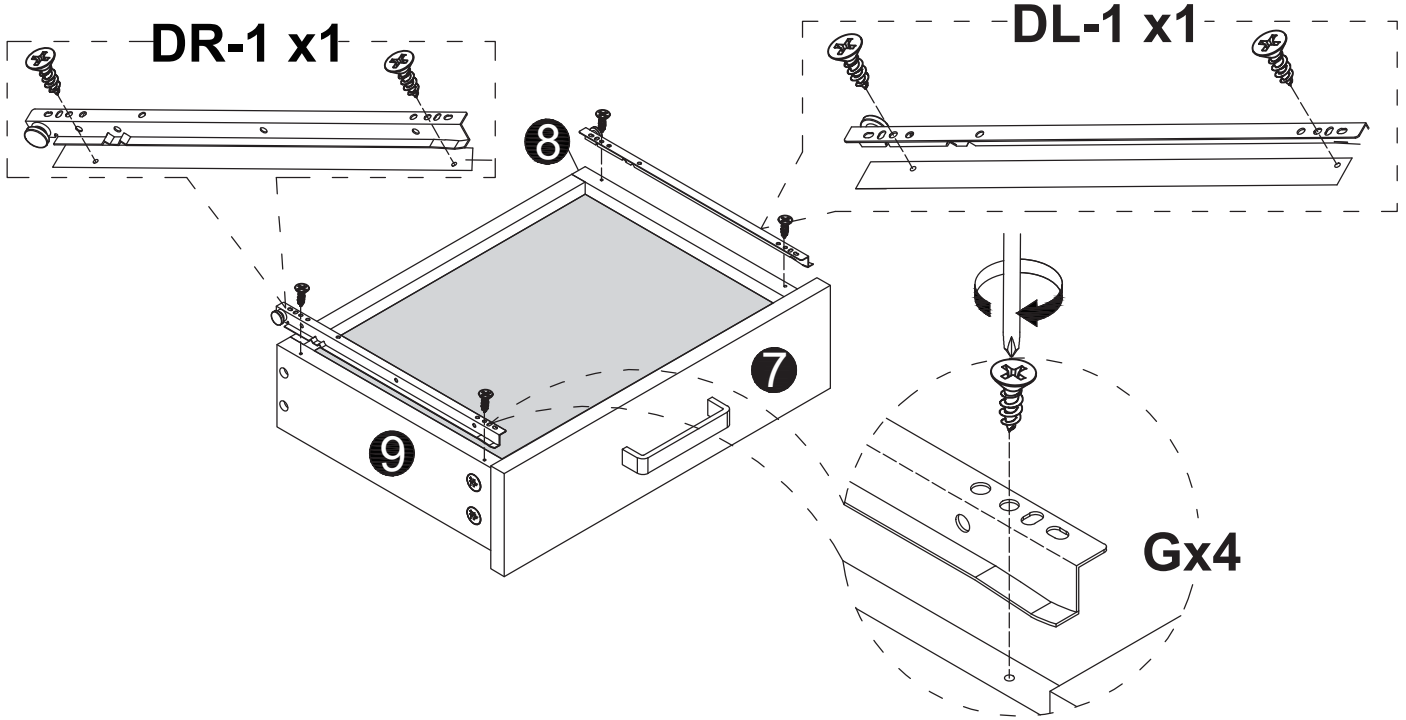
18



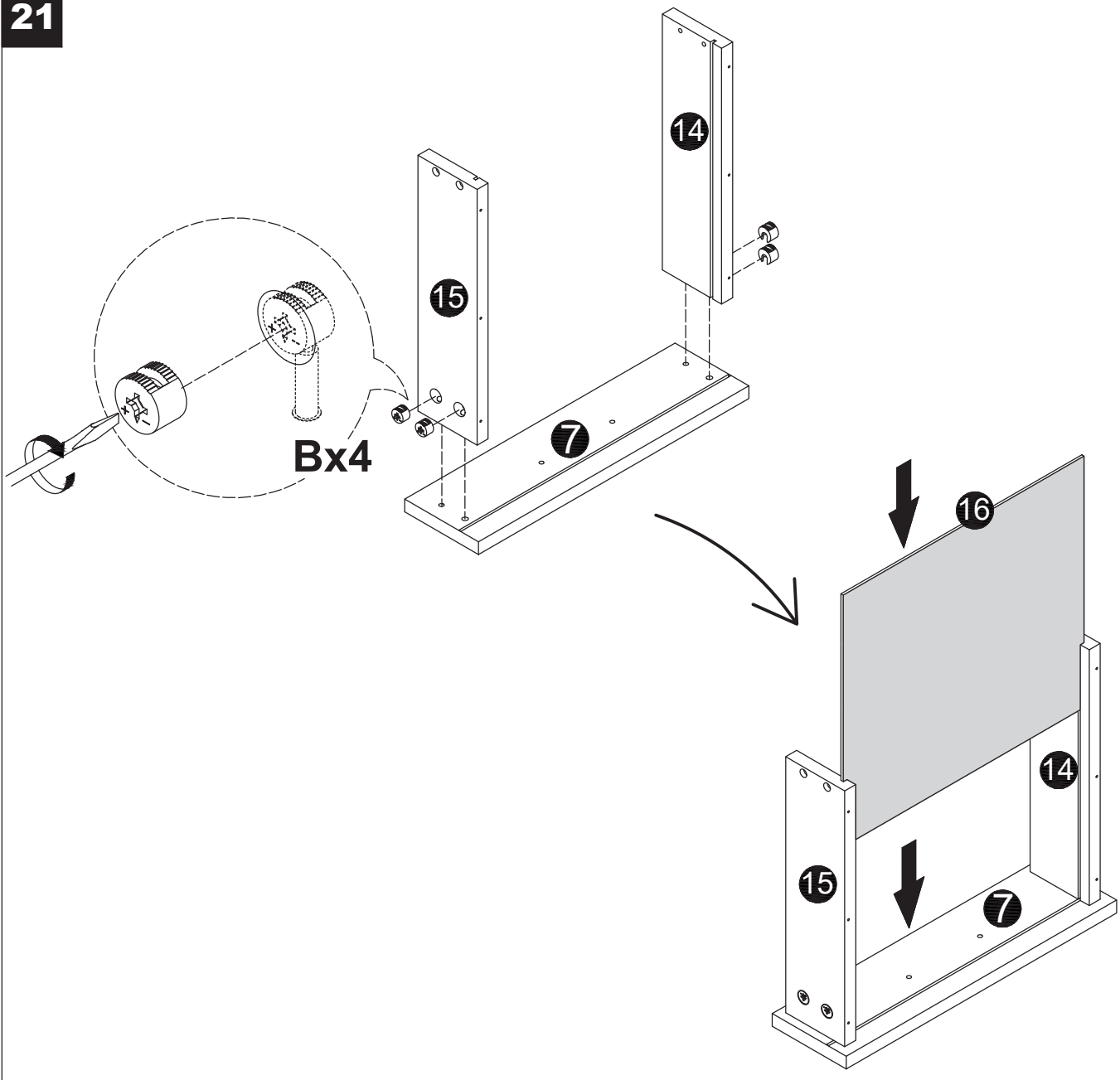
19



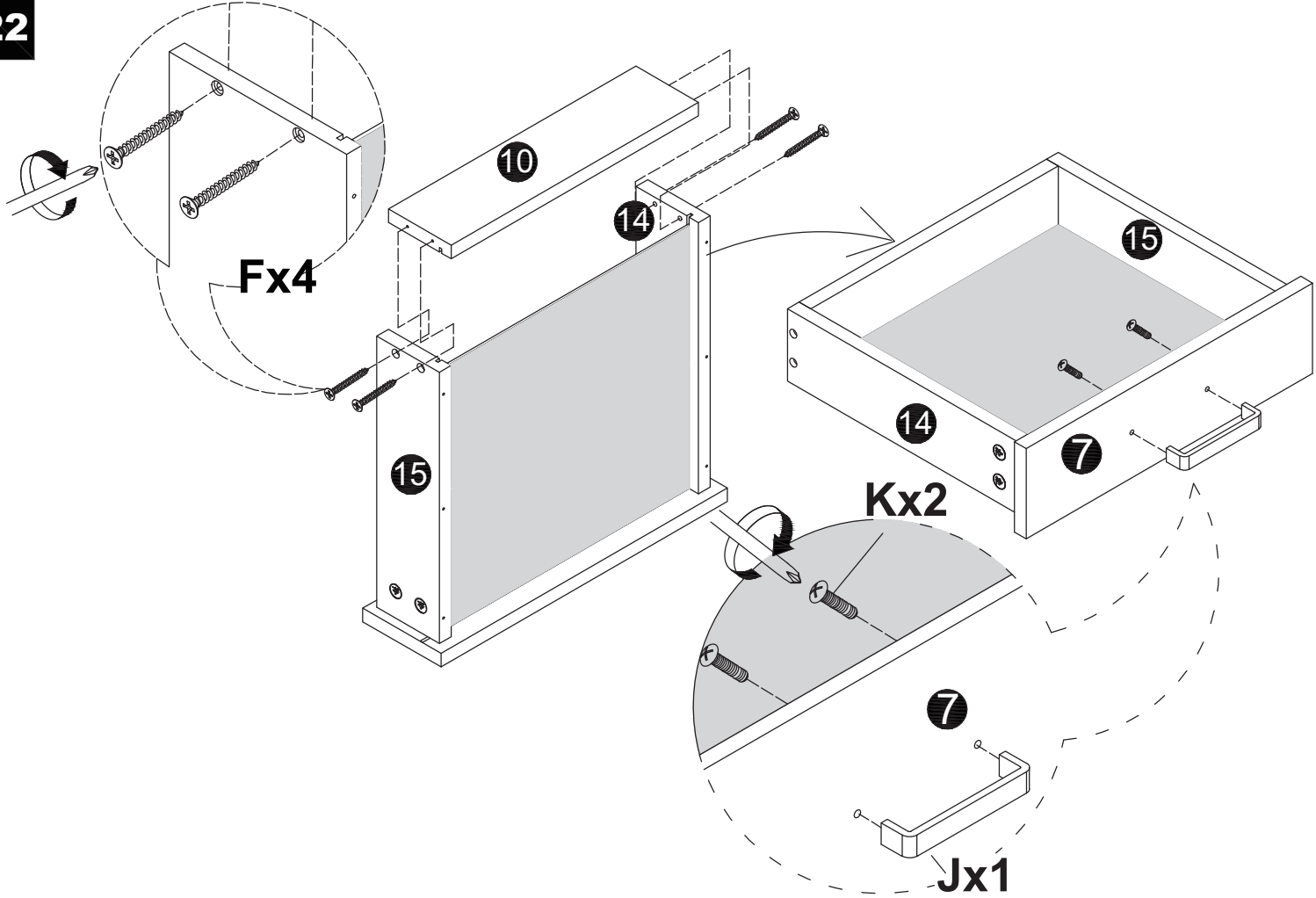
20



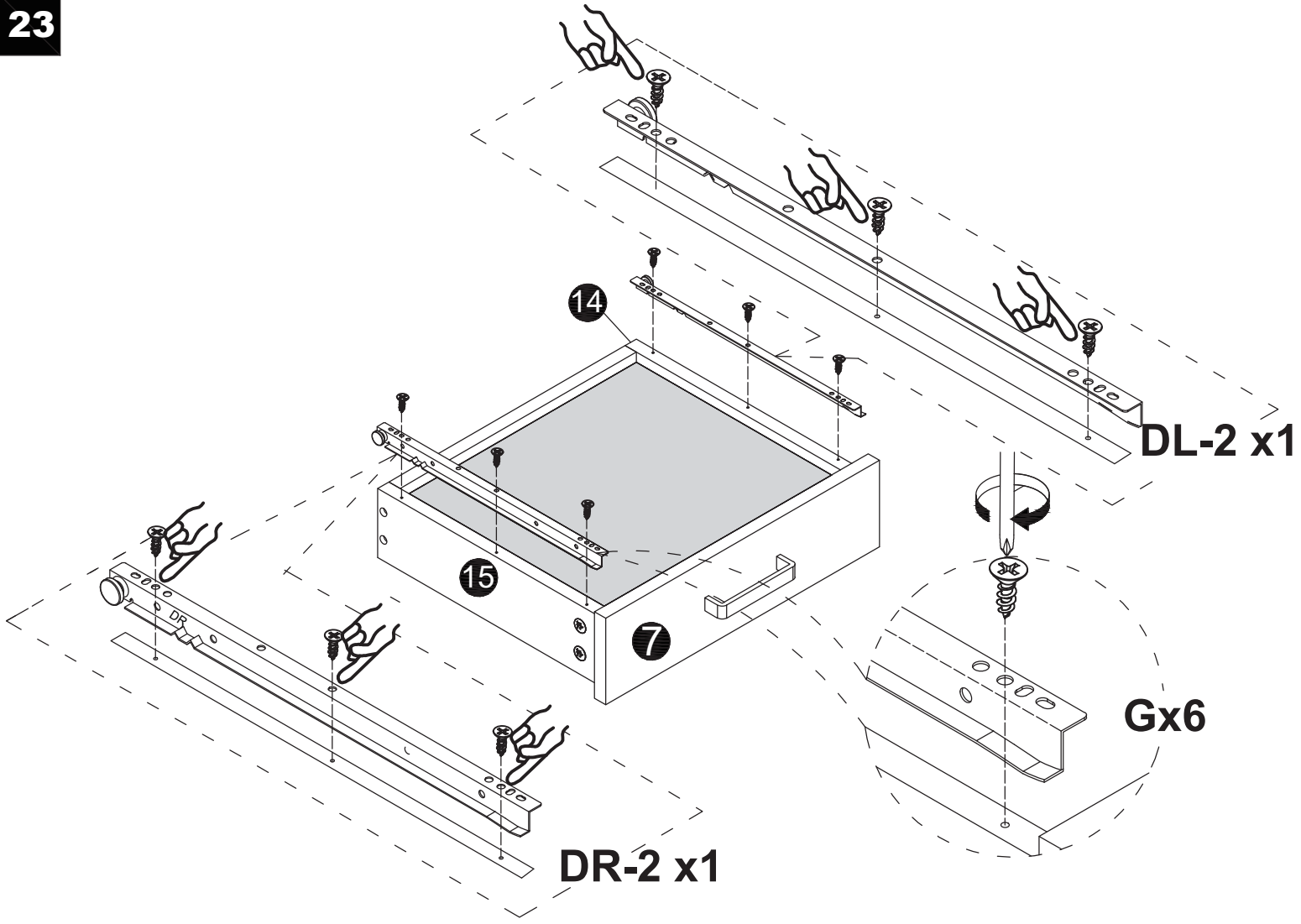
21



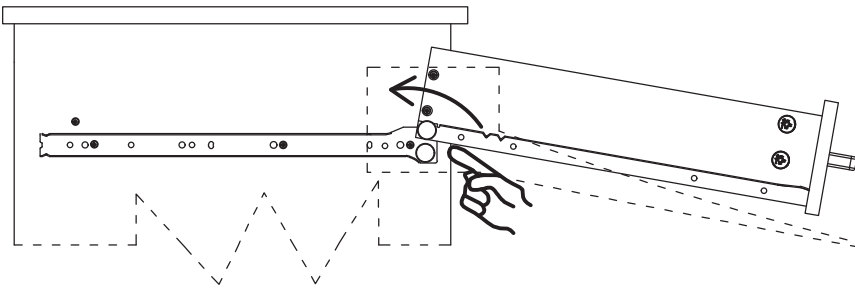
22



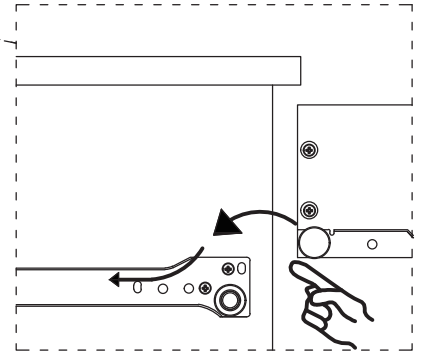
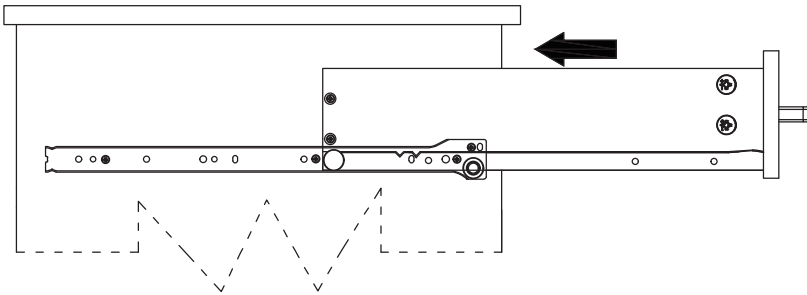
23



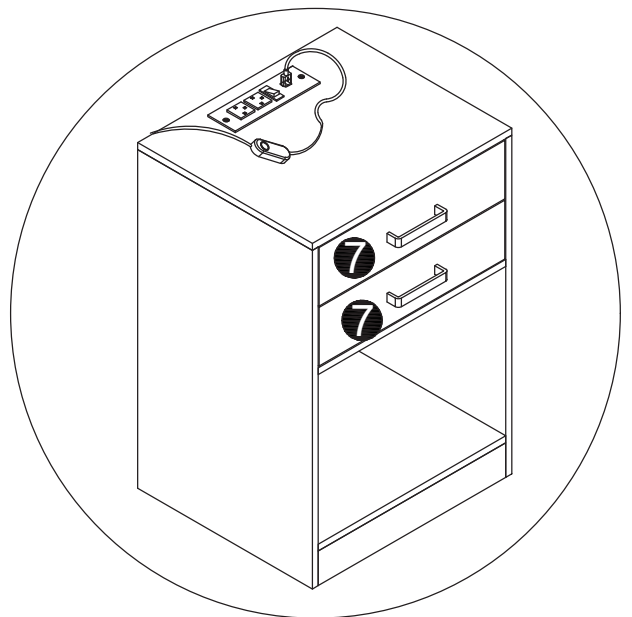
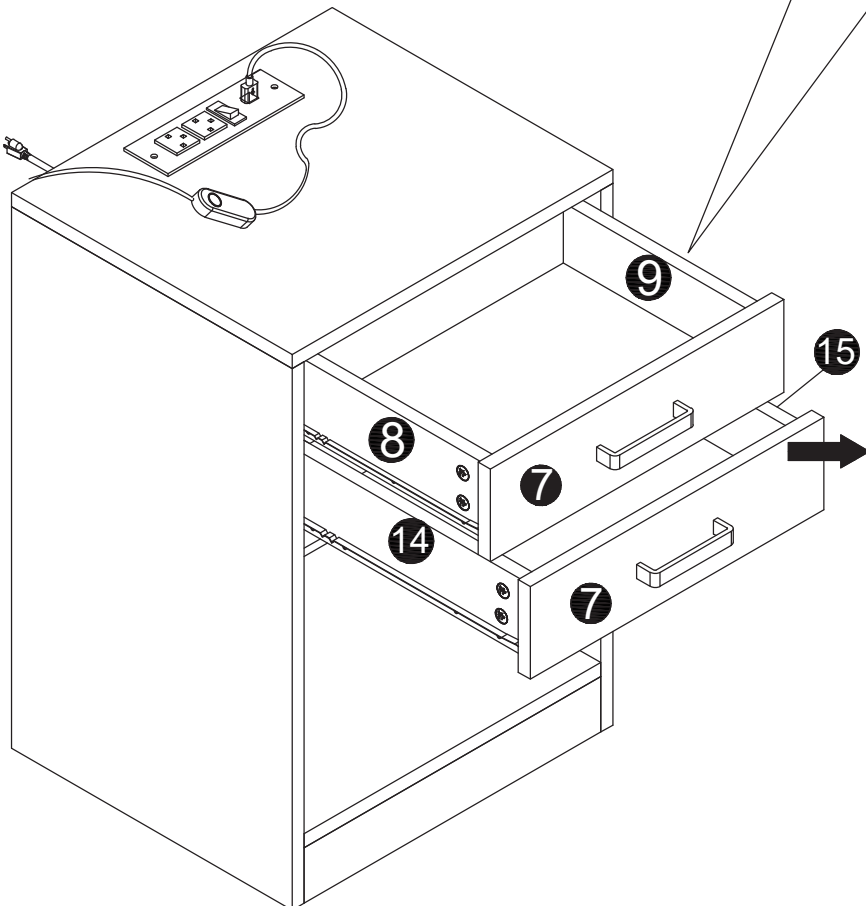
(1)



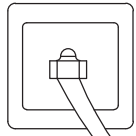
(2)



x2



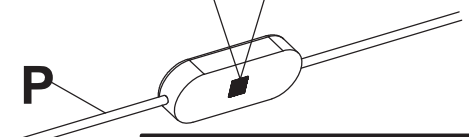
Power supply



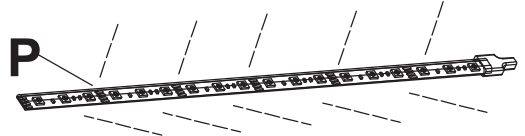
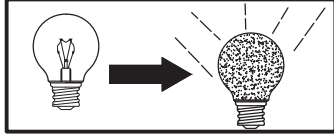
E



Scan QR Code control



P



P