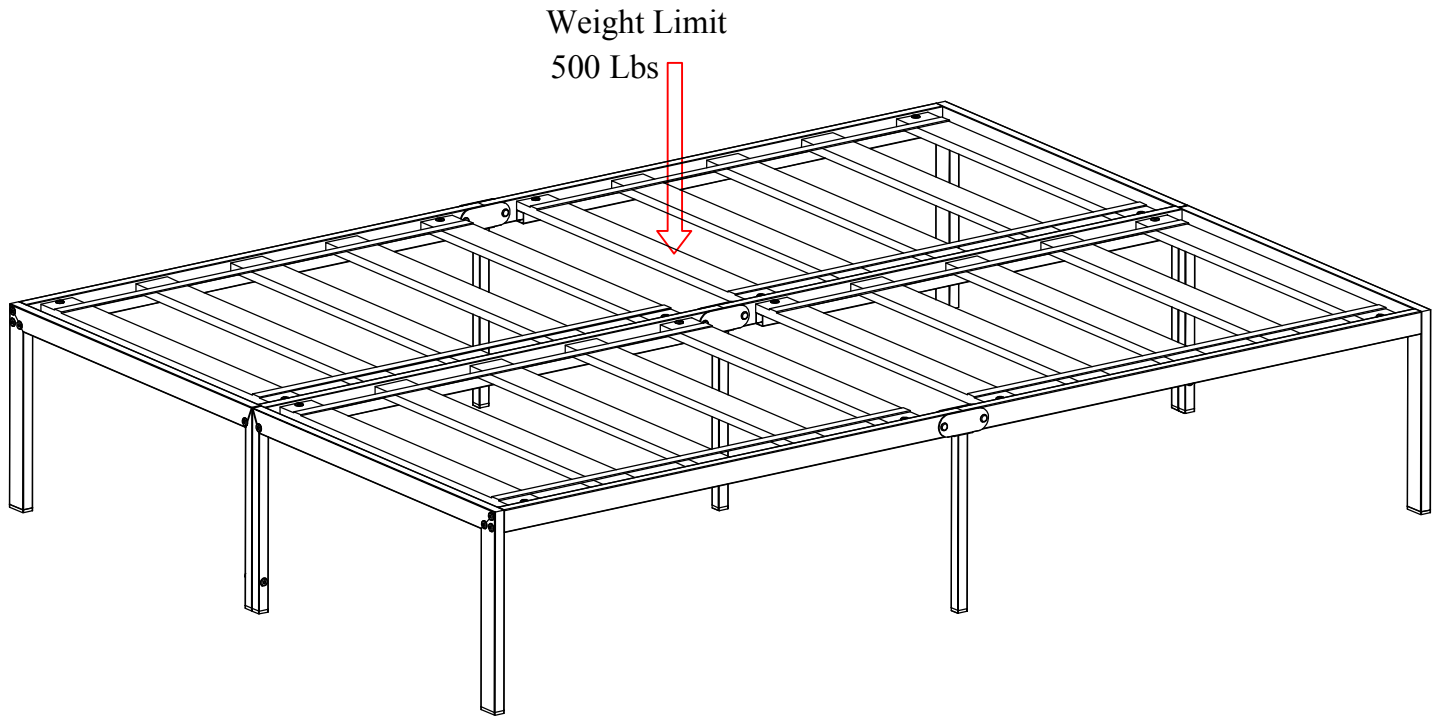
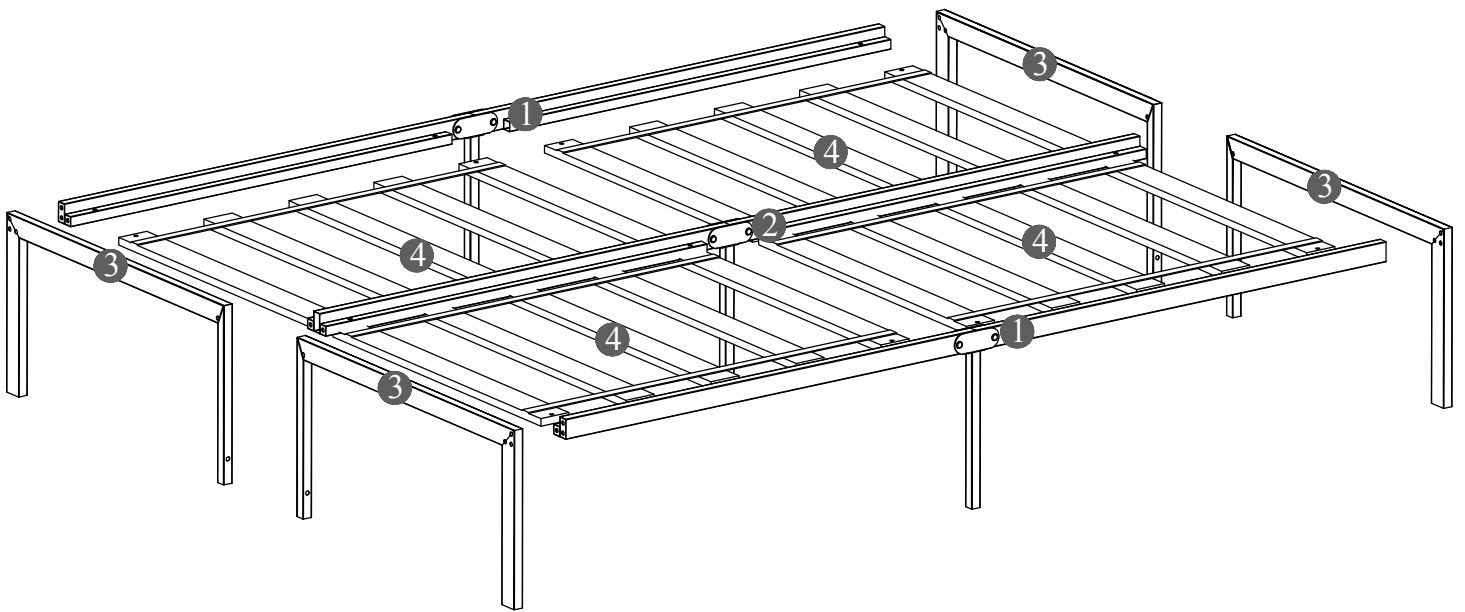


BED FRAME
ASSEMBLY INSTRUCTIONS
SKU : FU449F



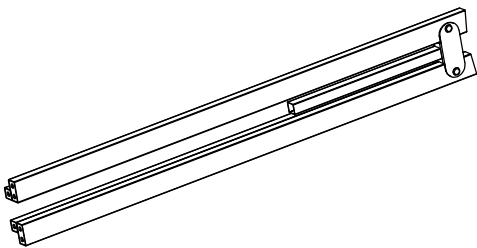
BED FRAME
ASSEMBLY INSTRUCTIONS
SKU : FU449F

DETAIL VIEW

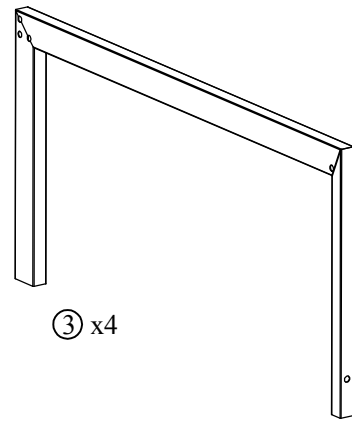


BED FRAME
ASSEMBLY INSTRUCTIONS
SKU : FU449F

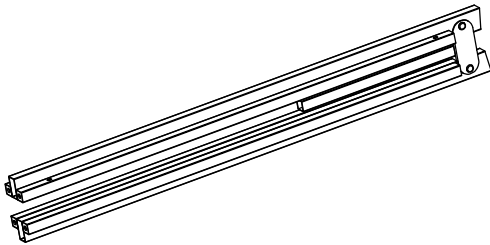
PART LIST



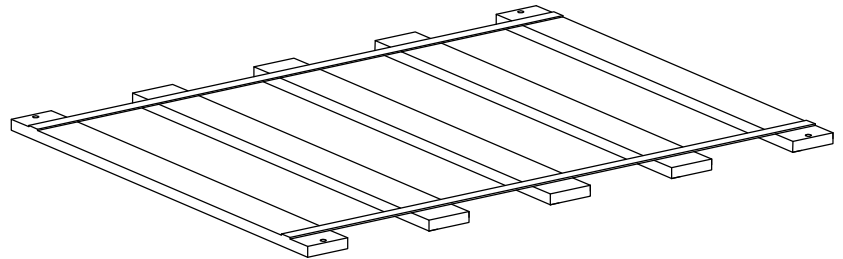
① x2



③ x4



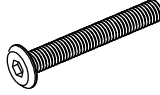
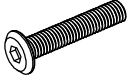
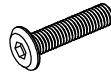

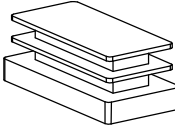
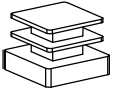
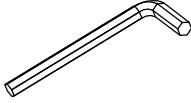
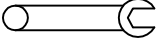
② x1



④ x4

BED FRAME
ASSEMBLY INSTRUCTIONS
SKU : FU449F

HARDWARE LIST

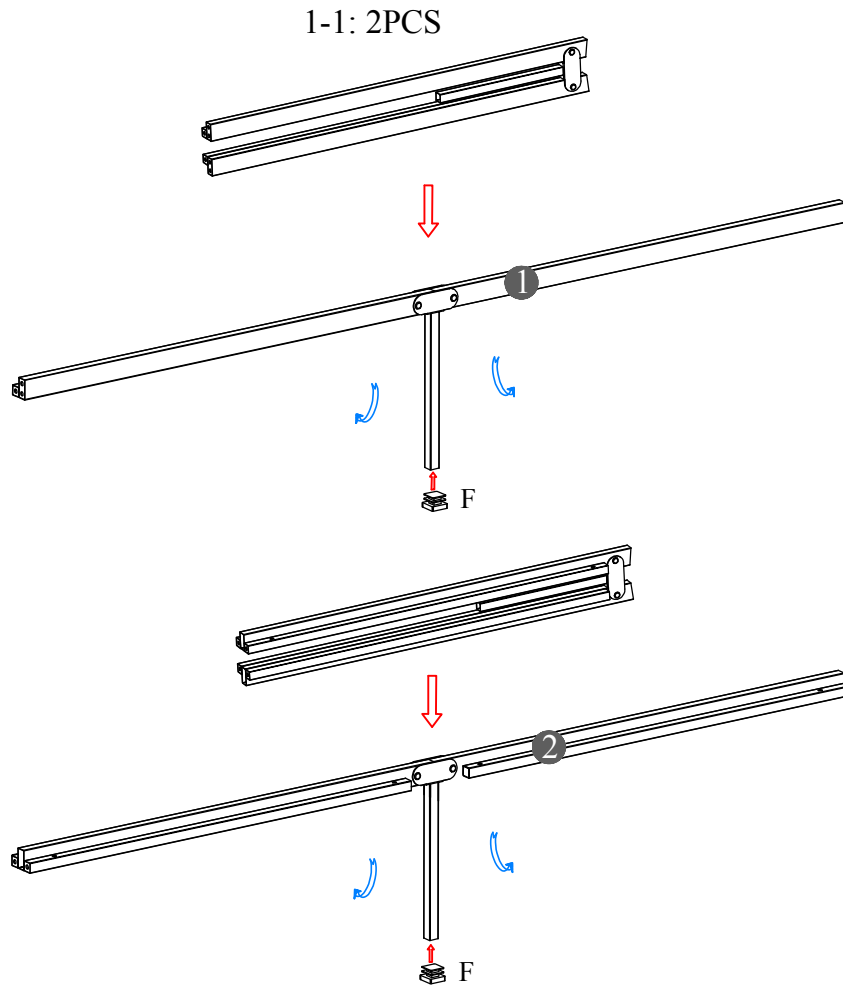
<p>Ⓐ Bolts</p>  <p style="text-align: right;">1/4"*50 2PCS</p>	<p>Ⓑ Bolts</p>  <p style="text-align: right;">1/4"*35 16PCS</p>	<p>Ⓒ Bolts</p>  <p style="text-align: right;">1/4"*30 16PCS</p>
<p>Ⓓ Hex nut</p>  <p style="text-align: right;">1/4"*5 2PCS</p>	<p>Ⓔ End cap</p>  <p style="text-align: right;">40*20 4PCS</p>	
<p>Ⓕ End cap</p>  <p style="text-align: right;">20*20 7PCS</p>	<p>Ⓖ Allen key</p>  <p style="text-align: right;">4*59 1PC</p>	<p>Ⓗ Wrench</p>  <p style="text-align: right;">1PC</p>

SAFETY WARNINGS AND GENERAL NOTES:

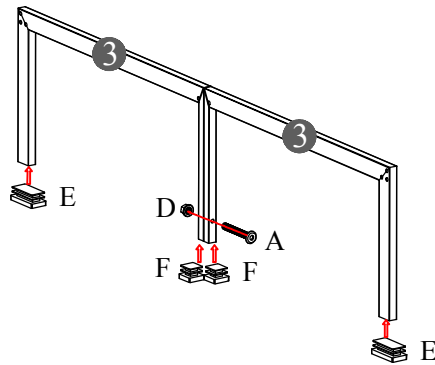
- ⚠ Keep desiccant, hardware packs and small components away from children, avoid eating and injuring.
- ⚠ Please do follow assembly steps.
- ⚠ Please do not lock any screws before each assembling unit is well placed in appropriate position.
- ⚠ Please do make sure all components are firmly locked after assembly and before use to avoid any potential safety hazard.
- ⚠ Please do use product correctly by it's origin purpose to avoid any danger happened.
- ⚠ Please do not stand on any part of components, except the ladder of this product after complete assembly.
- ⚠ If product is required to lock on the wall, please do so in case of any safety hazard happened before use.
- ⚠ Please check all contents of this product inside the carton (s) carefully, small parts may lost during shipment, if any of this happened, please contact the retailer from who you purchased this product to obtain replacement, do not use any substitute items.
- ⚠ This assembly instructions booklet contains important safety information, please read carefully before assembly and keep for further reference.
- ⚠ Due to the height of the product, slight wobbly is normal, please use provided parts to attached product on the wall for safety reason.
 Maximum bearing weight for this product is designed under evenly distributed not for single point. Please do not jump, step or give hard pressure on single point to avoid product damage.
 Product name : Full Bed overall loading: 350 LBS (maximum)

BED FRAME ASSEMBLY INSTRUCTIONS SKU : FU449F

STEP 1 :



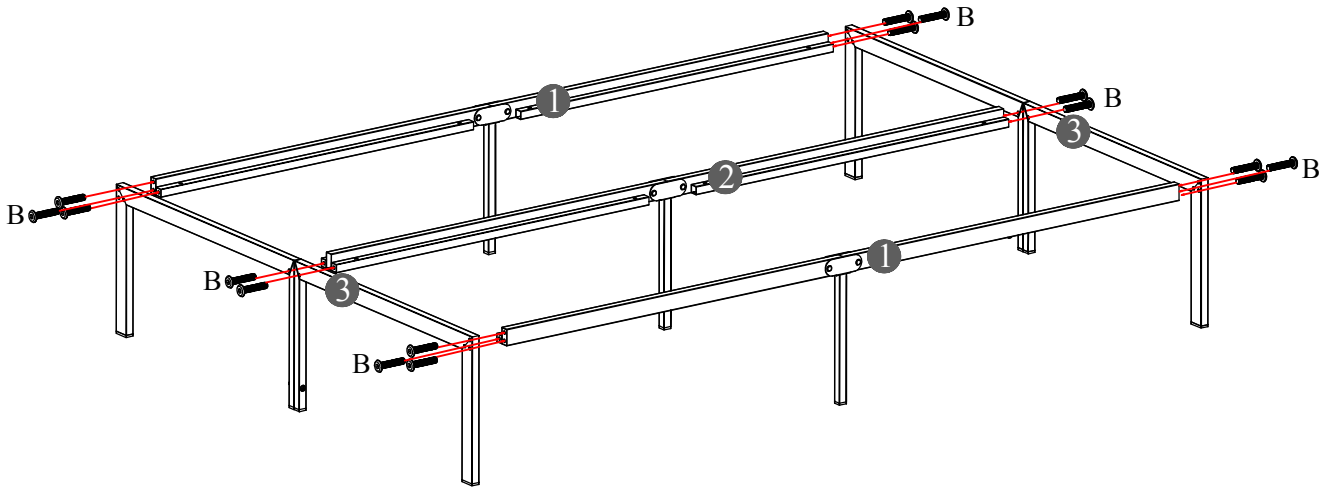
STEP 2 : 2 SET



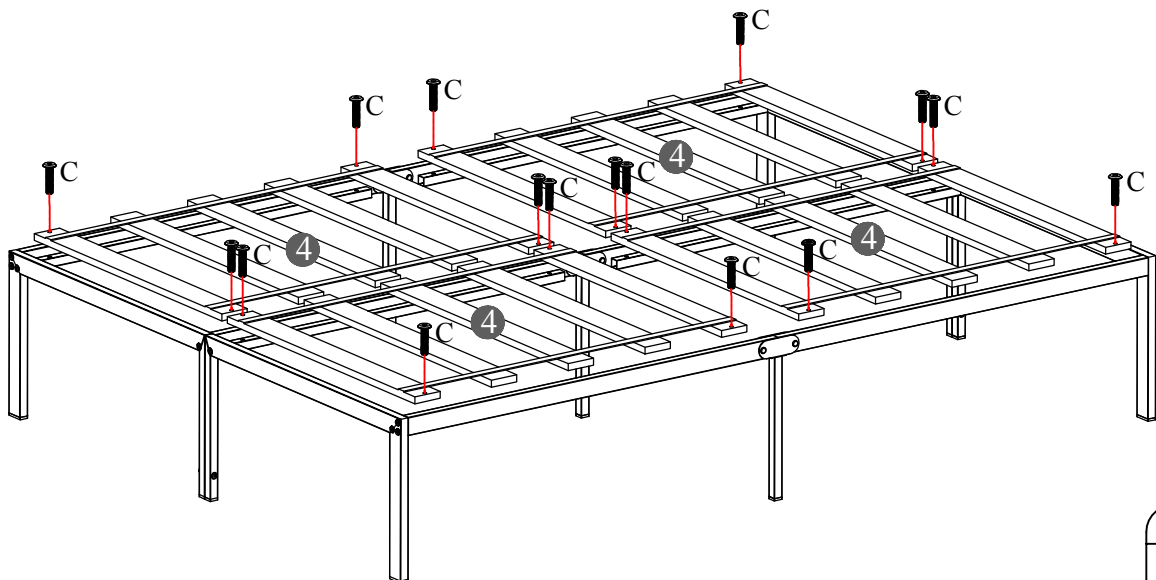
Ⓐ	2PCS
	1/4*50
Ⓓ	2PCS
Ⓔ	4PCS
	40*20
Ⓕ	7PCS
	20*20
Ⓖ	1PC
Ⓖ	1PC
	4*59




BED FRAME
ASSEMBLY INSTRUCTIONS
SKU : FU449F

STEP 3 :



STEP 4 :



(B)	16PCS
	1/4*35
(C)	16PCS
	1/4*30
(G)	1PC
	4*59