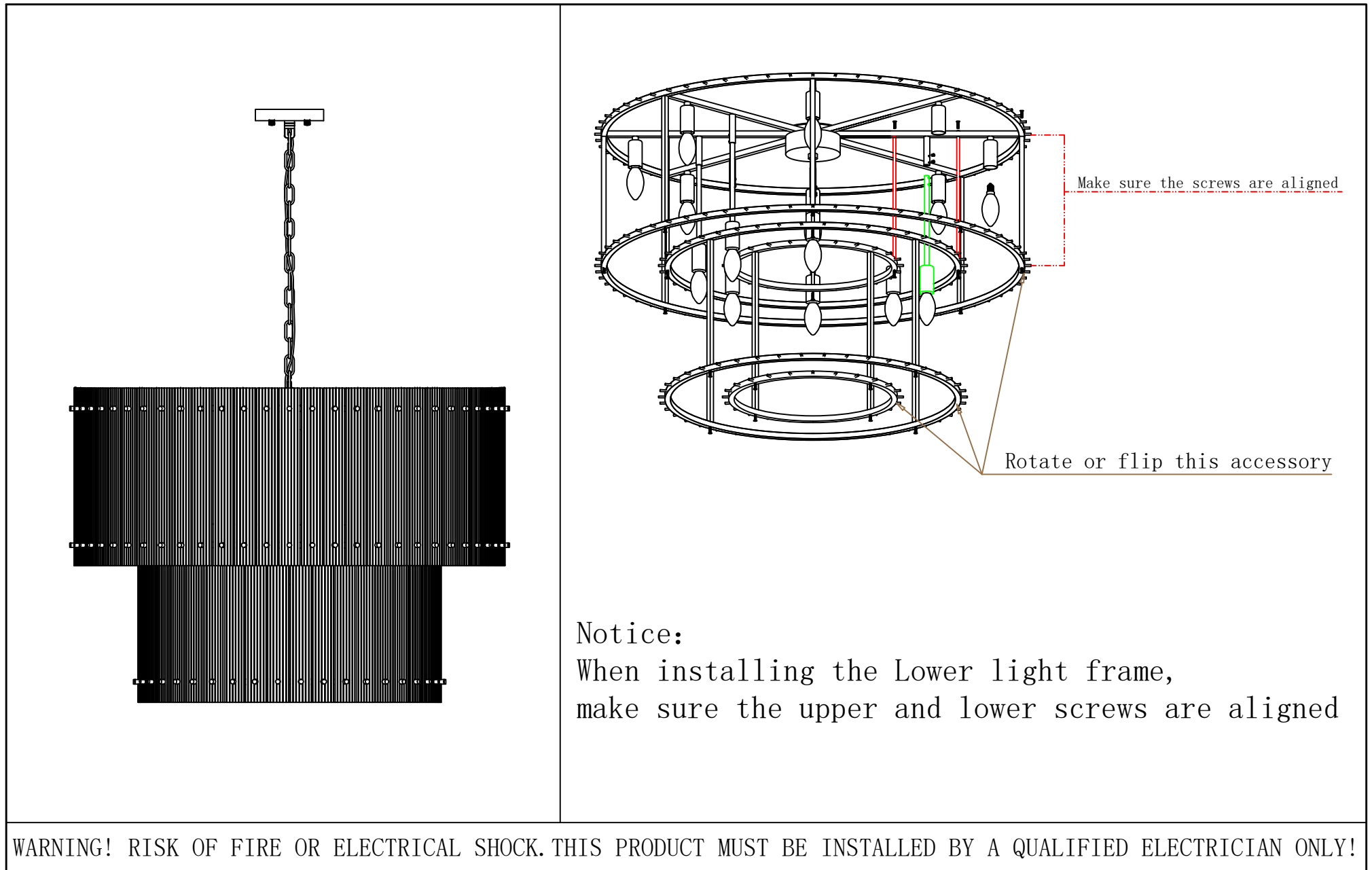
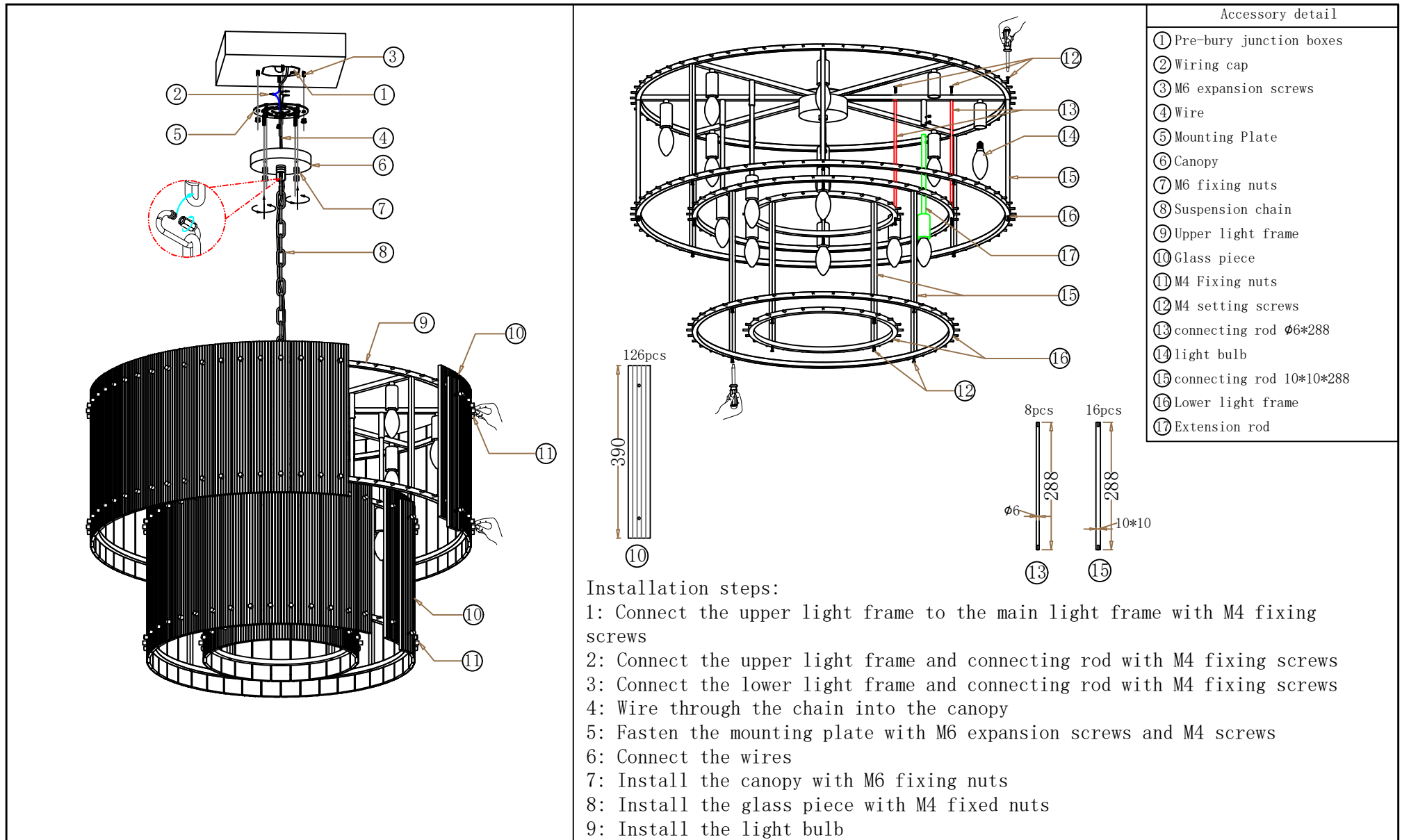


# INSTALLATION DRAWING



# INSTALLATION DRAWING



**WARNING! RISK OF FIRE OR ELECTRICAL SHOCK. THIS PRODUCT MUST BE INSTALLED BY A QUALIFIED ELECTRICIAN ONLY!**