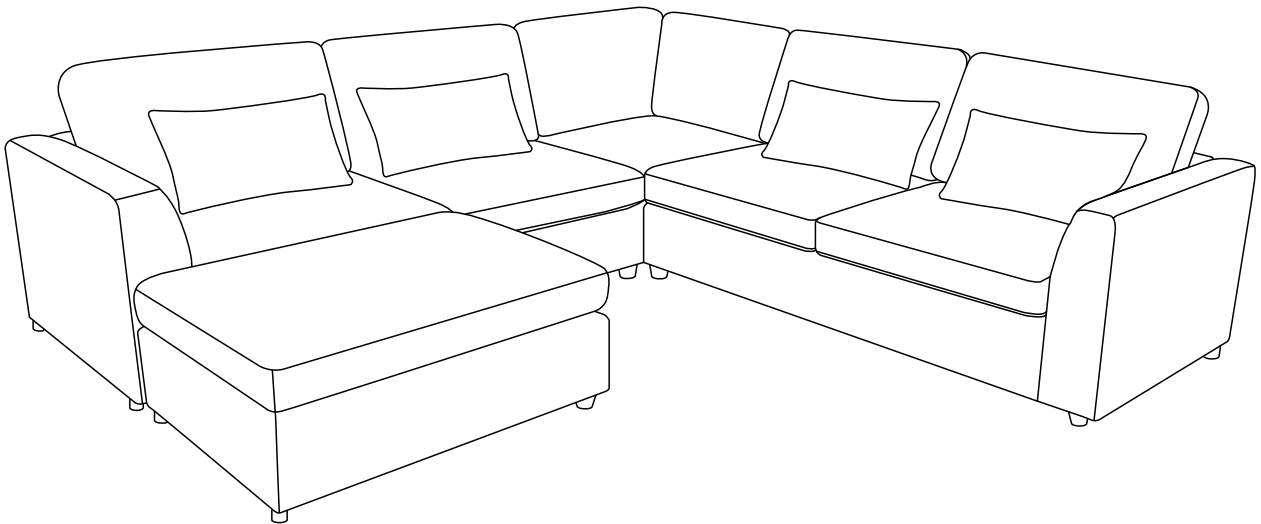


ASSEMBLY INSTRUCTIONS

Corner Sectional



TIME



2 OF PEOPLE



DIFFICULTY

NOTICE

Instruction Booklet - Important Safety Information

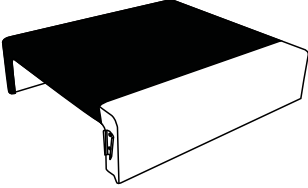
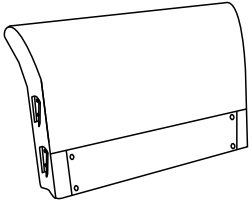
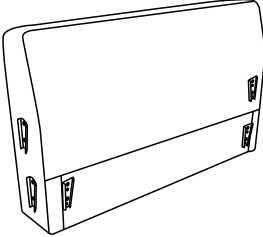
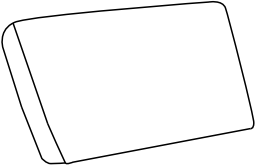
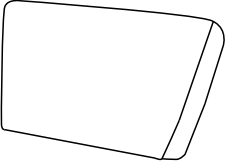
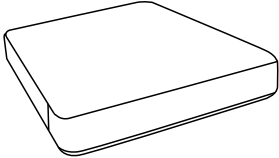
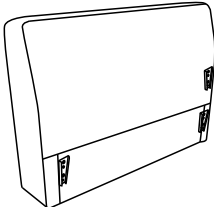
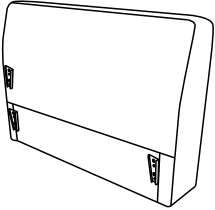




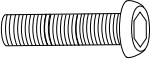


Thank you for choosing our product. Please review this booklet carefully for essential safety information and keep it for future reference.

- Upon receiving the product, ***ensure all parts are present and intact*** before proceeding with installation. Follow the entire installation instructions provided.
- During installation, exercise caution and refrain from immediately tightening screws. Secure all screws to 80% before final tightening.



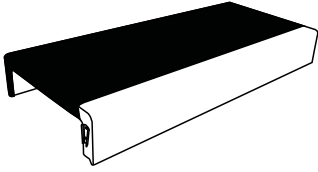
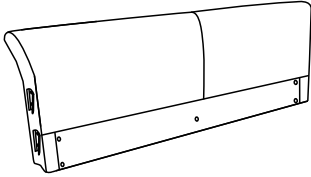
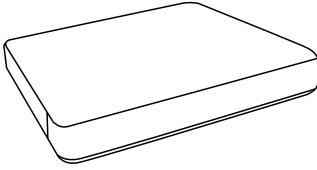

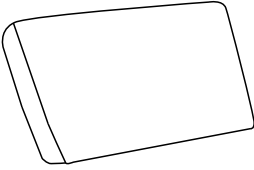
Carton 1

Materials

			
Seat ① x1	Backrest ② x1	Handrail ③ x1	Back Cushion ④ x1
			
Back Cushion ⑤ x1	Cushion ⑥ x1	Armrest ⑦ x1	Armrest ⑧ x1
			
Seat ⑨ x1	Cushion ⑩ x1	Plastic gasket ⑪ x16	Sofa Feet ⑫ x16
			
M8x45mm Ax14	2.2*0.8*0.15 Bx14	Cx1	

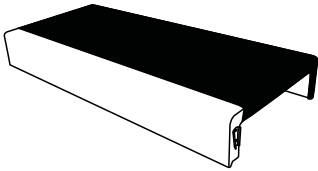
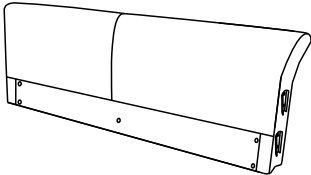
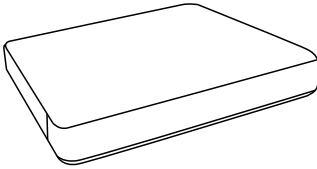

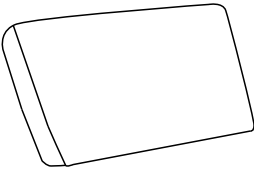
Carton 2

Materials

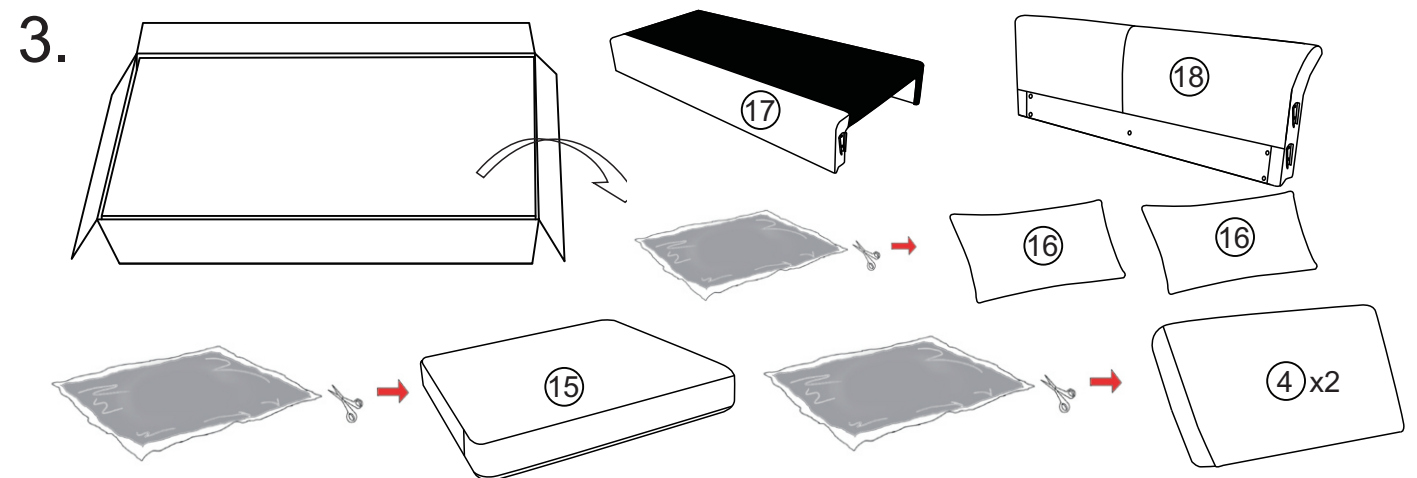
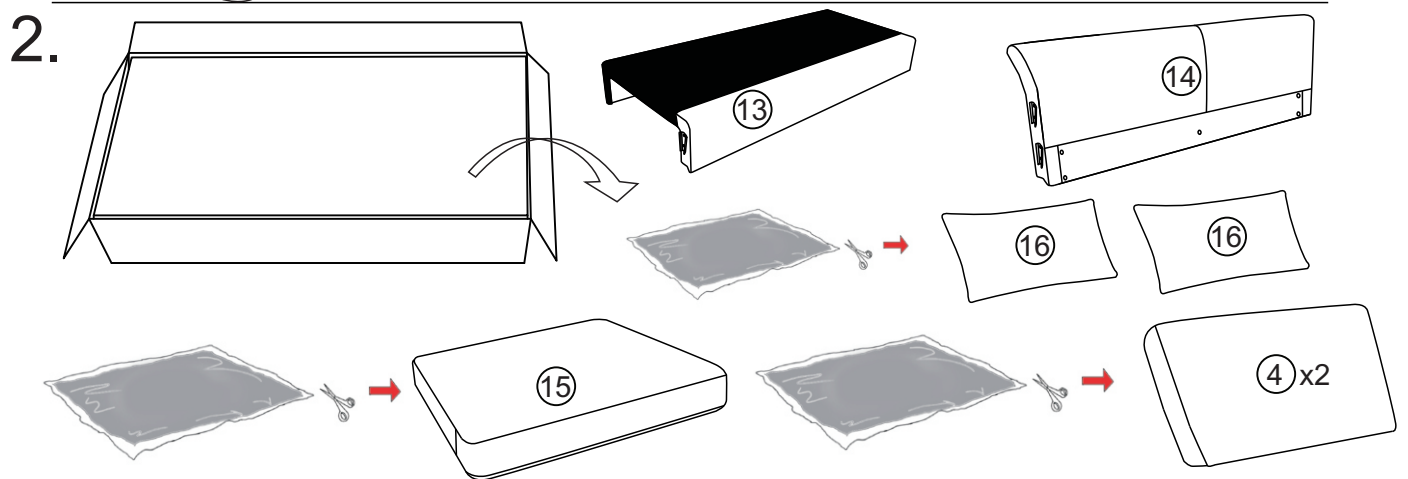
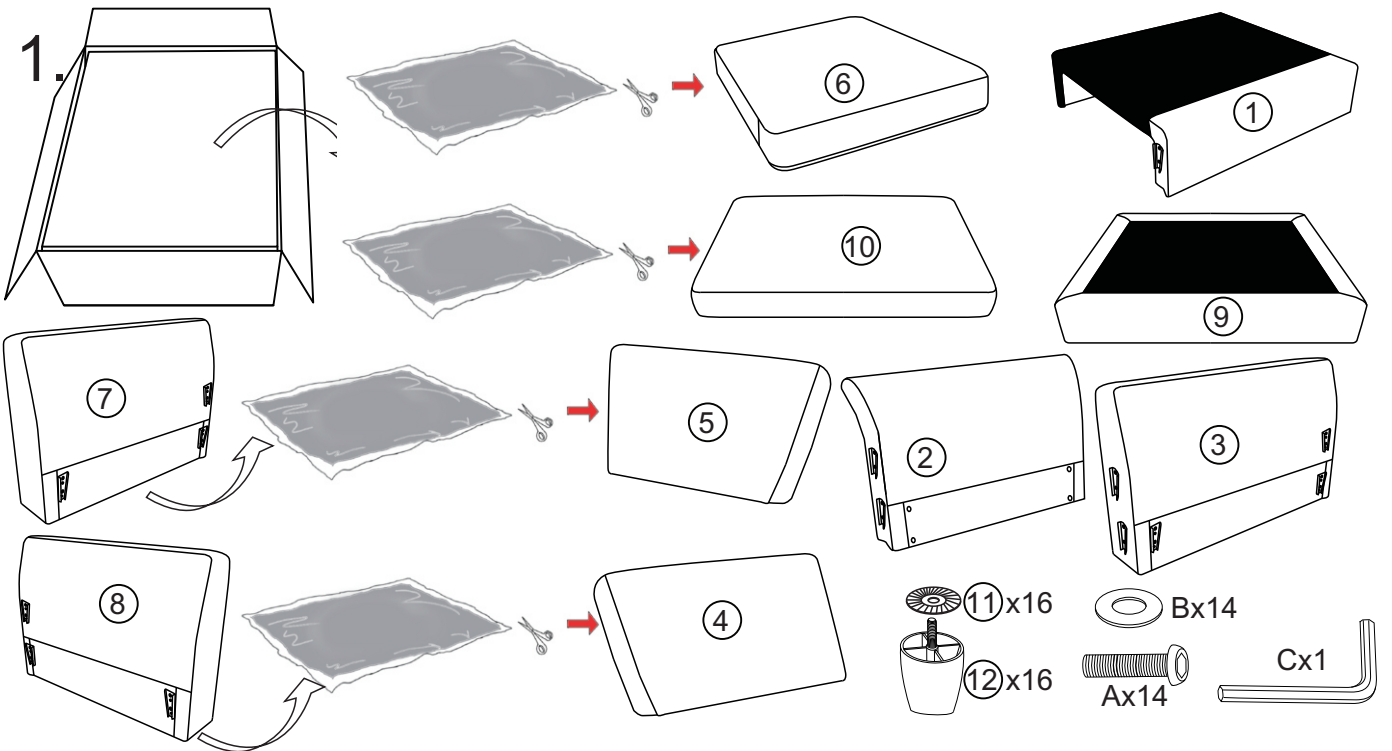
			
Seat (13) x1	Backrest (14) x1	Cushion (15) x2	Back Cushion (16) x2
			
Back Cushion (4) x2			

Carton 3

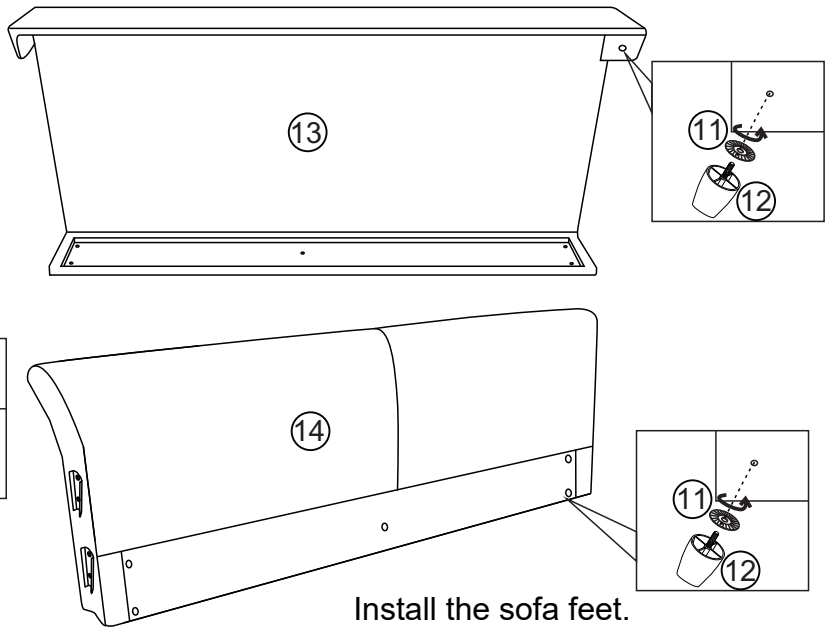
Materials

			
Seat (17) x1	Backrest (18) x1	Cushion (15) x2	Back Cushion (16) x2
			
Back Cushion (4) x2			

Installation Steps

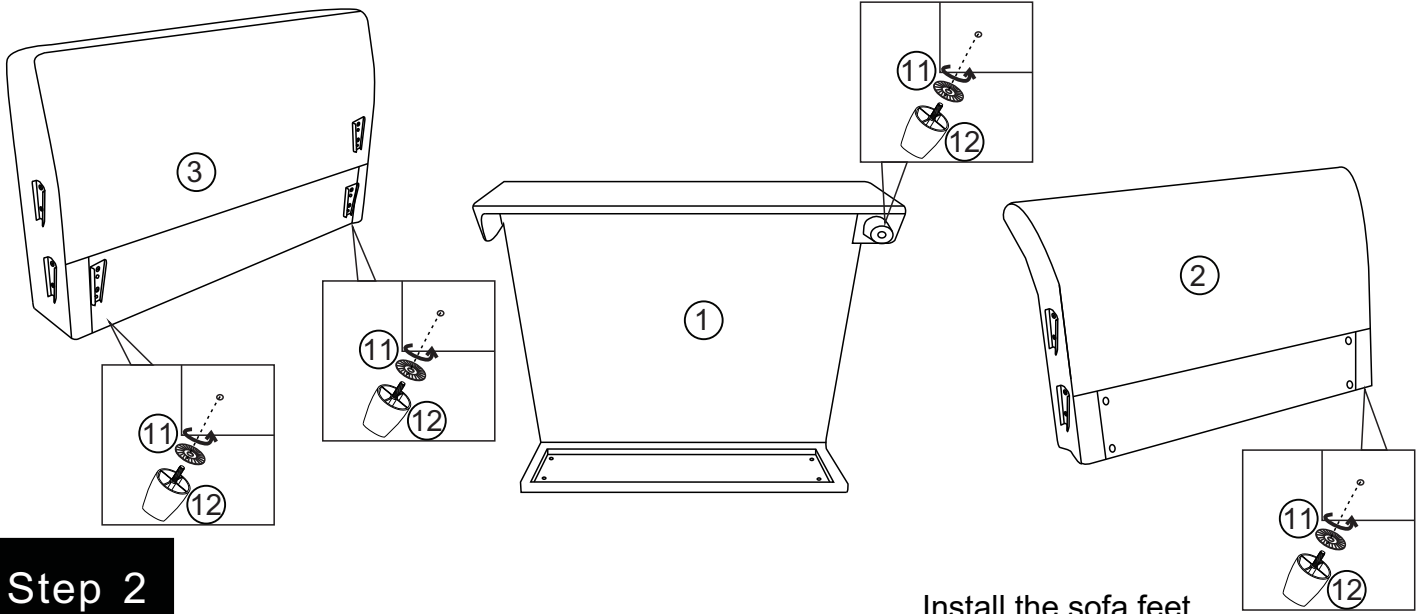


Take out all parts from the Carton A and B and C.
 Use scissors to open the compression bag, remove the back cushion and seat cushion, then gently pat them to fluff them up.



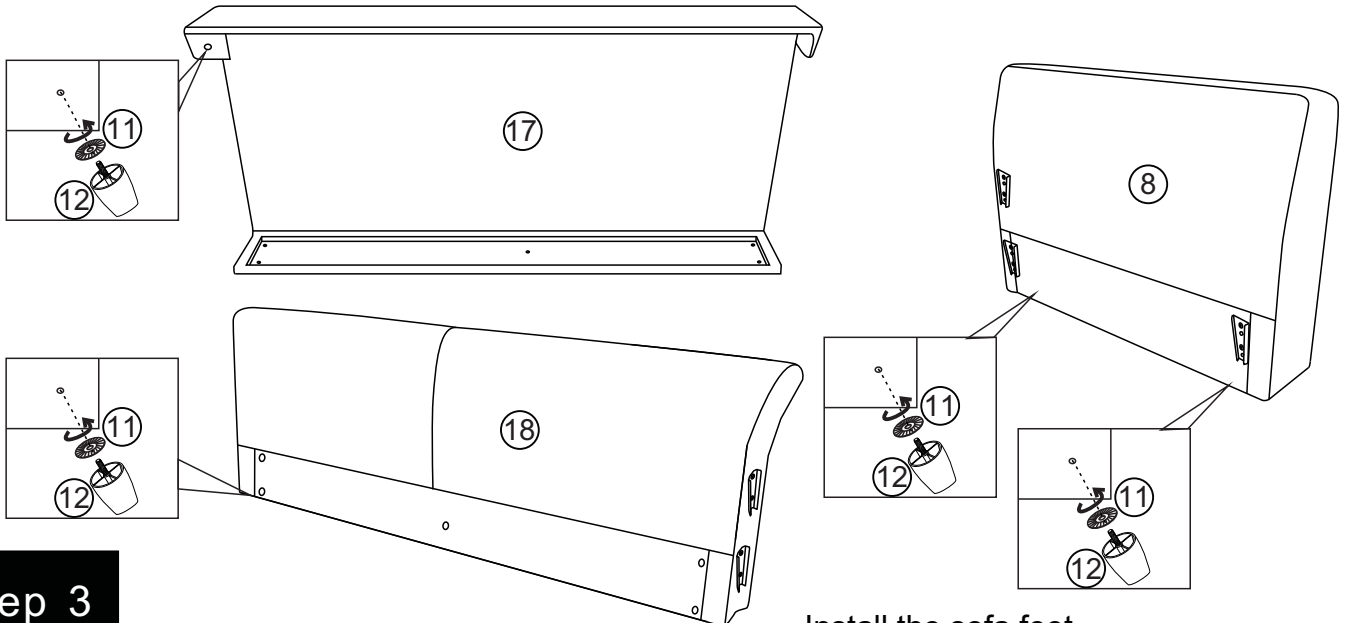
Step 1

Install the sofa feet.



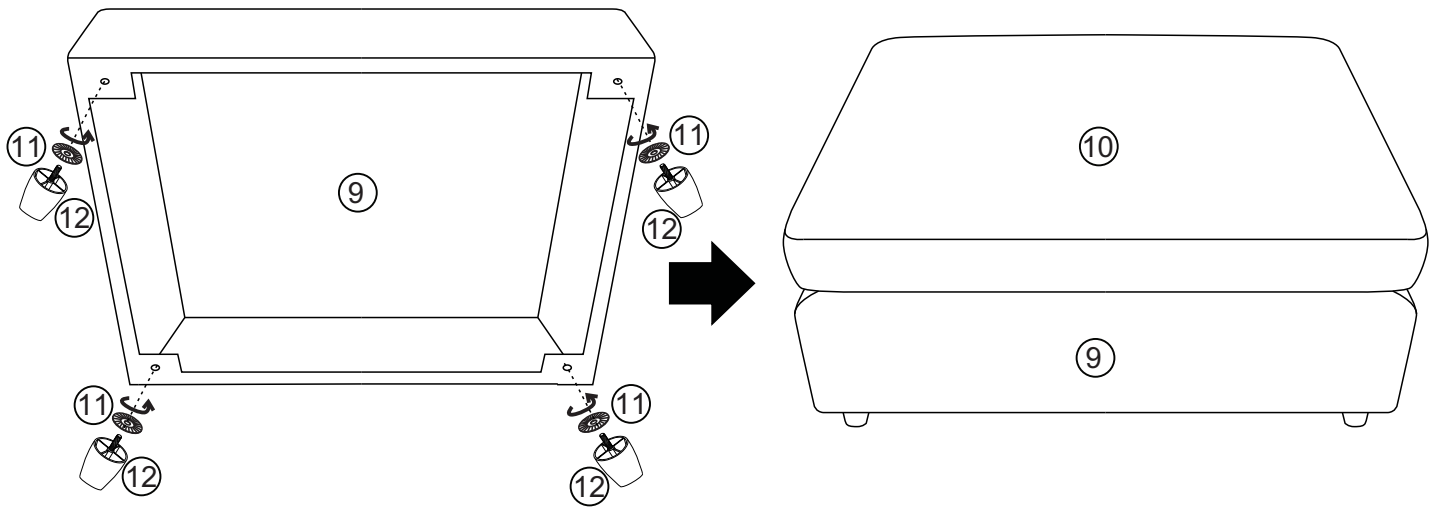
Step 2

Install the sofa feet.



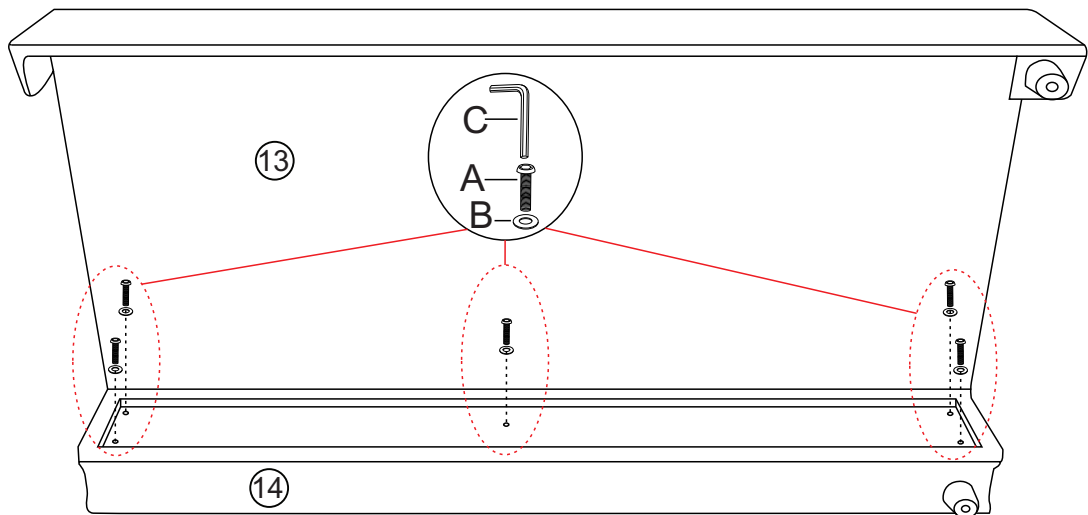
Step 3

Install the sofa feet.



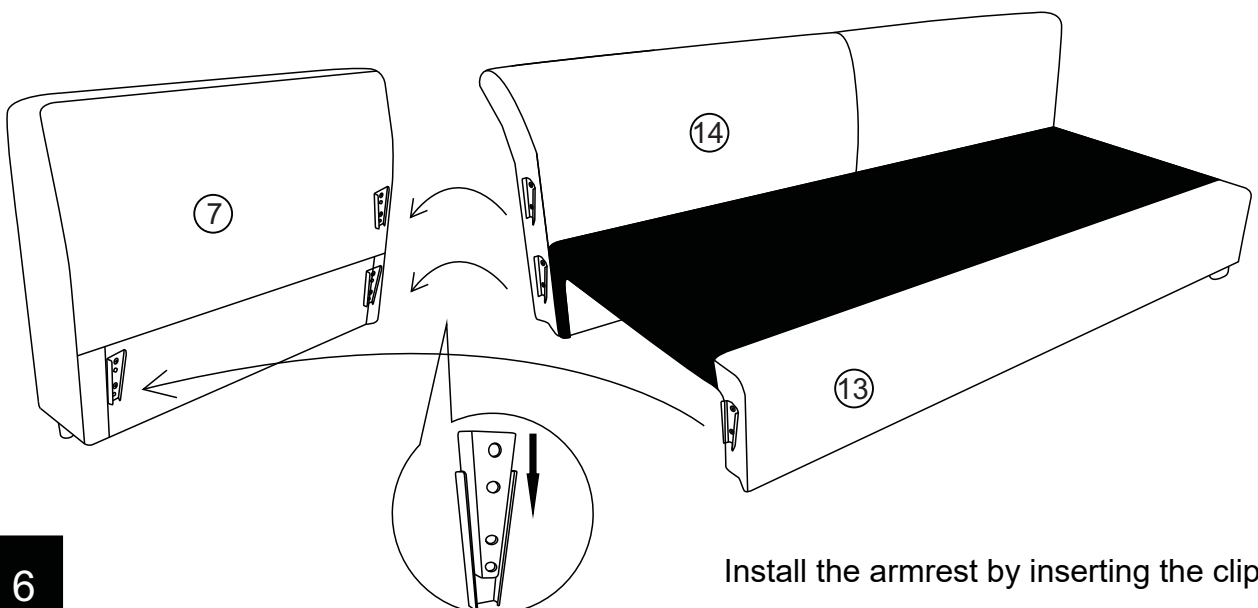
Step 4

Install the sofa feet.



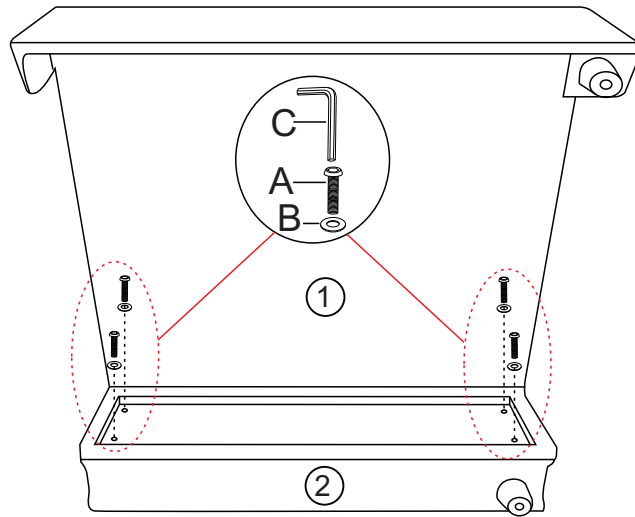
Step 5

Connect the backrest 14 and the seat frame 13 using screws.



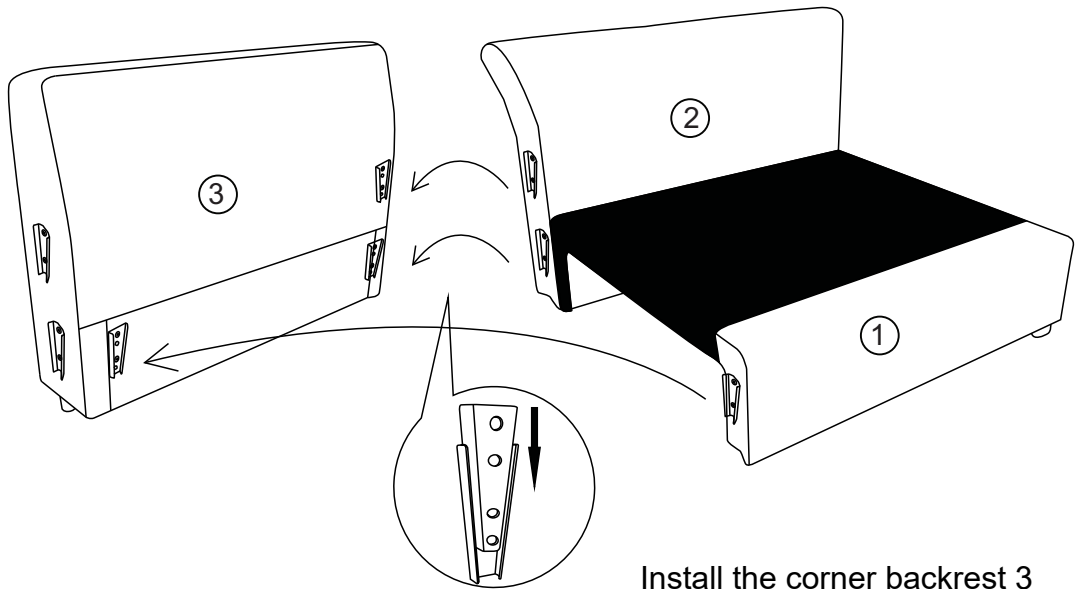
Step 6

Install the armrest by inserting the clips.



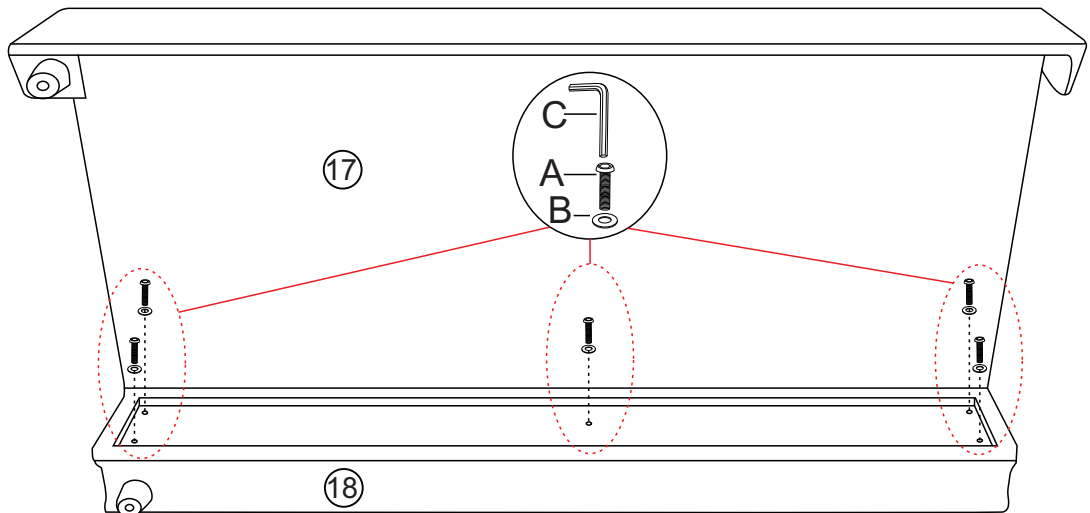
Step 7

Install the corner base frame and backrest.



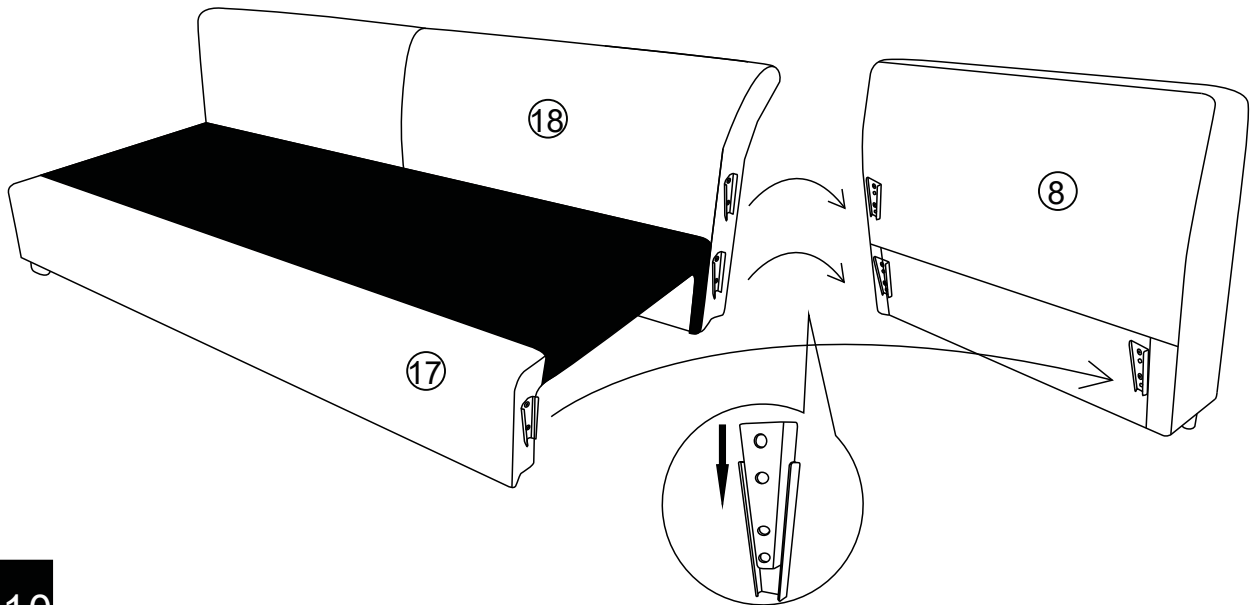
Step 8

Install the corner backrest 3



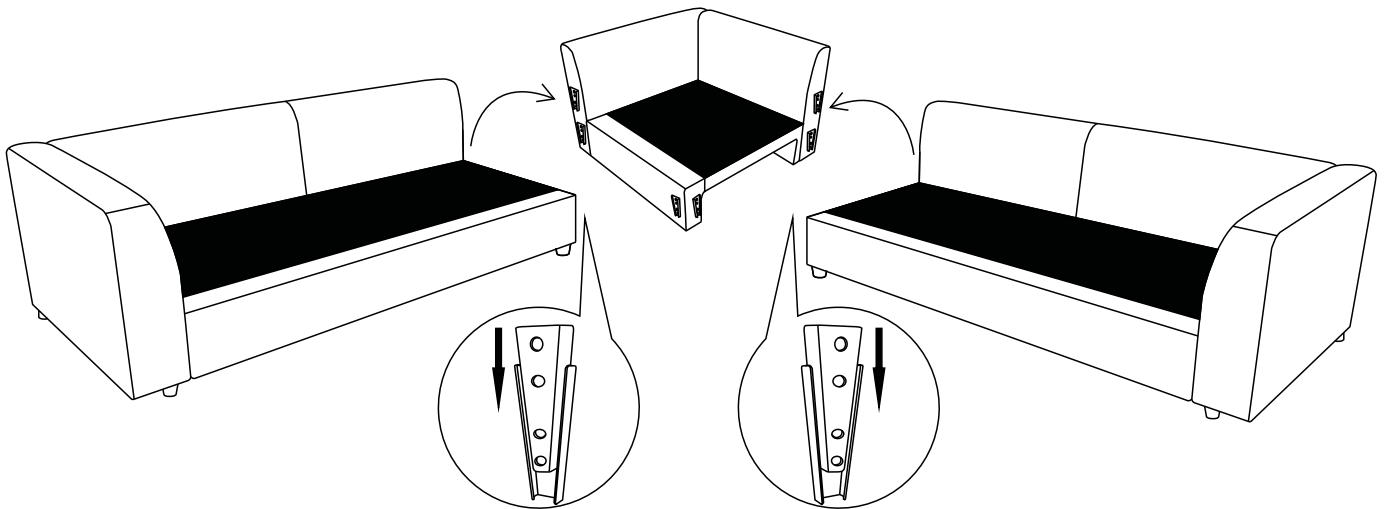
Step 9

Connect the backrest 18 and the seat frame 17 using screws.



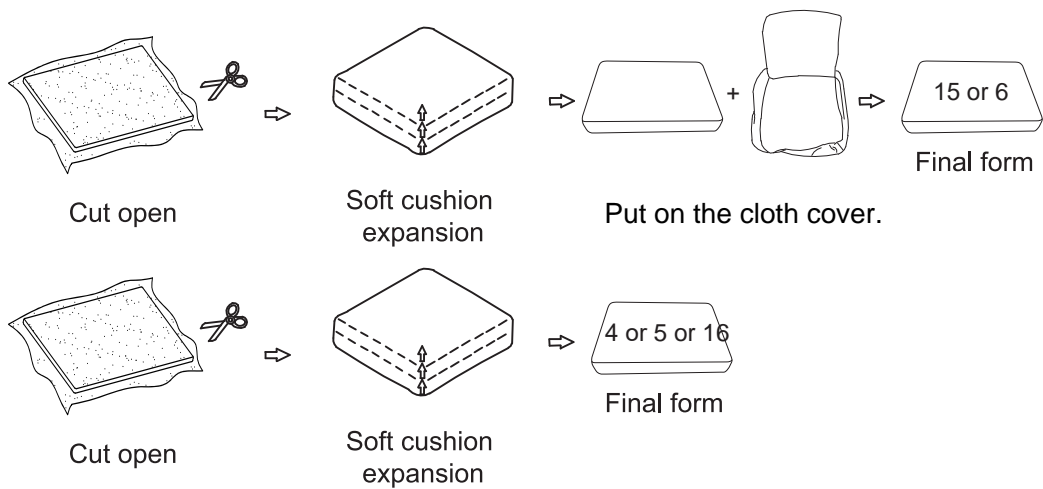
Step 10

Install the armrest by inserting the clips.



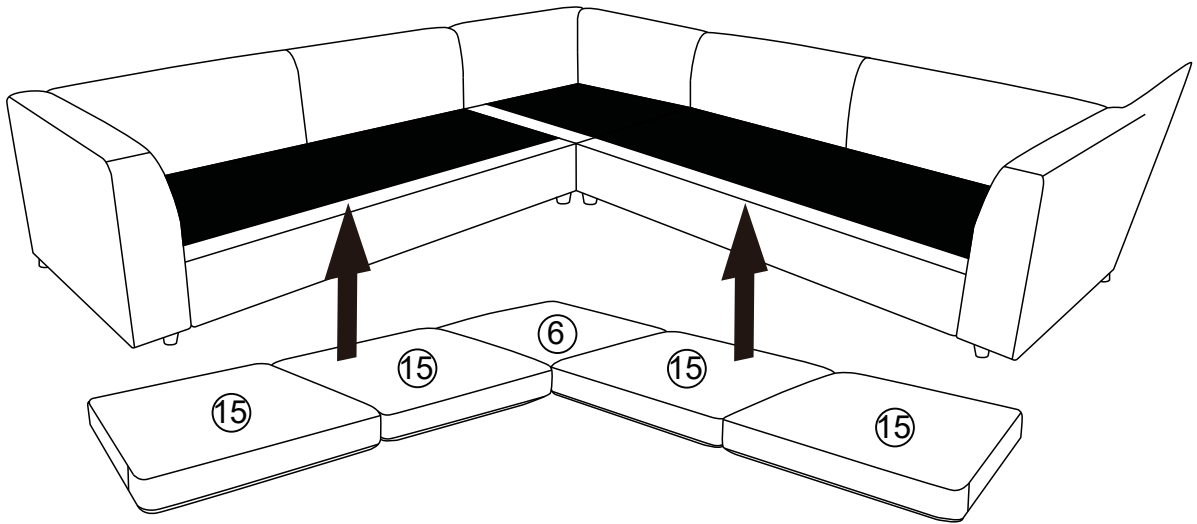
Step 11

Connect the left double position, the right double position and the corner position together through inserts.



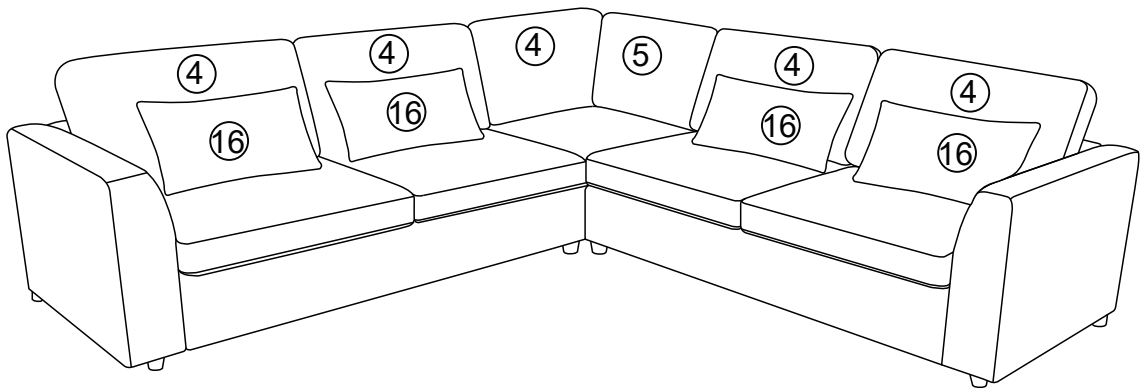
Step 12

The cushions are compressed and require a recovery period after opening, with a maximum recovery time of 48 hours.



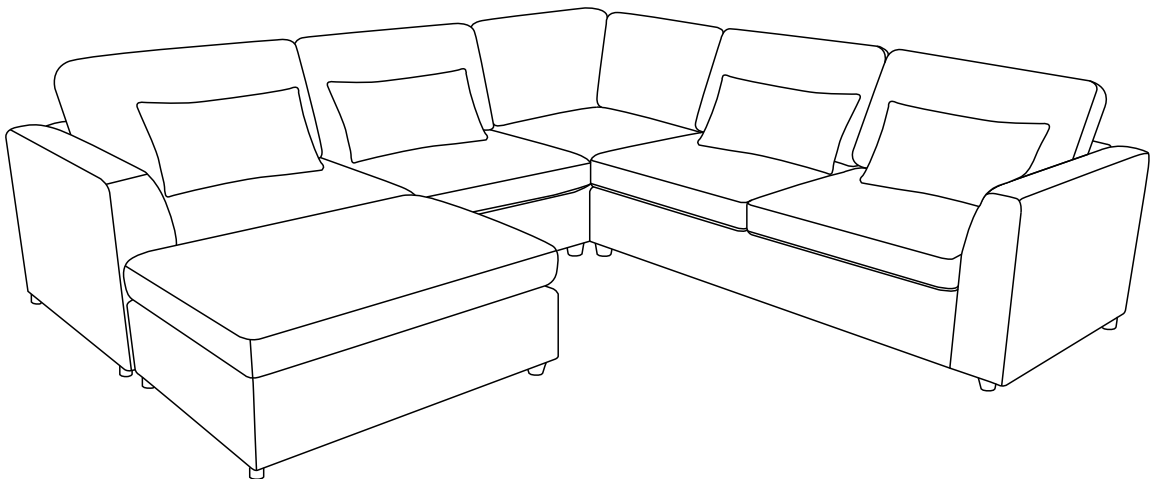
Place the cushion.

Step 13



Place the backrest cushion and the lumbar support pillow.

Step 14



Step 15 Assembly completed

Frequently Asked Questions

We understand that receiving damaged or defective products can be disappointing, and we're here to assist you every step of the way. Here's how to address common concerns and initiate a damage claim:

1.What should I do if my shipment is damaged or products received are defective?

We're genuinely sorry to hear about any inconvenience caused. Please reach out to us promptly, and our team will prioritize resolving the matter swiftly and effectively. To file a damage claim, follow these steps:

A. Retain the original box in case a return is required.

B. Take photos of the damaged box, the damaged part of the item, tracking number, and return label on the box to help us process a replacement or refund.

2.Can I return the product if I'm not satisfied?

While we uphold stringent quality standards and collaborate with experienced manufacturers, we acknowledge that dissatisfaction may arise. If you're still unsatisfied, you can initiate a return within 30 days of receiving the product. Simply message us with your reasons for return, and we'll facilitate the process.