

# DRESSER / WHITE DRESSER

# MIRROR / WHITE MIRROR

## Assembly Instruction

### A . Components :

- 1. Mirror 1 x
- 2. Dresser 1 x
- 3. Frame Support 2 x



a



c



e



b

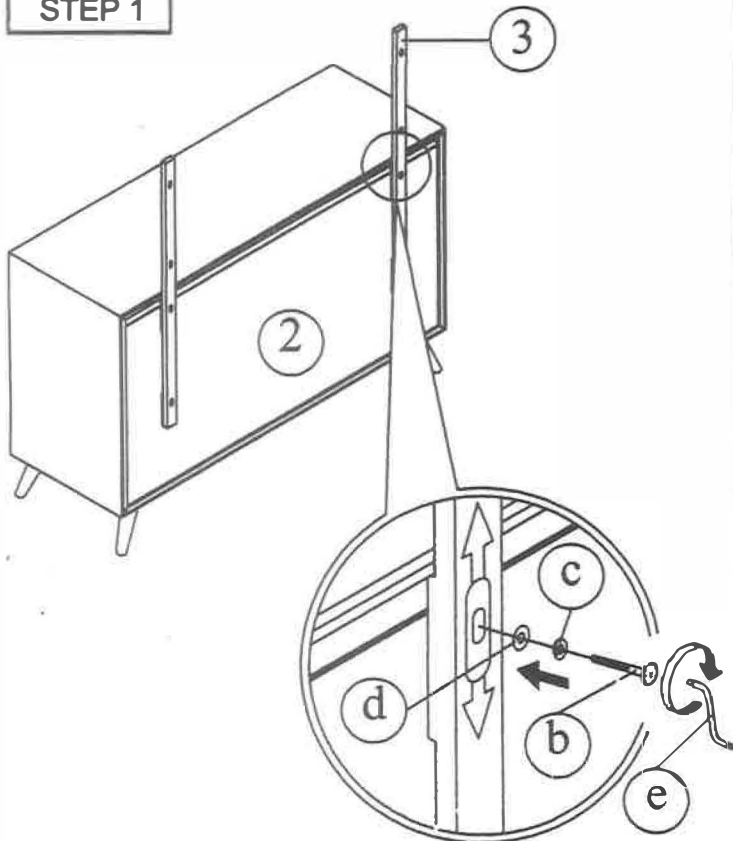


d

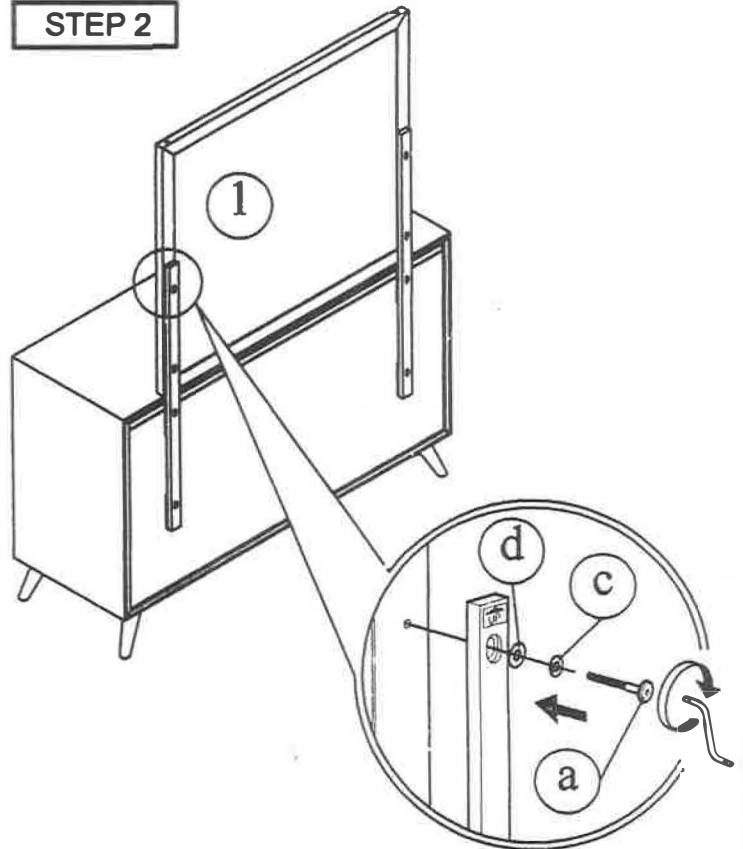
### B . Hardware :

- a. Allen Bolt Short 4 x
- b. Allen Bolt Long 4 x
- c. Lock Washer 8 x
- d. Flat Washer 8 x
- e. Allen Key 1 x

### STEP 1



### STEP 2



### STEP 3

