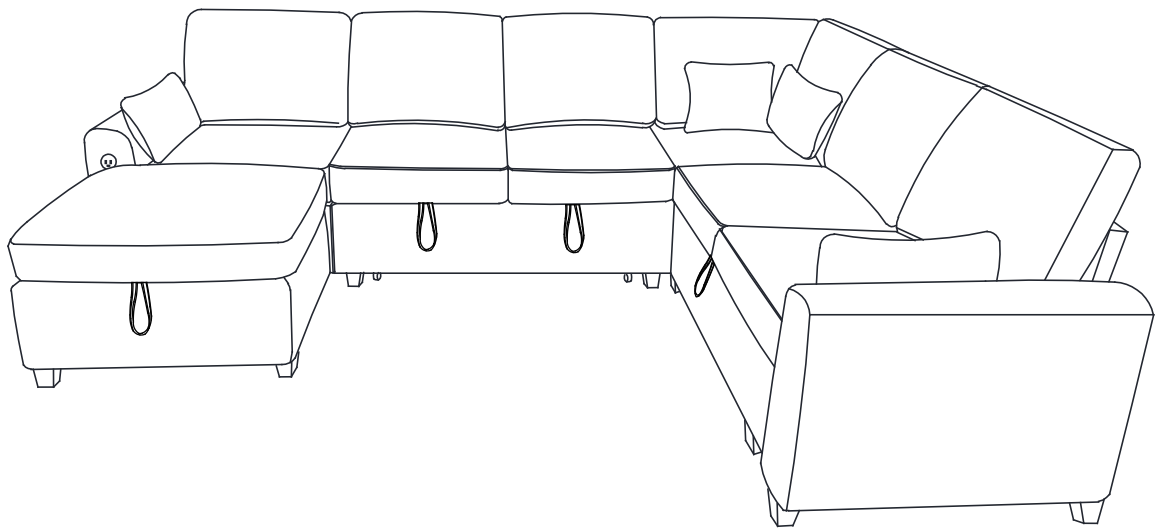


Modular Sectional Sleeper Sofa

Assembly Instructions



KINDLY NOTICE- Please read these instructions carefully before starting assembly

WARRANTY

We proudly provide **1-YEAR** warranty, if there are any questions with the products, please feel free to contact with us.



The assembly will be easier with 2 people while 1 person could also do the job.



Around 30 MINS ASSEMBLY

Quick Start:

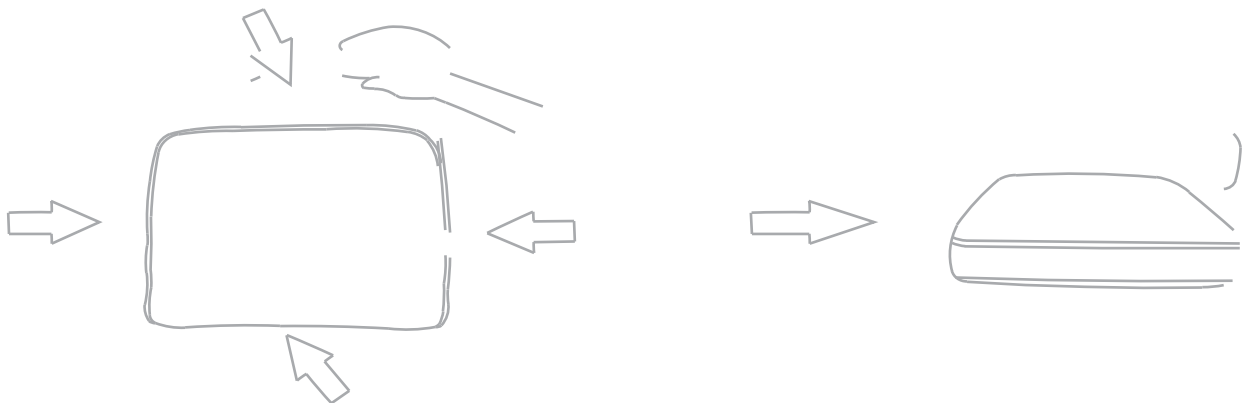
1. Find your variant & check boxes. Different variants ship with different boxes. Before assembly, confirm you've received all boxes. If any box or part is missing or damaged, please contact us by email or through the platform and we'll help right away.

Variant	Expected boxes	Total
2 Seat Sleeper	B+E	2
3 Seat Sleeper	B+D+E	3
5 Seat Sleeper	A+B+C+E	4
6 Seat Sleeper	B+D+D+E	4
7 Seat Sleeper	A+B+C+D+E	5
8 Seat Sleeper	A+B+B+C+C+E	6

Box	Name
A	2-Seat Storage Module
B	2-Seat Sleeper Module (Pull-out)
C	Corner Seat Module
D	Single Seat+Ottoman Module
E	Armrests(Left & Right, as a pair)

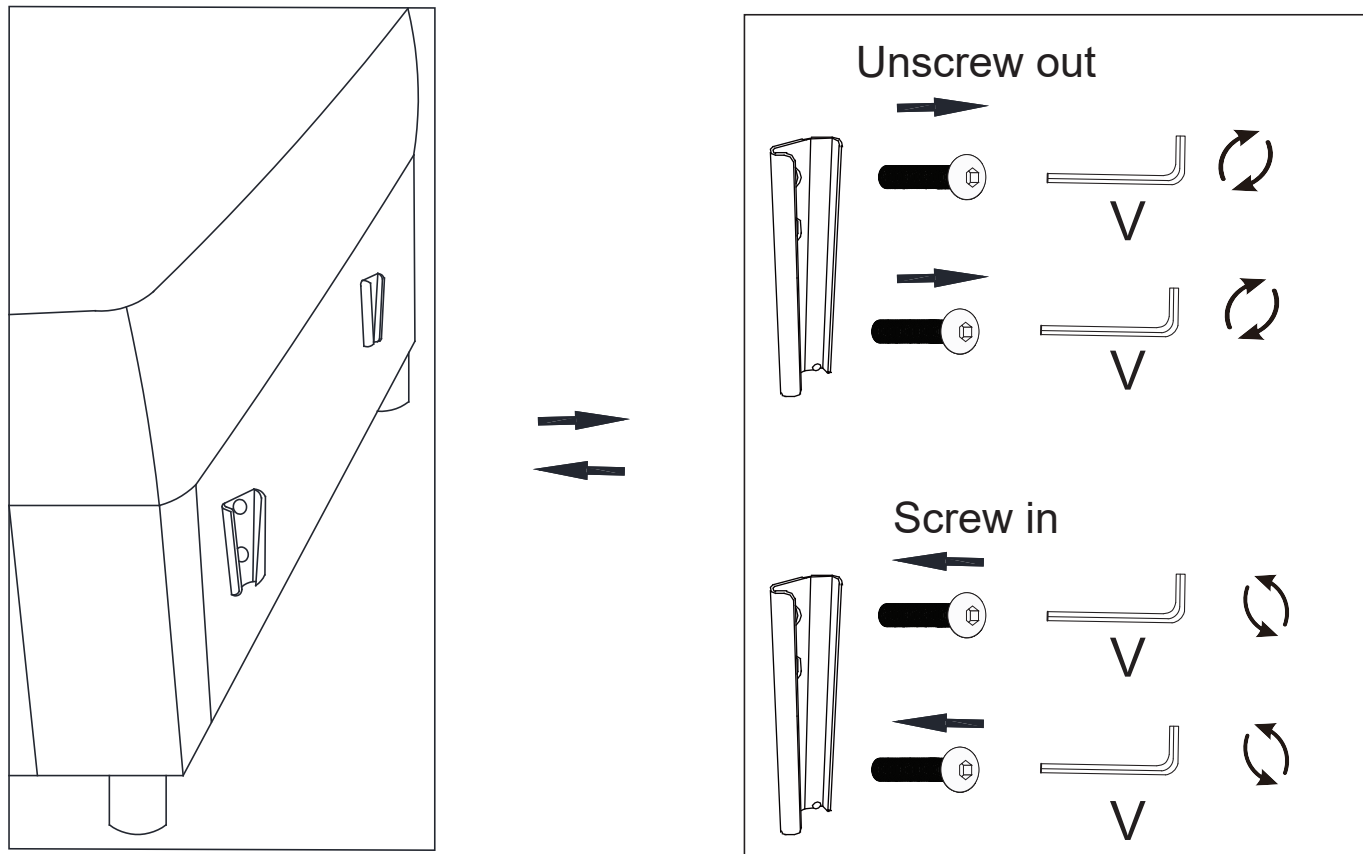
2. Color may vary slightly. Due to lighting and display differences, the actual material color may differ slightly from the photos.

3. Vacuum-packed cushions. To reduce shipping volume, cushions are vacuum-packed. After unsealing, gently pat and fluff each cushion and allow 24–72 hours to fully recover to the look shown in the images.



- ①. Pat to make it rebound better and fluffy.
- ②. Knead your cushion like giving your cushion a massage while allowing the air to flow through the foam.

4. The connector tabs come pre-installed on the sofa. For different layout options, you may need to replace them during assembly. All parts are included (plus an extra pair). See the diagrams below for replacement steps



RETURN ISSUE

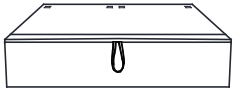
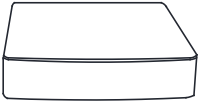
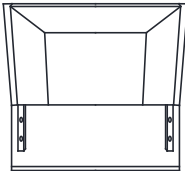



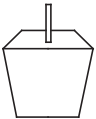

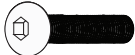
We offer 30-day returns, please feel free to contact us if you have any questions. Return requirements:



1. Original carton in good condition
2. No damage to the product

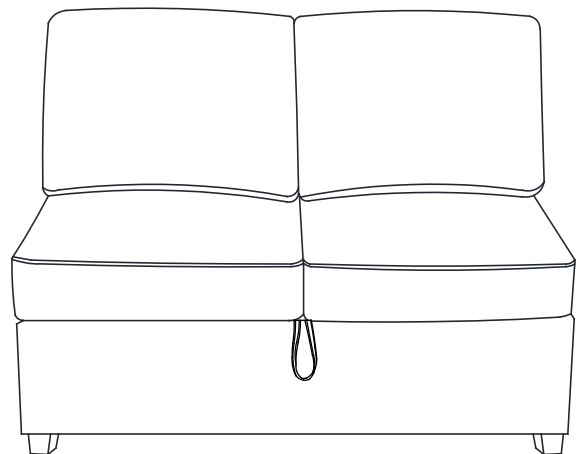
Contact Customer Service Team

PARTS LIST (BY BOX)

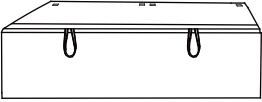

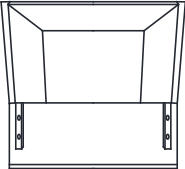


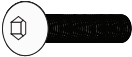



BOX A: 2 Seat Storage Module

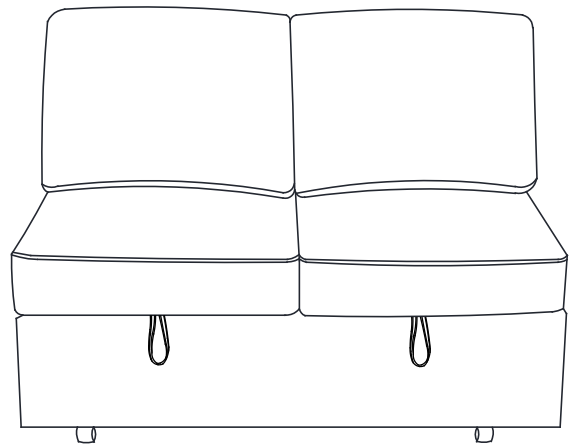
A	Loveseat frame		1PC
B	Seat cushion		2PCS
C	Backrest		2PCS
L	Back cushion		2PCS
W	Connector tabs		1PC
X	Connector tabs		1PC
Q	Supporting feet		4PCS
R	Gaskets		4PCS
S	Screws	 M8*30mm	8PCS

U	Washers		8PCS
V	Alley key		1PC

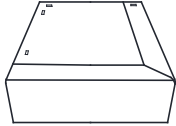

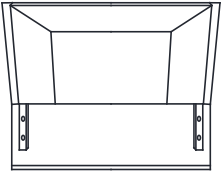


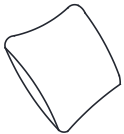


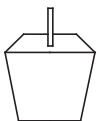



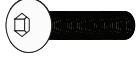


BOX B:2 Seat Sleeper Module (Pull out)

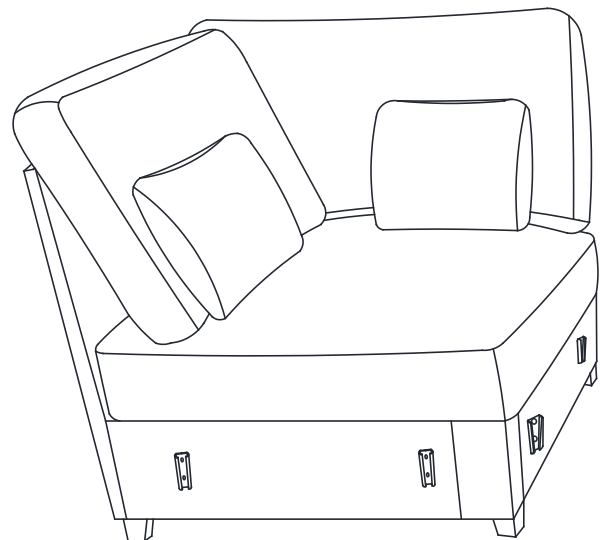
Y	Pull out Bed frame		1PC
B	Seat cushion		2PCS
C	Backrest		2PCS
L	Back cushion		2PCS
P	Wheels		4PCS
S	Screws M8*30mm		8PCS
T	Screws M6*16mm		8PCS
U	Washers		8PCS
V	Alley key		1PC



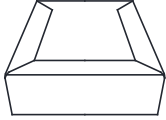
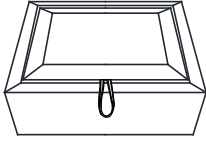

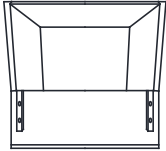




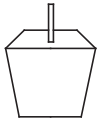
BOX C: Corner Seat Module





D	Corner seat frame		1PC
I	Corner cushion		1PC
H	Corner backrest		2PCS
M	Corner left back cushion		1PC
N	Corner right back cushion		1PC
O	Pillows		2PCS
W	Connector tabs		1PC
X	Connector tabs		1PC
Q	Corner backrest		4PCS

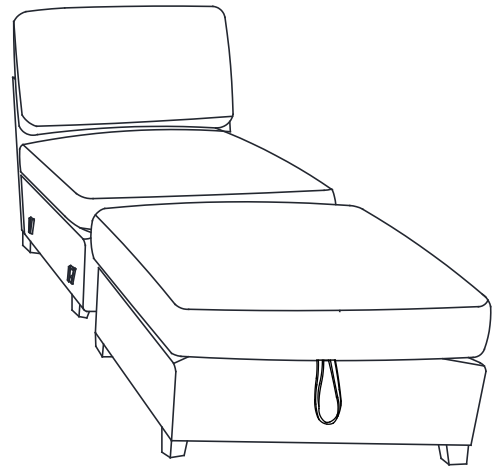
R	Gaskets		4PCS
S	Screws	 M8*30mm	8PCS
U	Washers		8PCS
V	Alley key		1PC



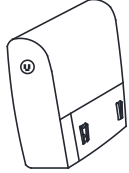
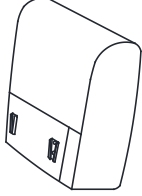

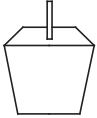

BOX D: Single Seat + Ottoman Module


E	Single seat frame		1PC
F	Ottoman frame		1PC
B	Seat cushion		1PC
C	Backrest		1PC
G	Ottoman cushion		1PC
L	Back cushion		1PC
W	Connector tabs		1PC
X	Connector tabs		1PC
Q	Supporting feet		8PCS

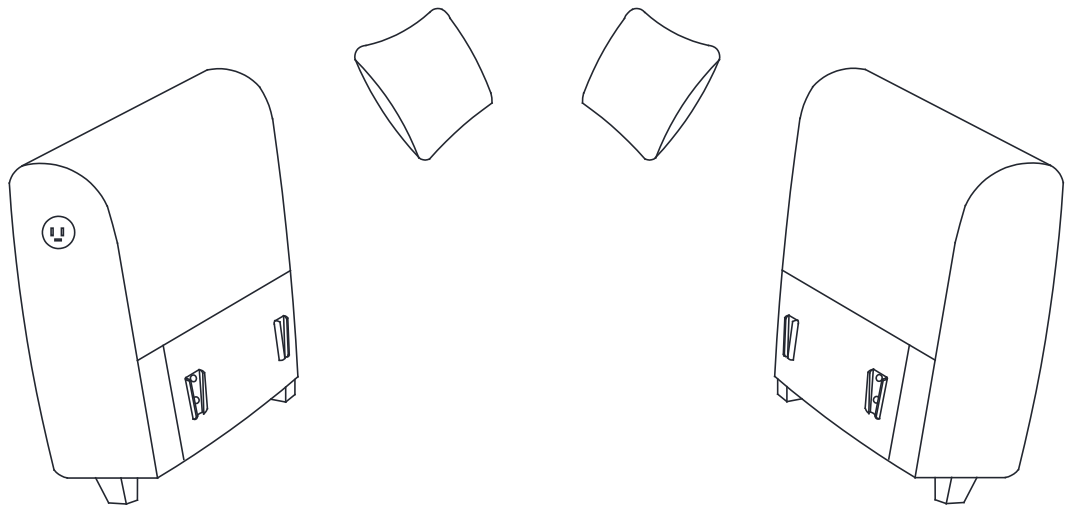
R	Gaskets		8PCS
S	Screws	 M8*30mm	4PCS
U	Washers		4PCS
V	Alley key		1PC



BOX E: Armrests (Left & Right, as a pair)

J	Left armrest		1PC
K	Right armrest		1PC
O	Pillows		2PCS
Q	Supporting feet		4PCS
R	Gaskets		4PCS




Z	Plug		1PC
---	------	---	-----

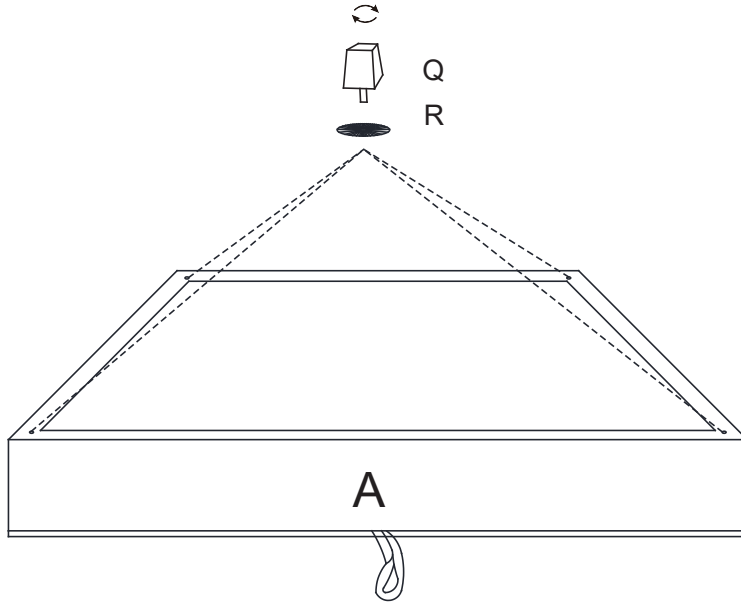


**UNIVERSIAL
MODULE STEPS
(BY BOX)**





BOX A

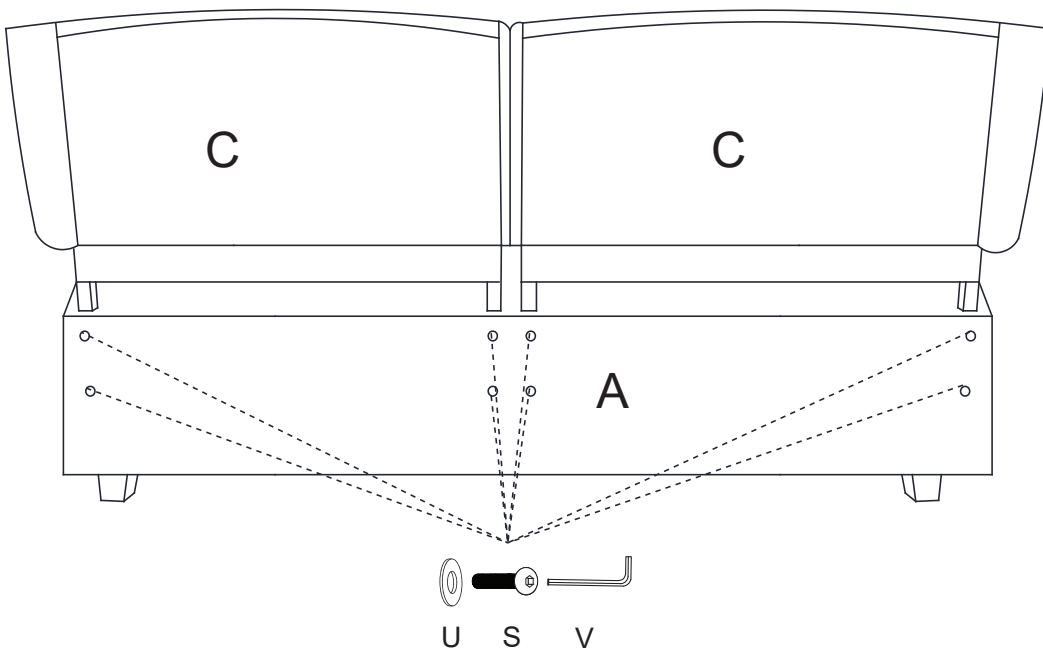
step 1:




A		x1
Q		x4
R		x4



step 2:

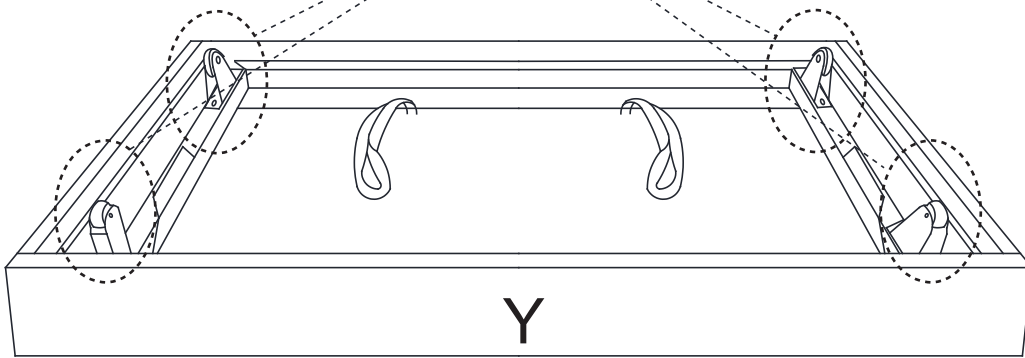
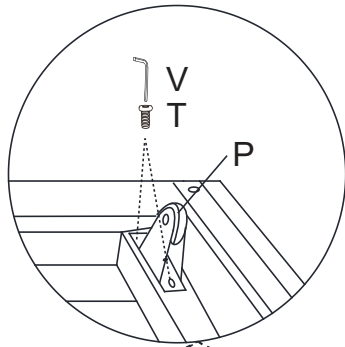
C		x2
S		x8
U		x8
V		x1



	80% X	
	100% ✓	

BOX B

step 3:

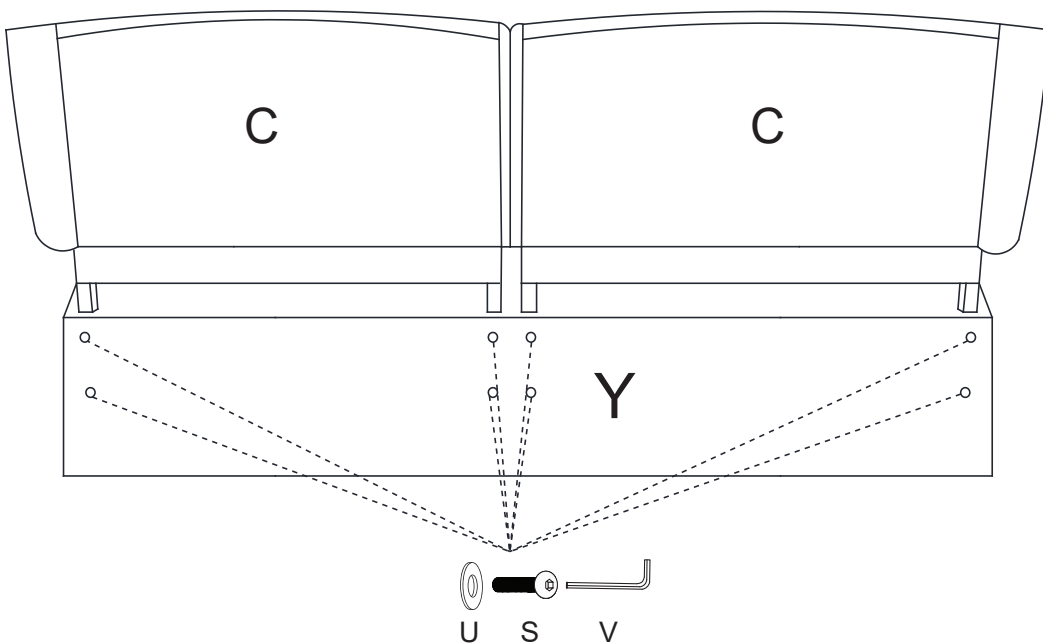


Y		x1
P		x4

T		x8
V		x1

	80%	
	100%	

step 4:



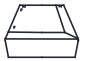


C		x2
---	--	----

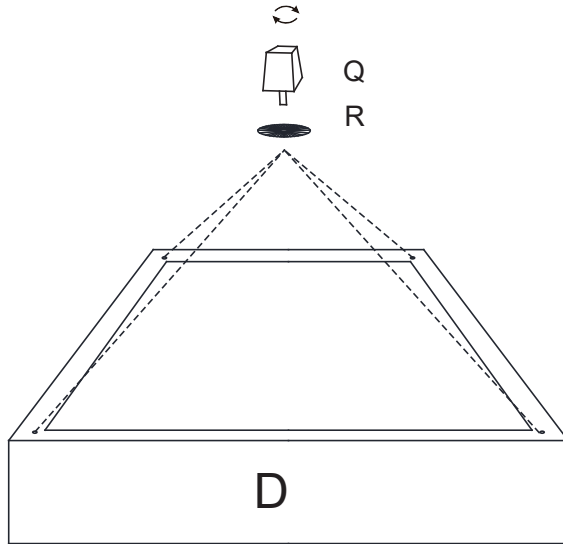
S		x8
U		x8
V		x1

	80%	
	100%	

BOX C

step 5:

D		x1
Q		x4
R		x4




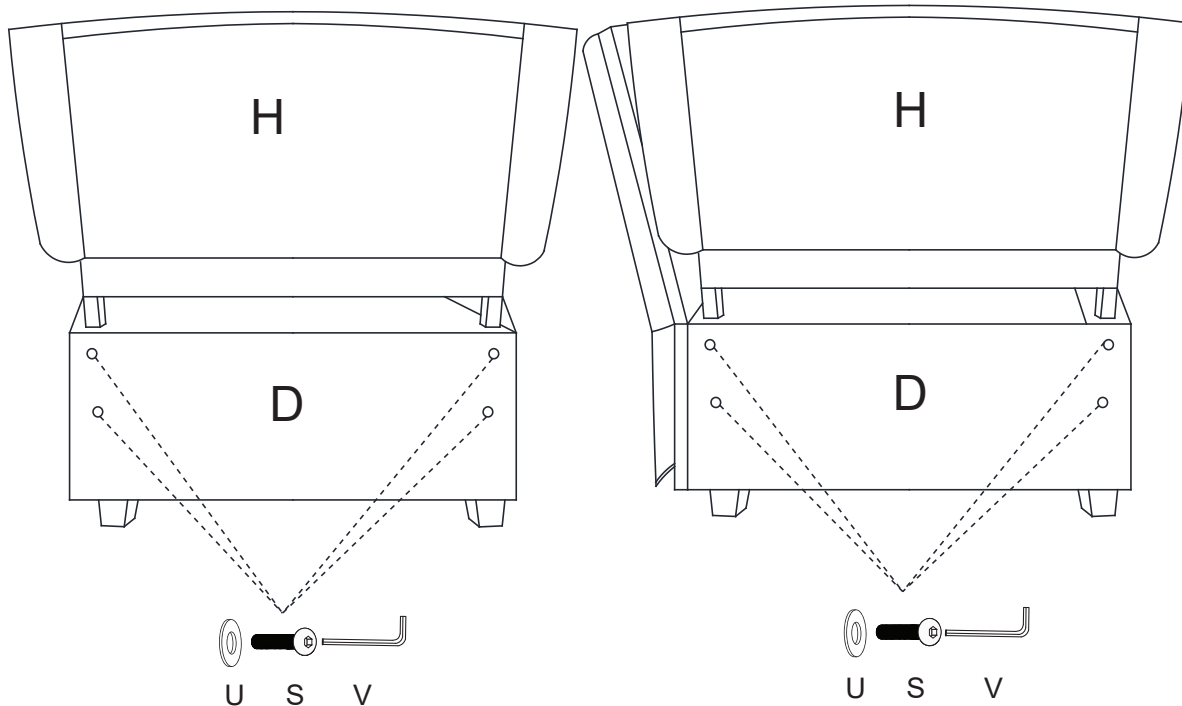
step 6:




H		x2
---	---	----

S		x8
---	---	----

U		x8
---	---	----





V		x1
---	---	----

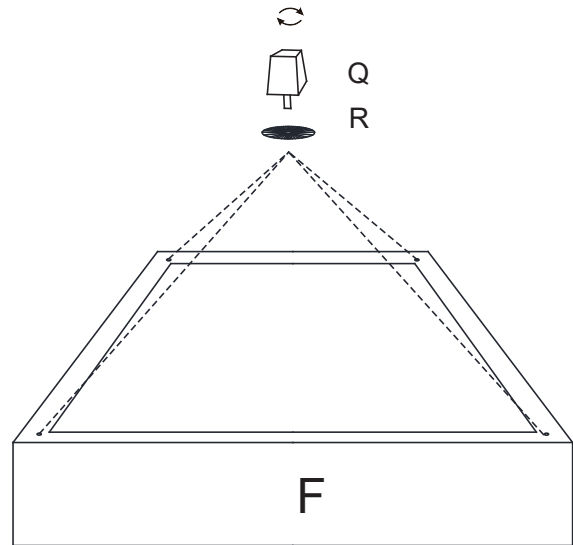
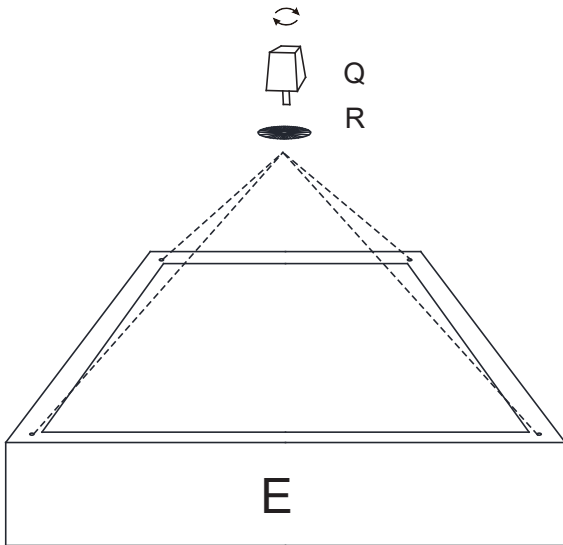


	80% X	
	100% ✓	


BOX D

step 7:

E		x1
F		x1
Q		x8
R		x8





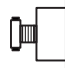

step 8:

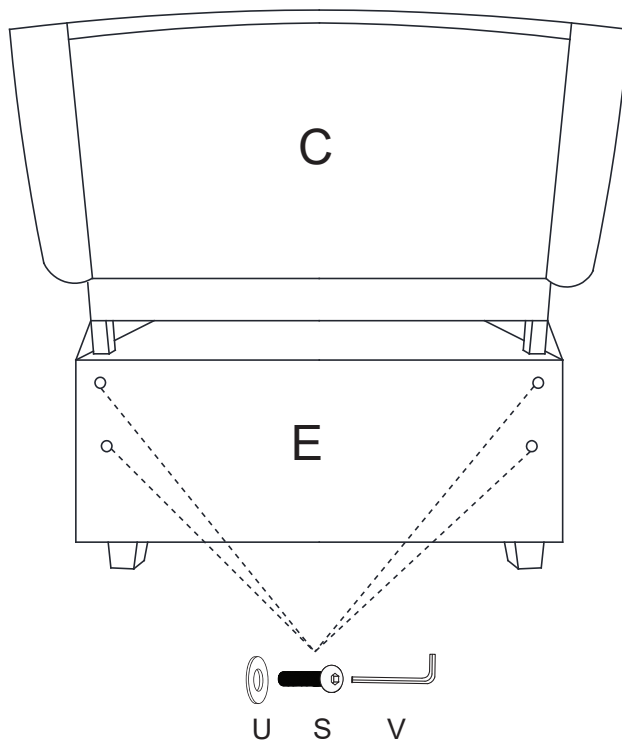
C		x1
---	---	----

S		x4
---	---	----

U		x4
---	---	----





V		x1
---	---	----

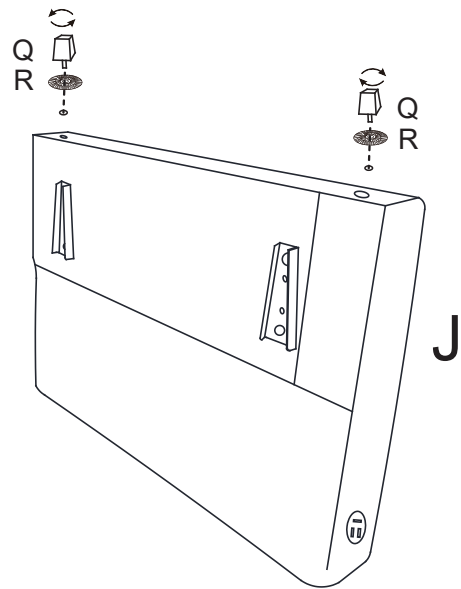
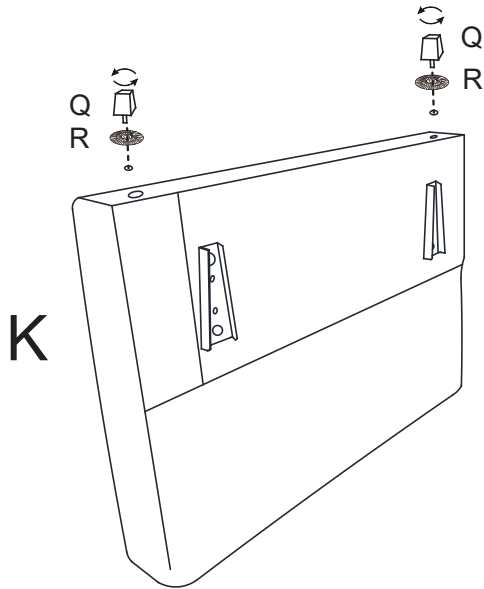
	80%	
	100%	



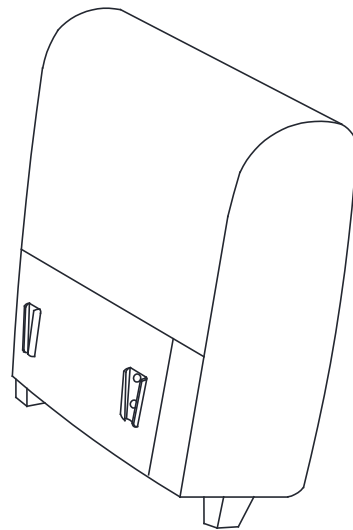
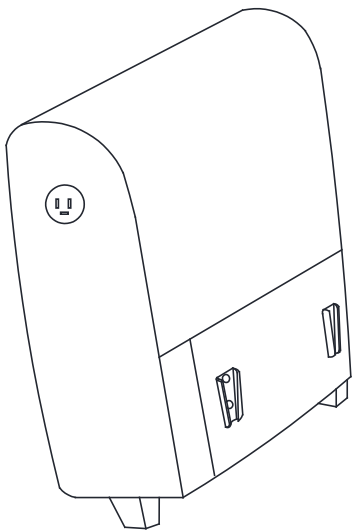
BOX E

step 9:

J		x1
K		x1
Q		x4
R		x4

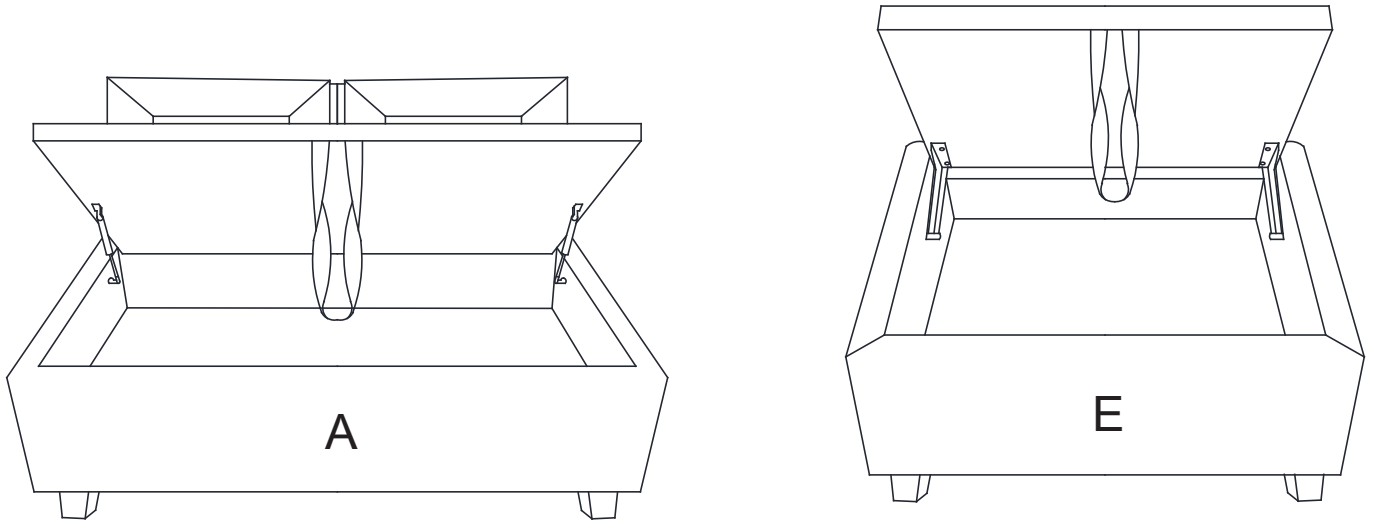


step 10:

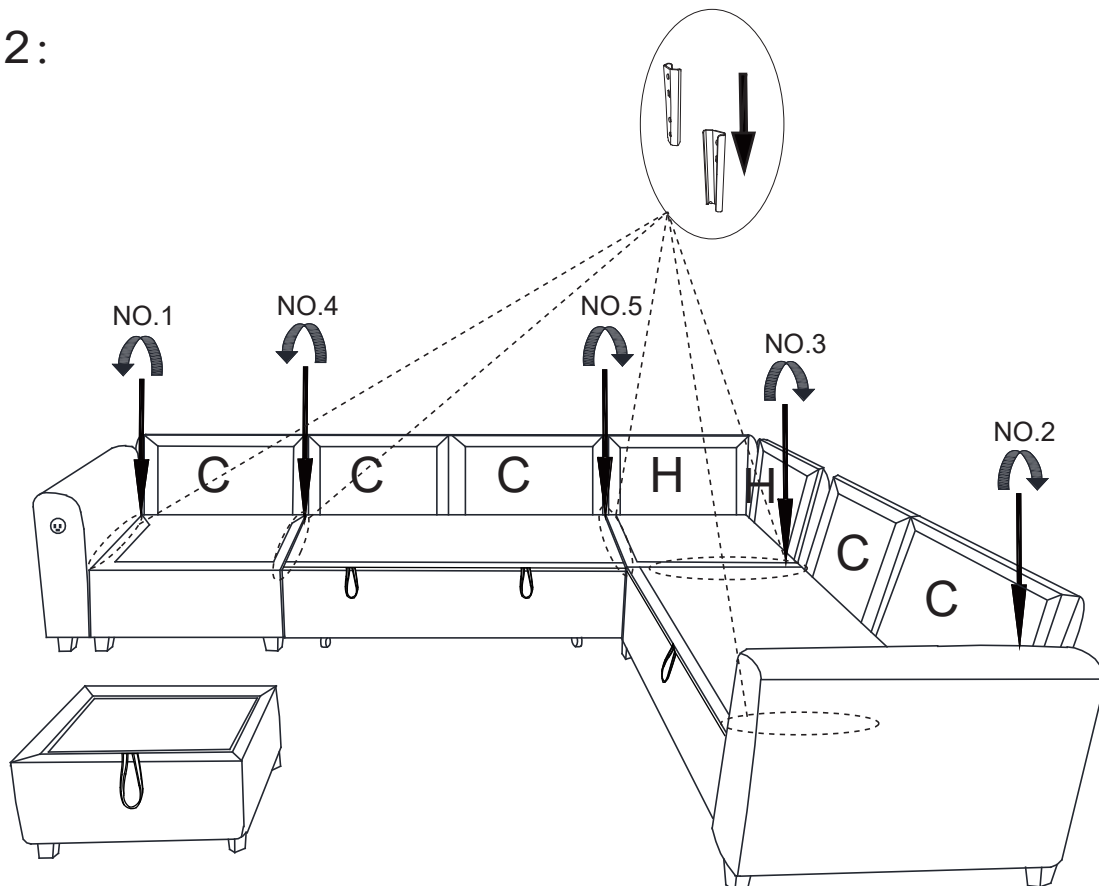


Assembly Sequence

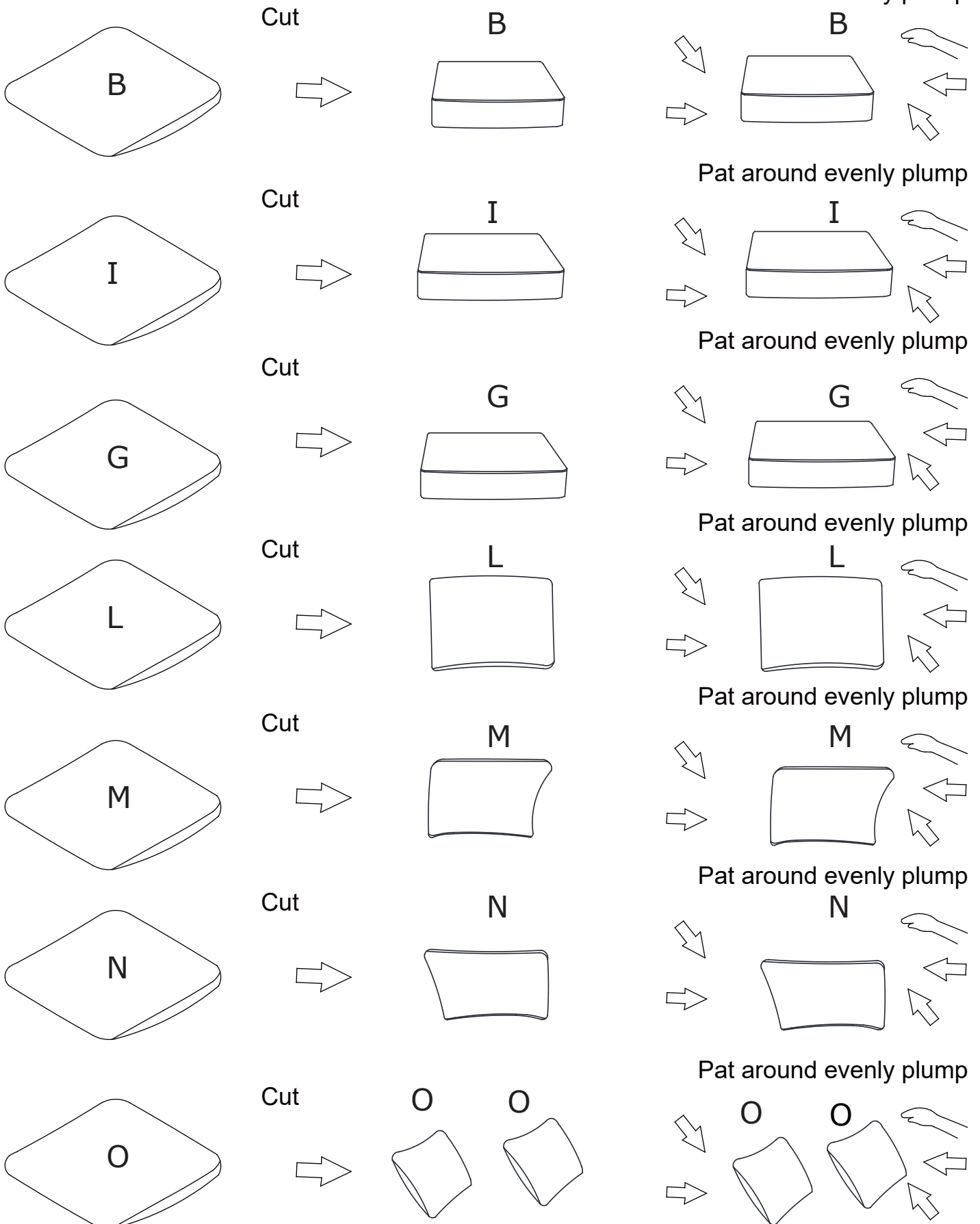
step 11:



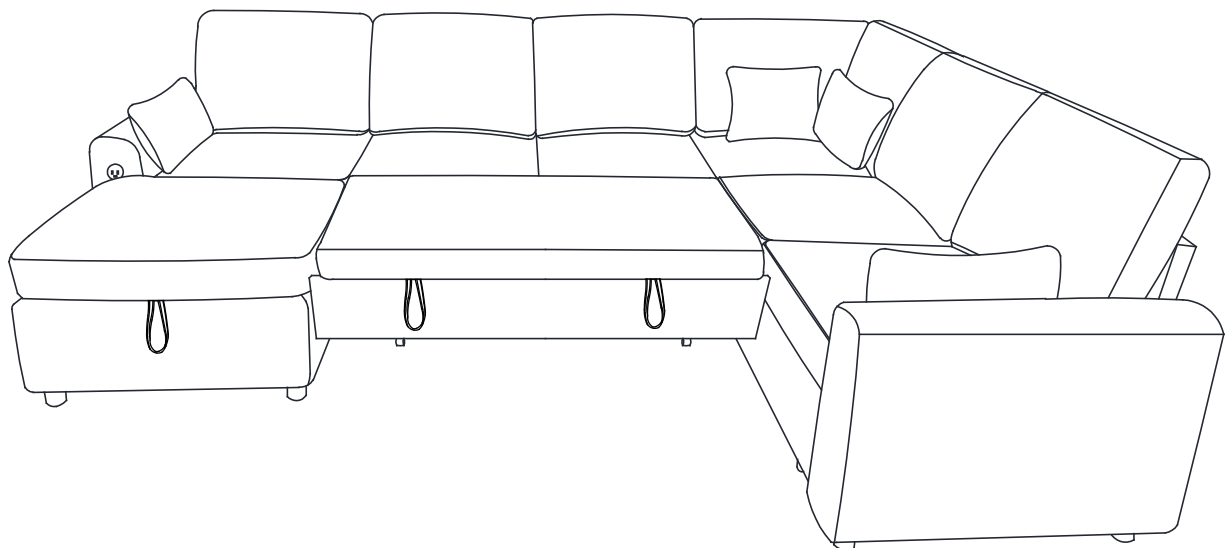
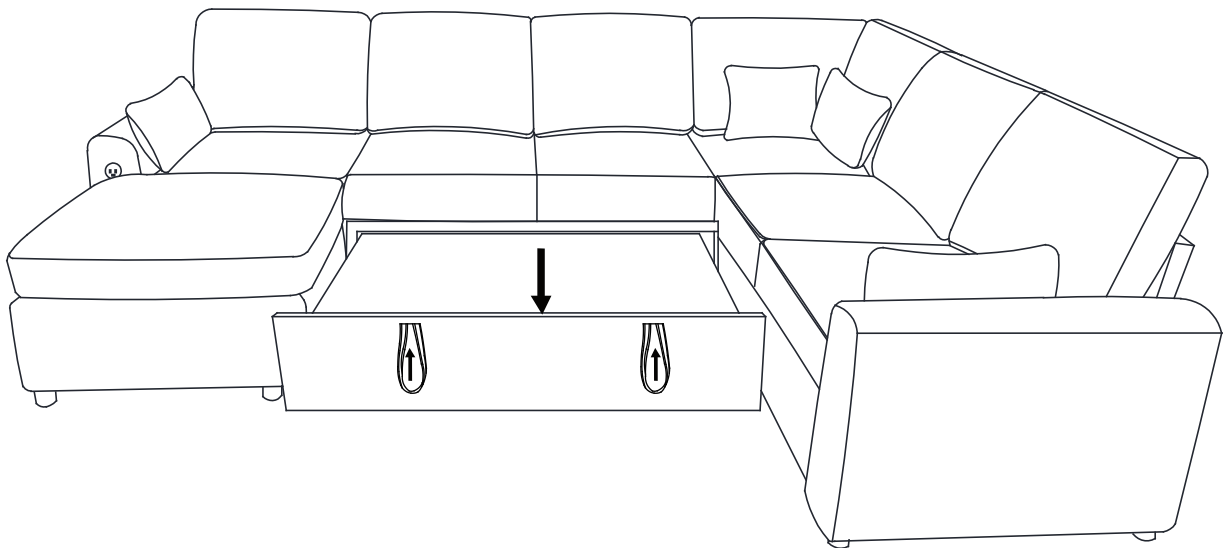
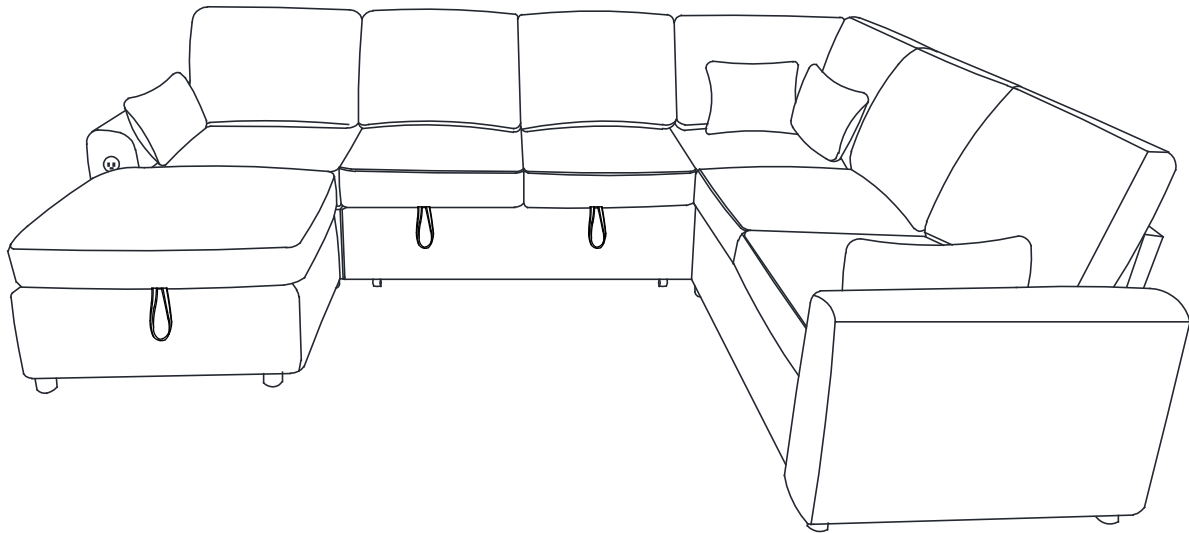
step 12:



step 13: The sofa is packaged in vacuum compression as a whole. Once the package is opened, gently pat it to help it regain its shape. After 72 hours of standing on the couch, most of the wrinkles should disappear.

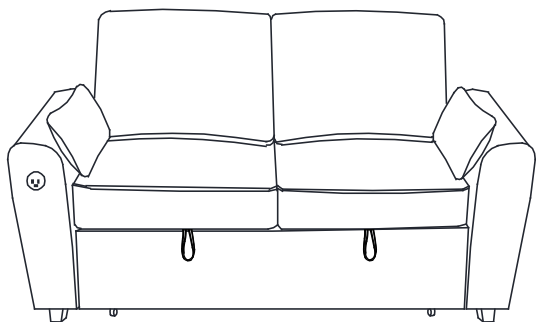


step 14:

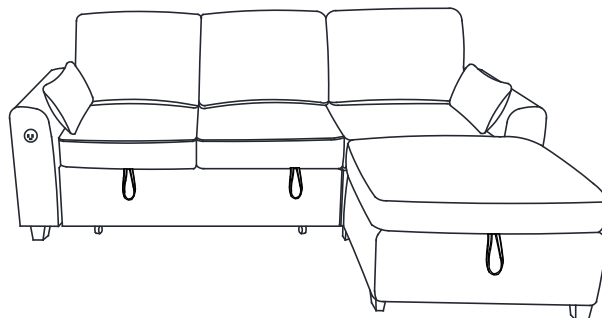


VARIANT CHAPTERS

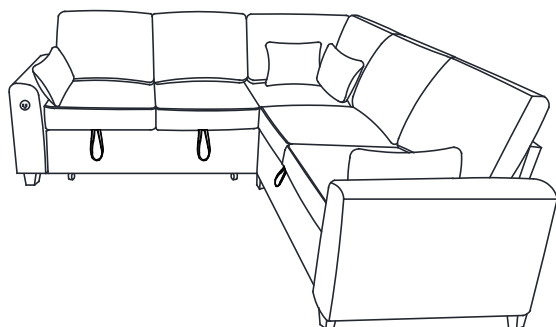
2 Seat Sleeper
Boxes: B+E



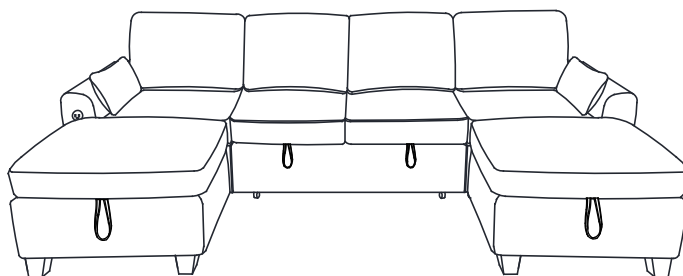
3 Seat Sleeper
Boxes: B+D+E



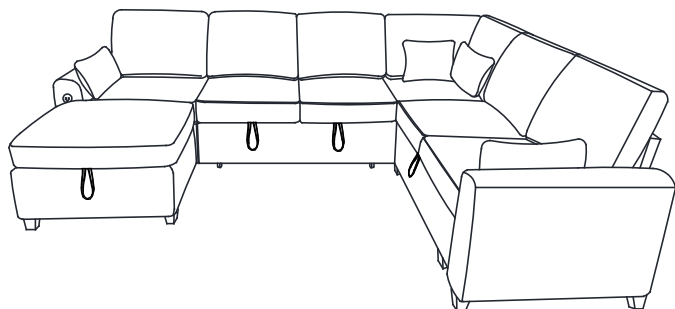
5 Seat Sleeper
Boxes: A+B+C+E



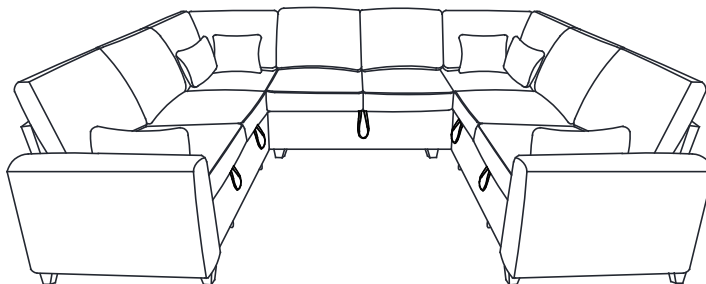
6 Seat Sleeper
Boxes: B+D+D+E



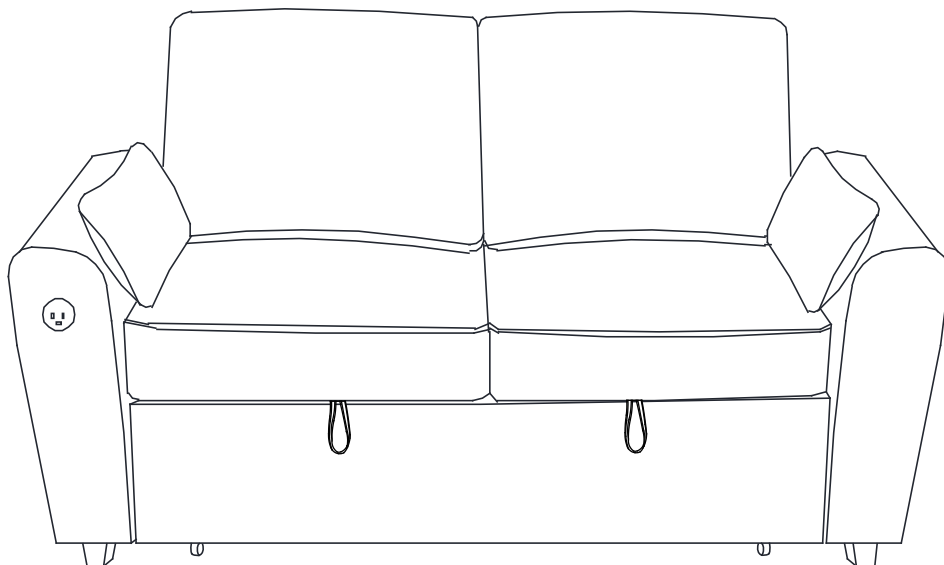
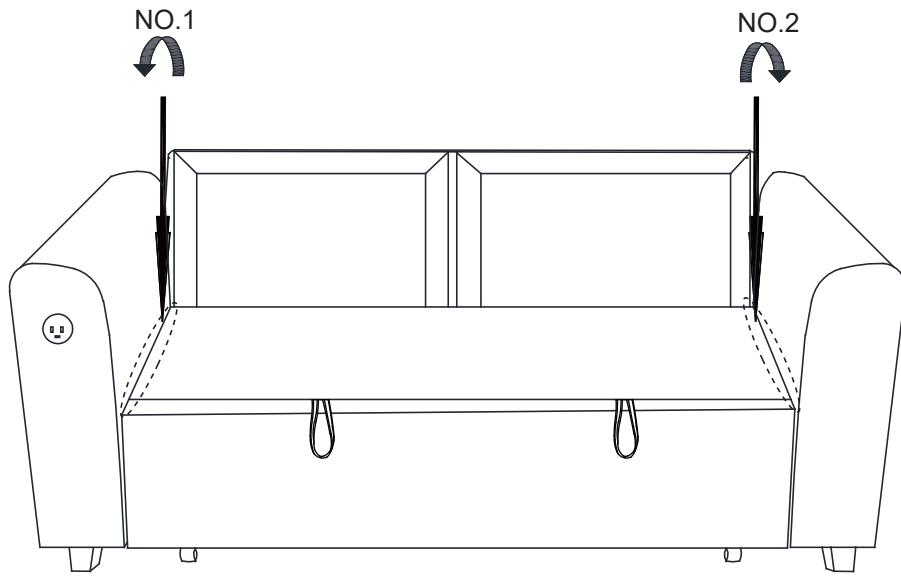
7 Seat Sleeper
Boxes: A+B+C+D+E



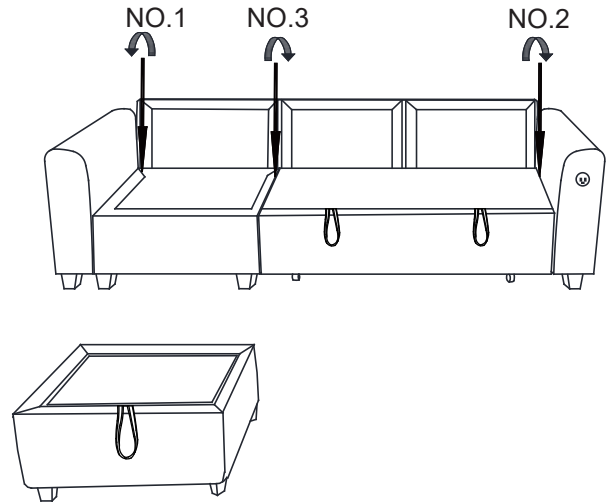
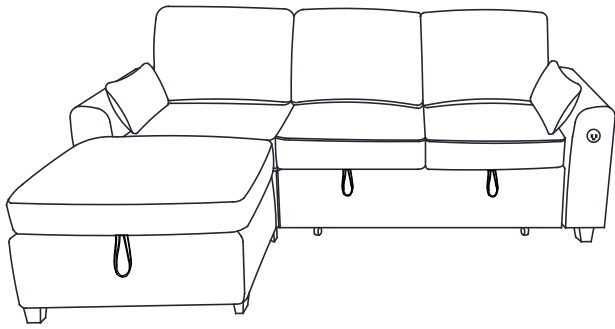
8 Seat Sleeper
Boxes: A+B+B+C+C+E



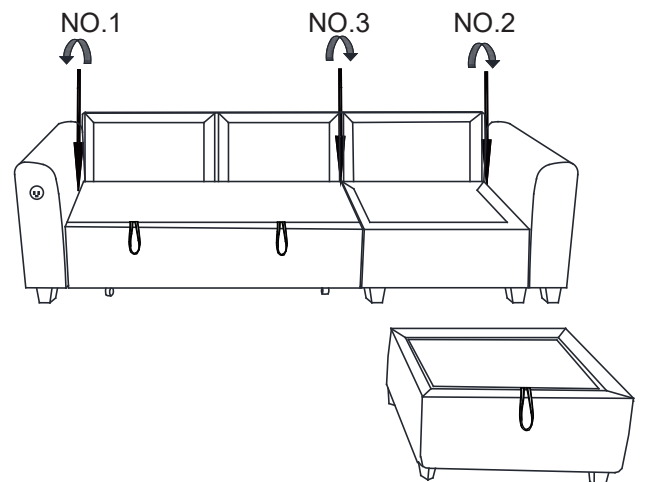
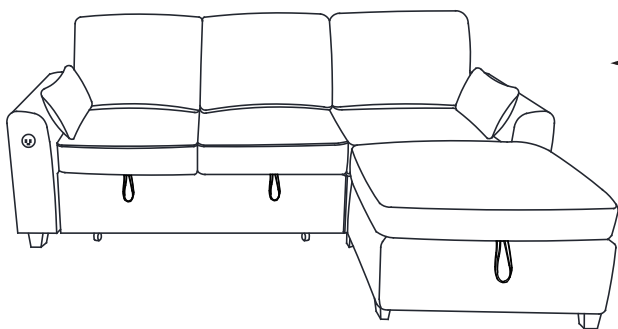
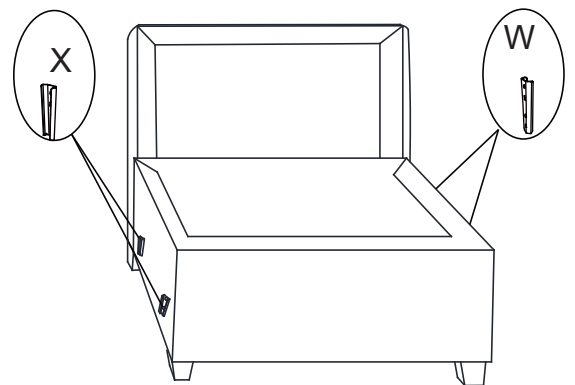
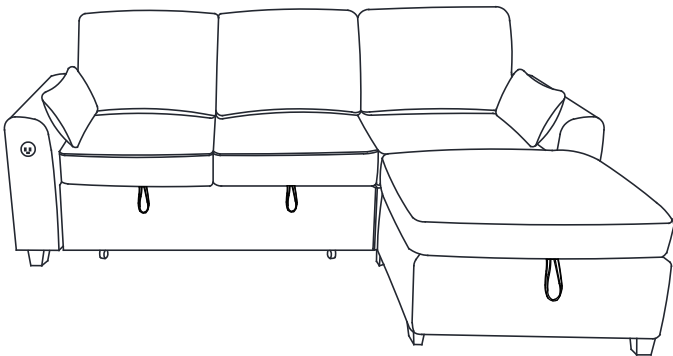
2 Seat Sleeper
Boxes: B+E



3 Seat Sleeper Boxes: B+D+E

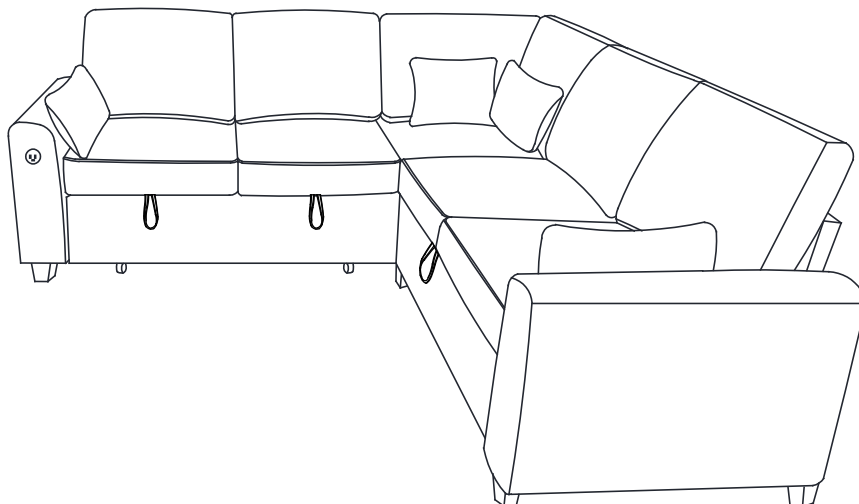
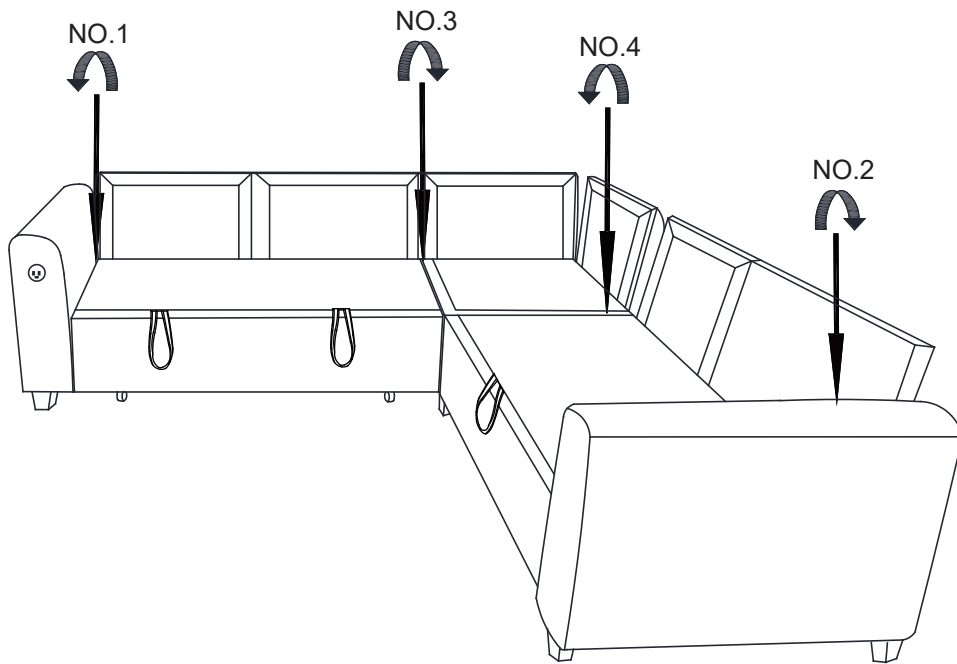
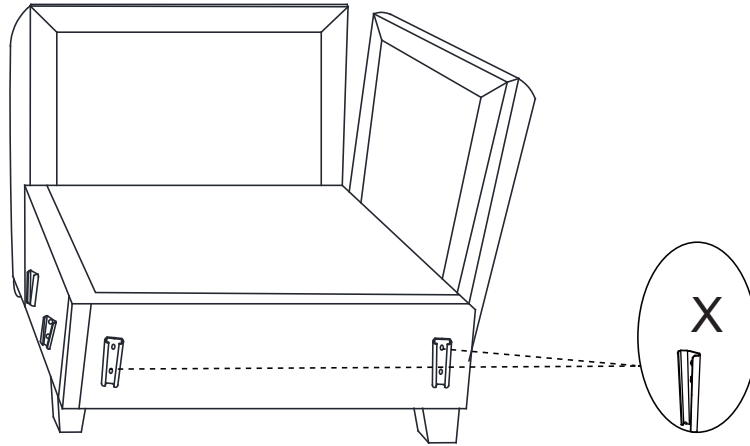


If you want to adjust the placement of the single seat and footrests, you can swap the connector tabs on the single seat to complete the installation.



5 Seat Sleeper Boxes:A+B+C+E

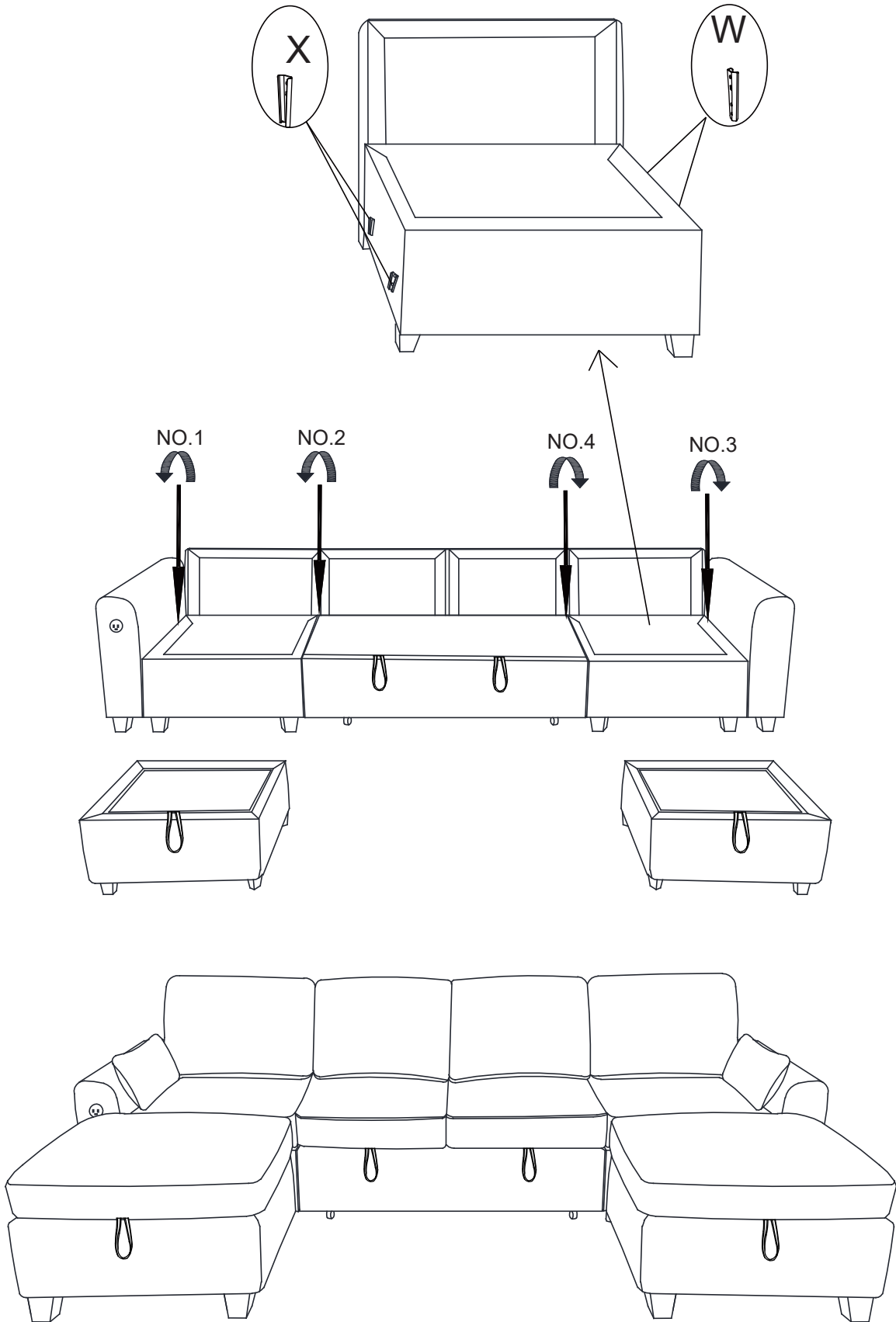
Replace the connector tabs on the corner seats shown in the diagram with Model X to complete the installation.



6 Seat Sleeper

Boxes: B+D+D+E

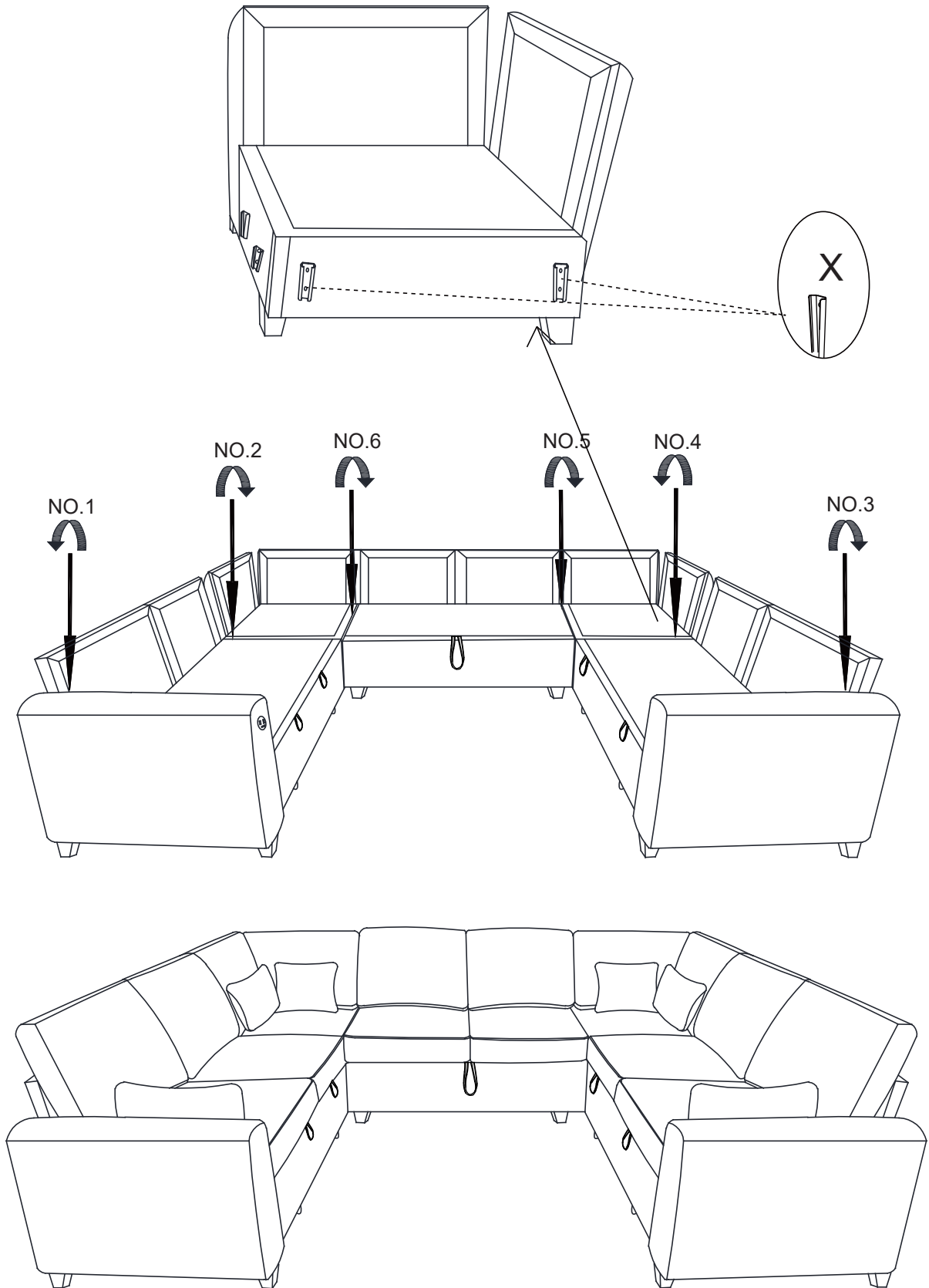
Swap the connector tabs on the single seat shown in the diagram to complete the installation.



8 Seat Sleeper

Boxes:A+B+B+C+C+E

Replace the connector tabs on the corner seats shown in the diagram with Model X to complete the installation.





WARRANTY

1-year Warranty Program

For a period of one (1) years after date of purchase, the Manufacturer will either repair or replace defective components in accordance with this Limited Warranty, This warranty is between the Manufacturer and the original purchaser and is valid only when accompanied by the original purchaser's sales receipt showing original date of purchase

The manufacturer or its authorized dealer can accept or reject warranty claims based on its findings. This warranty applies in normal residential use only and is not intended for commercial use. The Manufacturer can make substitutions as required of materials, components, and sub-components of comparable value and utility. This warranty is limited to product repair or replacement (to be determined solely by the Manufacturer). Warranty return is limited to only the single affected component.

This limited warranty covers only manufacturing defects and does not cover normal wear and tear, damage due to acts of nature (such as, but not limited to freezing or high winds), abuse or misuse, including chemical damage from suntan oil or other chemicals, exposure to extreme heat or cold, abrasion or excessive weight. This product is intended to be used in standard installations only, This warranty is void if the product is not used for its intended purpose, The Manufacturer disclaims liability for any aspect of installation and any inconvenience caused by a defective part of a component

Certain items are not covered by this warranty. These include, but are not limited to the following:

1. Components subjected to abuse, including abuse intended to simulate failure
2. Damages caused by retailer, shipper or installation error (such as scratches, dents, tears, chips, etc.
3. Any part that only shows normal wear and tear on the surface, including debris, scratches, or material stretching and stitching.
4. Tears, punctures, scratches or any damage caused by improper installation or use.

General care & maintenance

Only clean using a damp cloth and mild detergent, do not use bleach or abrasive cleaners.

*** If you need after-sales service, please provide the original purchase record and a brief description of the problem. Please also provide your email address or mobile number**