
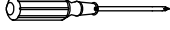
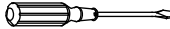


# ASSEMBLY INSTRUCTIONS

## VALEN CHANNEL FRONT SIDEBORD

ASSEMBLY REQUIREMENTS	1.5 Hours Assembly Time (Approximate)	2 -Person Assembly 	Tools Required (Not Provided): Phillips Screwdriver  ⊕ Flat Head Screwdriver  ⊖
-----------------------	---	---	---

### Thank you for purchasing our product!

Please refer and use this assembly instruction to assemble the product.  
Contact our customer service department in case there are any missing or damage parts or hardware.  
Replacement parts are normally shipped within 2 or 3 days.

### ASSEMBLY PREPARATION

1. Remove all packaging materials, staples and packing straps from the carton.
2. Refer to Parts List and Hardware List and ensure they are correct before assembly.  
Contact customer service for missing parts.
3. Place all wooden parts on a clean, flat and soft surface (e.g. carpet or rug) to prevent parts from getting scratched.

### SAFETY PRECAUTION:

1. KEEP ALL HARDWARE PARTS OUT OF REACH OF CHILDREN.
2. DISPOSE PLASTIC PACKAGING MATERIAL IMMEDIATELY TO AVOID ANY RISK OF SUFFOCATION TO CHILDREN AND ANIMALS.

### TIPS FOR ASSEMBLY:

1. Allow ample room for assembly and in close proximity to where product will be placed.
2. Assemble the product on a surface that does not scratch or damage the exterior gloss and finish of the furniture.
3. Identify all of the parts, hardware and quantities required for each step.
4. During assembly, do not over-tighten any fittings as this may cause damage.
5. DO NOT USE POWER TOOLS TO ASSEMBLE THIS PRODUCT.
6. Always place the product on a flat, level surface.
7. Do not sit or stand on the partially assembled product; only use the product for which it is intended.

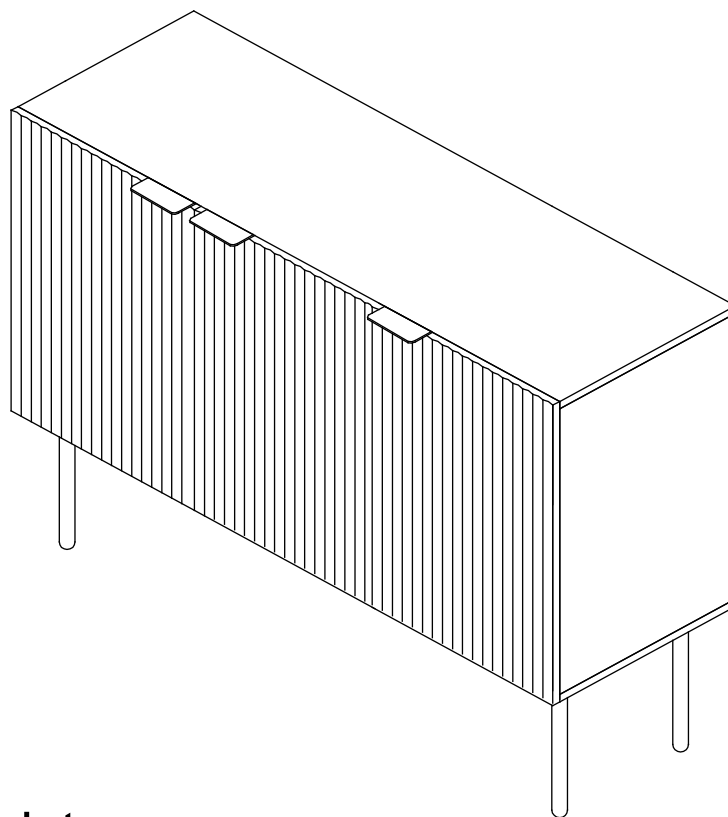
### CARE AND MAINTENANCE

- Use a slightly damp cloth to clean the product. Do not use bleach or abrasive cleaning material.
- Check all the fittings periodically and re-tighten as necessary. Do not use the product if any of the parts is damaged or broken.
- Never allow any kind of liquid to remain on your furniture. Absorption can cause wood to warp or delaminate.
- Do not place hot items (e.g. hot drinks) directly onto the wood surface.
- Do not drag and/or pull the furniture.




















This product is for indoor and household use only - not for commercial use.

# ASSEMBLY INSTRUCTIONS

## VALEN CHANNEL FRONT SIDEBOARD



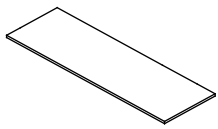
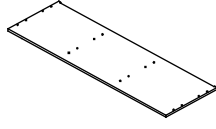
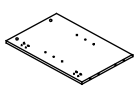
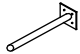
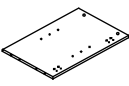
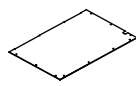
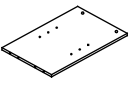
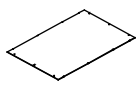
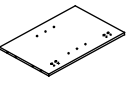

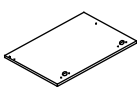
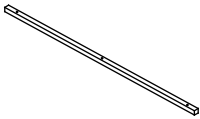
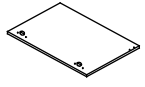
### Hardware List

ITEM	DESCRIPTION	PART	QTY	ITEM	DESCRIPTION	PART	QTY
A	Cam-Bolt	 6*35mm	8 pcs	K	Hinge		2 pcs
B	Cam-Lock	 15*10mm	8 pcs	L	Screw	 4*12mm	2 pcs
C	Wood Dowel	 8*30mm	16 pcs	M	Bracket For Wall Connection		2 pcs
D	Screw	 3.5*14mm	36 pcs	N	Allen Key		1 pc
E	Screw	 7*40mm	8 pcs	O	Bolt	 6*14mm	16 pcs
F	Screw	 3.5*12mm	6 pcs	P	Sticker		6 pcs
G	Handle		3 pcs	Q	Plastic Anchor		2 pcs
H	Screw	 2.5*10mm	34 pcs	R	Screw	 3.5*40mm	2 pcs
I	Shelf Pin		12 pcs	S	Bolt	 6*30mm	3 pcs
J	Hinge		4 pcs				

# ASSEMBLY INSTRUCTIONS

## VALEN CHANNEL FRONT SIDEBOARD

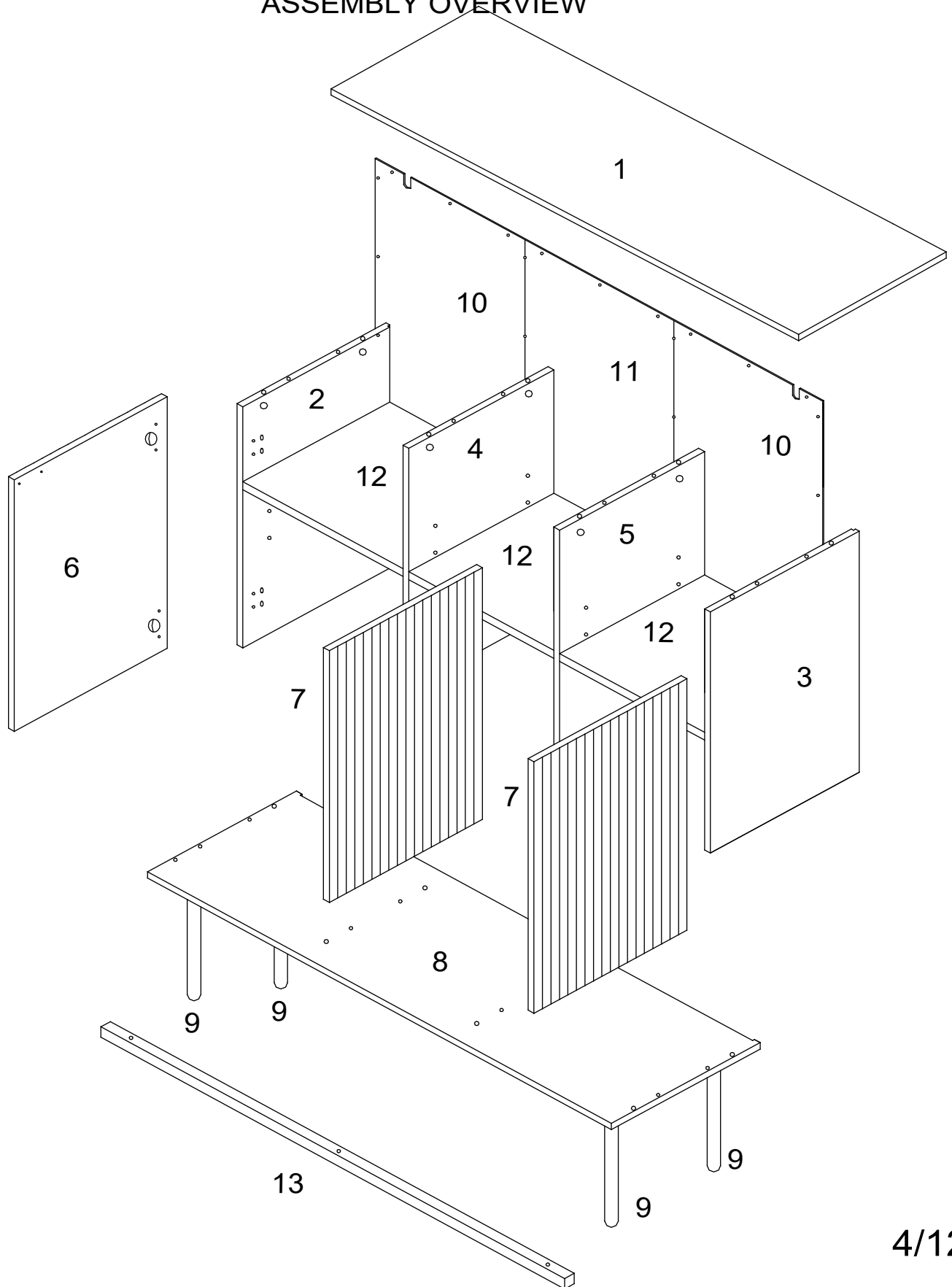
### Parts List

ITEM	DESCRIPTION	PART	QTY	ITEM	DESCRIPTION	PART	QTY
1	Top Panel		1 pc	8	Bottom Panel		1 pc
2	Left Panel		1 pc	9	Leg		4 pcs
3	Right Panel		1 pc	10	Side Back Panel		2 pcs
4	Left Divide Panel		1 pc	11	Middle Back Panel		1 pc
5	Right Divide Panel		1 pc	12	Adjustable Shelf		3 pcs
6	Left Door		1 pc	13	Metal Bar		1 pc
7	Middle and Right Door		2 pcs				

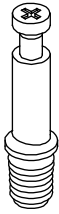
# ASSEMBLY INSTRUCTIONS

## VALEN CHANNEL FRONT SIDEBOARD

### ASSEMBLY OVERVIEW



# Instructions For Fastening CAM-BOLT AND CAM-LOCK

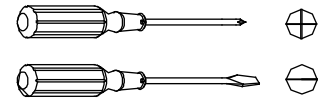


CAM-BOLT

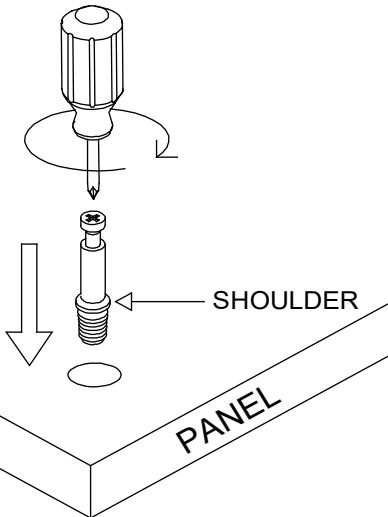


CAM-LOCK

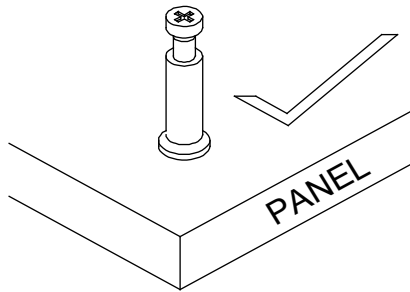
## Tools Required



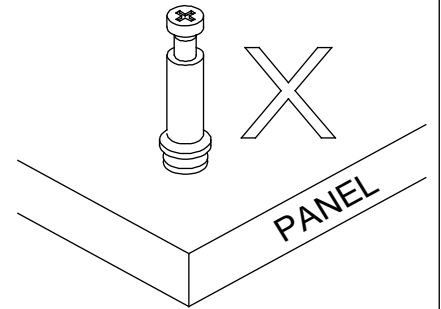
### INSERTING AND TIGHTENING CAM-BOLT



Place Cam-bolt on pre-drilled hole and screw in vertically.



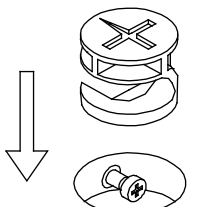
Shoulder is flushed (on the same level) with the panel.



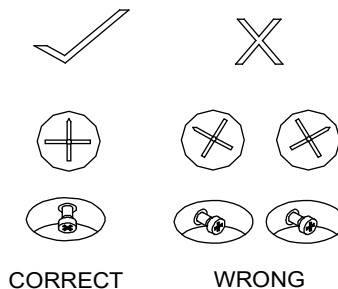
Shoulder is above the panel.

Place Cam-bolt to the designated pre-drilled holes on the panel. Use a Phillips Screwdriver to tighten Cam-bolt vertically until shoulder is flushed (on the same level) with panel. Do not over-tighten or under-tighten.

### INSERTING CAM-LOCK



Insert Cam-lock with arrow align to Cam-bolt head.



CORRECT

WRONG

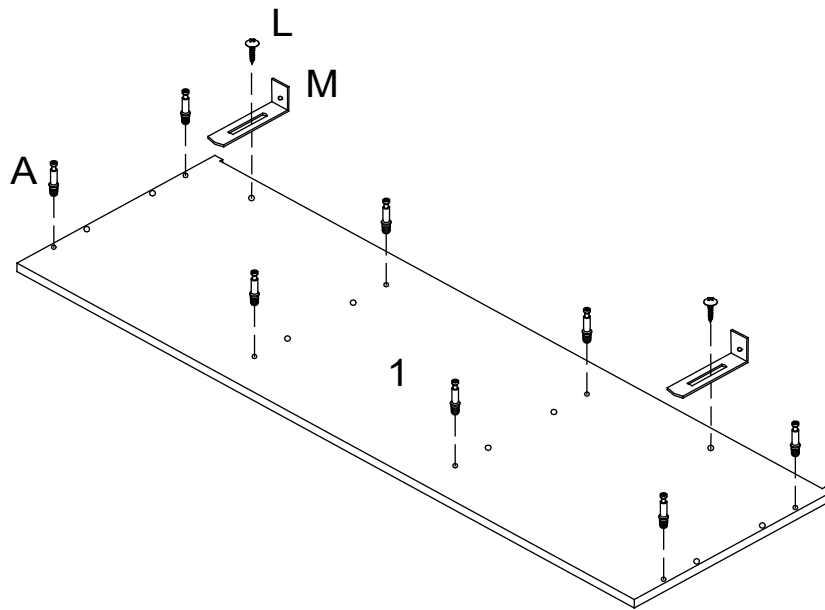
Align the arrow on the Cam-lock to the Cam-bolt head and insert the Cam-lock. Ensure Cam-lock is fully inserted.

### TIGHTENING CAM-LOCK

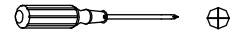


Use a Flat-head Screwdriver to turn Cam-lock clockwise so it locks onto the head of the Cam-bolt. Turn until it is snug (about 3/4ths of a turn) -- over-tightening could damage Cam-lock or/and Cam-bolt.

# STEP 1

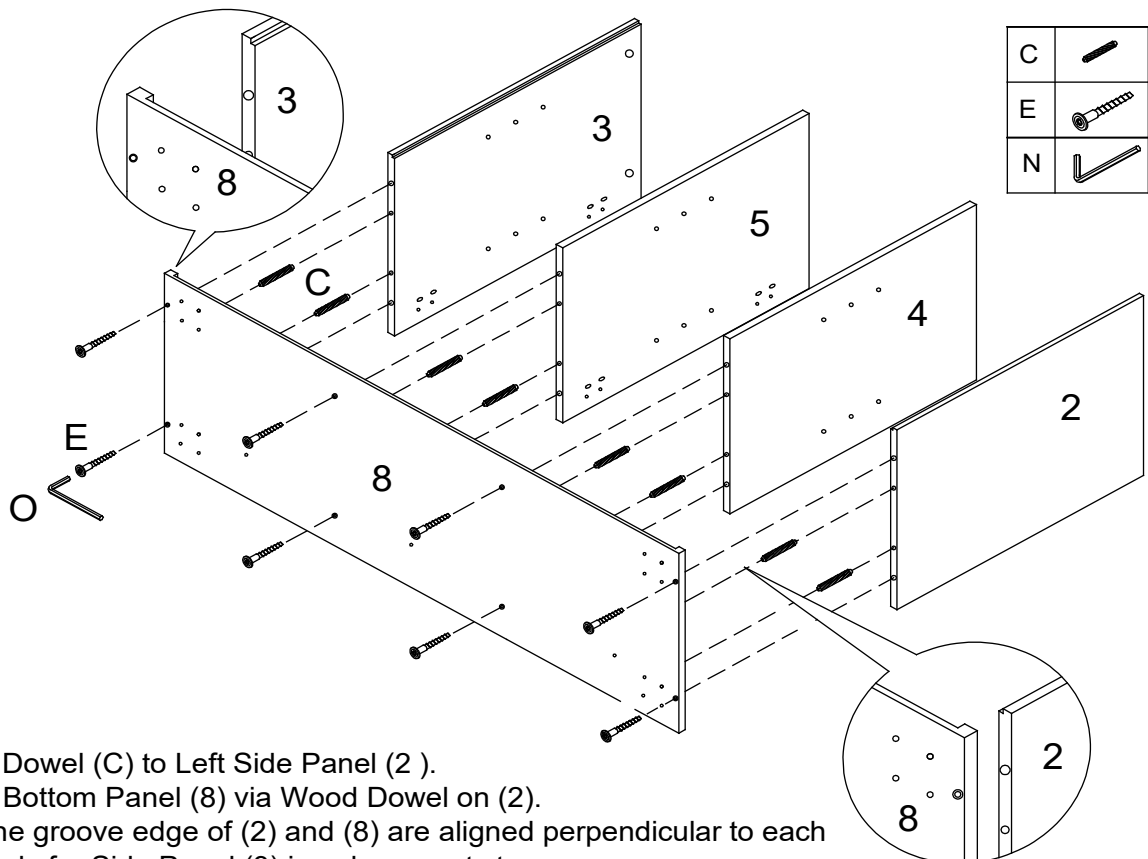


A		8 pcs
L		2 pcs
M		2 pcs



- Lay Top Panel (1) bottom-side on a material that does not scratch or damage the part.
- Screw in Cam-bolt (A) into the designated holes on (1). Refer to Page 5 for instructions on inserting and tightening Cam-bolt.
- Attach Bracket (M) to (1) by using Screw (L) as shown.

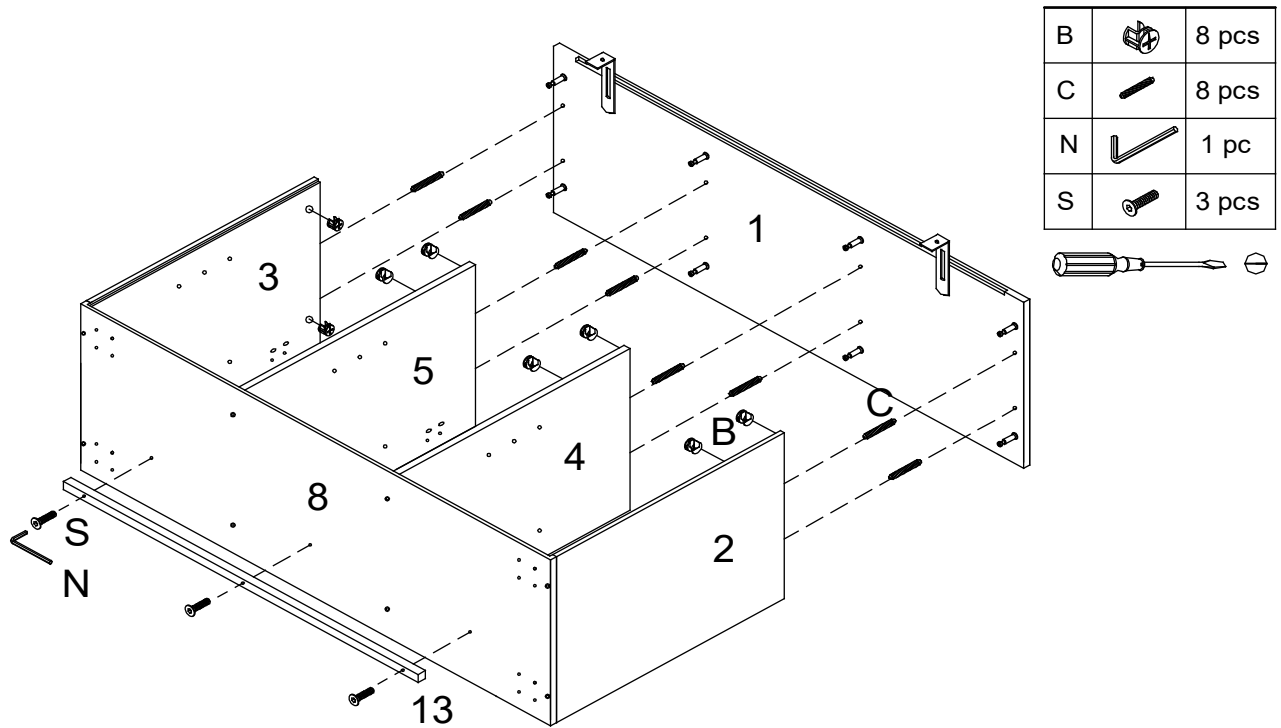
# STEP 2



C		8 pcs
E		8 pcs
N		1 pc

- Insert Wood Dowel (C) to Left Side Panel (2).
- Attach (2) to Bottom Panel (8) via Wood Dowel on (2).  
Check that the groove edge of (2) and (8) are aligned perpendicular to each other - similarly for Side Panel (3) in subsequent step.
- Insert Screw (E) and tighten by using Allen Key (O).
- Repeat Step a) to c) to assemble Panel (3, 4 & 5).

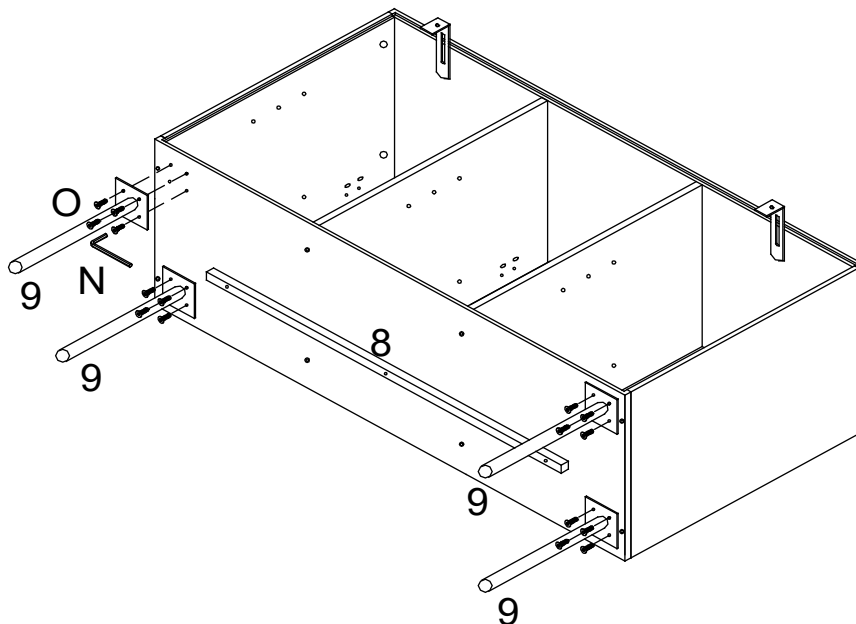
## STEP 3



- Insert Wood Dowel (C) into inner two holes on top edge of Side Panel (2 & 3) and Divide Panel (4 & 5).
- Attach Top Panel (1) to (2, 3, 4 & 5) via Wood Dowels and Cam-bolts on (1).
- Insert Cam-lock (B) into the holes on (2, 3, 4 & 5) then turn clockwise to lock onto Cam-bolt. Refer to Page 5 for instructions on inserting and tightening Cam-lock.
- Attach Metal Bar (13) to Bottom Panel (8) with Bolt (S). Tighten Bolt (S) with Allen Key (N).

## STEP 4

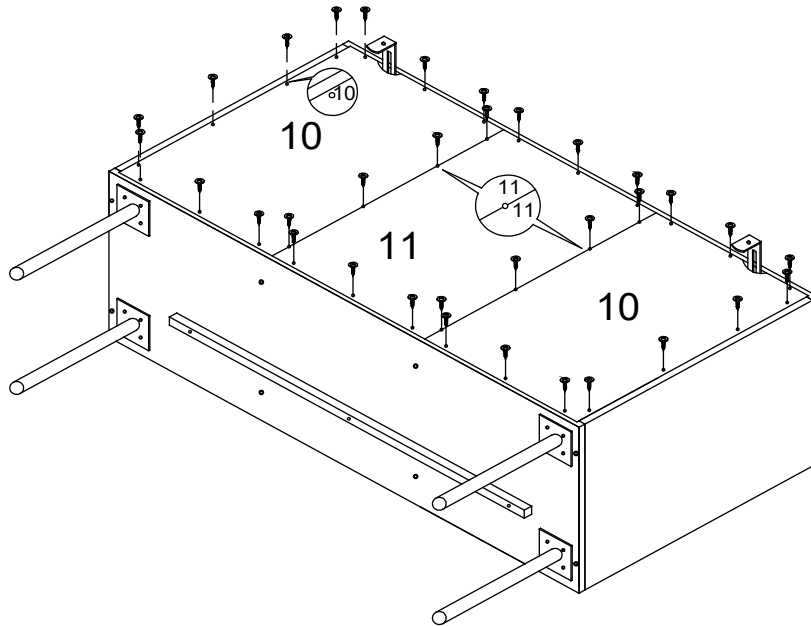
O		16 pcs
---	---	--------



- Position Leg (9) to Bottom Panel (8) and align screw holes on Leg (9) and pilot holes on Bottom Panel (8) as shown and fasten with Bolt (O).
- Tighten Bolt (O) with Allen Key (N). Do not tighten the bolts completely until all four bolts are in place on each leg.




# STEP 5

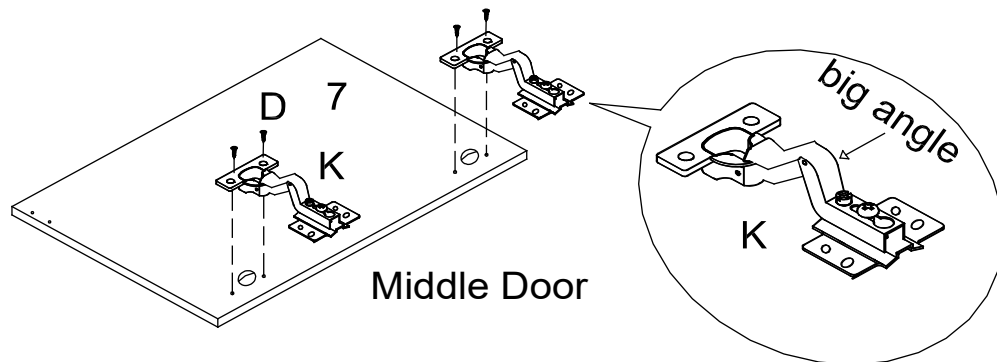
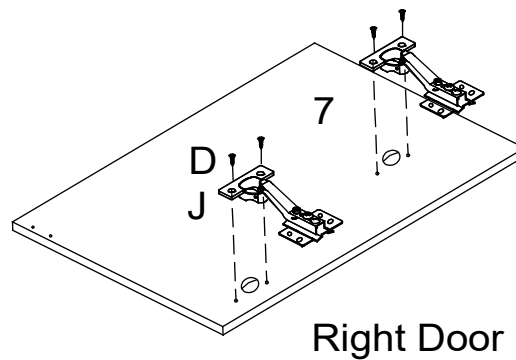
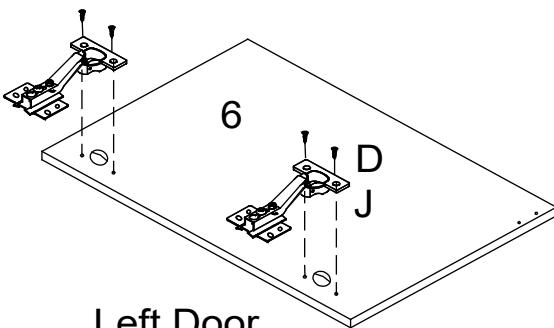
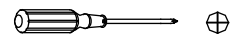
H		34 pcs
---	--	--------



Fit Back Panel (10 & 11) squarely between Top, Bottom and Side Panels - check that there is no gap between any of the panels. Next, use Screw (H) to fasten the back panels.

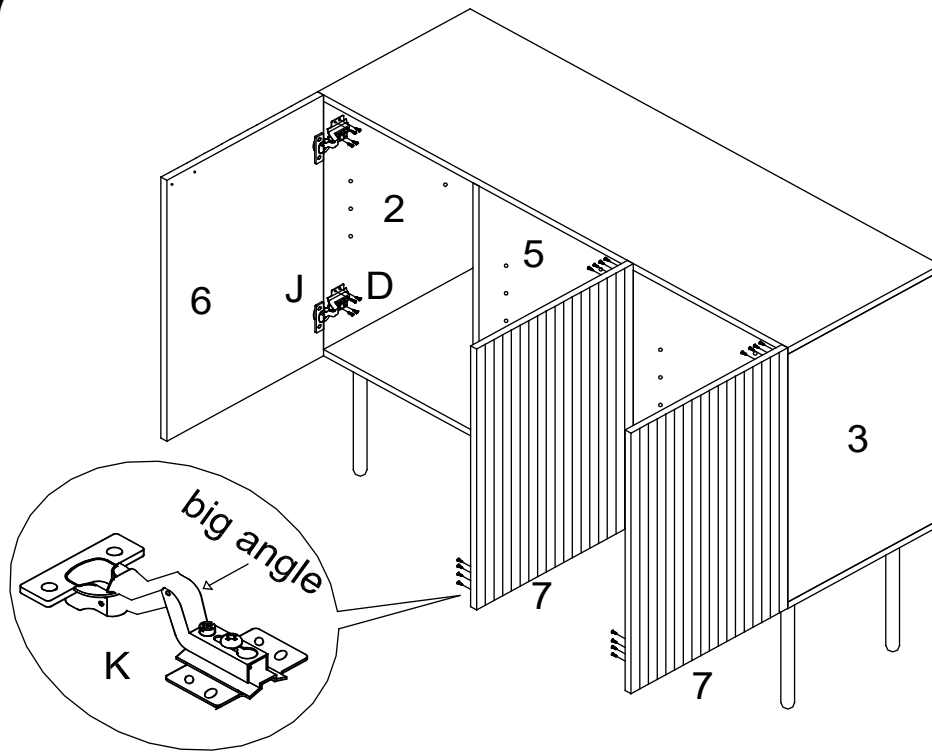
# STEP 6

D		12 pcs
J		4 pcs
K		2 pcs



- Install Hinge (J) to Left Door (6) and Right Door (7) and install hinge (K) to Middle Door (7).
- Use Screw (D) to fasten Hinge. Do not tighten screw completely until both screws are in place on each hinge.

## STEP 7

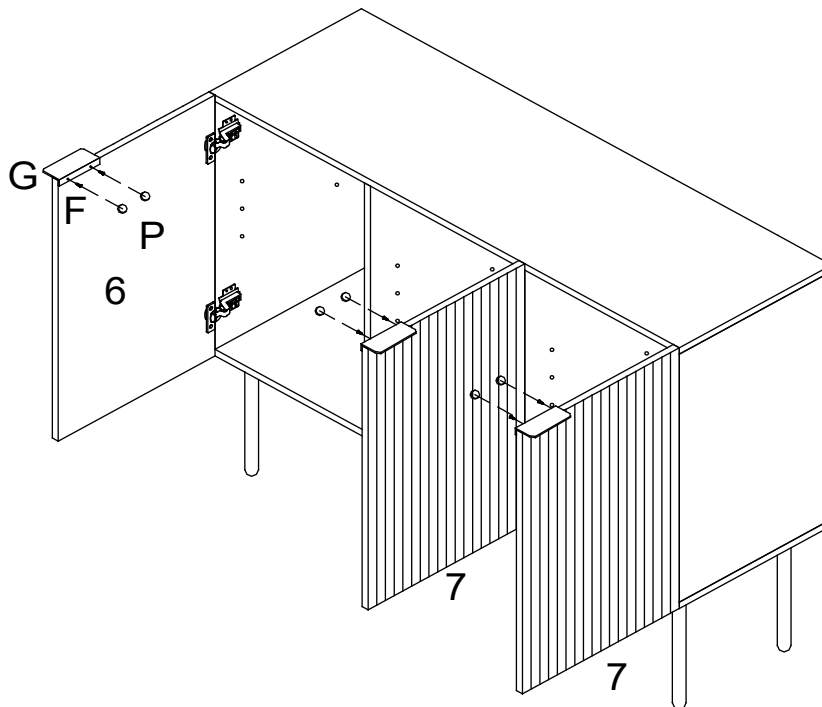



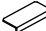

D		24 pcs
---	--	--------

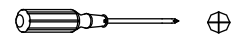


Use Screw (D) to fasten Left Door (6) and Right Door (7) - both with Hinge (J) - to Left Panel (2) and Right Panel (3), respectively. Next, use Screw (D) to fasten Middle Door (7) - with Hinge (K) - to Right Divide Panel (5).

## STEP 8

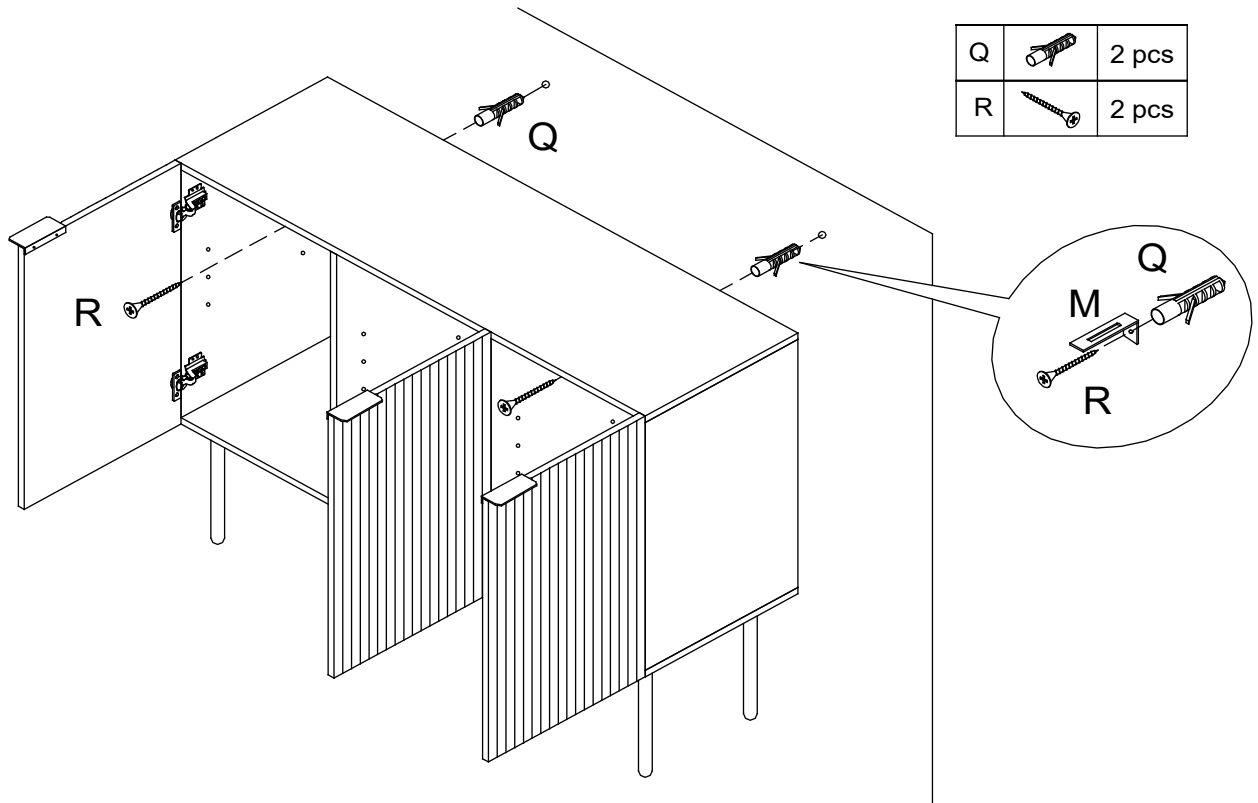


F		6 pcs
G		3 pcs
P		6 pcs



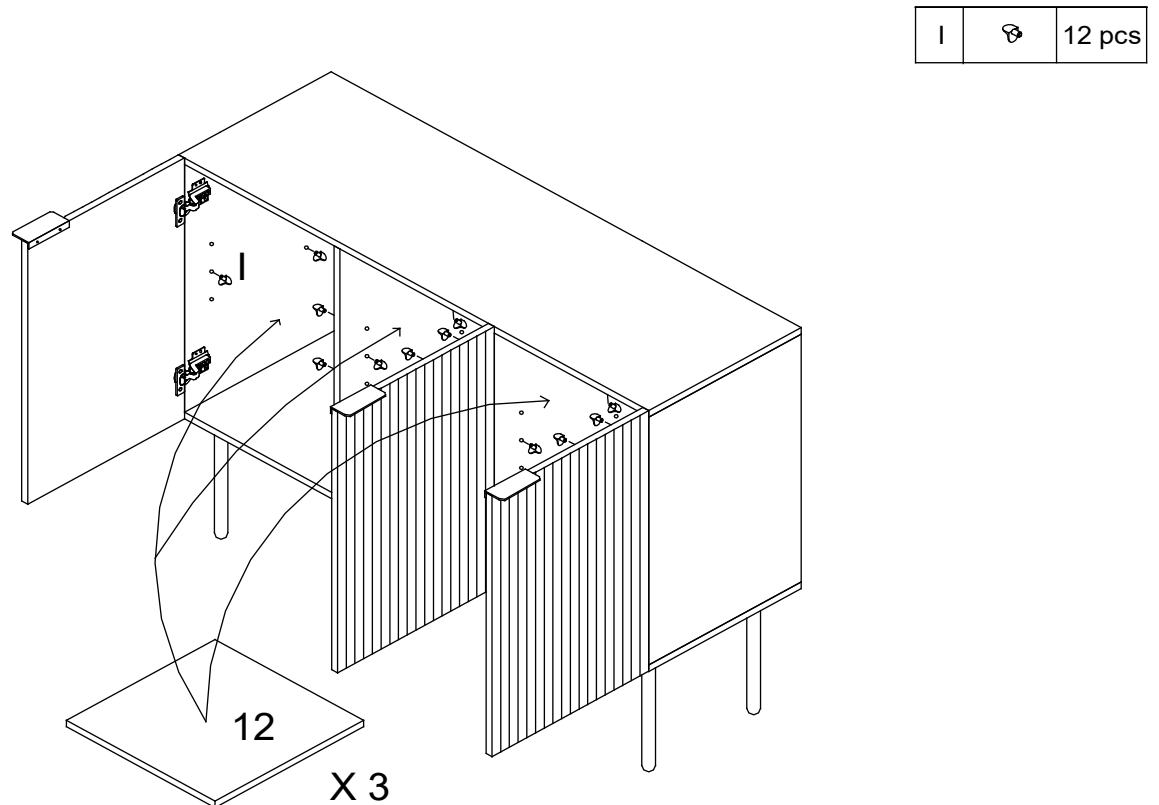
- Attach Handle (G) to Door with Screw (F).
- Conceal the screw holes with Sticker (P).

## STEP 9



- Drill two holes in the dry wall as per the length and diameter of Plastic Anchor (Q) and the distance between the holes and the height need to be the same as the screw holes on Bracket (M).
- Press Plastic wall anchor (Q) into the 2 drilled holes. Ensure that the anchor fits securely in the wall.
- Drive Screw (R) through the screw hole on adjustable Bracket (M) into the screw hole on (Q) to secure the Sideboard to the wall.

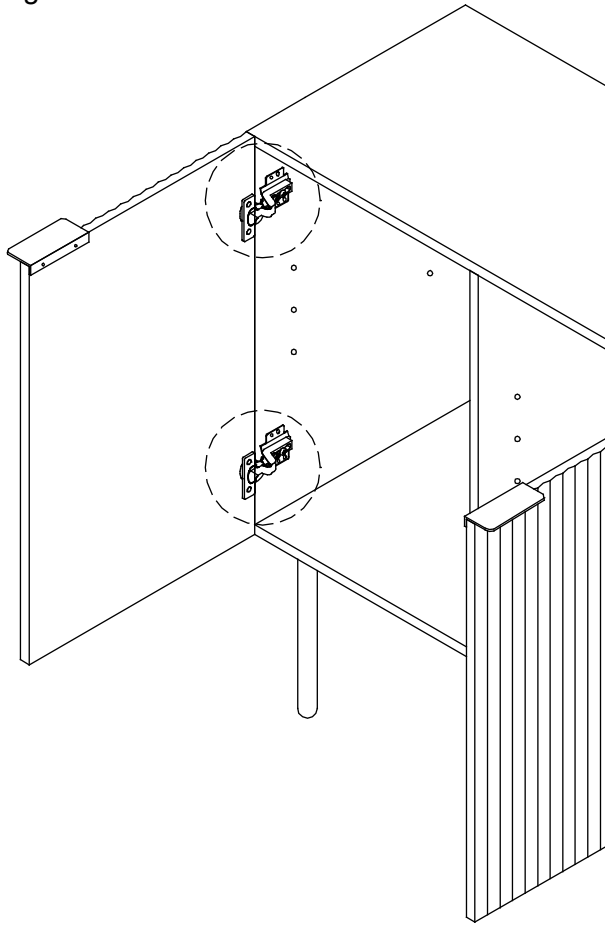
## STEP 10



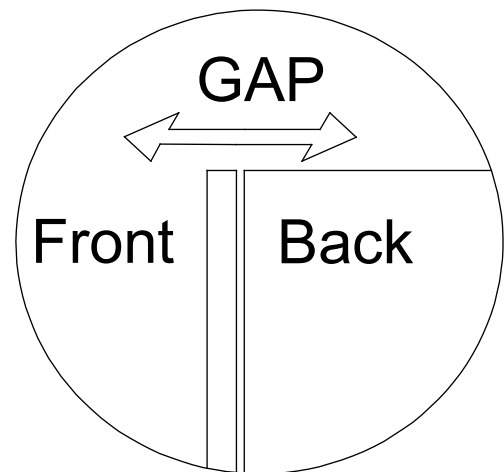
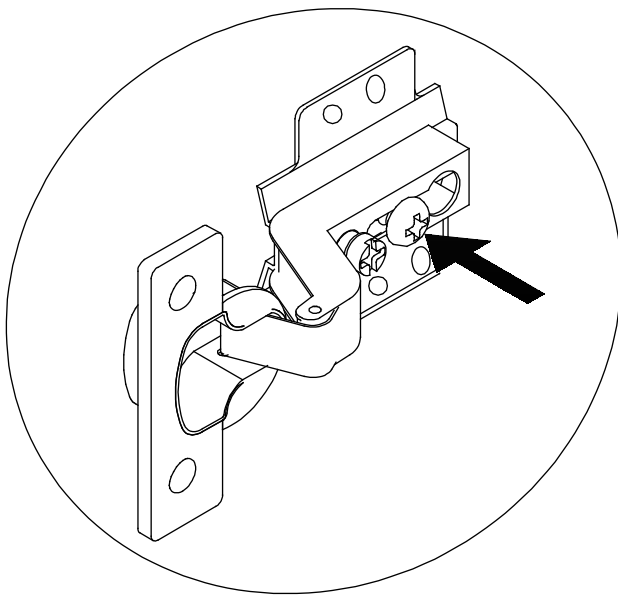
Insert Shelf Pin (I) and place the Adjustable Shelf (12) on it.

# STEP 11

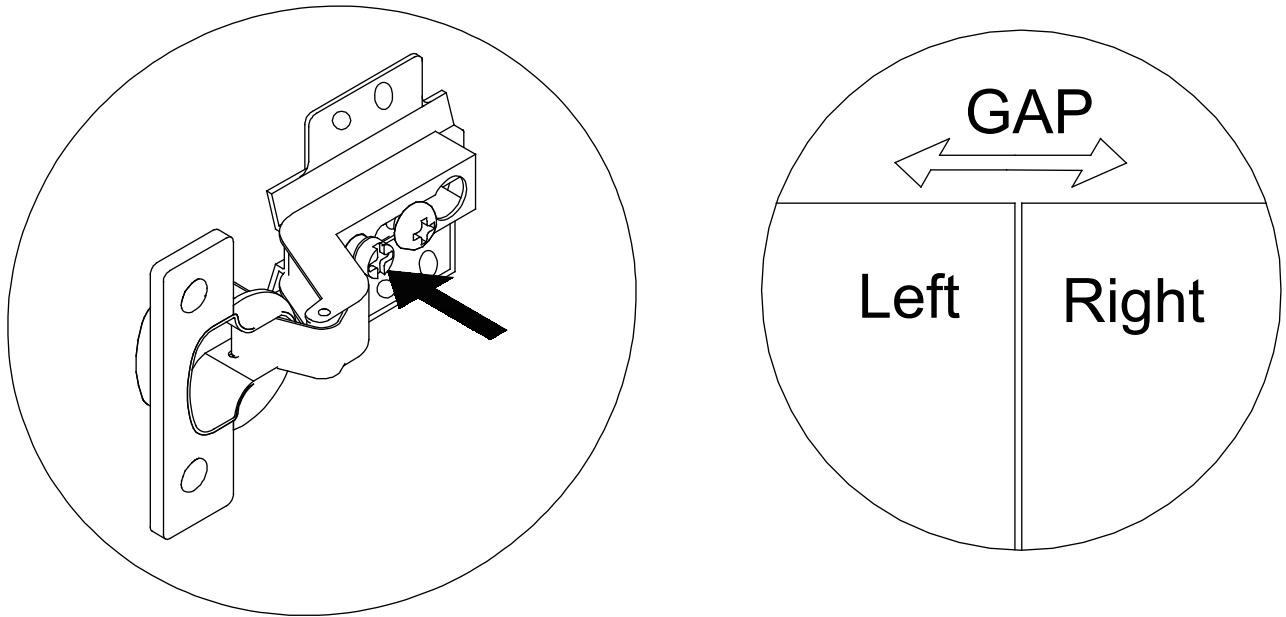
If needed and for better doors alignment, please apply step A and/or B and/or C until the doors are aligned.



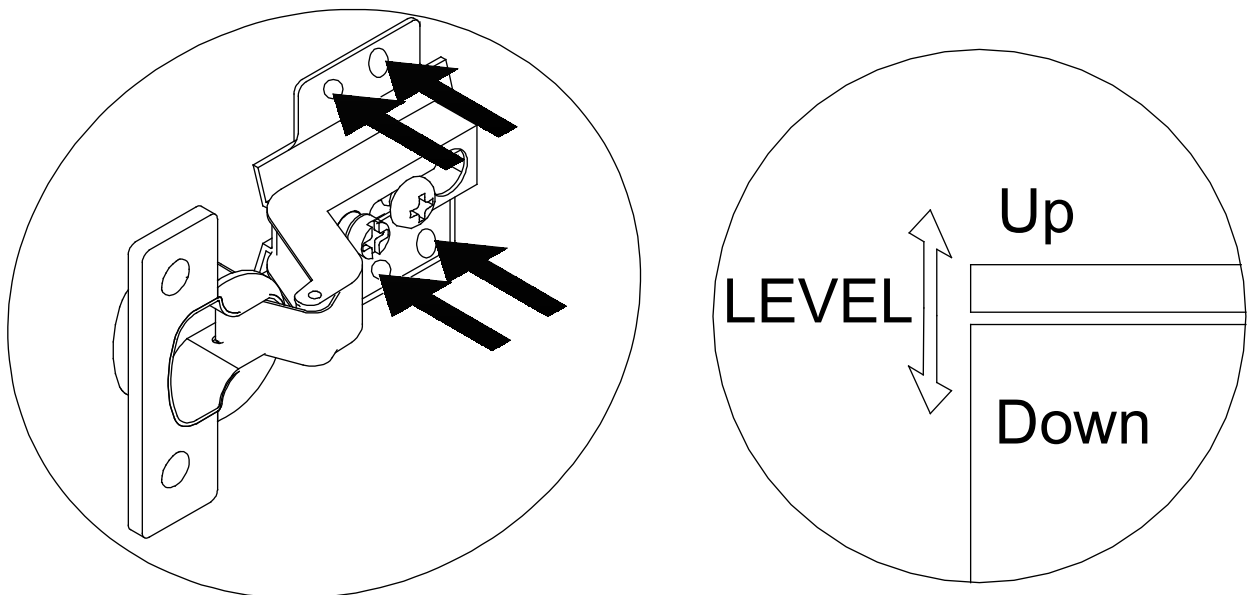
A. If the door front and back are not aligned, adjust the back screw as shown.



B. If the door left and right are not aligned, adjust the front screw as shown.



C. If the doors are not levelled, adjust the four screws as shown.



The assembly of the sideboard is complete.