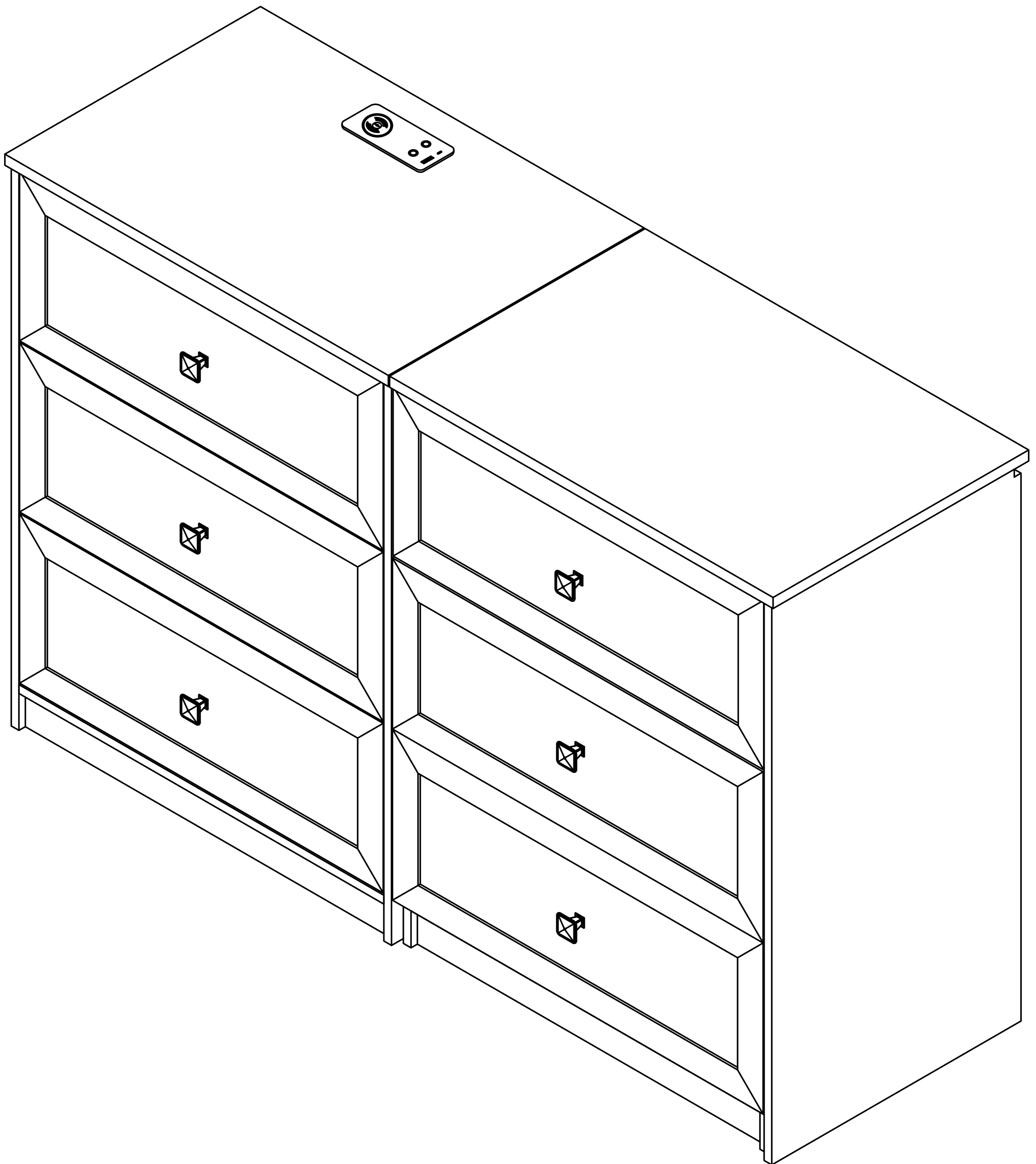
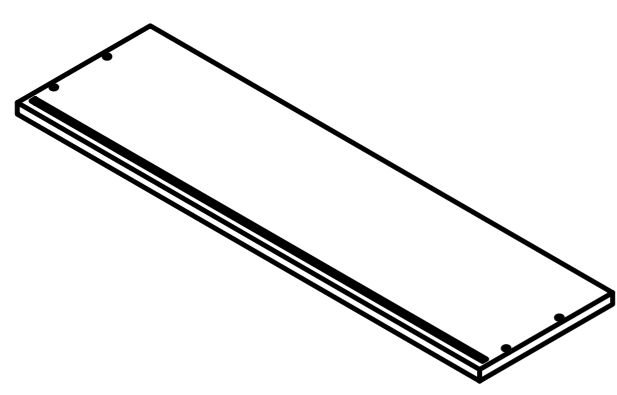
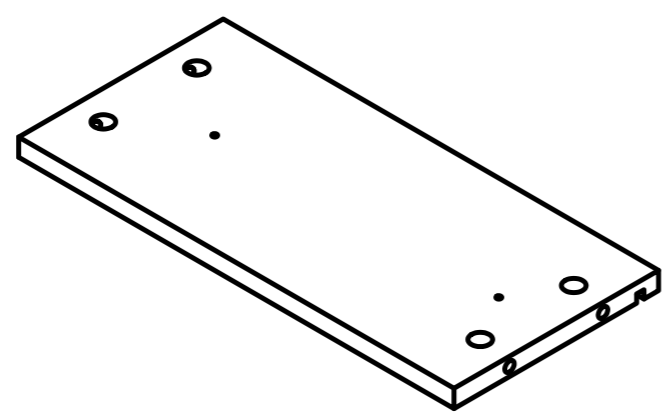


Product Installation Instructions

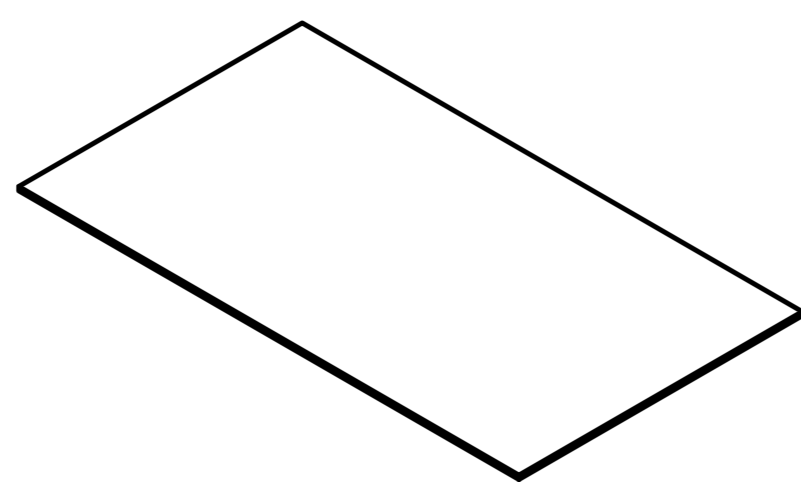




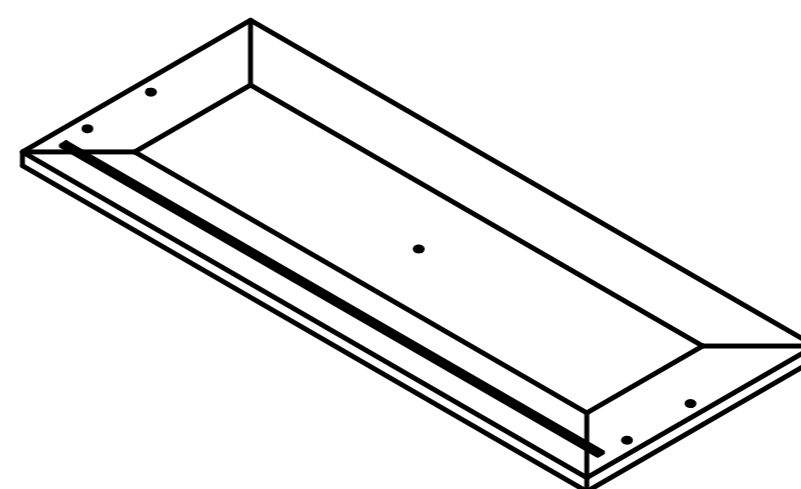
1x3



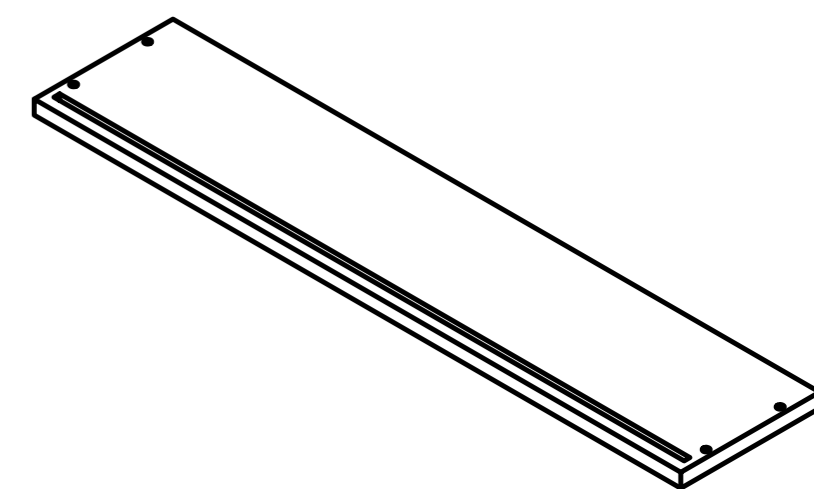
2x6



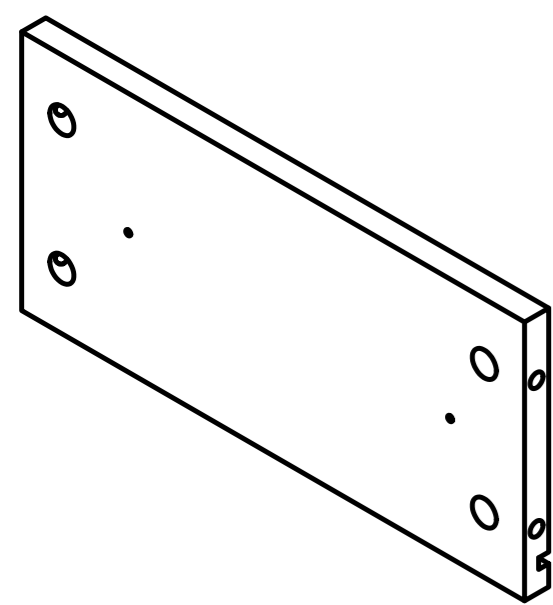
3x3



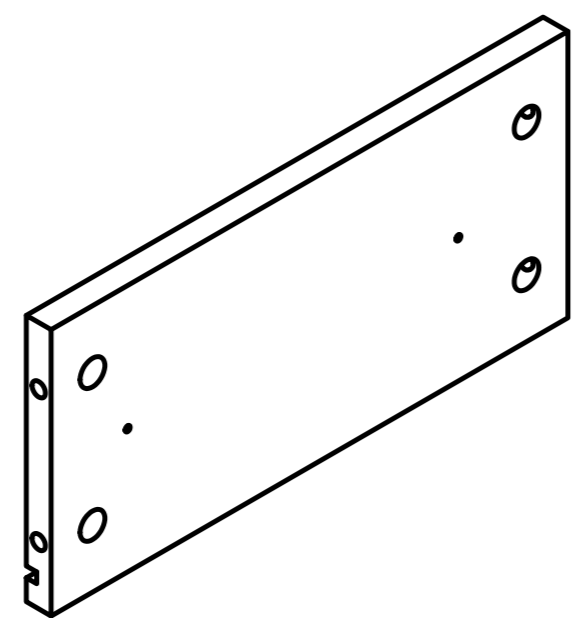
4x3



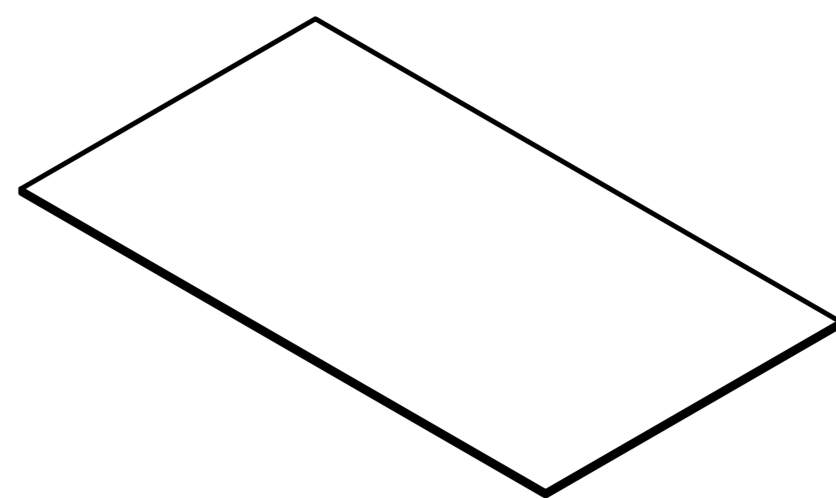
5x1



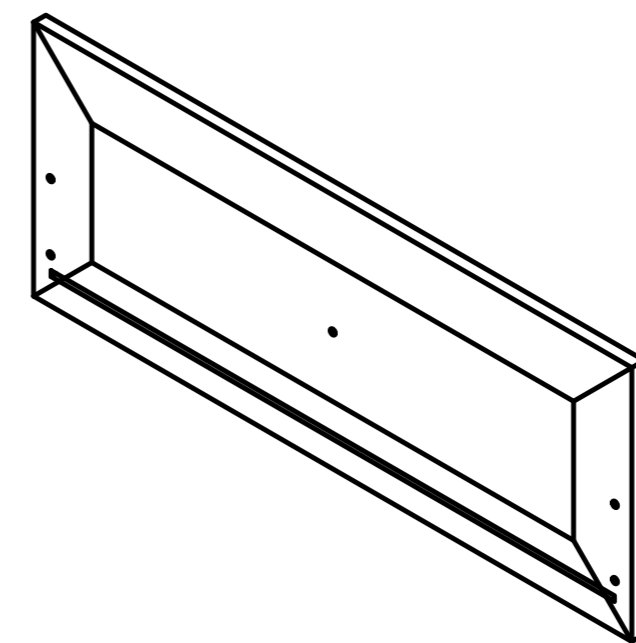
6x1



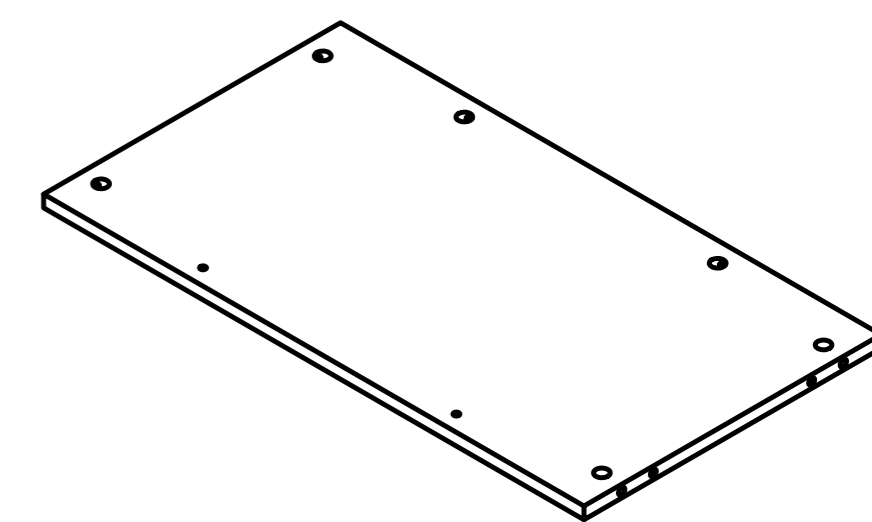
7x1



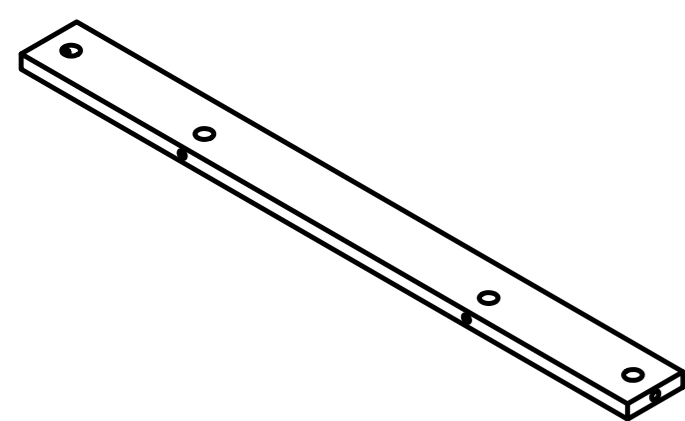
8x1



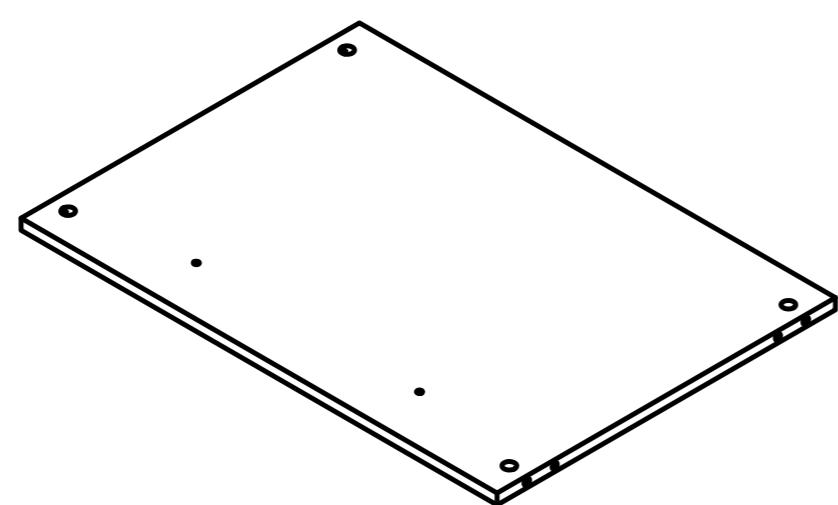
9x1



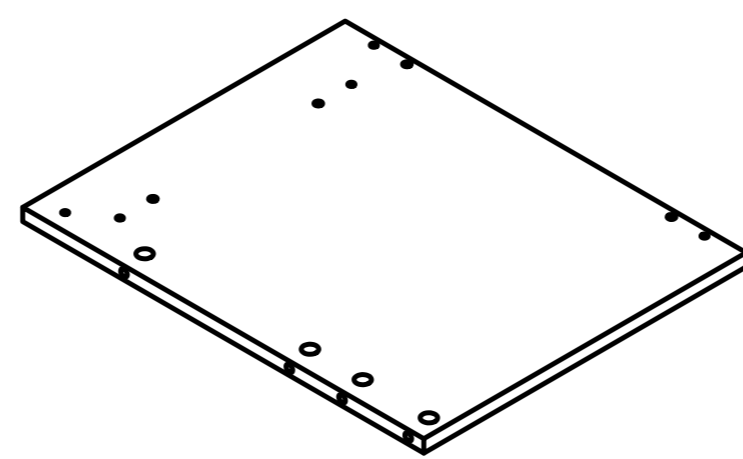
10x1



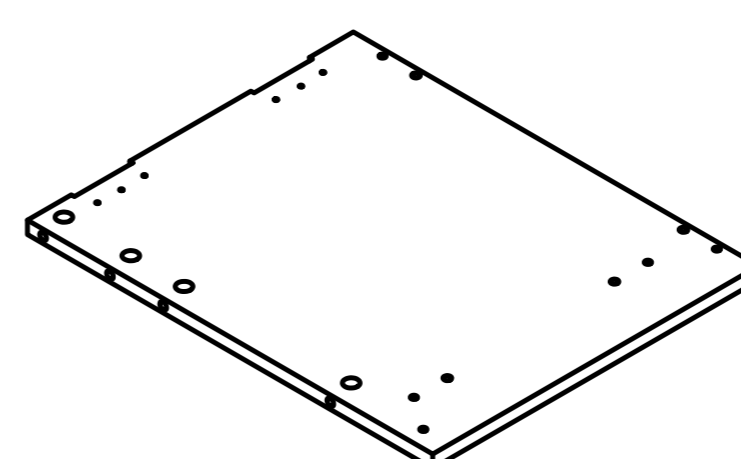
11x1



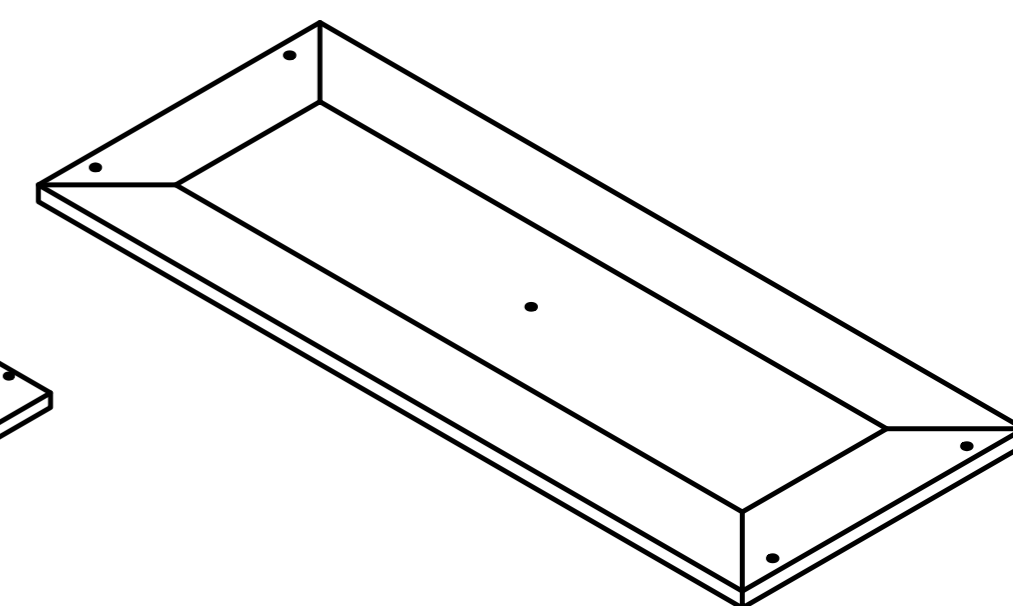
12x1



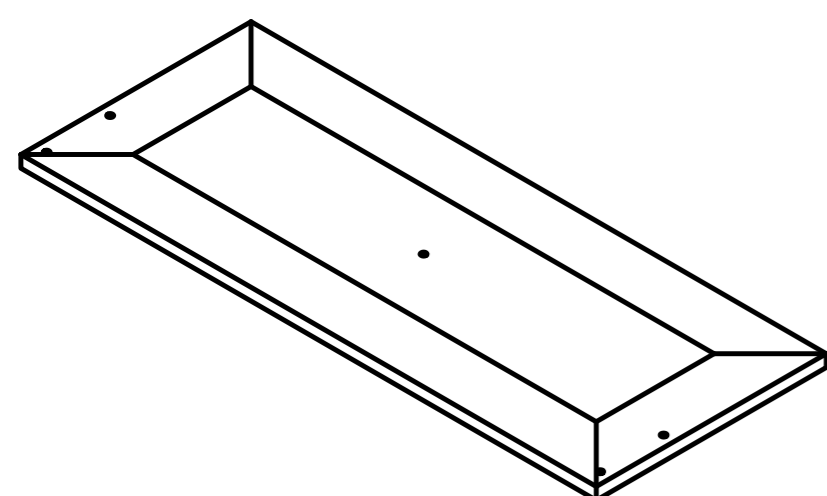
13x1



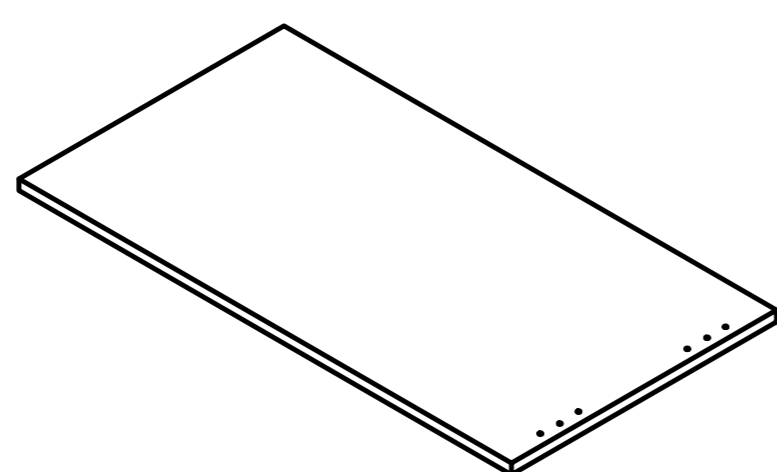
14x1



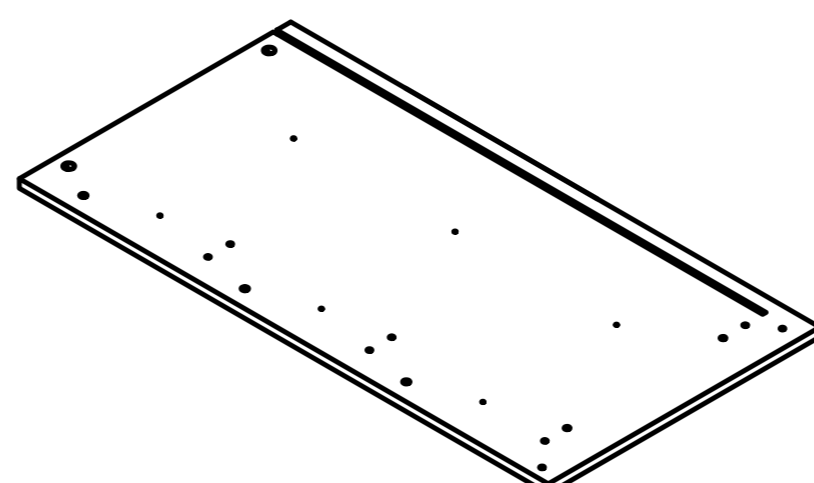
15x1



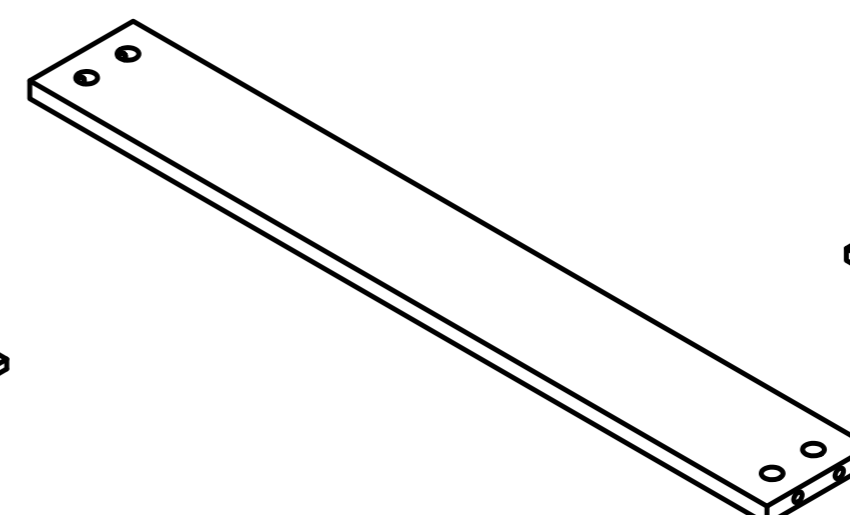
16x1



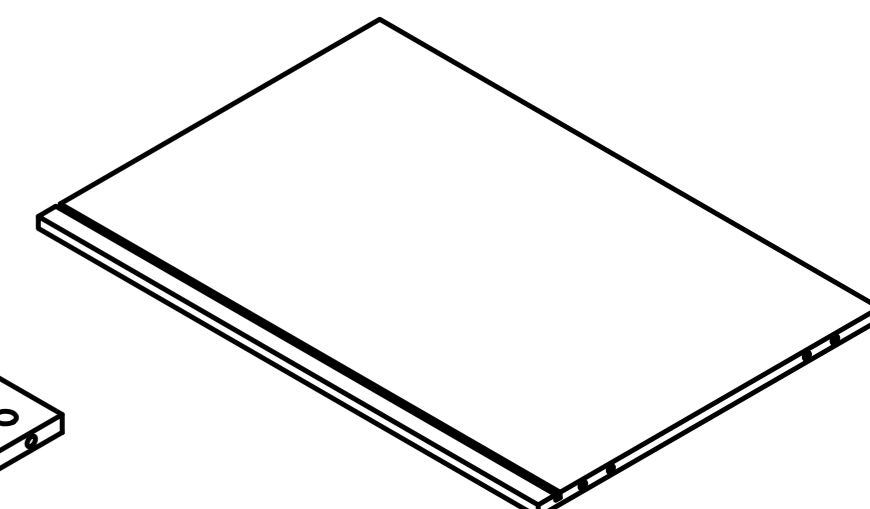
17x1



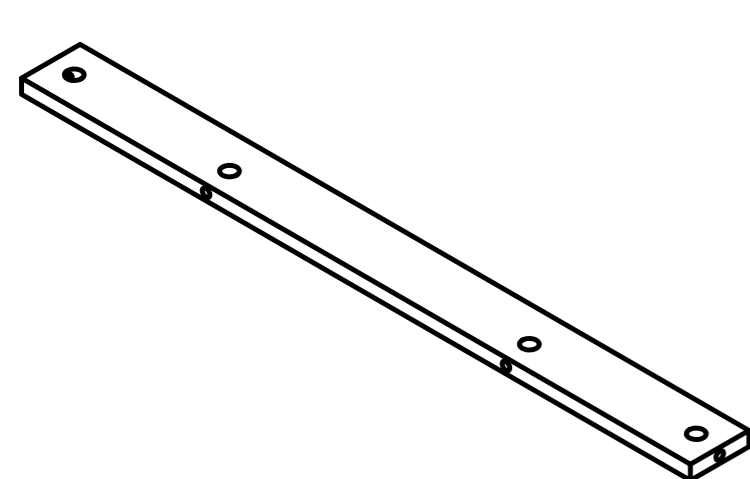
18x1



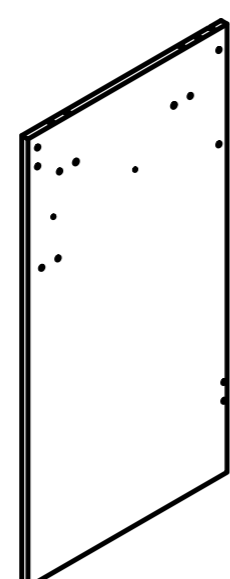
19x2



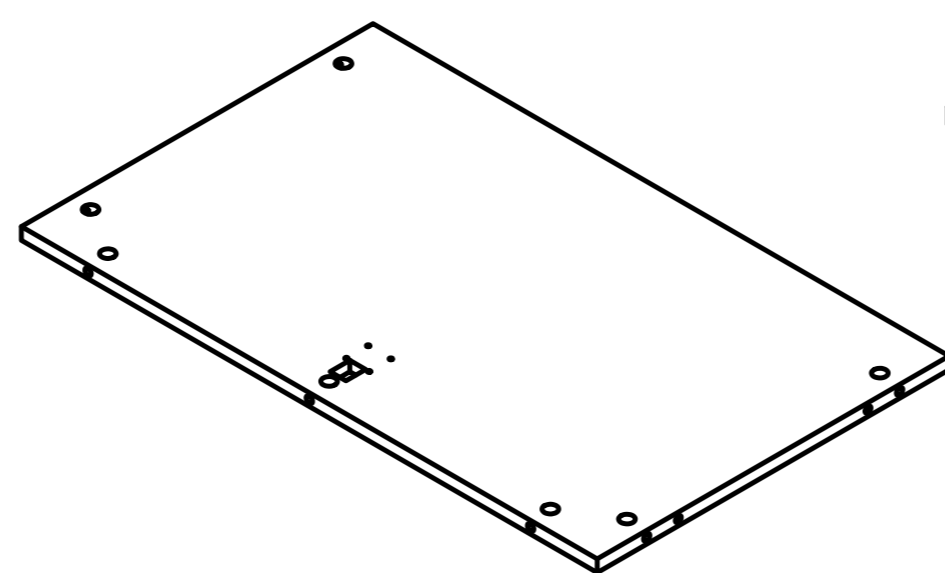
20x1



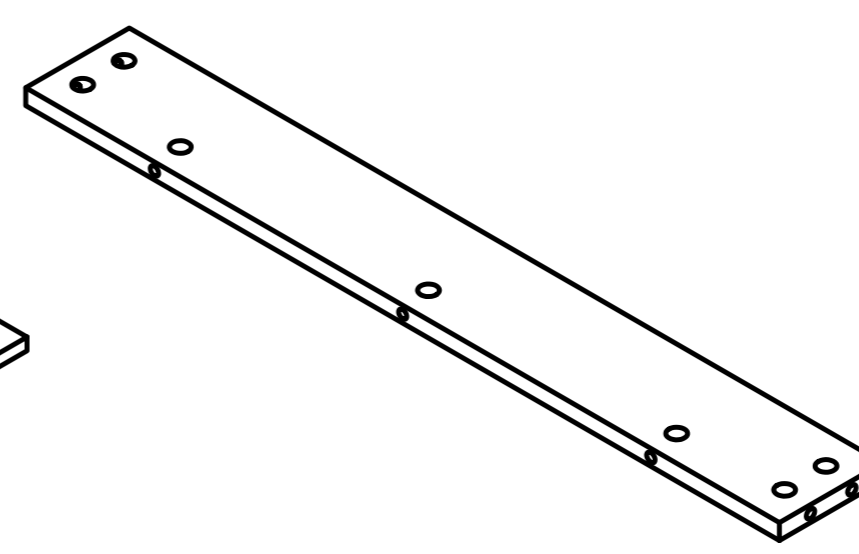
21x2



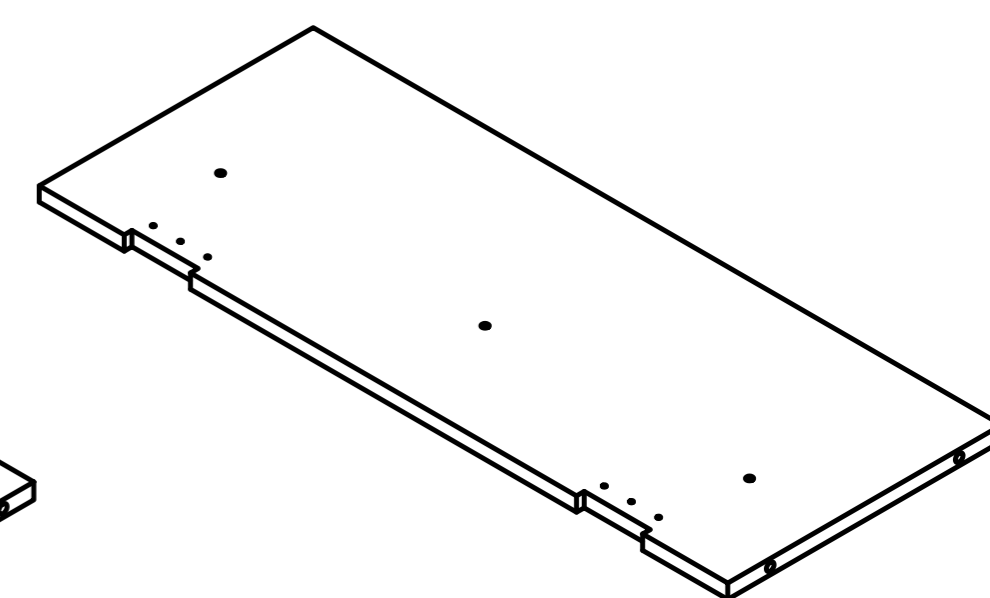
22x1



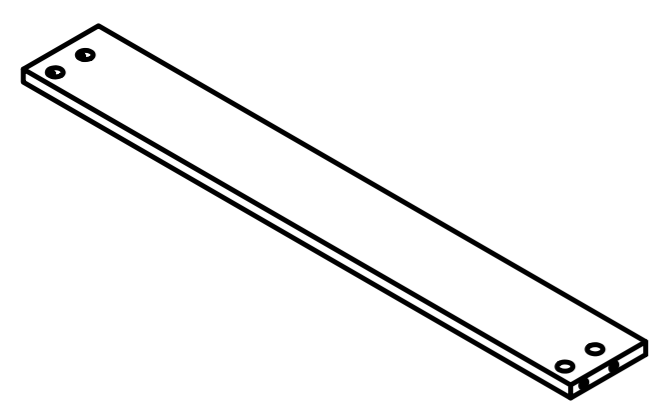
23x1



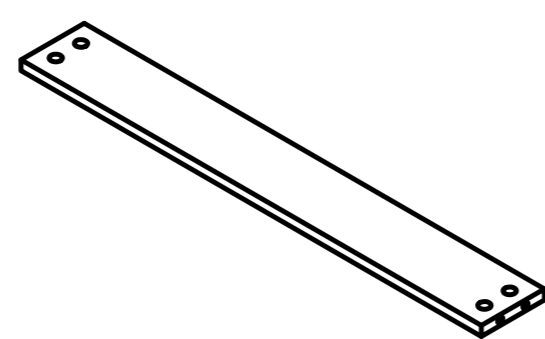
24x1



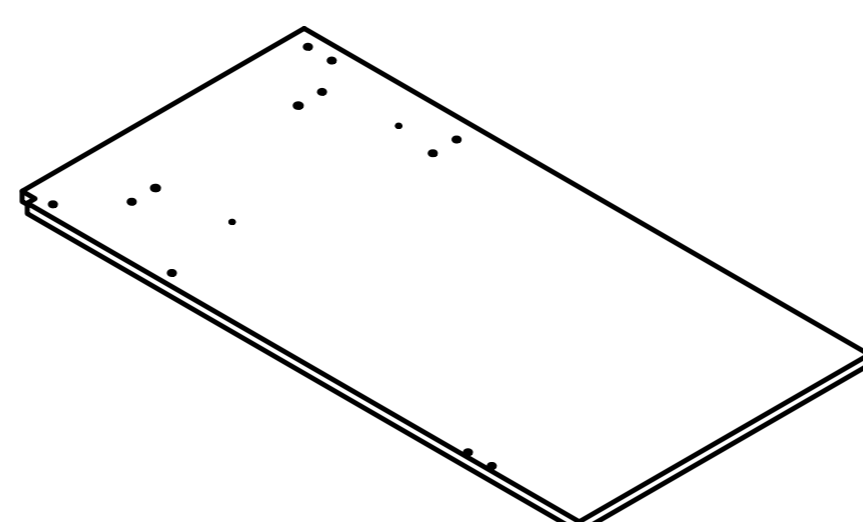
25x1



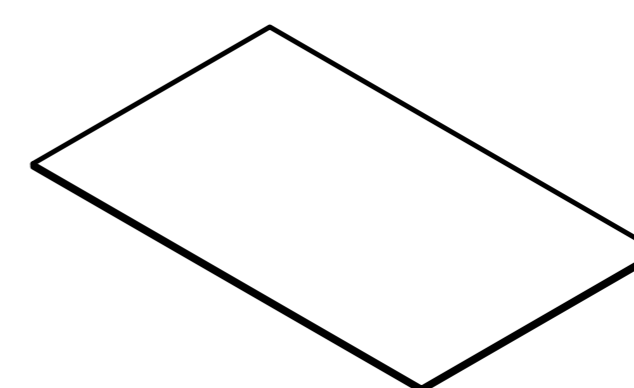
26x1



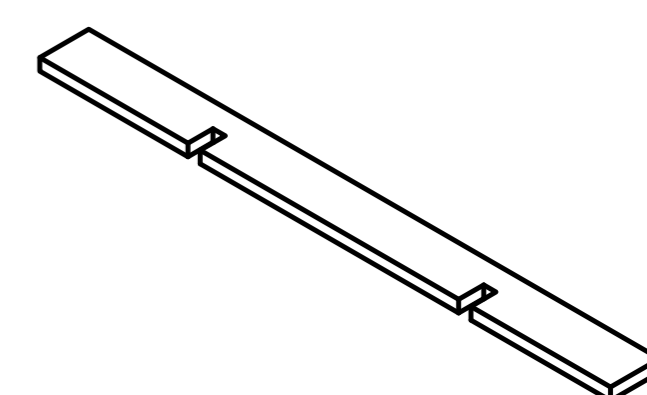
27x1



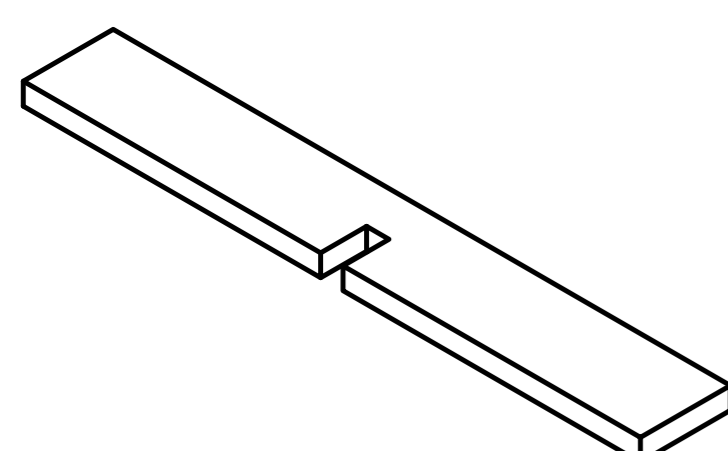
28x1



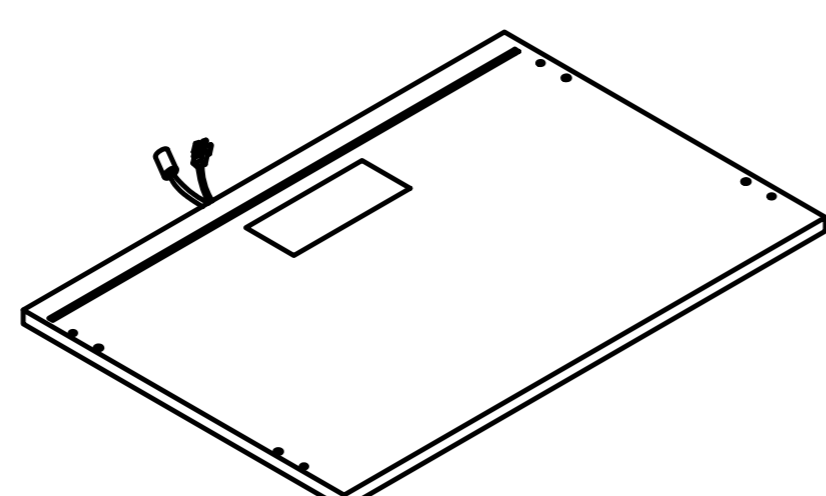
29x2



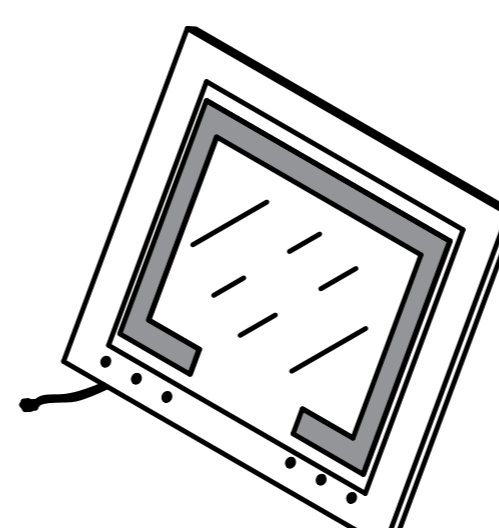
30x1



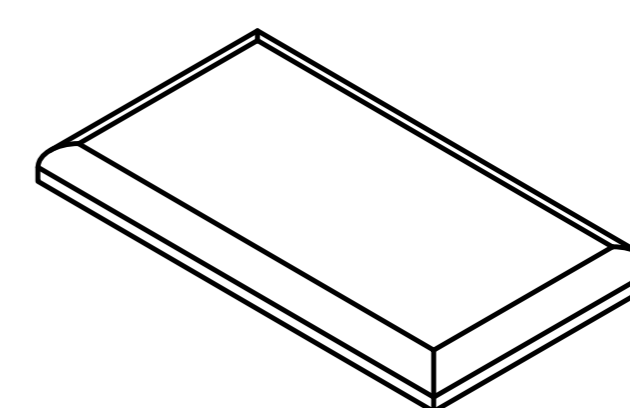
31x2



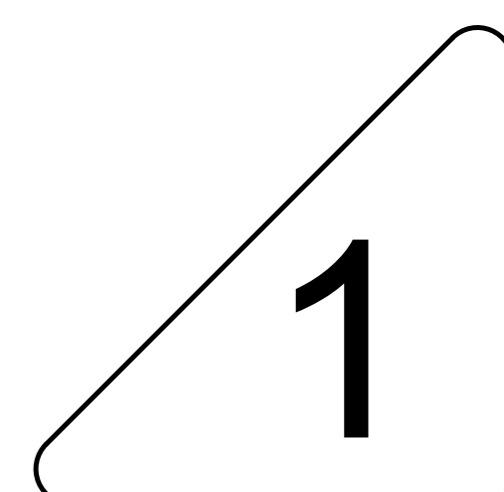
32x1



33x1

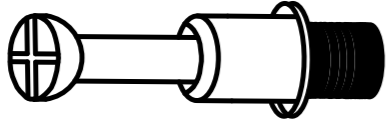


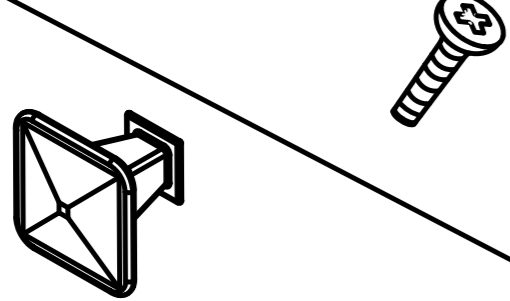
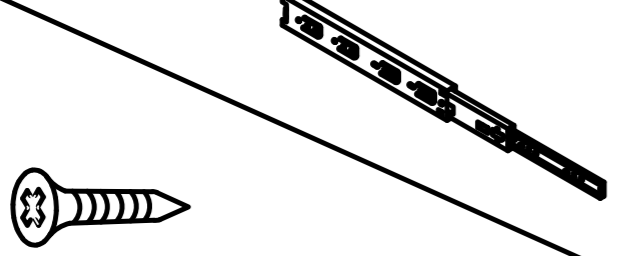
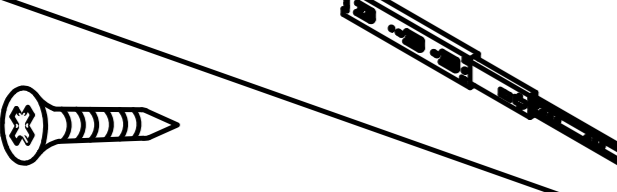
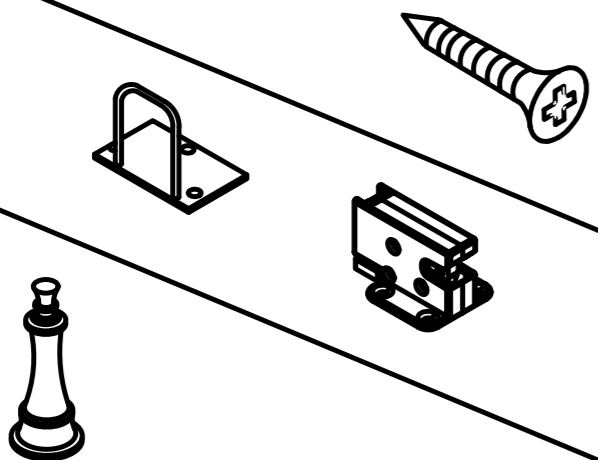


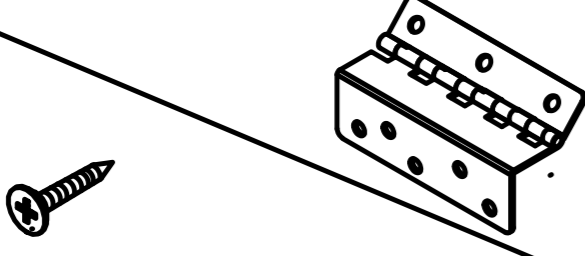

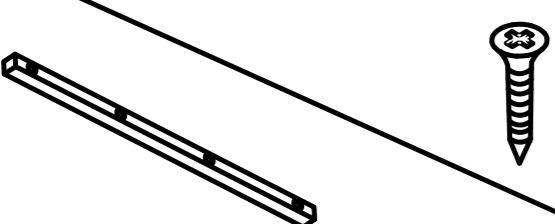
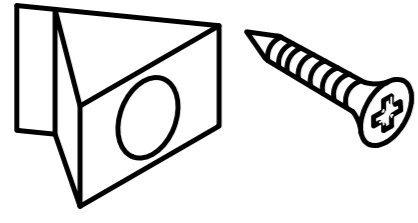
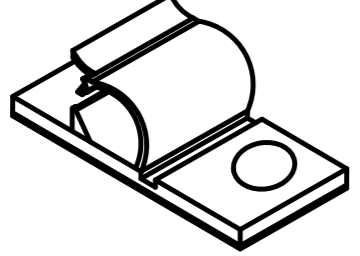
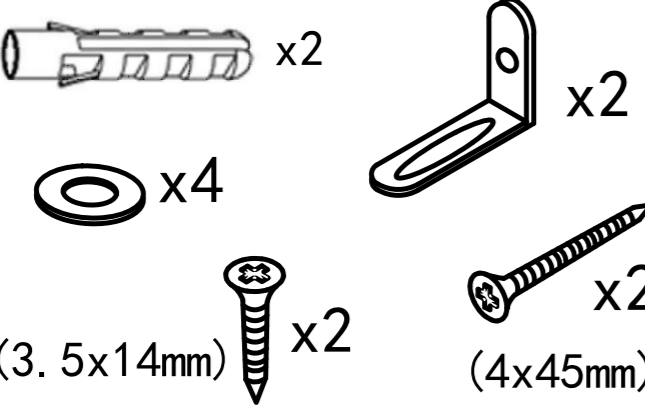
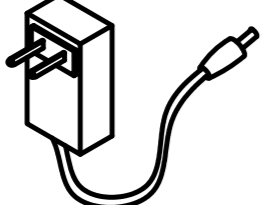
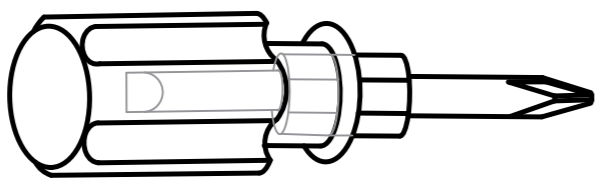
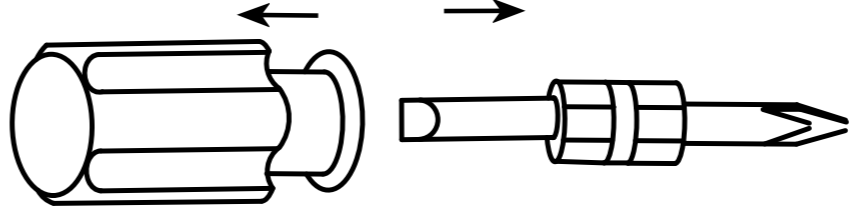


34x1

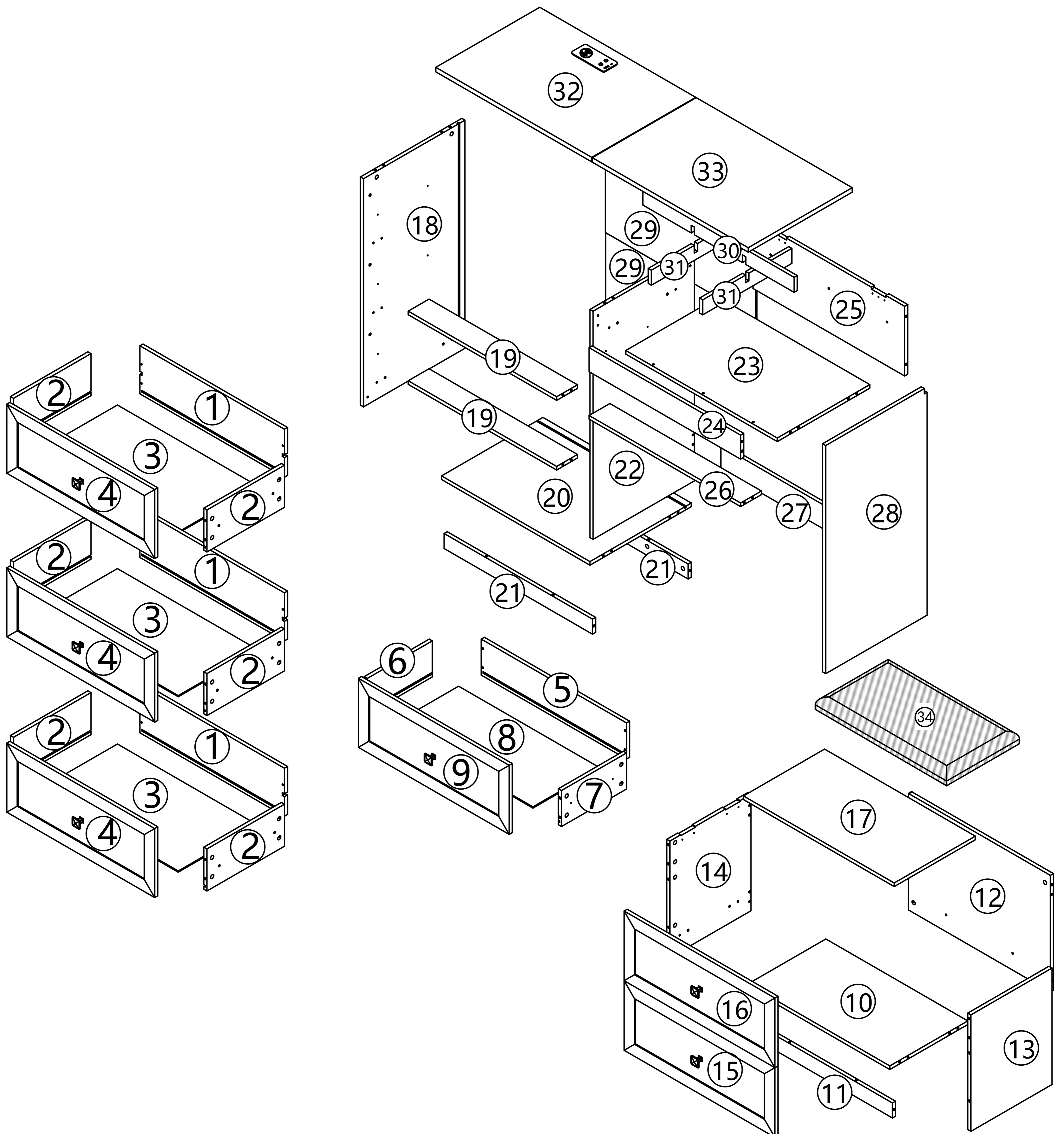


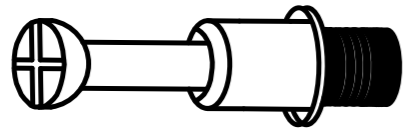
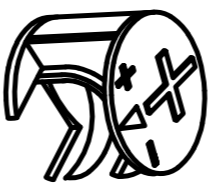

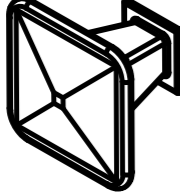



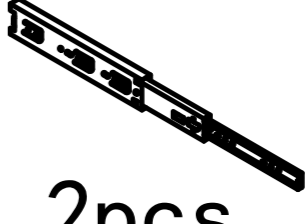

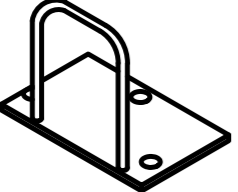



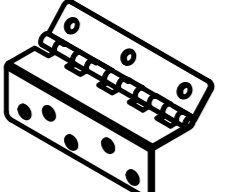


1

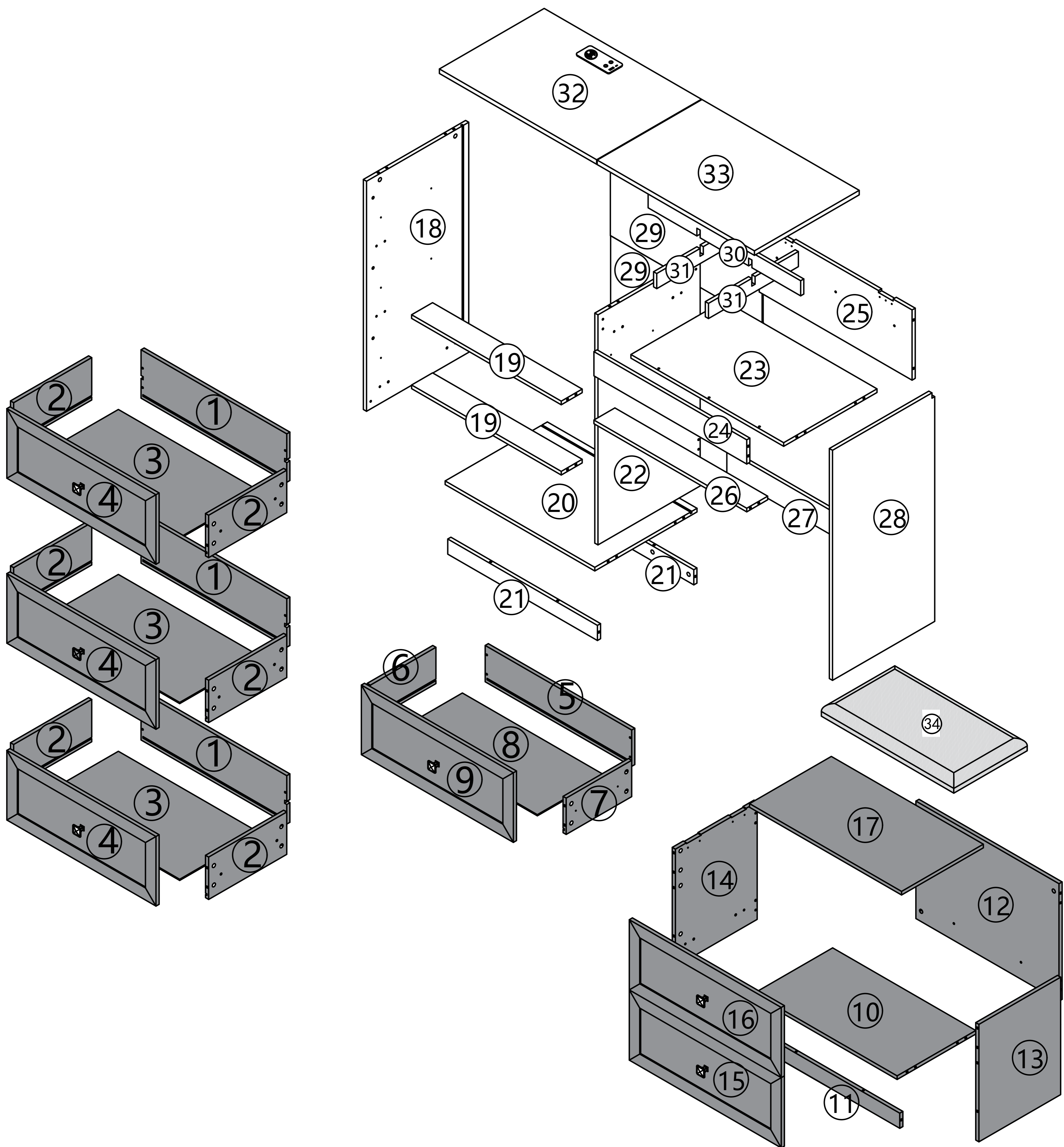
Accessories list

A		Two In One Screw (6x28mm)	104pcs +6pcs
B		Two In One Nut (10x12mm)	104pcs +6pcs
C		Wood Chipping (6x30mm)	20pcs +4pcs
D		Handle & Screw (4x8mm)	6pcs
E		Screw & Guide (3x12mm)	6pcs 30pcs +3pcs
F		Screw & Guide (3x12mm)	2pcs 10pcs +1pcs
G		Concealed lock & Screw (3x12mm)	7pcs +1pcs 1pcs 1pcs +1pcs
H		Non-slip pads	10pcs
I		Buffer plastic particles (10x2mm)	4pcs +2pcs
J		Hinge & Screw (3.5x12mm)	4pcs 32pcs +2pcs
K		Velcro	2pcs
L		Rubber Strip Guide & Screw (4x16mm)	4pcs +1pcs 1pcs
M		Fixing Clip & Screw (3x16mm)	8pcs +1pcs
N		Clamp	1pcs
O		Anti Fall Hardware	
		AC/DC Adapter (12V=3.0A)	1pcs
 1pcs  Double-head screwdriver, use as required			2

Product structure decomposition

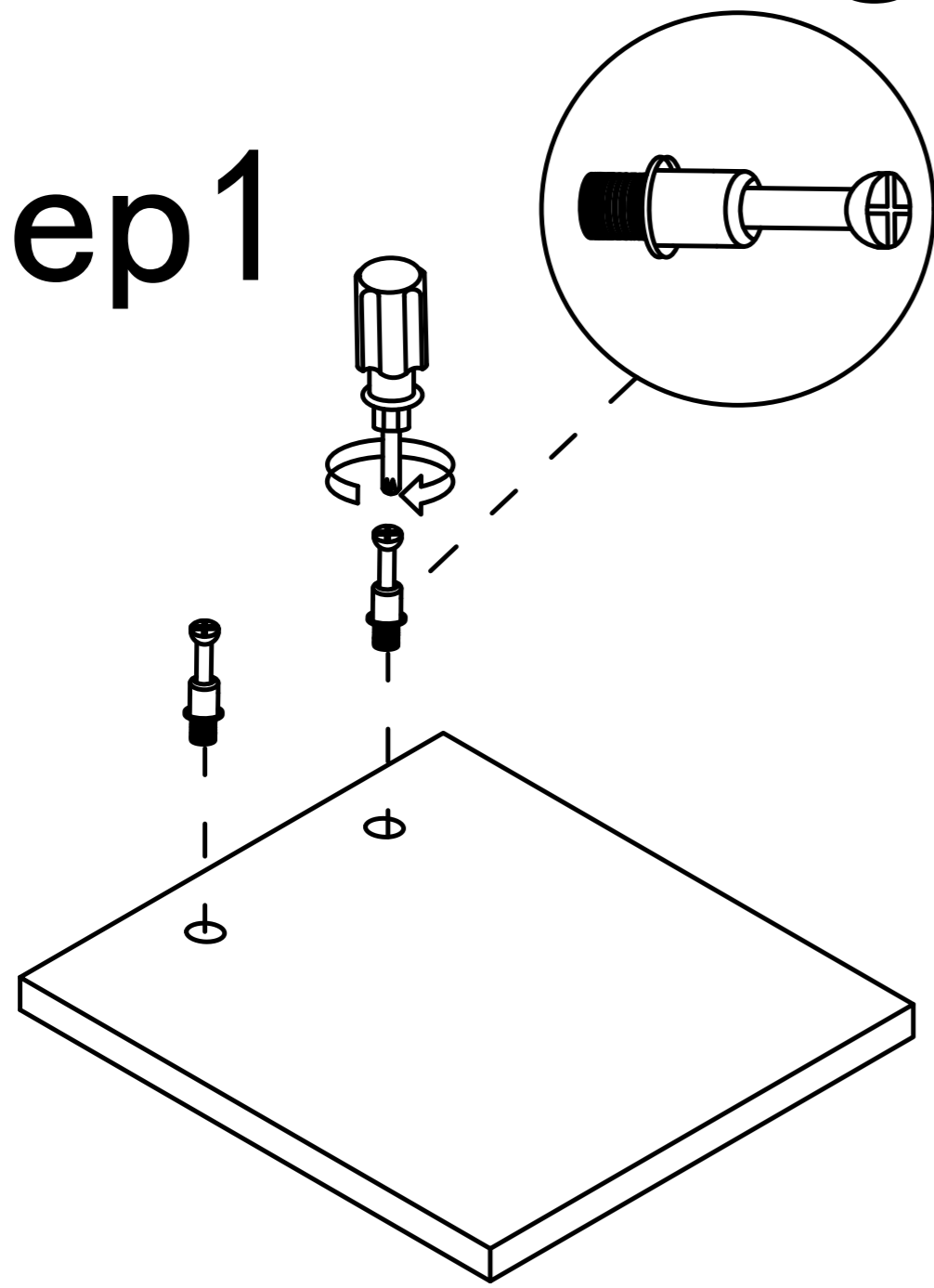


A		54pcs	B		54pcs	C		8pcs
D	 6pcs	 6pcs	E	 6pcs	 12pcs	F	 2pcs	 4pcs
G	 1pcs	 2pcs	H	 4pcs		I	 2pcs	
J	 2pcs	 16pcs	K	 2pcs				

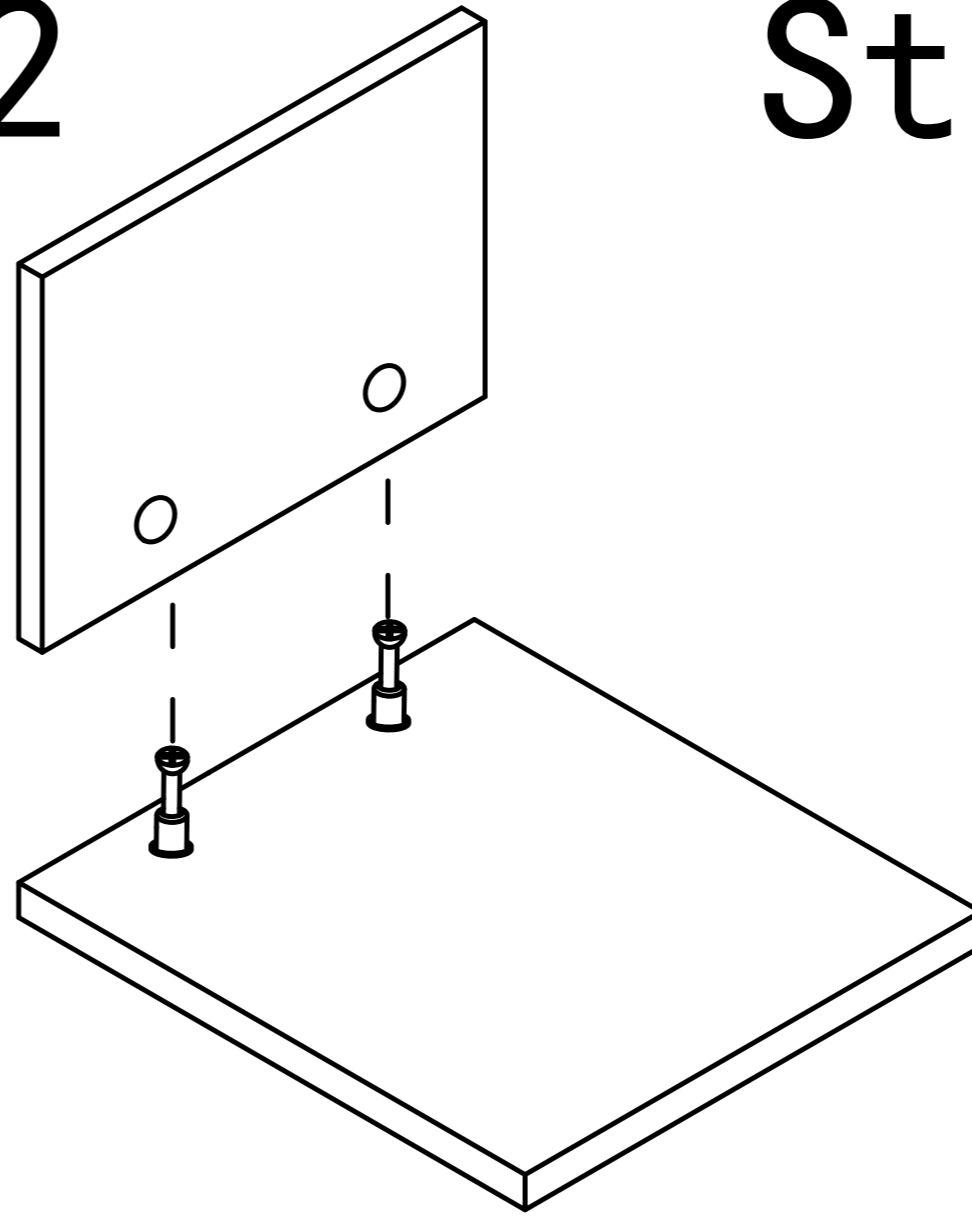


Use parts A and B

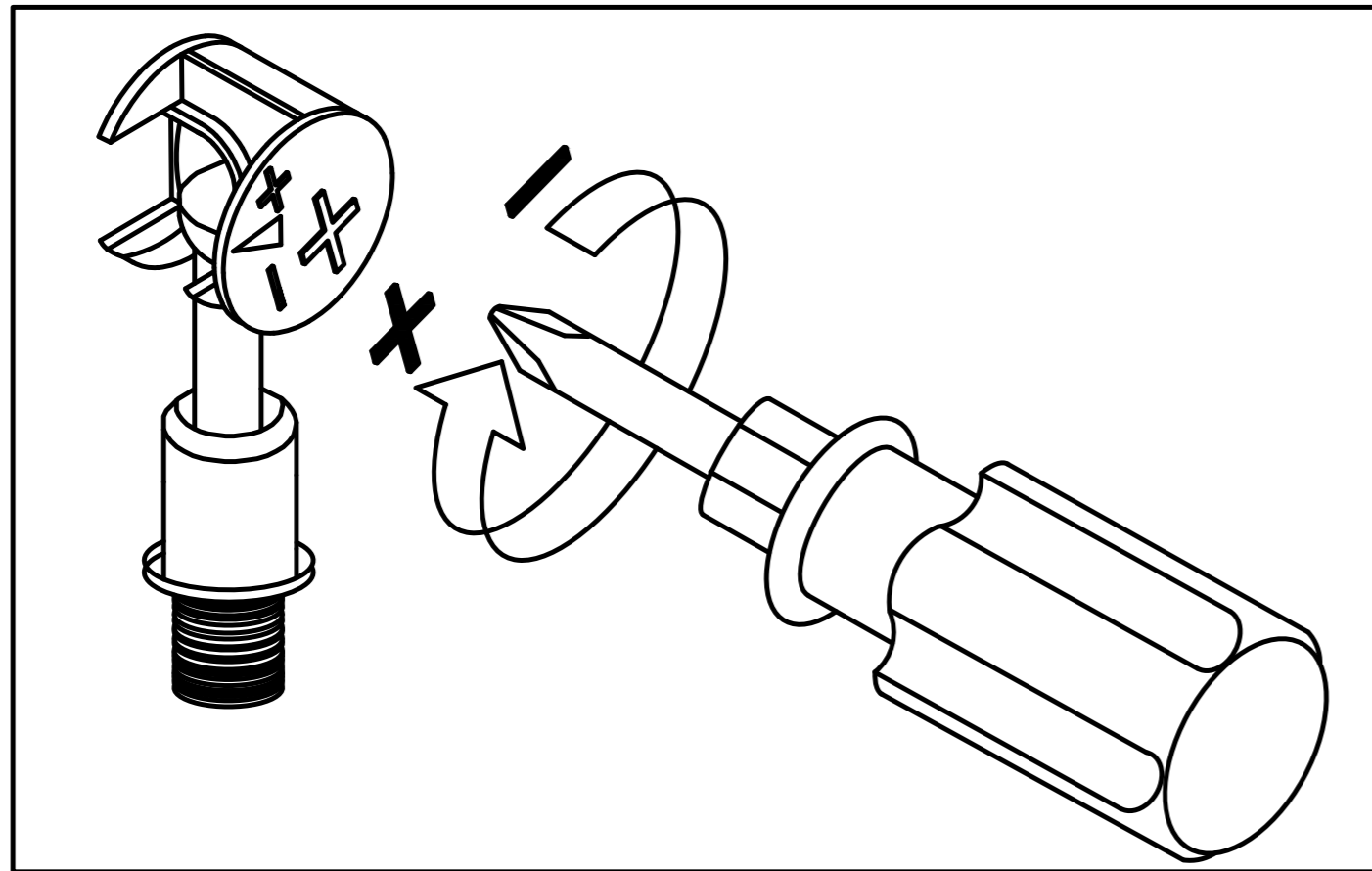
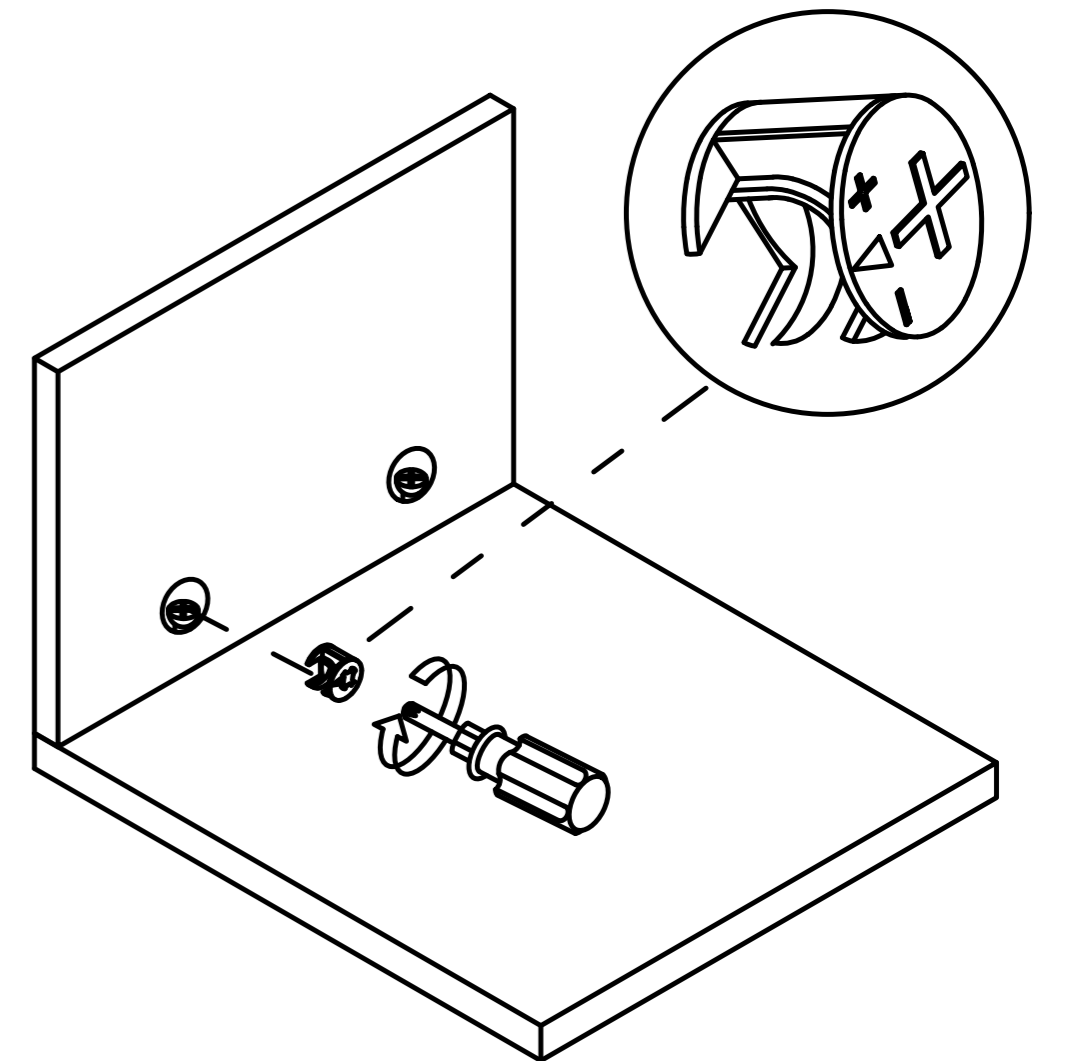
Step 1



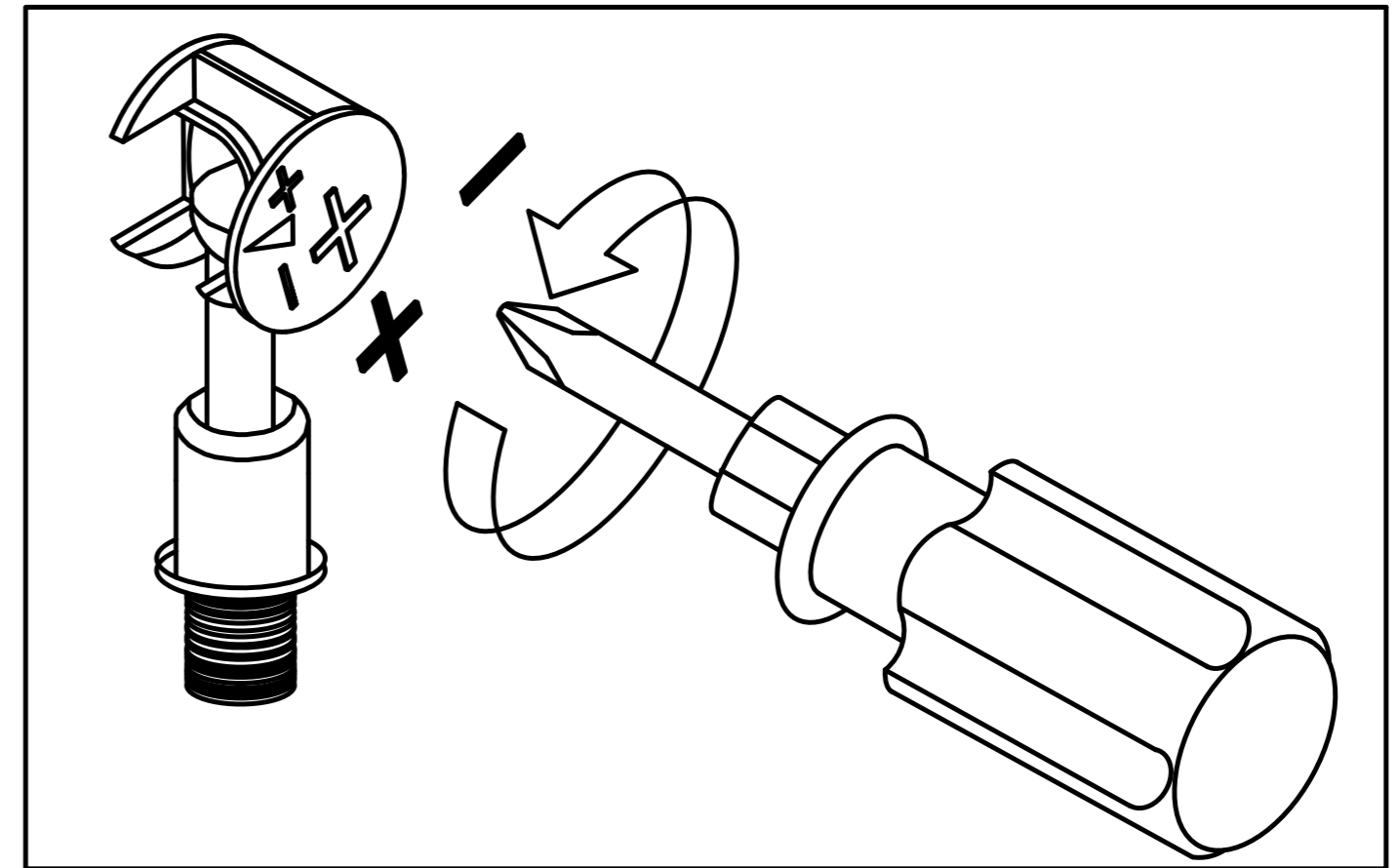
Step 2



Step 3

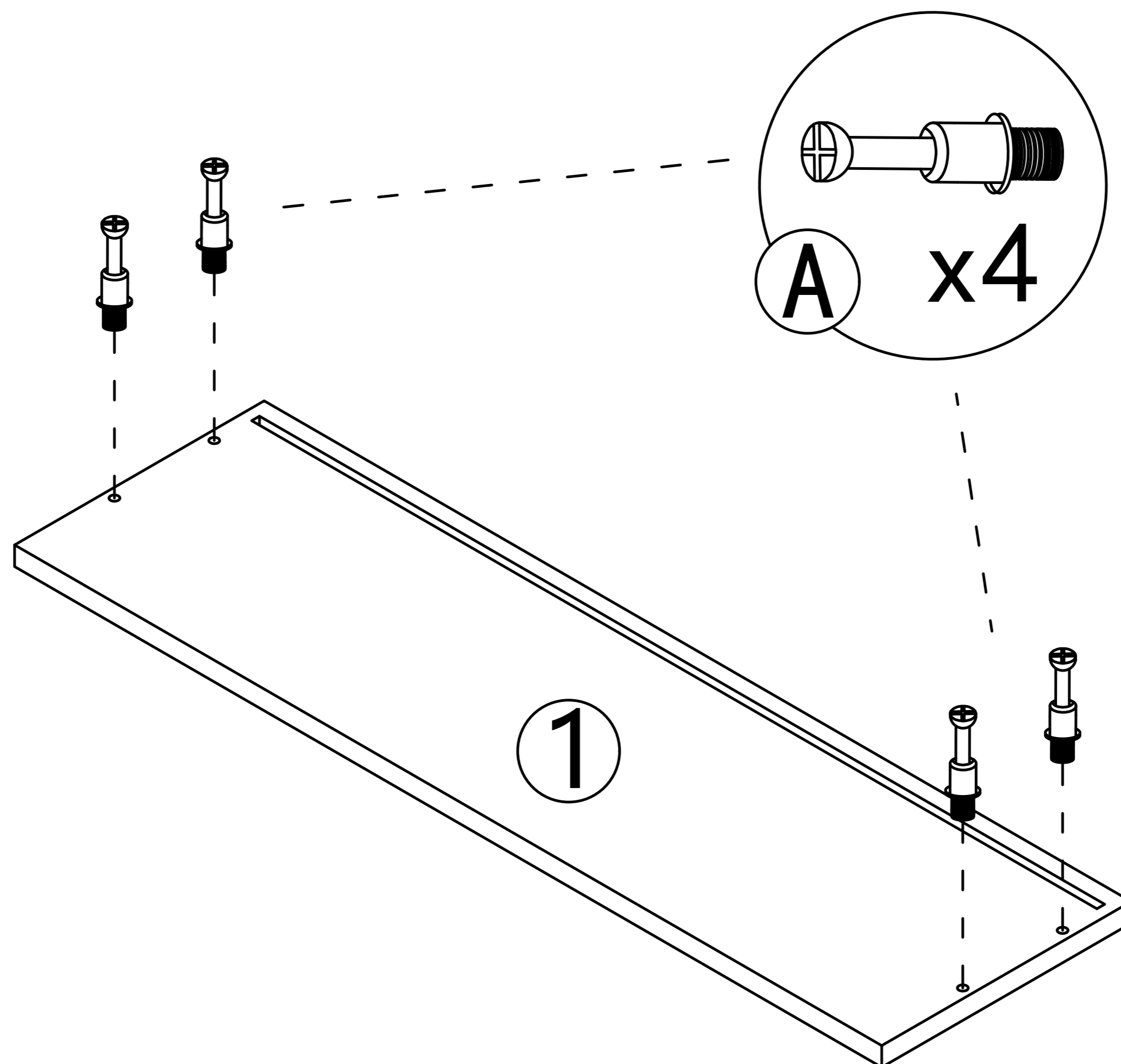
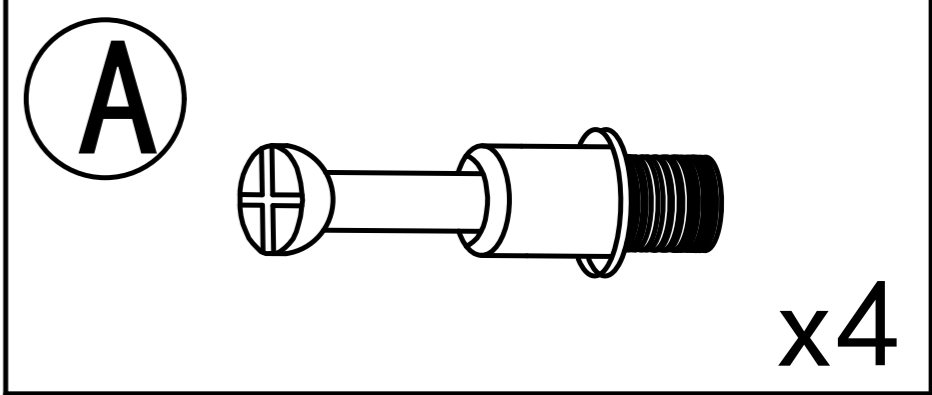


Use a screwdriver to lock in the direction of the "+" sign

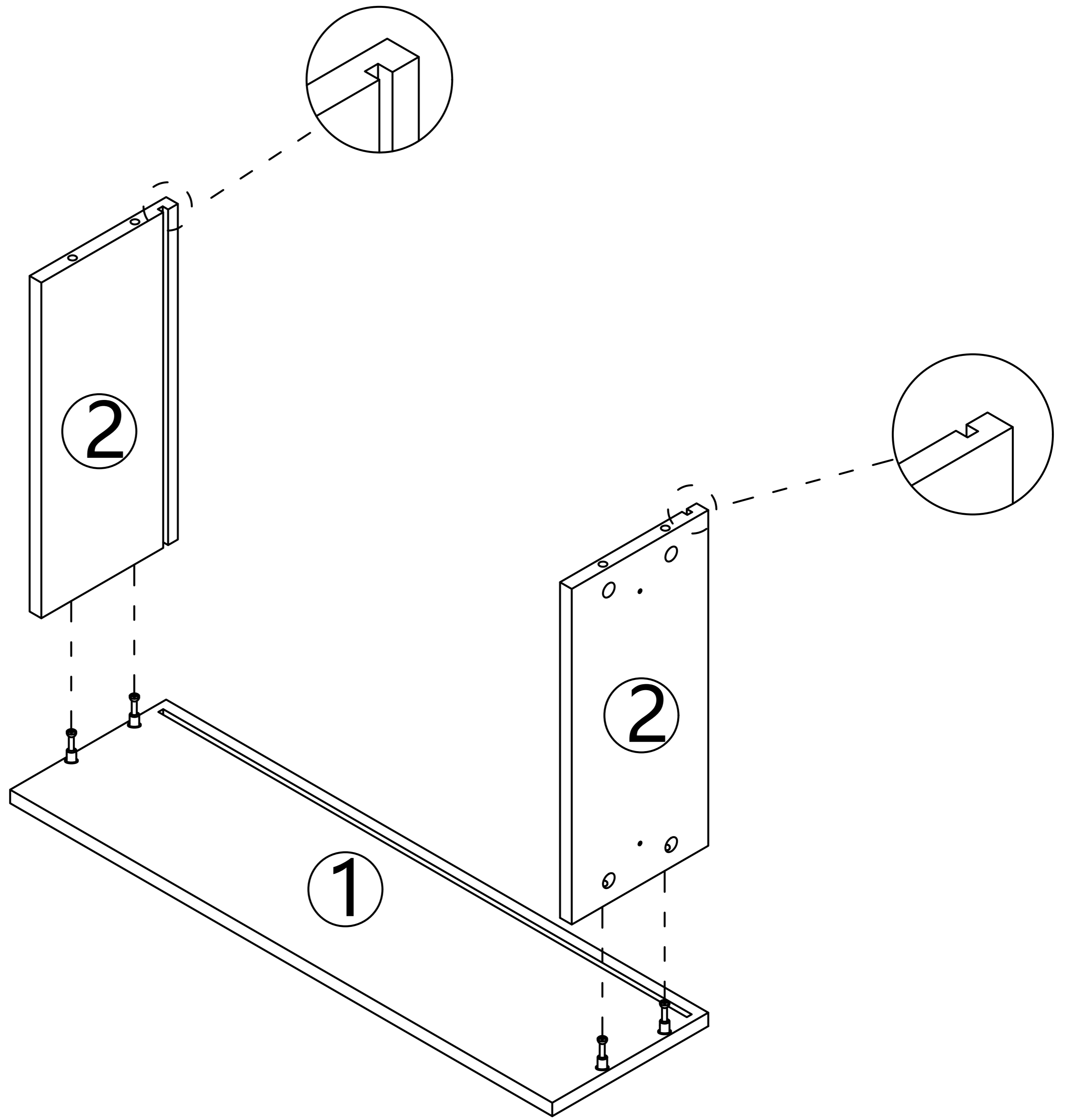


Disassemble along the direction of "-" sign

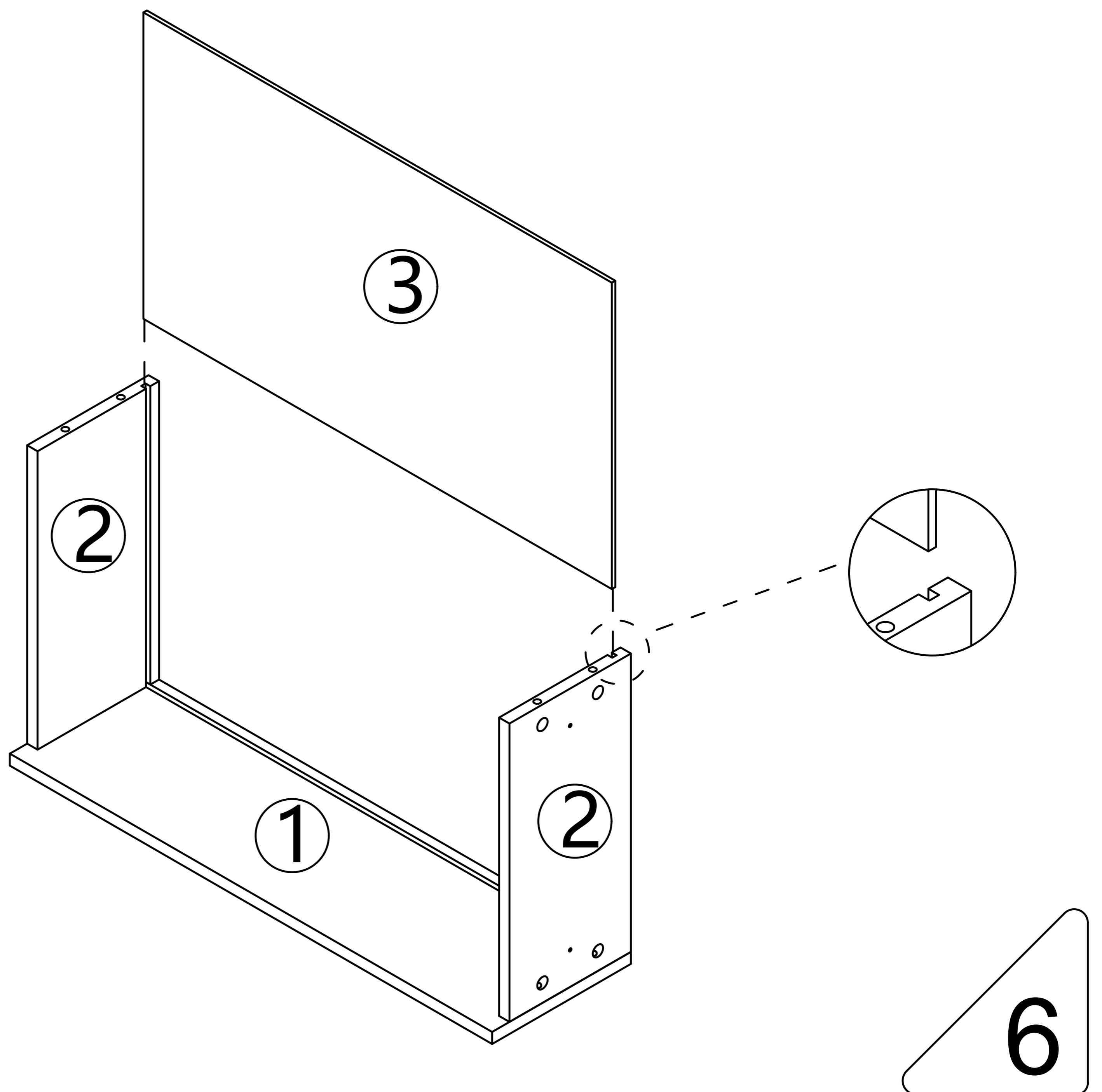
Step 1



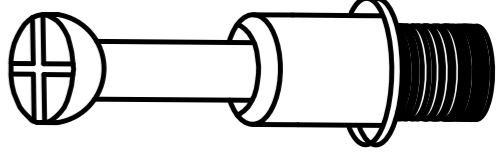
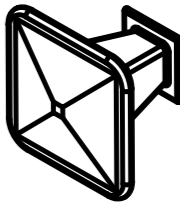

Step 2

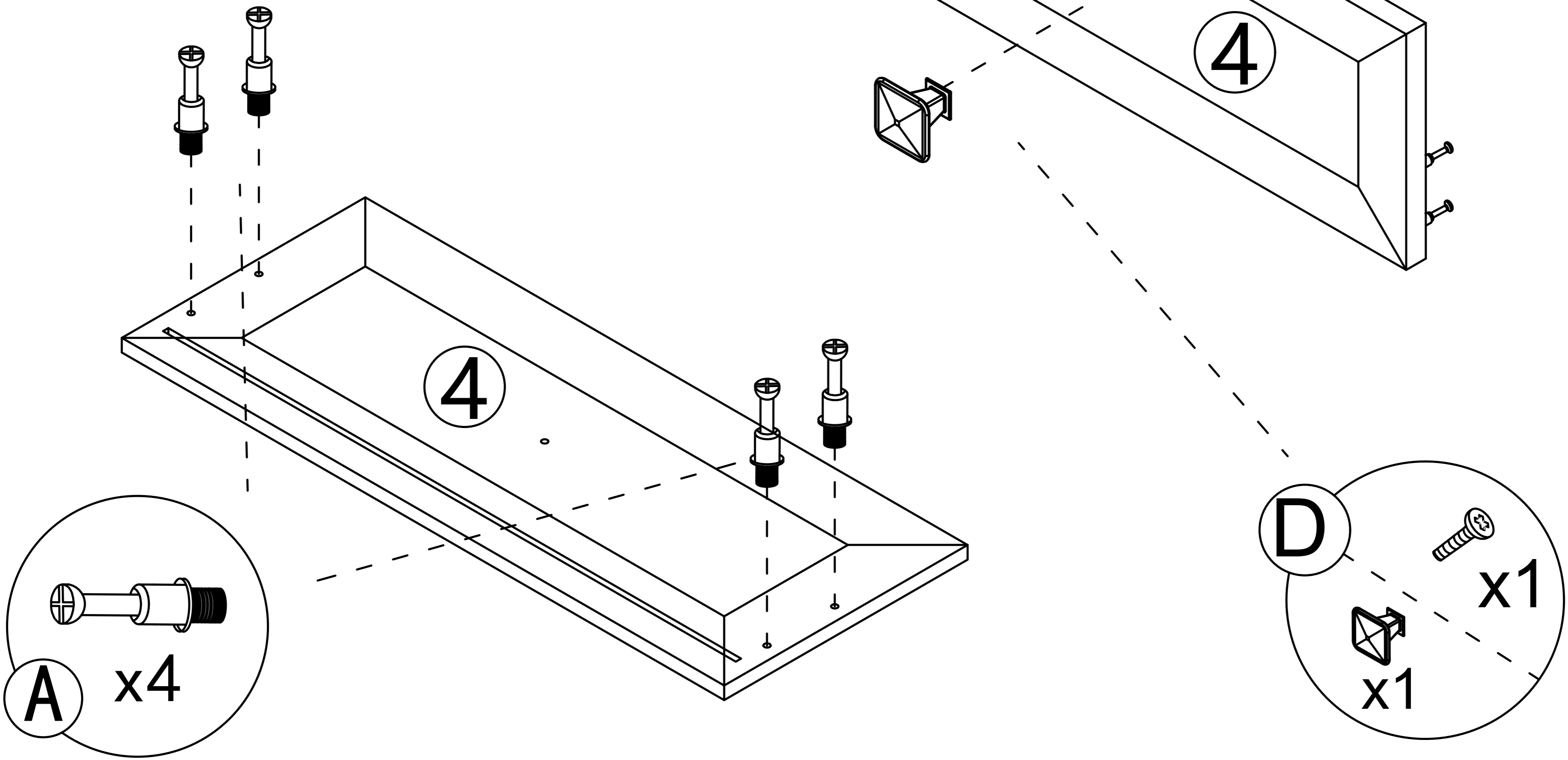


Step 3

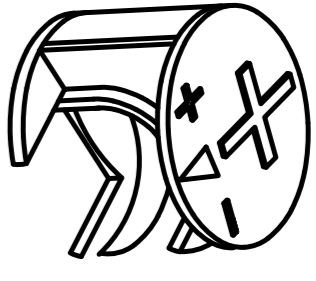


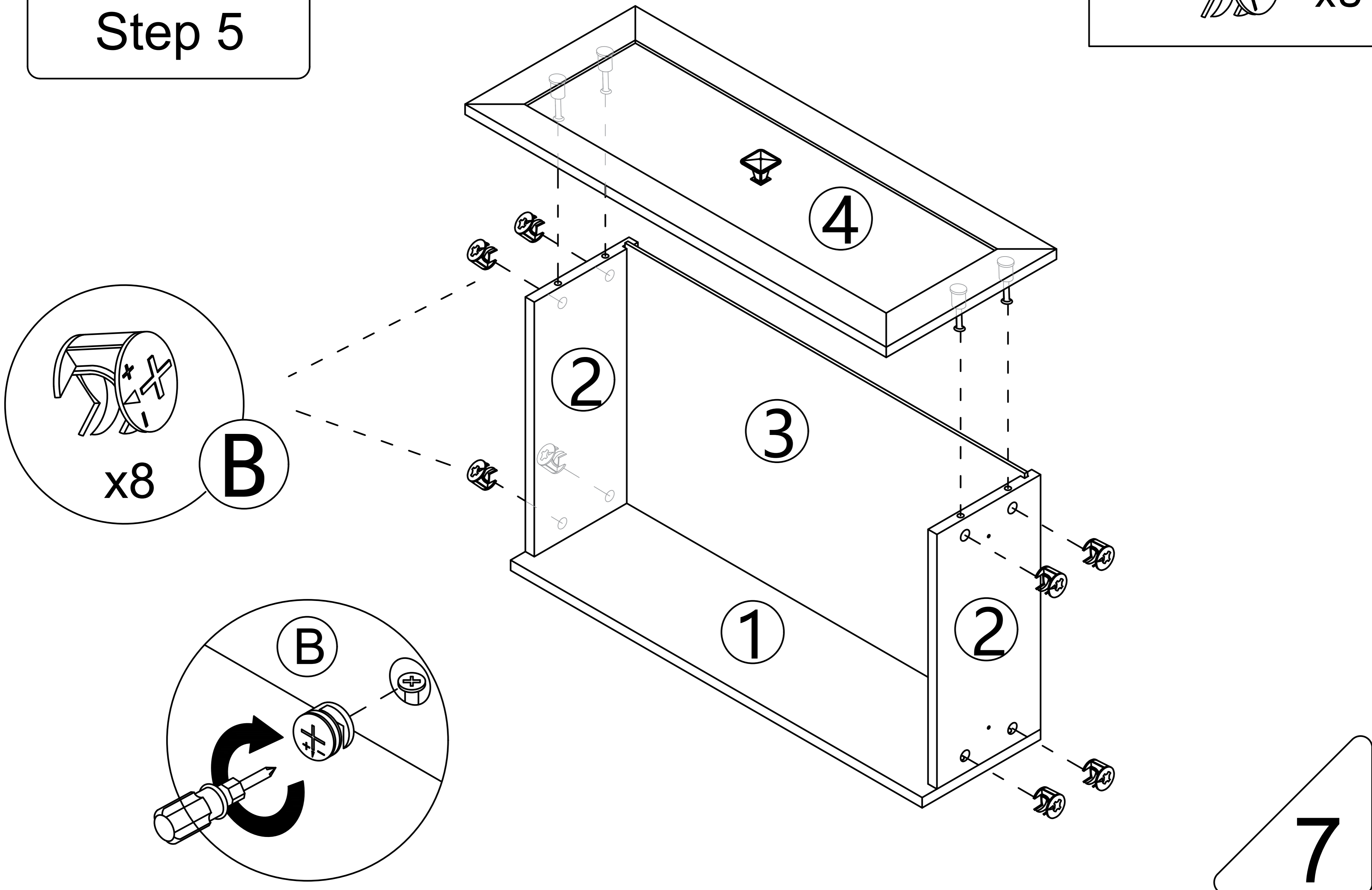
Step 4

- A**  x4
- D**  x1  x1

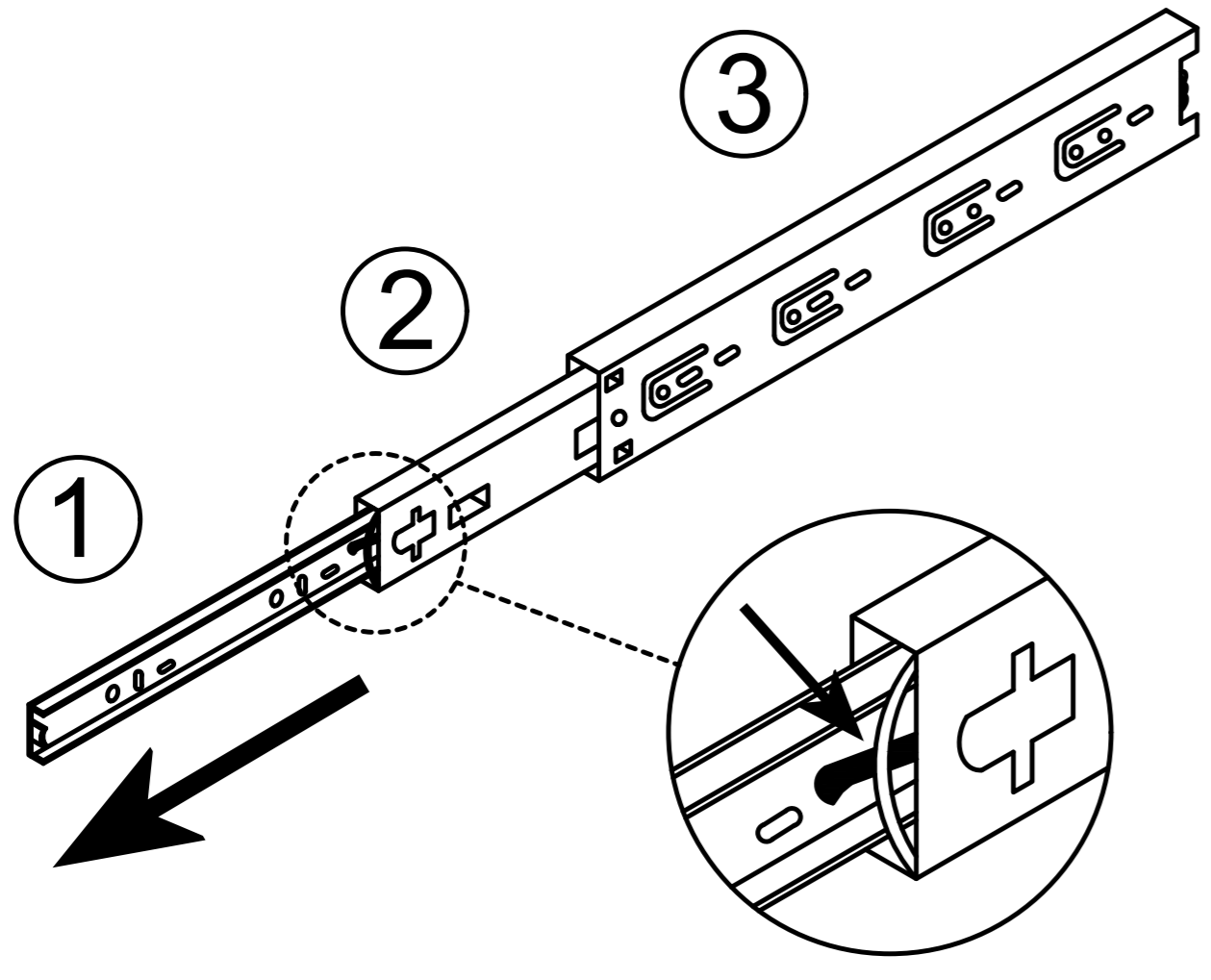


Step 5

- B**  x8

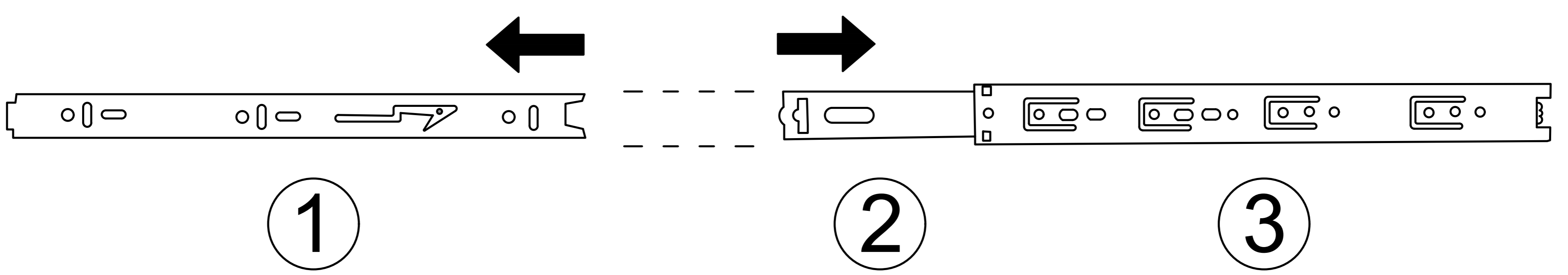
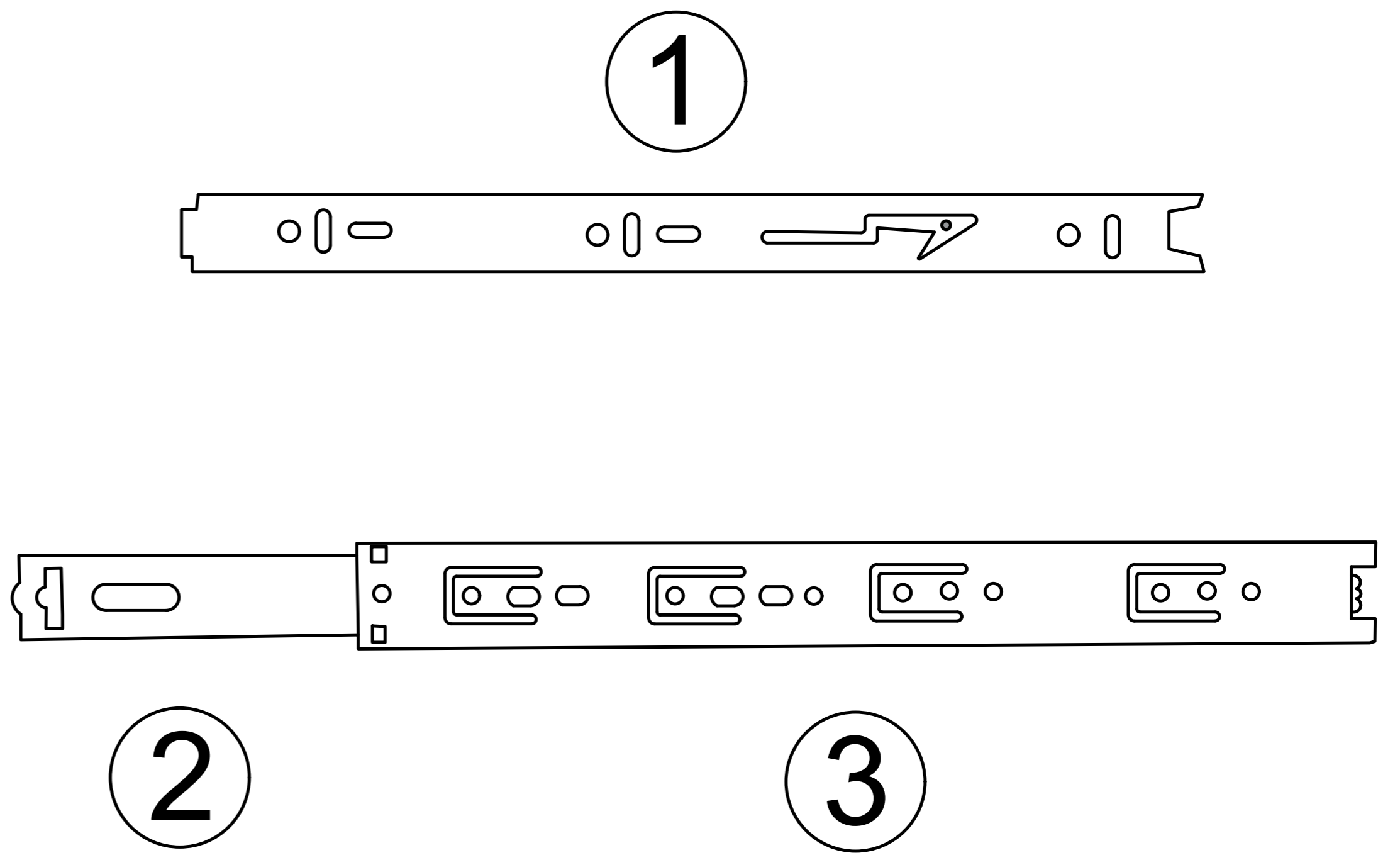


Drawer rail breakdown diagram

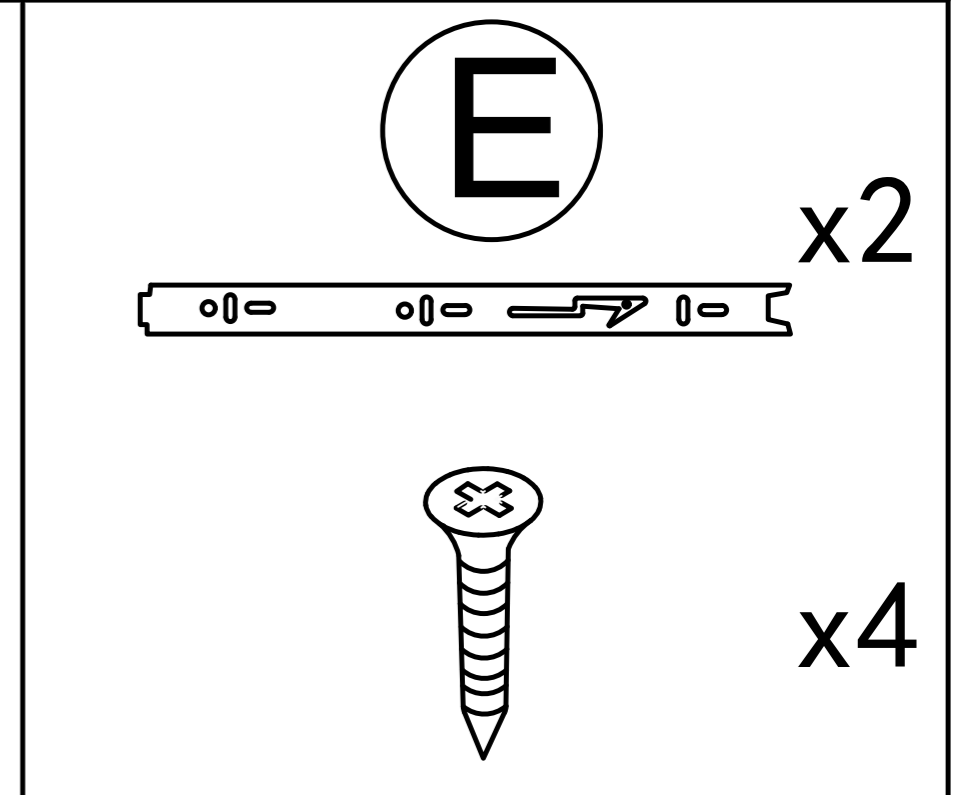
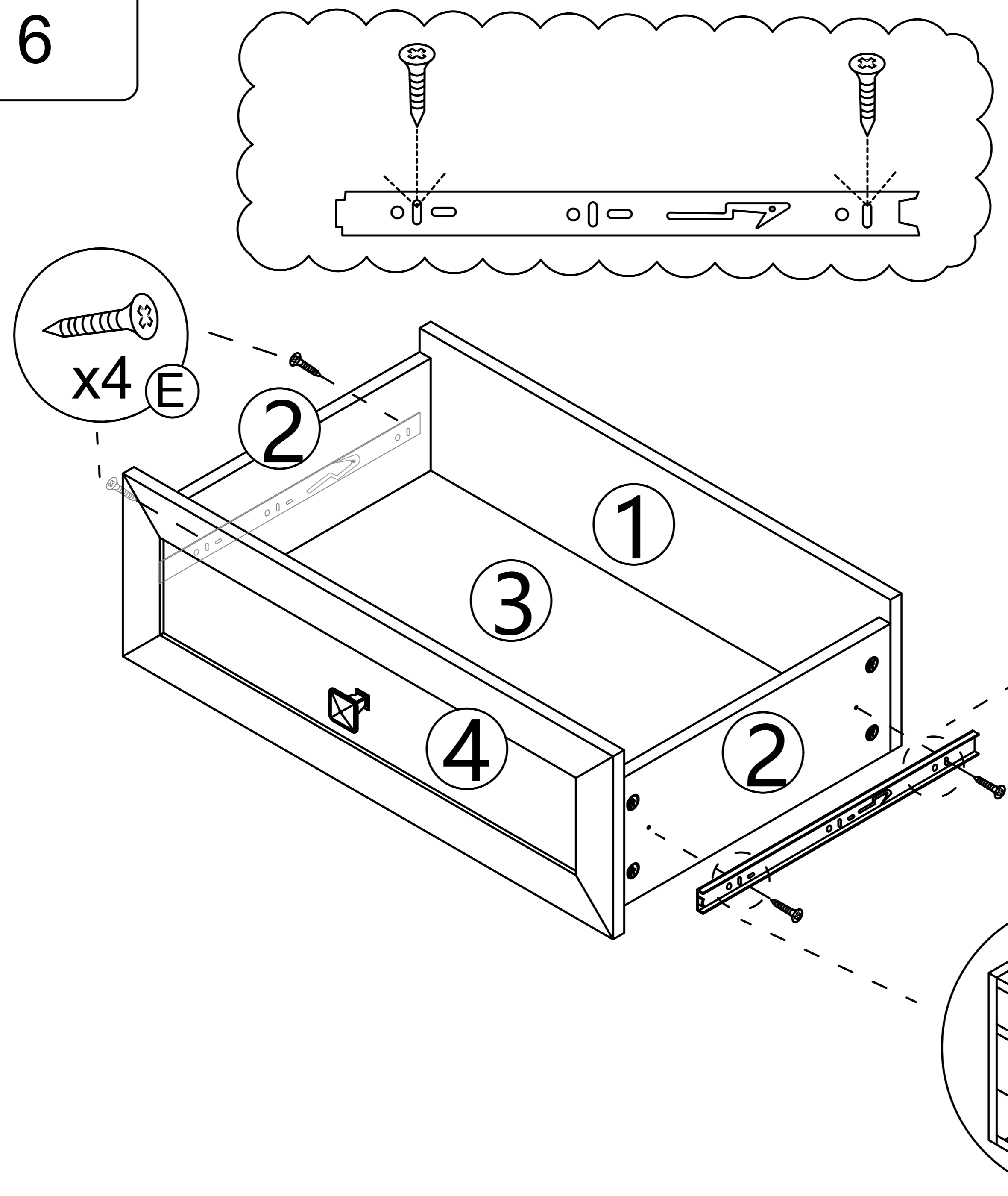


Step 1 : Pull the rails apart

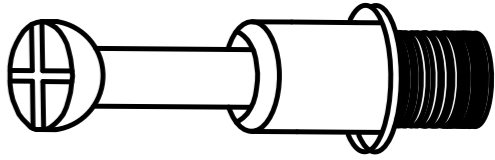
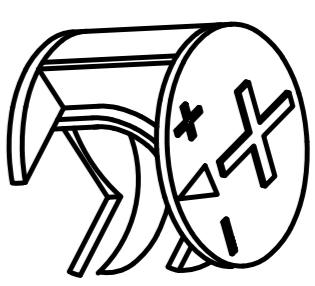
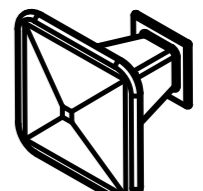

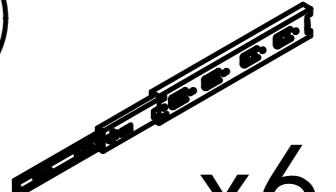

Step 2 : Push the nylon buckle outward ①

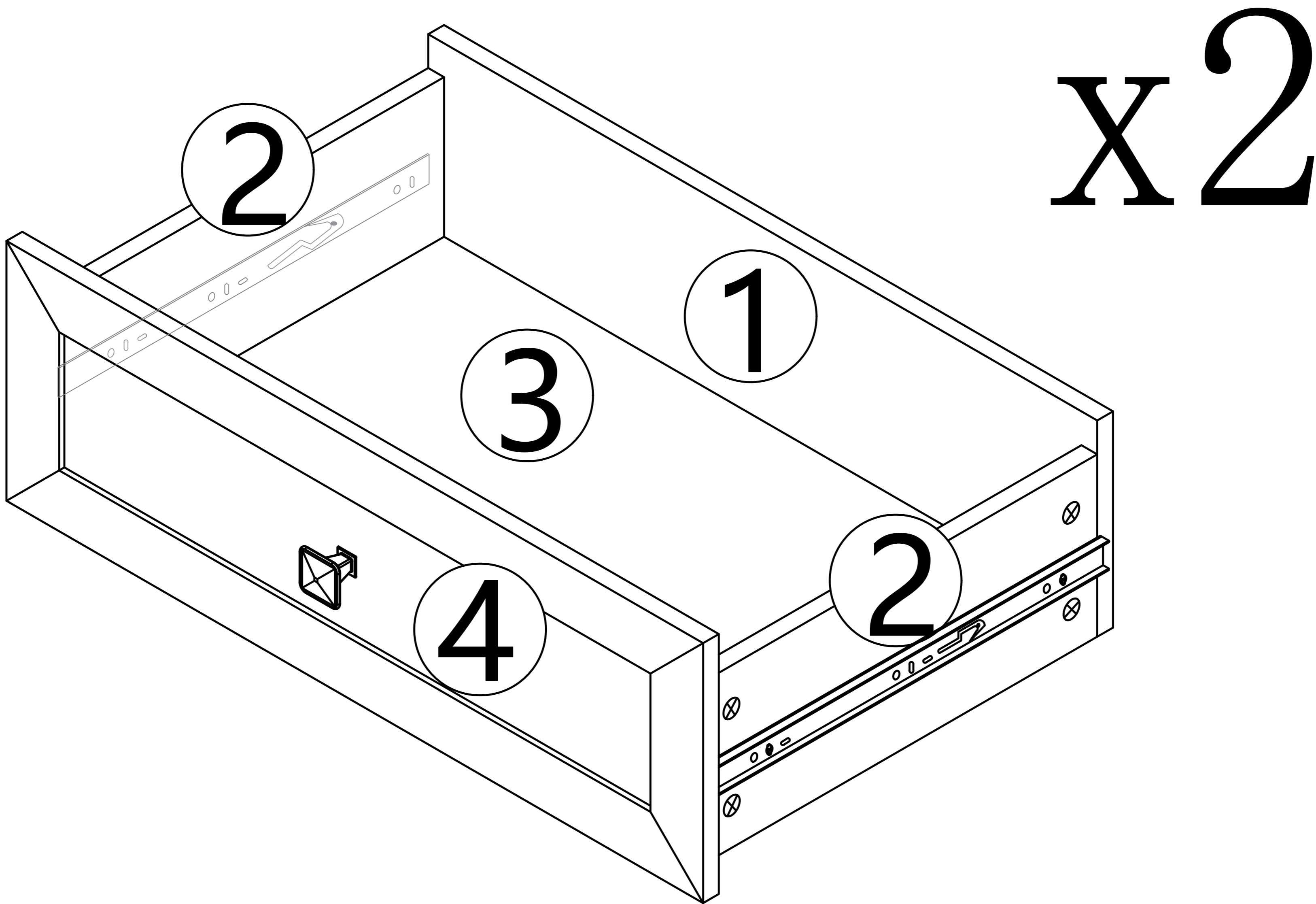


Step 6



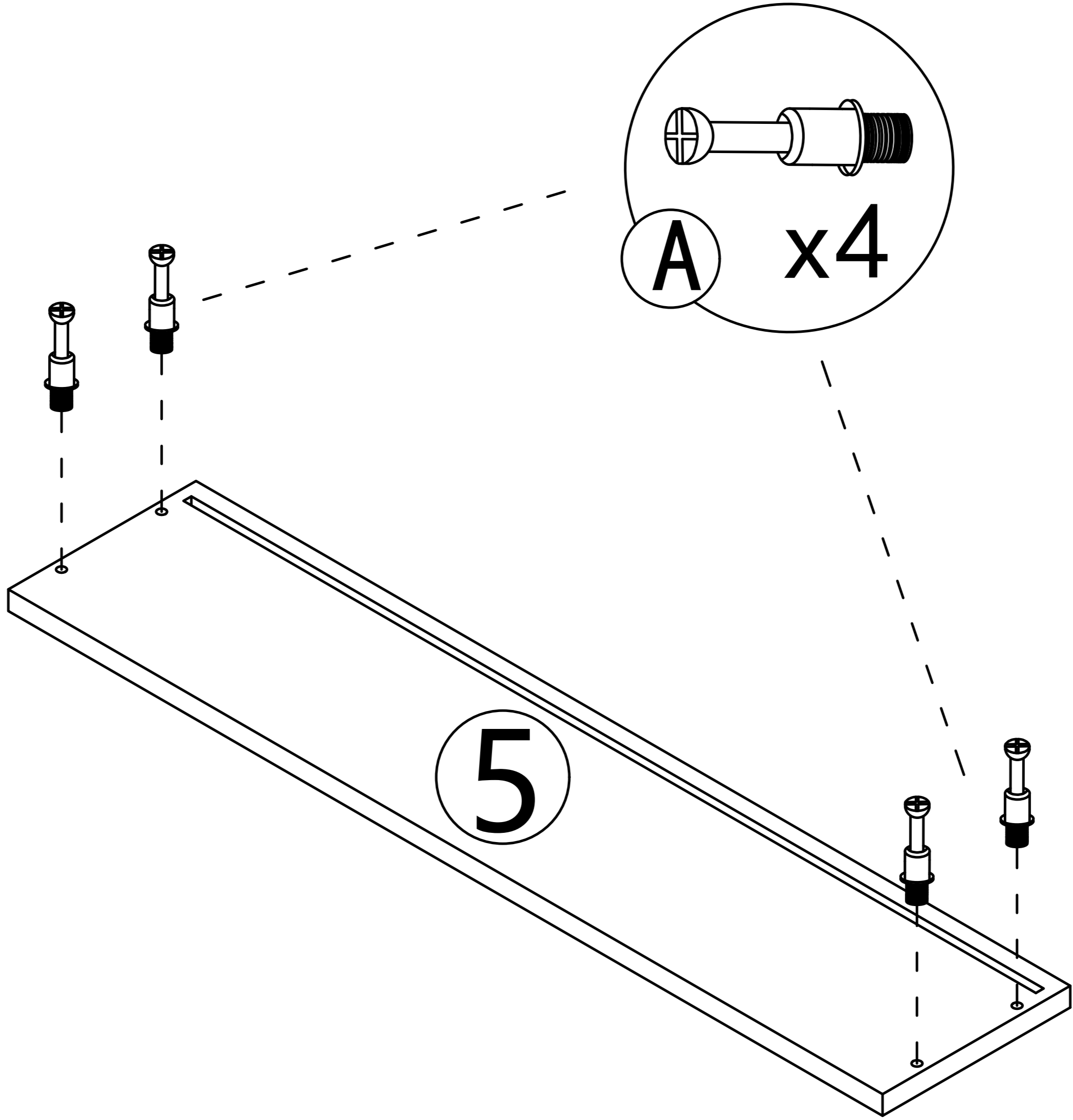
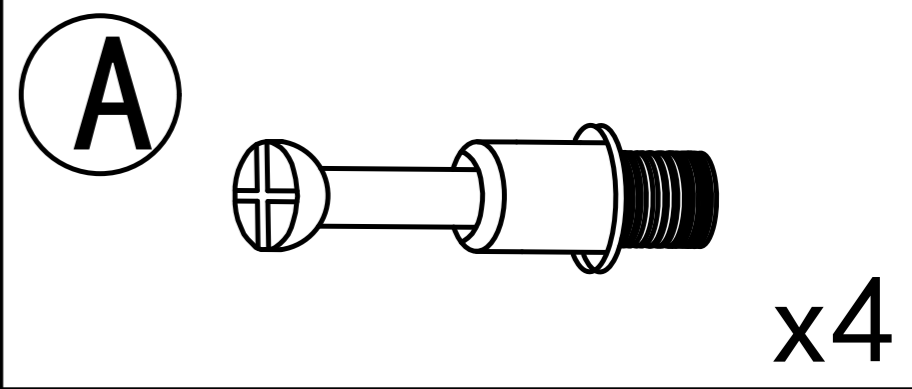
Step 7

- A**  x16
- B**  x16
- D**  x2  x2
- E**  x6  x12

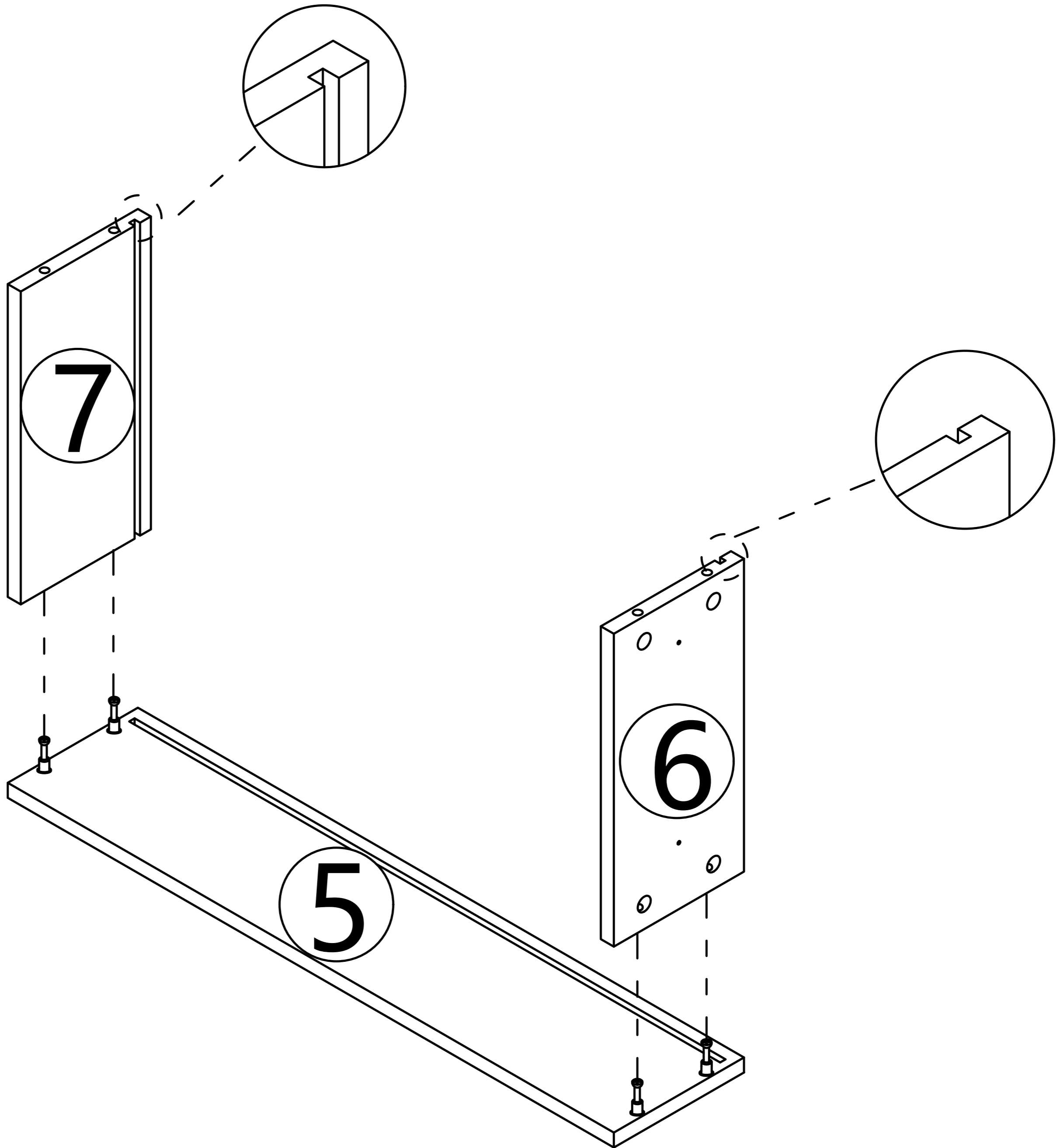


Repeat the drawer installation steps

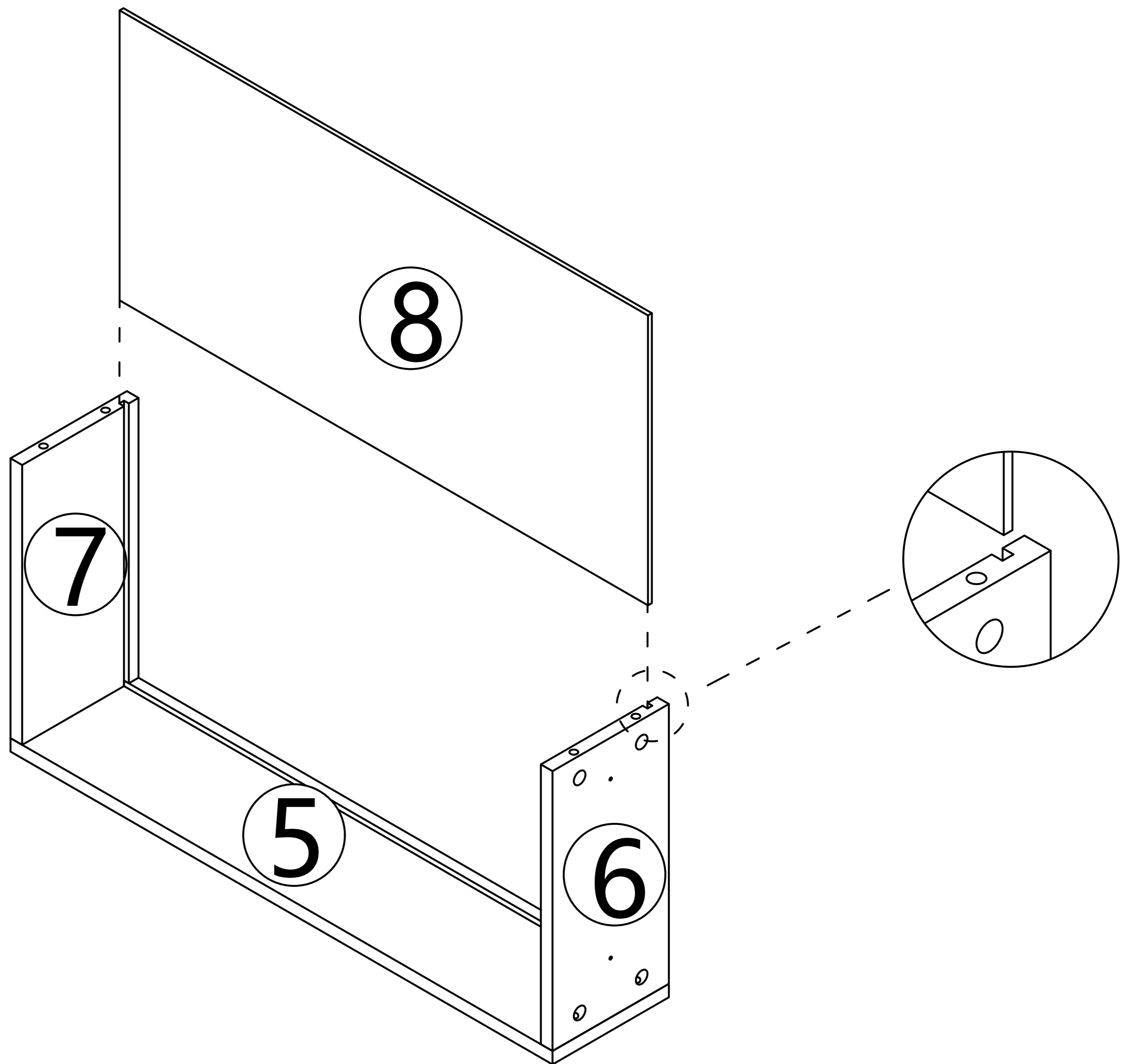
Step 8



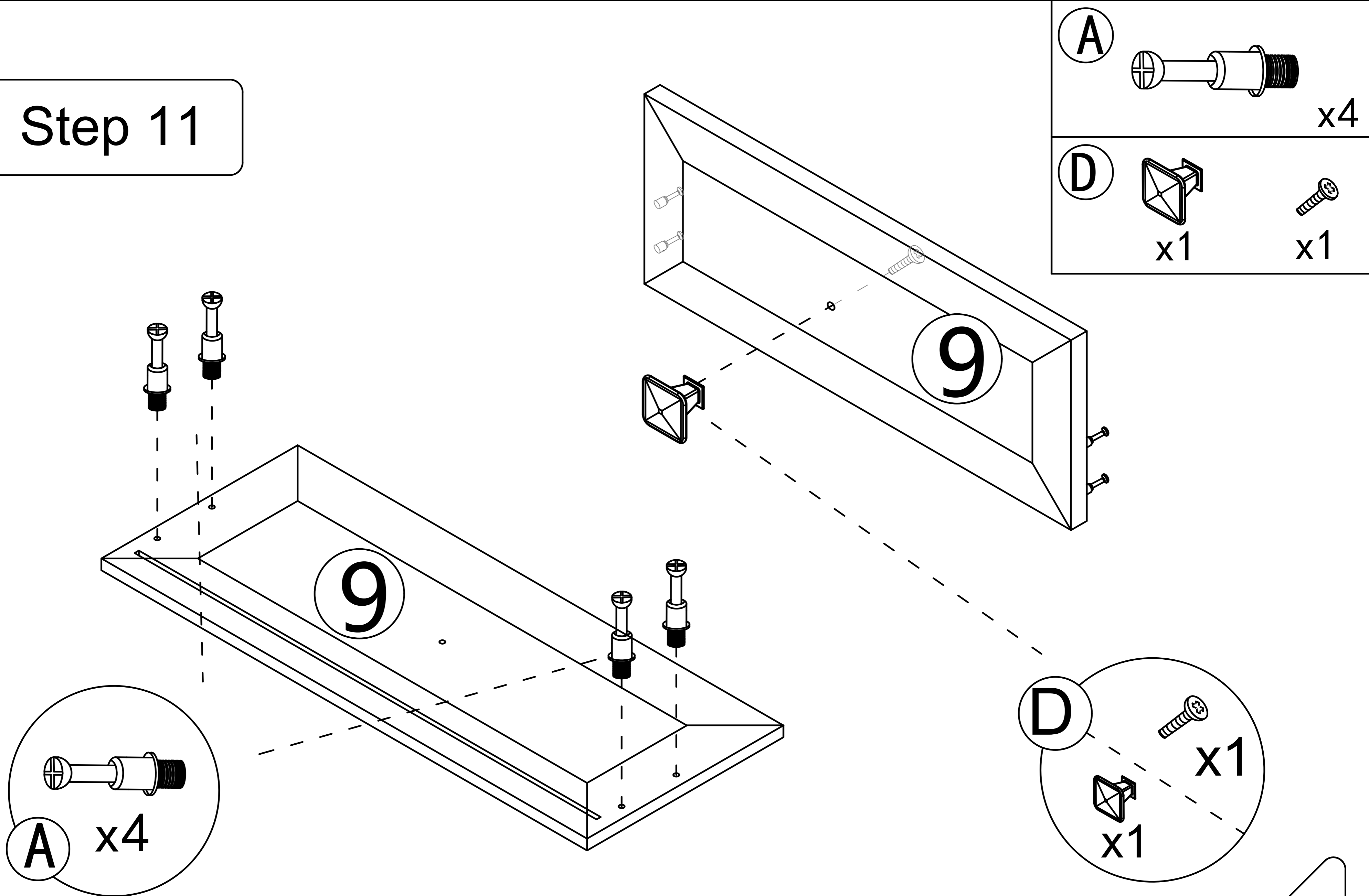
Step 9



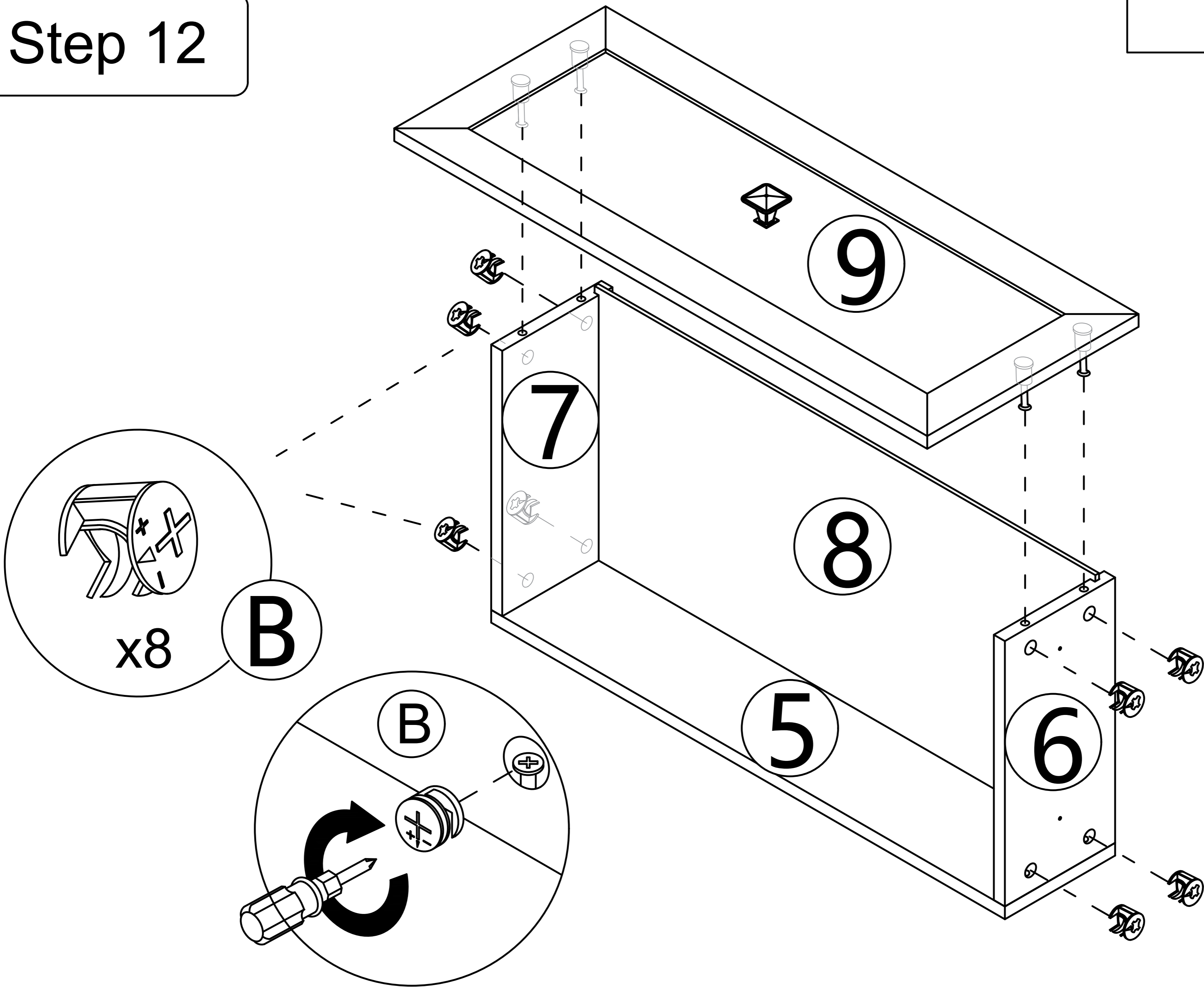
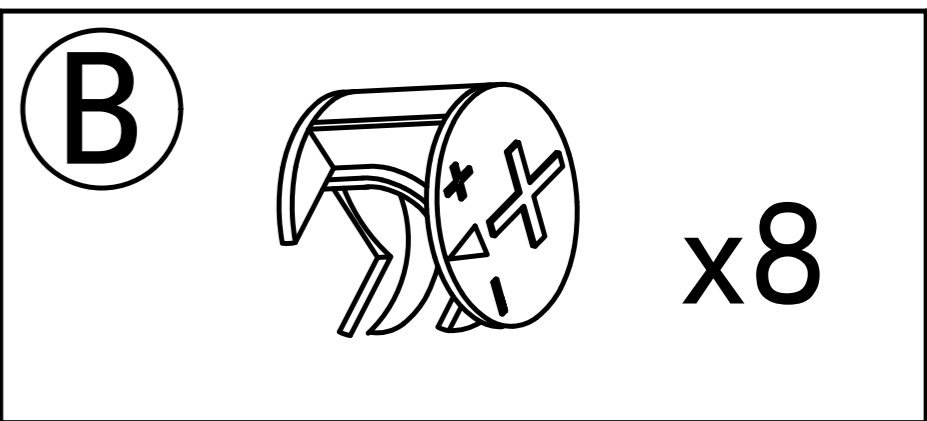
Step 10



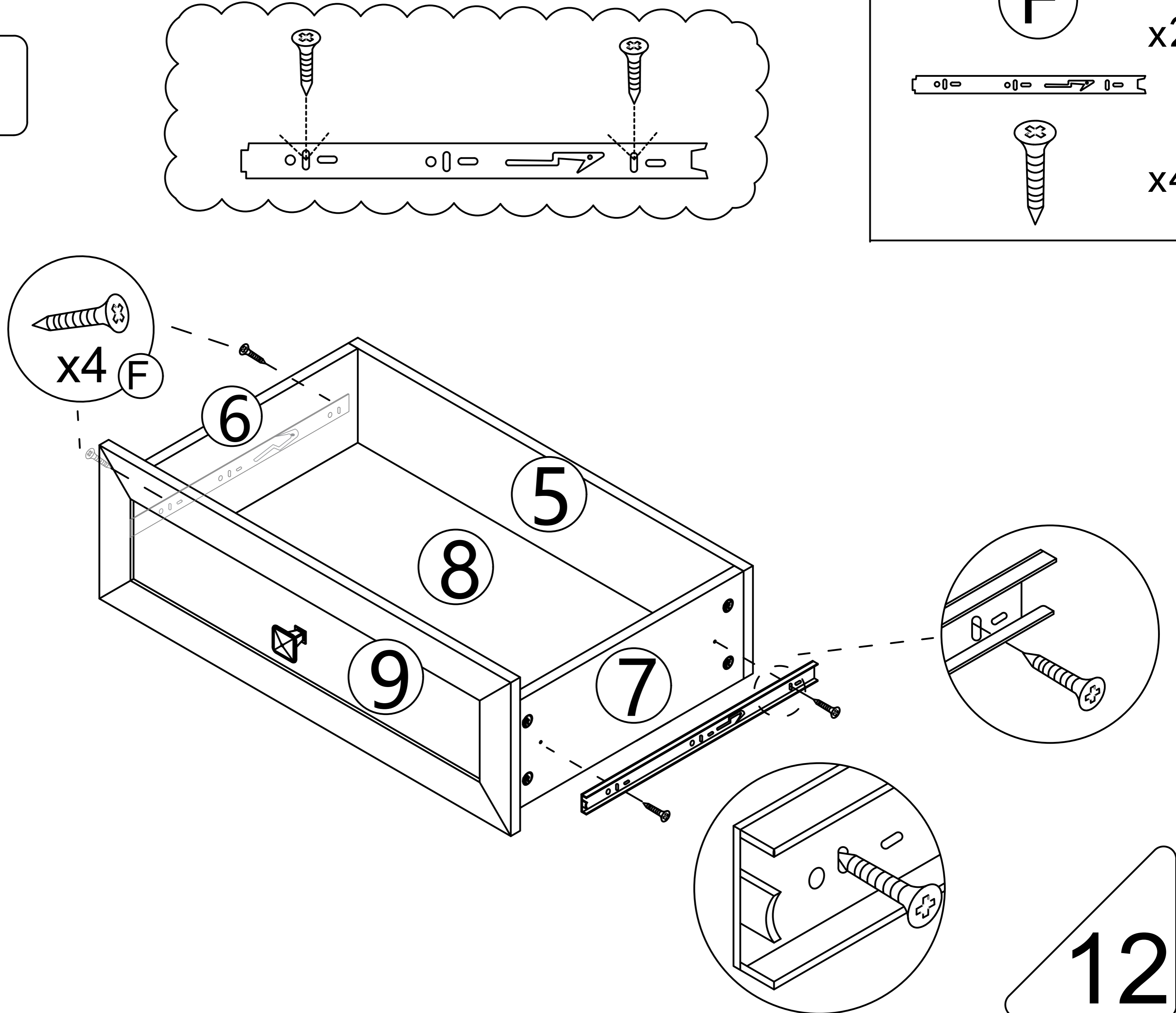
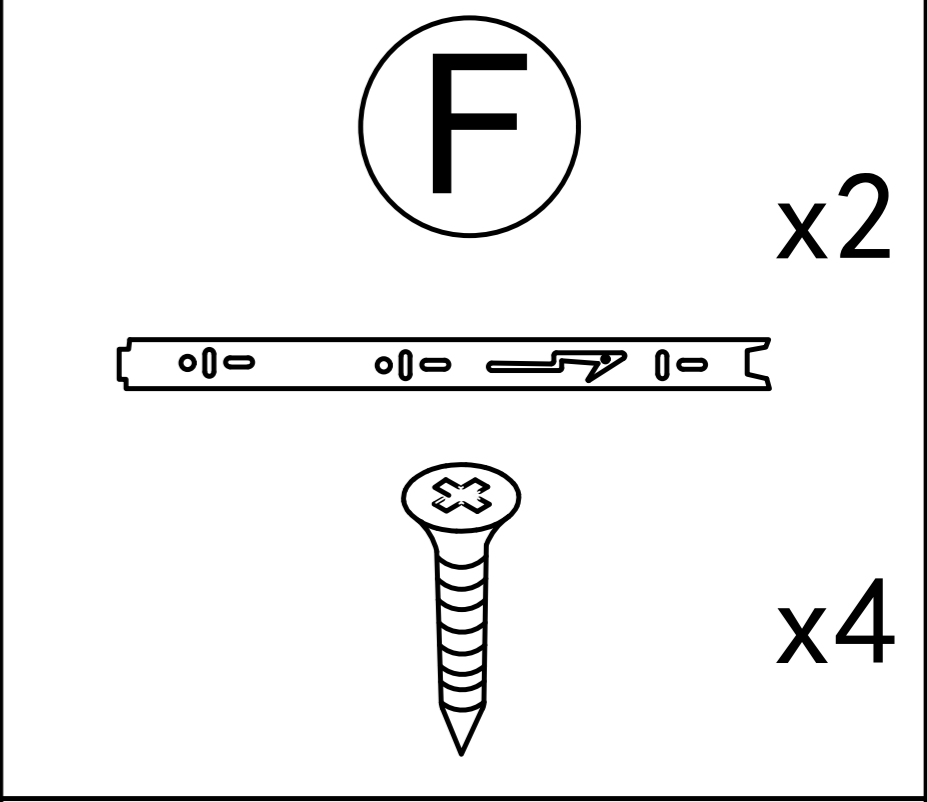
Step 11



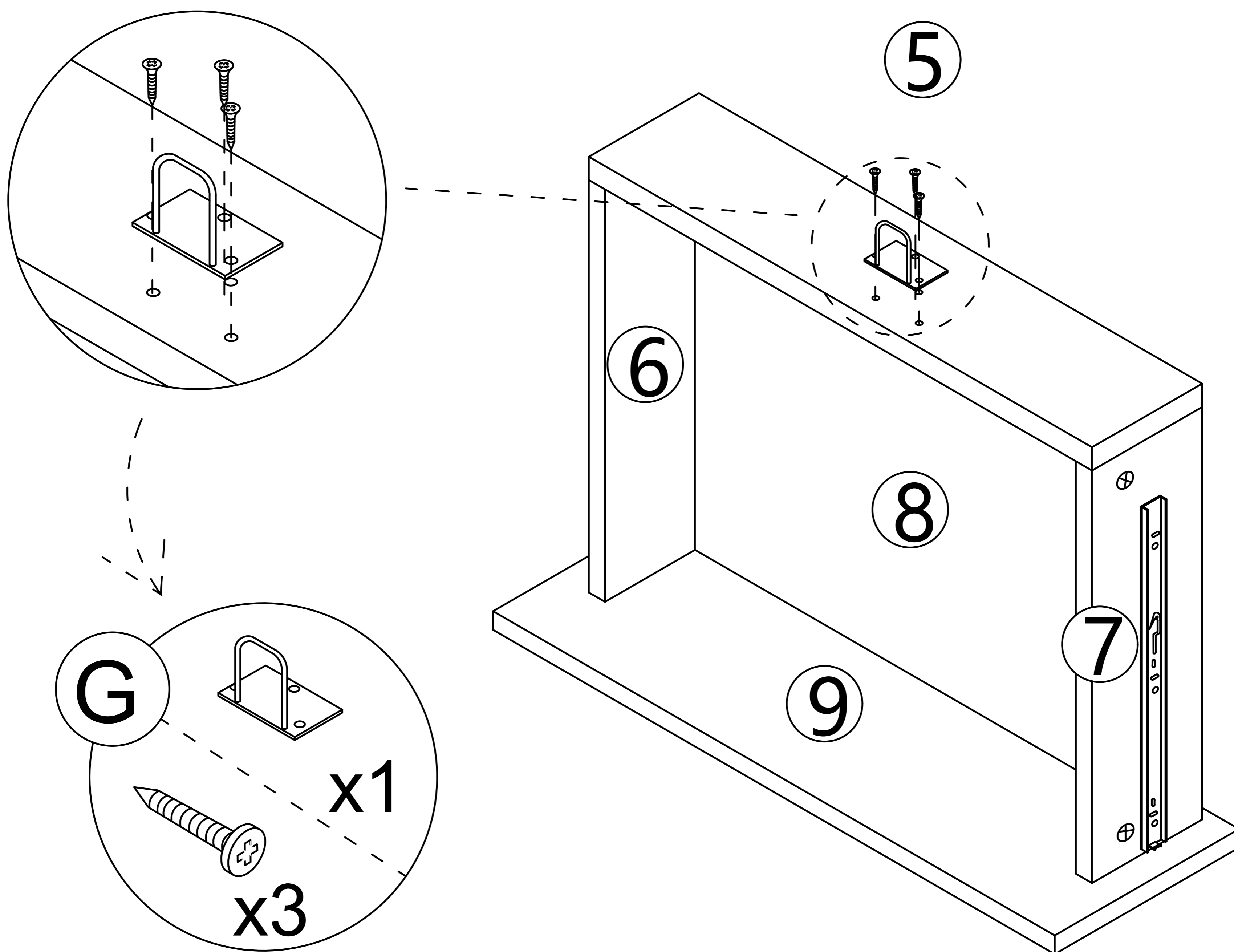
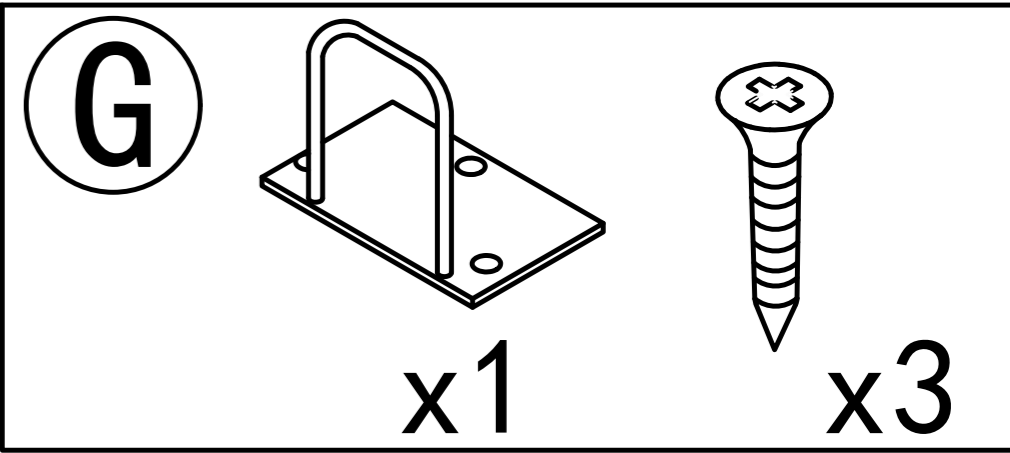
Step 12



Step 13

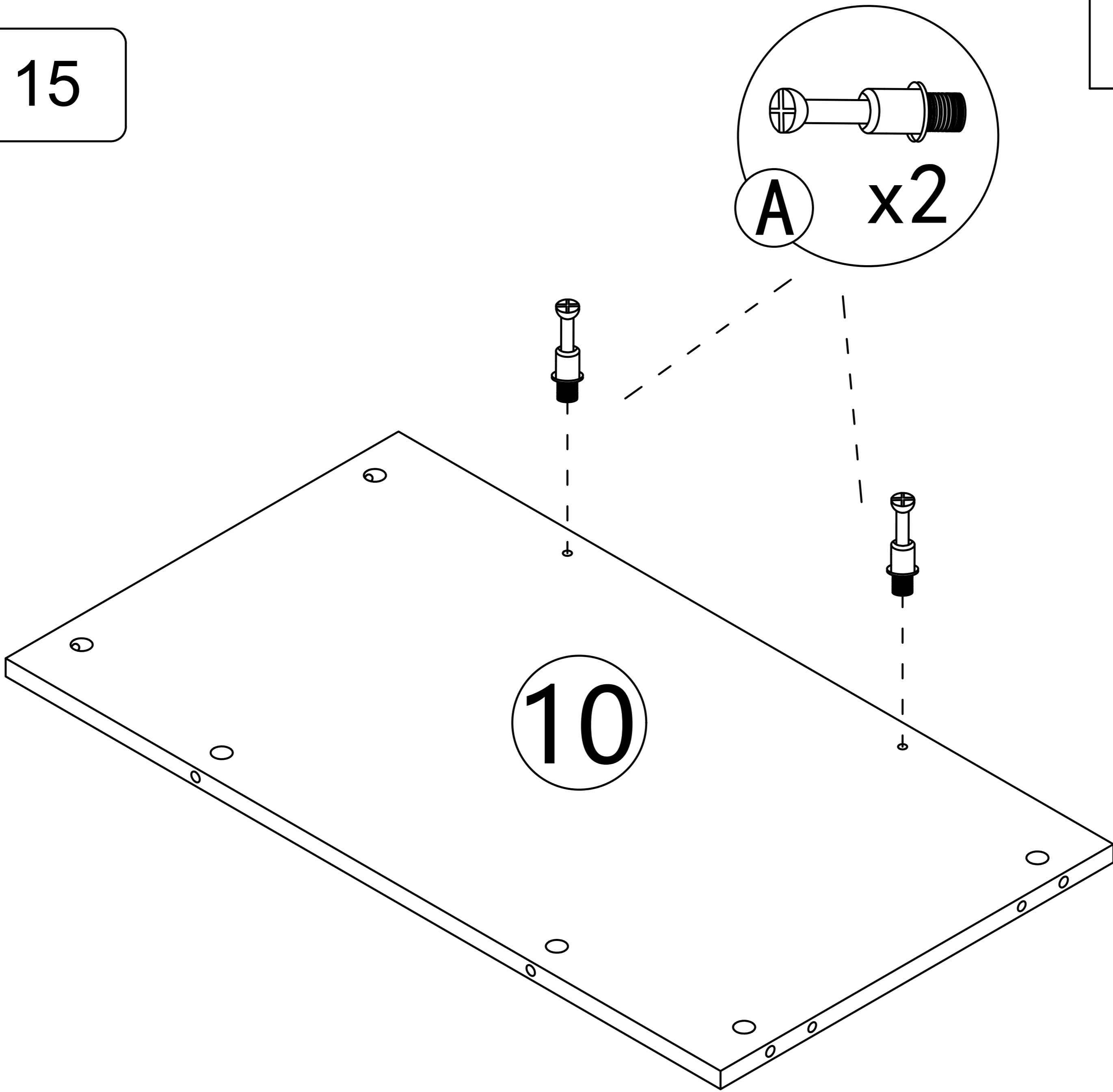
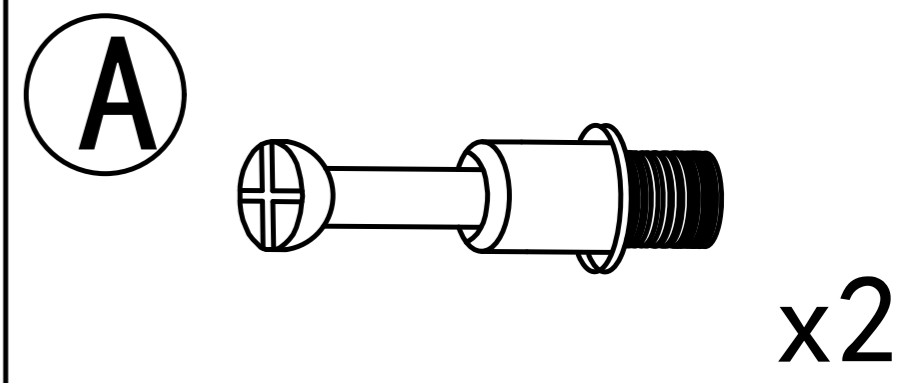


Step 14

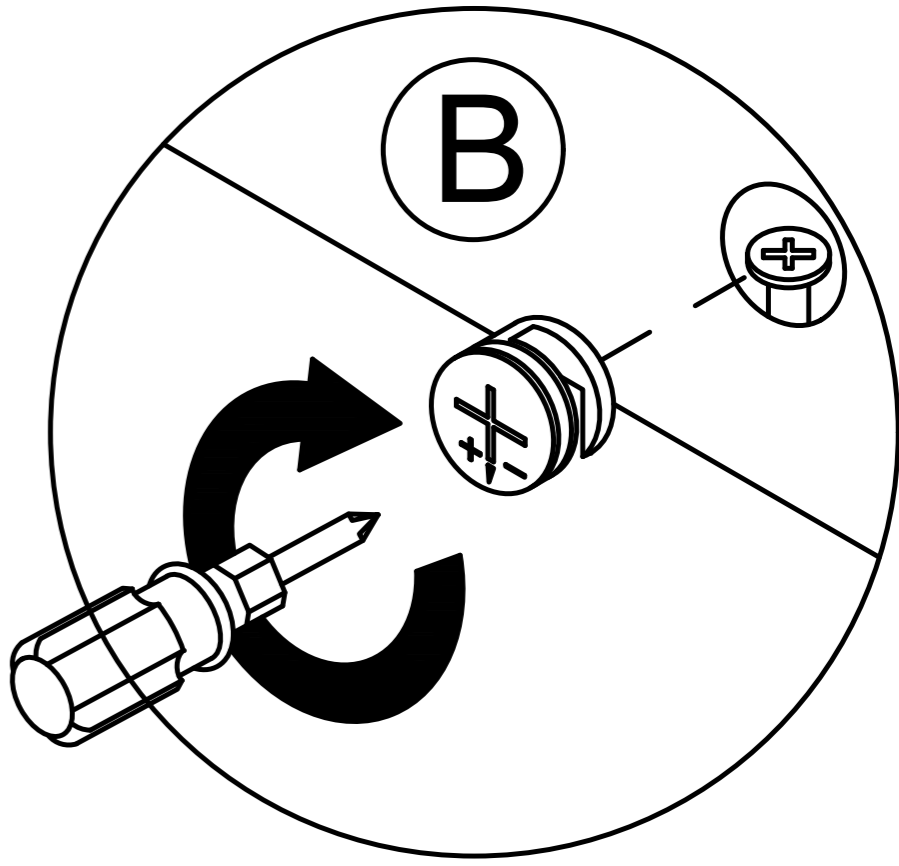
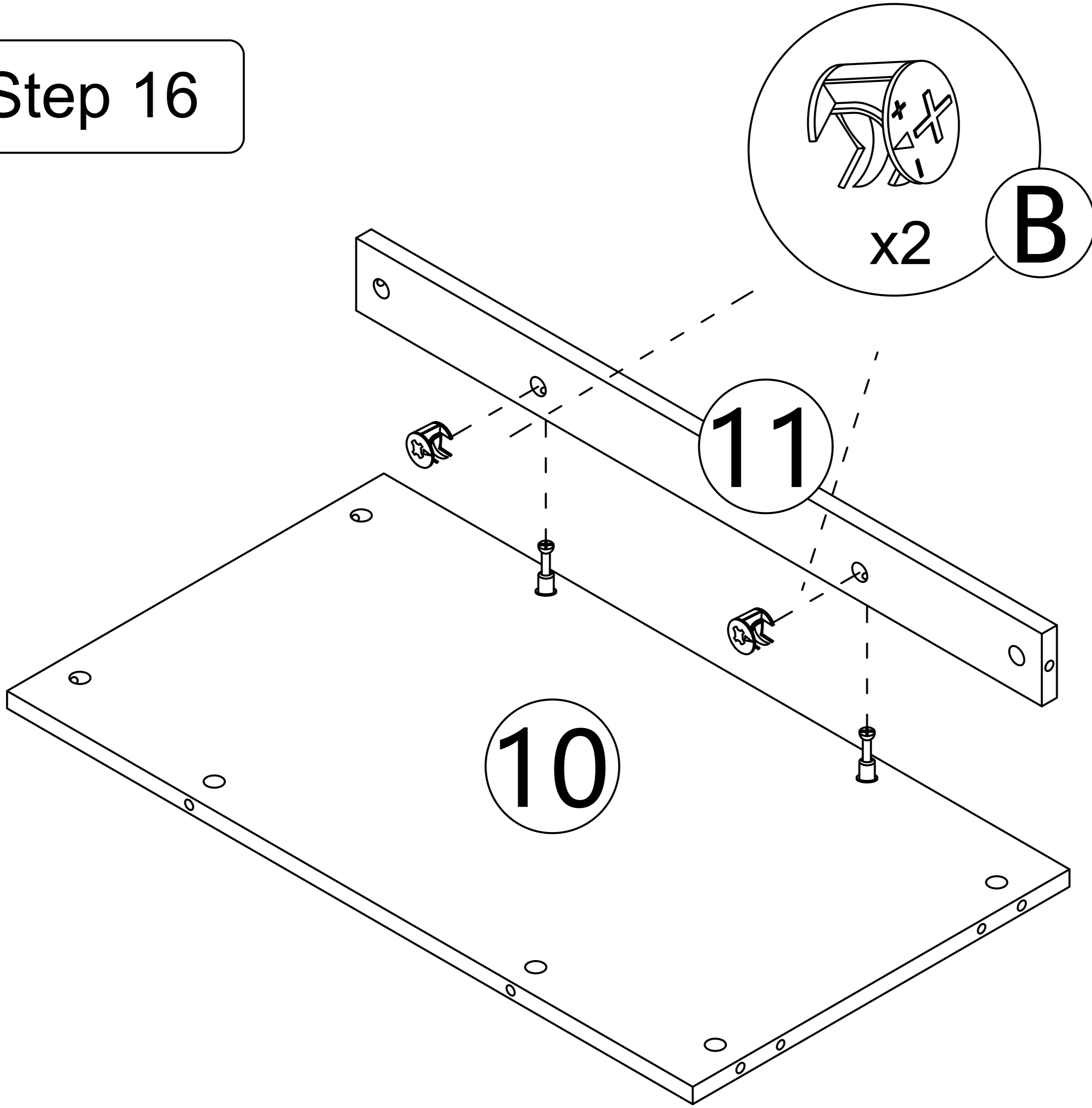
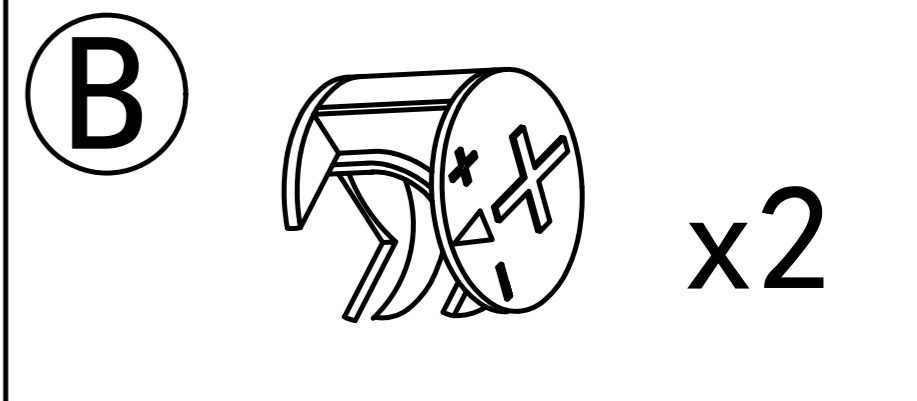


Attention: Do not install the hidden buckle upside down, otherwise the drawer will not lock properly

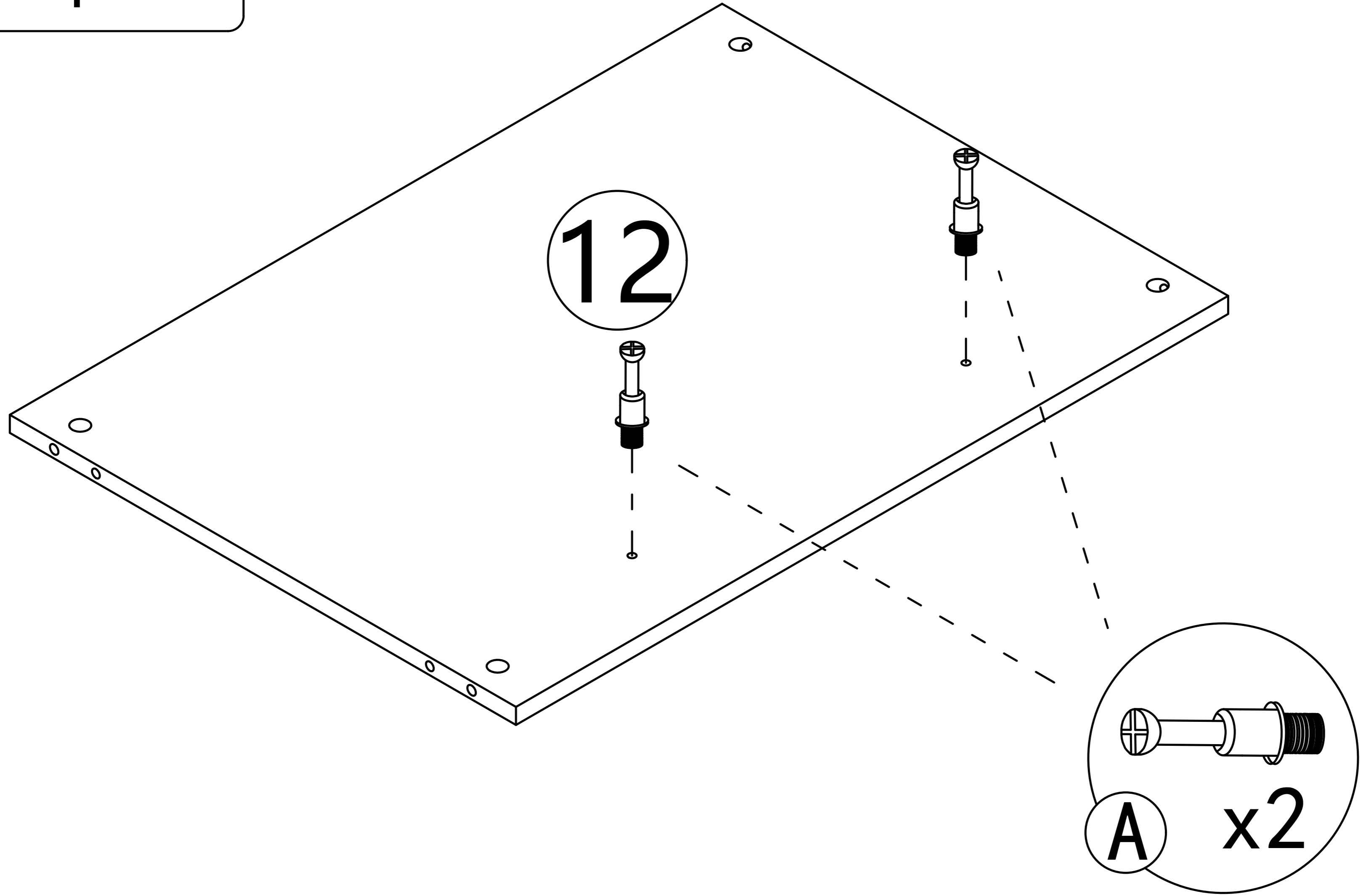
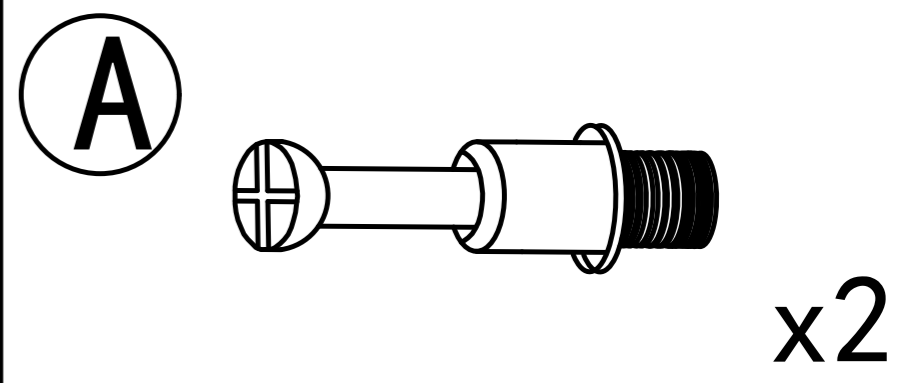
Step 15



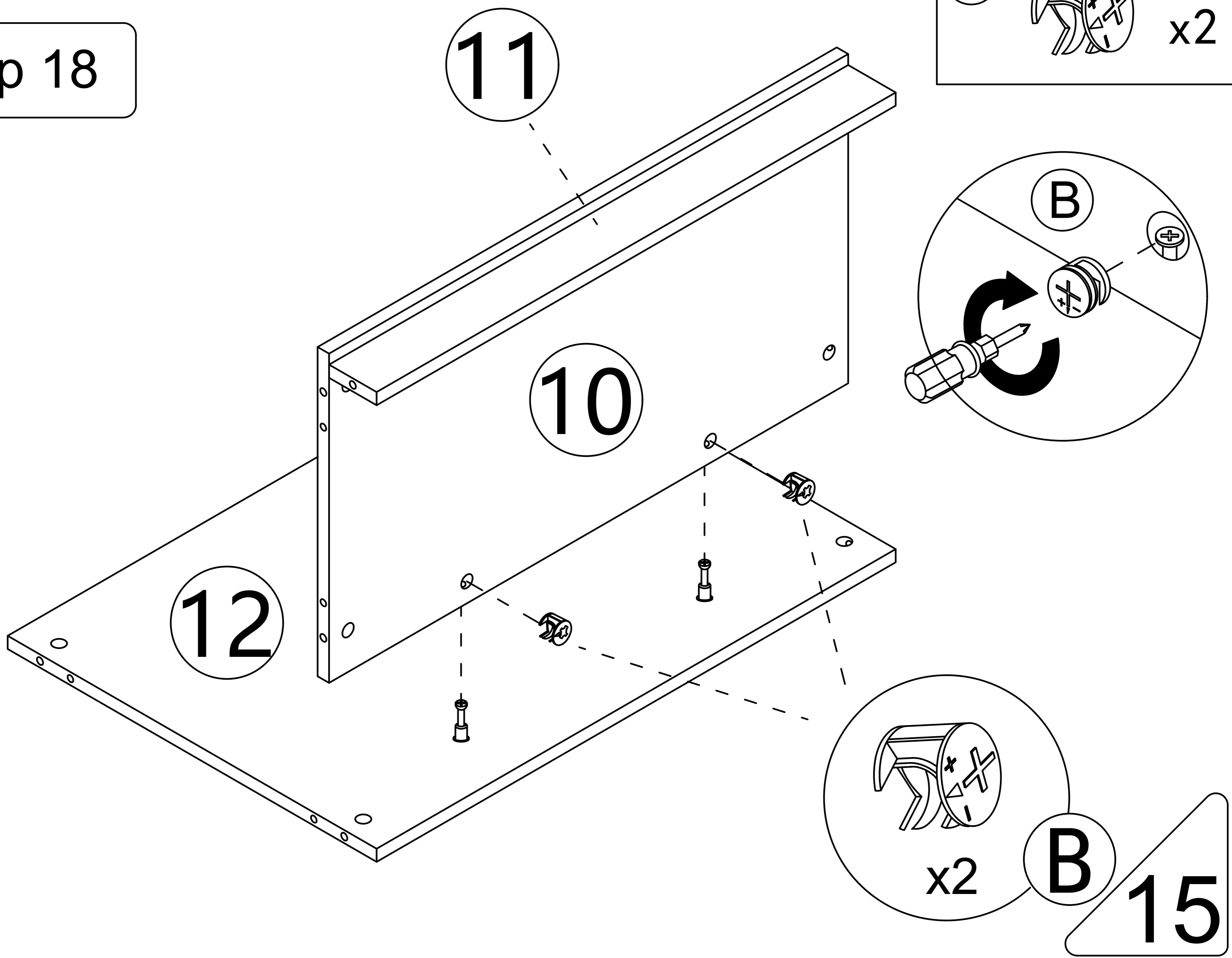
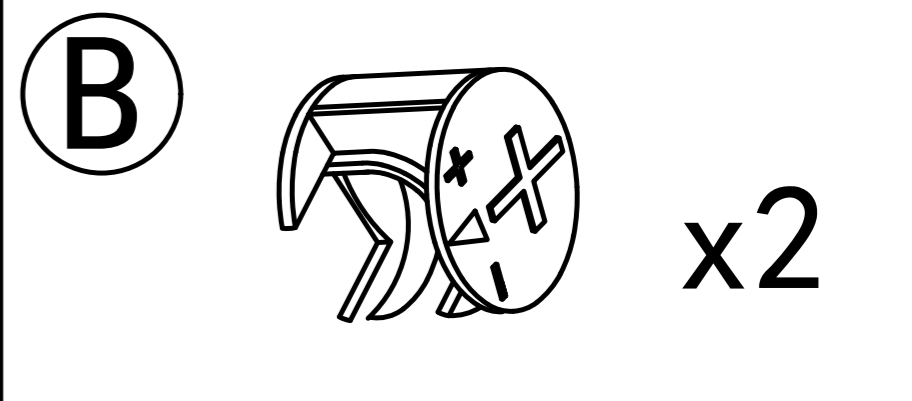
Step 16



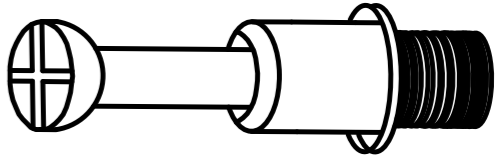
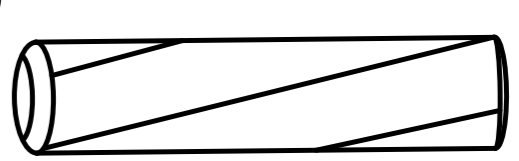
Step 17

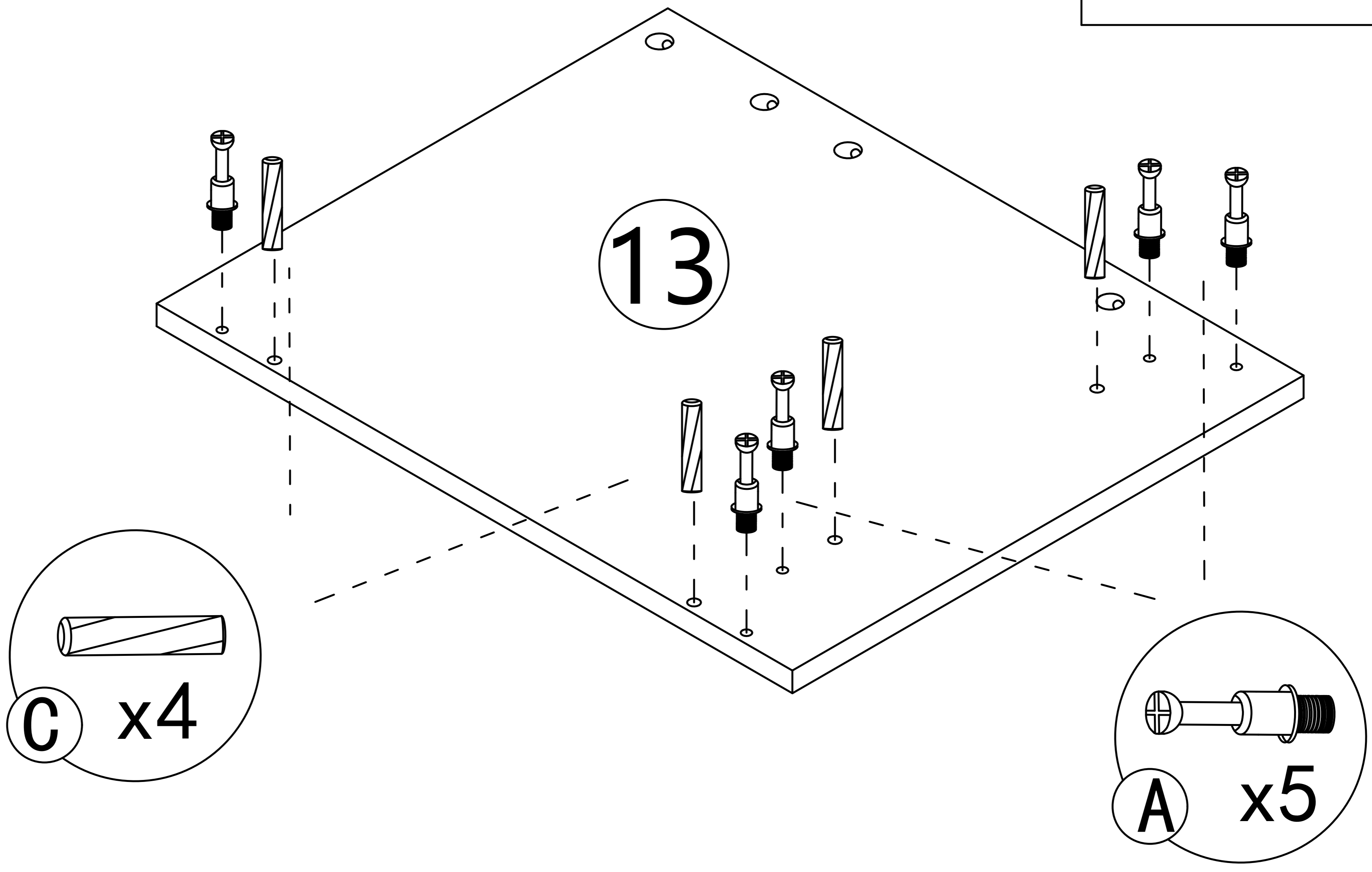


Step 18



Step 19

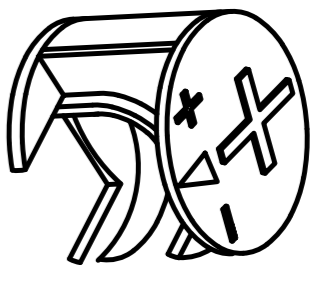
- A**  x5
- C**  x4

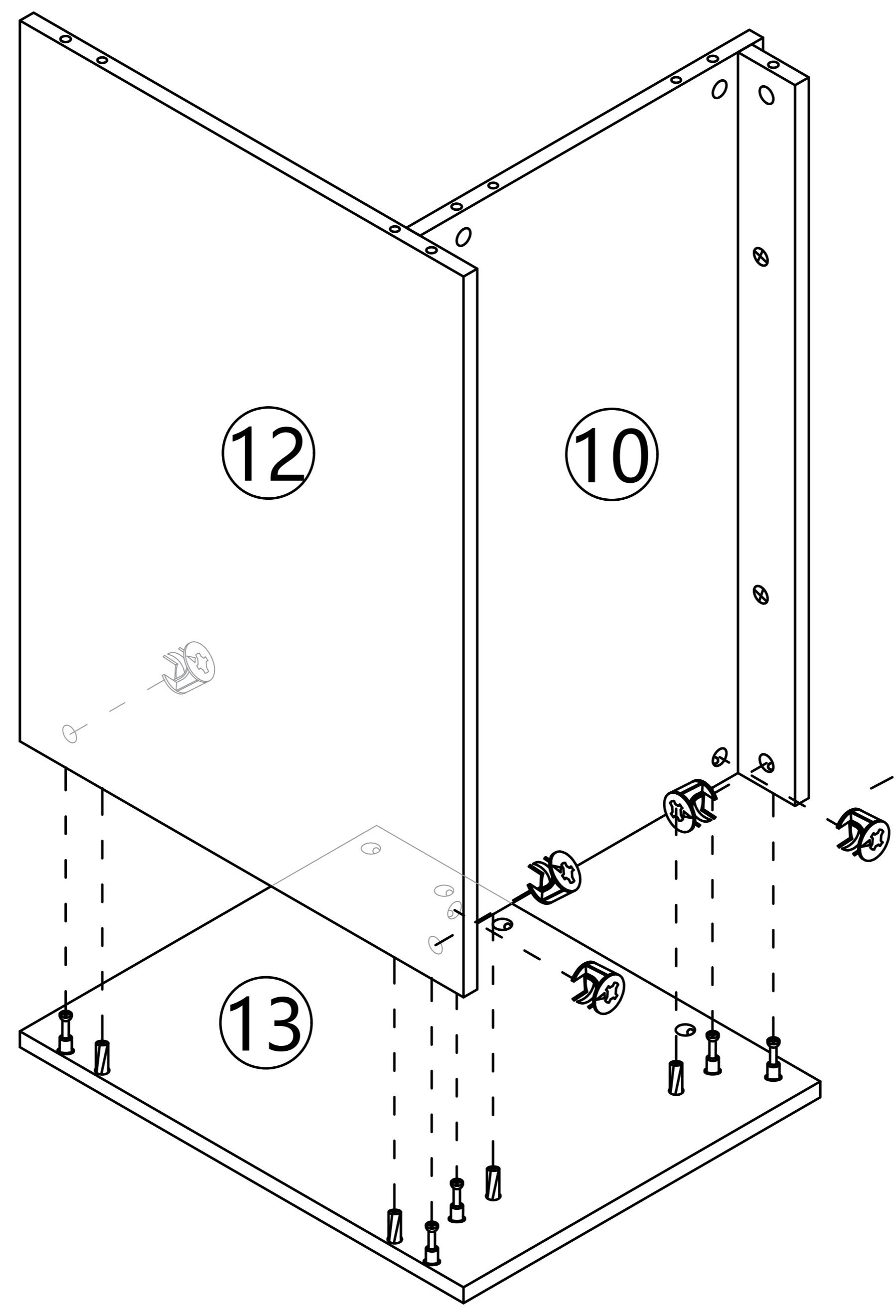
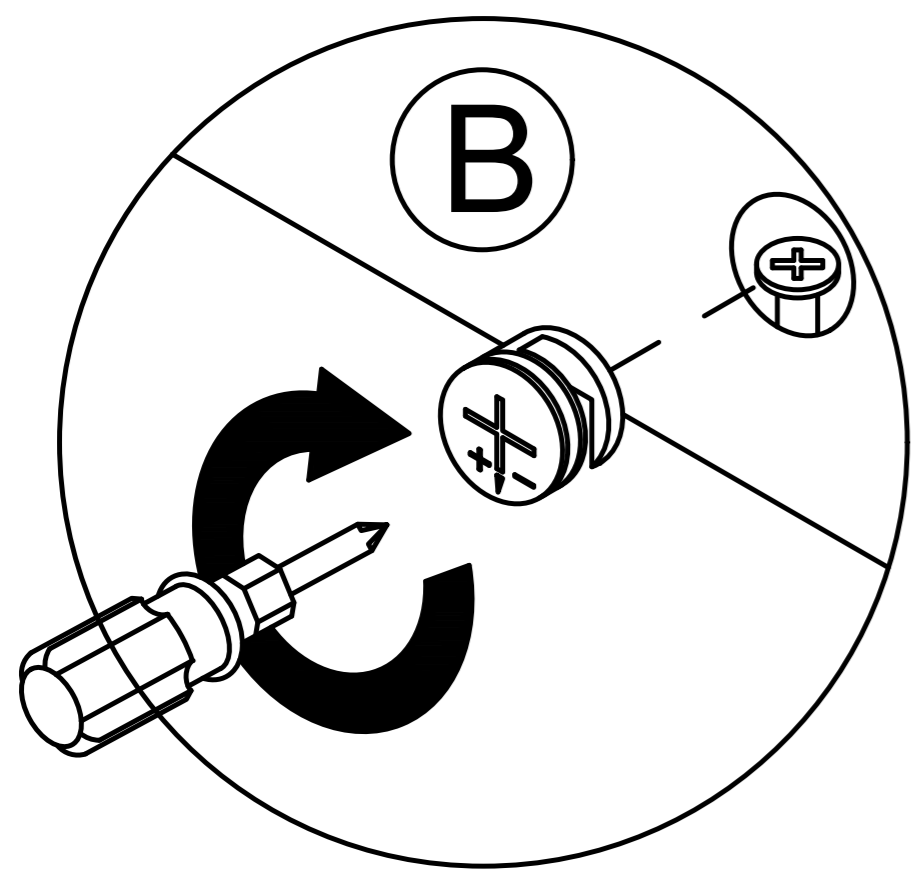


- C** x4

- A** x5

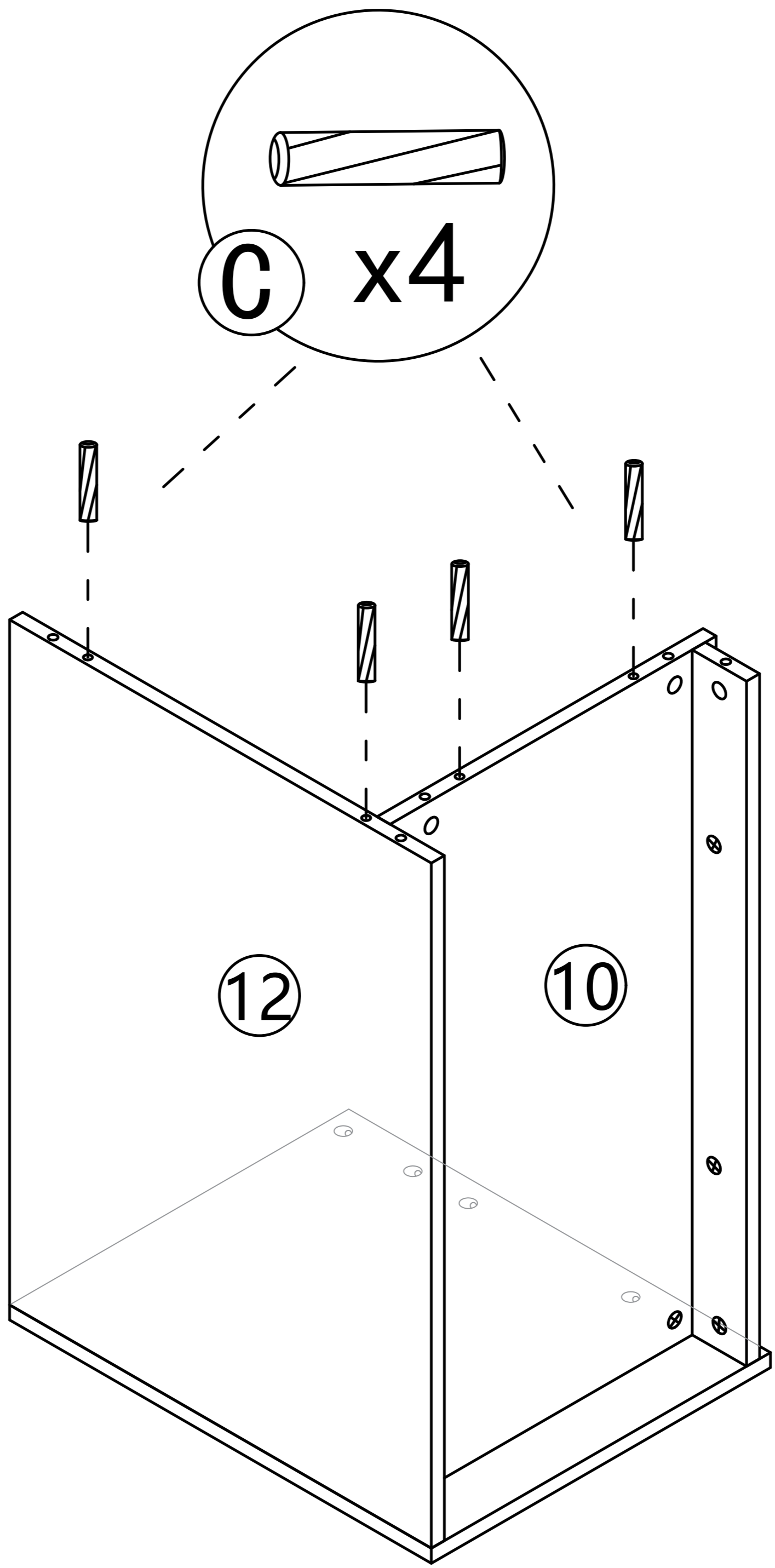
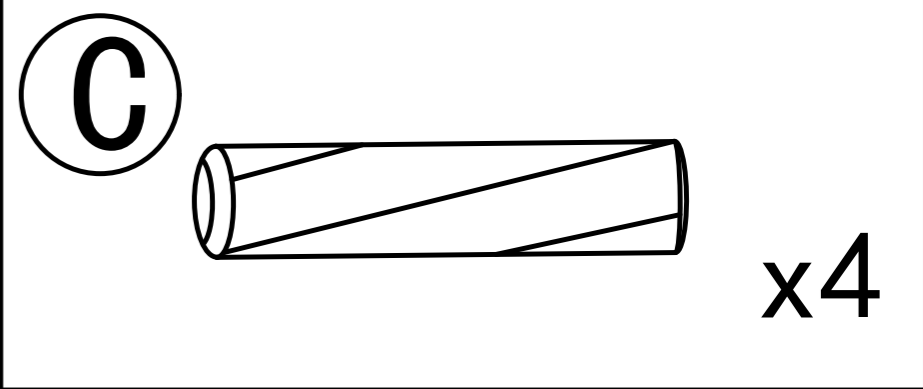
Step 20

- B**  x5

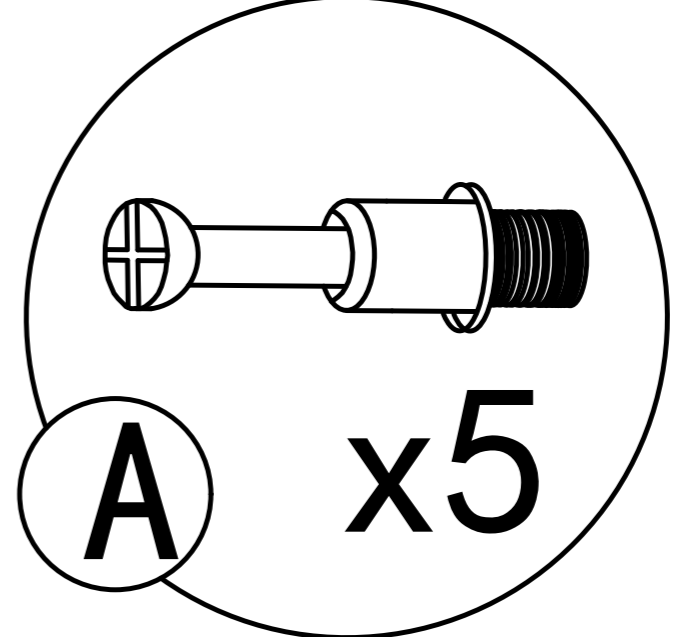
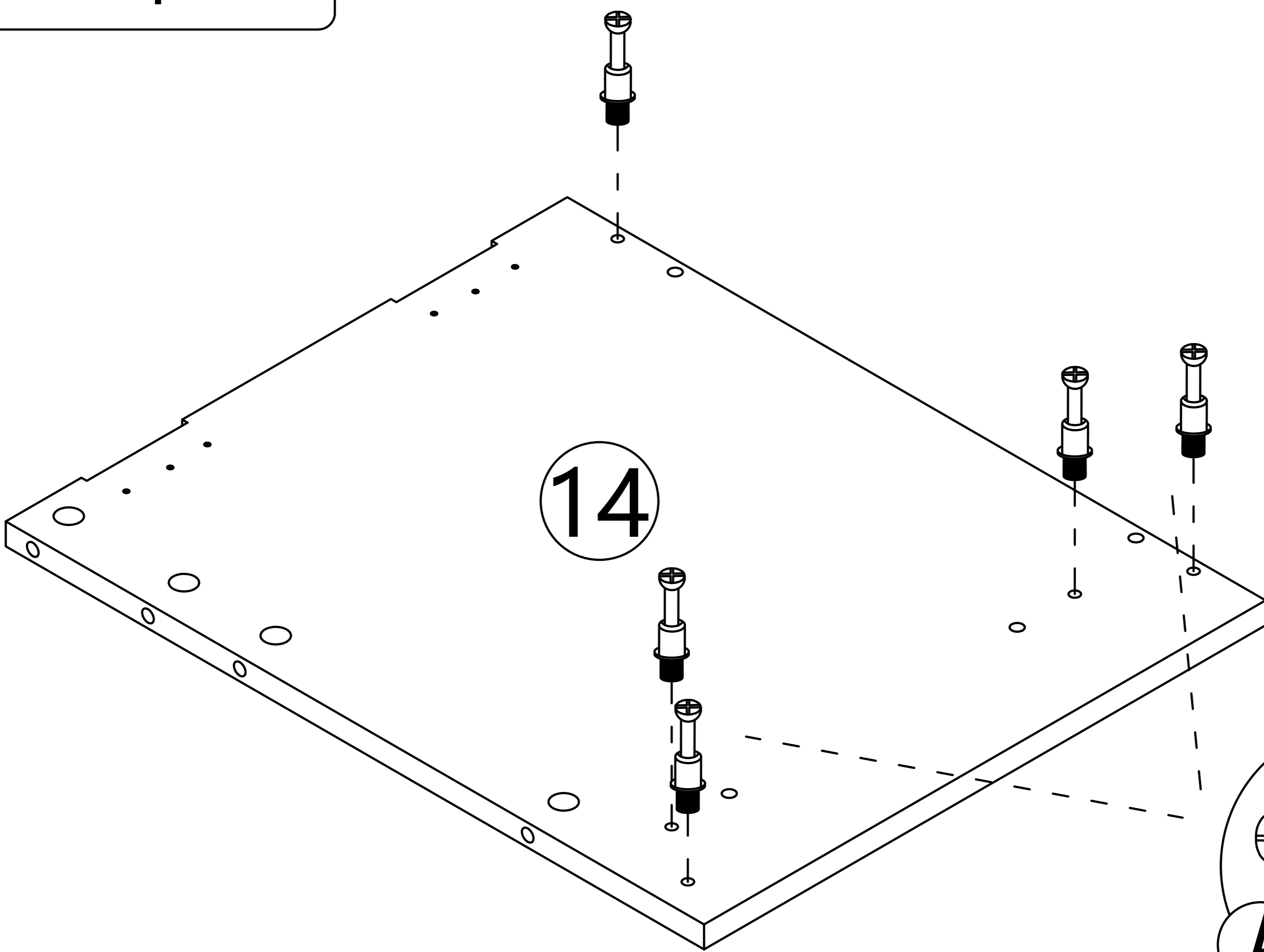
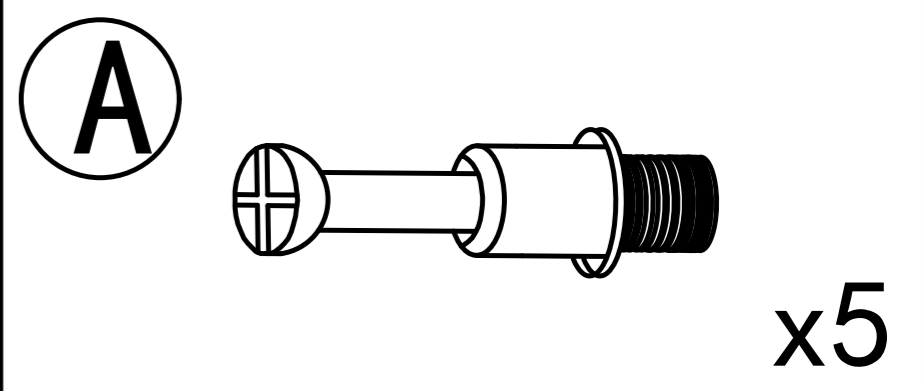


- B** x5

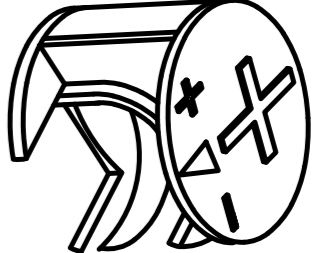
Step 21

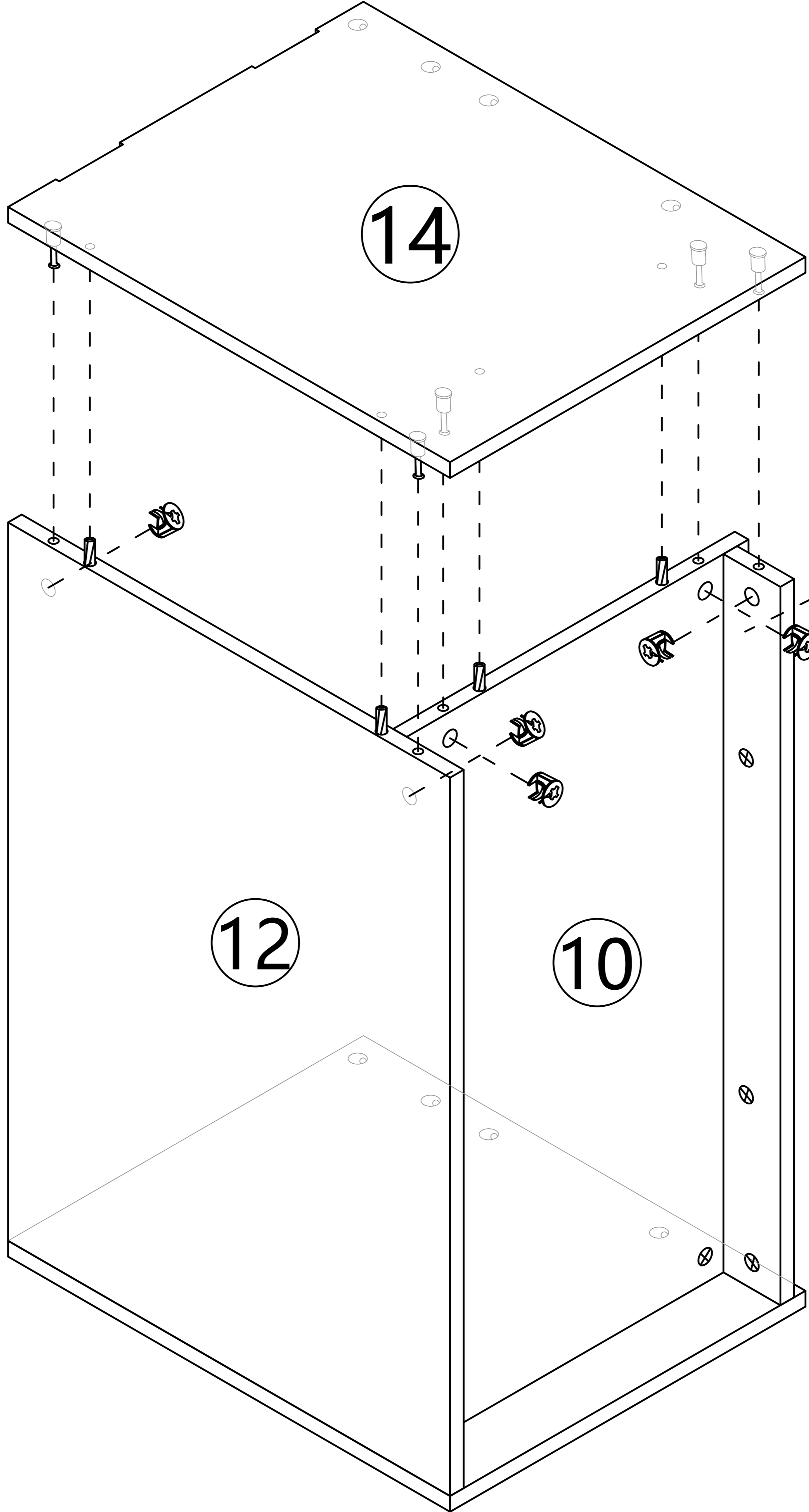
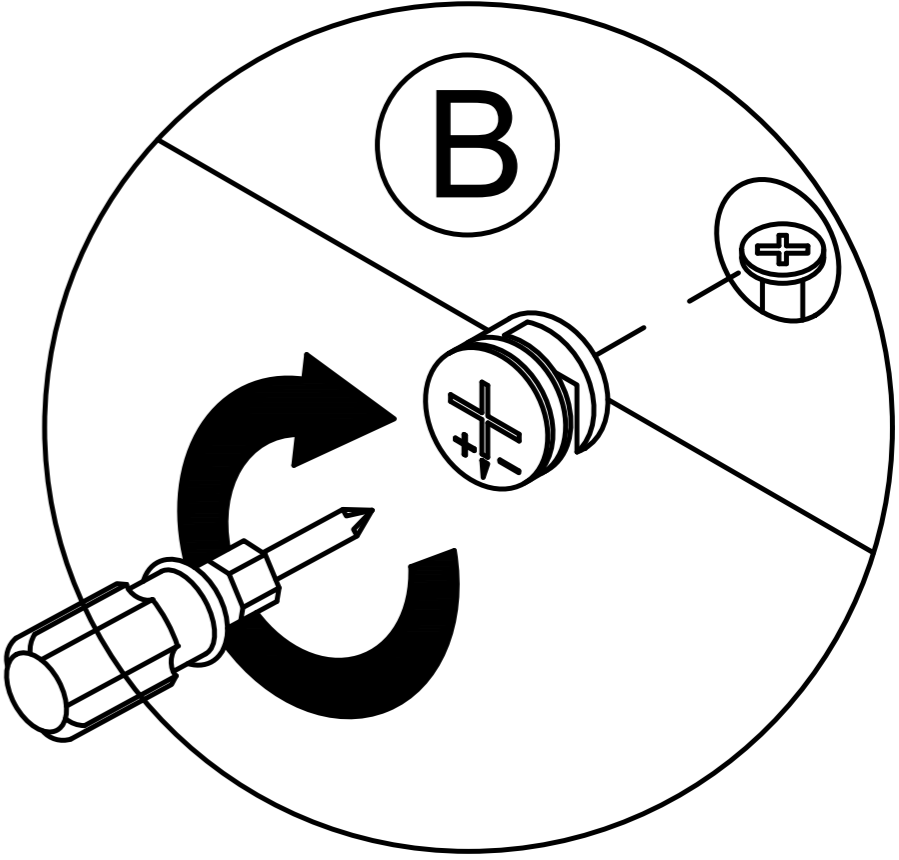


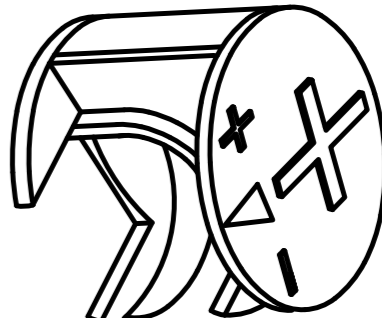
Step 22



Step 23

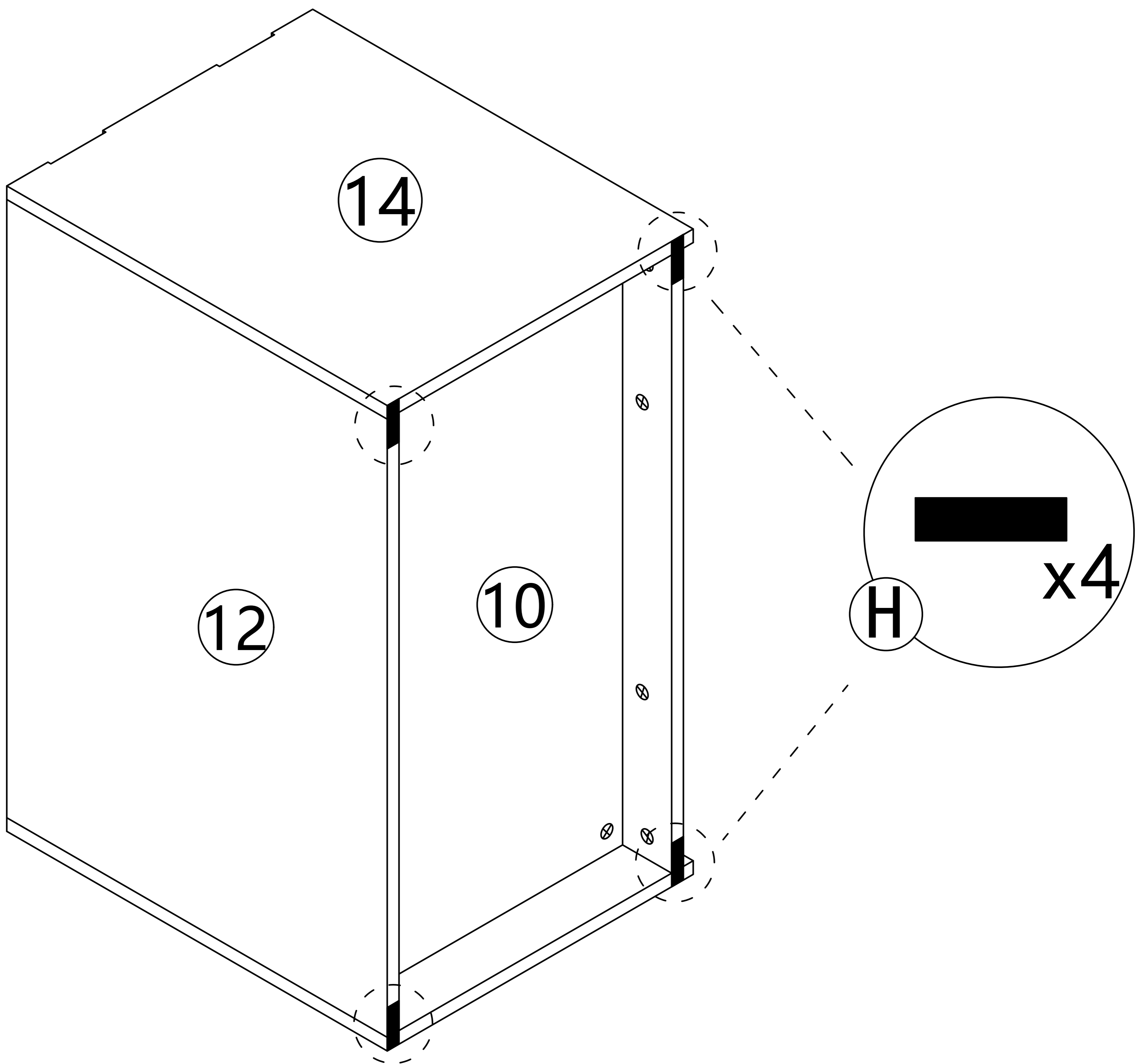
B  x5



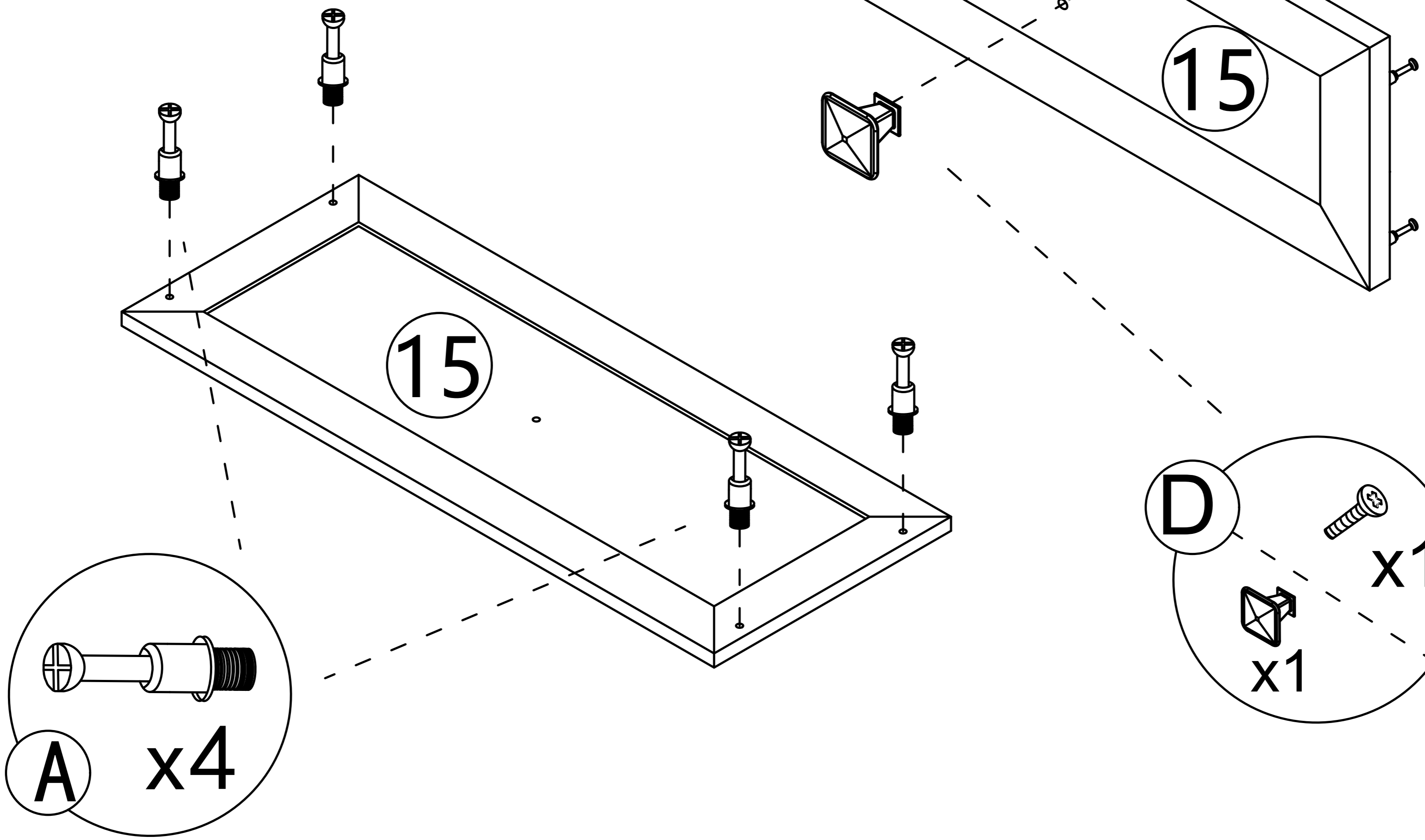
 x5 **B**

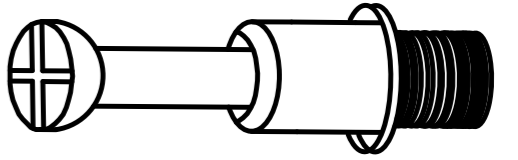
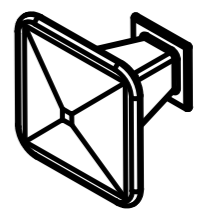

Step 24

Ⓜ  x4

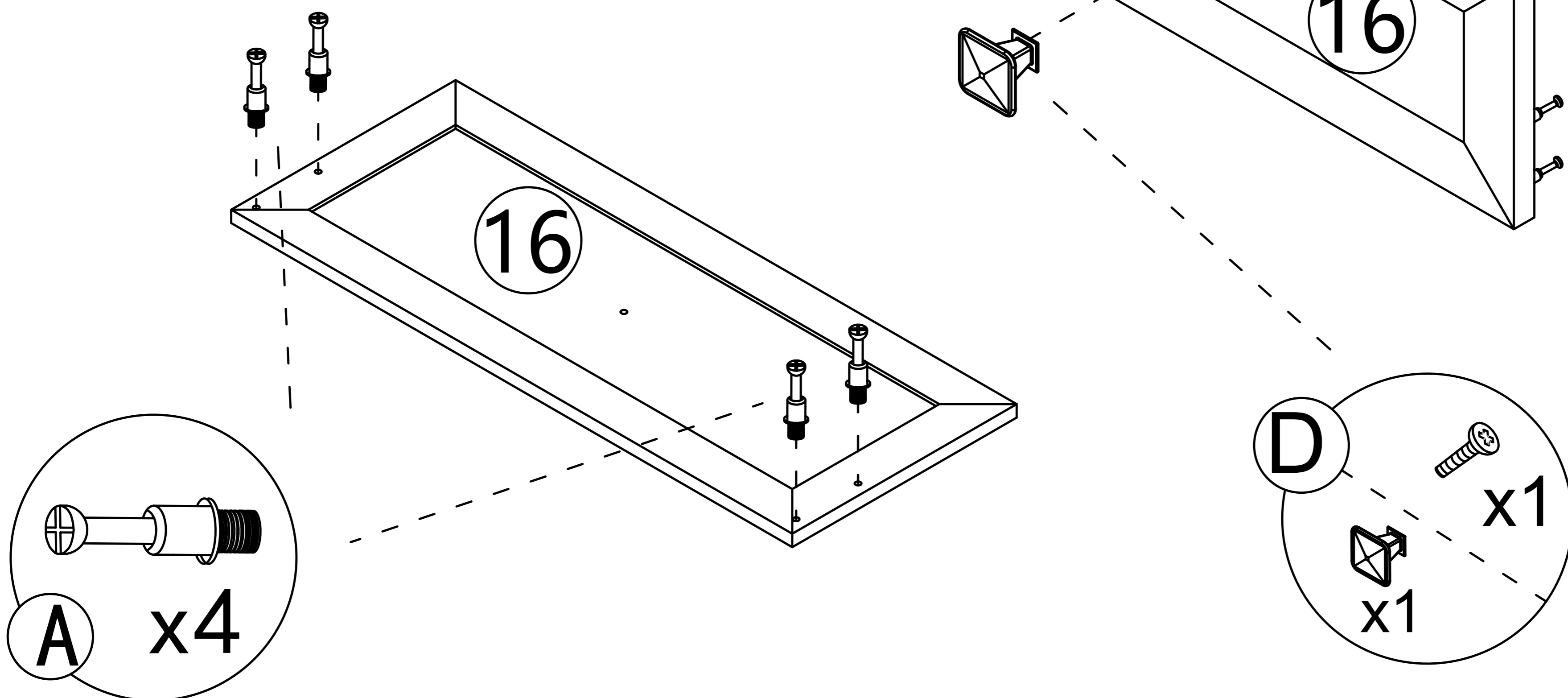


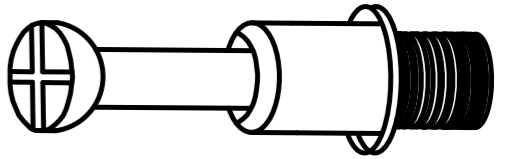
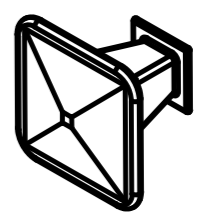

Step 25



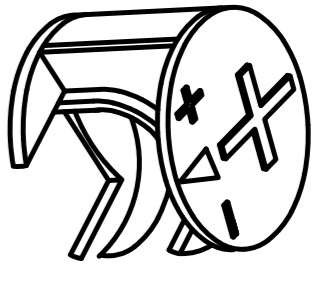
A		x4
D		x1
		x1

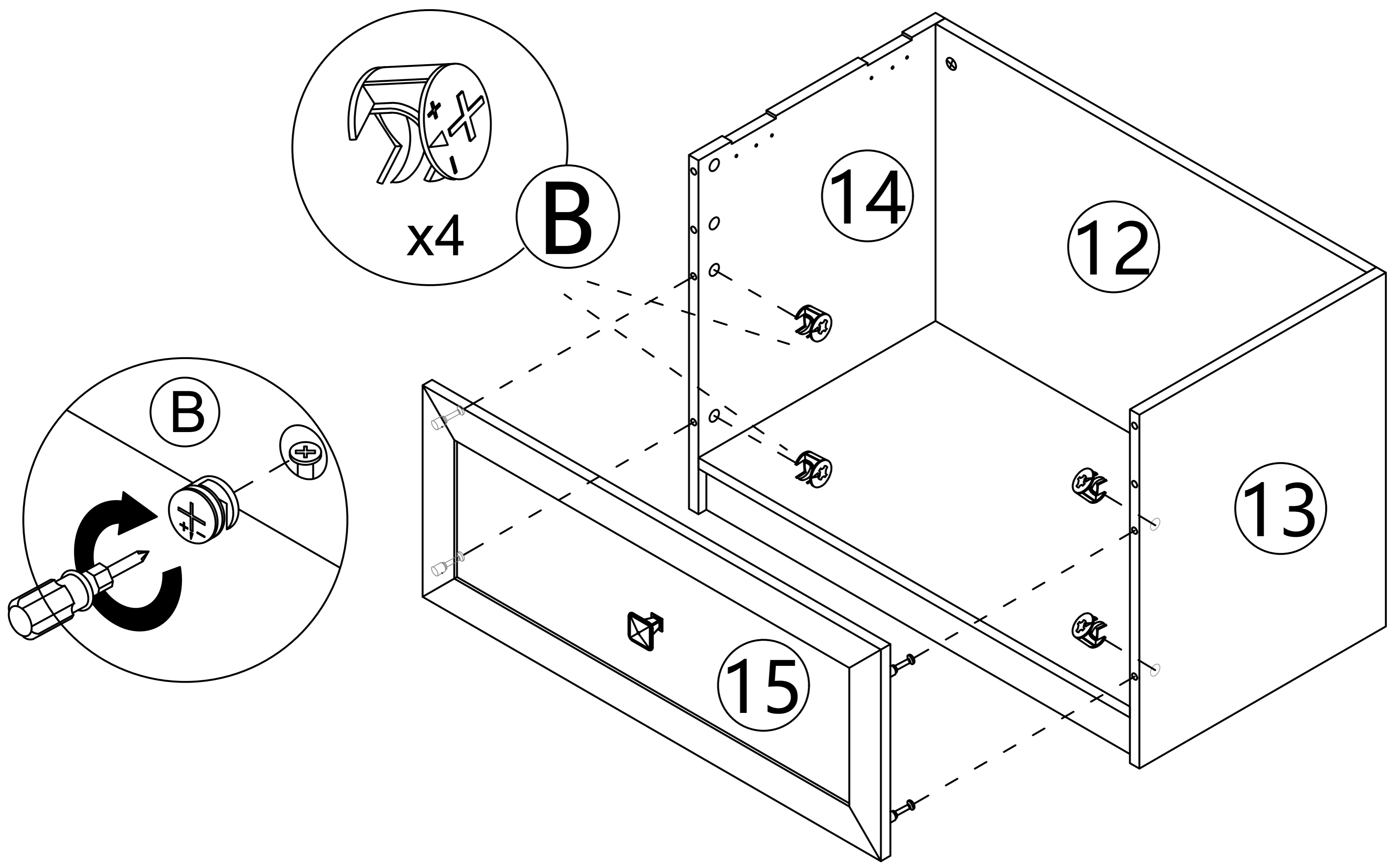
Step 26



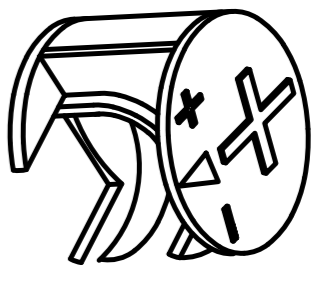
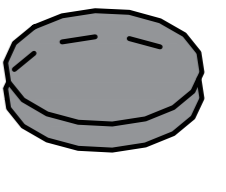
A		x4
D		x1
		x1

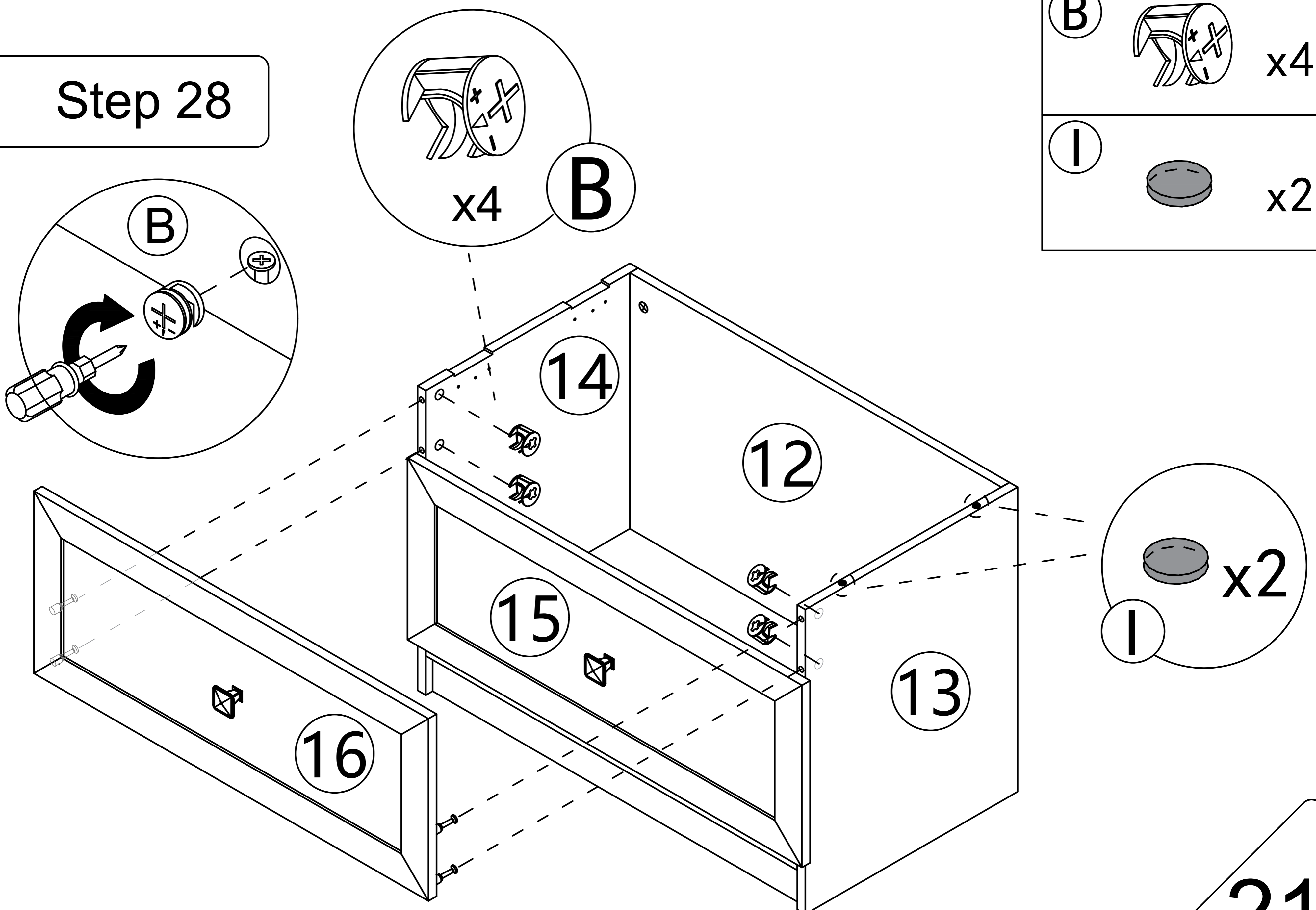
Step 27

- (B)  x4

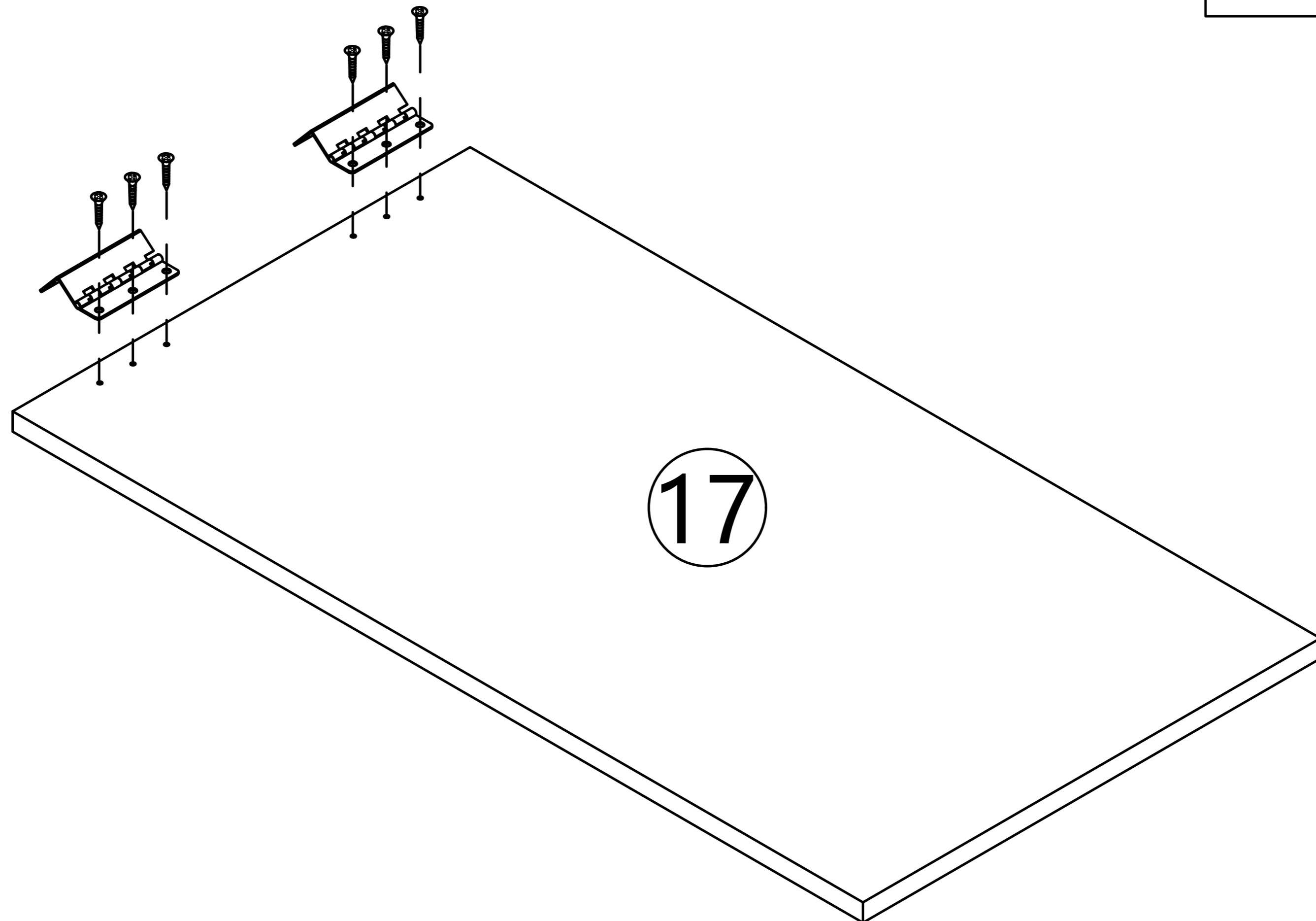
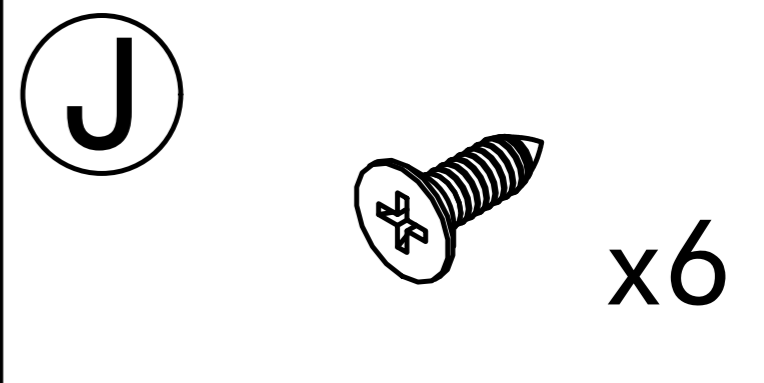
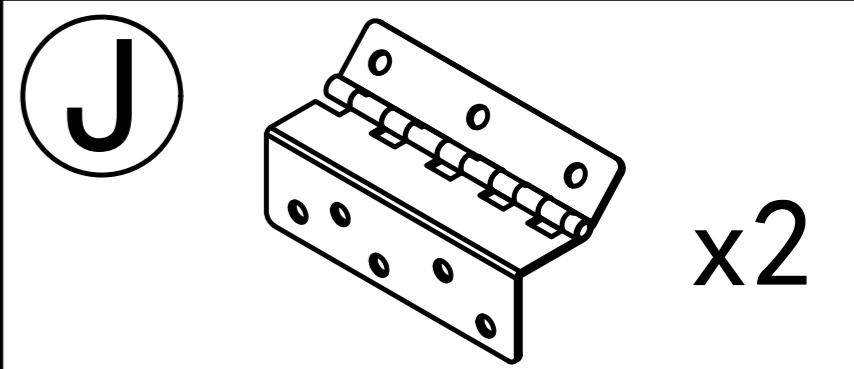
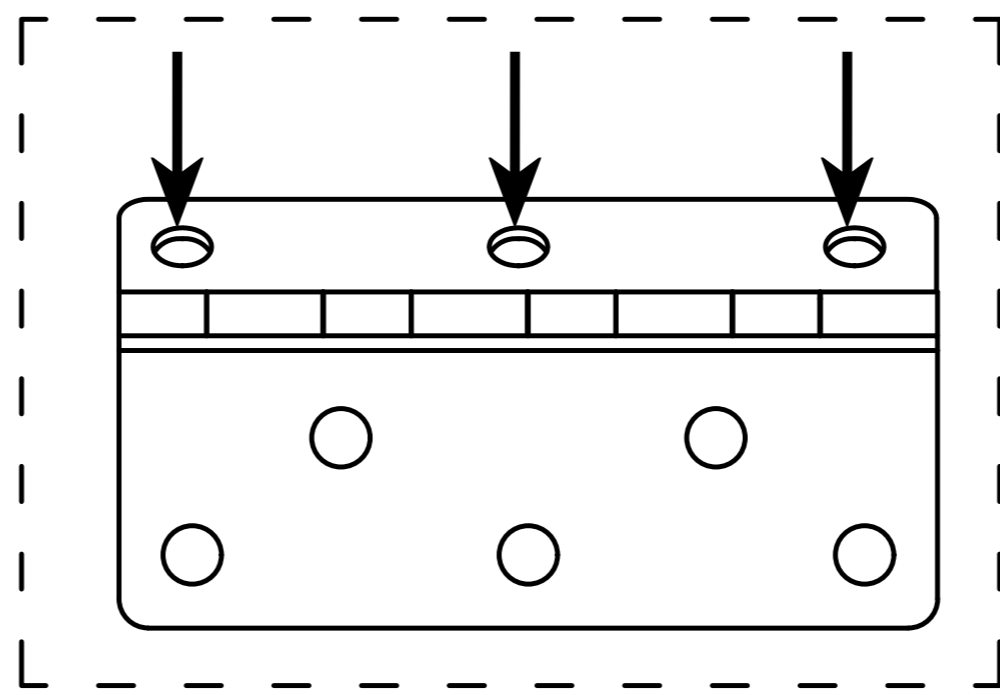


Step 28

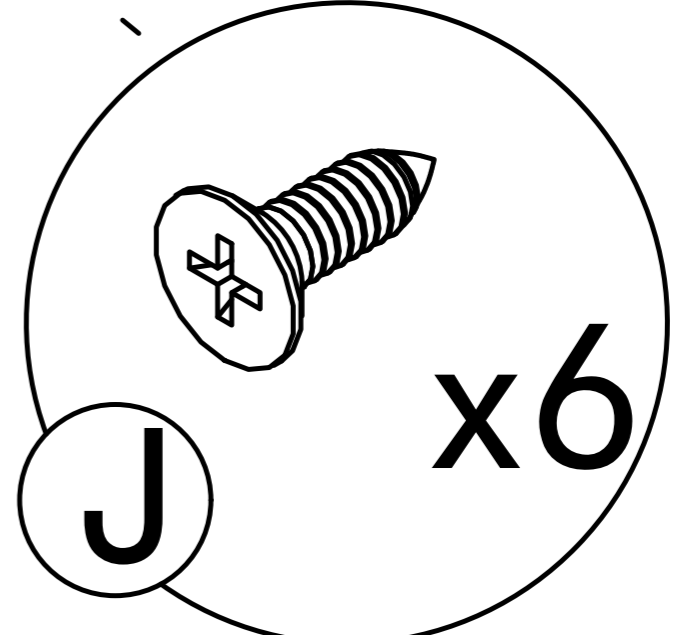
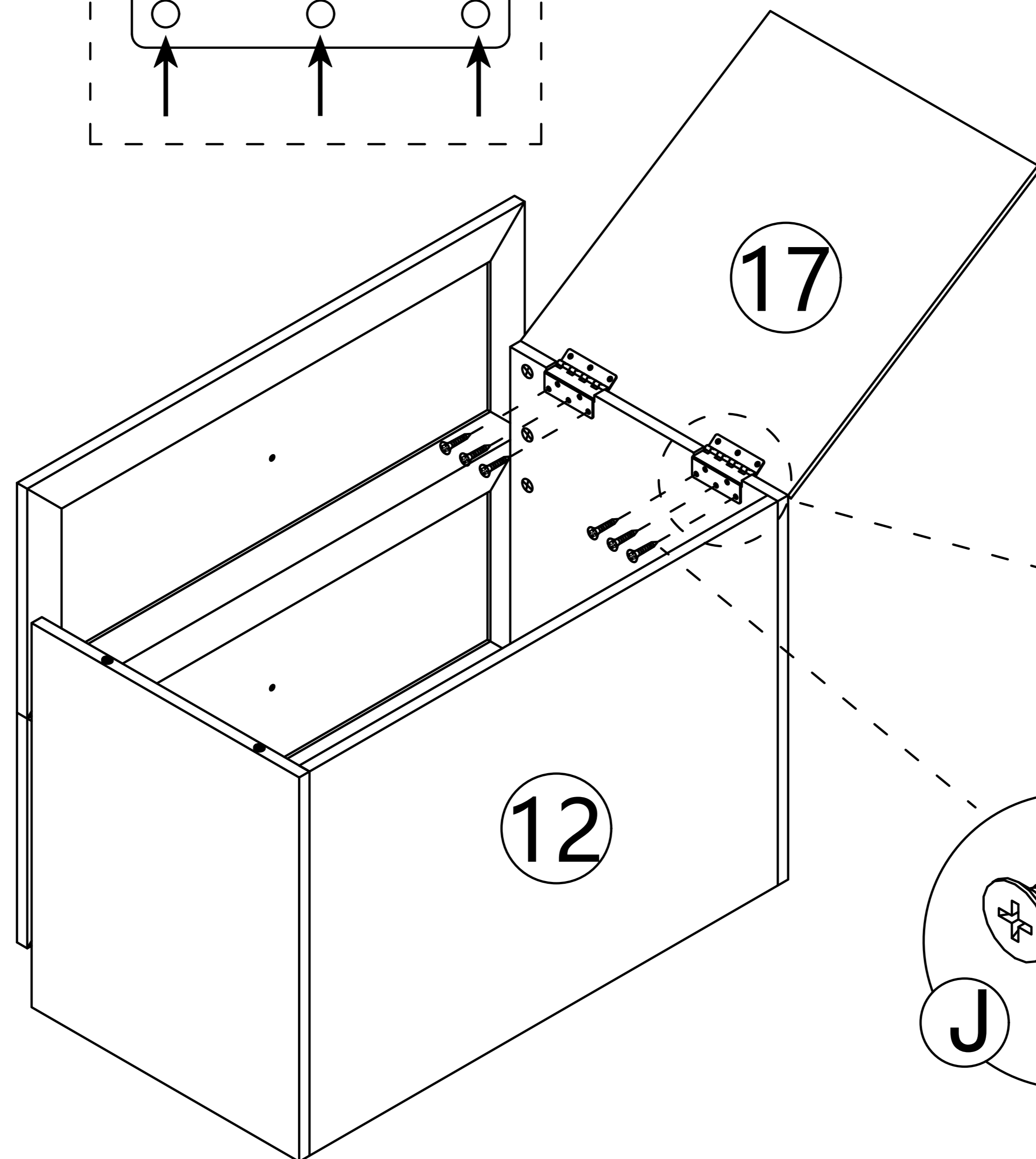
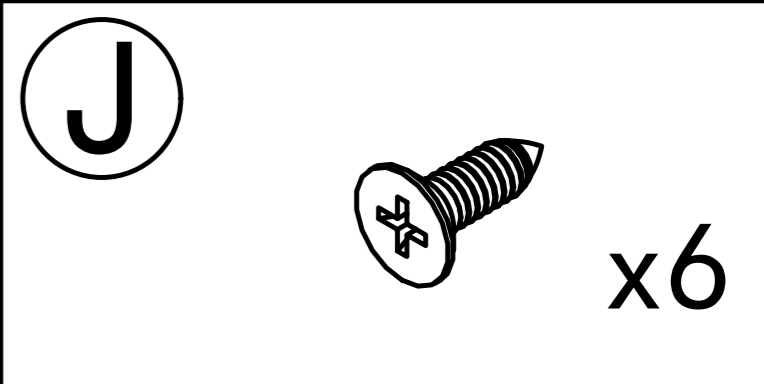
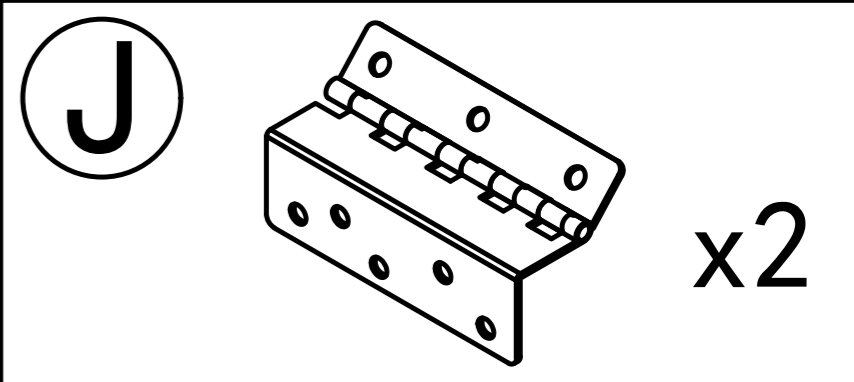
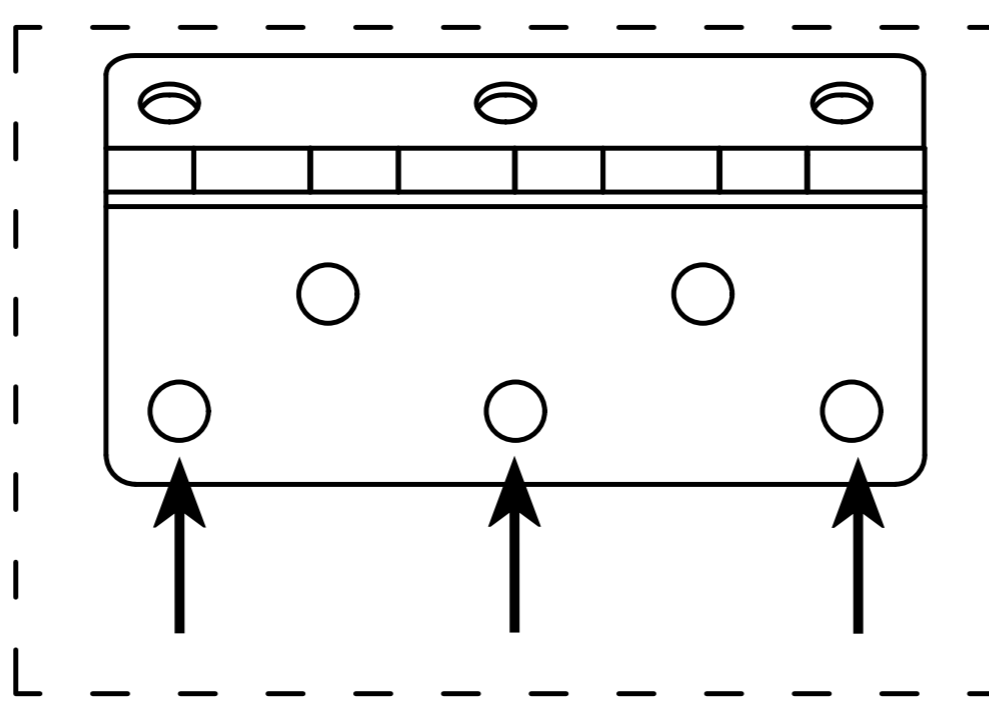
- (B)  x4
- (I)  x2



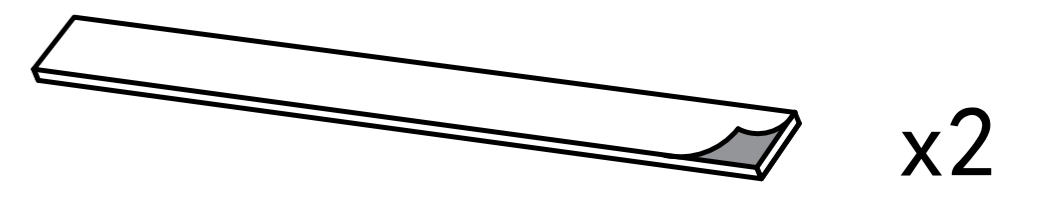
Step 29



Step 30



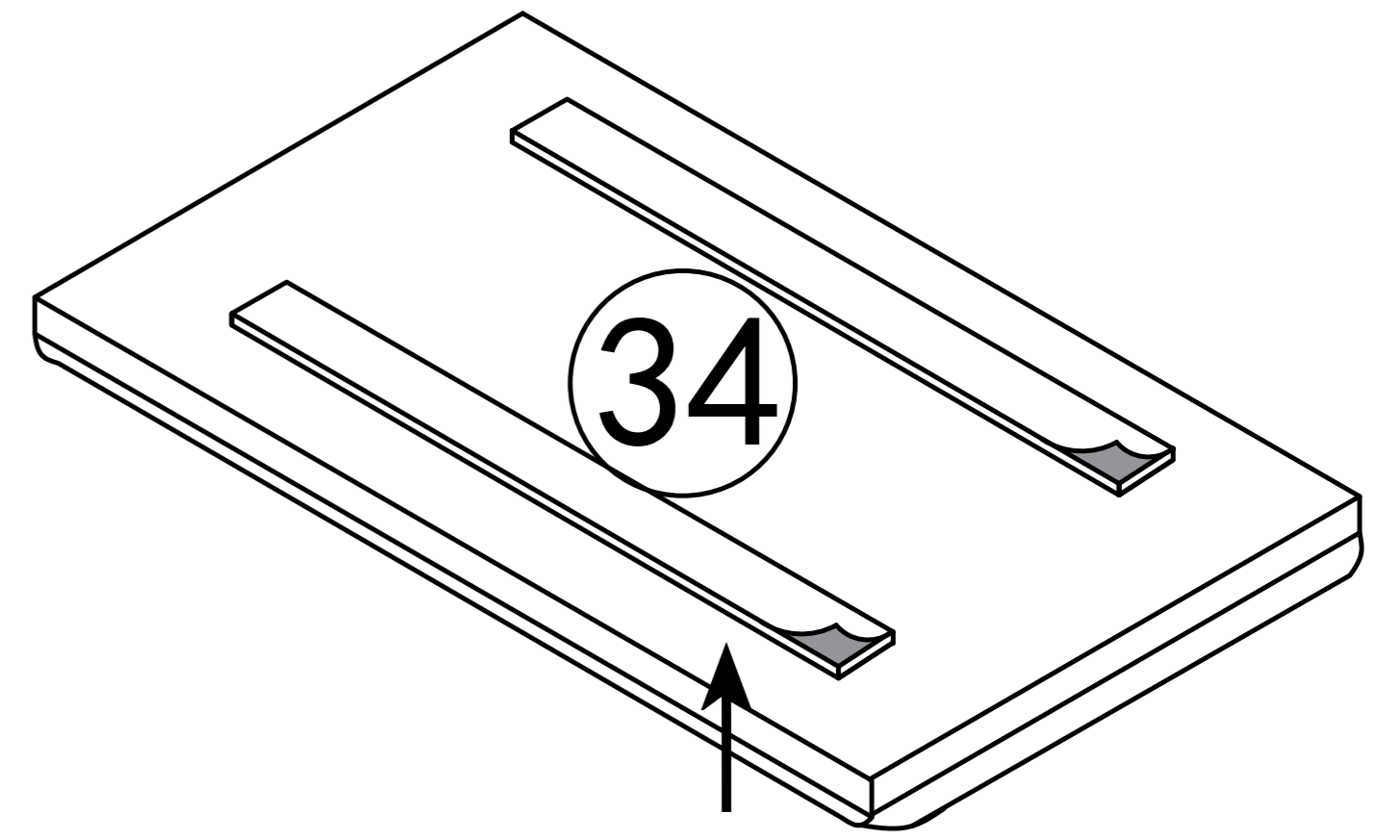
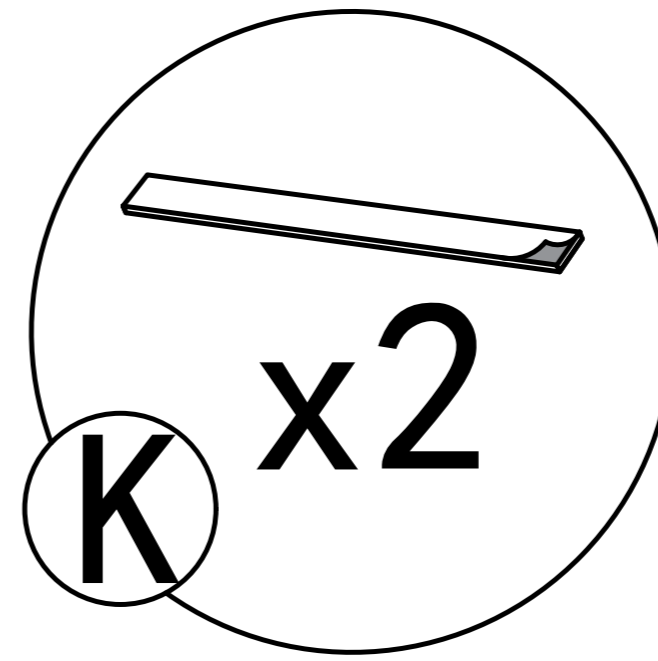
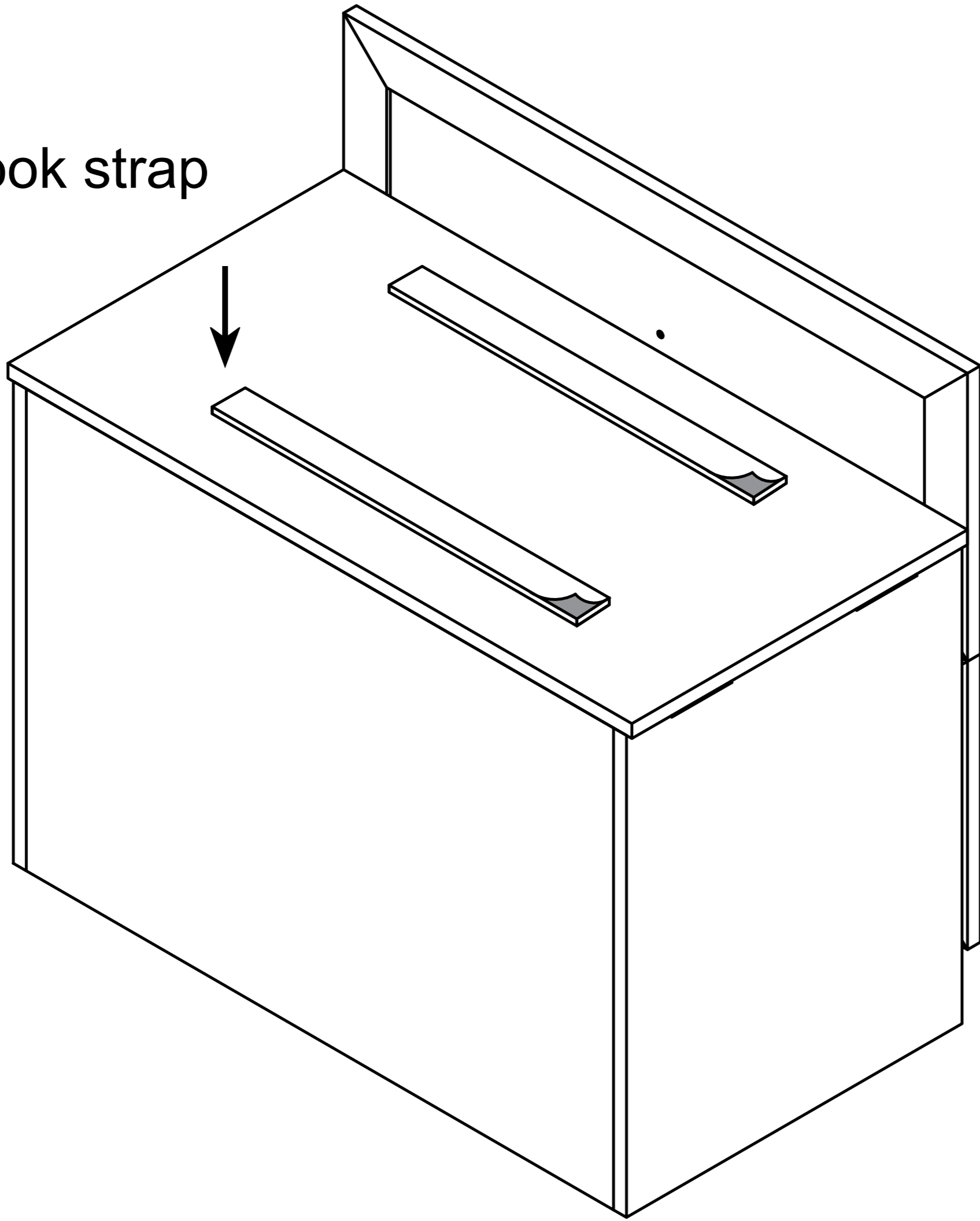
K



Step 31

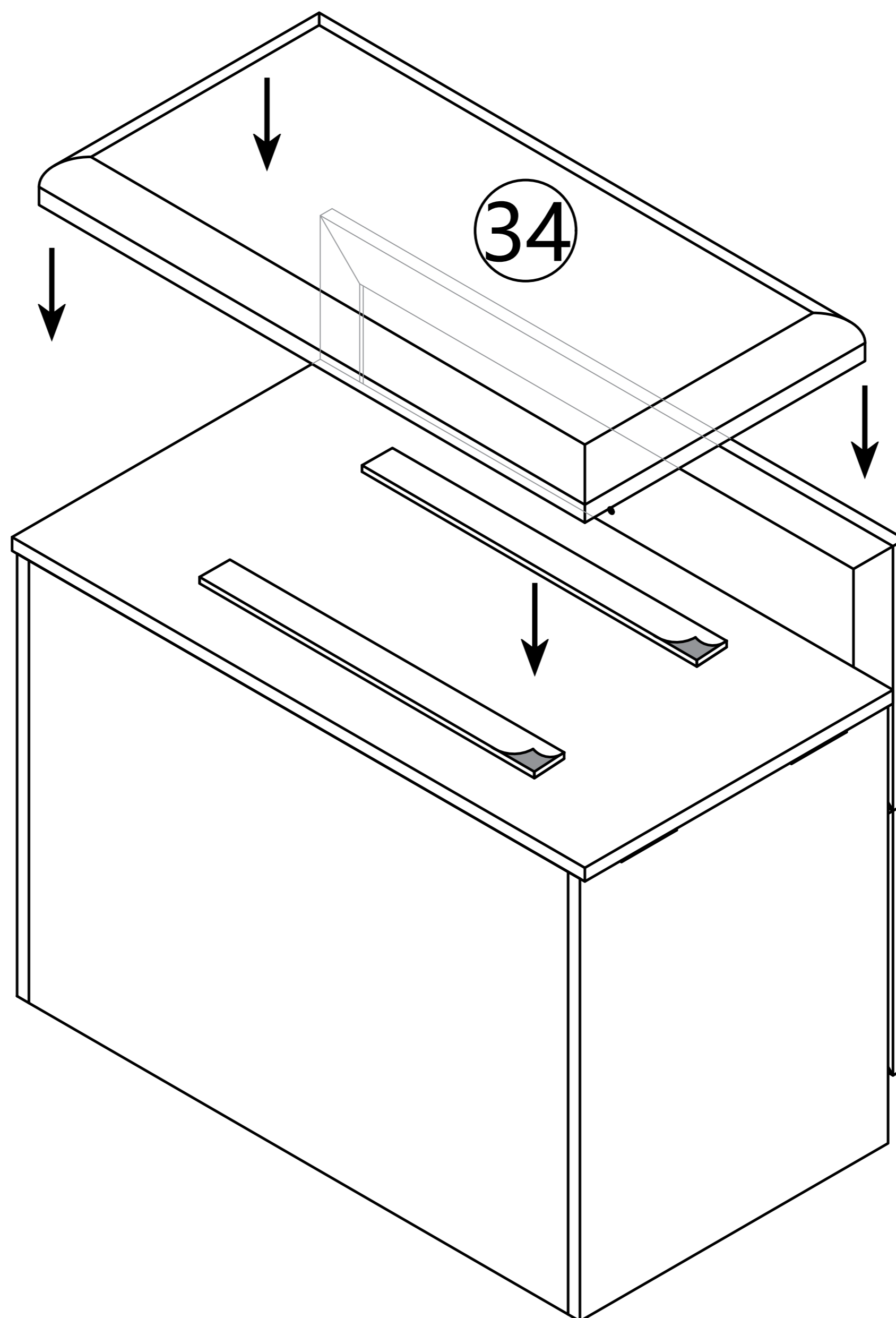
Separate the nylon hook strap and nylon Velvet strap, and attach them to the top of board I and the bottom of board K, respectively

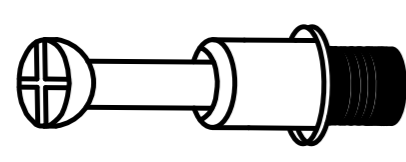


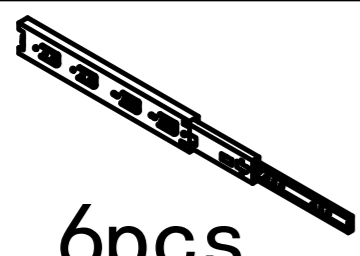
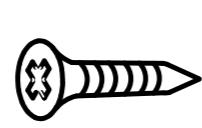
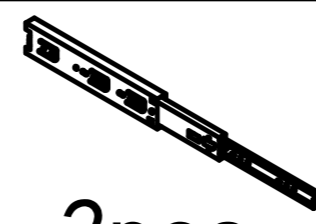

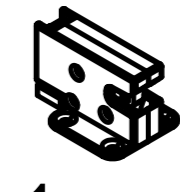
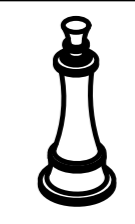
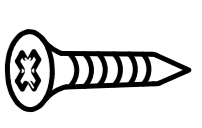

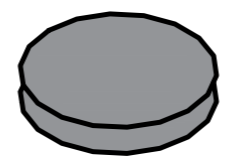
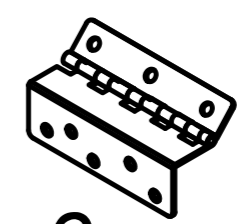
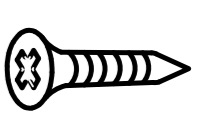
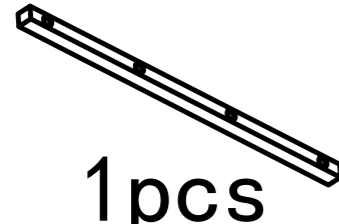

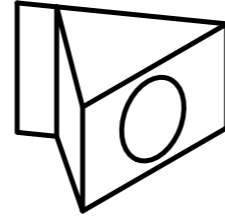
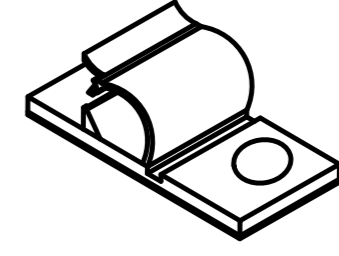
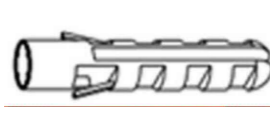

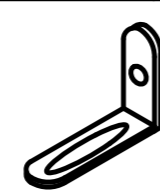


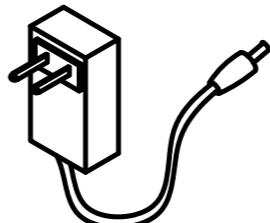
nylon hook strap

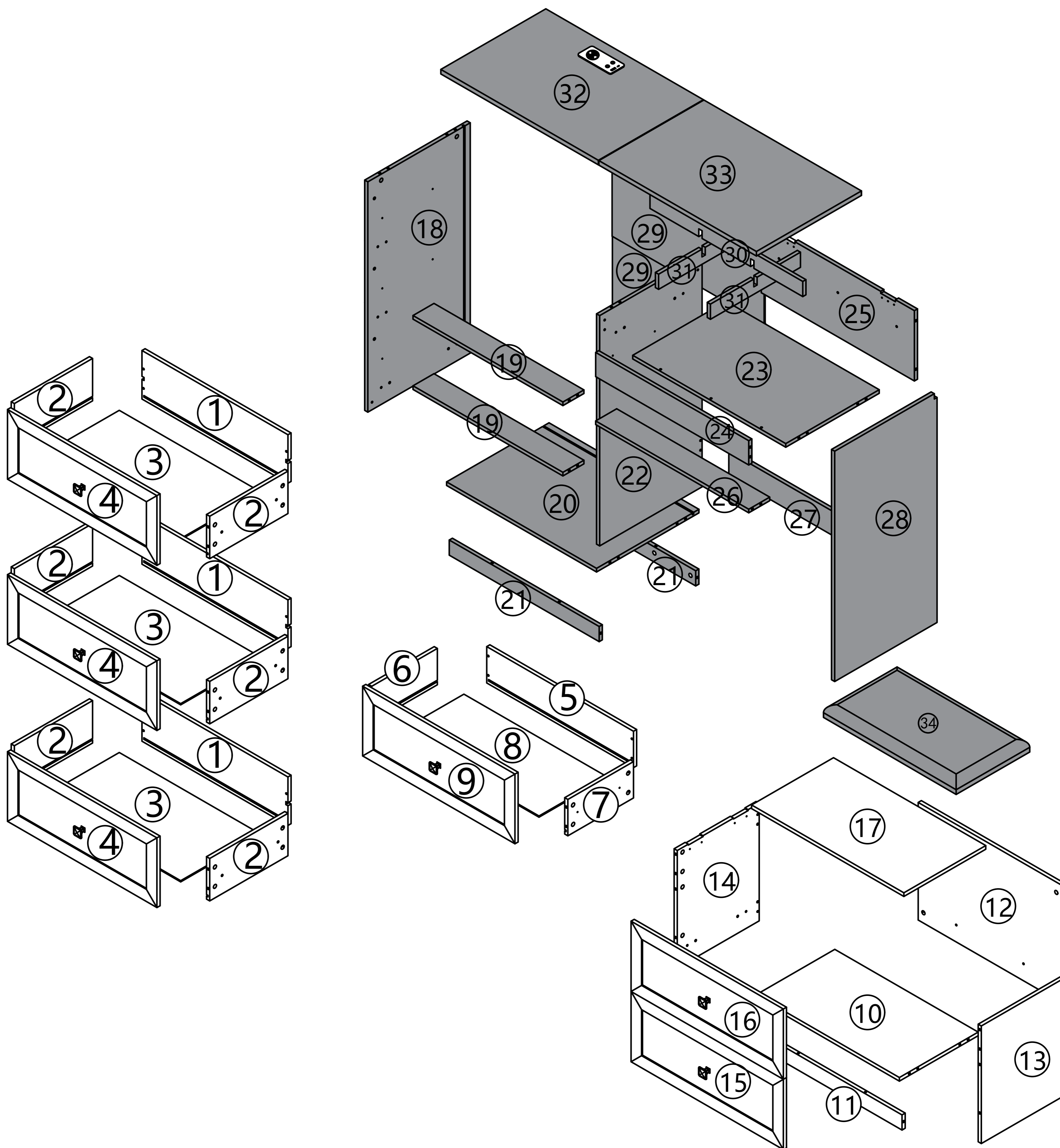


nylon Velvet strap

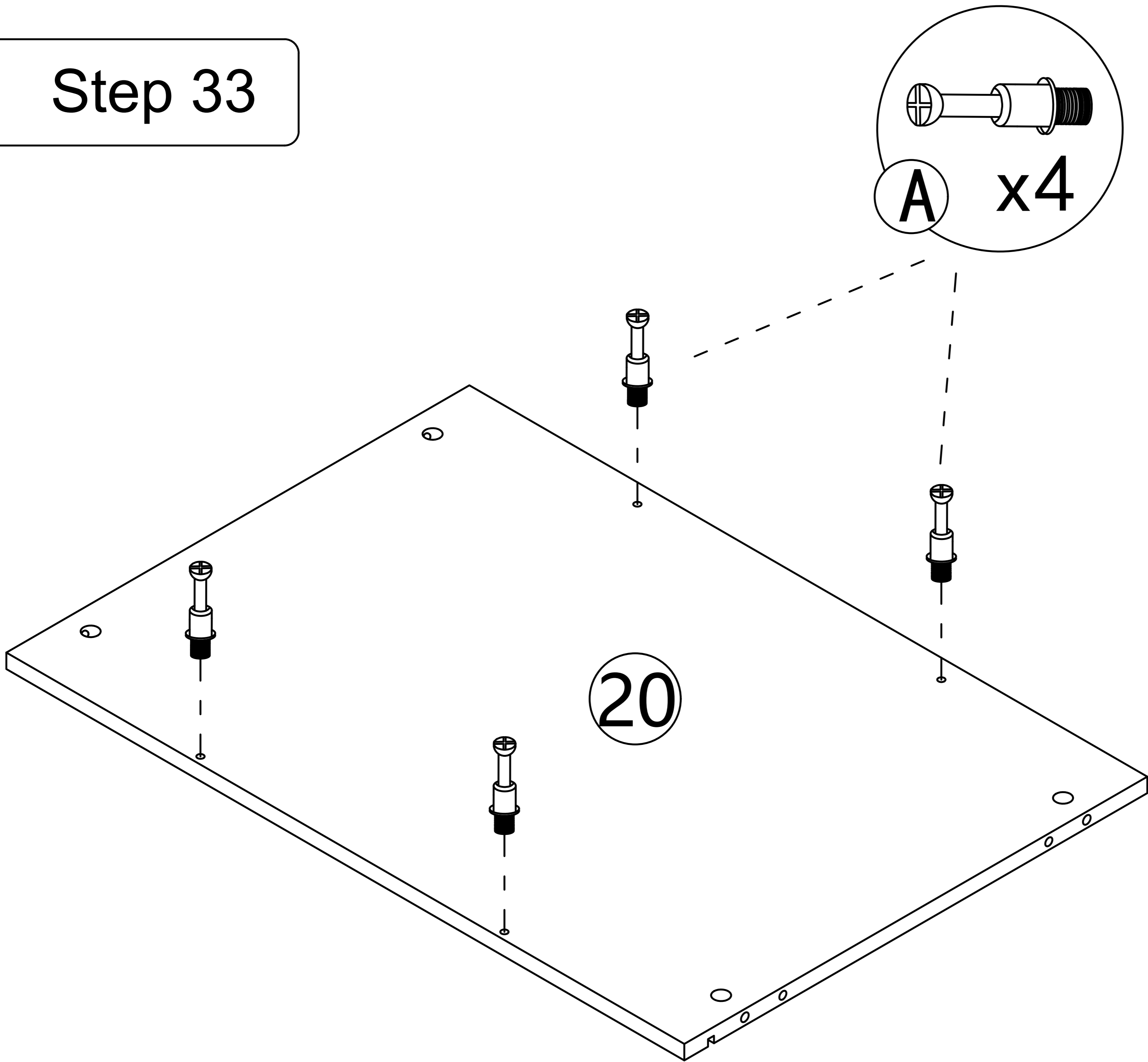
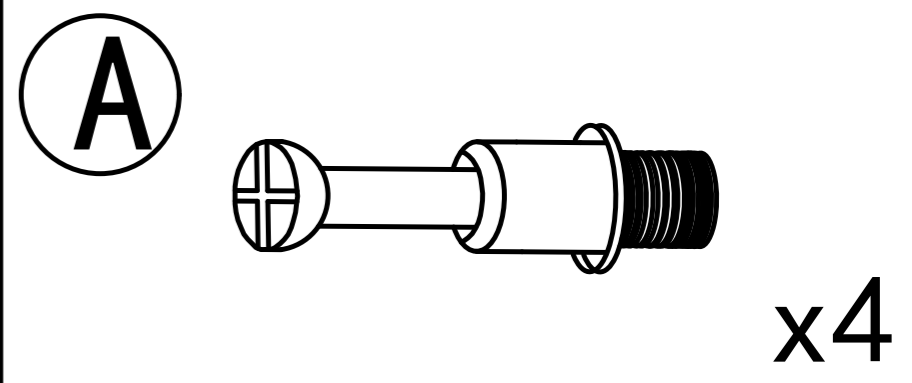
Step 32



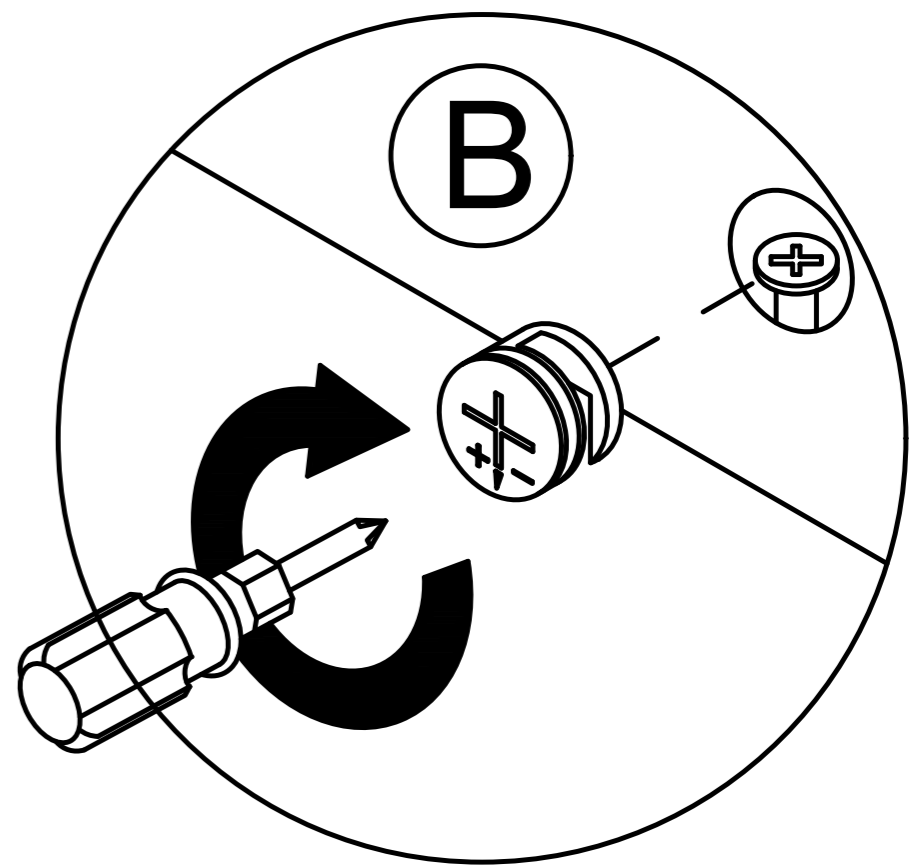
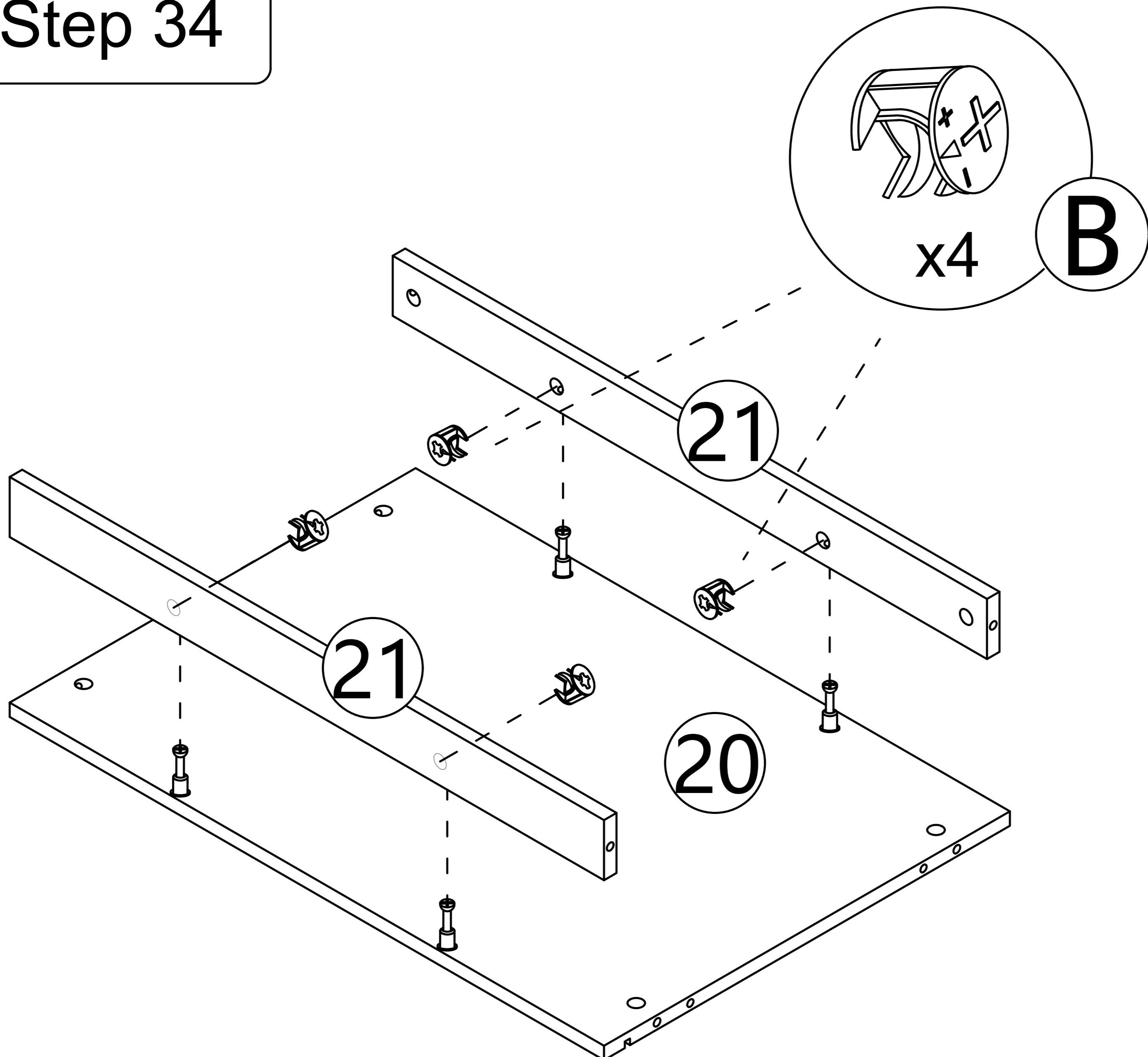
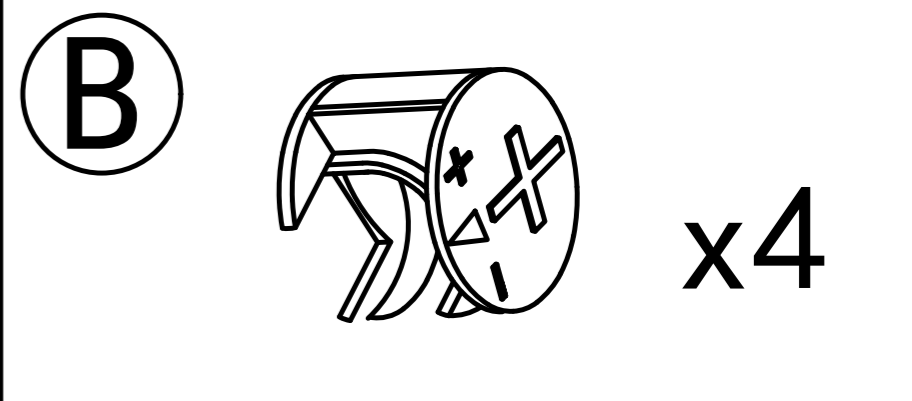
A		50pcs	B		50pcs	C		12pcs	
E	 6pcs	 18pcs	F	 2pcs	 6pcs	G	 1pcs	 1pcs	 4pcs
H	 6pcs	I	 2pcs	J	 2pcs	 16pcs			
L	 1pcs	 4pcs	M	 8pcs	N	 1pcs			
O	 2pcs	 4pcs	 2pcs	 (3.5x14mm) 2pcs	 (4x45mm) 2pcs				



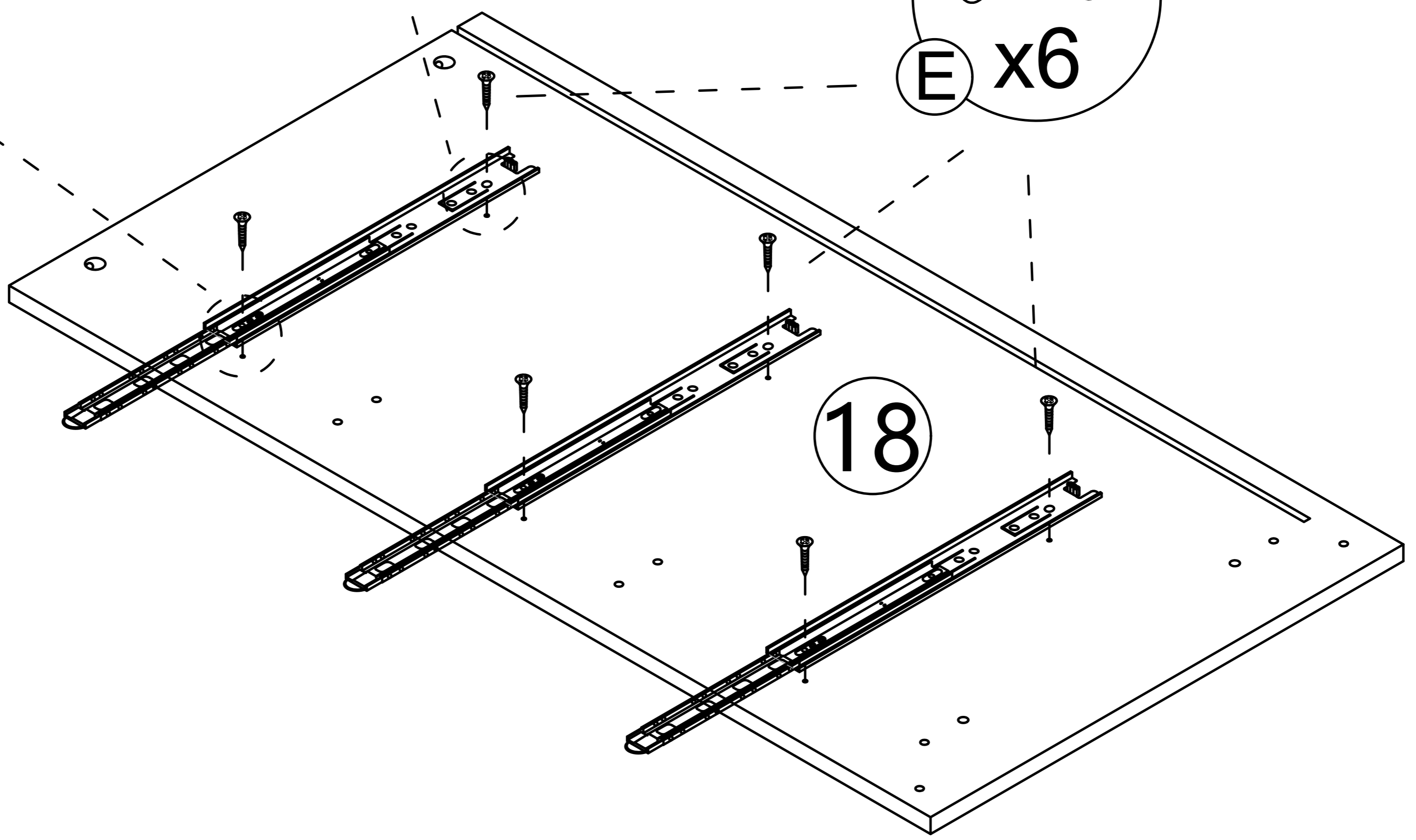
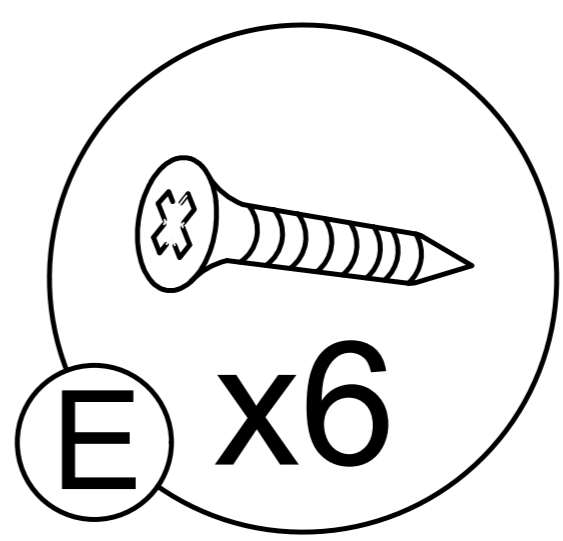
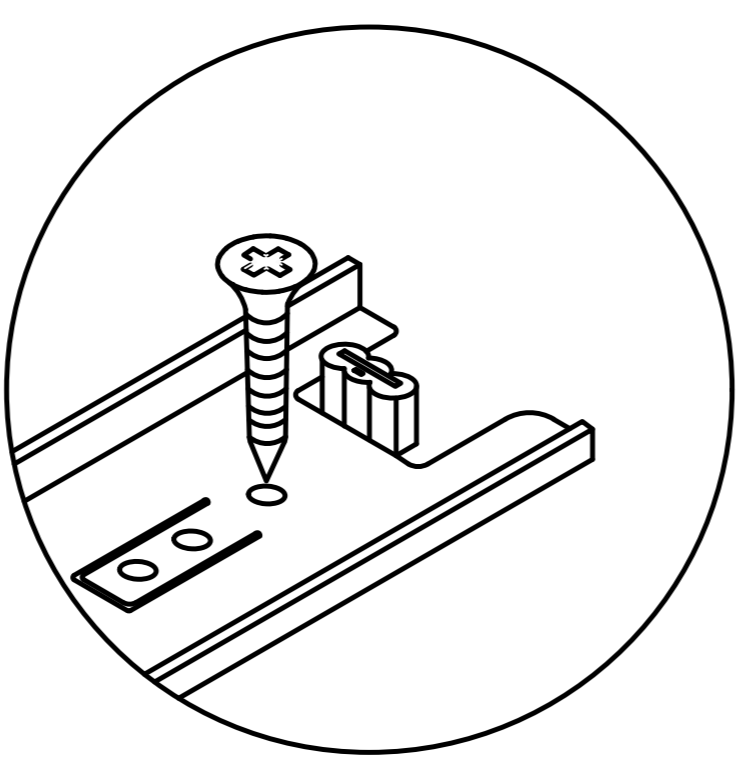
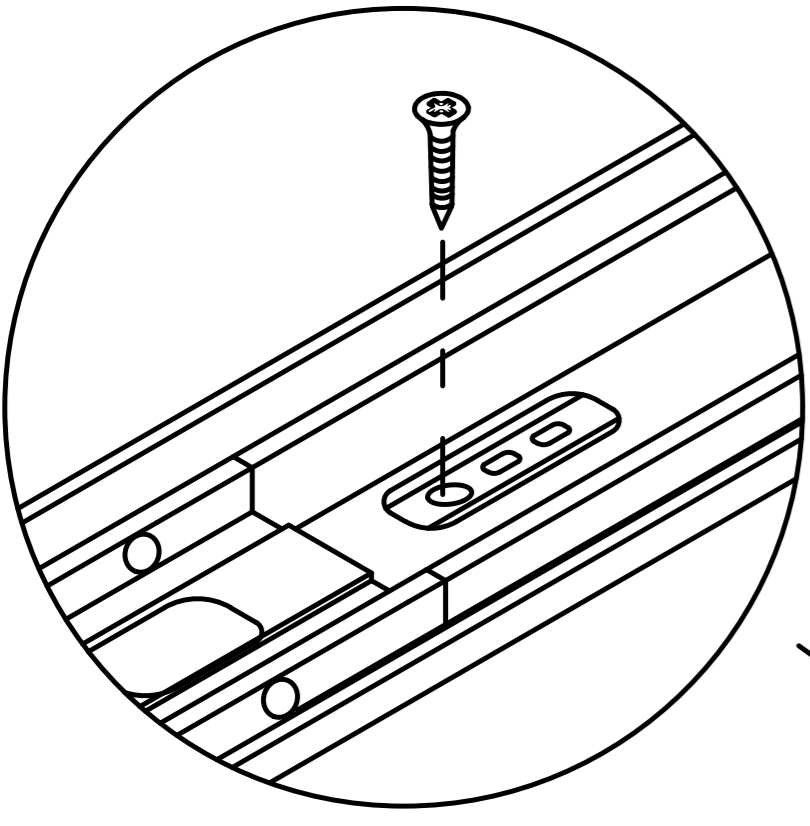
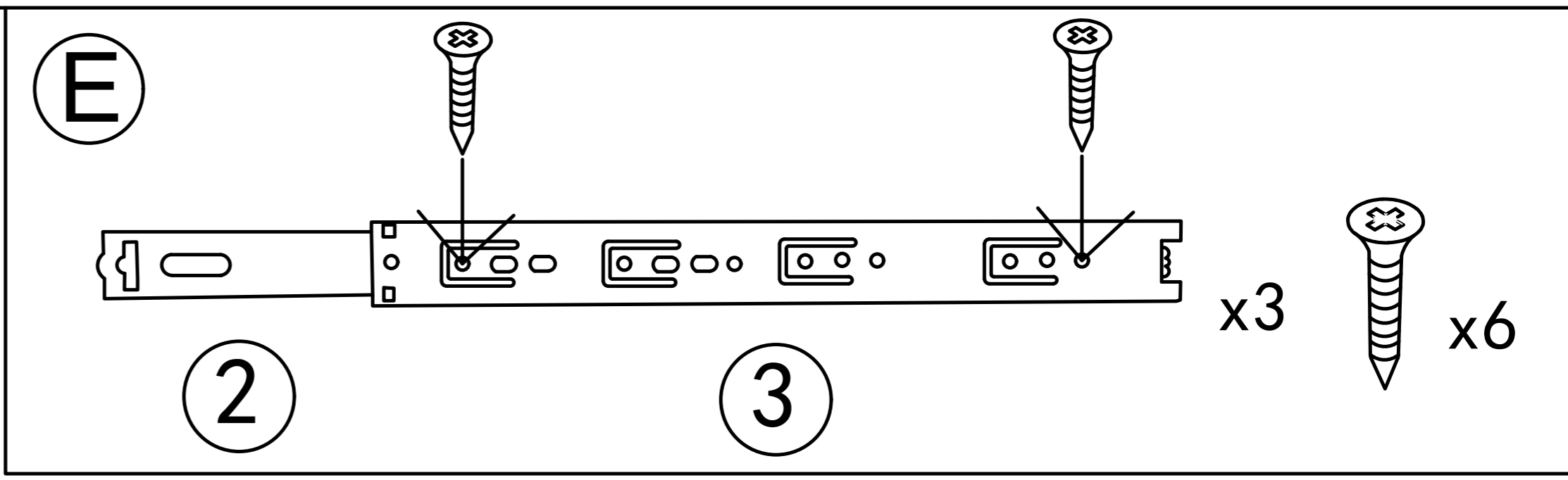
Step 33



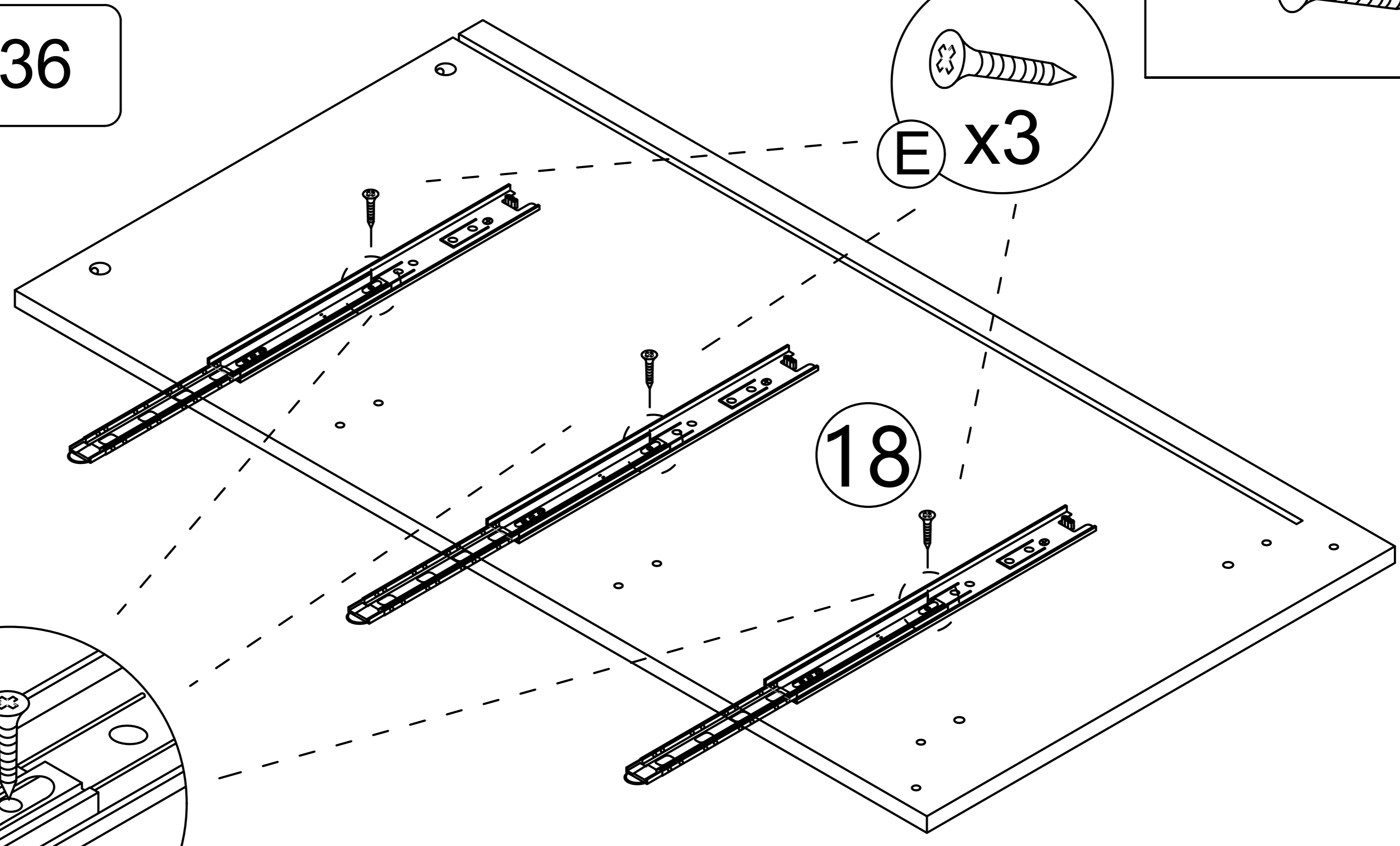
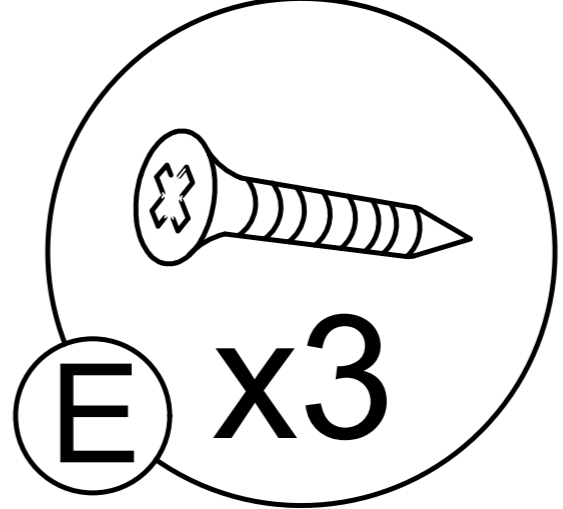
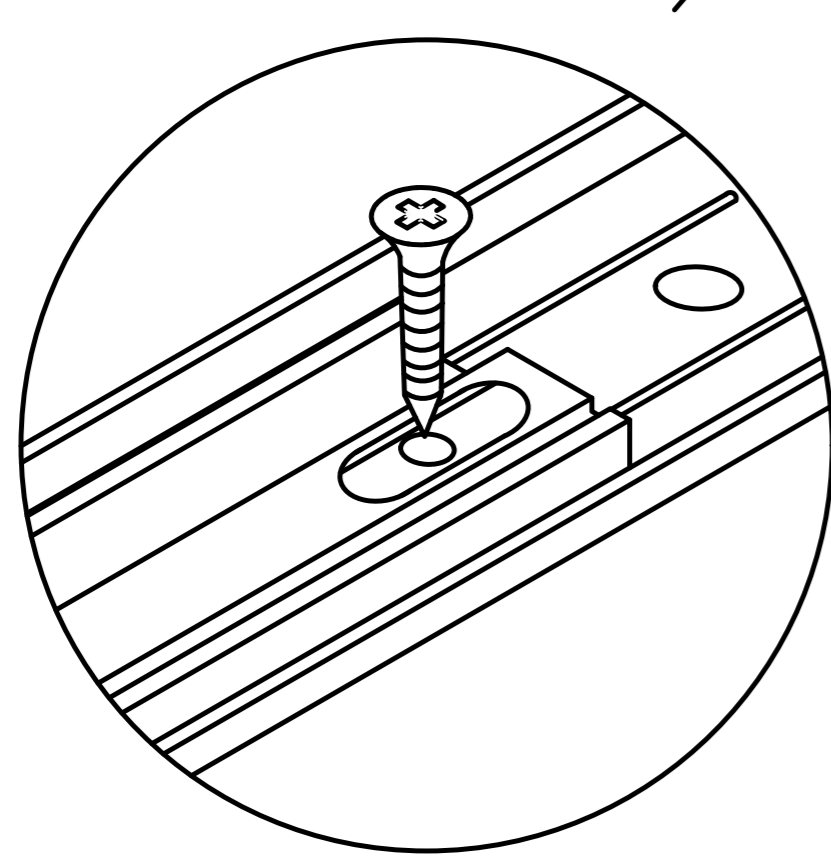
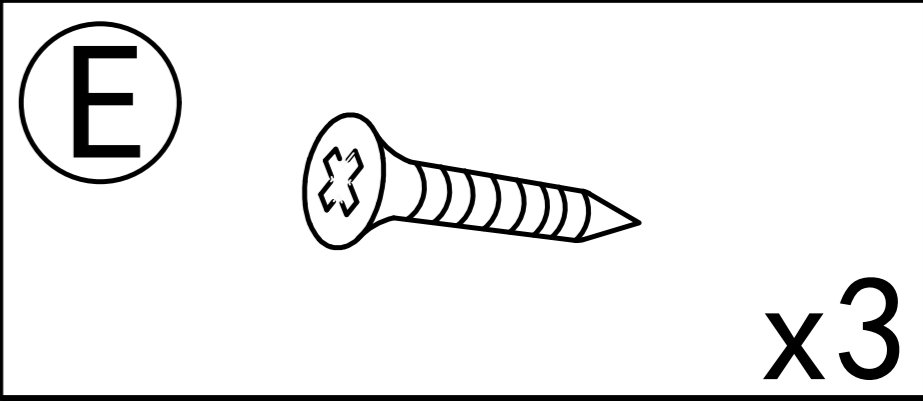
Step 34



Step 35

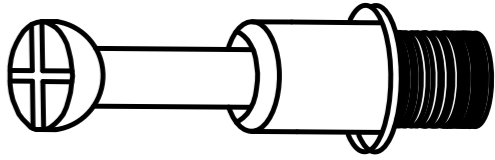
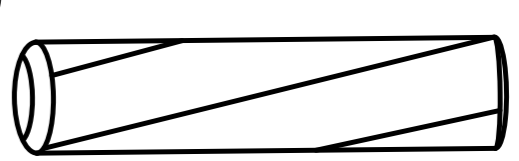


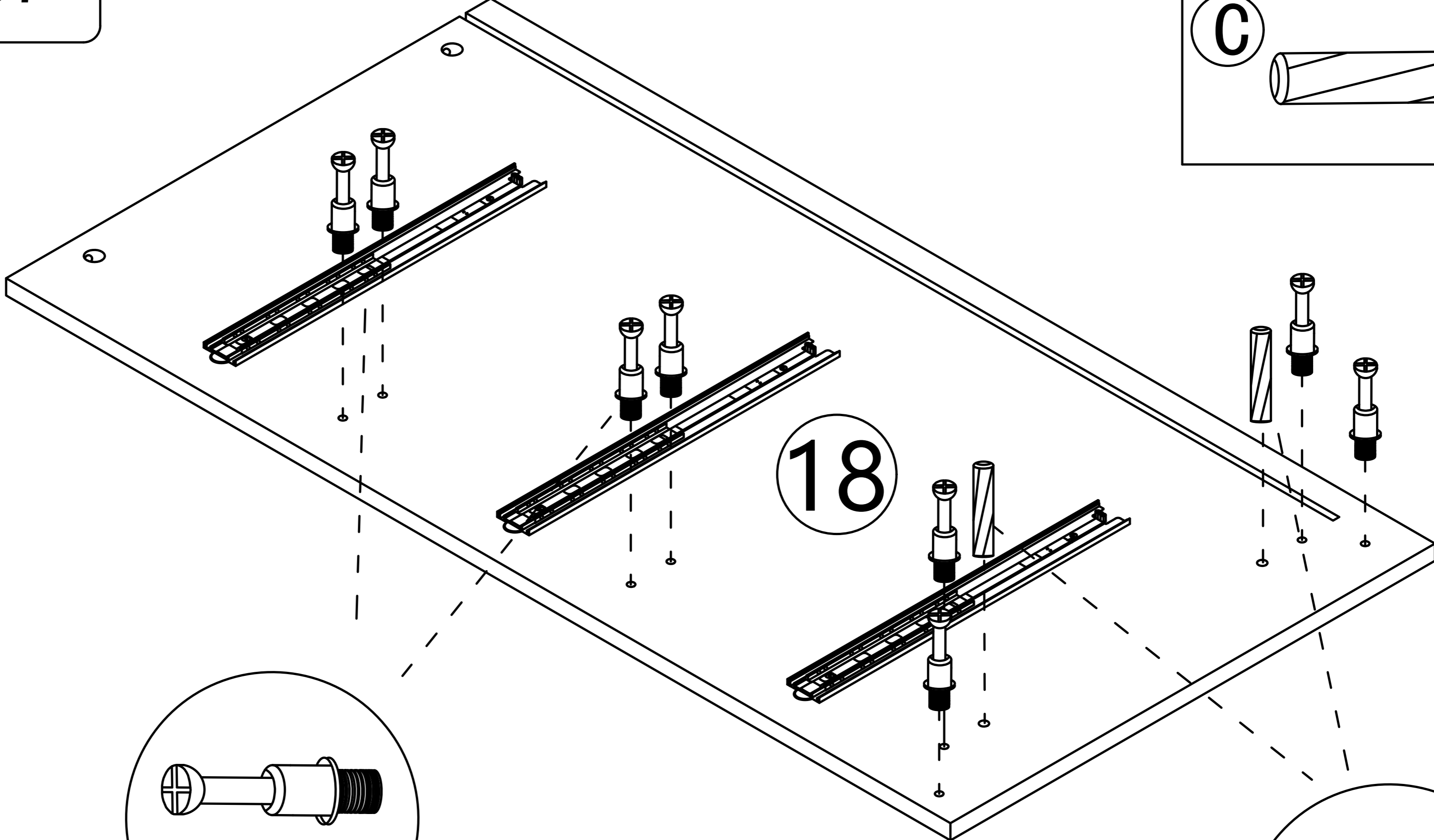
Step 36

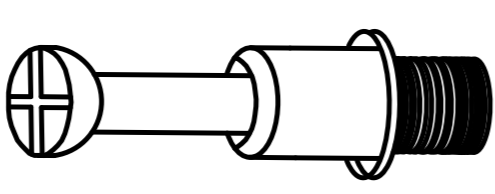


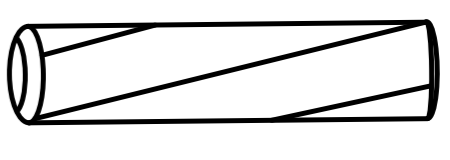
This hole is for strengthening fixed hole customers can choose to install according to their needs.

Step 37

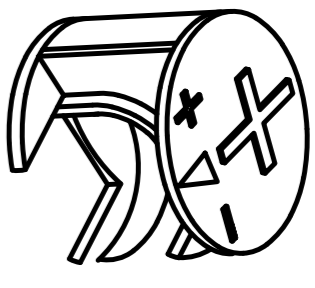
- A  x8
- C  x2

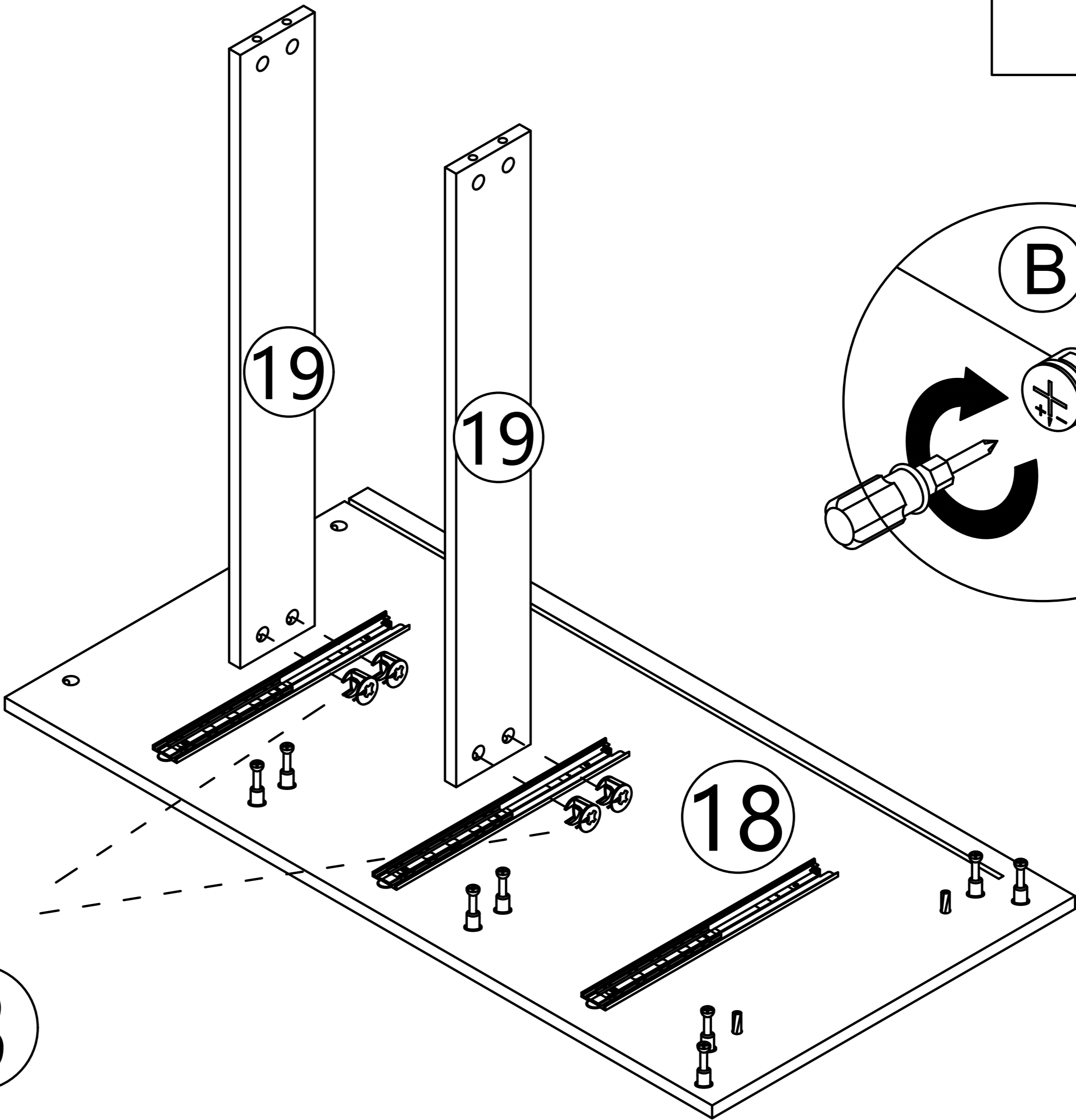


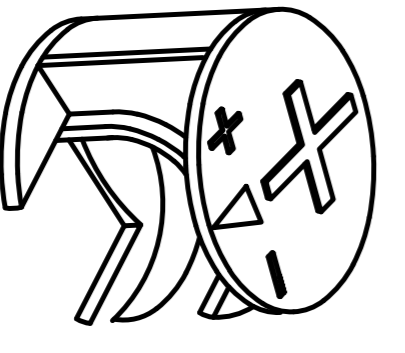
- A  x8

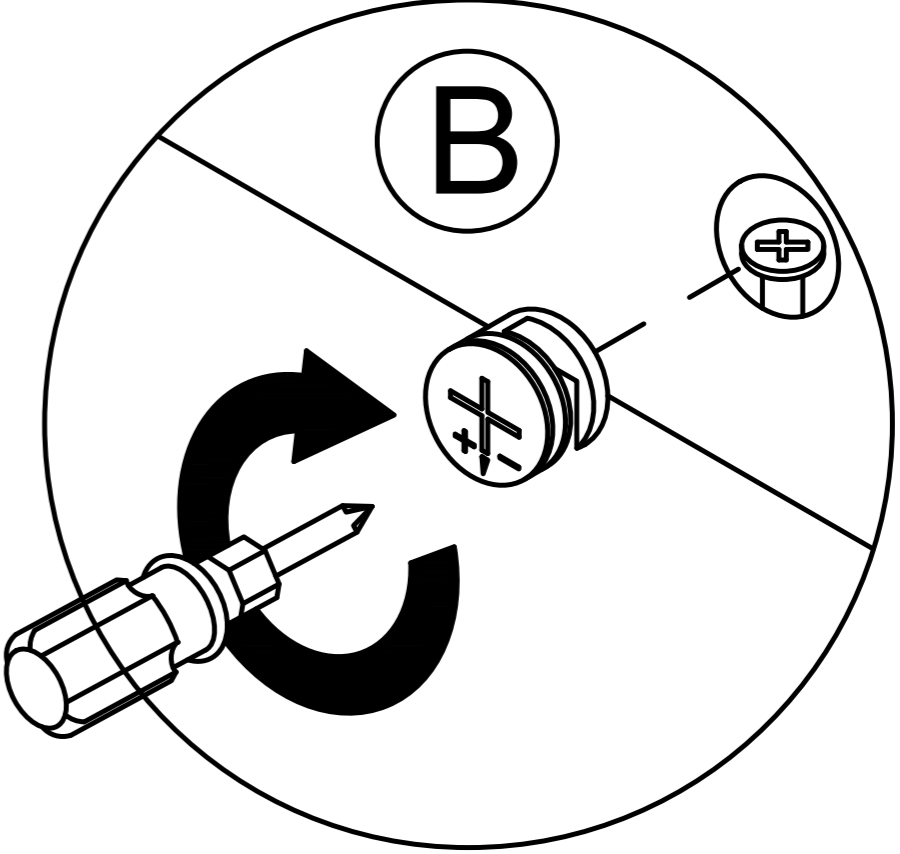
- C  x2

Step 38

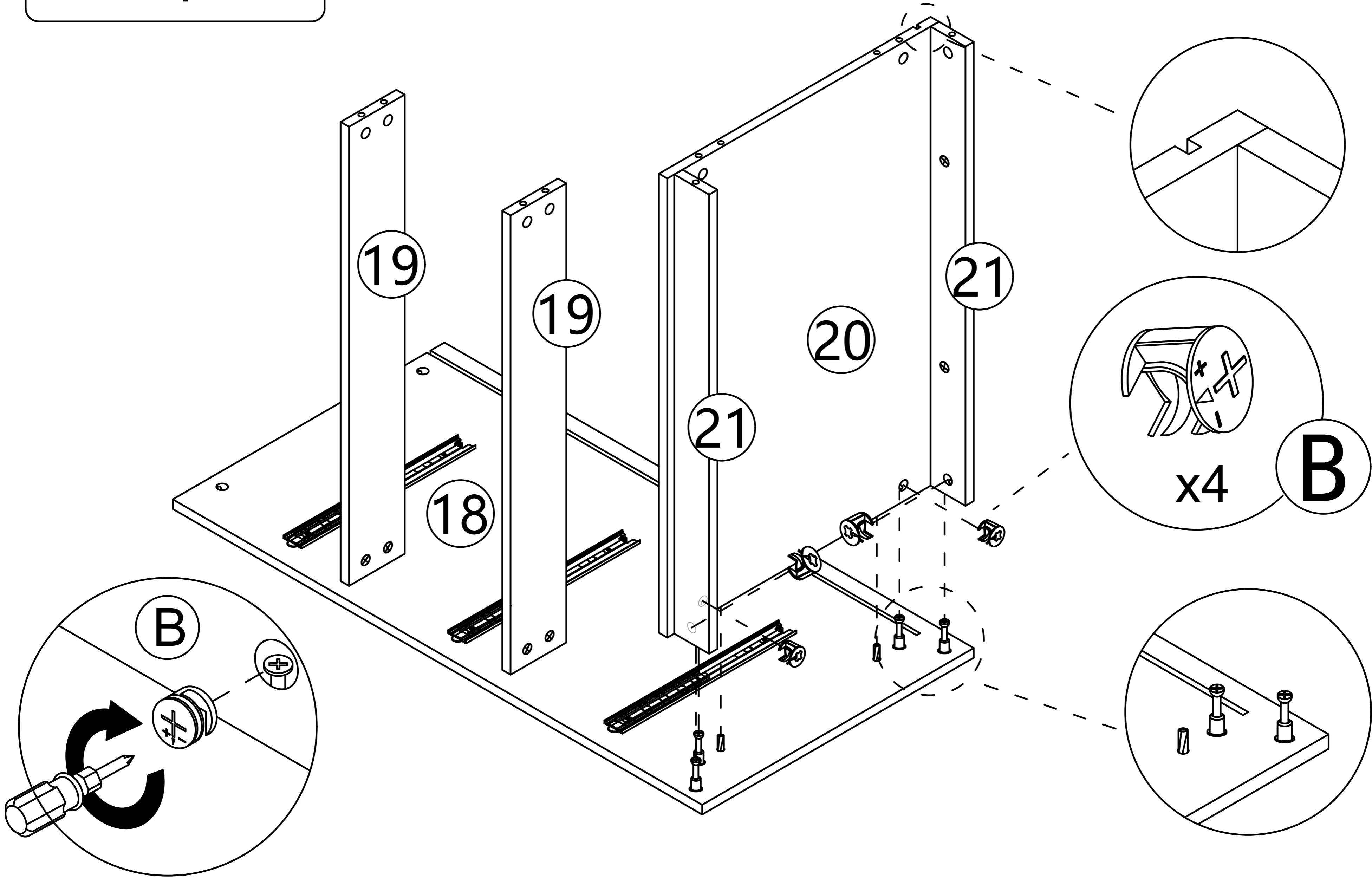
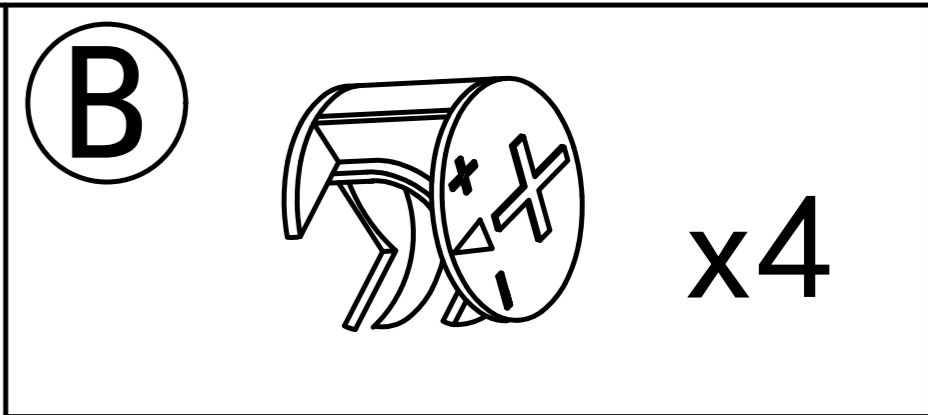
- B  x4



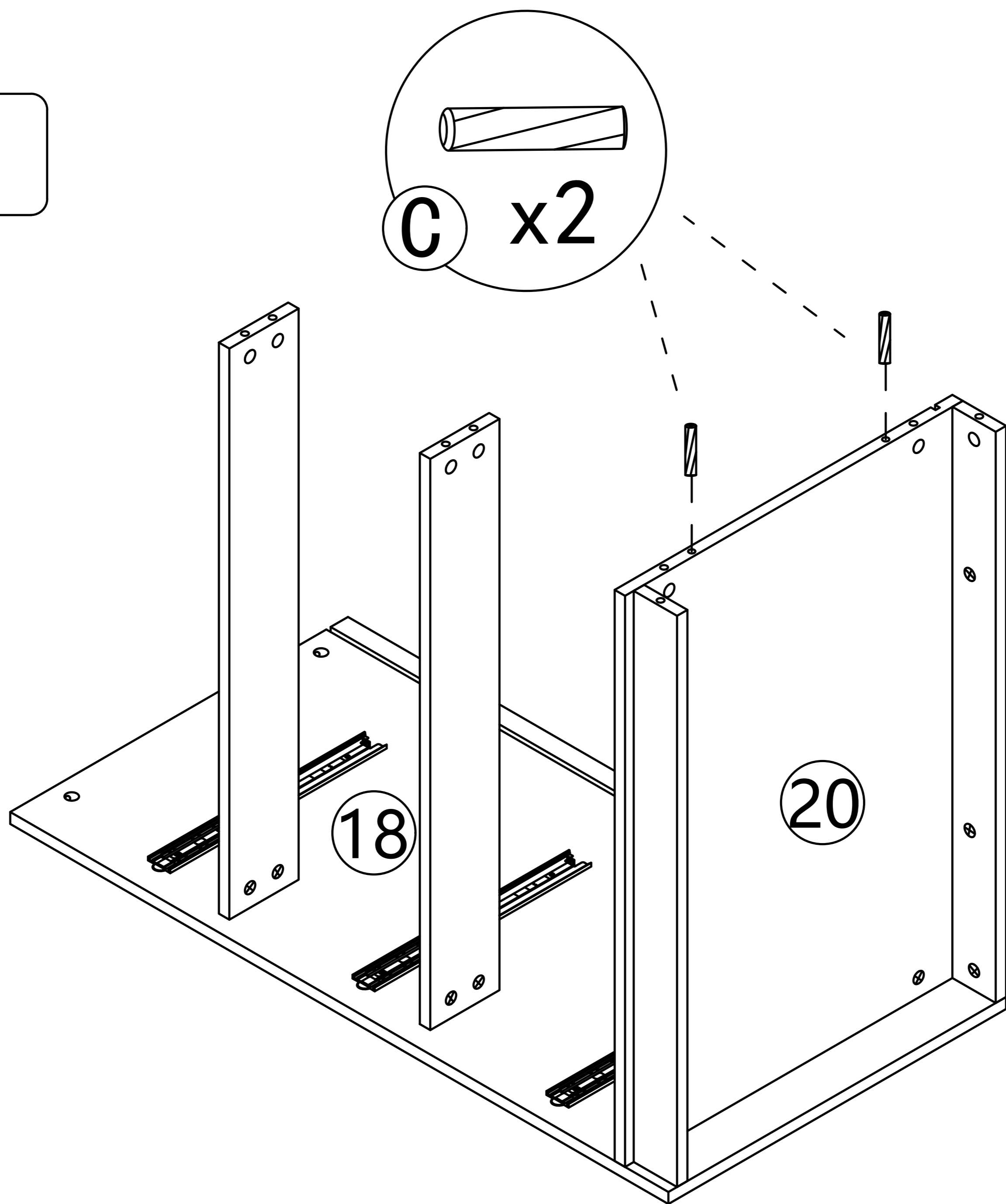
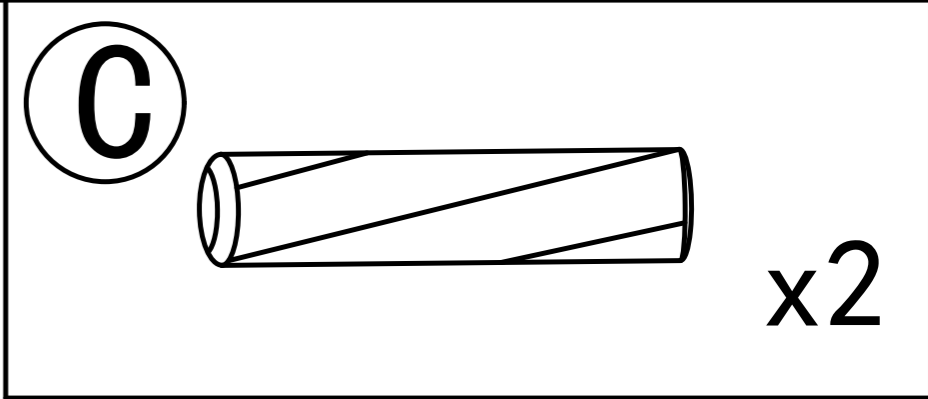
- B  x4



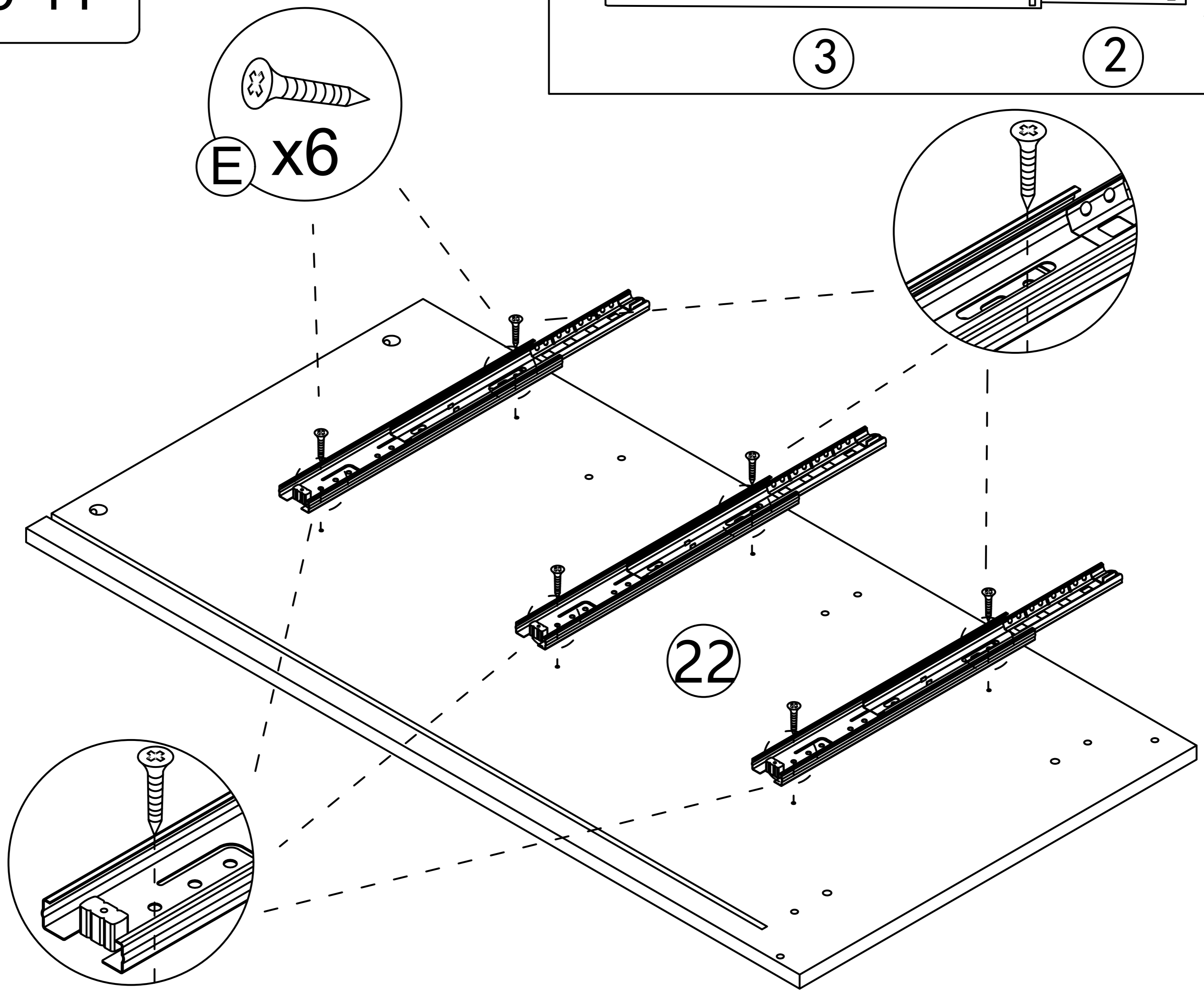
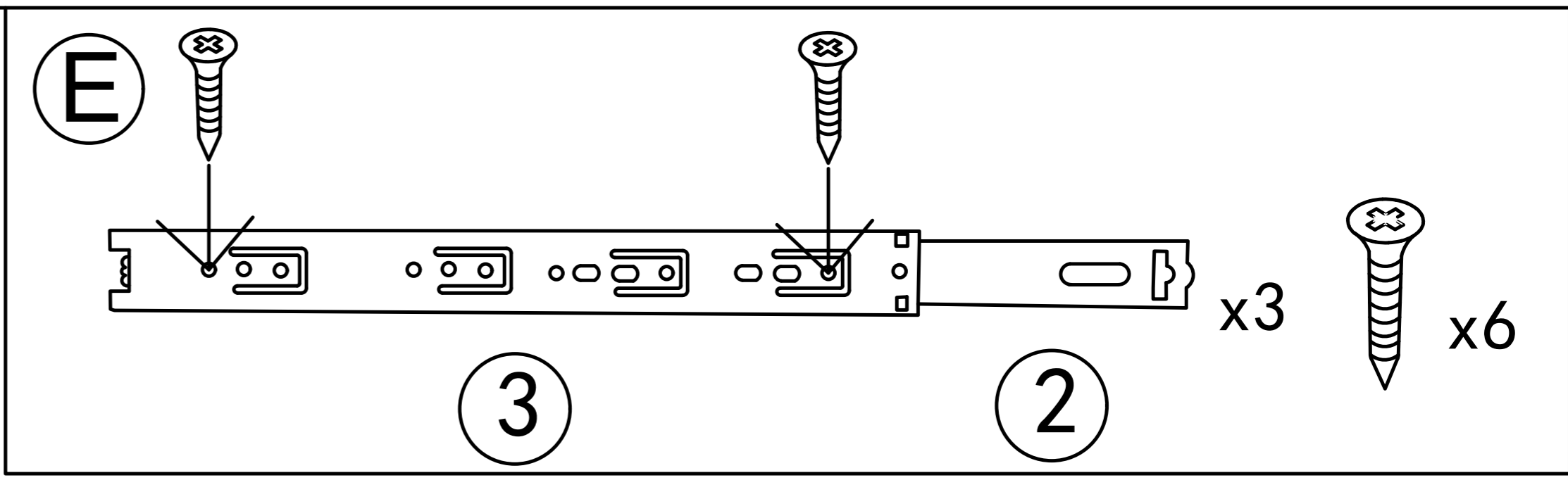
Step 39



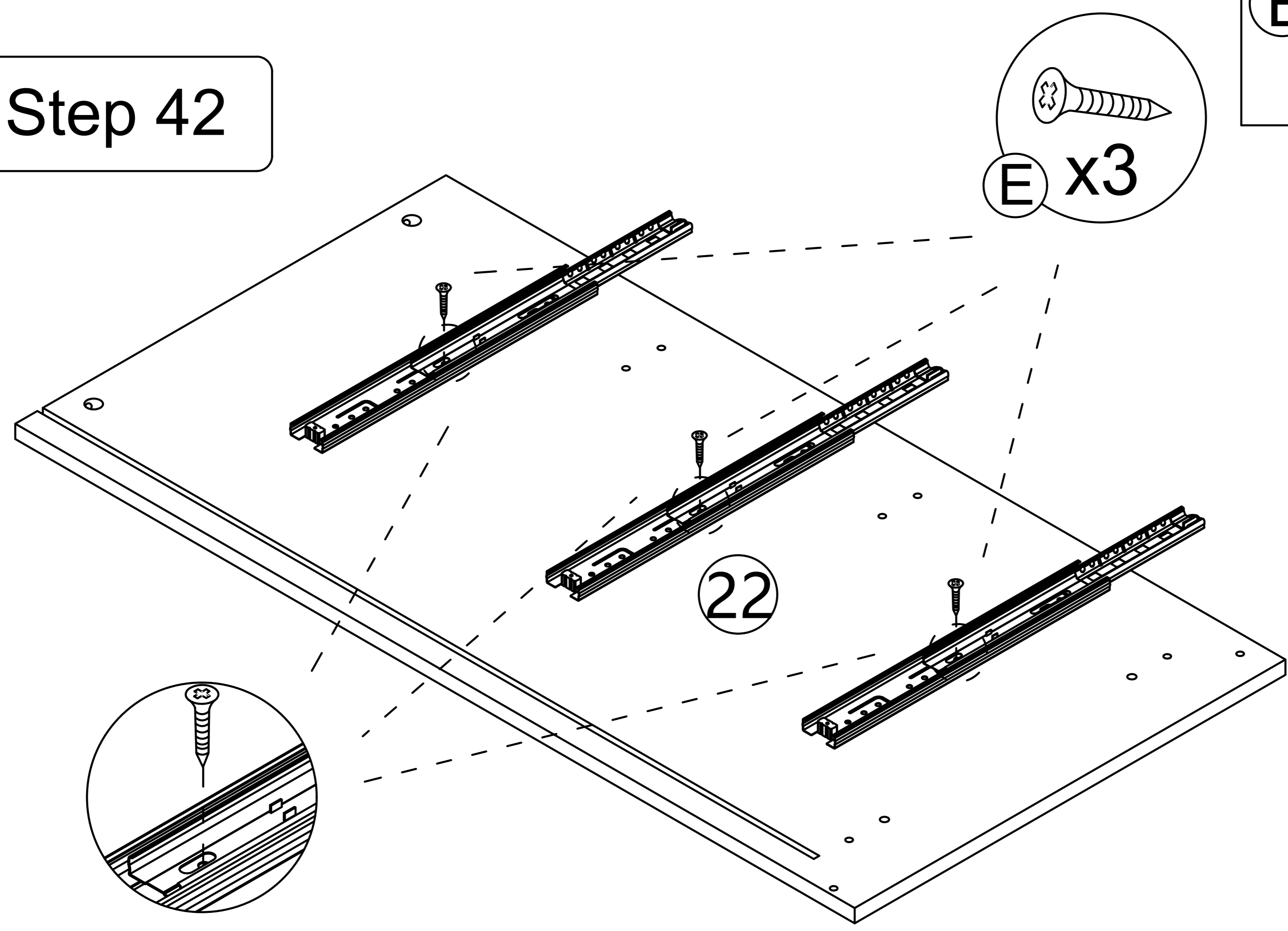
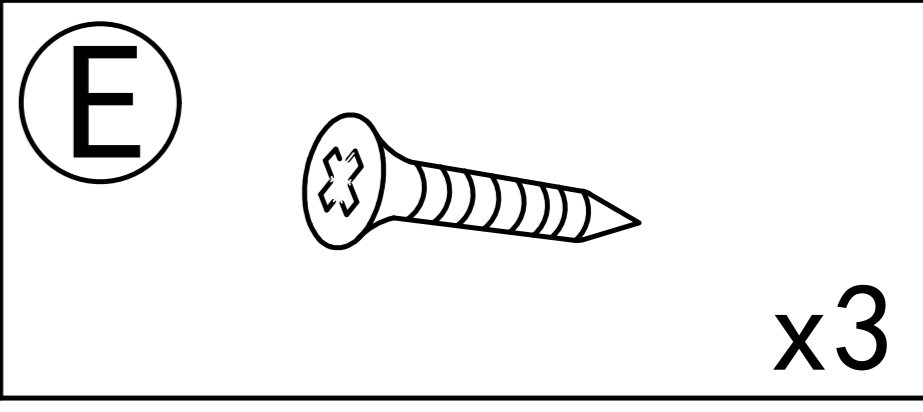
Step 40



Step 41

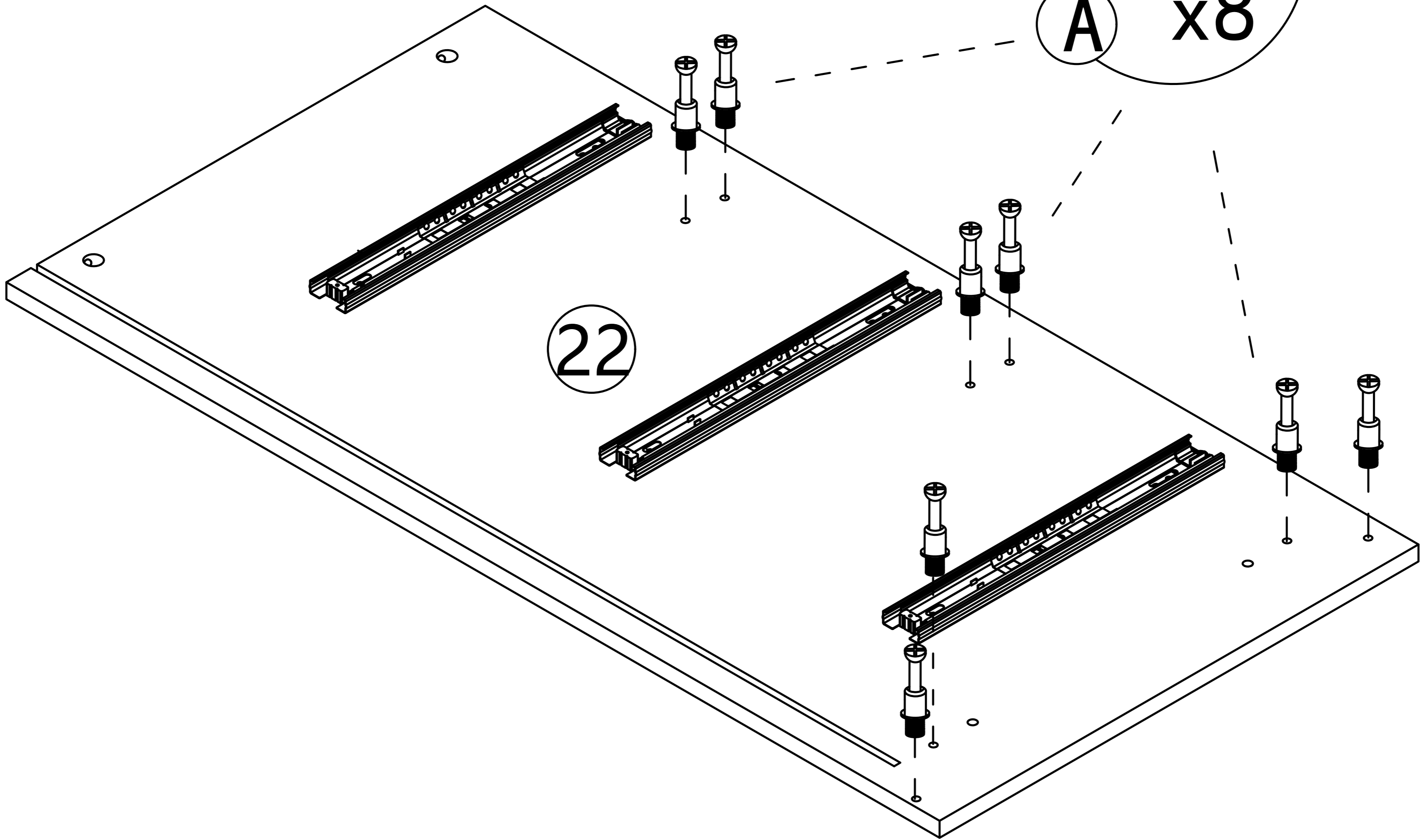
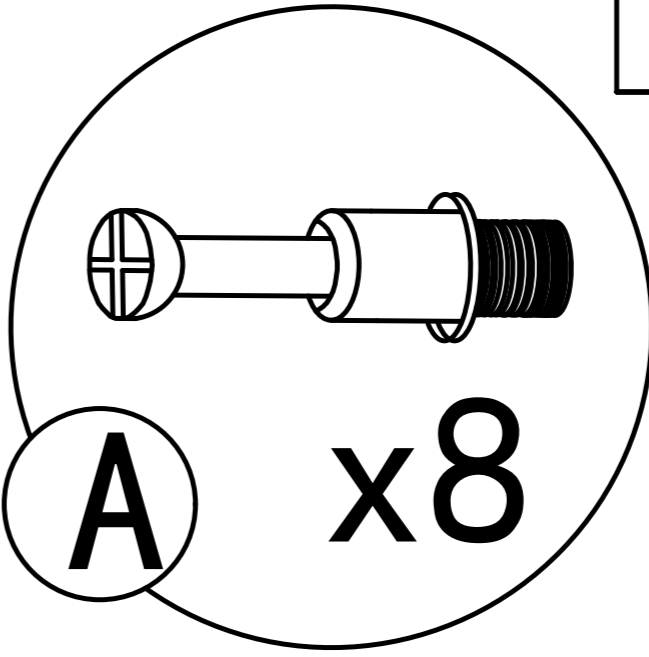
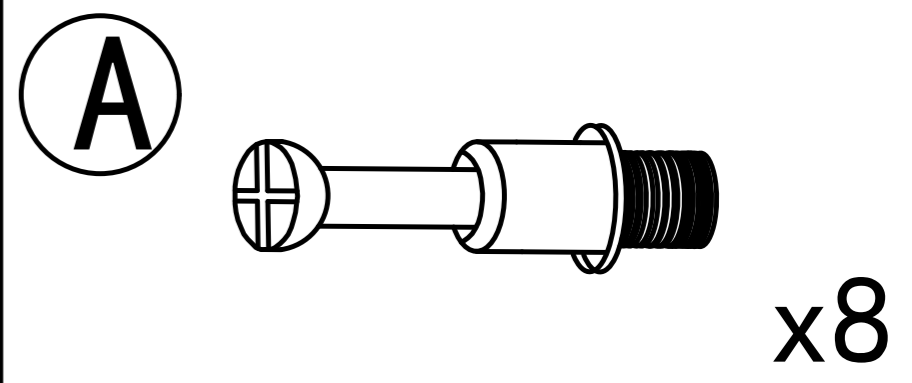


Step 42

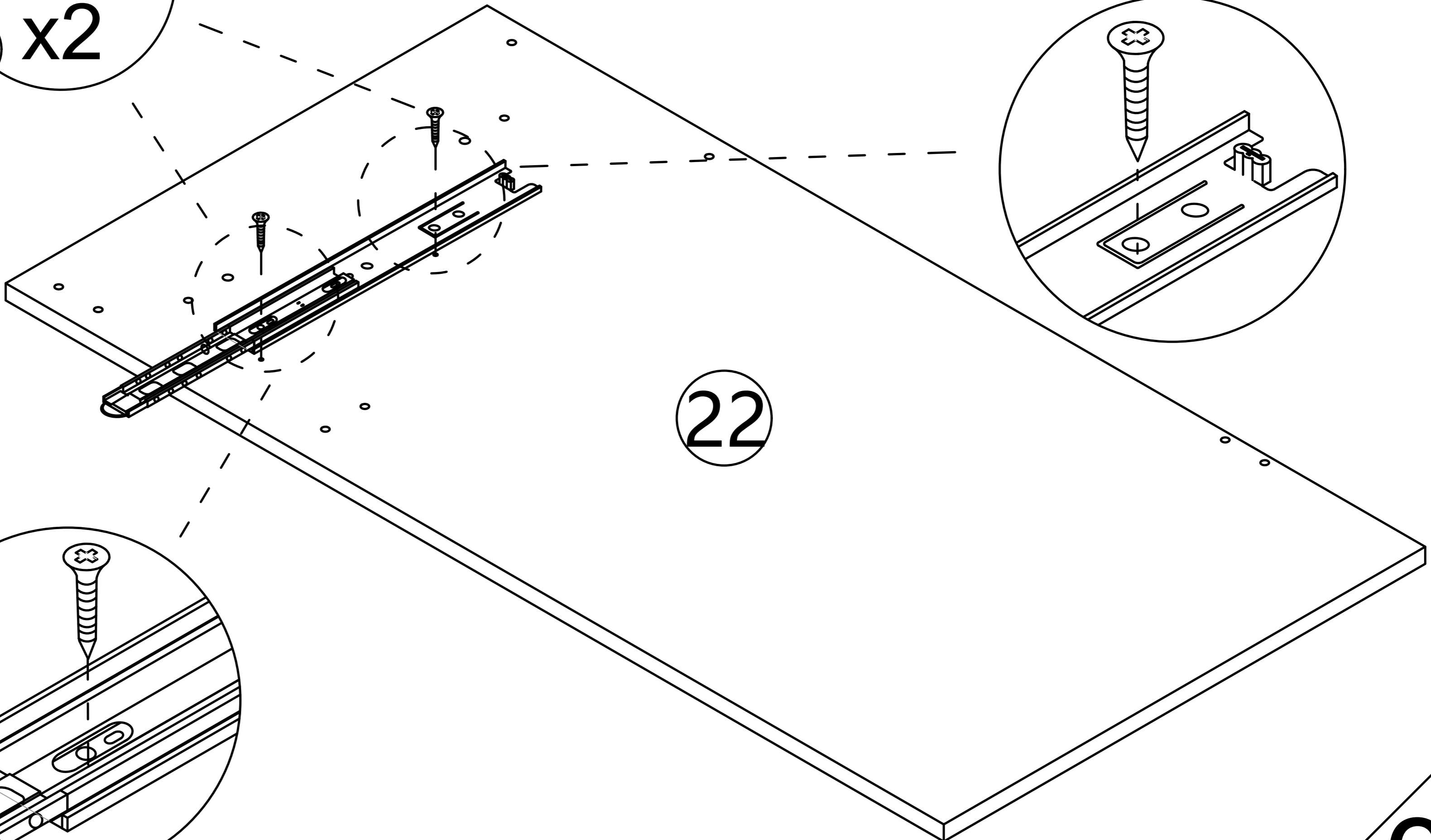
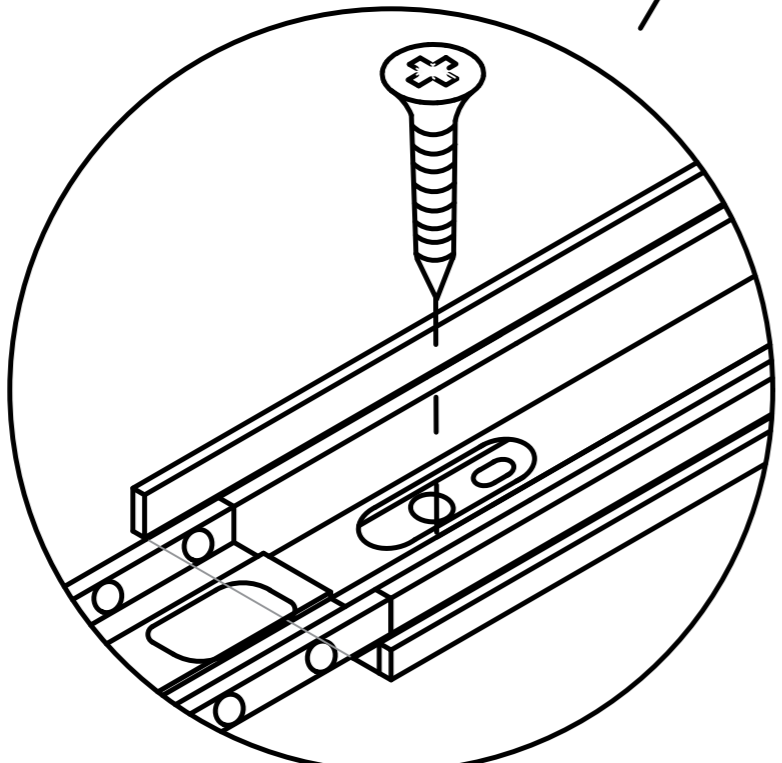
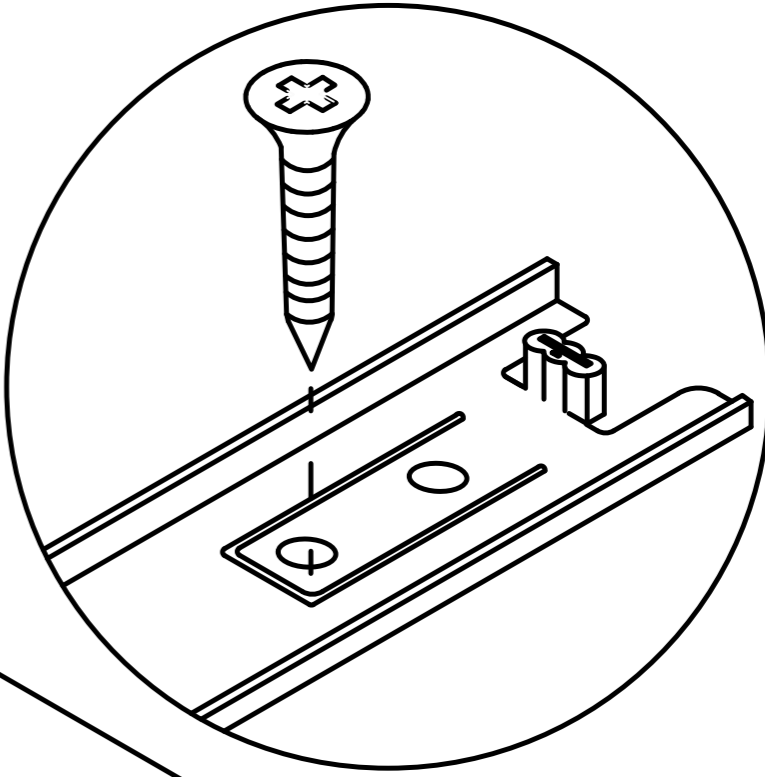
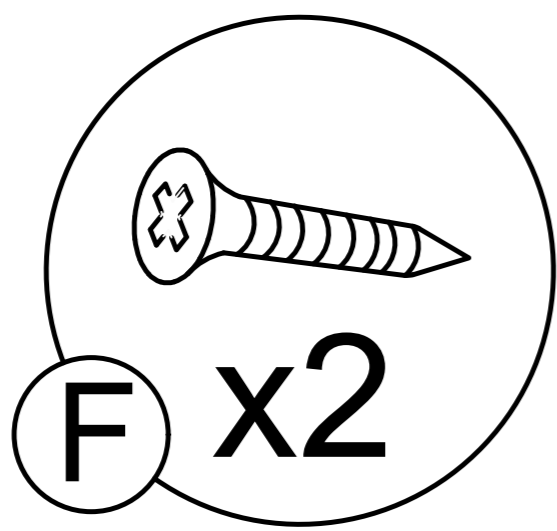
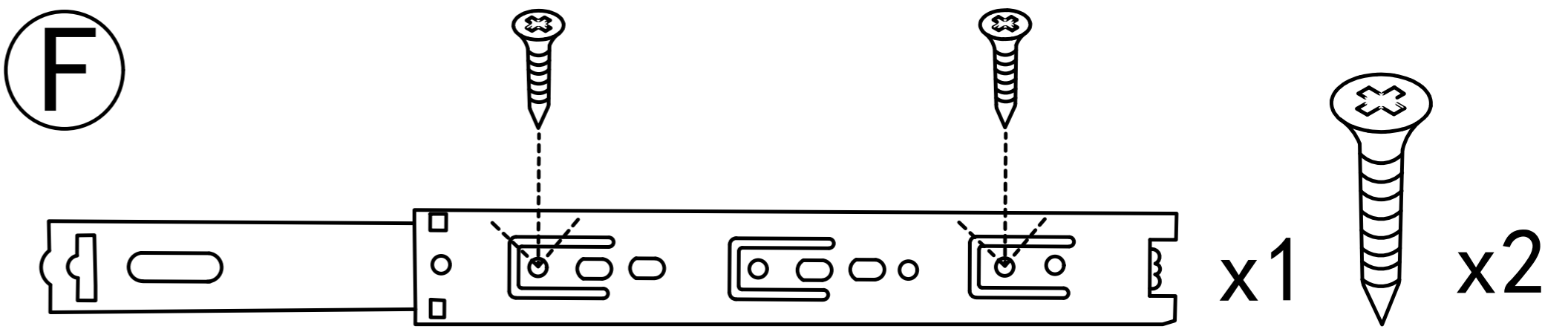


This hole is for strengthening fixed hole customers can choose to install according to their needs.

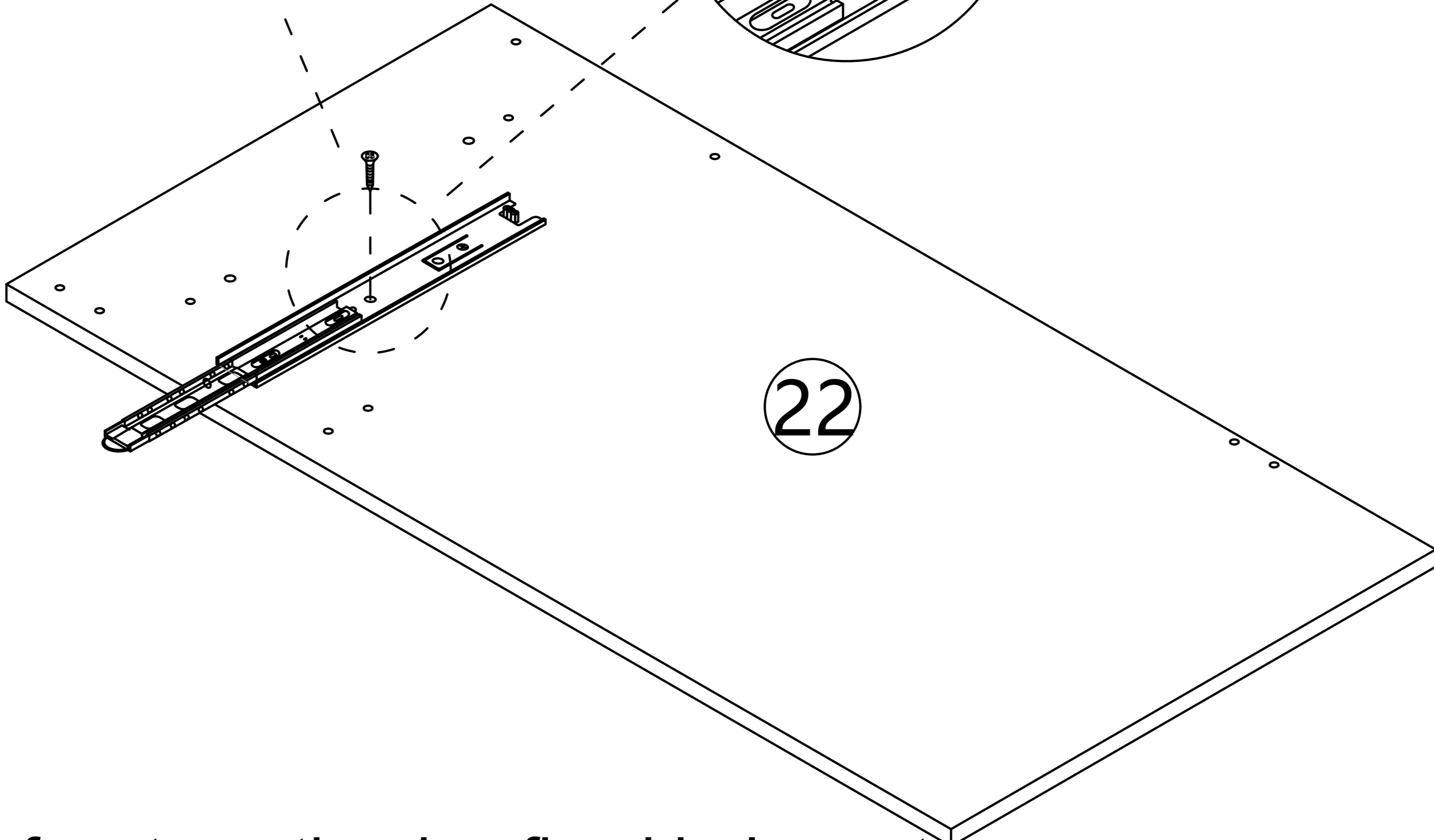
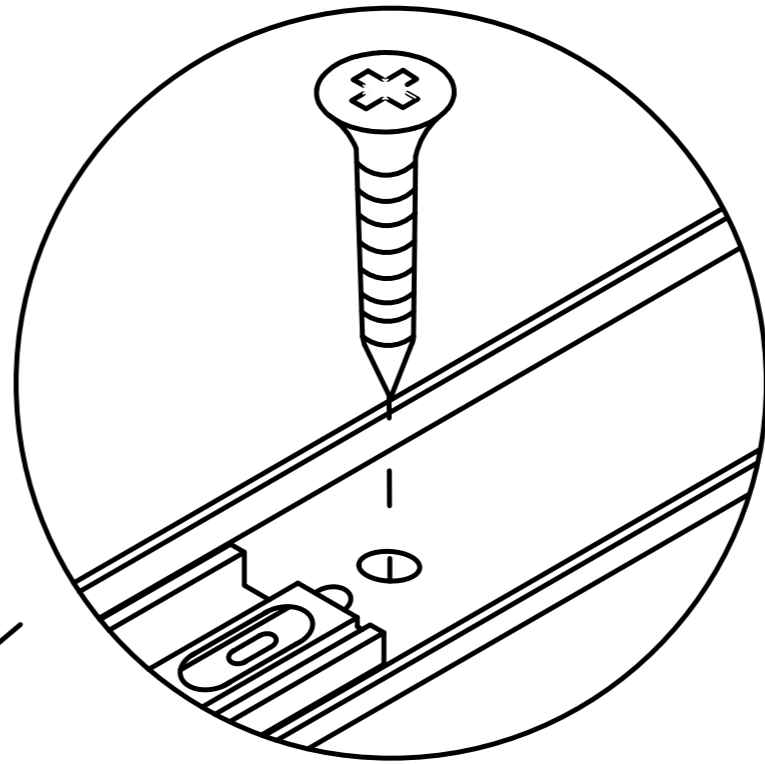
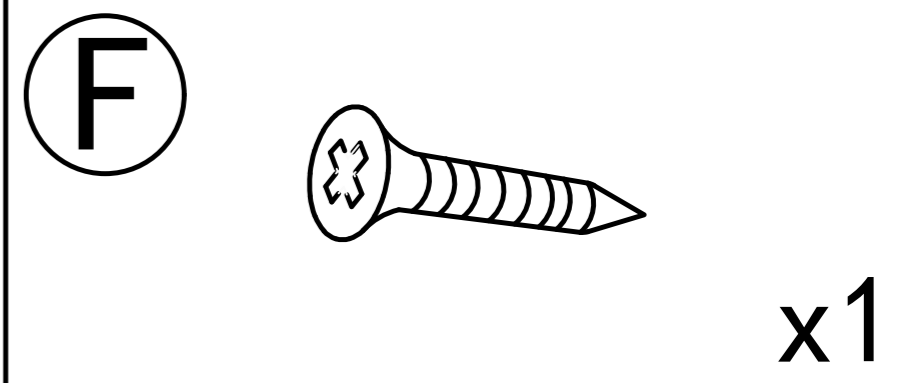
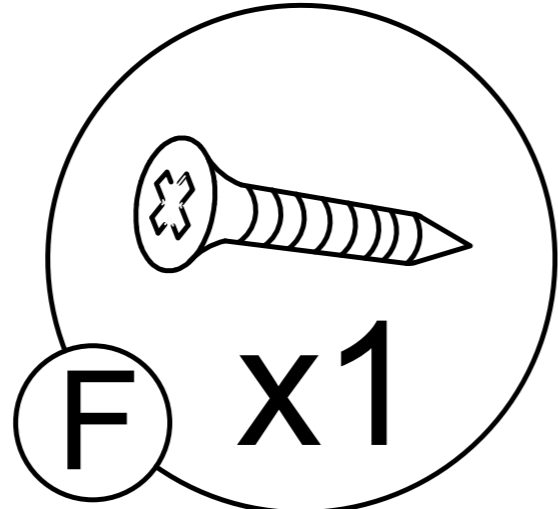
Step 43



Step 44

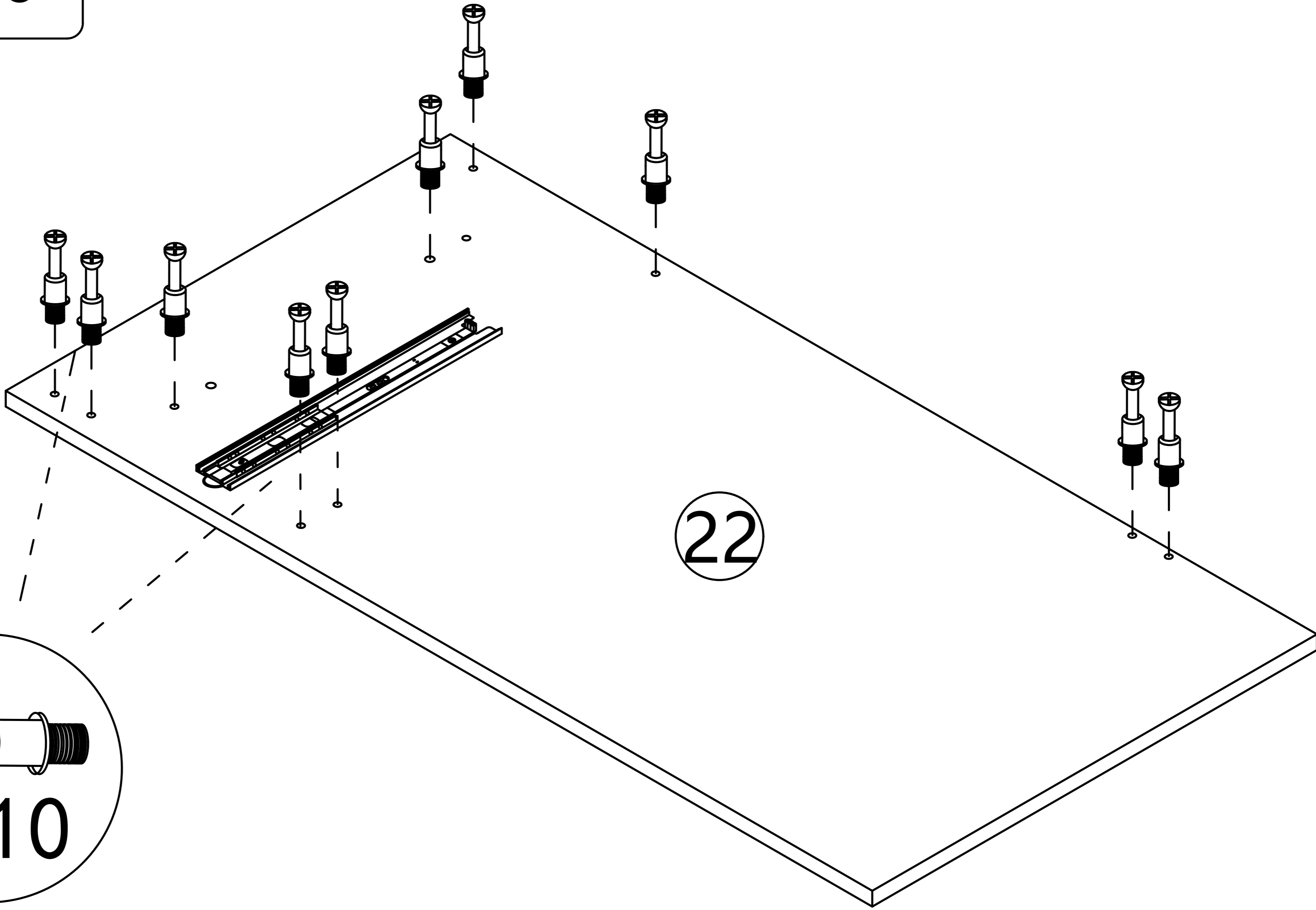
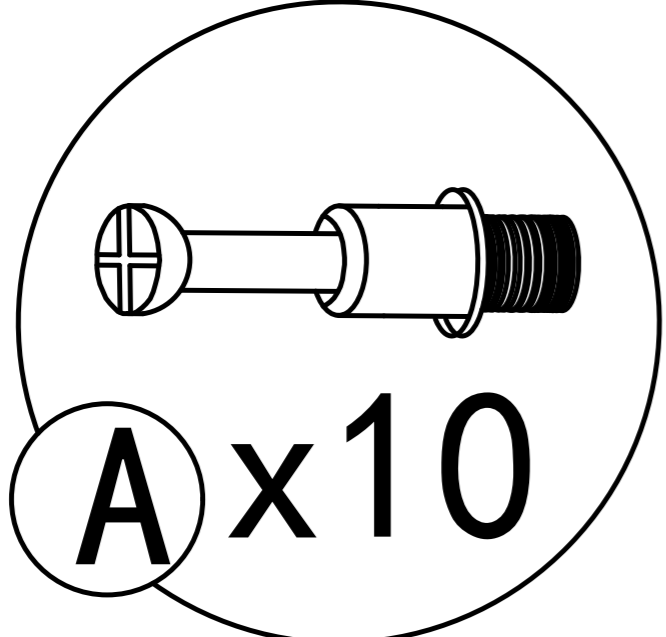
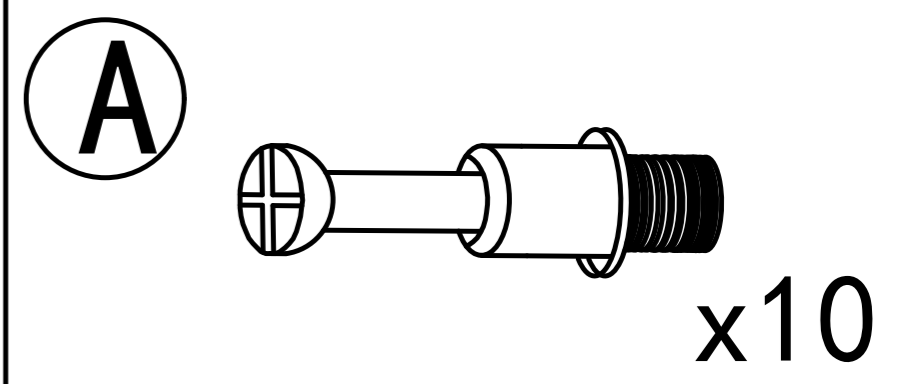


Step 45

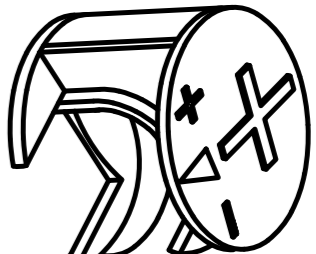


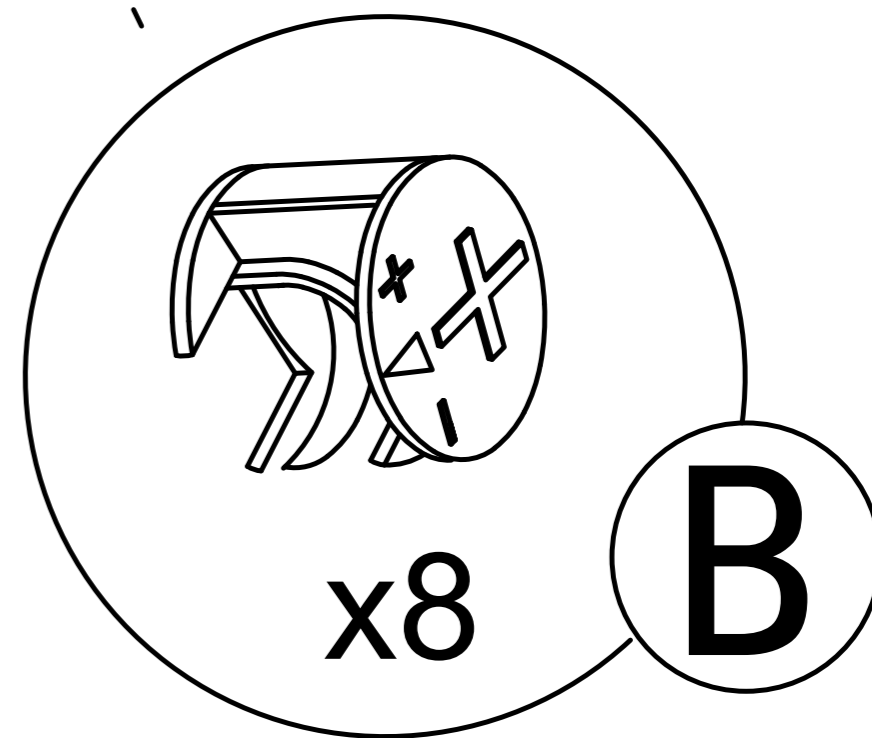
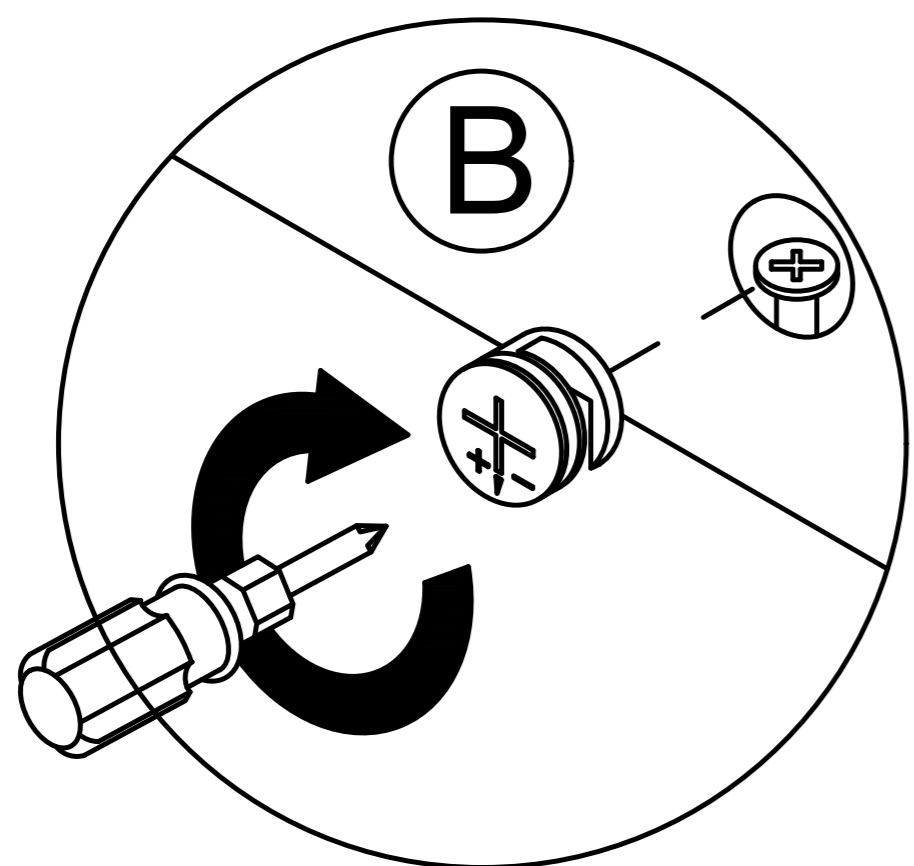
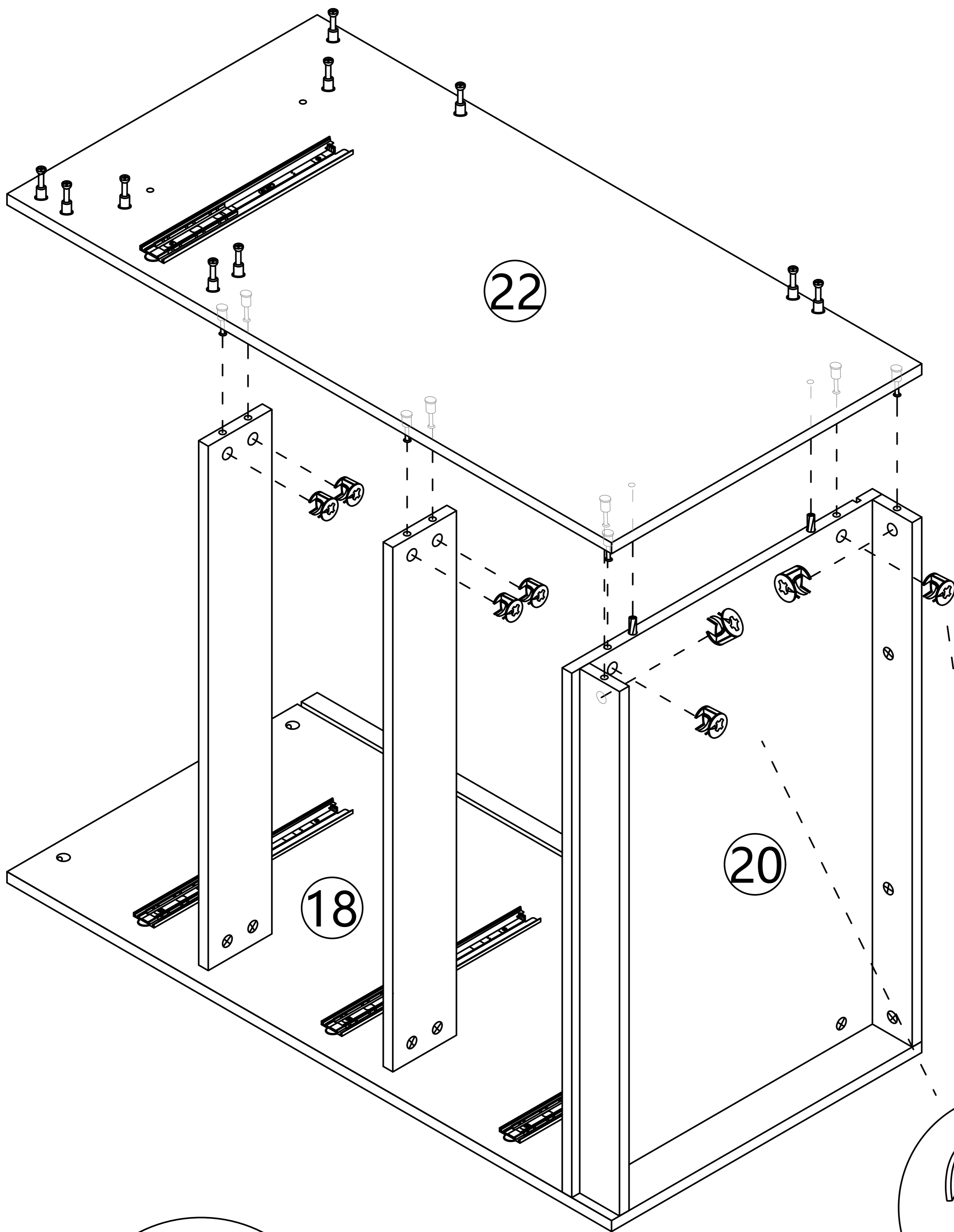
This hole is for strengthening fixed hole customers can choose to install according to their needs.

Step 46

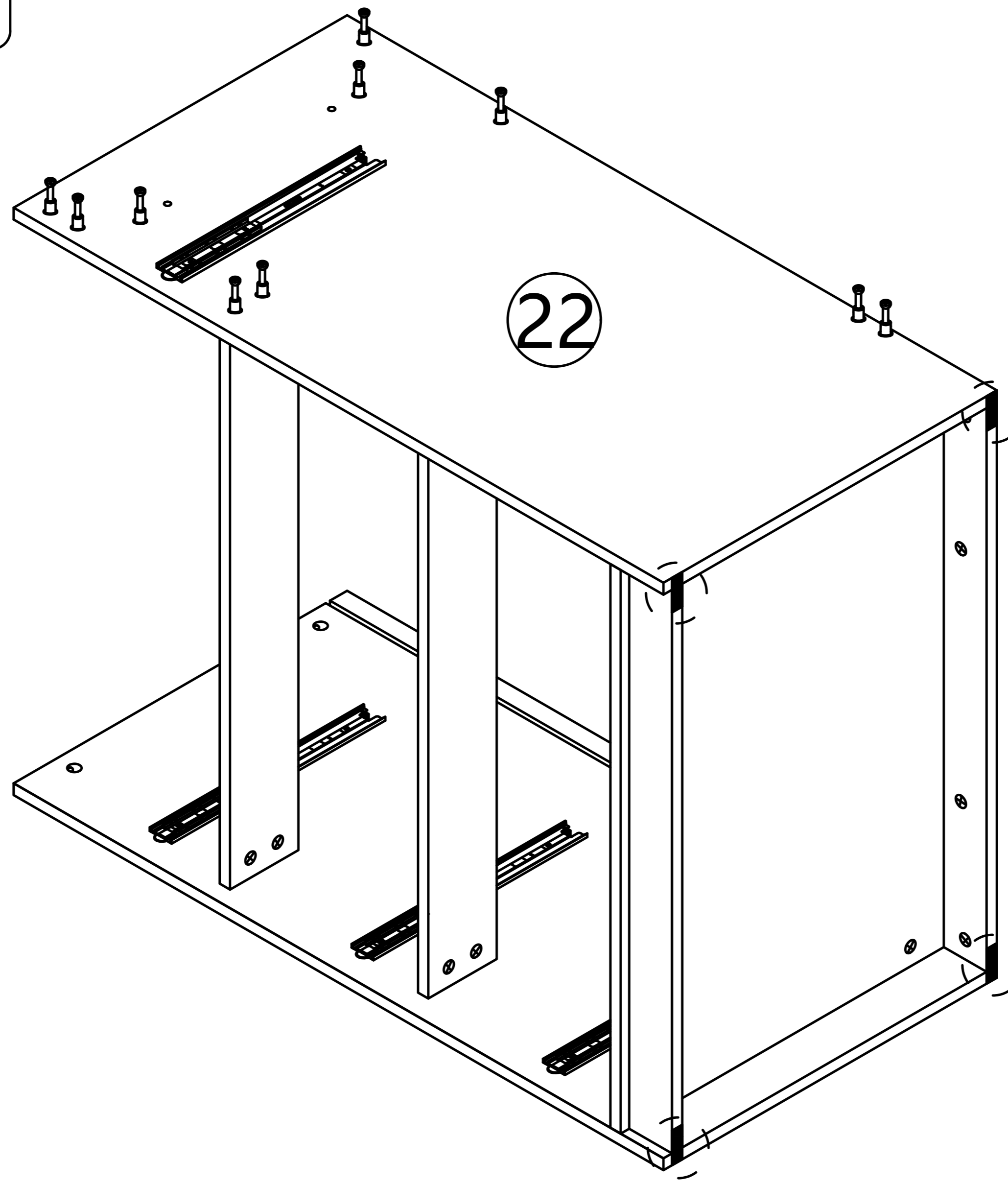


Step 47

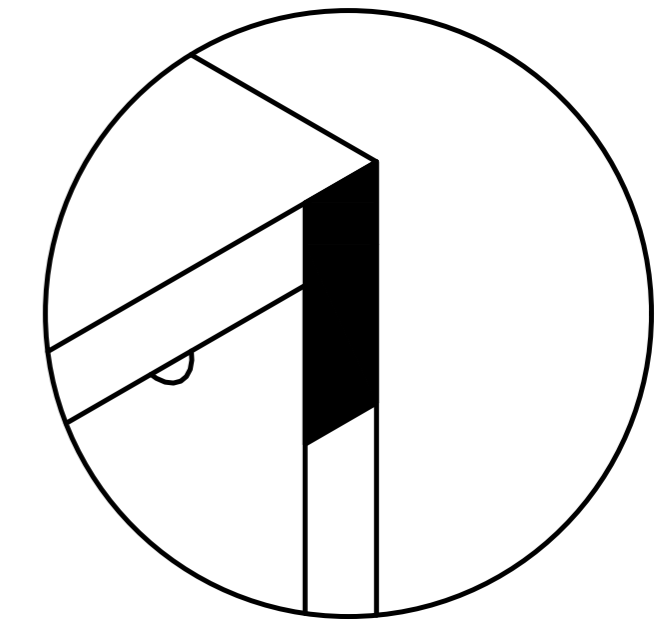
B  x8




Step 48

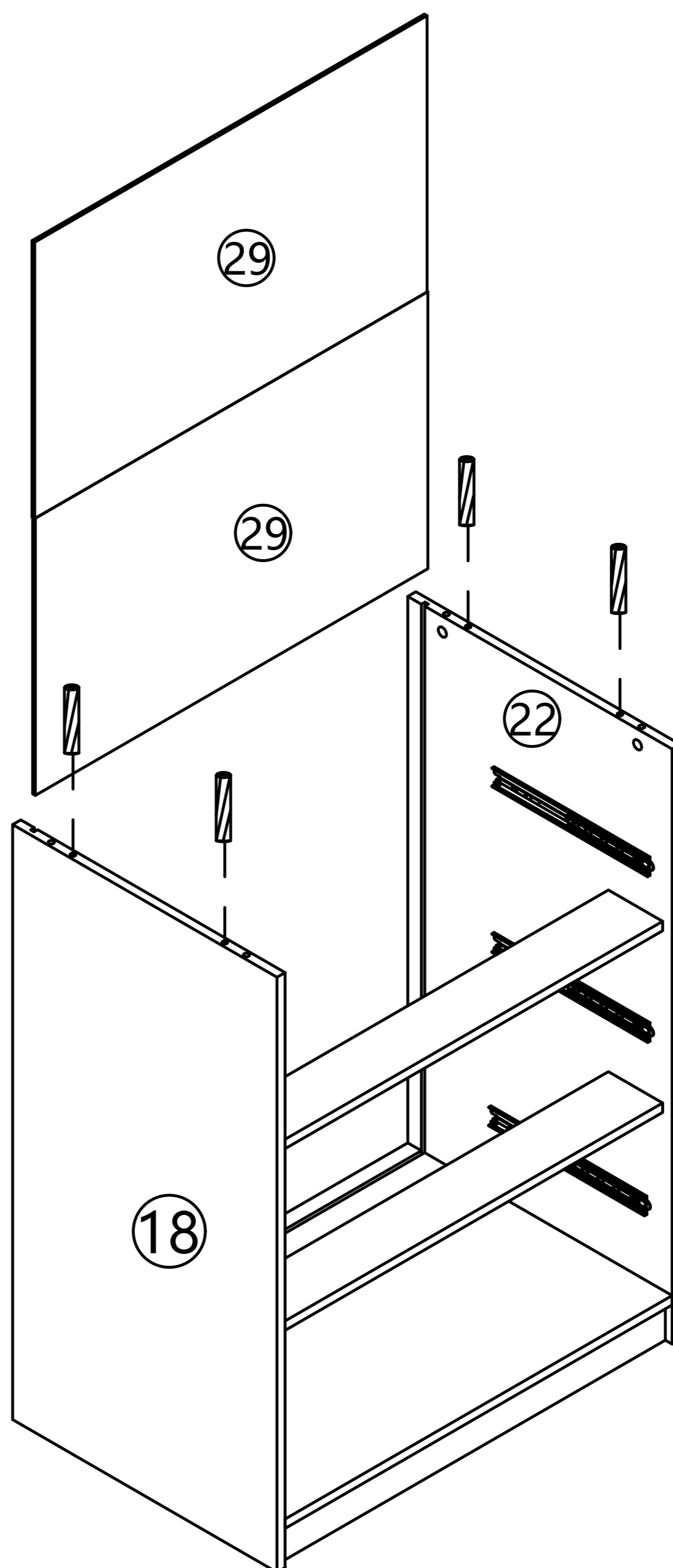



H  x4




H  x4

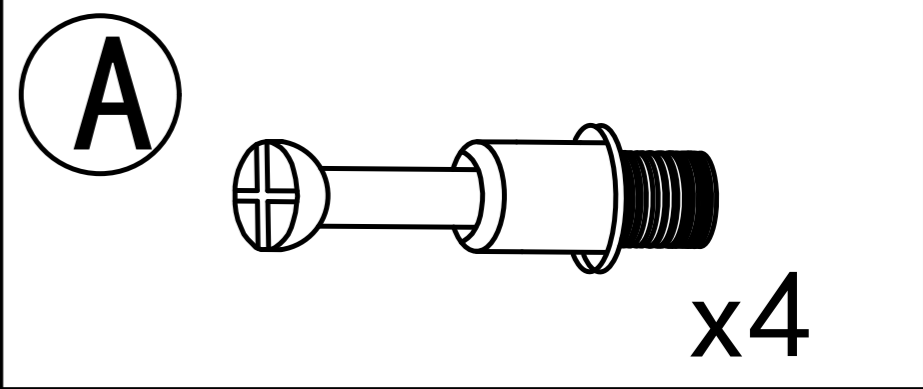
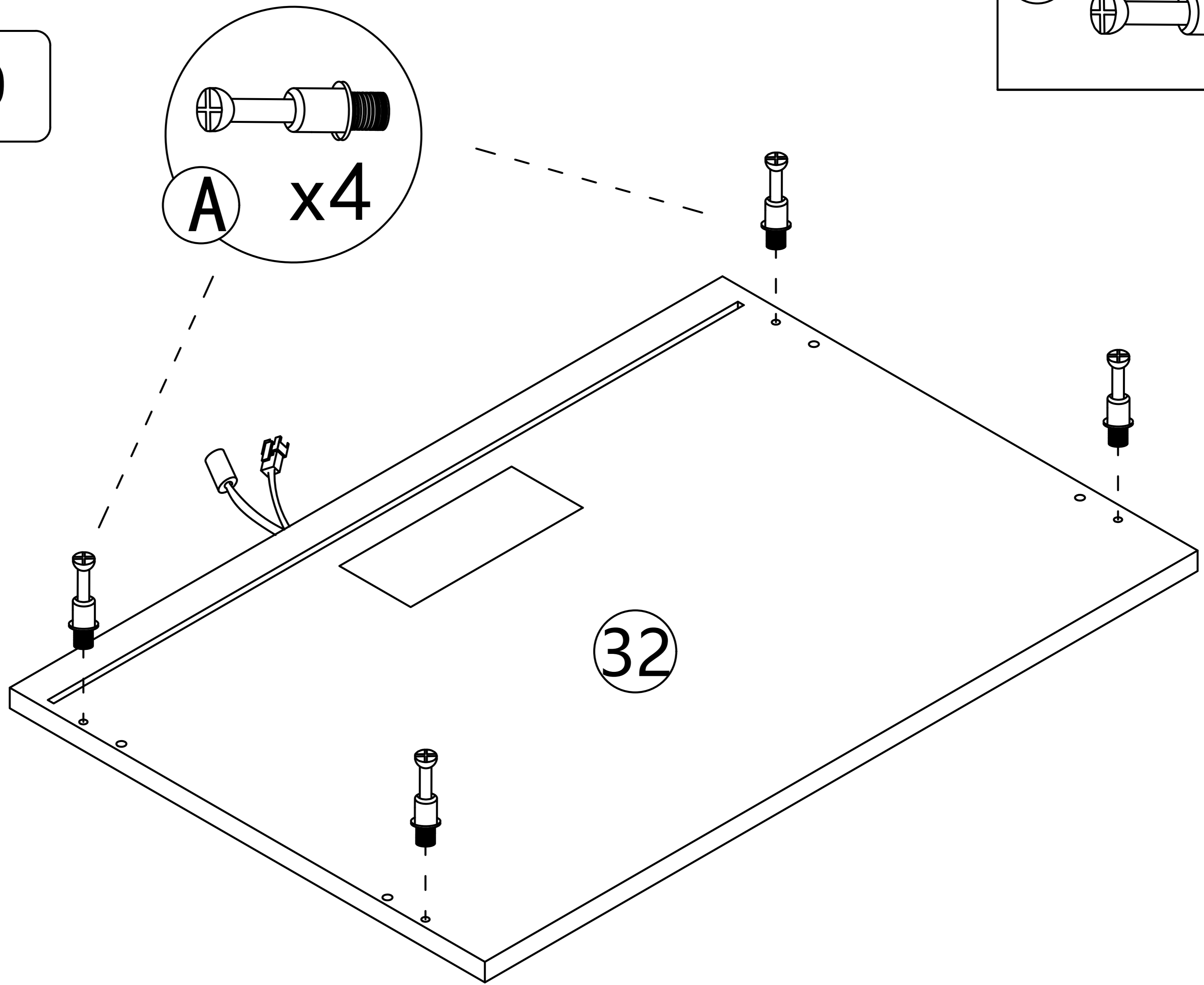
Step 49



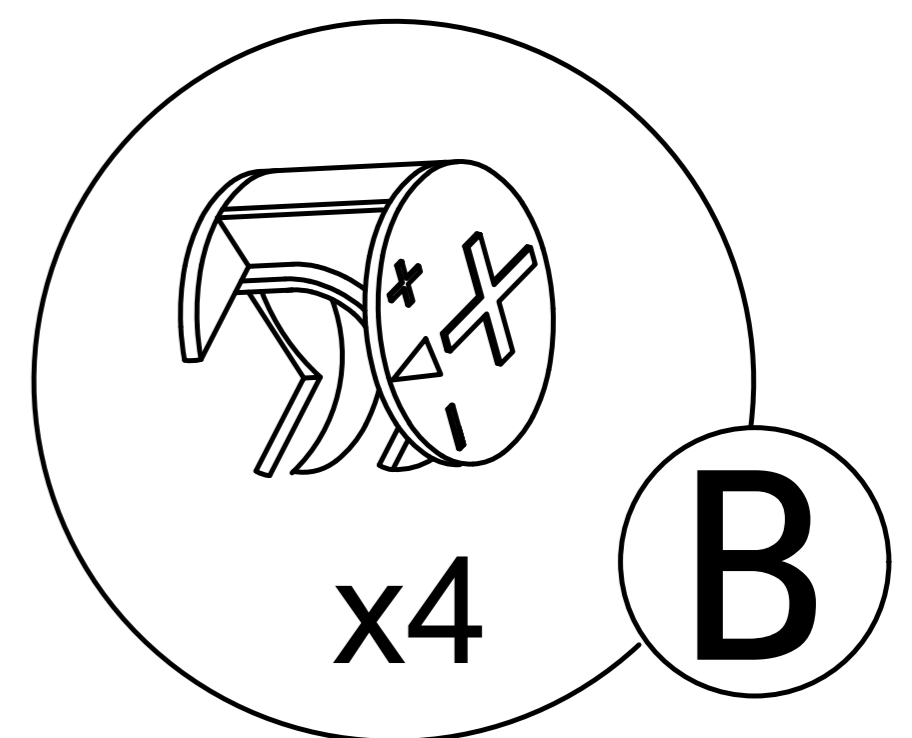
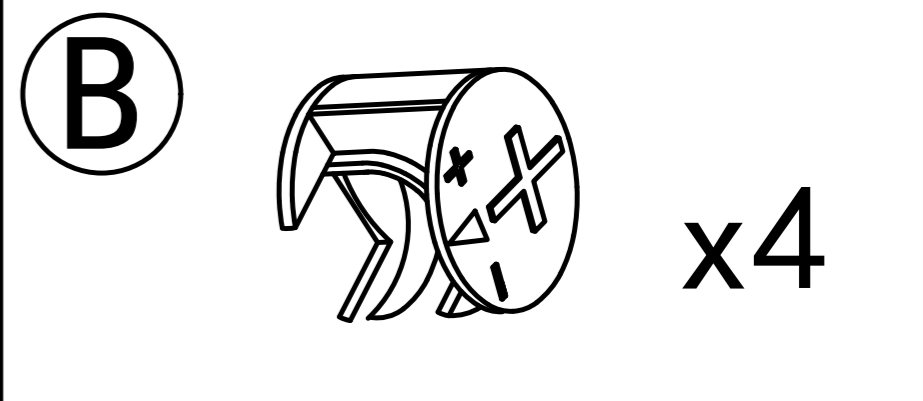
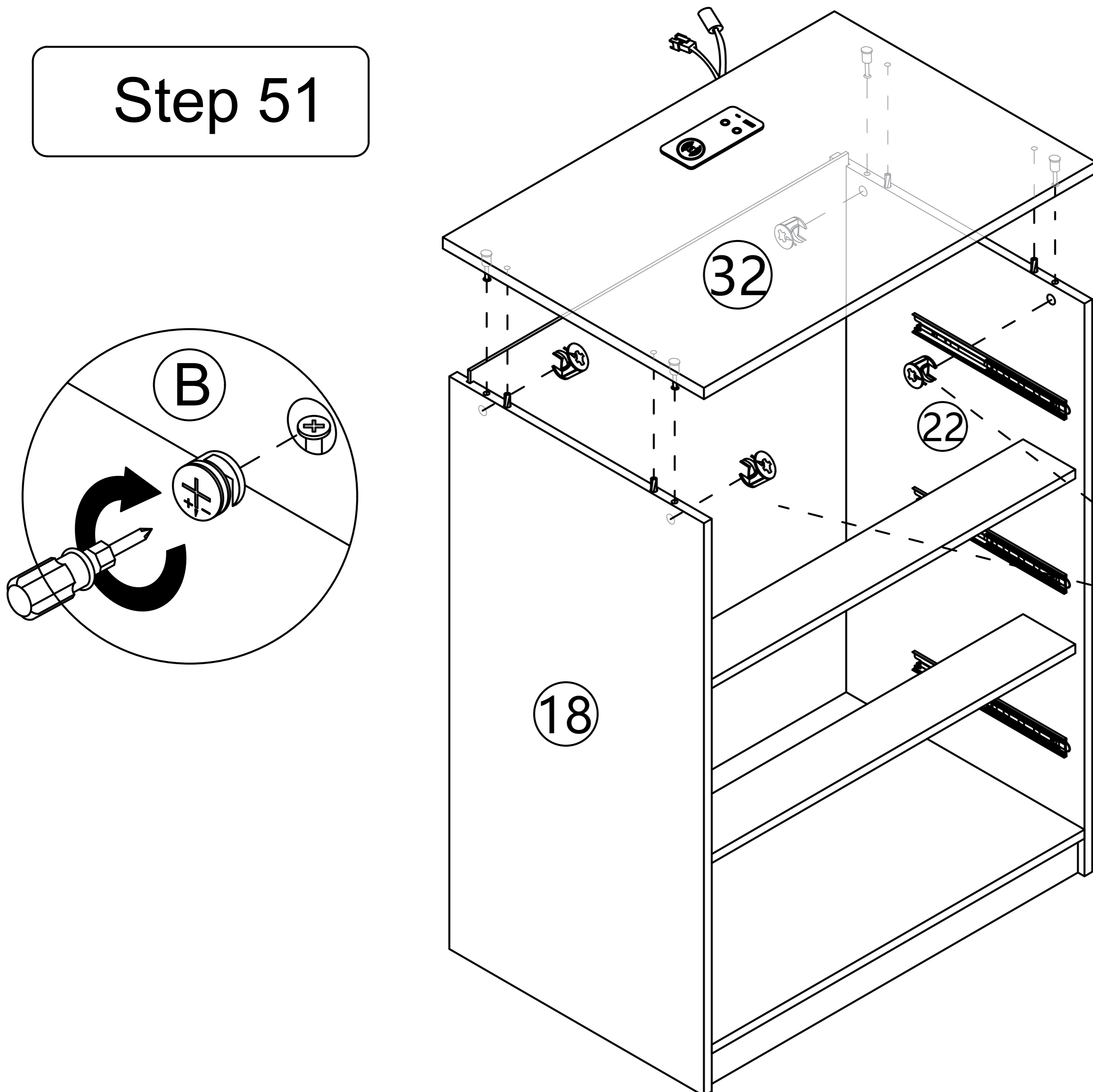
C  x4

C  x4

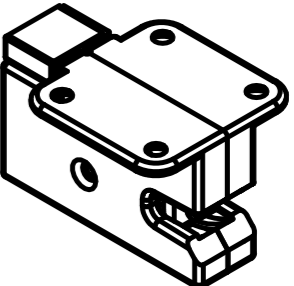
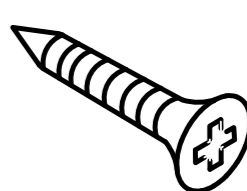
Step 50

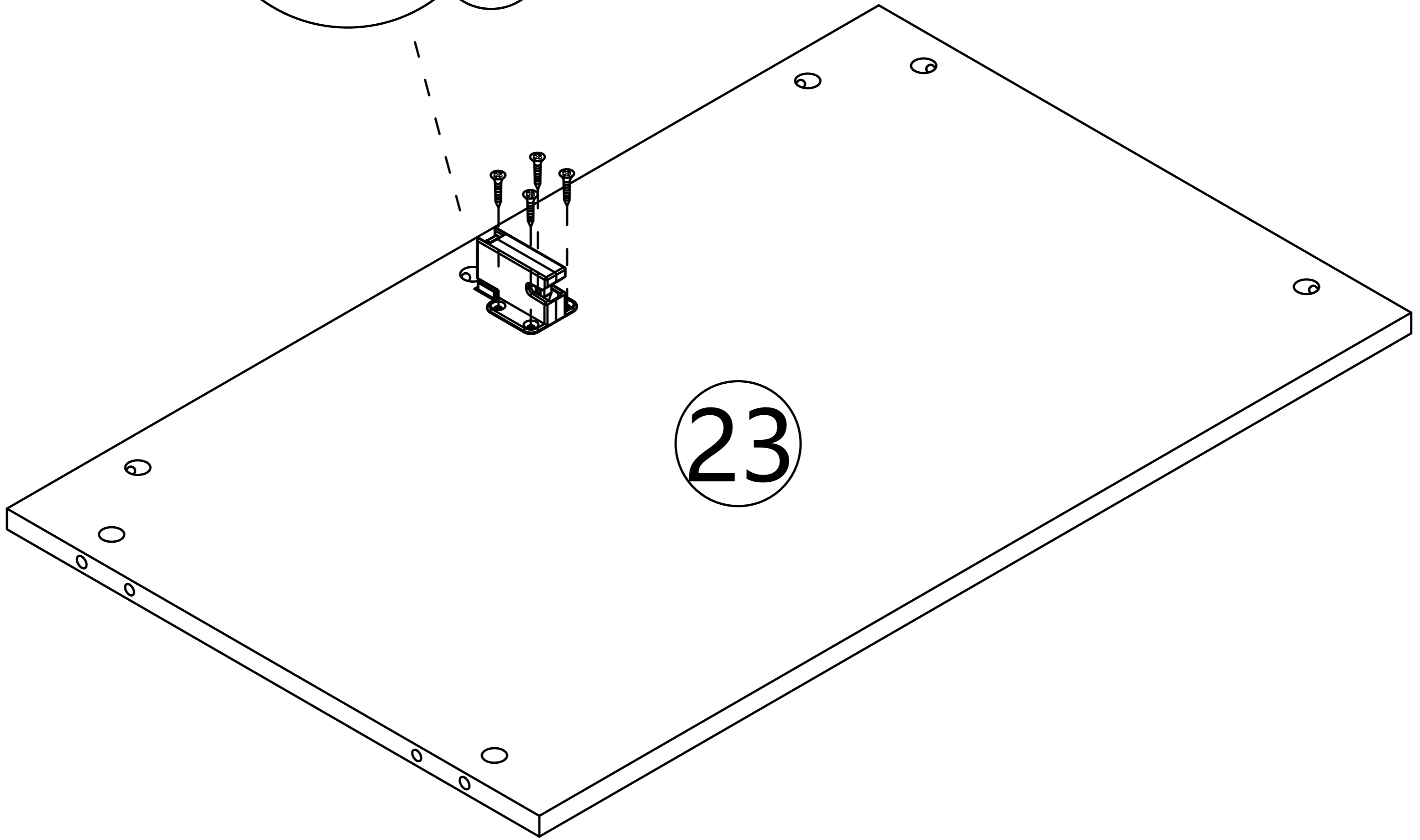
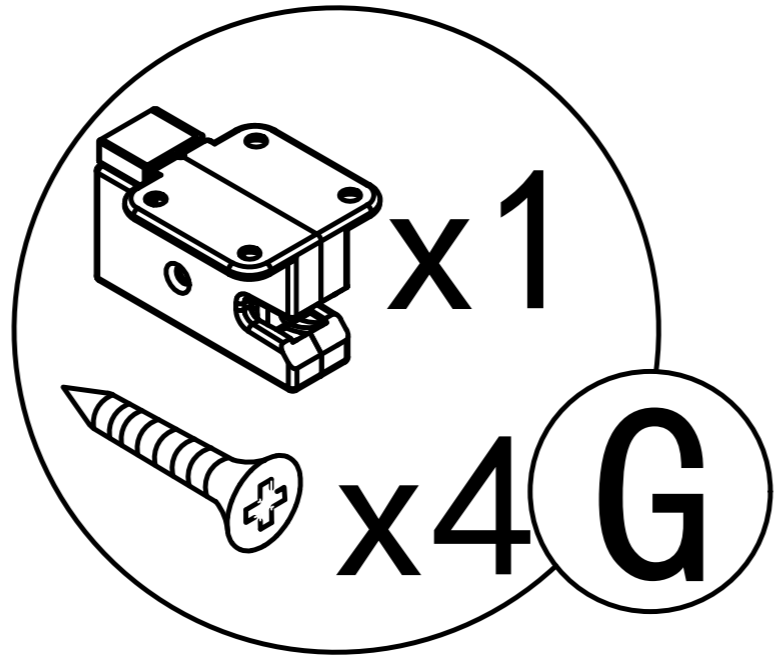


Step 51

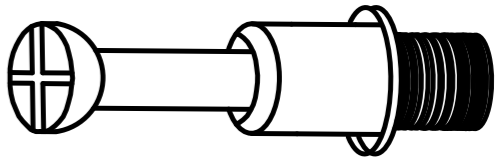


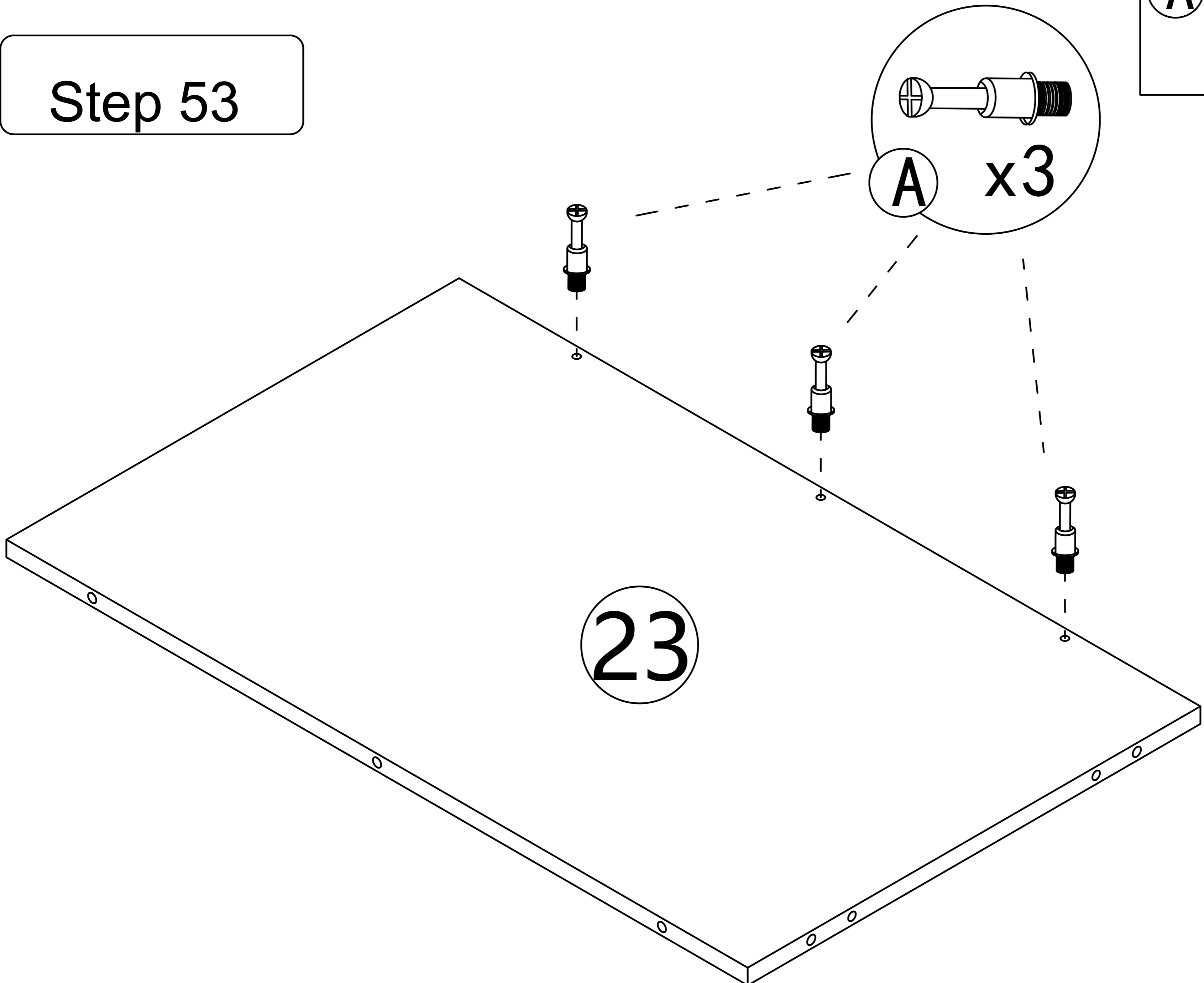
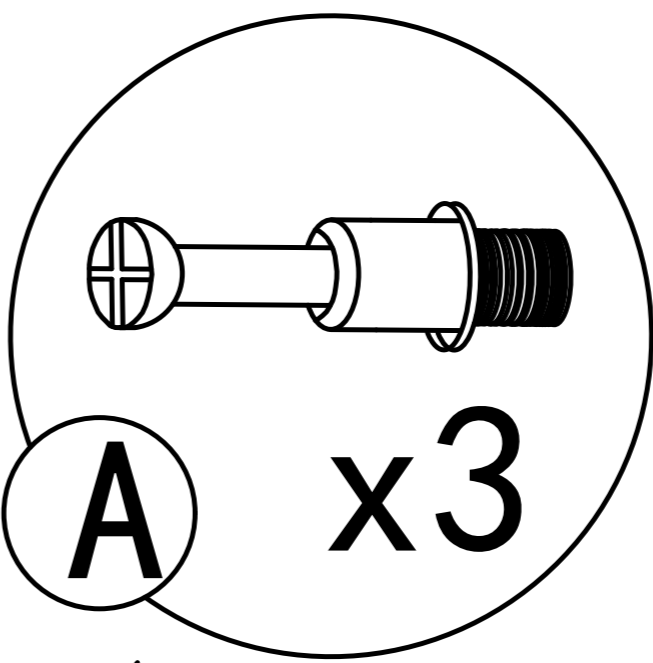
Step 52

- G**  x1
- G**  x4

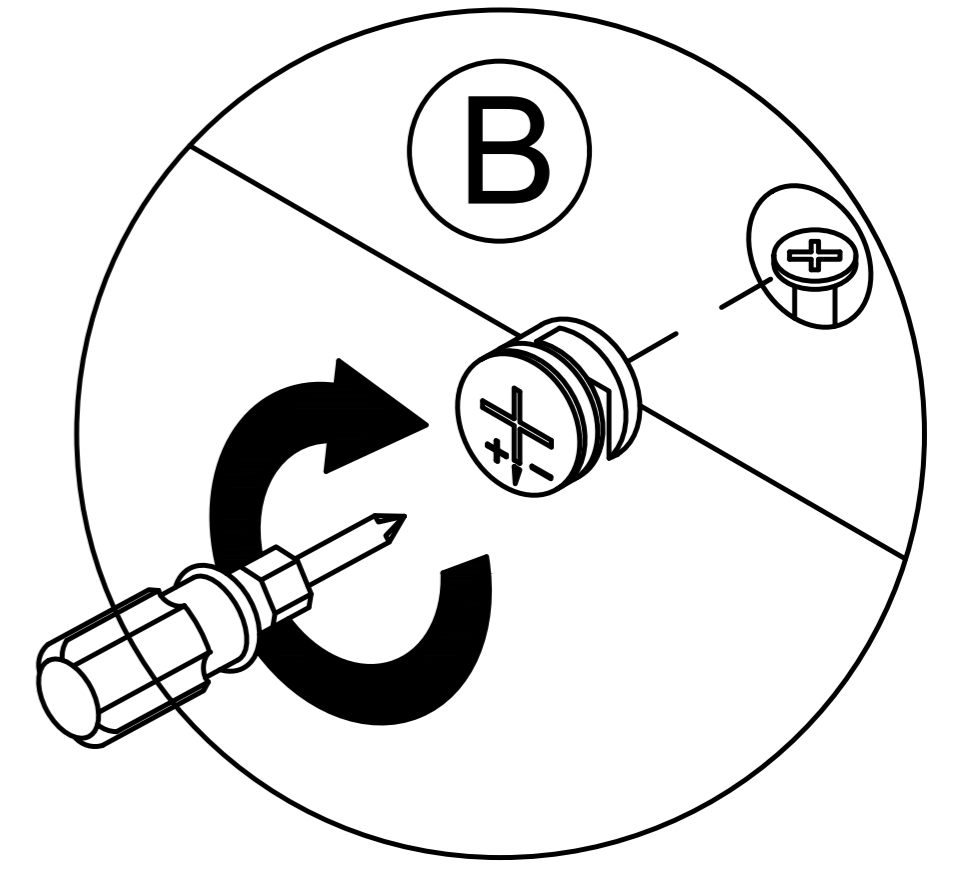
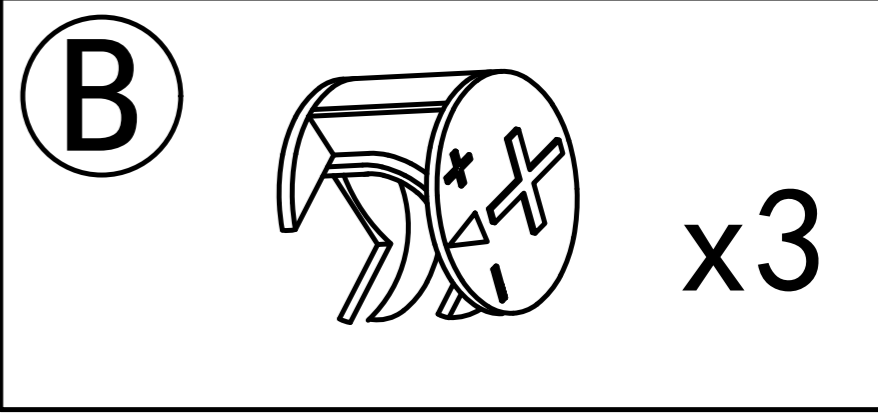
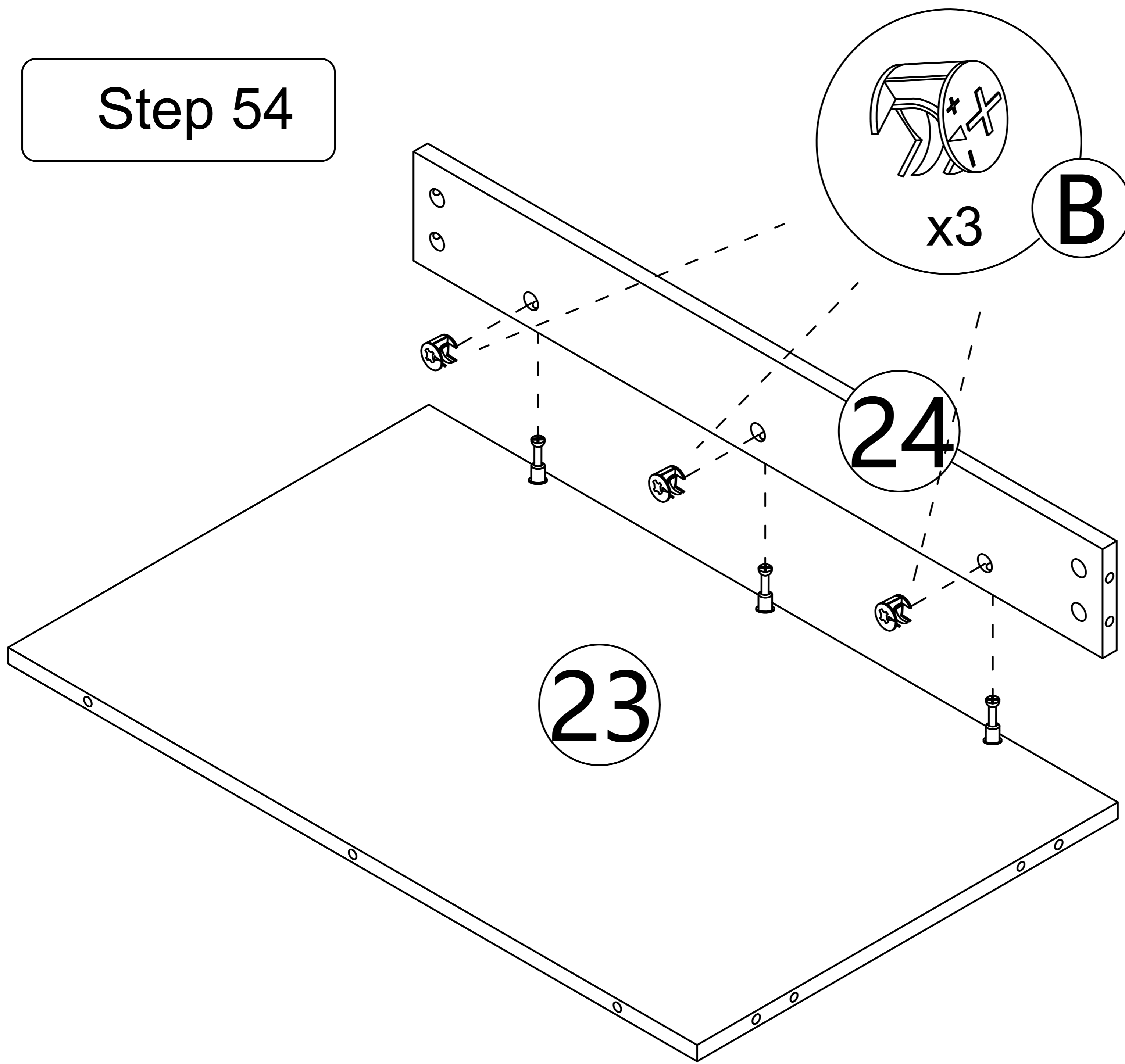


Step 53

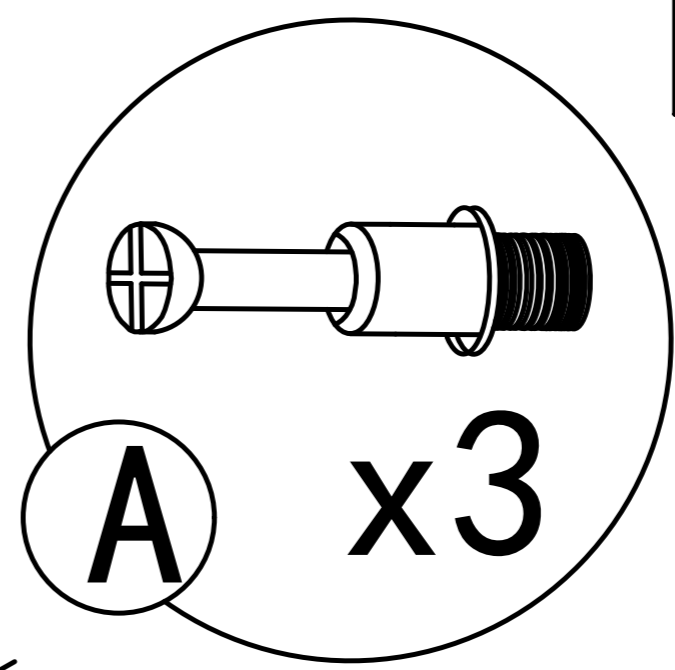
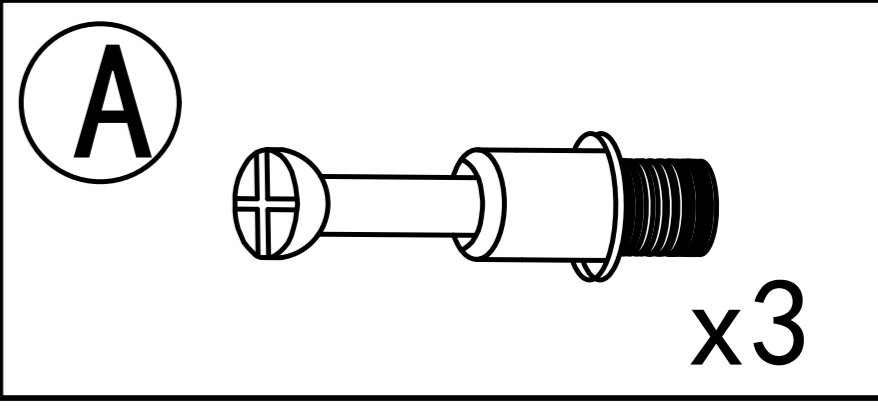
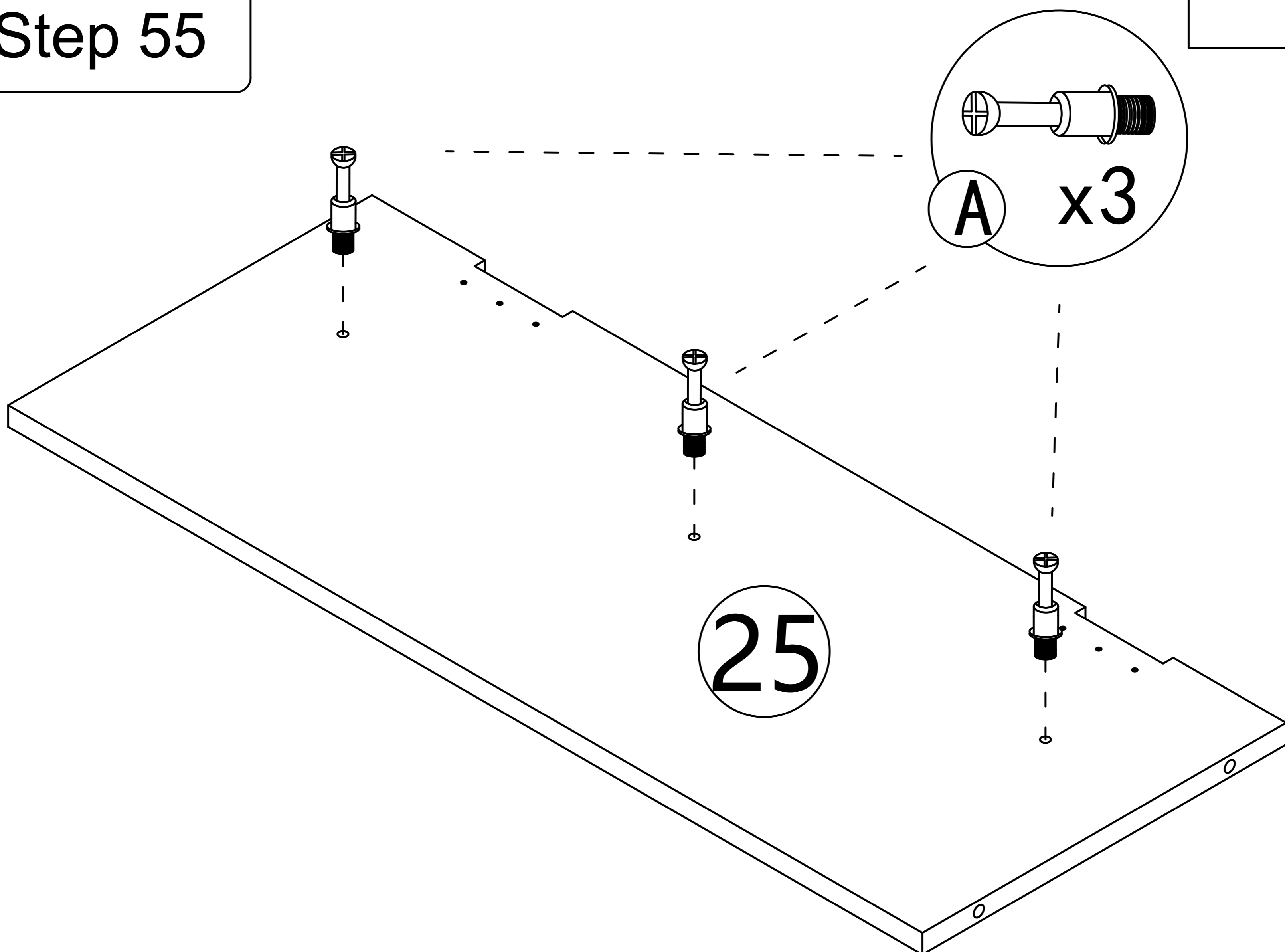
- A**  x3



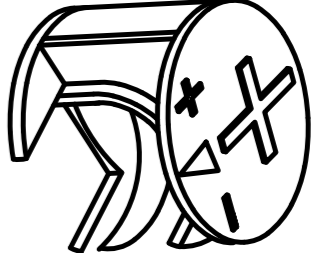
Step 54

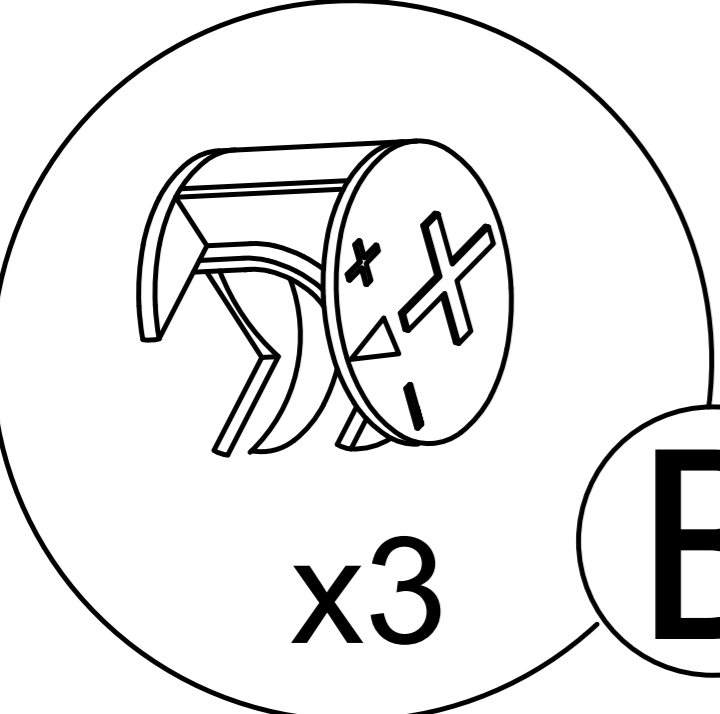


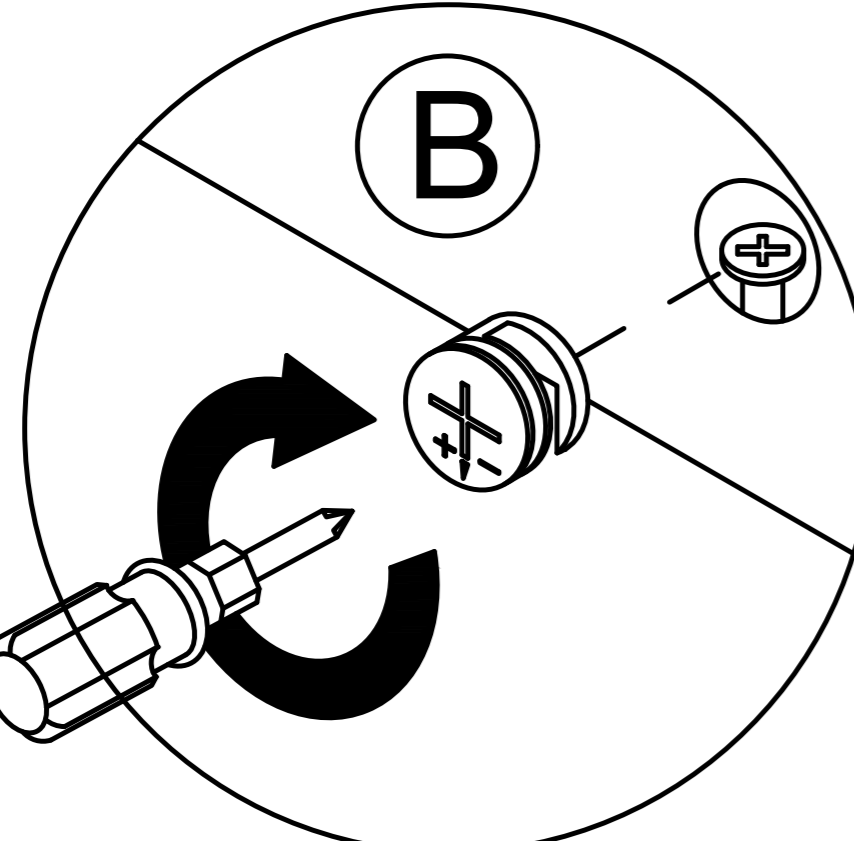
Step 55

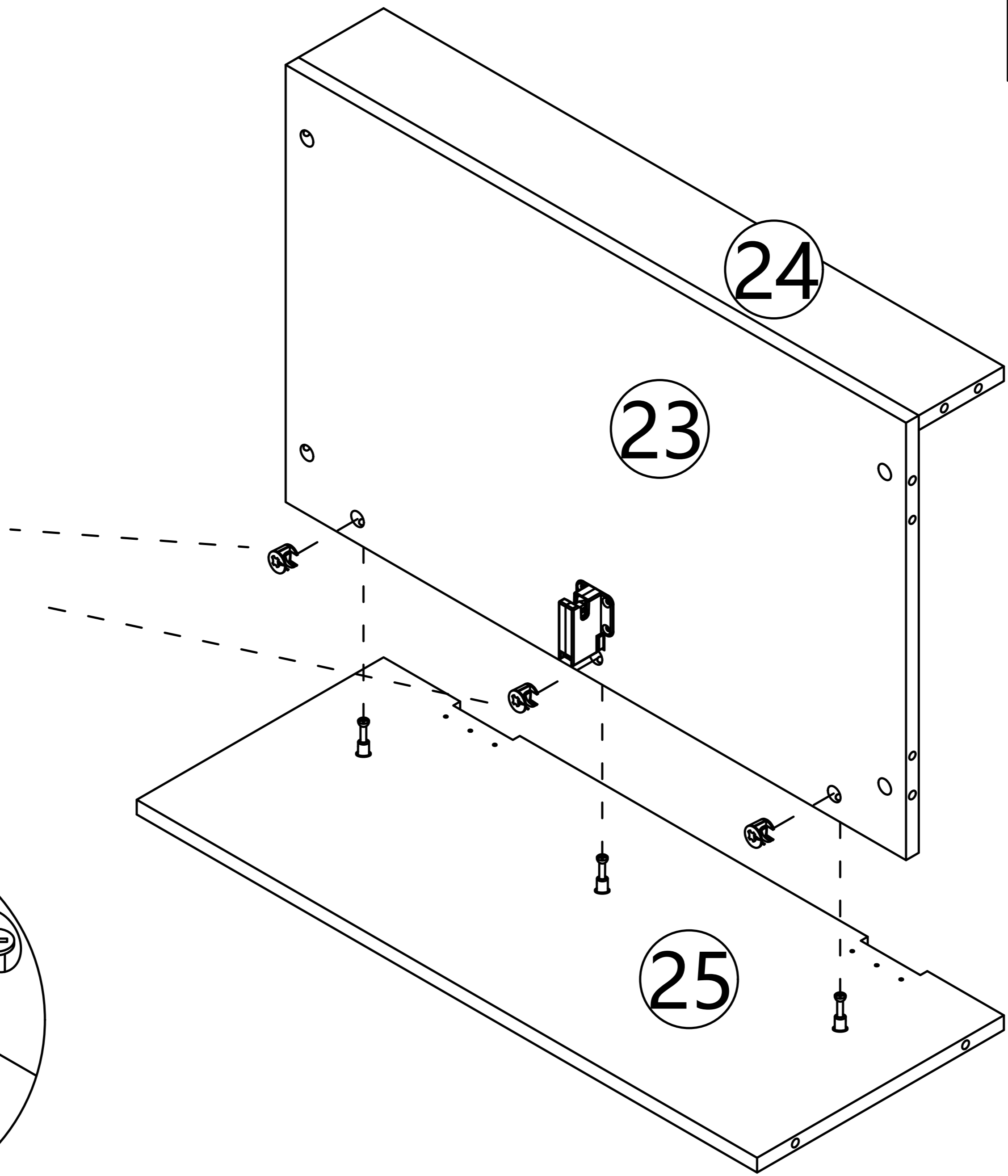


Step 56


B  x3

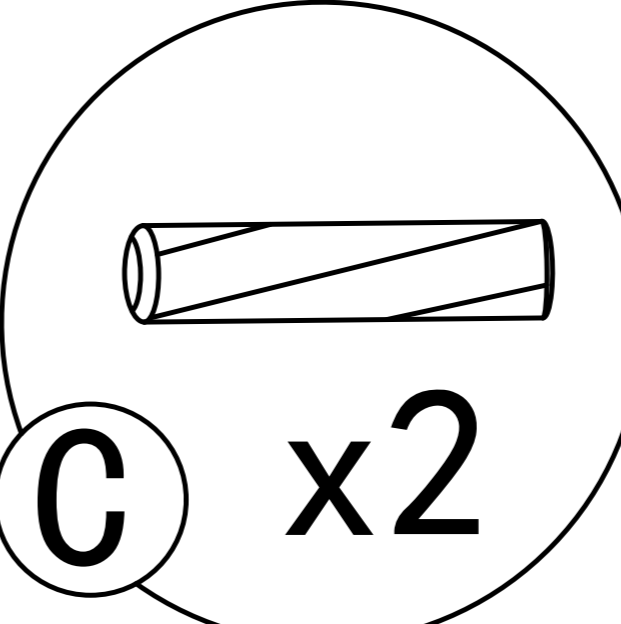
 x3 **B**

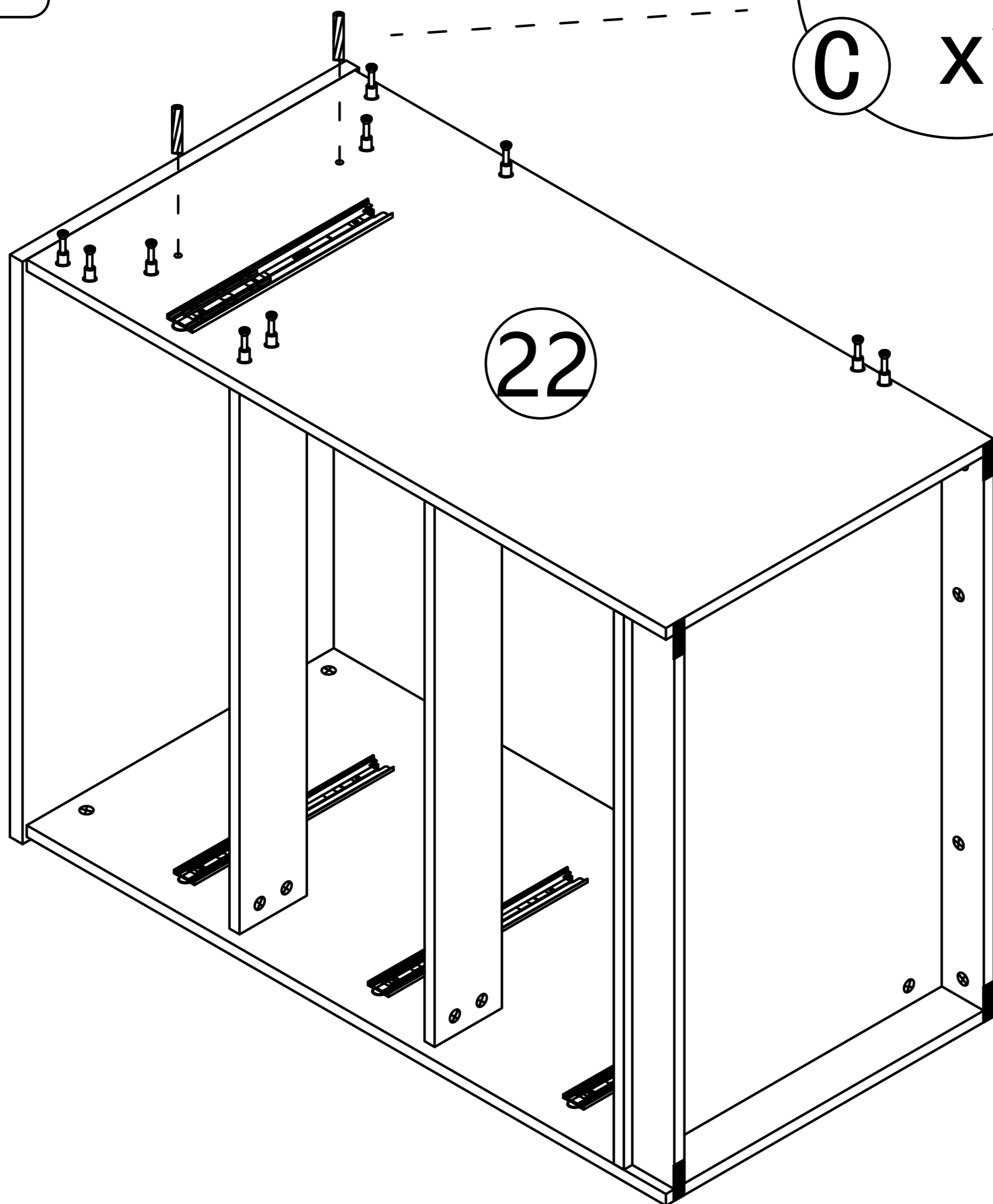
 **B**



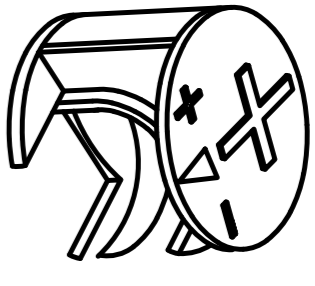
Step 57

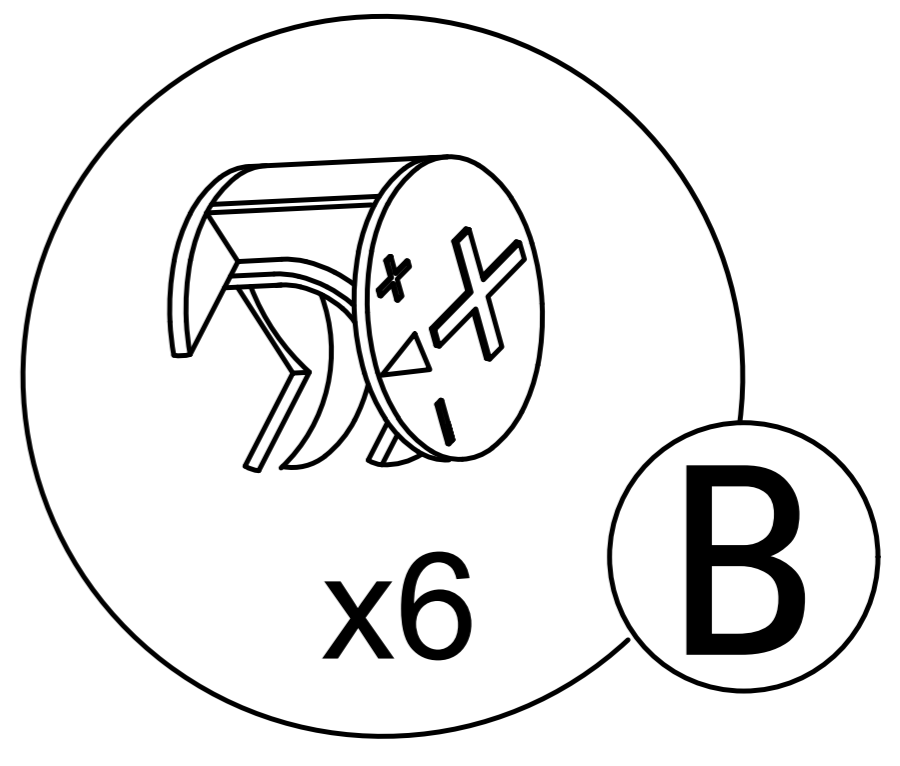
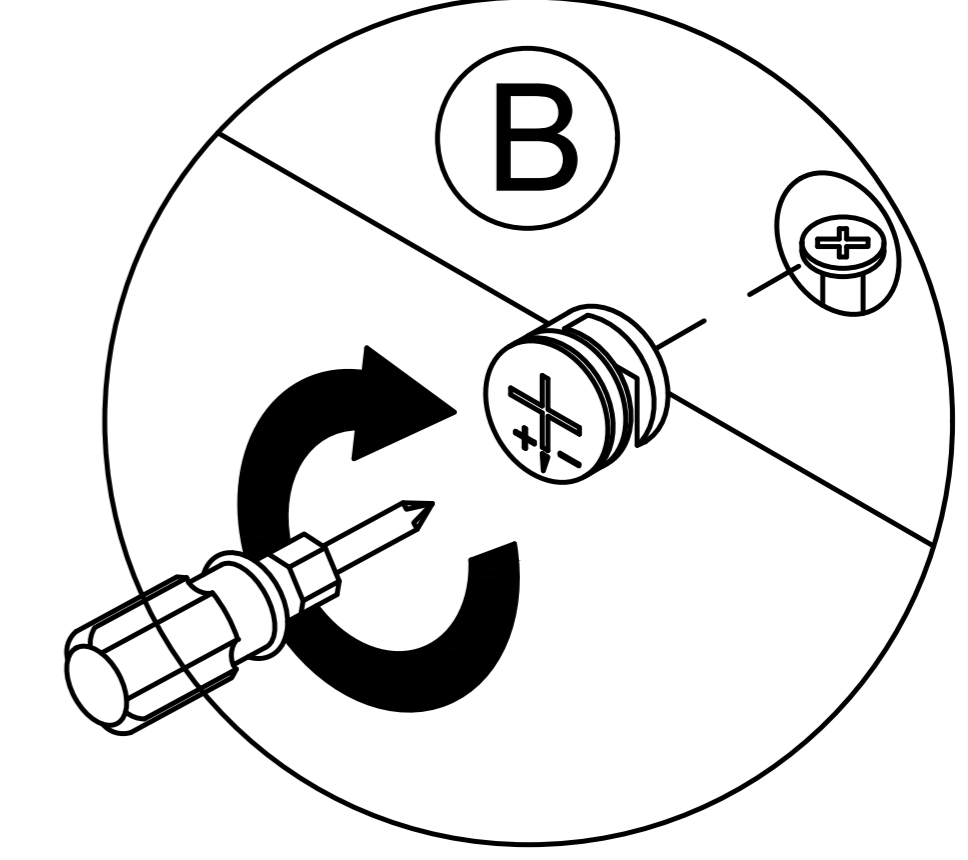
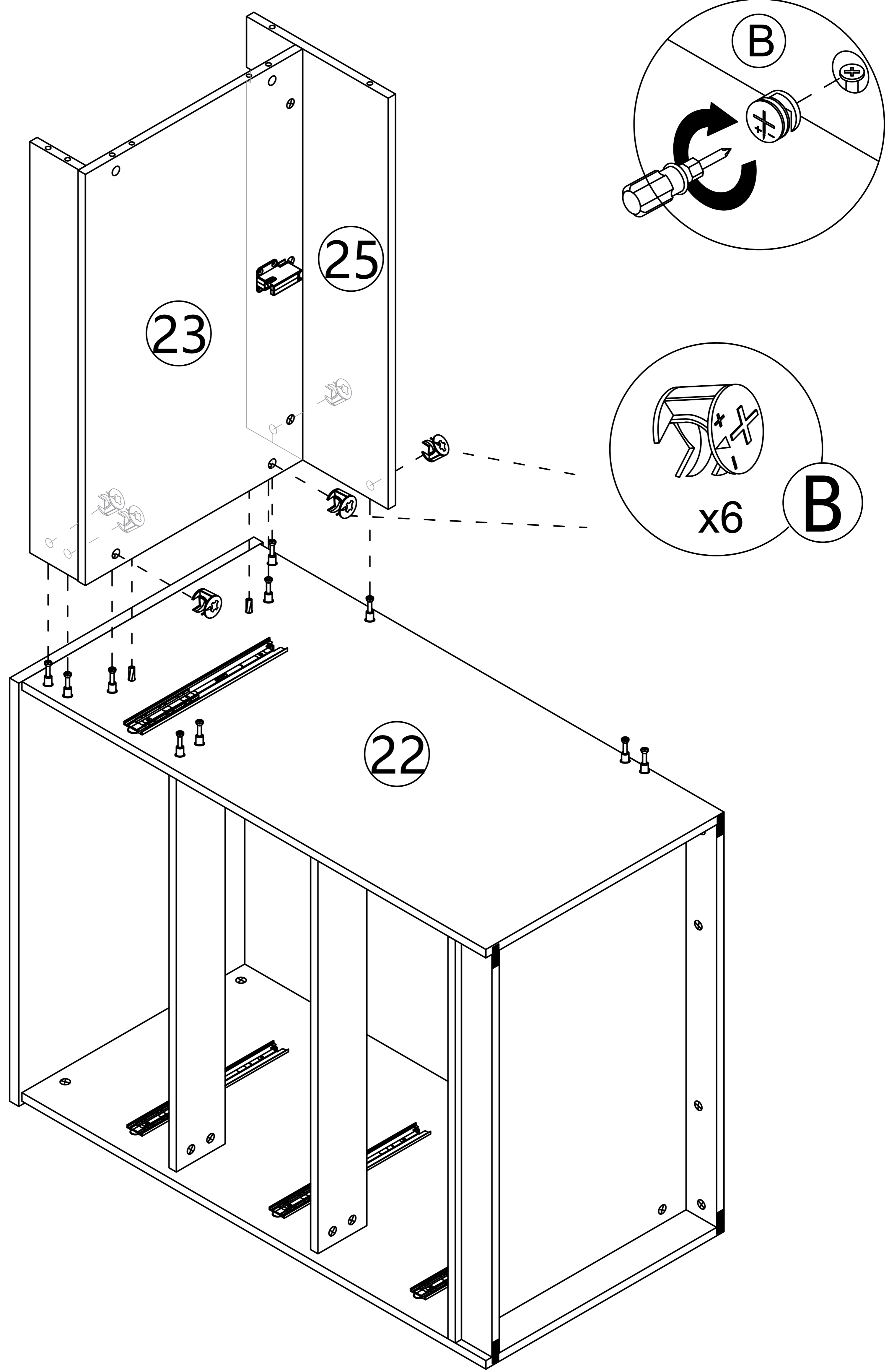
C  x2

 **C** x2

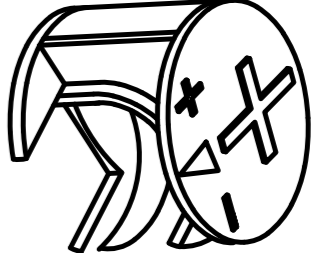


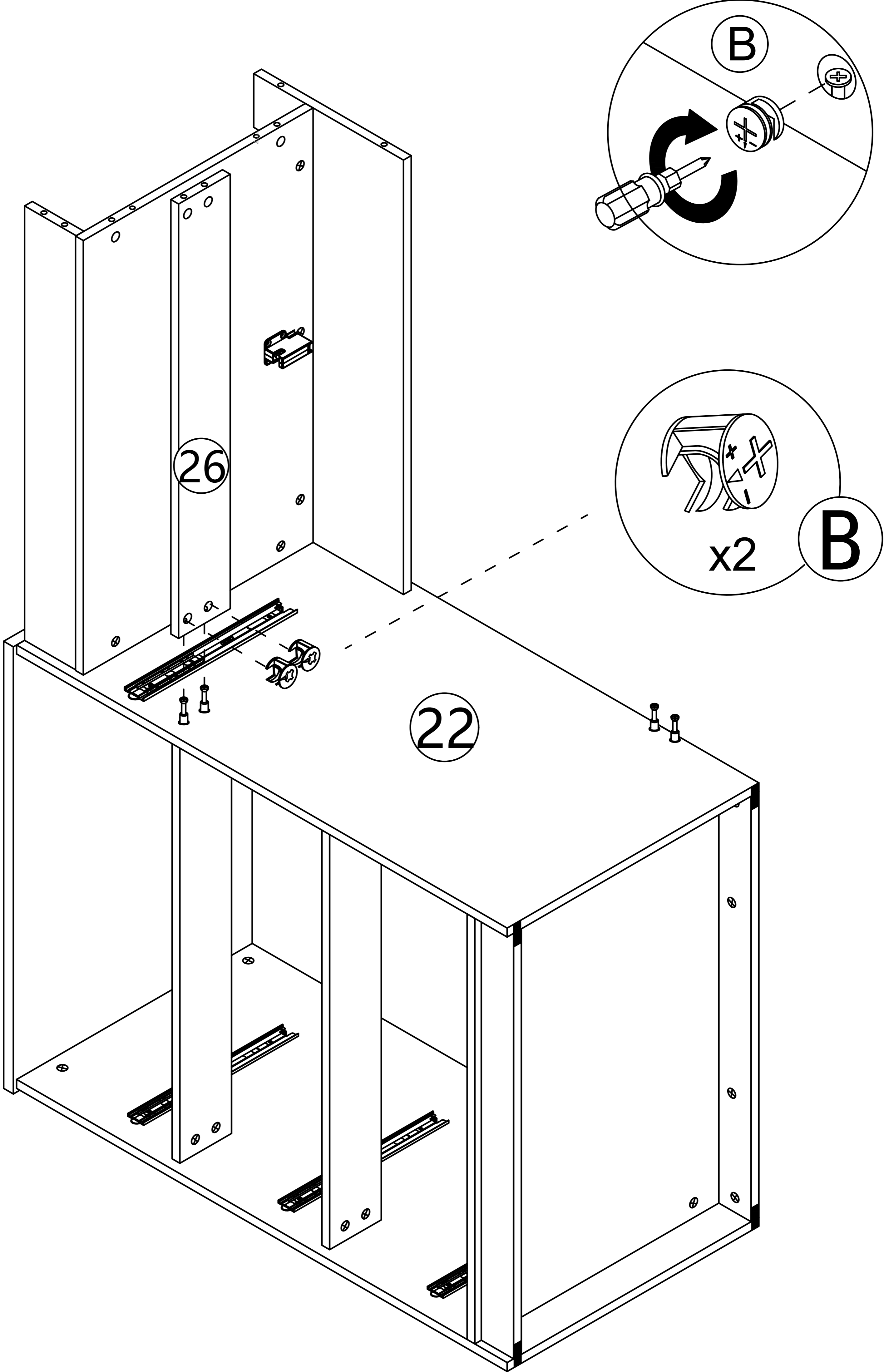
Step 58

B  x6

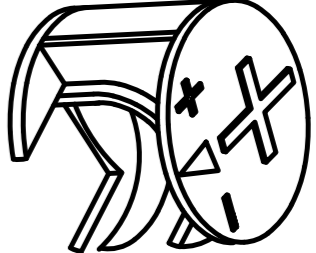


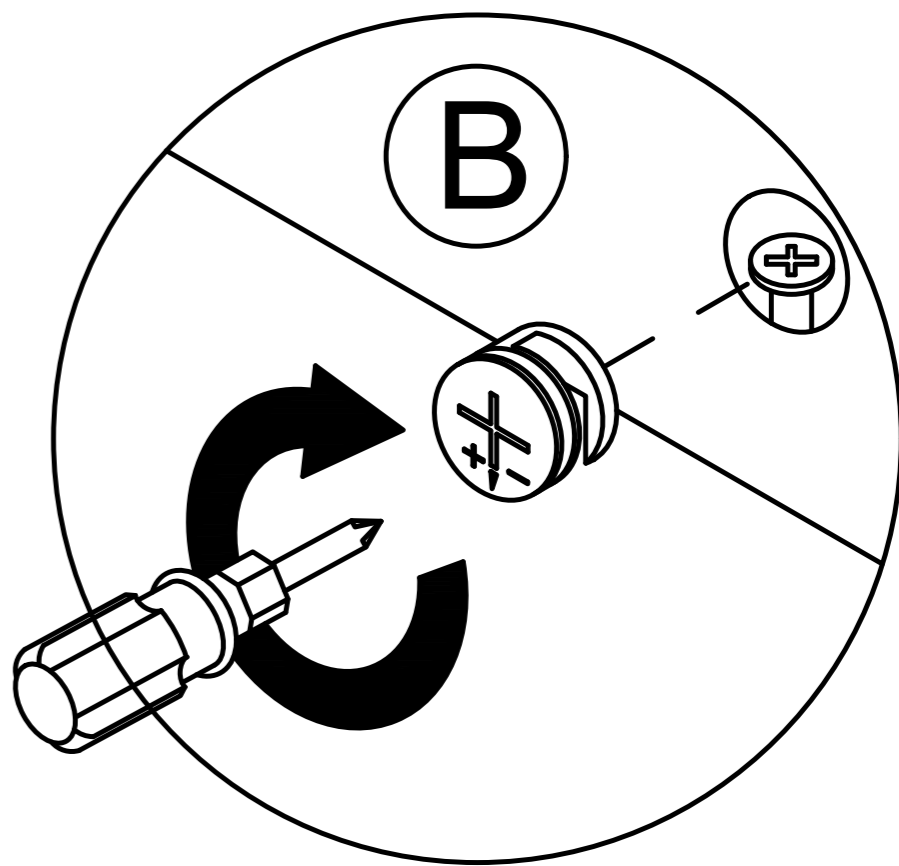
Step 59

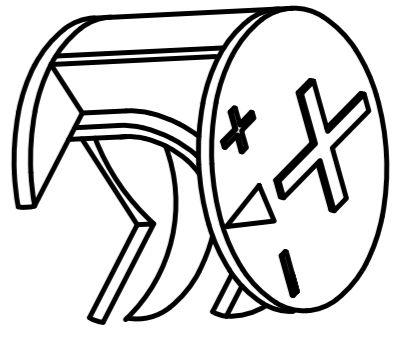
B  x2

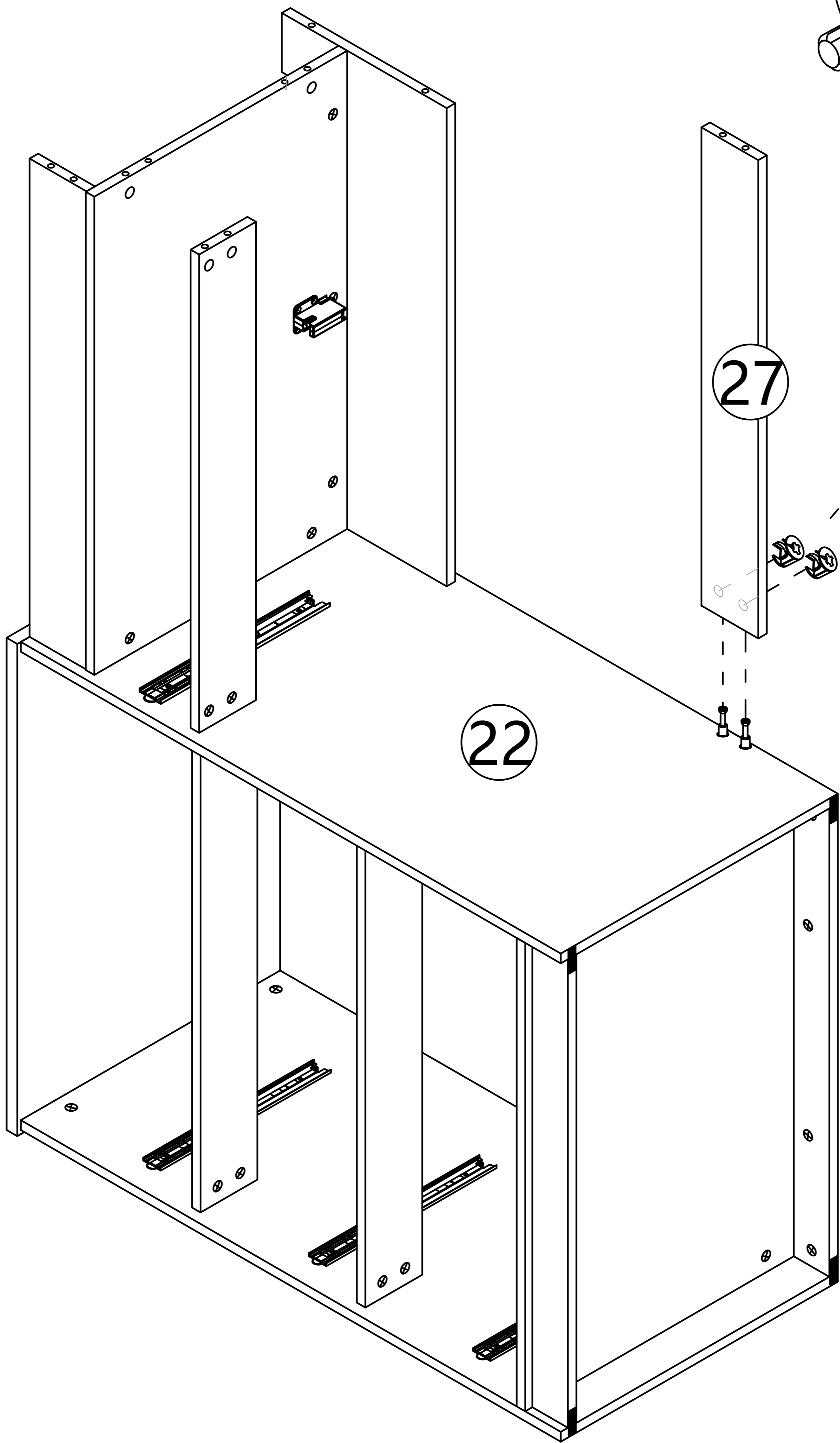


Step 60

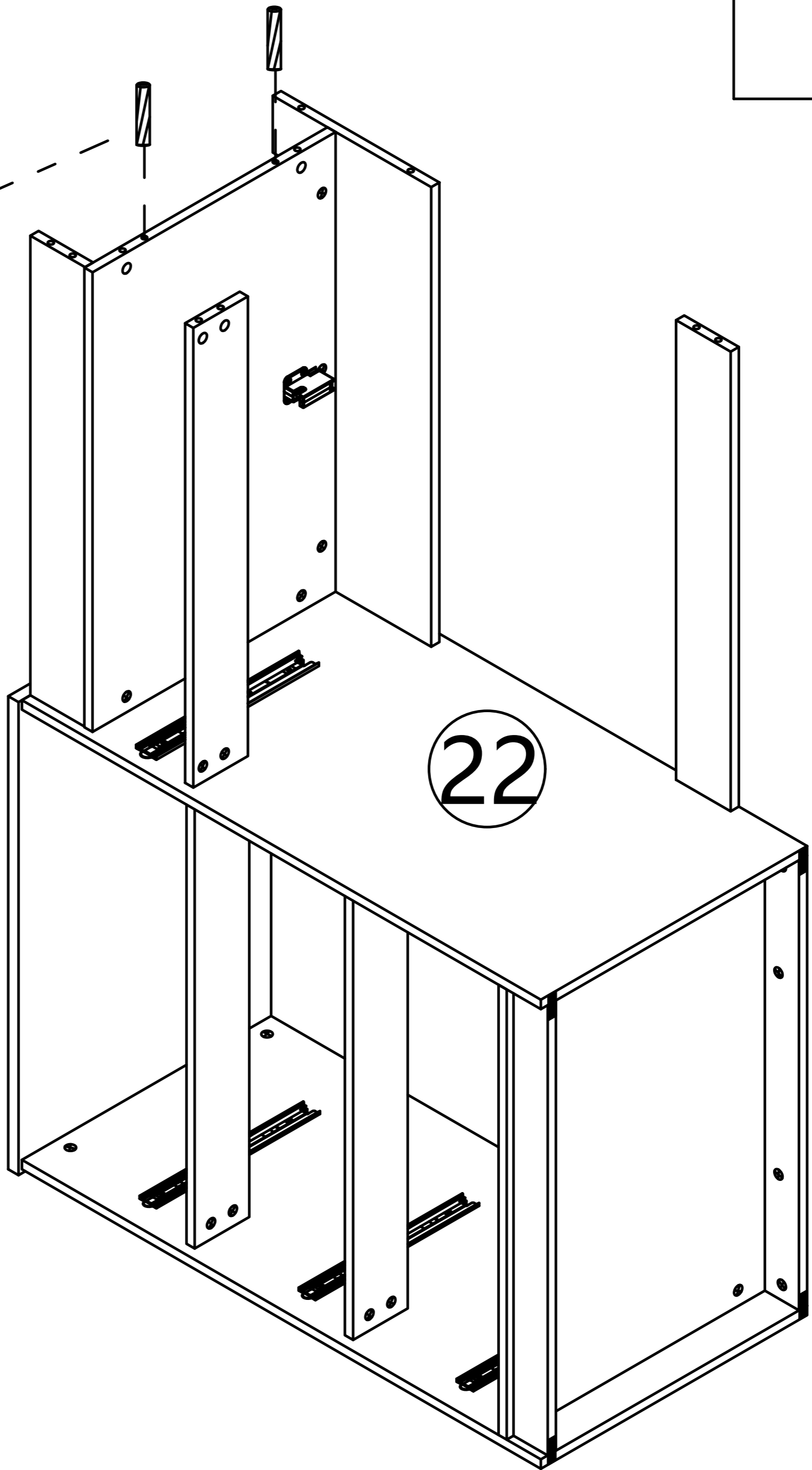
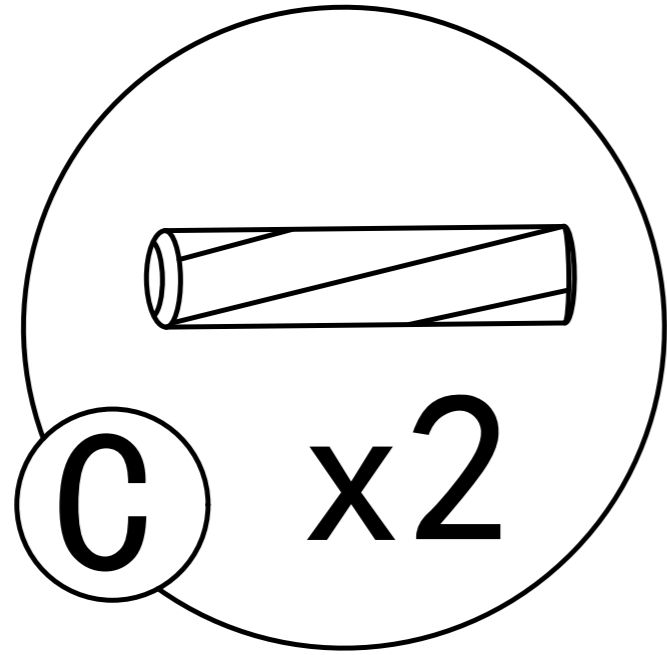
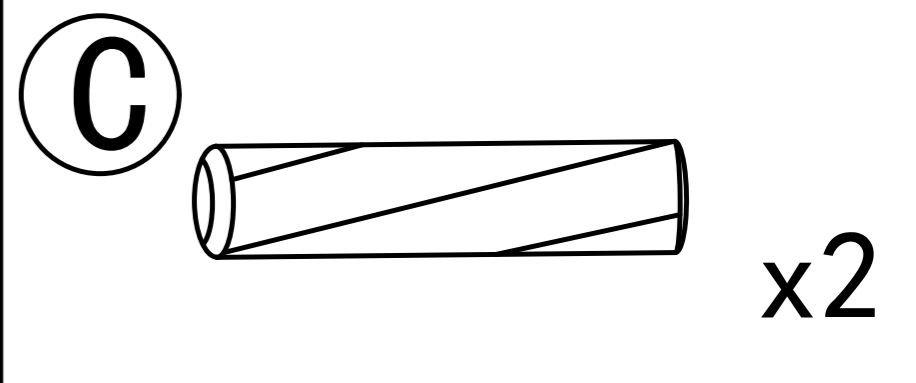
B  x2



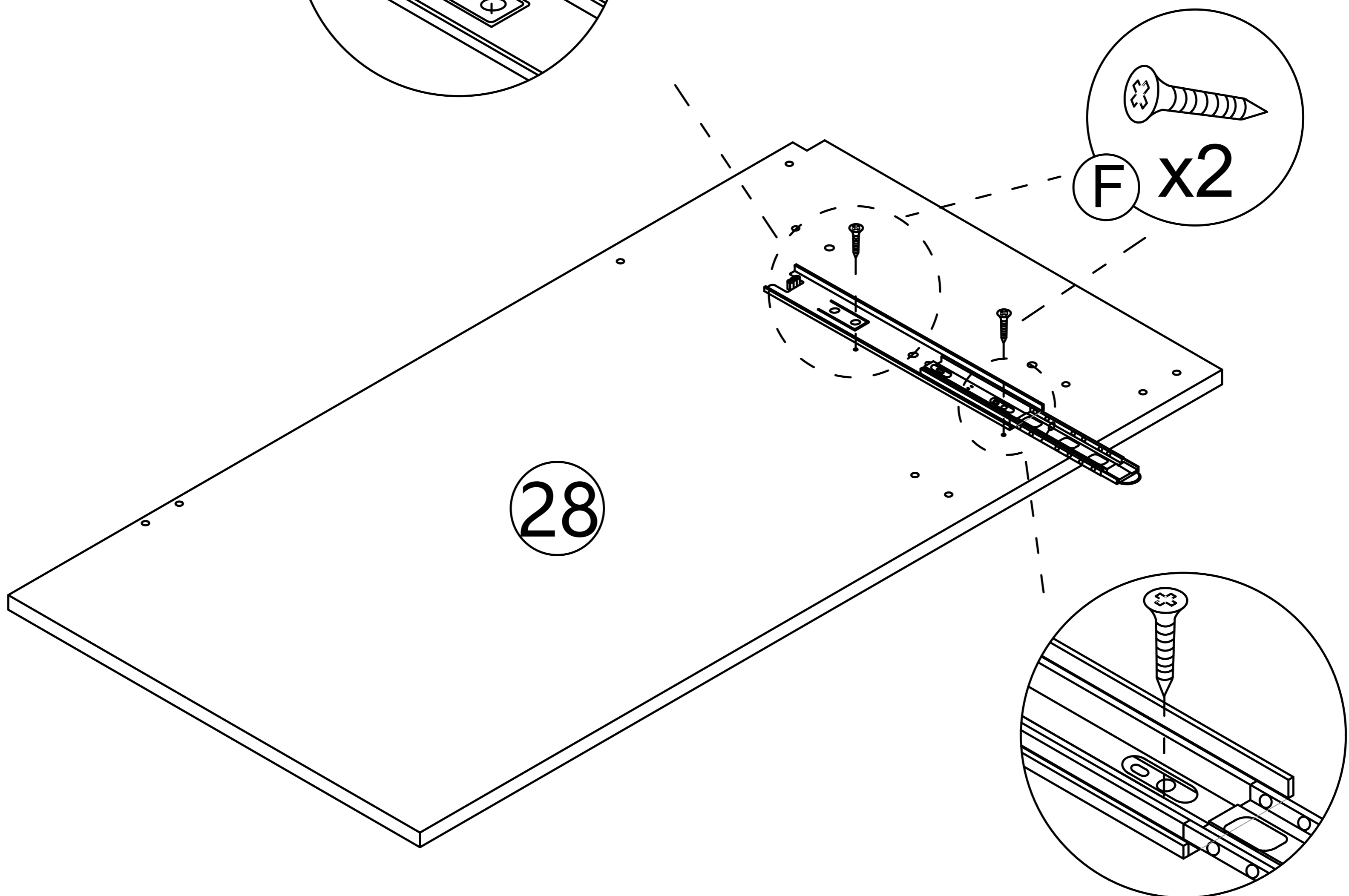
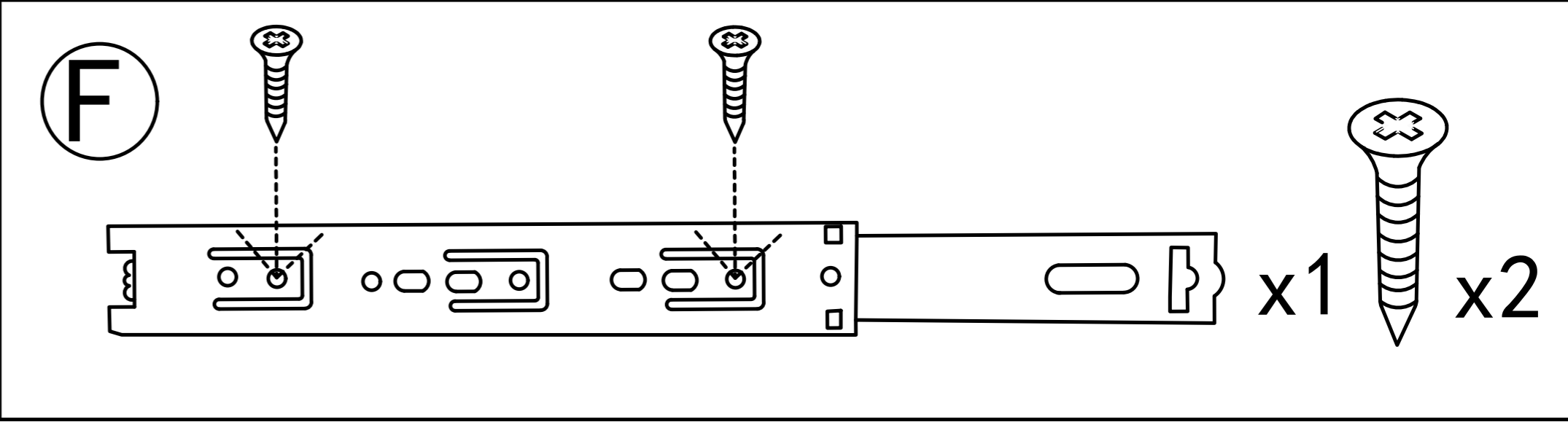
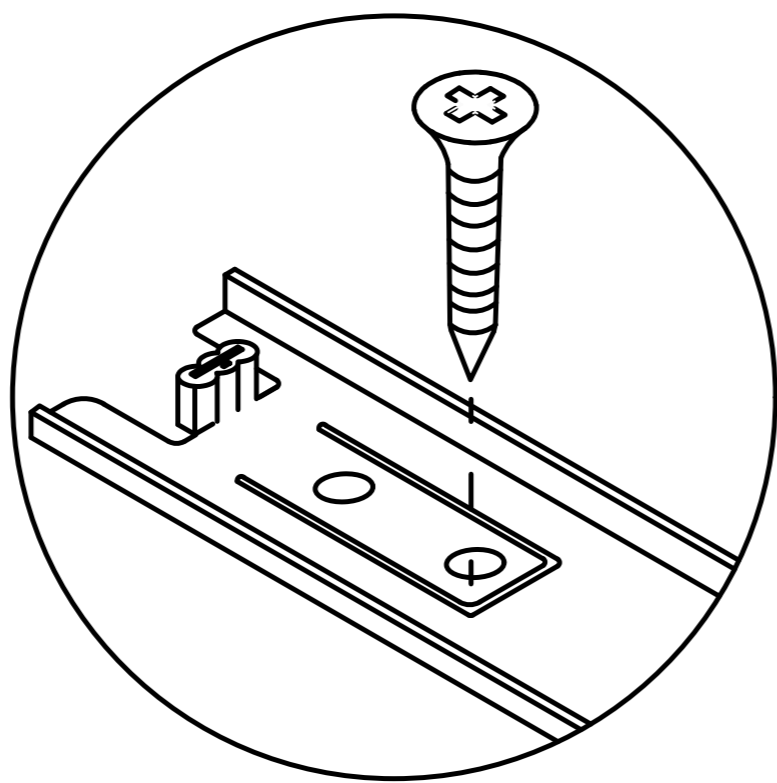
27  x2 **B**



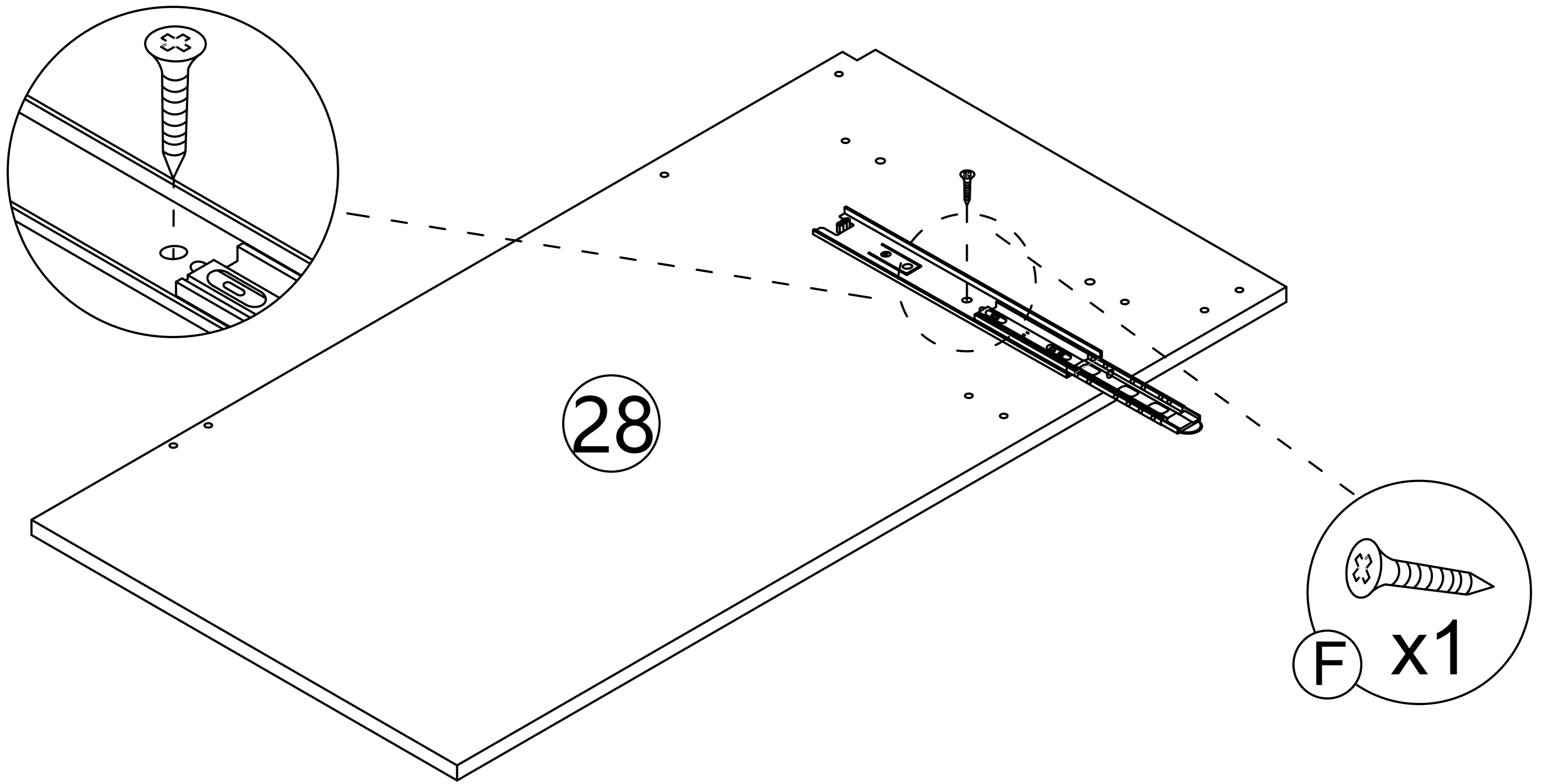
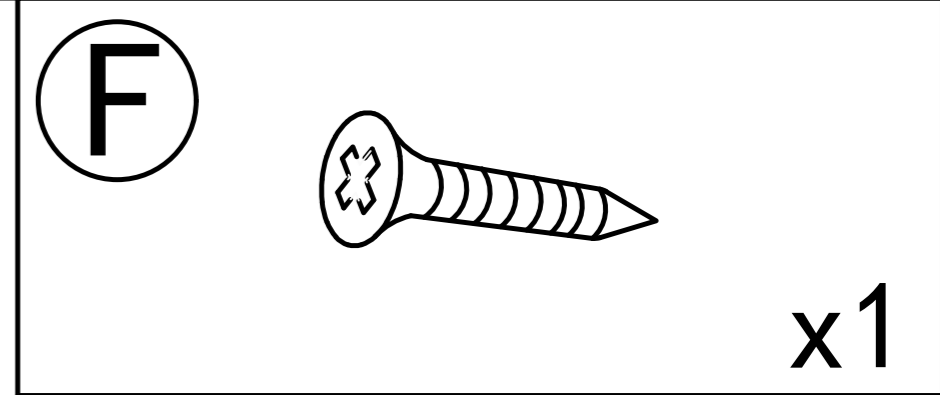
Step 61



Step 62

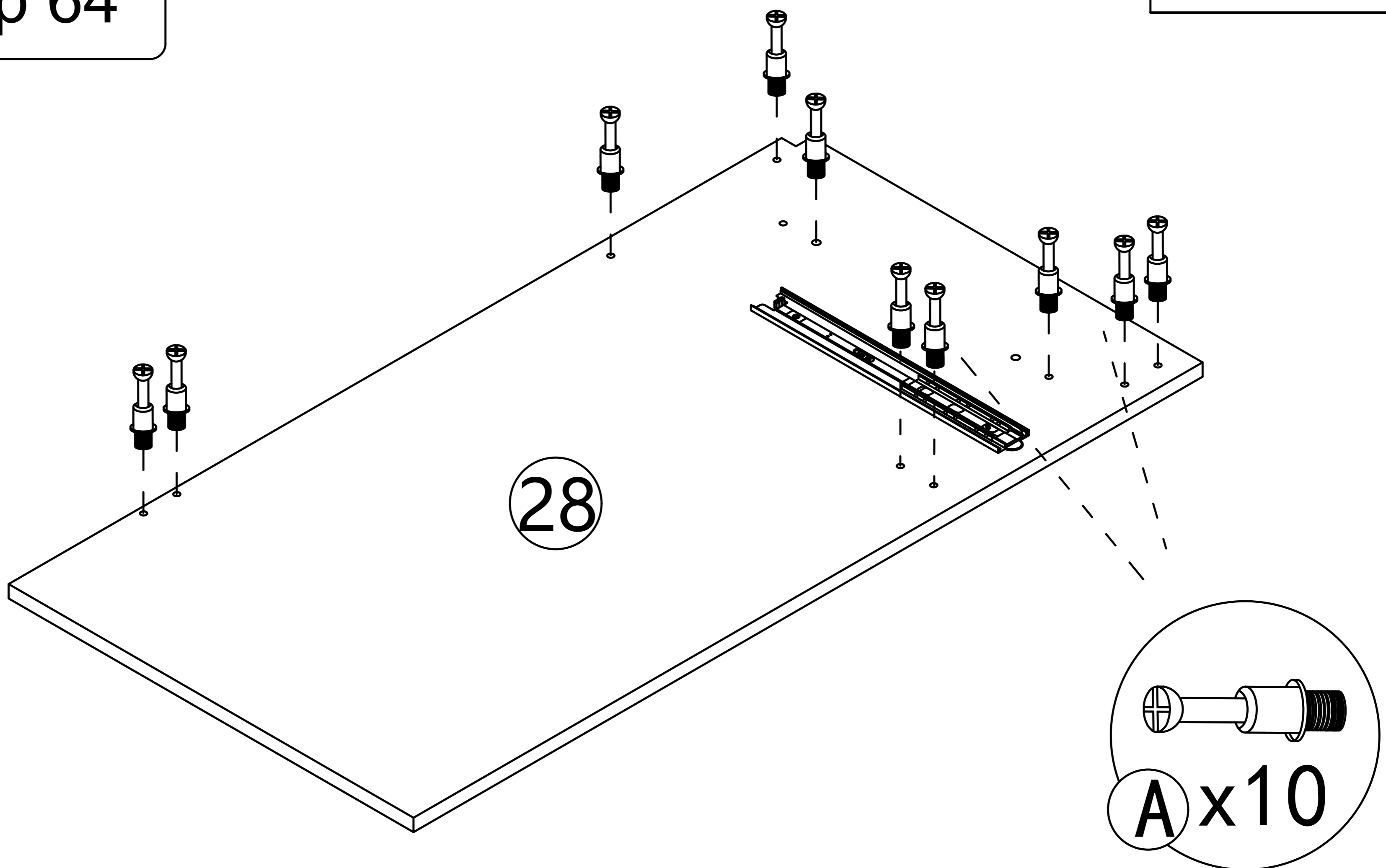
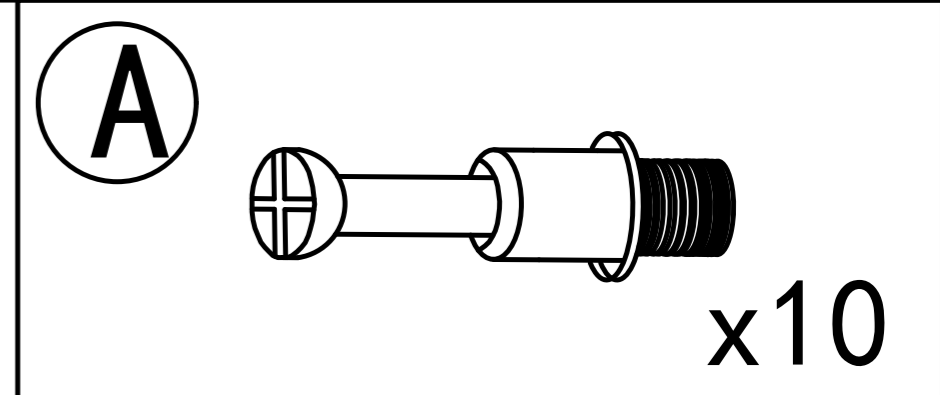


Step 63

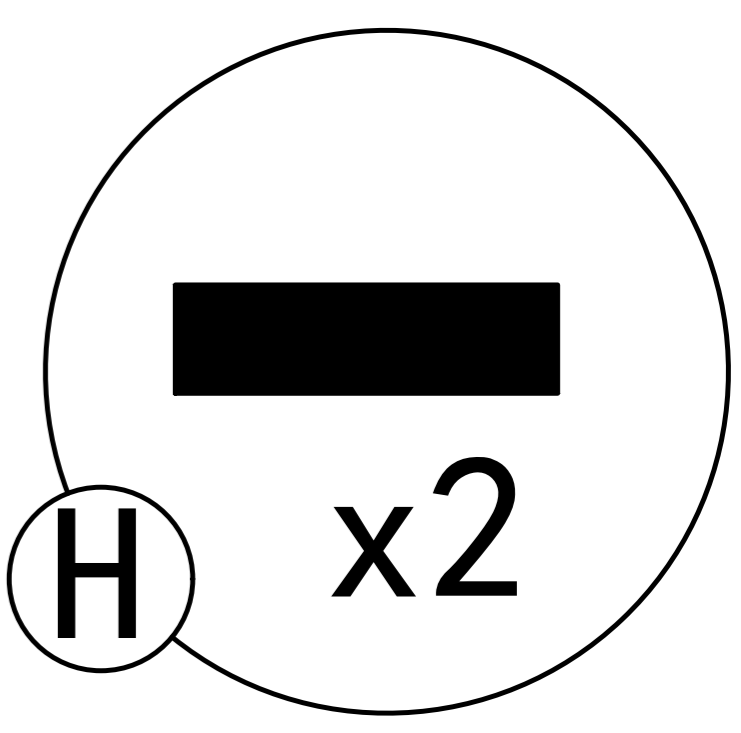
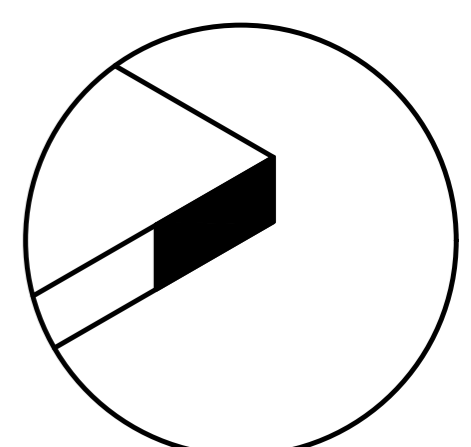
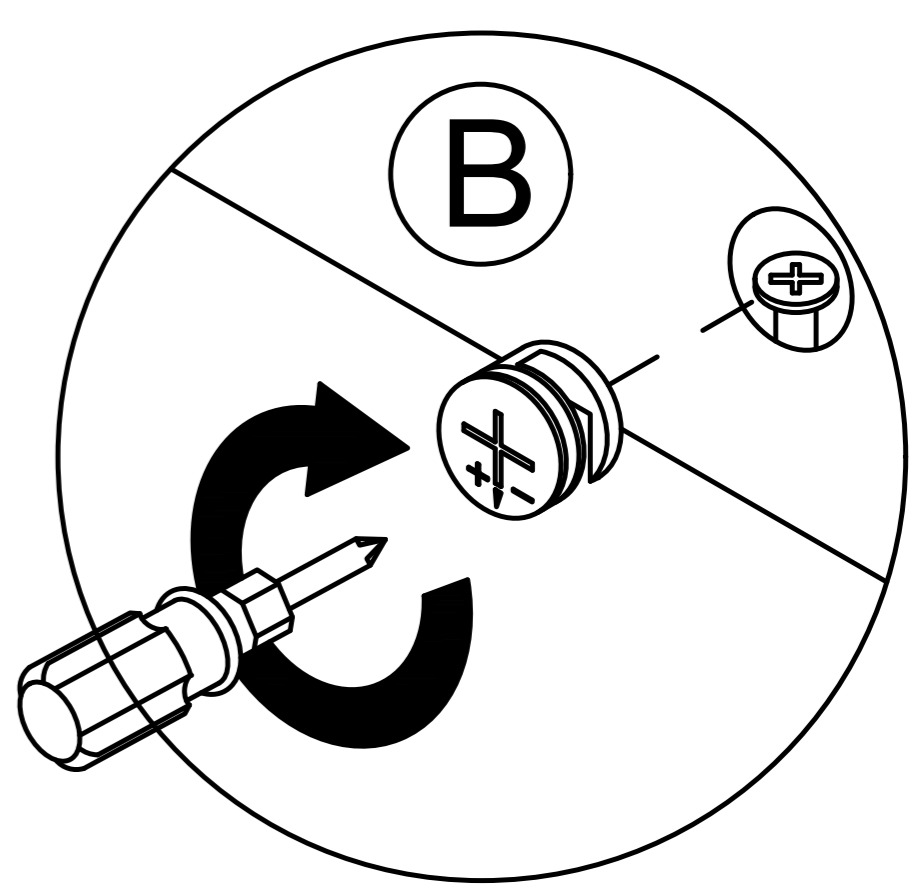
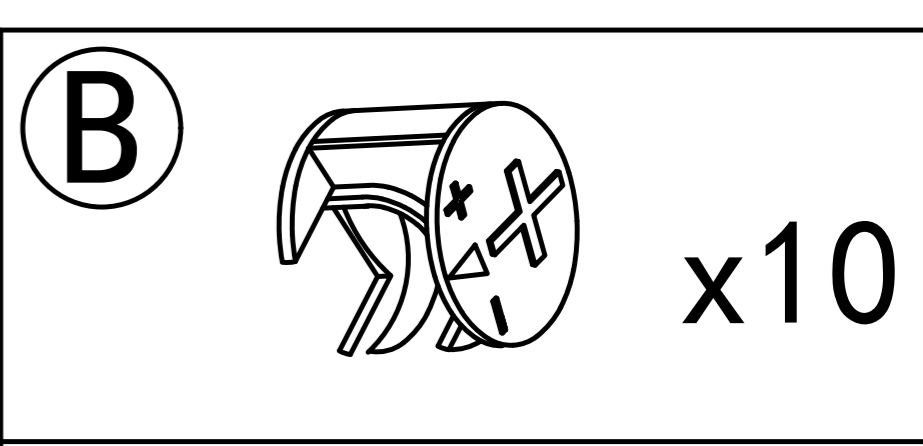
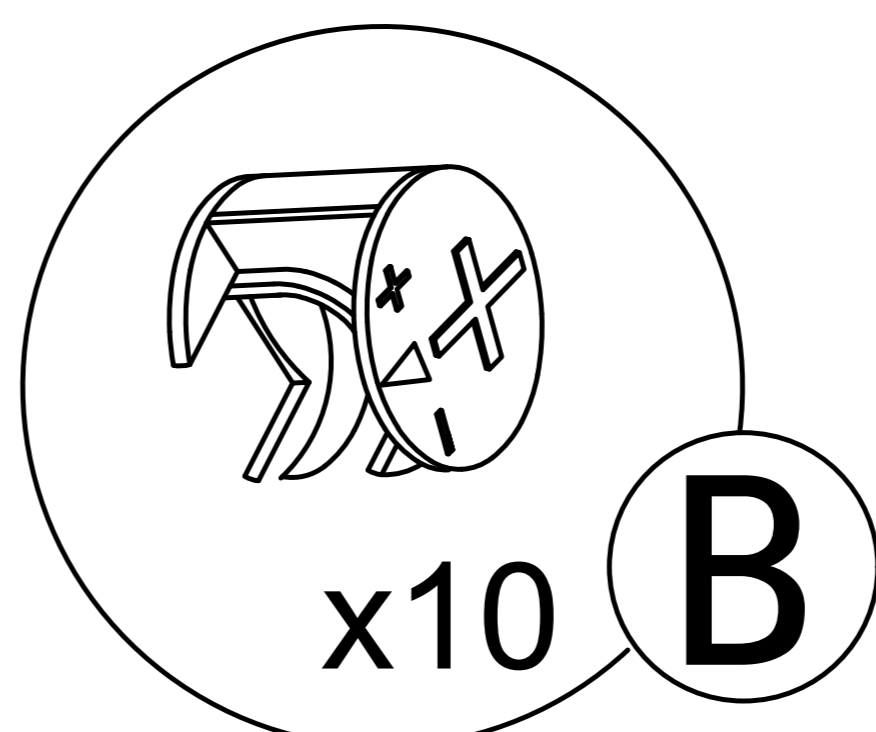
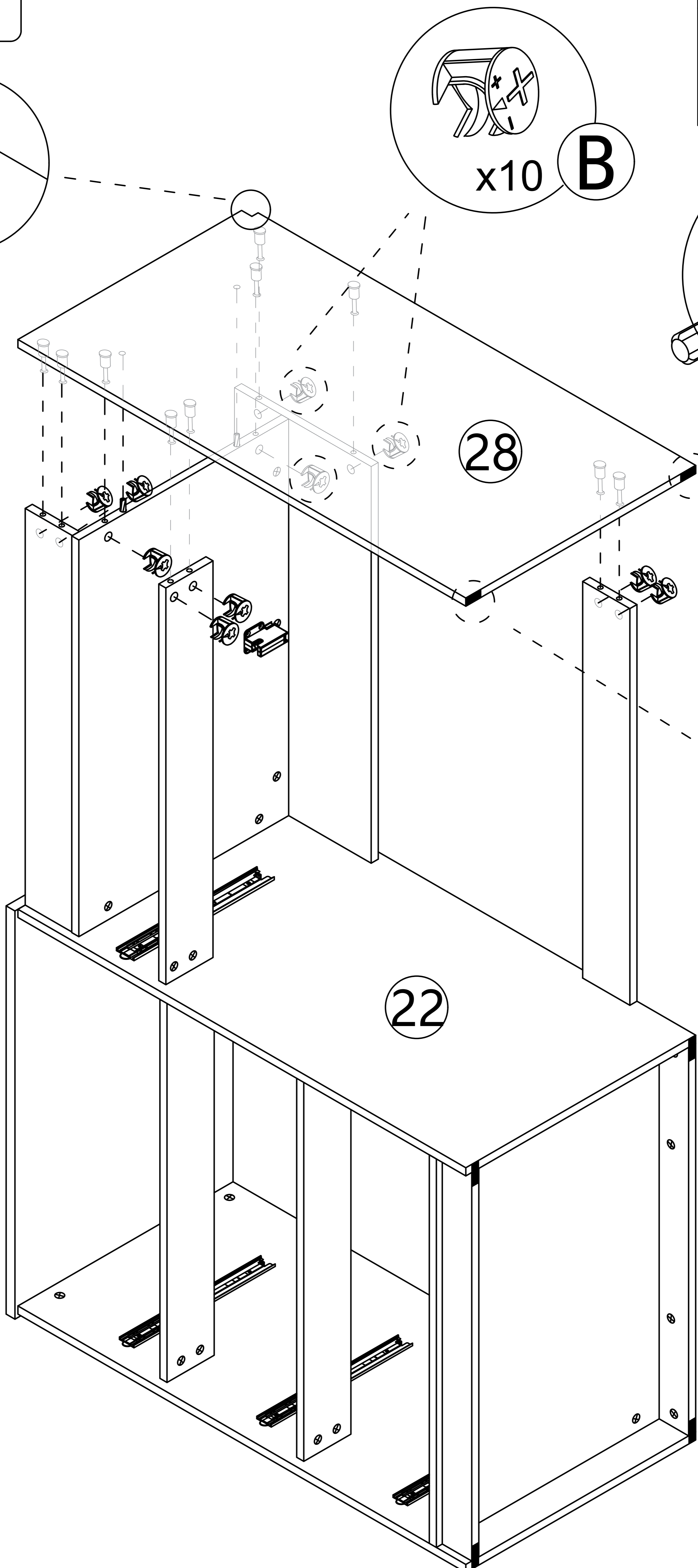
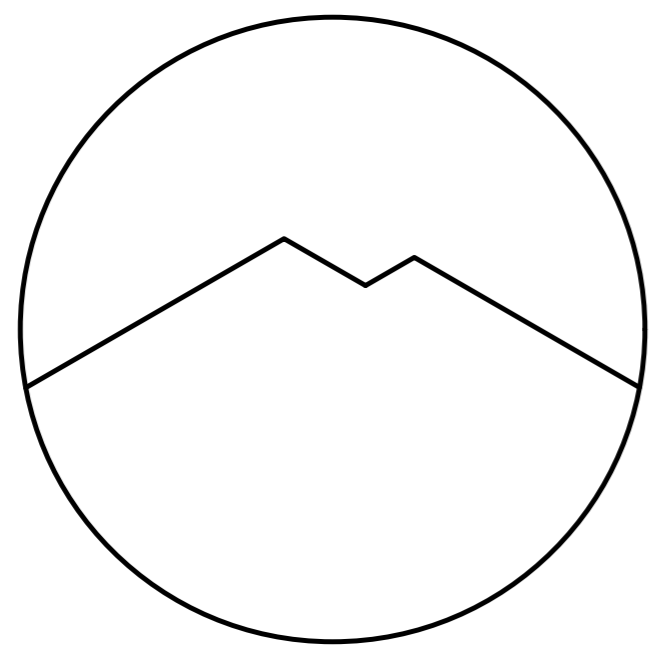


This hole is for strengthening fixed hole customers can choose to install according to their needs.

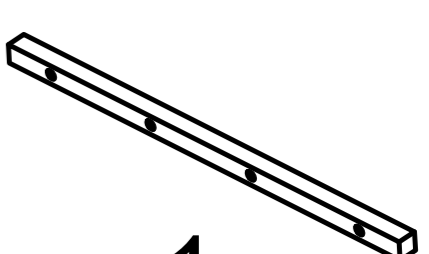
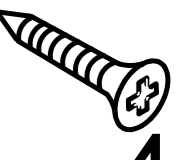
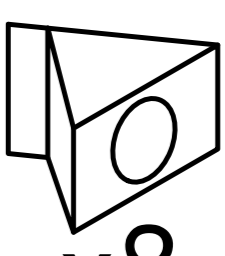

Step 64



Step 65



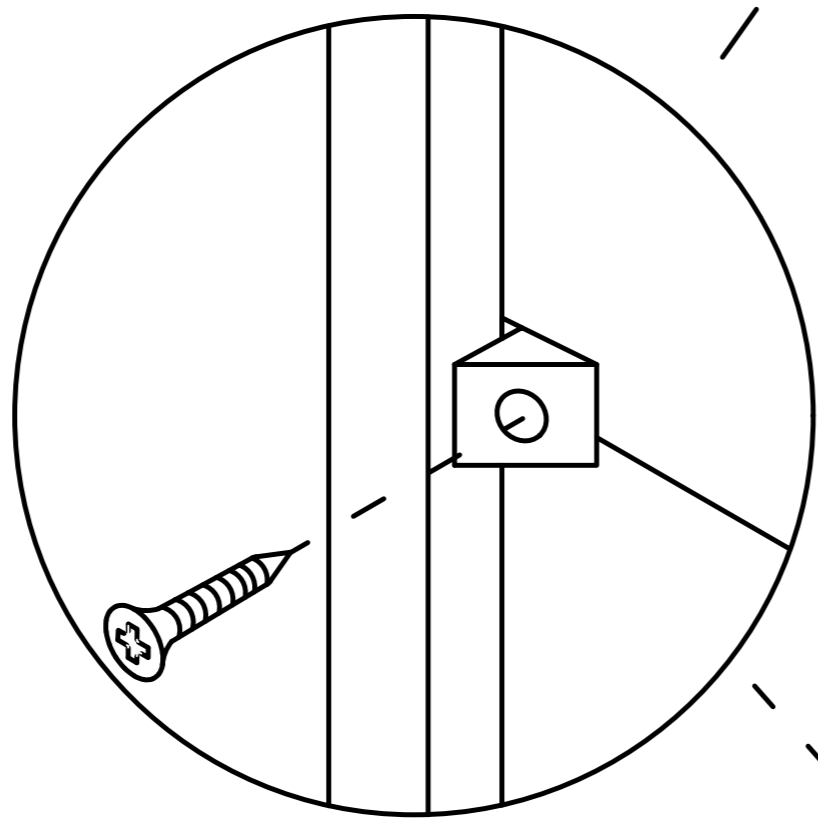
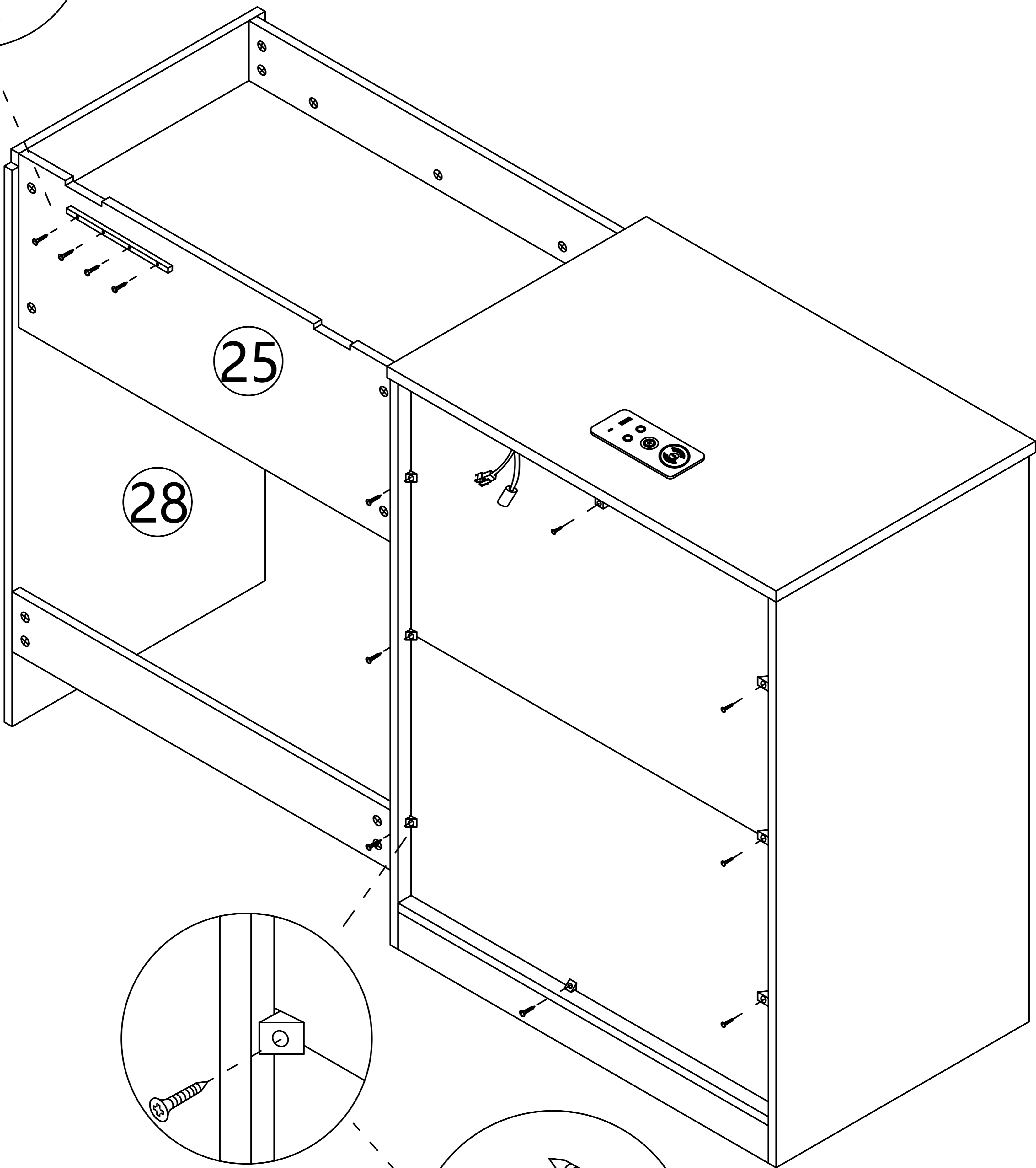
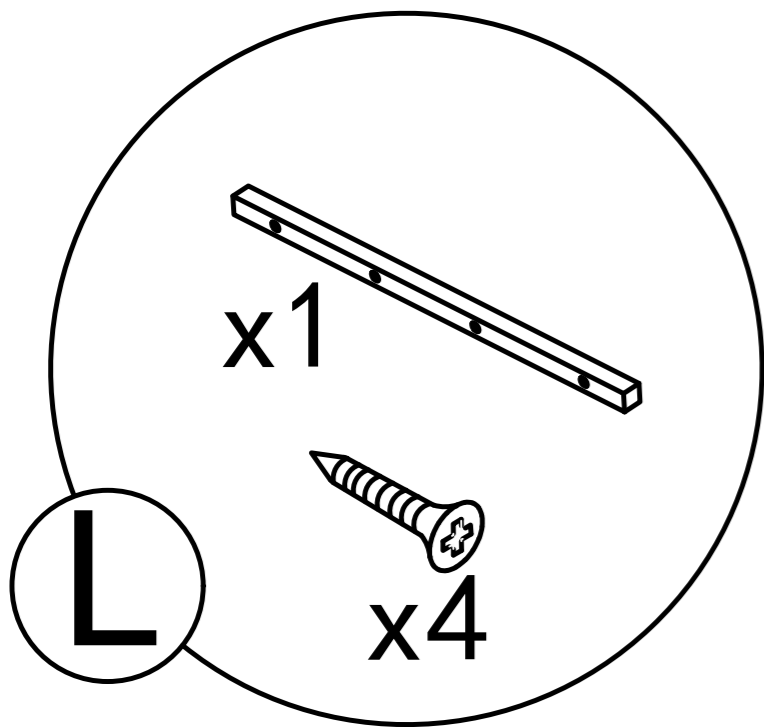
Step 66

L		
	x1	x4
M		
	x8	x8

L

x1

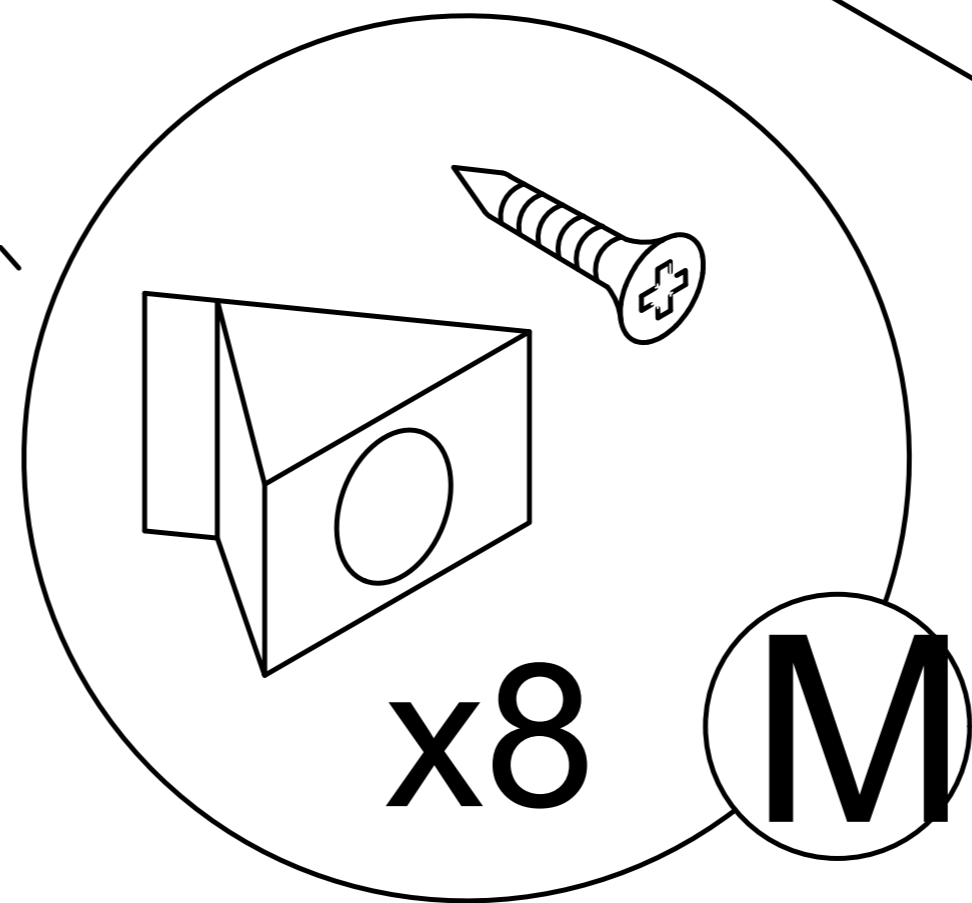
x4



This inset shows a triangular metal bracket (part M) being secured to a vertical panel with a screw.

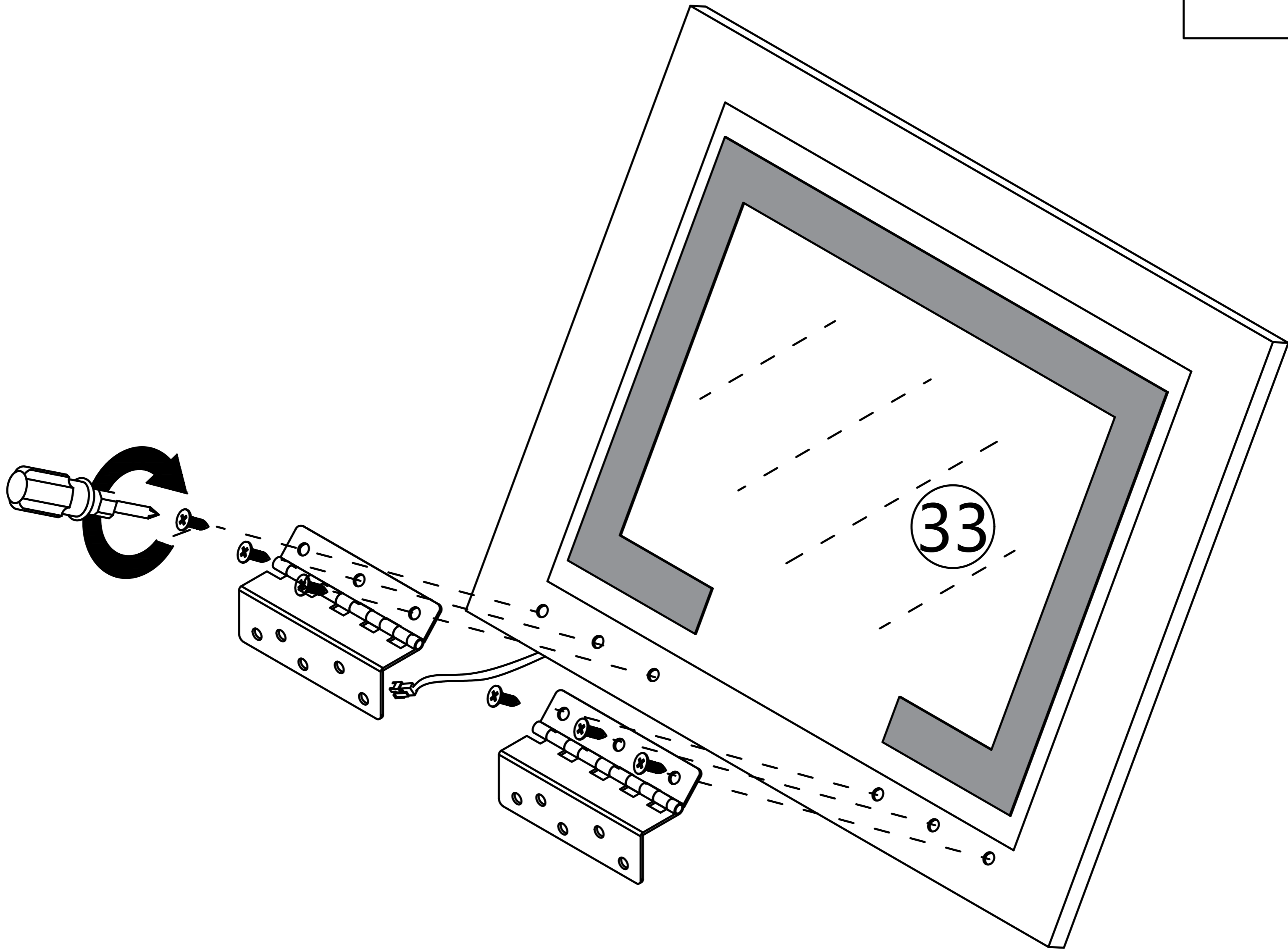
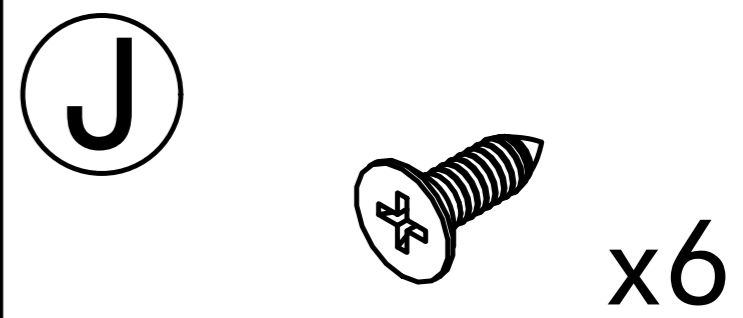
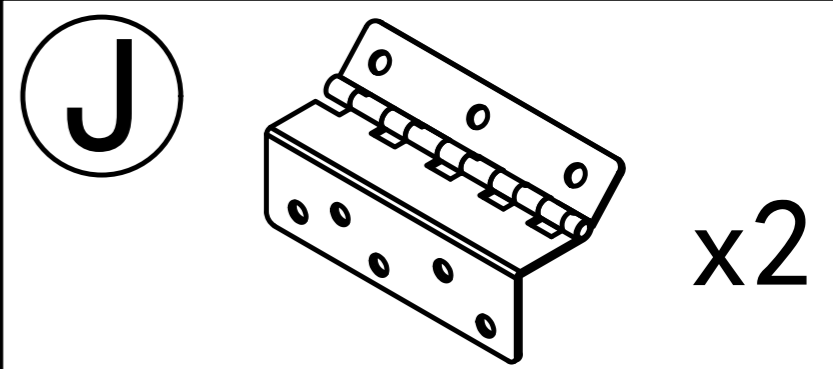
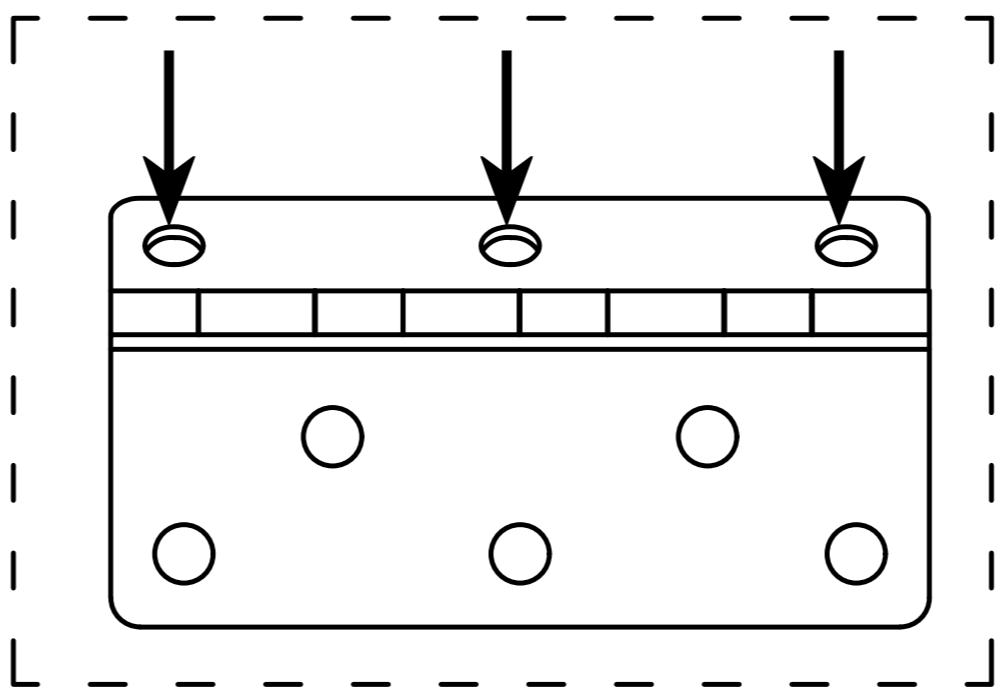
x8

M

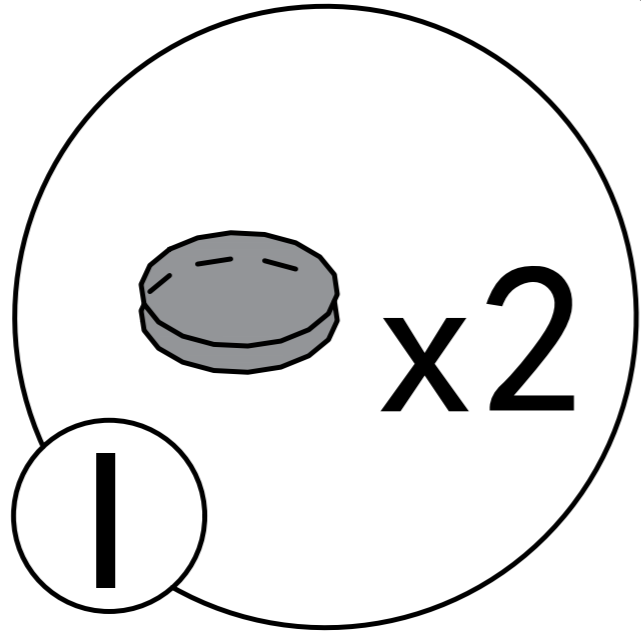
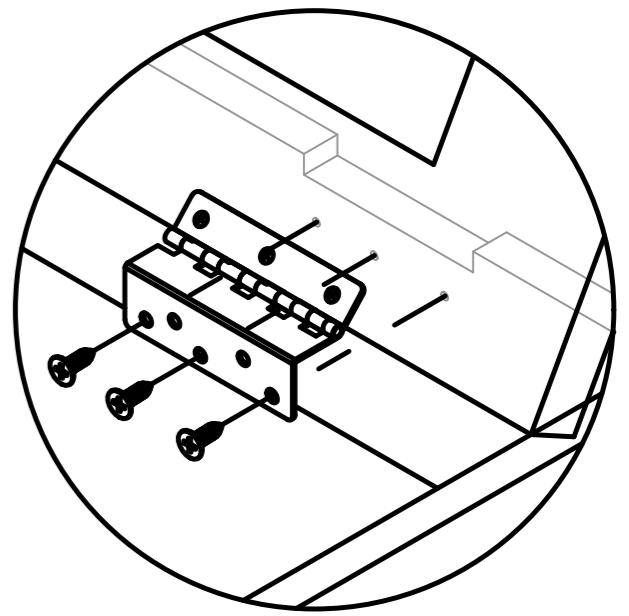
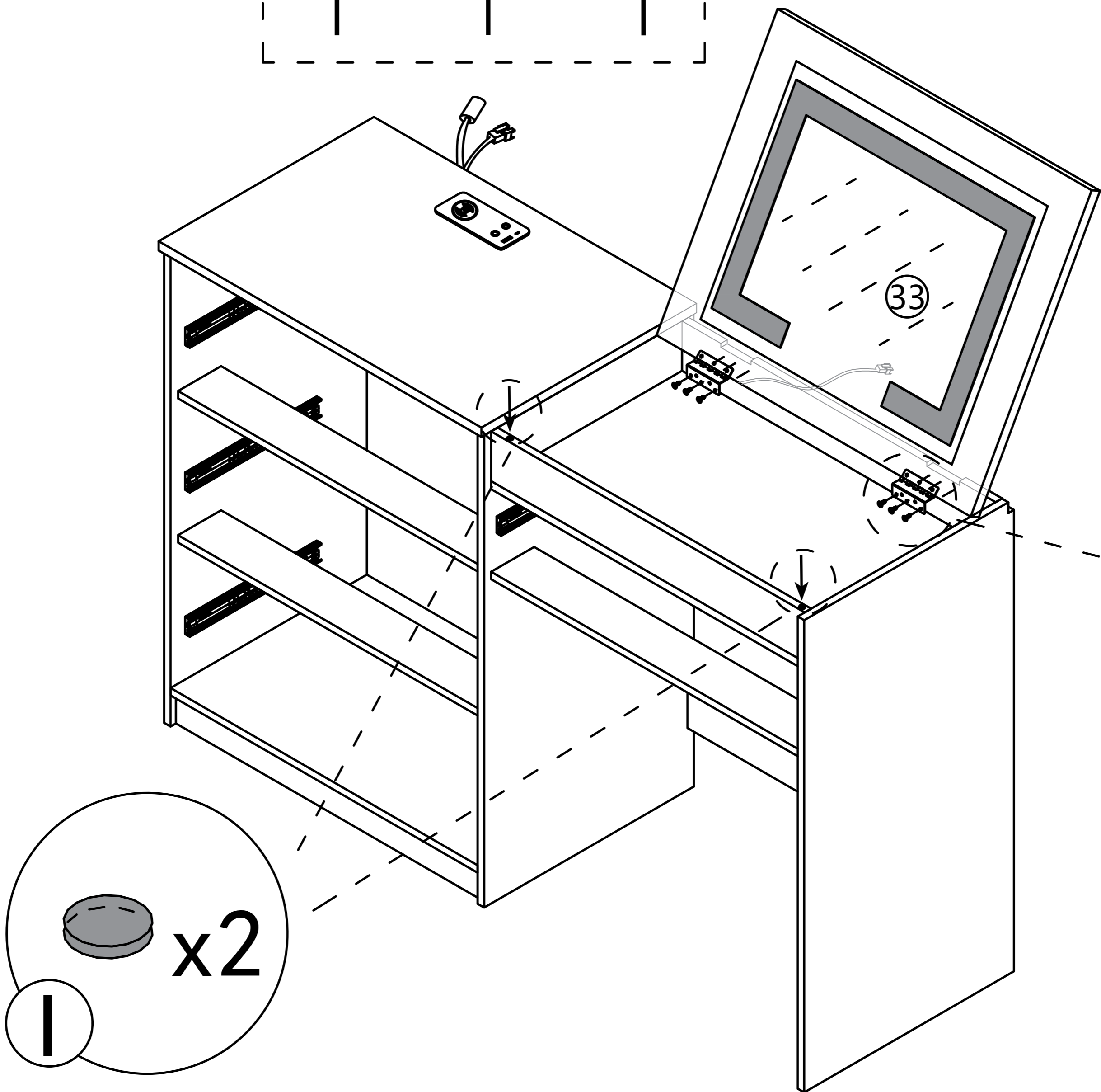
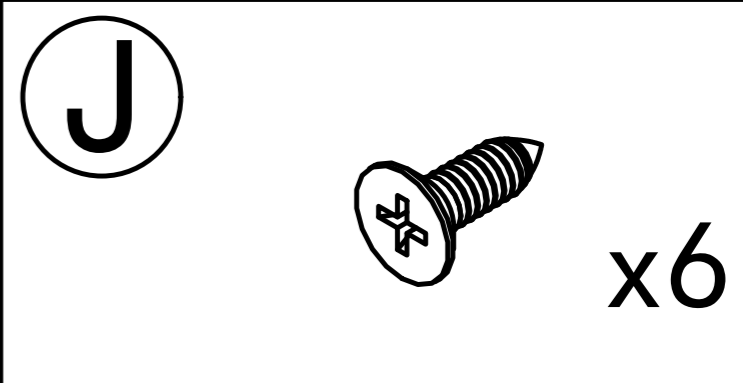
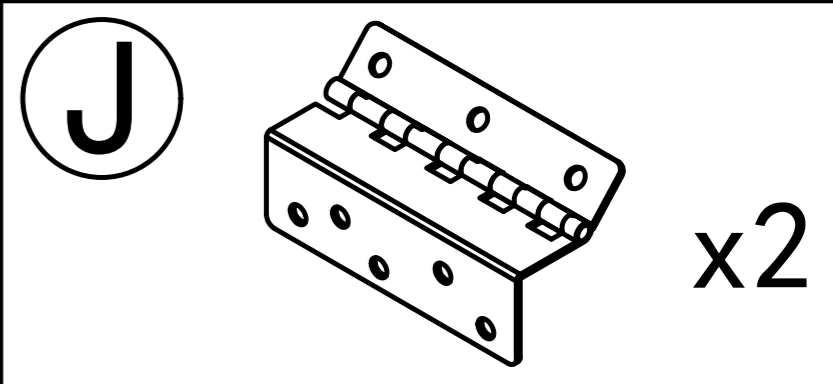
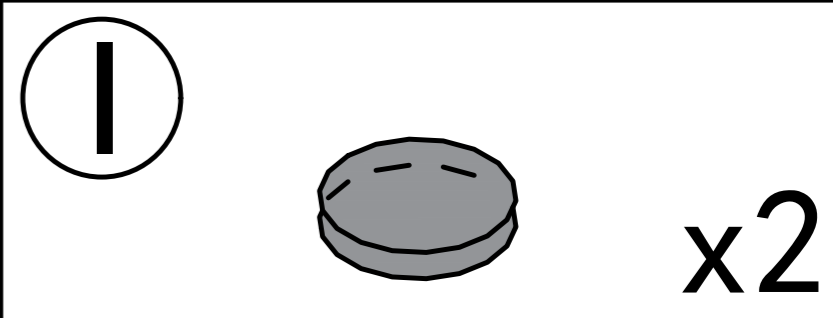
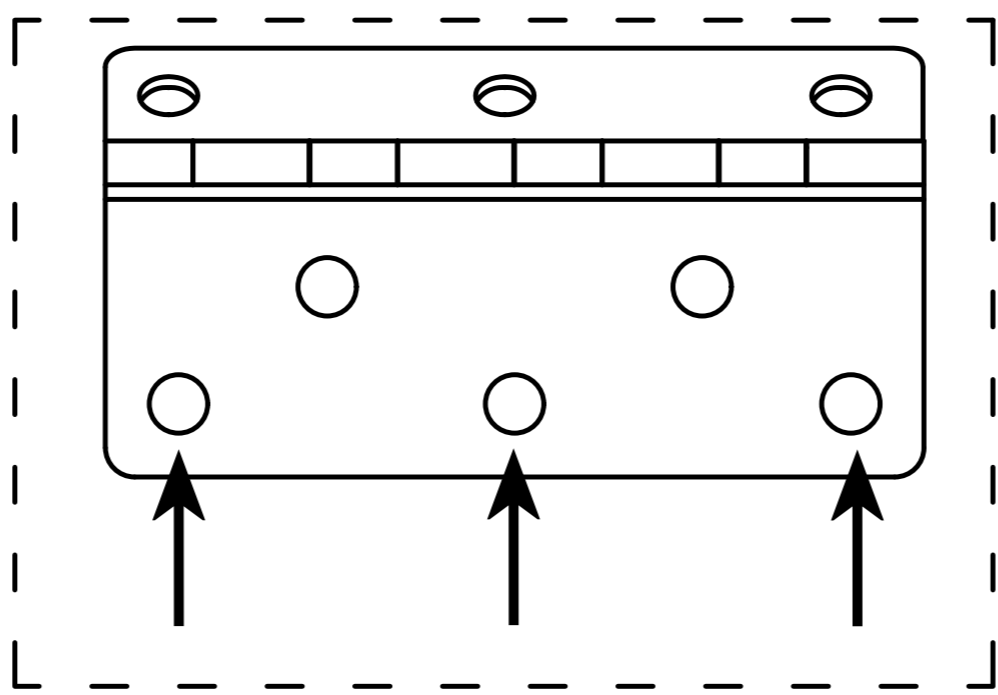


This inset shows a triangular metal bracket (part M) and a screw, with the quantity 'x8' and the part label 'M'.

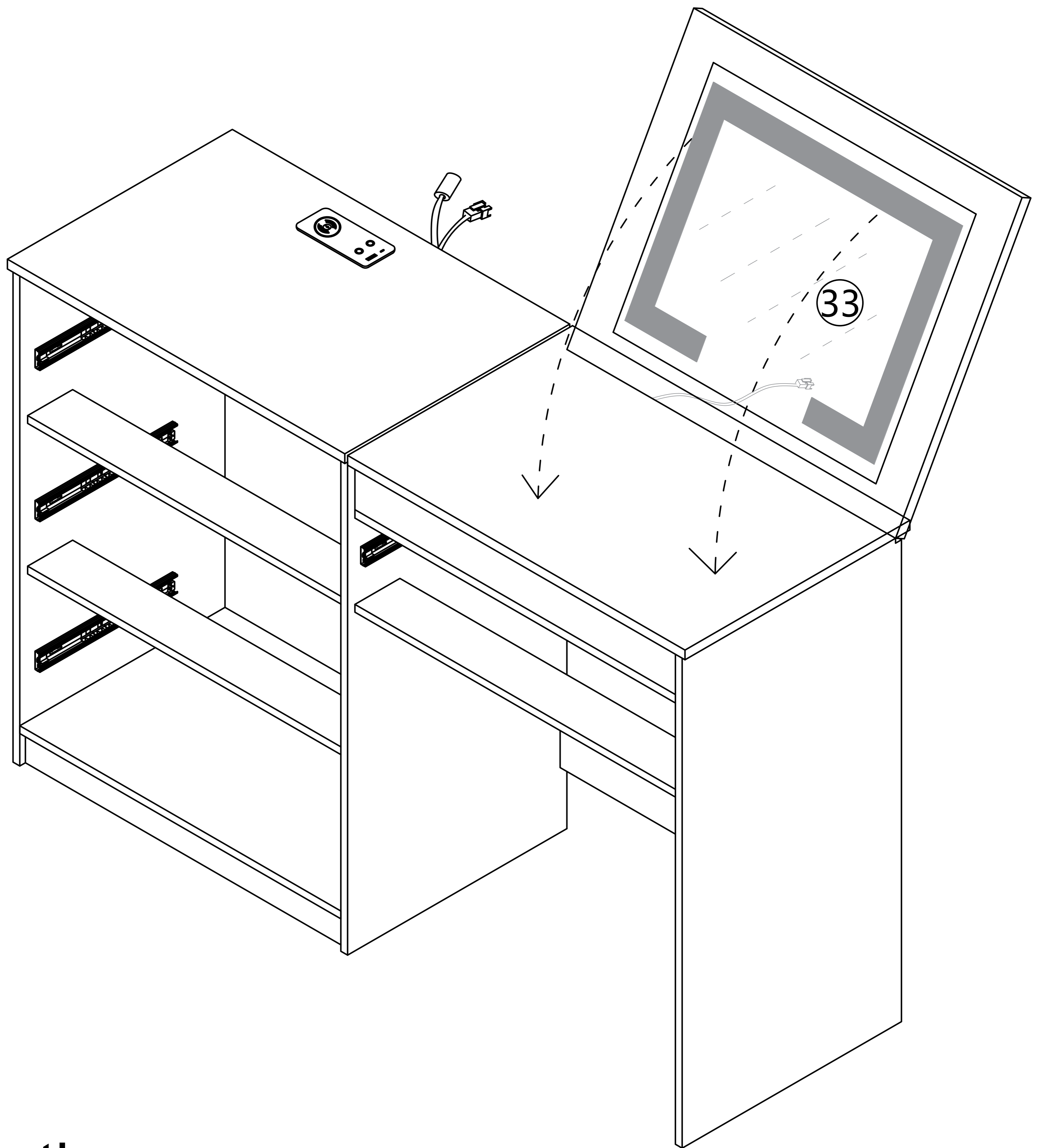
Step 67



Step 68



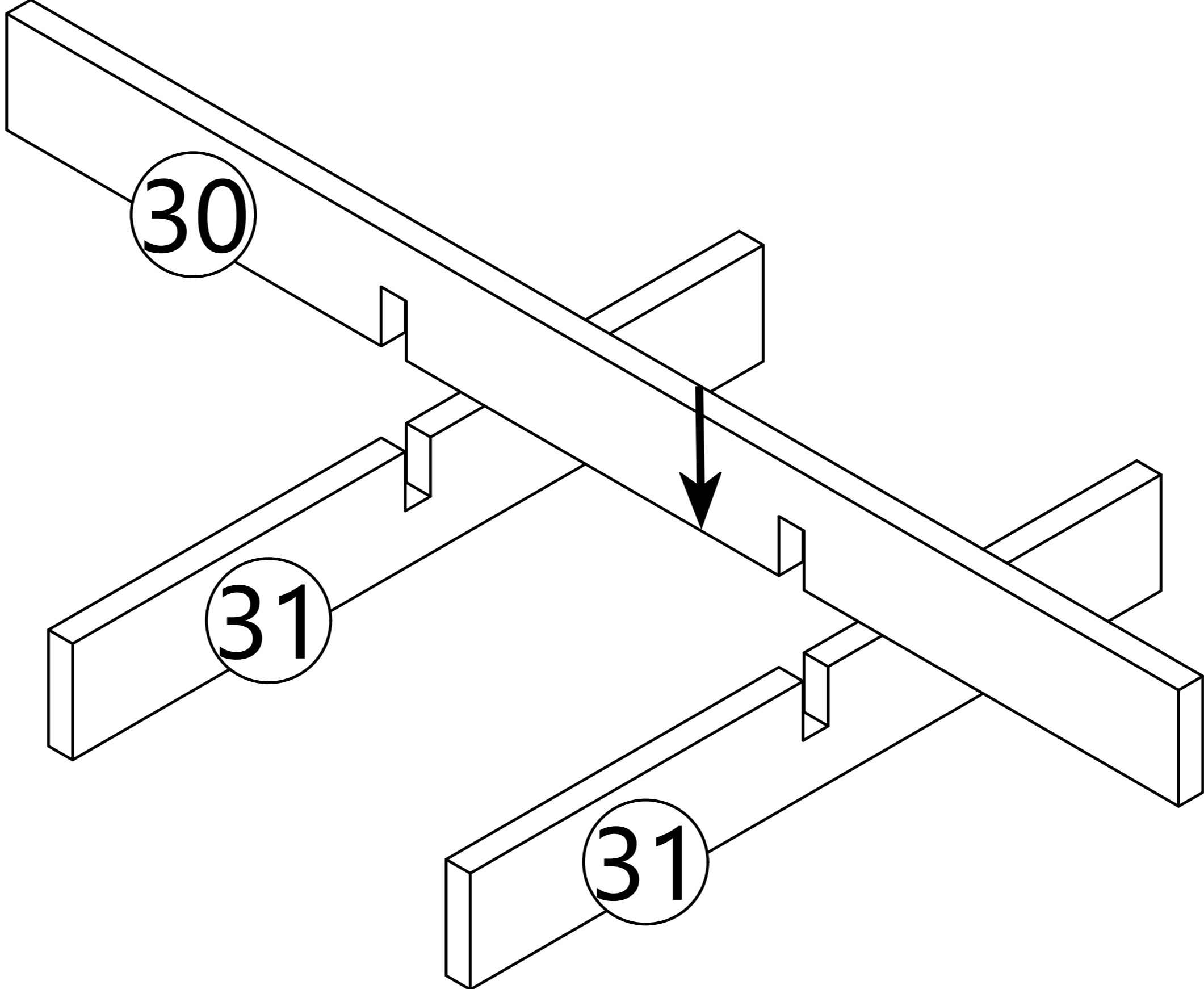
Step 69



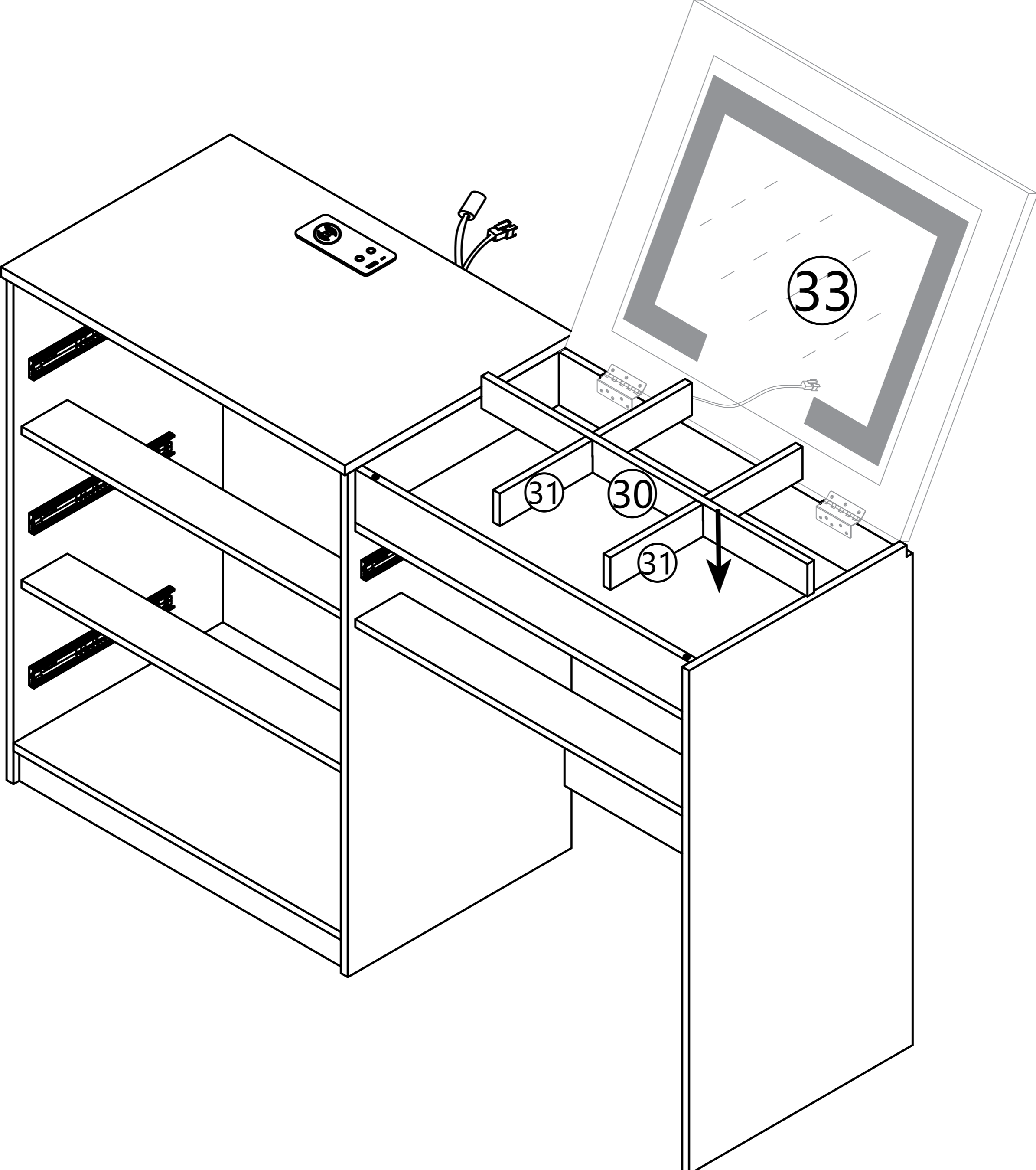
Attention:

1. Please gently close the mirror panel
2. After installing the mirror panel you need to check if you need to adjust the position slightly

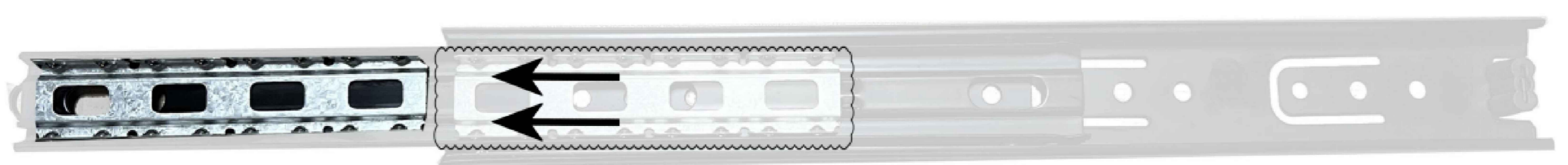
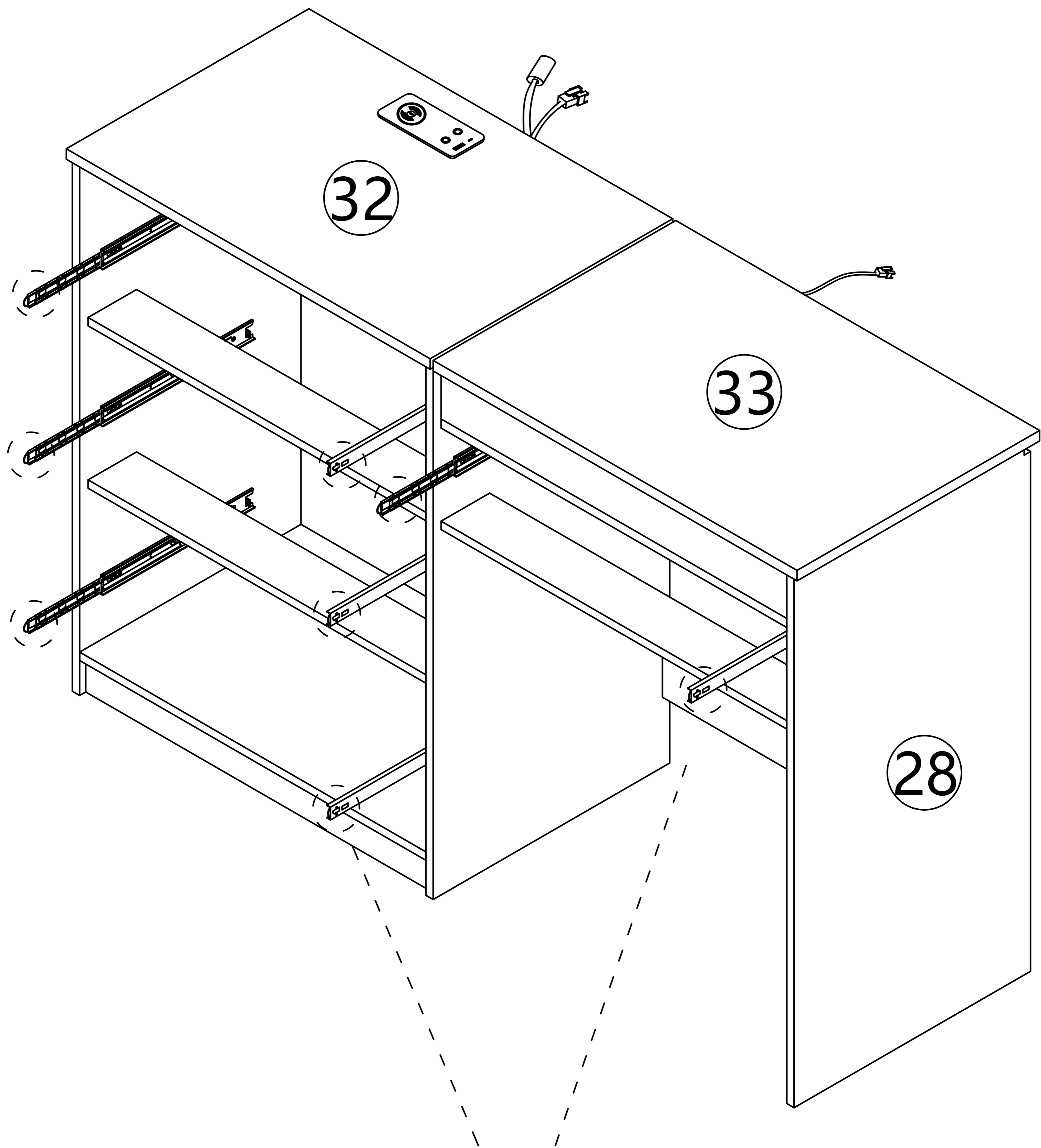
Step 70



Step 71

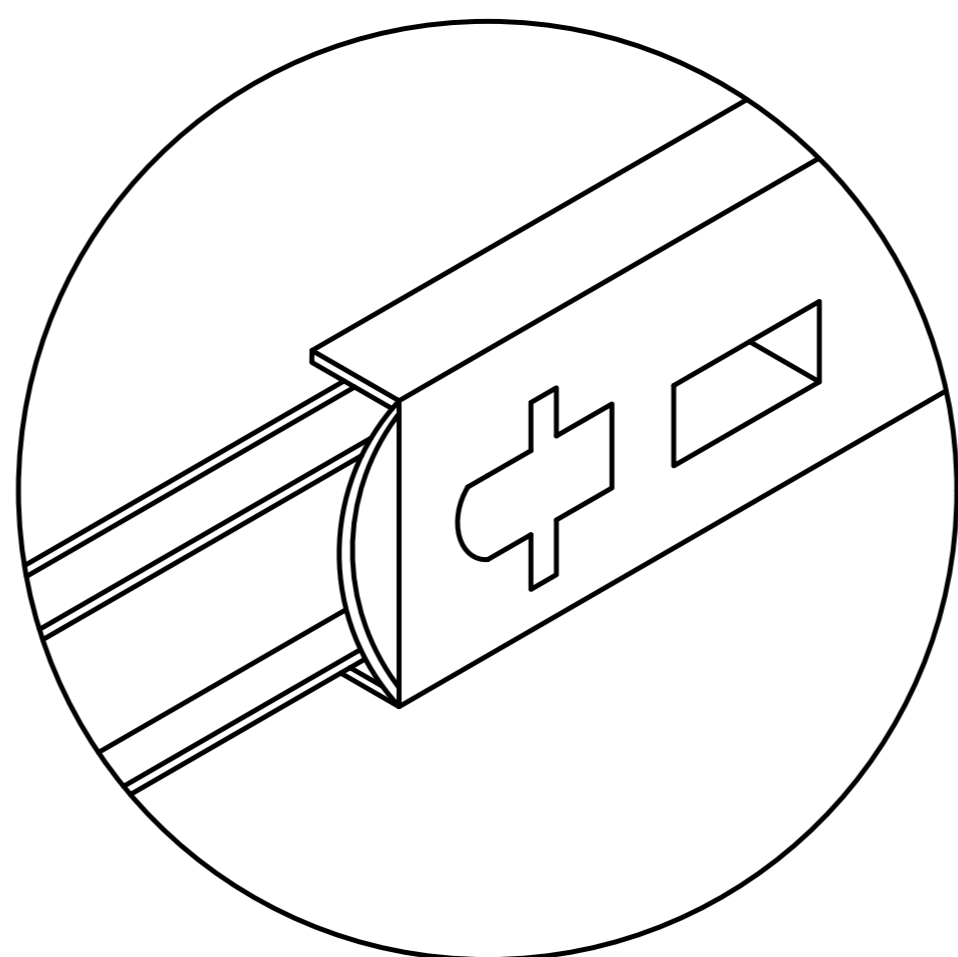
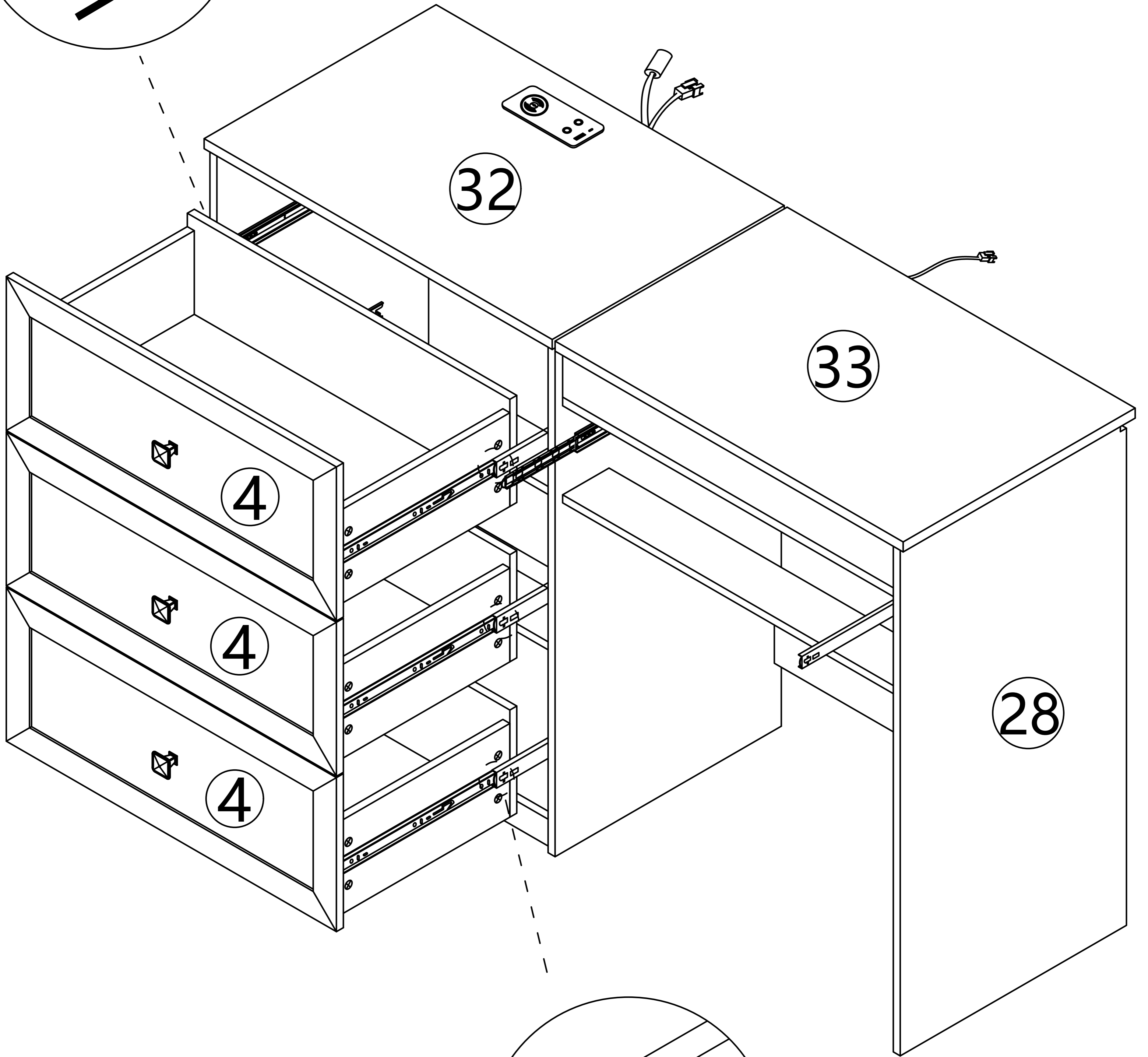
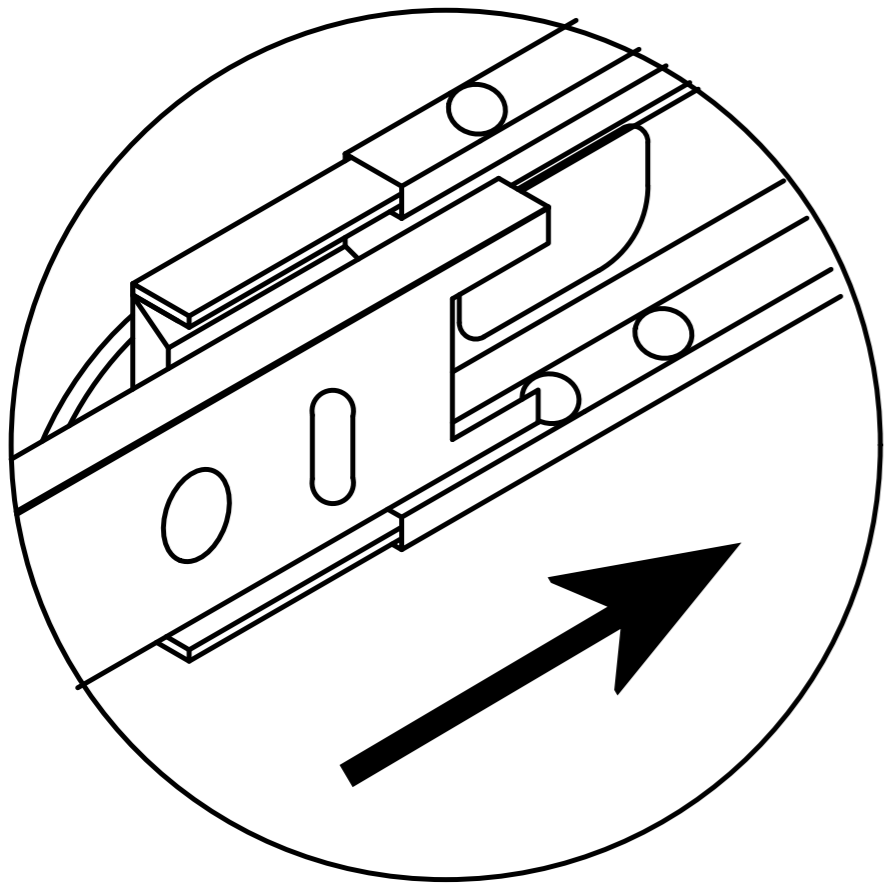


Step 72

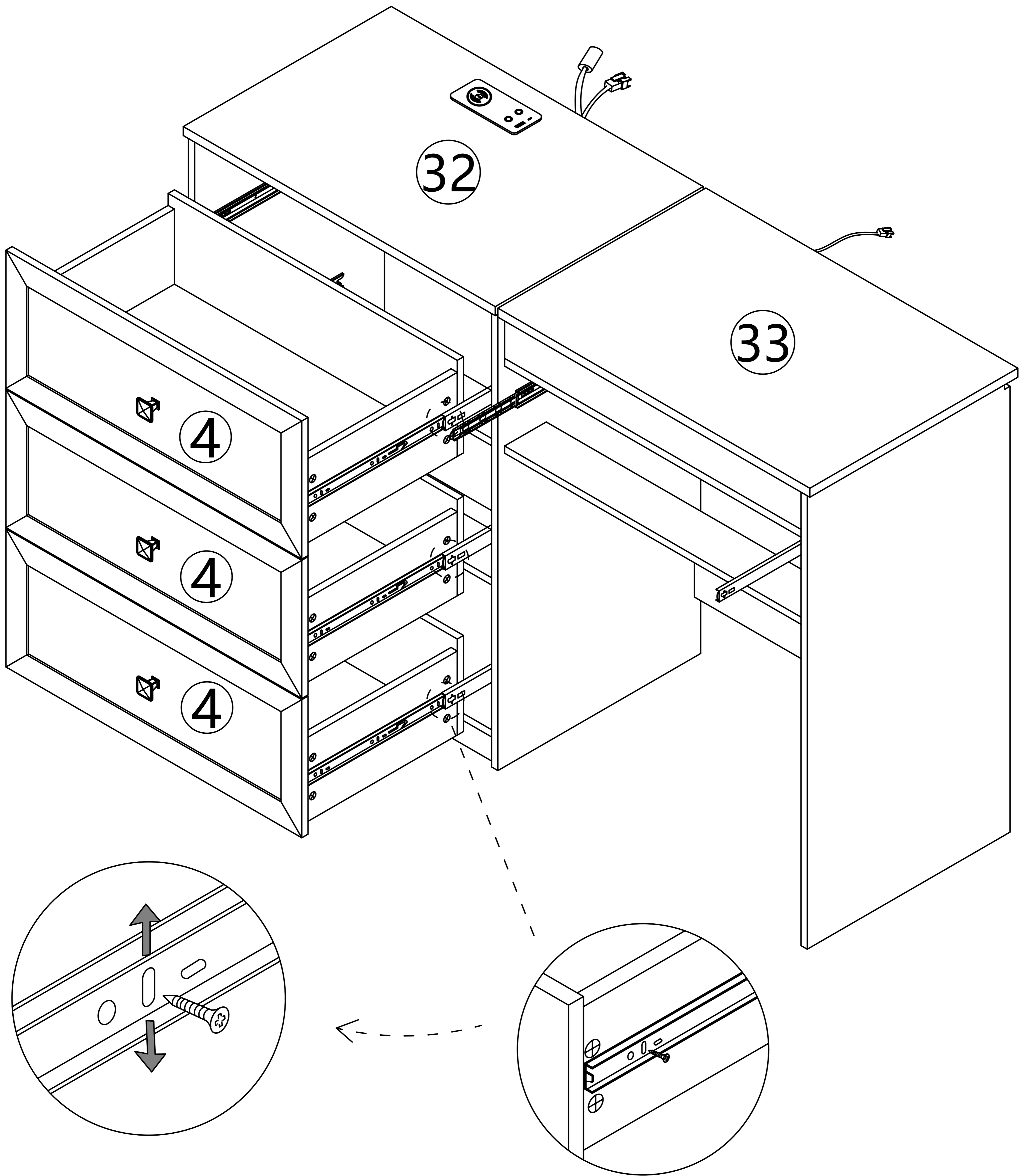


As shown, When installing the drawer, pull the guide rail out first, Slide beads are also pulled out.

Step 73

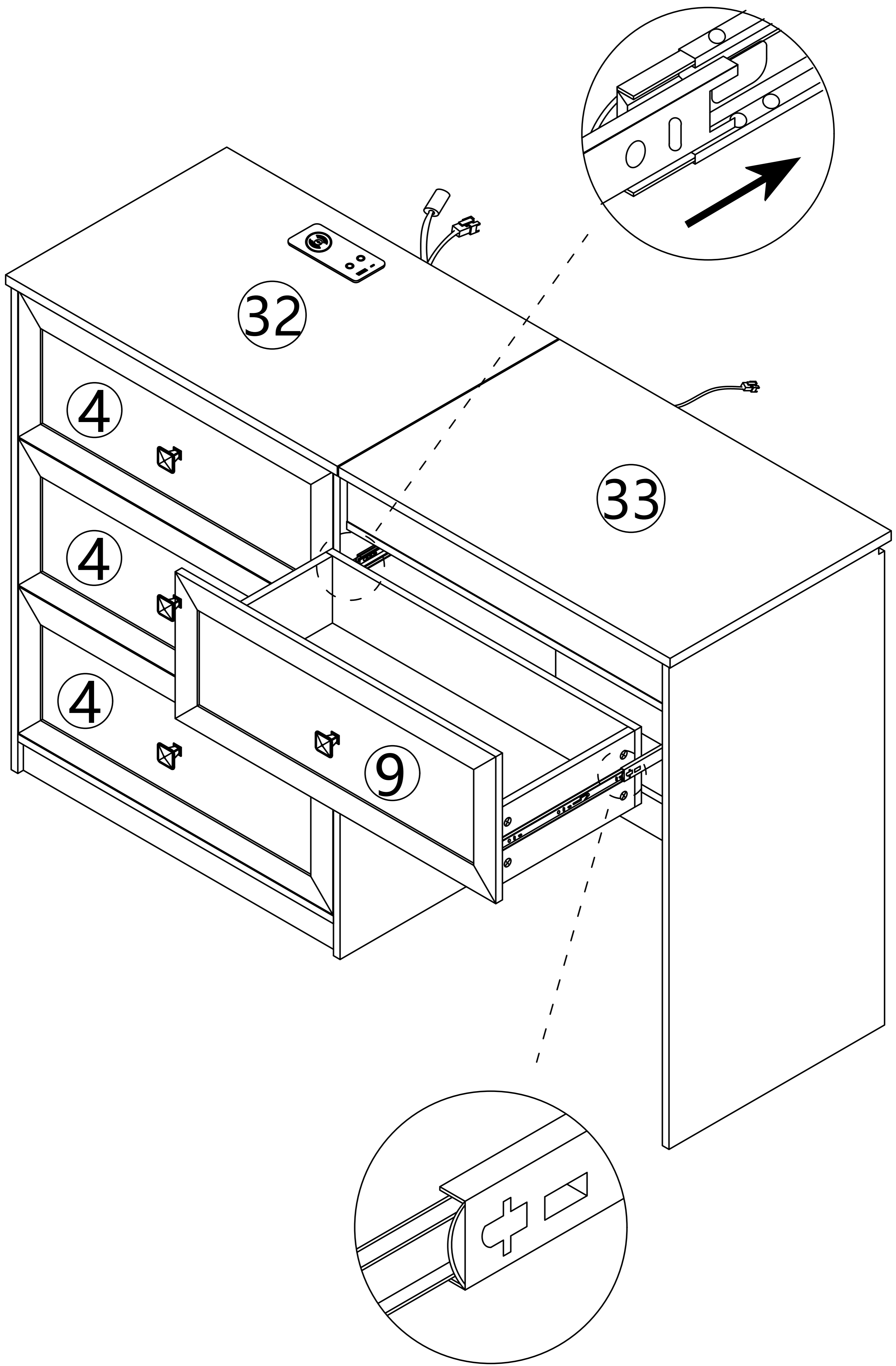


Step 74

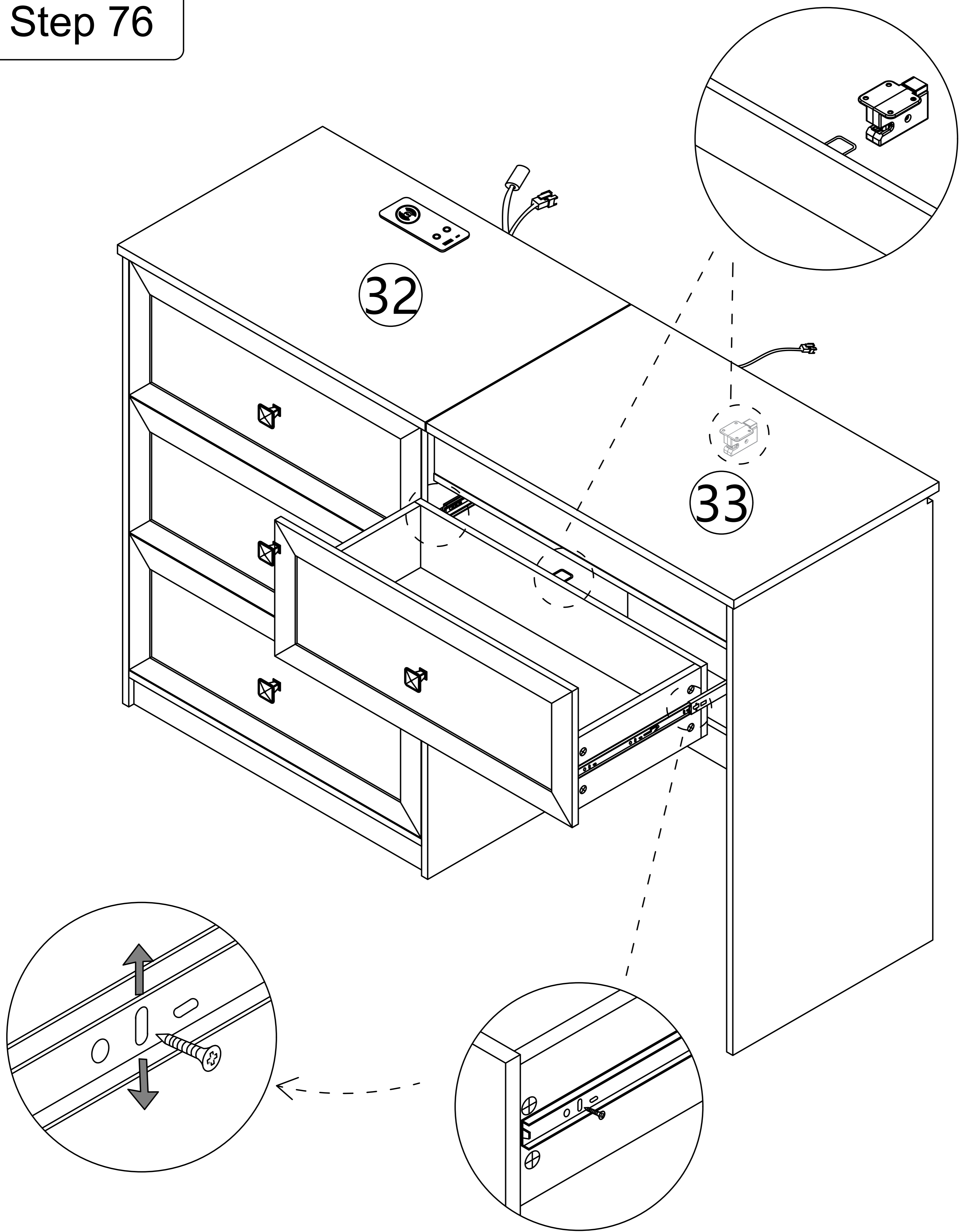


If a large gap is found after installing the drawer the slide rail can be moved up and down to adjust the gap

Step 75

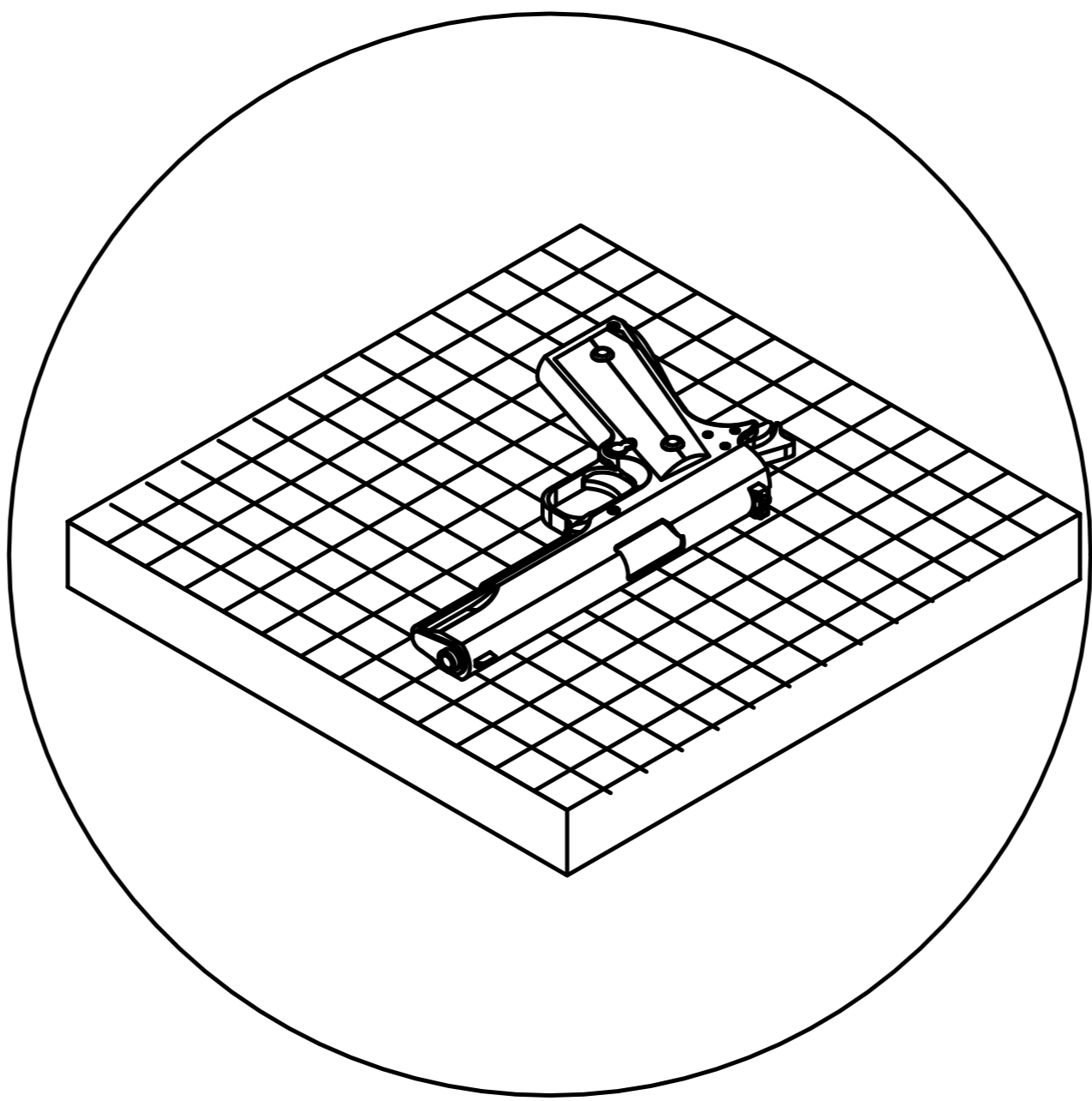
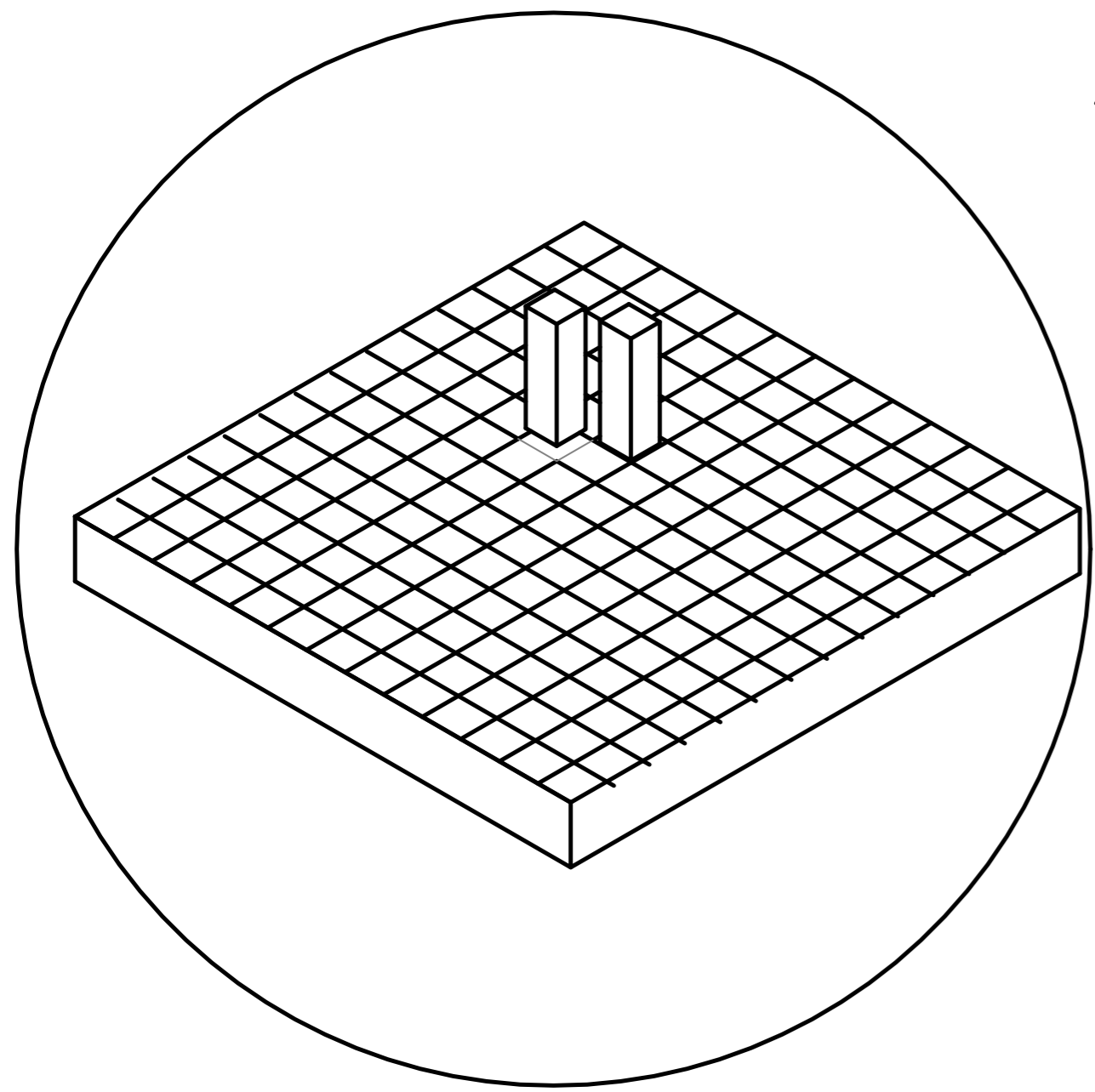
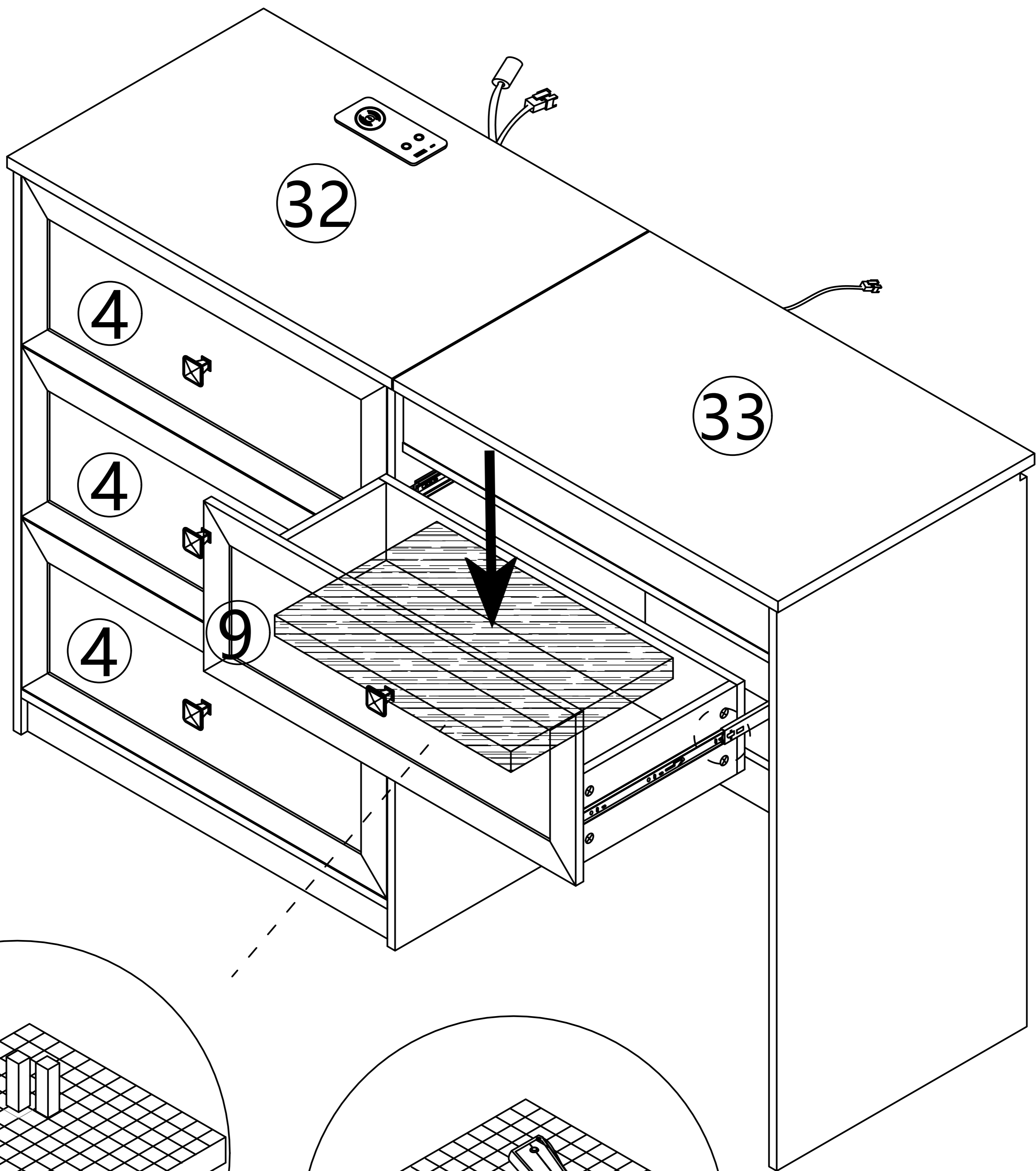


Step 76



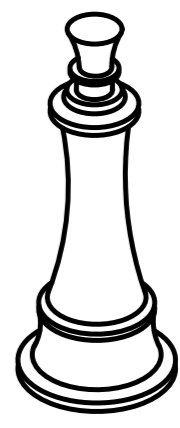
If a large gap is found after installing the drawer the slide rail can be moved up and down to adjust the gap

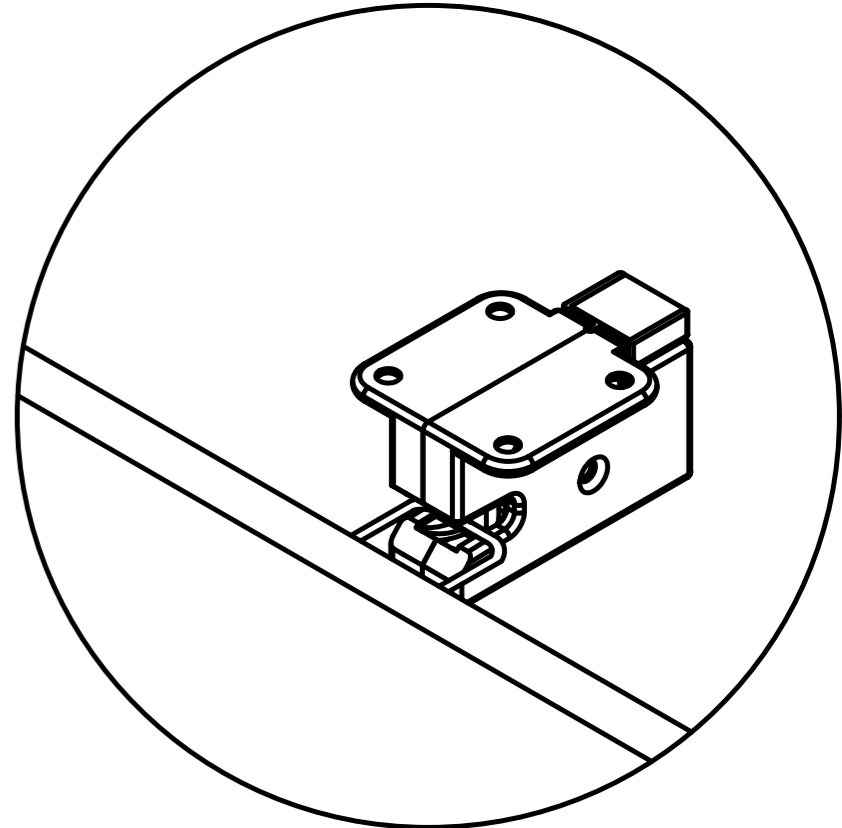
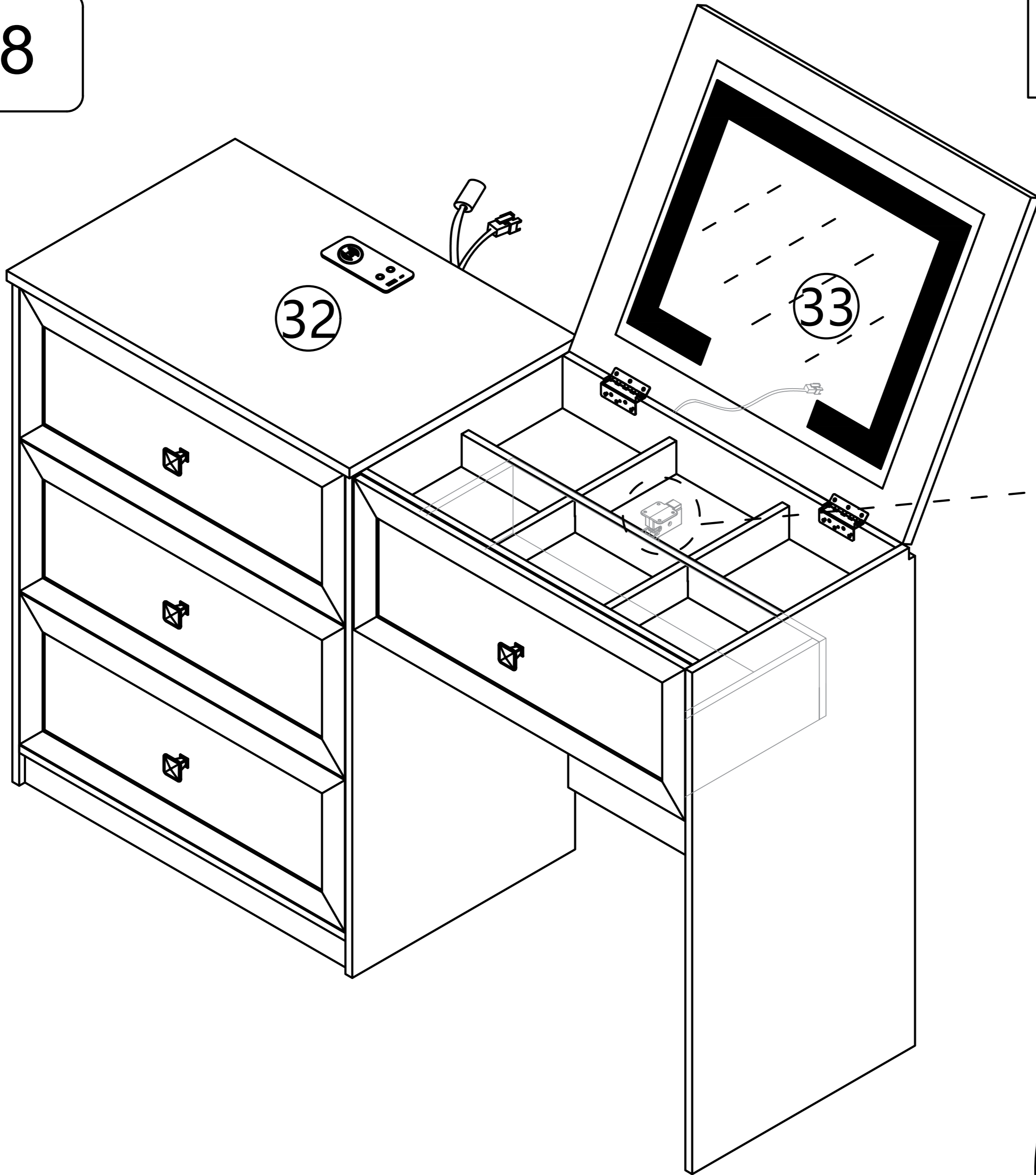
Step 77



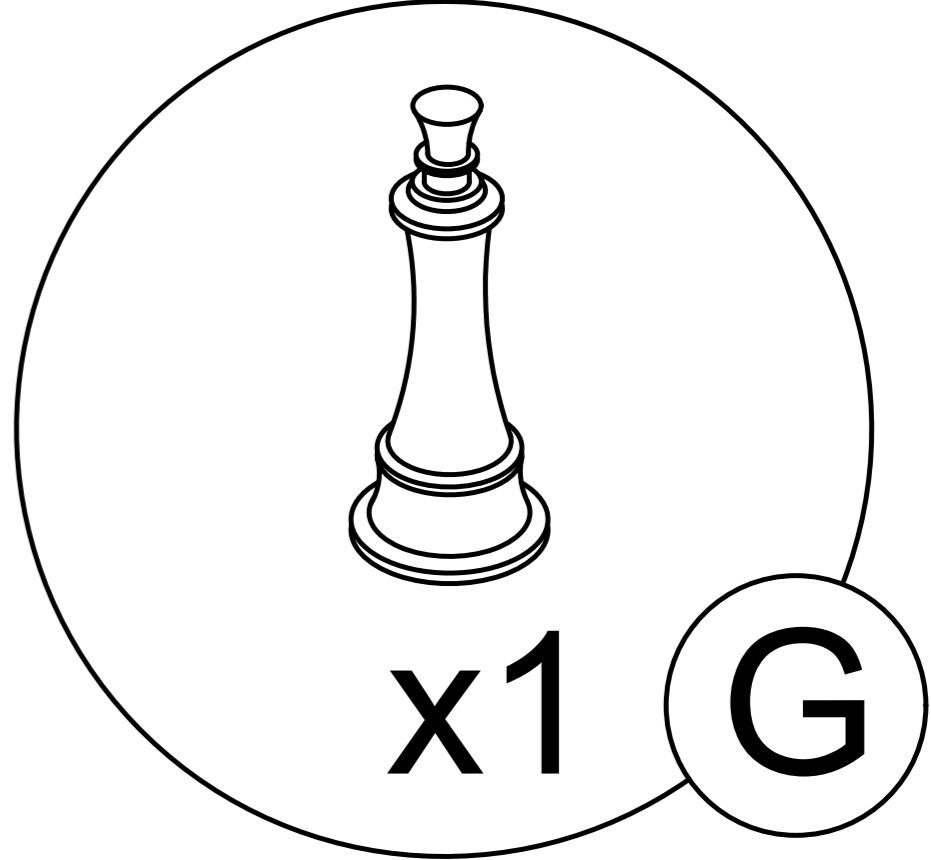
Black pearl cotton can be molded into the desired shape by deducting small squares

Step 78

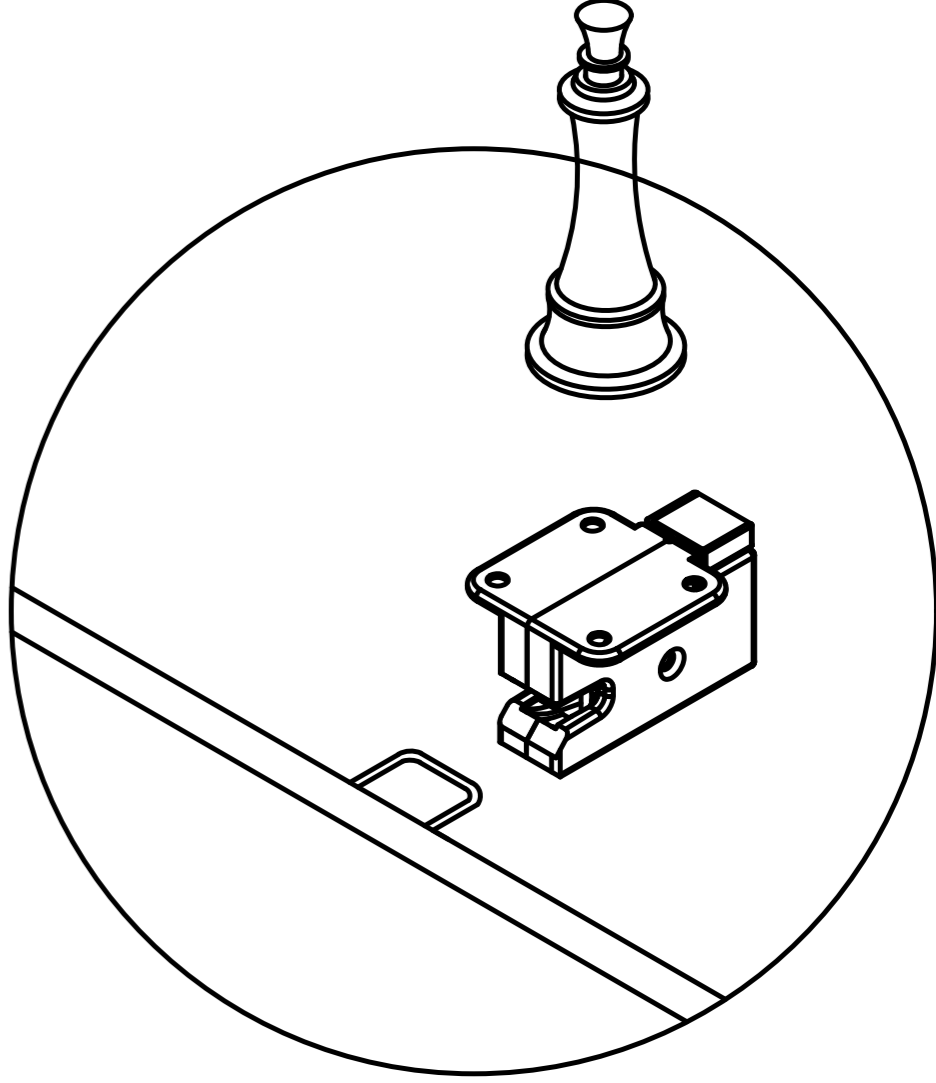
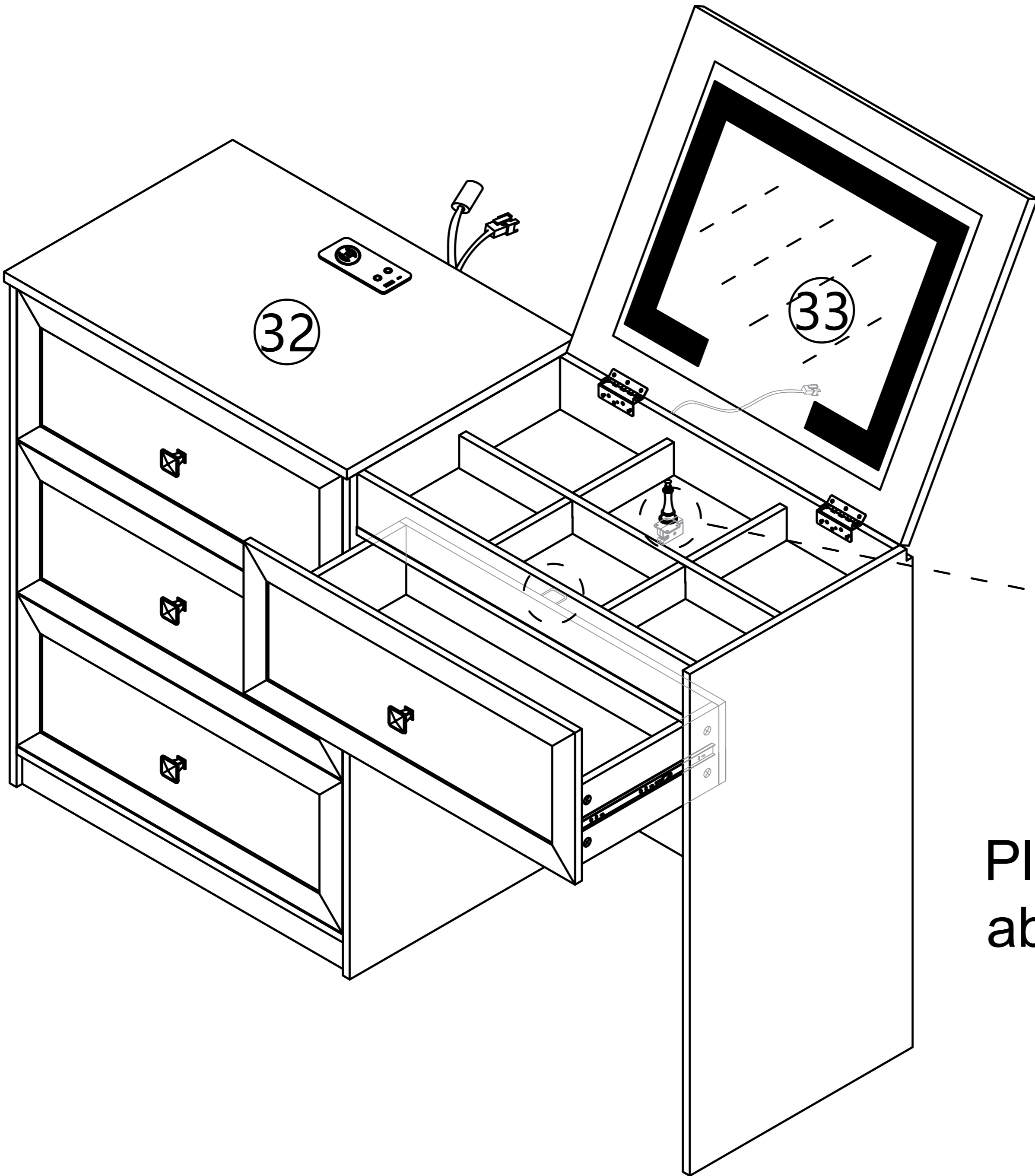
G  x1



lock

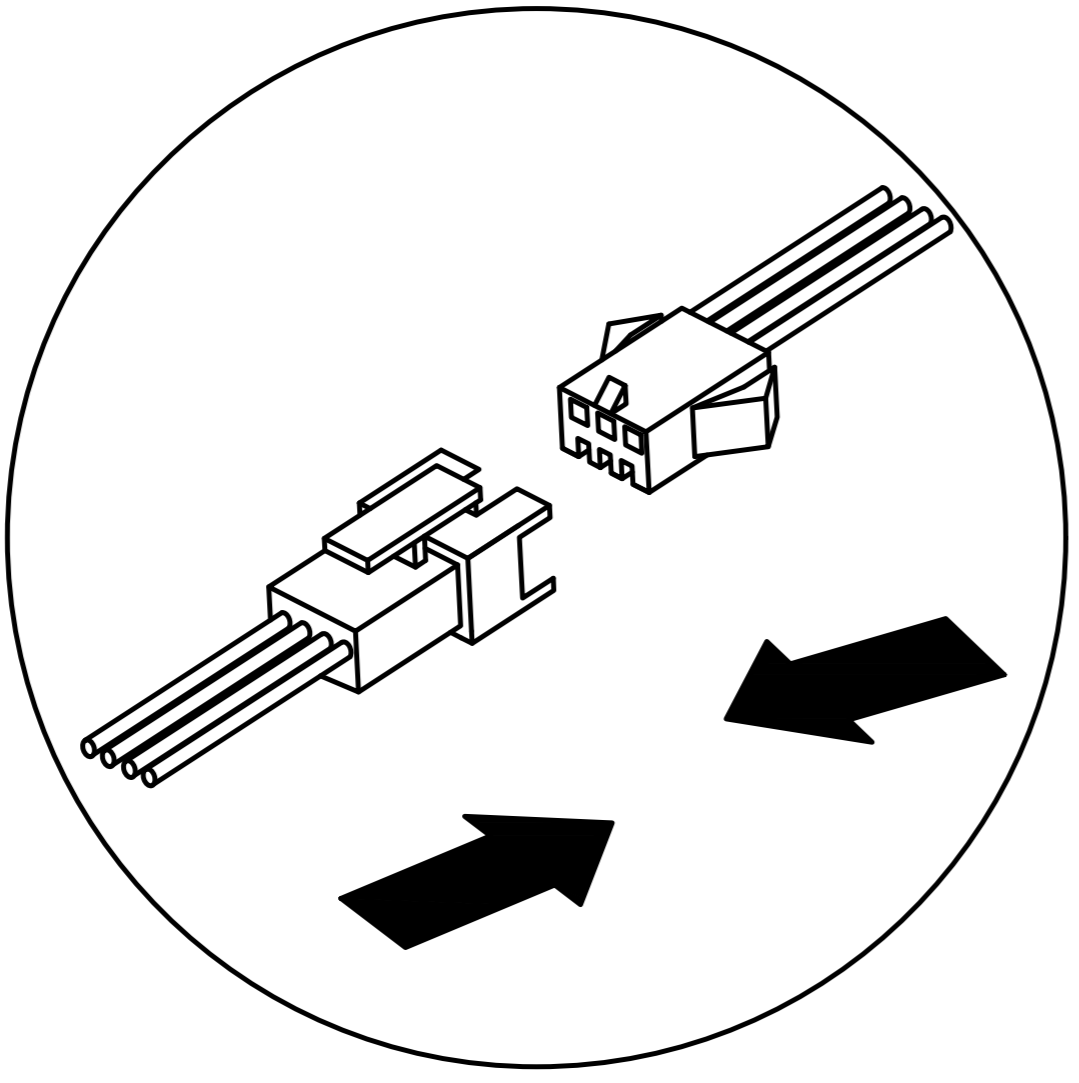
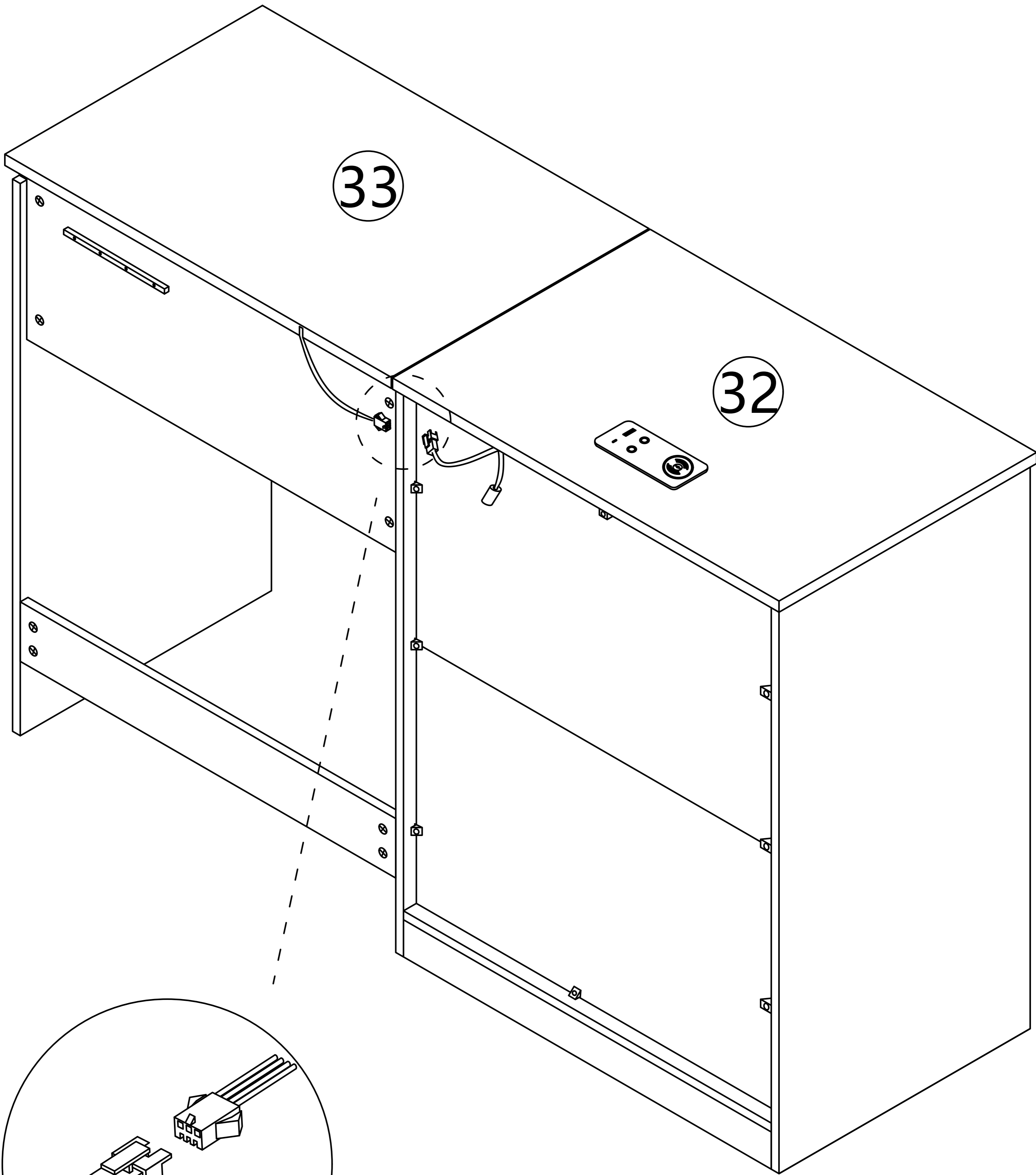


Open lock

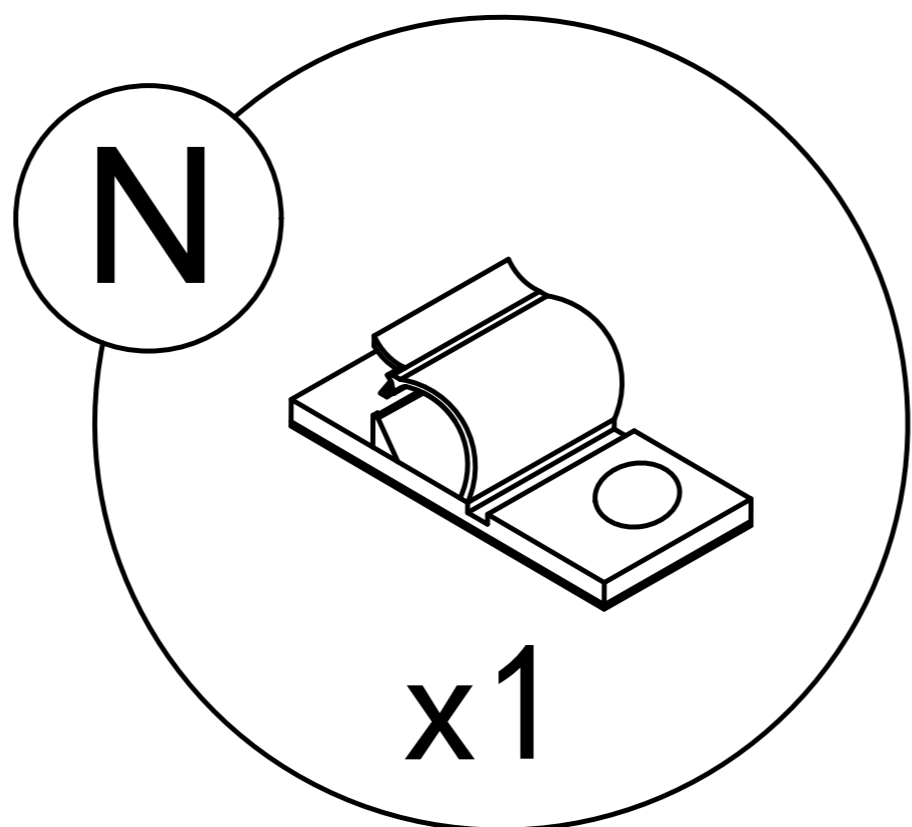
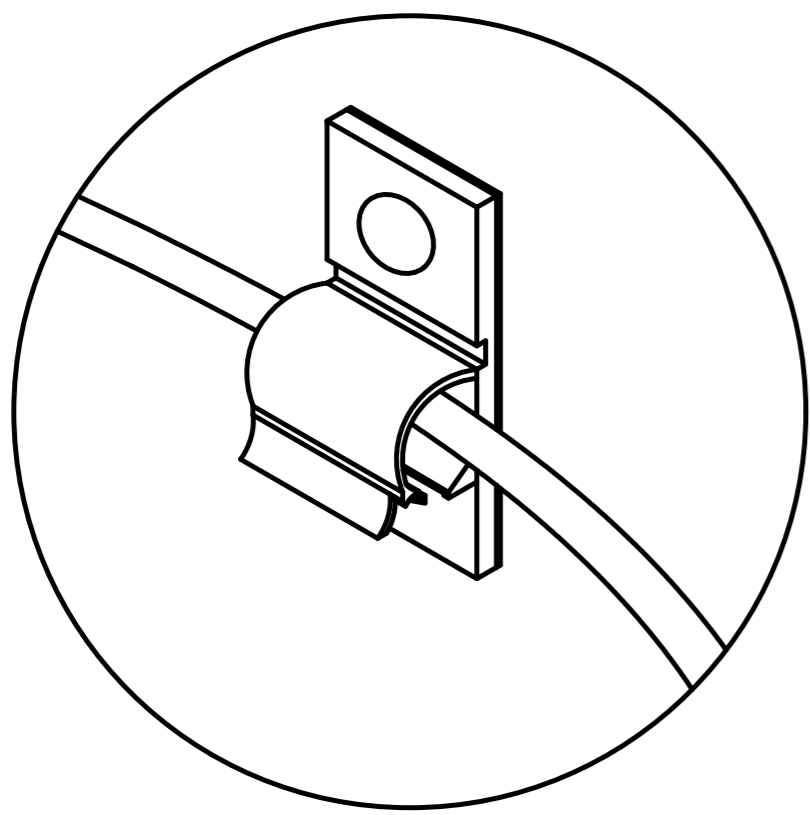
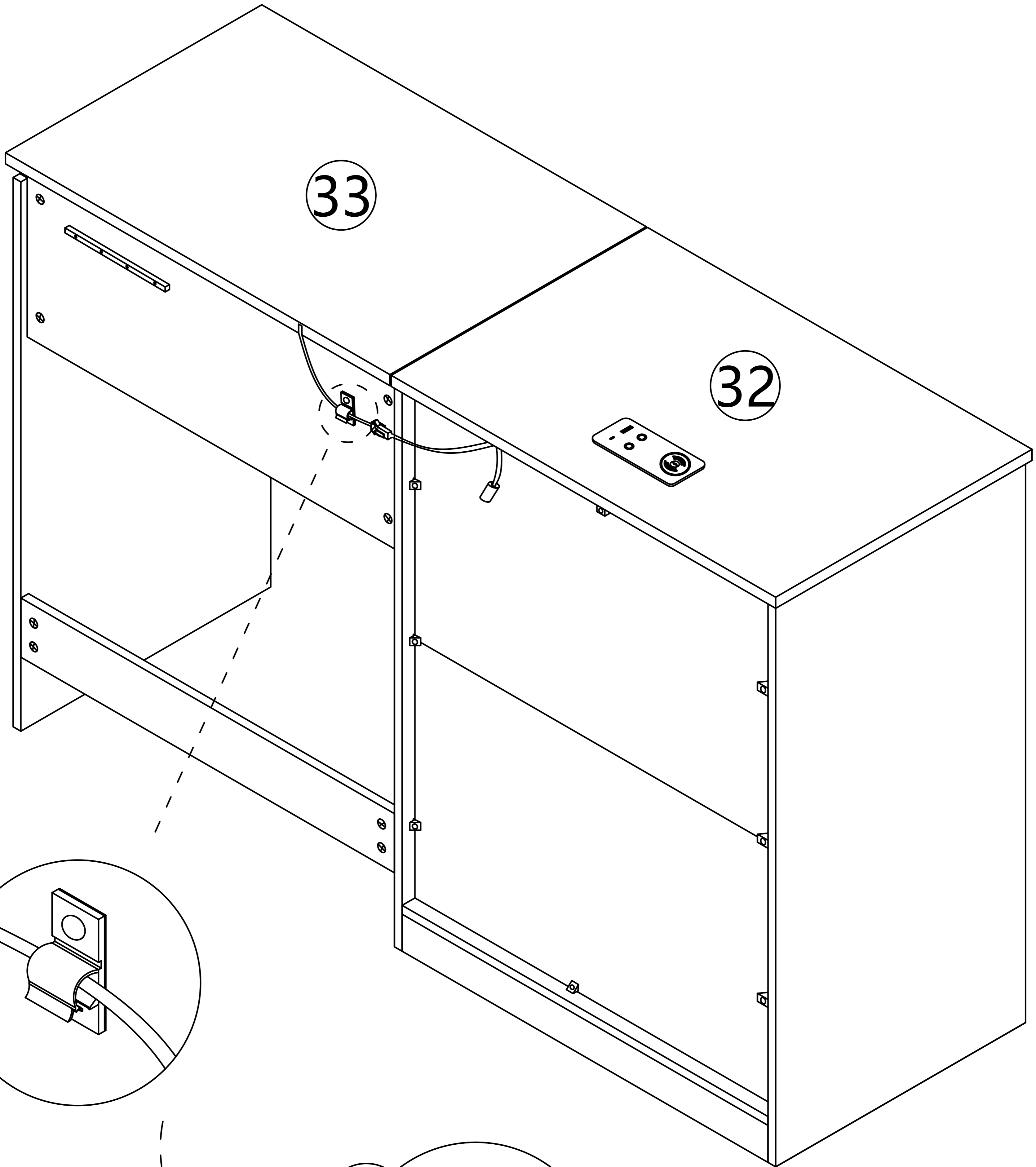
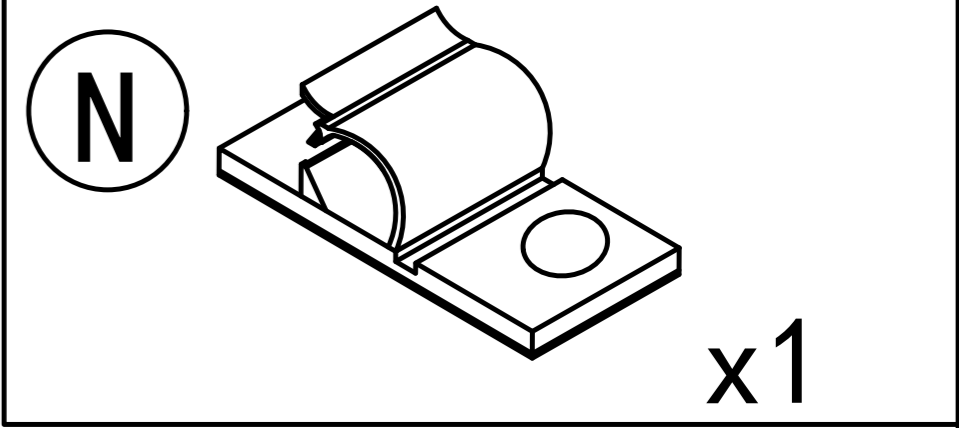


Place the magnetic key above the hidden lock

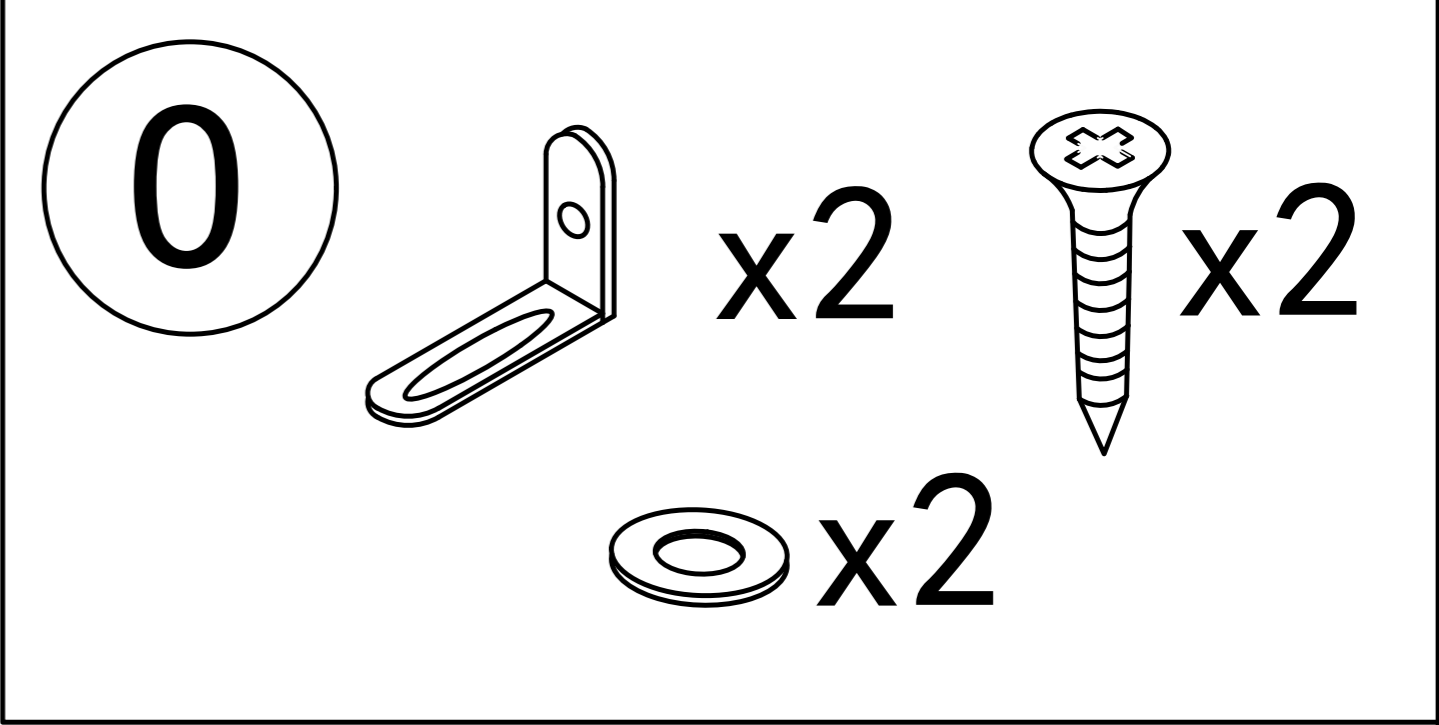
Step 79



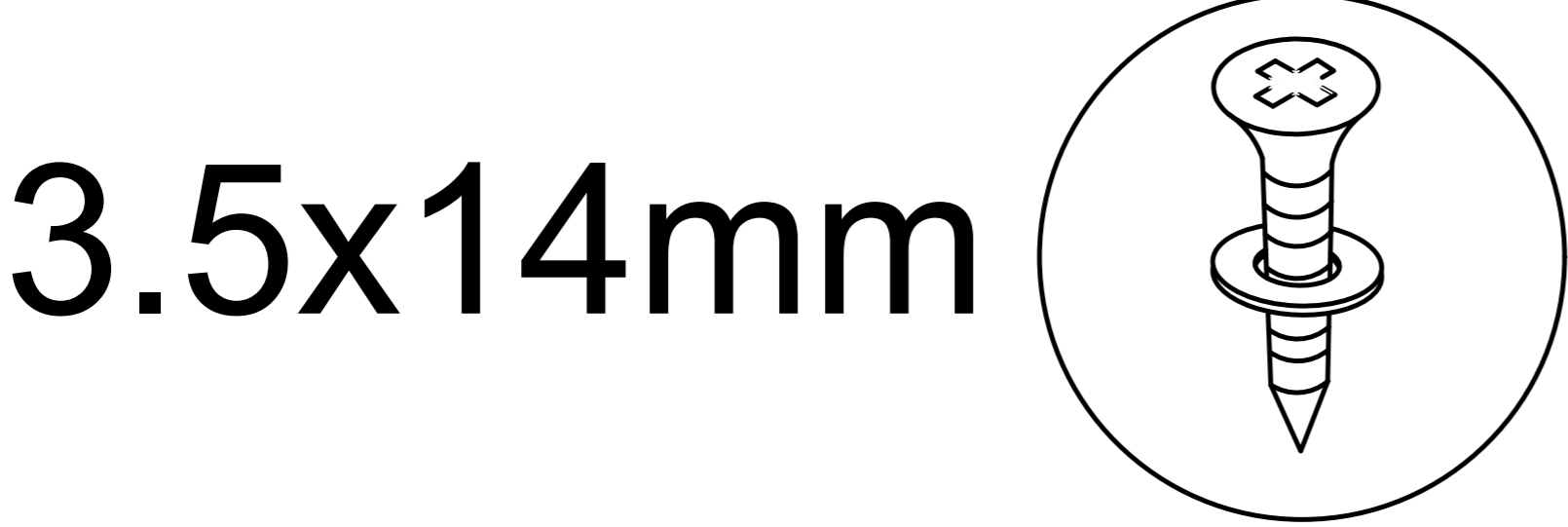
Step 80



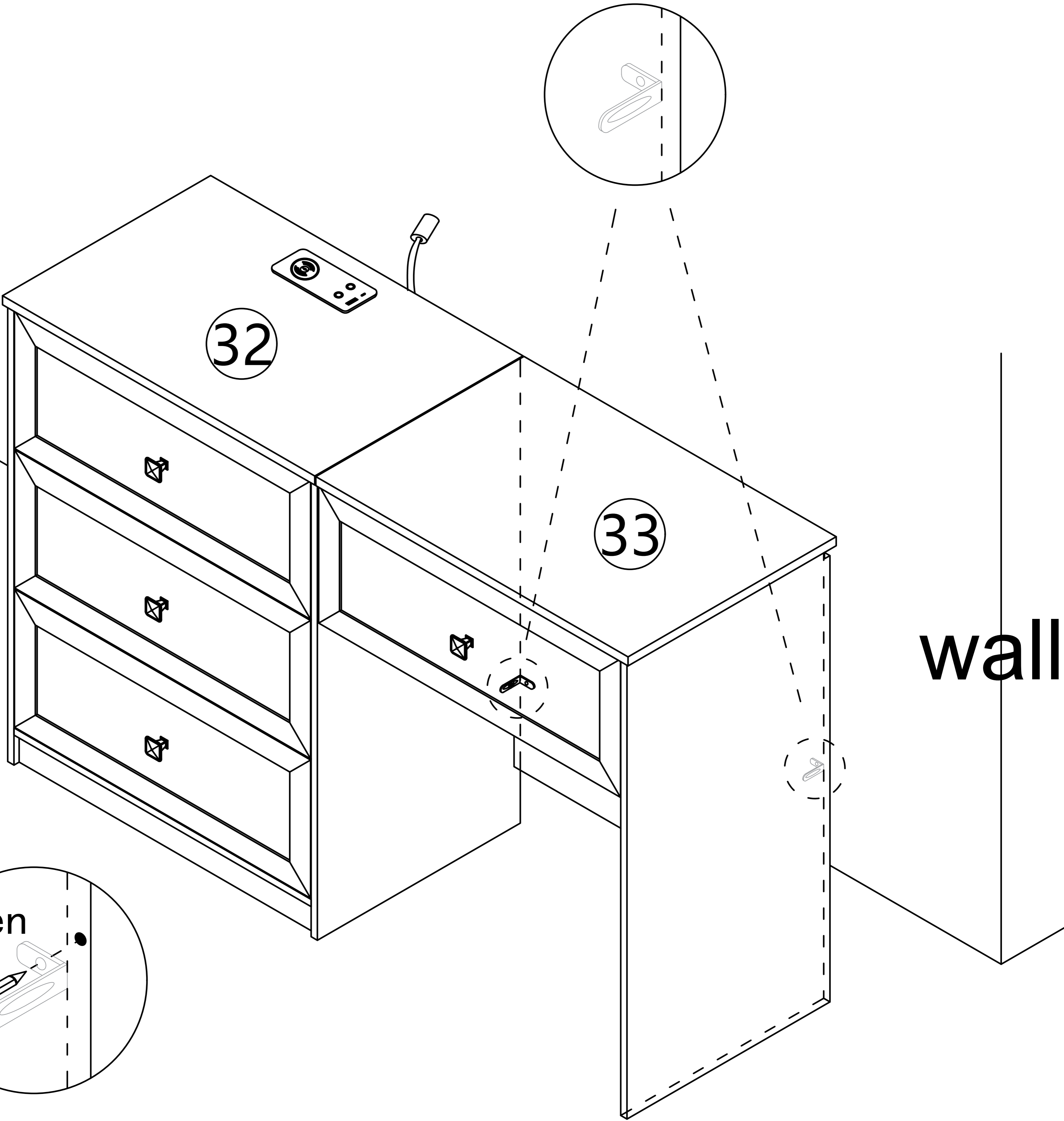
Step 81



Install as required

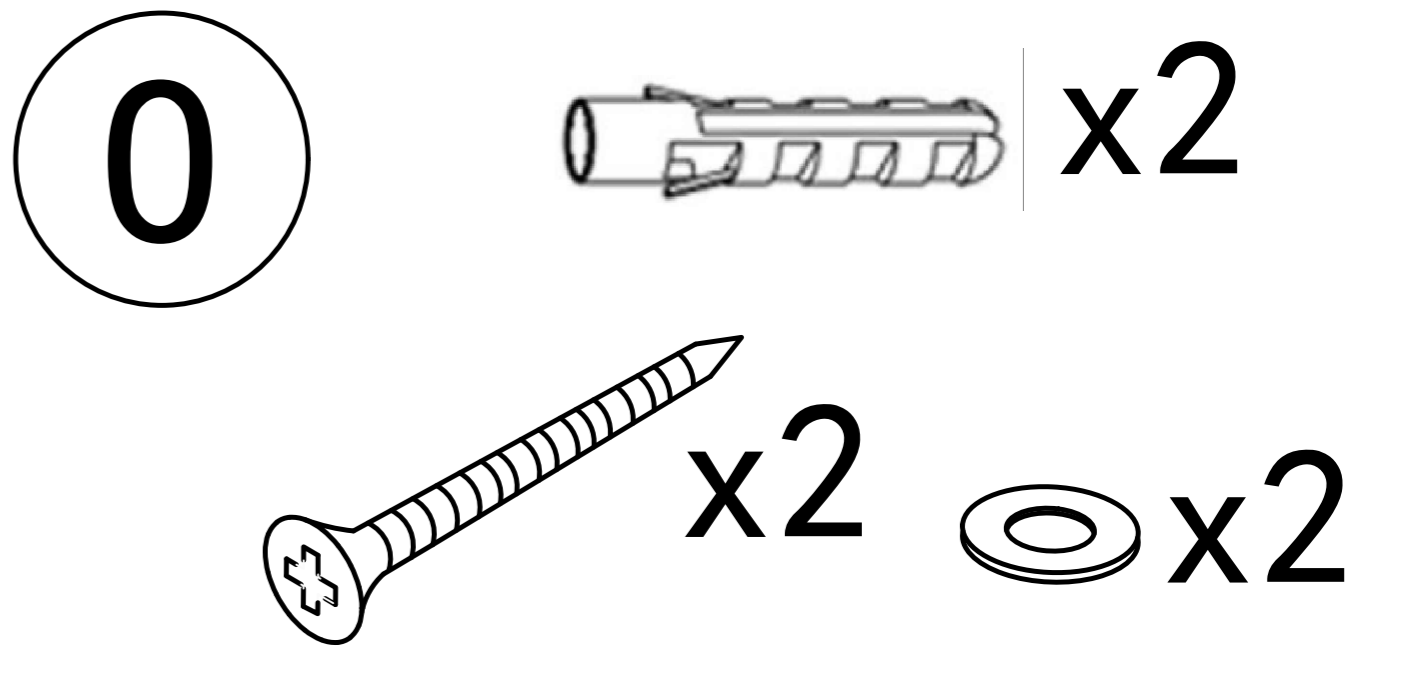
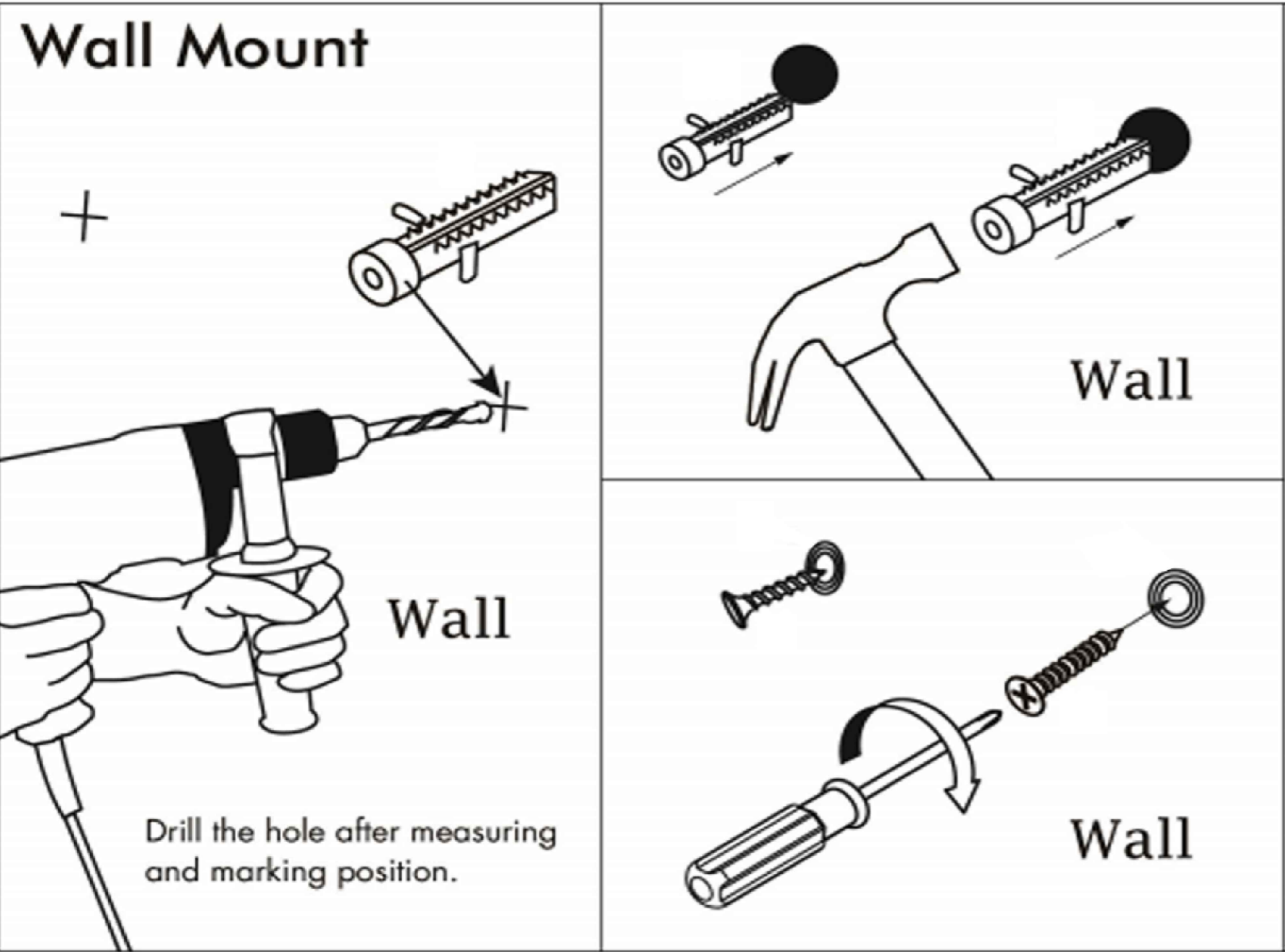


Install the anti fall hardware on the cabinet as shown in the picture first

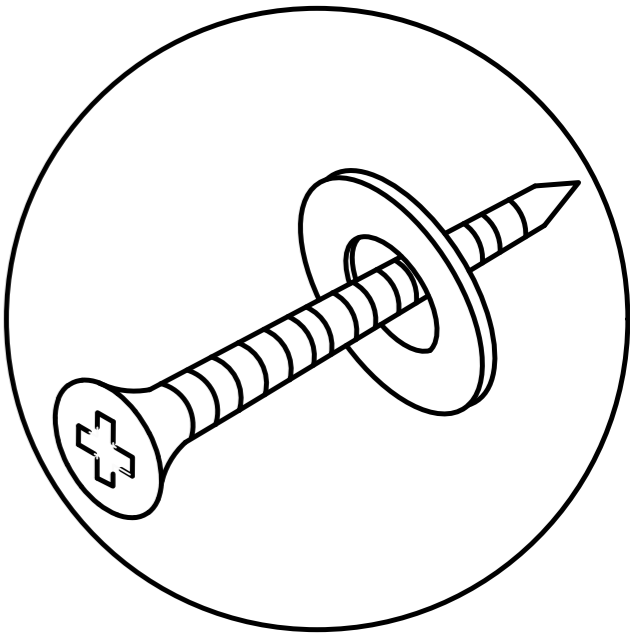
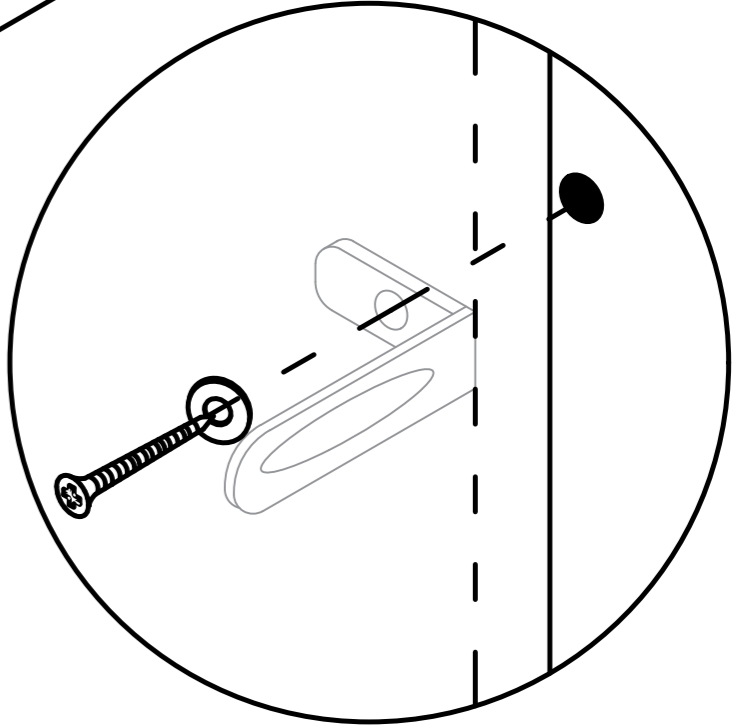
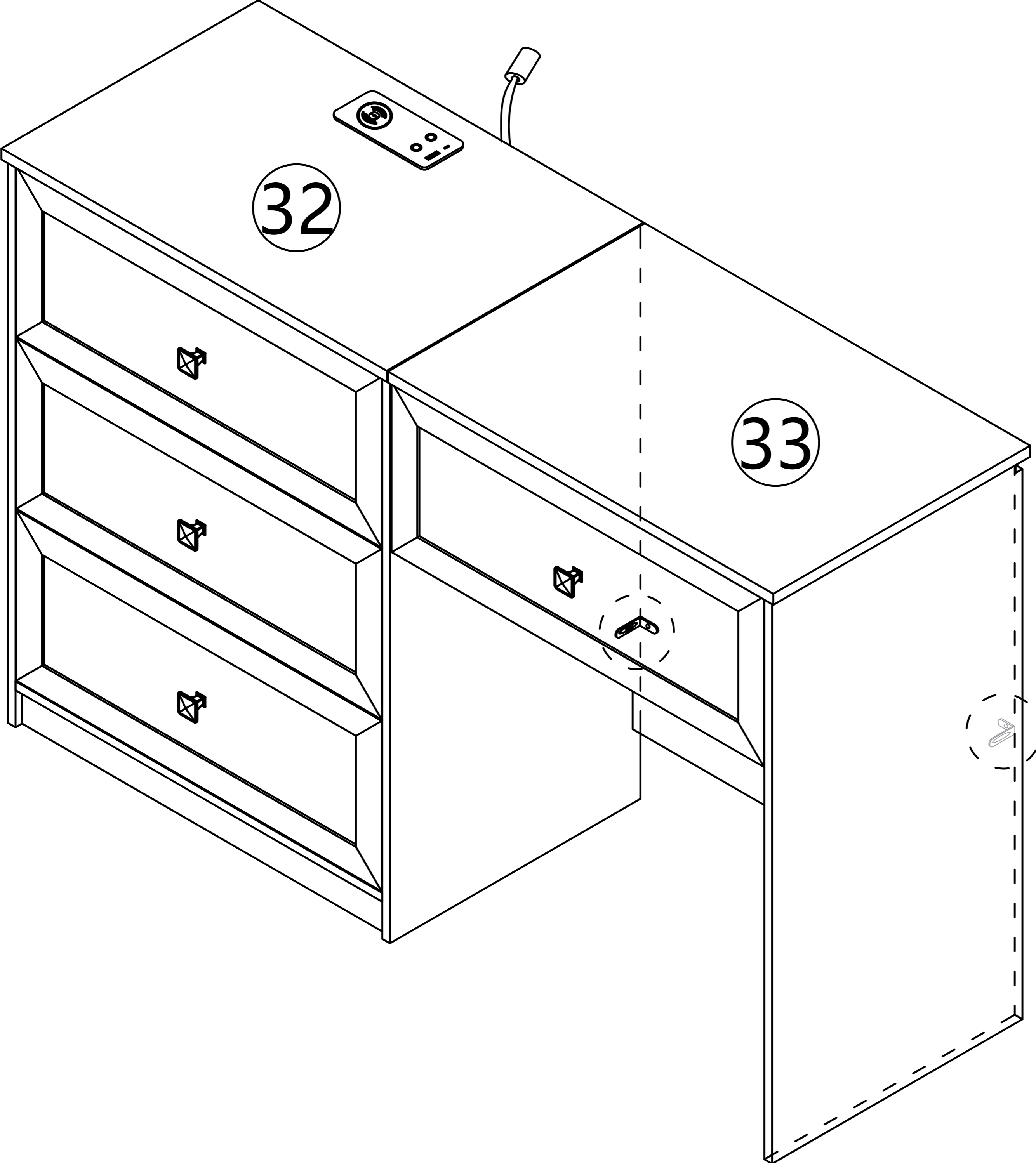


Then mark the wall with a pen through the holes in the anti-fall hardware

Step 81



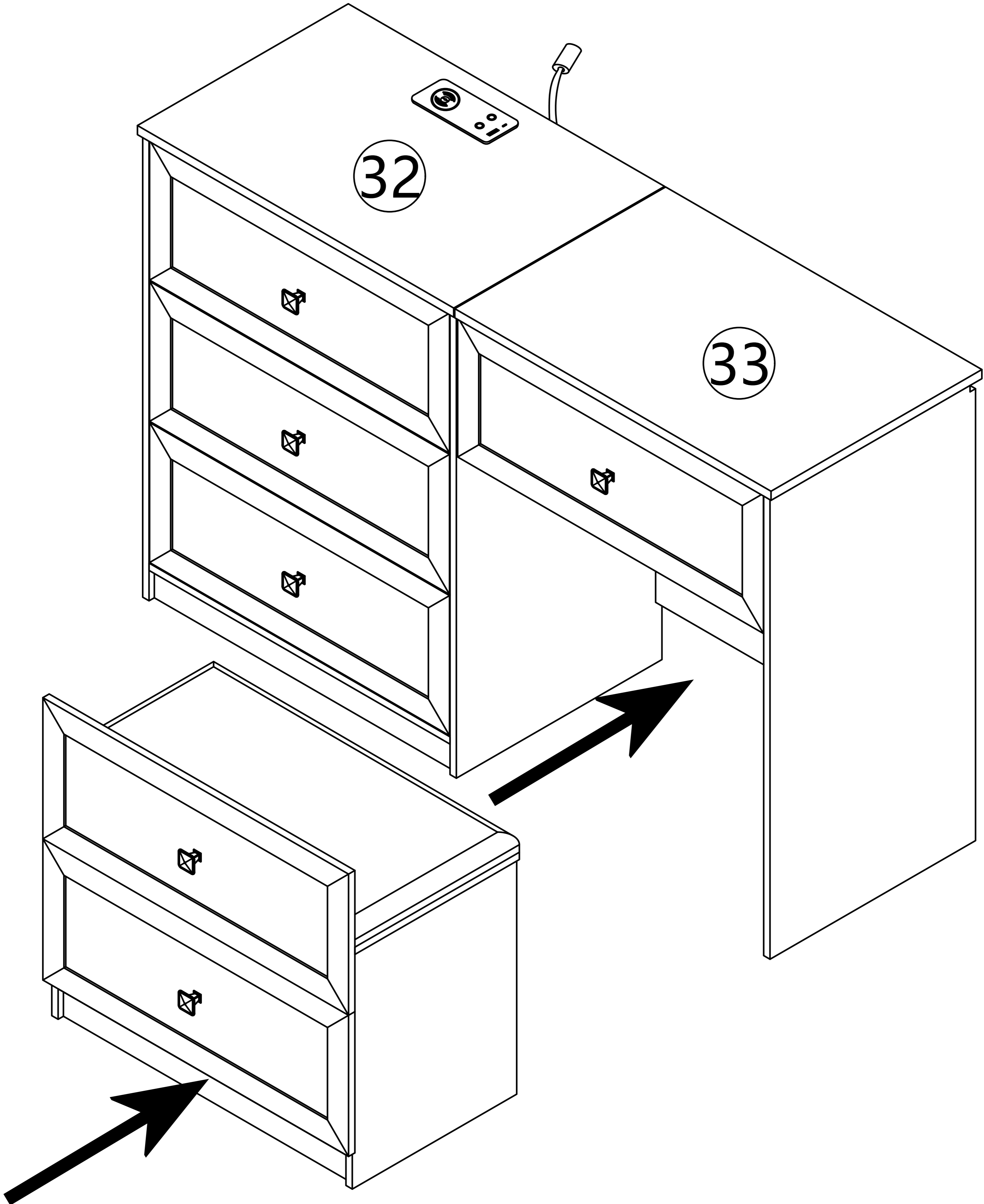
Drill the hole with an electric drill and punch in the colloidal particles



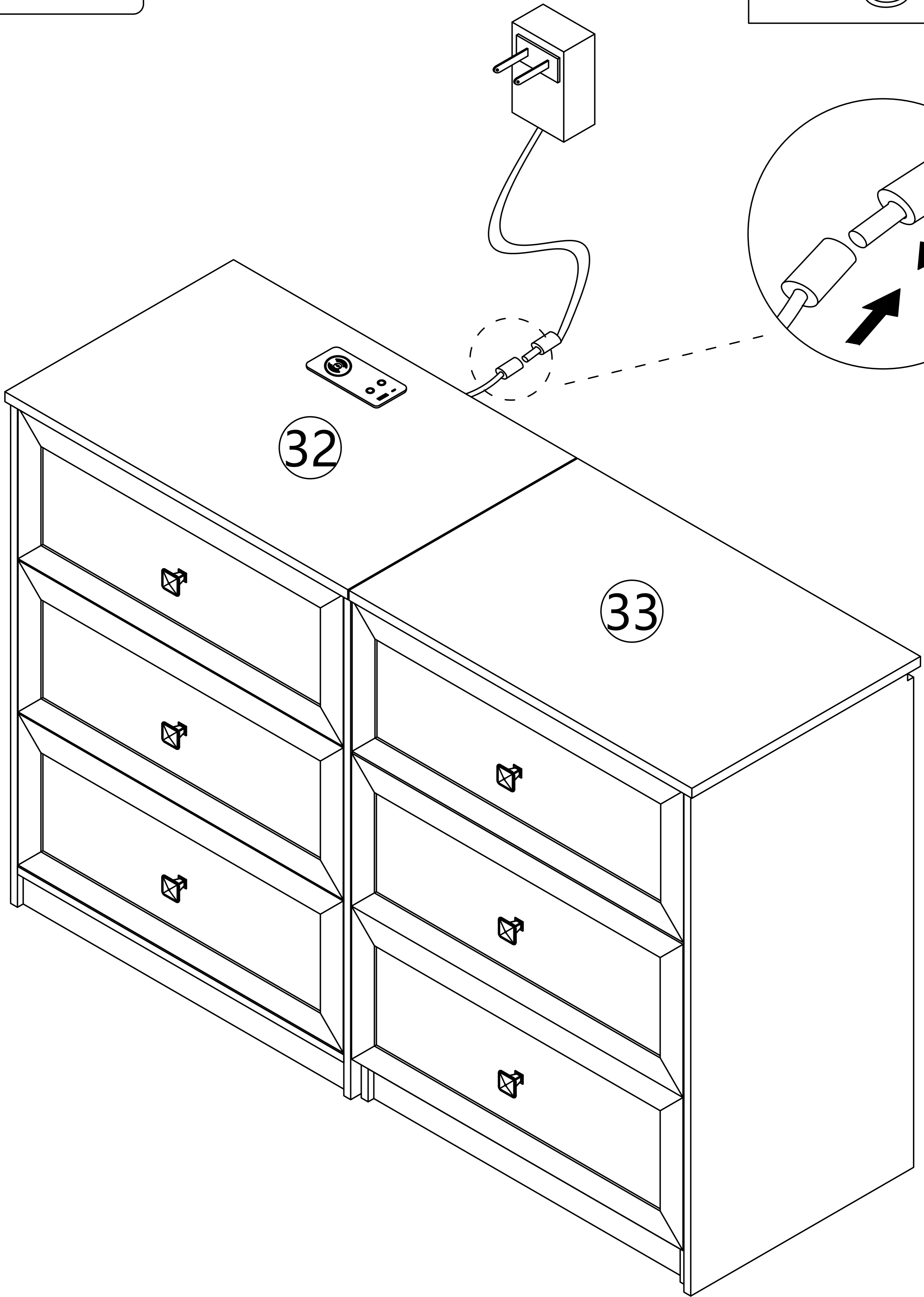
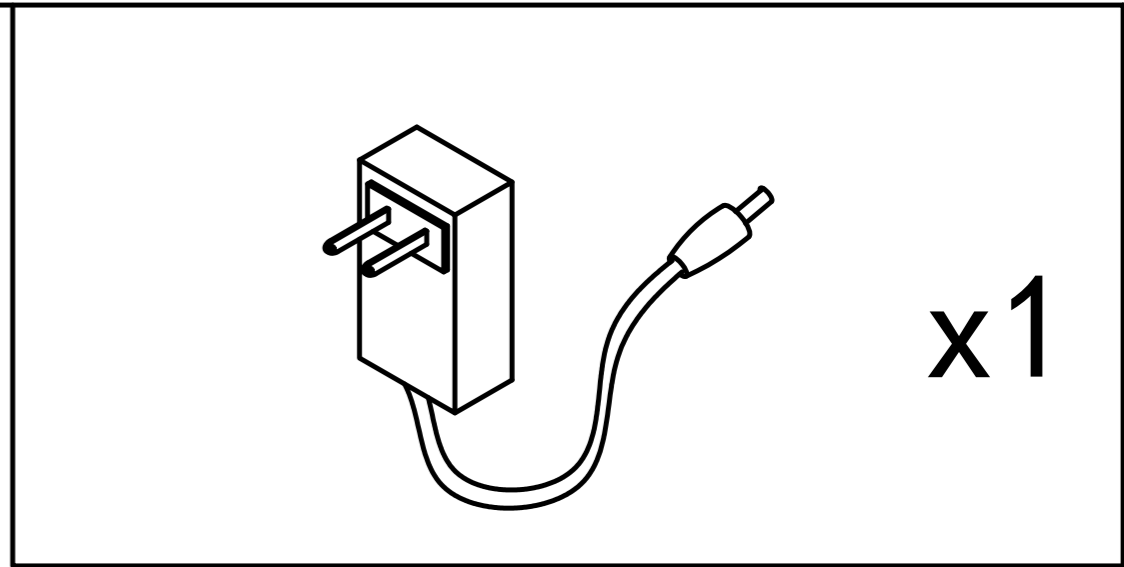
4x45mm

Fix the dressing table to the wall

Step 82



Step 83





User's Guide

Thank you for purchasing this product.

To use this product, please plug it into a 12V DC power supply.

Please use if the product works normally after connecting to power.

Introduction

The box is an intelligent controller. It has 1 USB port and 1 type-C port and can distribute the current output up to 5V DC-2A. With 2 touch buttons, it can turn ON/OFF the light, change light colors, and adjust the light luminance.

Operation



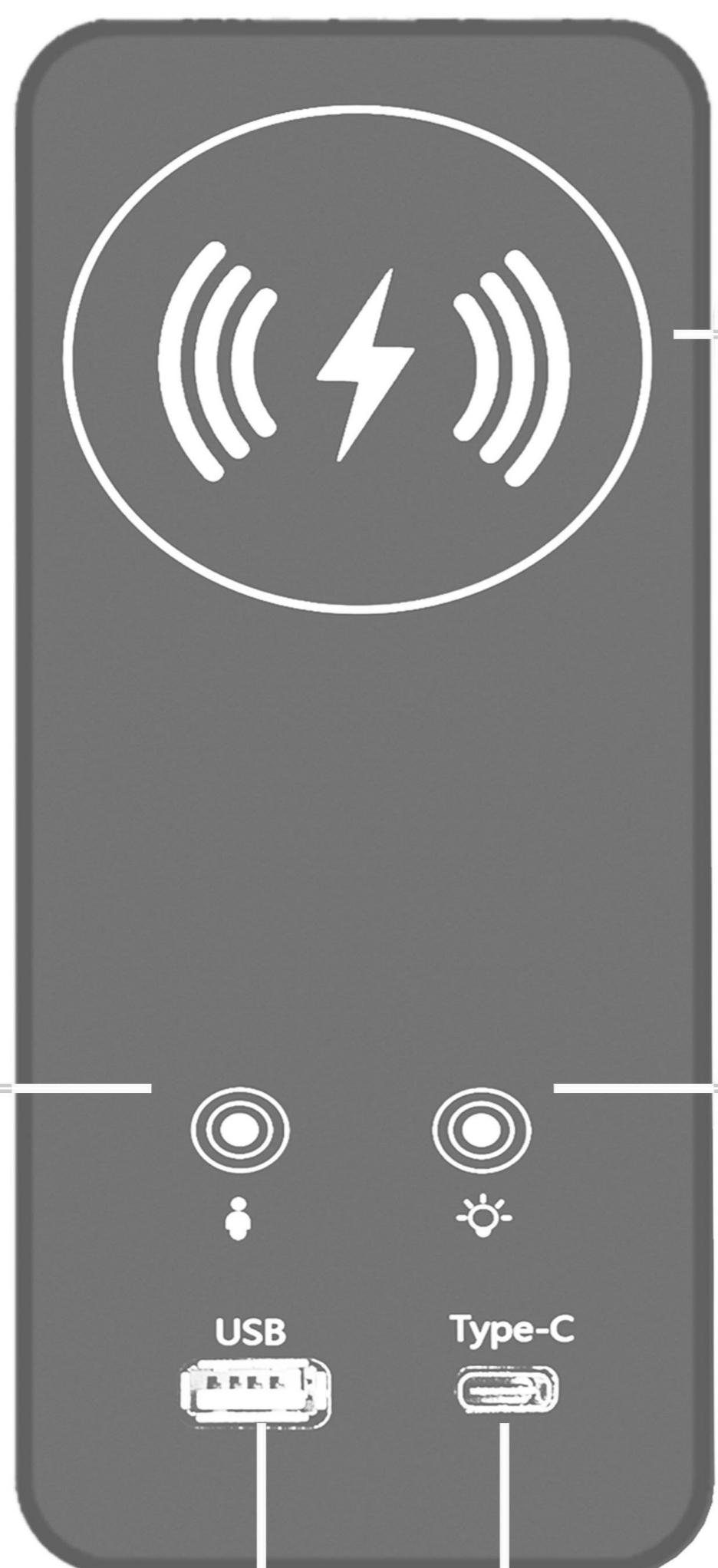
This touch button is used to turn on/off, change colors, and adjust brightness.

- A. Short touch -> lighting on -> short touch -> change light color -> short touch -> change light color -> short touch -> lighting off.
- B. Long touch -> adjust the luminance.



This touch button is used to turn on/off the induction function.

- A. Short touch to turn on the induction function. It can auto-turn on the light when people are close to the controller in 1 meters. It can auto power off the light when the body is far away from the controller after 30 seconds.
- B. Long touch to turn off the induction function.
- C. Note: When you touch the light button to change the light modes, the induction function will automatically turn off. It is best to turn on this function after selecting the light color and adjusting the brightness you want.



This range is a wireless charging area, and only mobile phones with wireless charging function can be charged.

Consumer Reminder: Important Notice for Wireless Charging Use

1, Phone-Only Wireless Charging: This device supports wireless charging for mobile phones only. Attempting to charge other electronic devices may result in danger.

2, Metal Warning: Ensure that no metal objects are placed between your phone and the wireless charger (this includes magnetic or metal phone cases).

If there are metal objects can interfere with charging or cause hazardous conditions.

Light Button

Induction Button

USB output port

Type-C output port



ATTENTION PLEASE

1. If there is no touch response suddenly, Re-plug the power to reset the touch static electricity.
2. If bubbles appear on the panel, remove the protective film.
3. If you have any questions when installing, please feel free to contact us. Thank you.