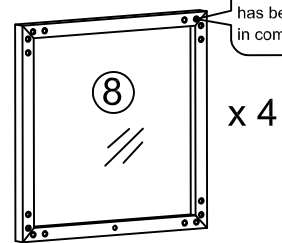
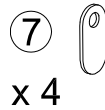
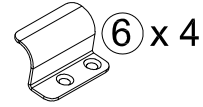
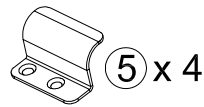
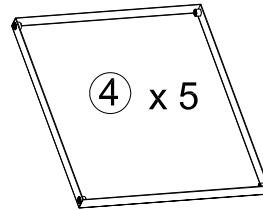
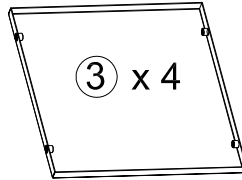
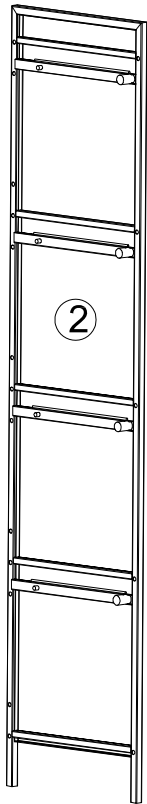
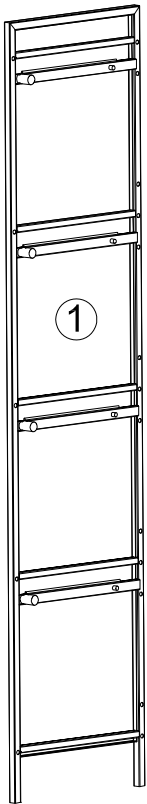
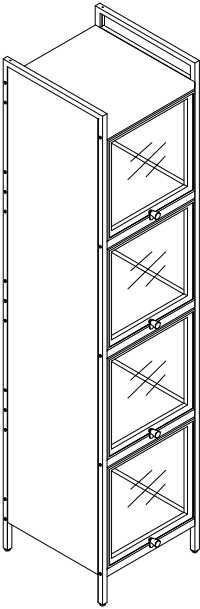








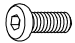





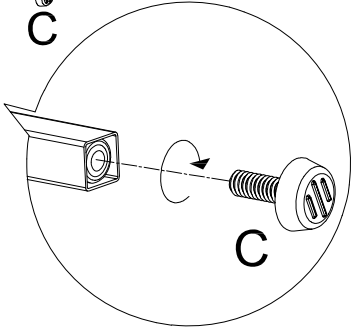
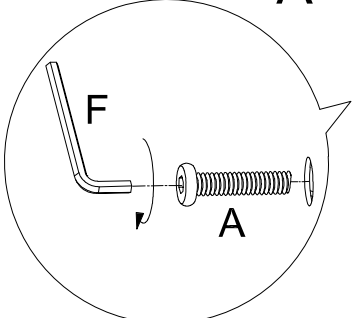
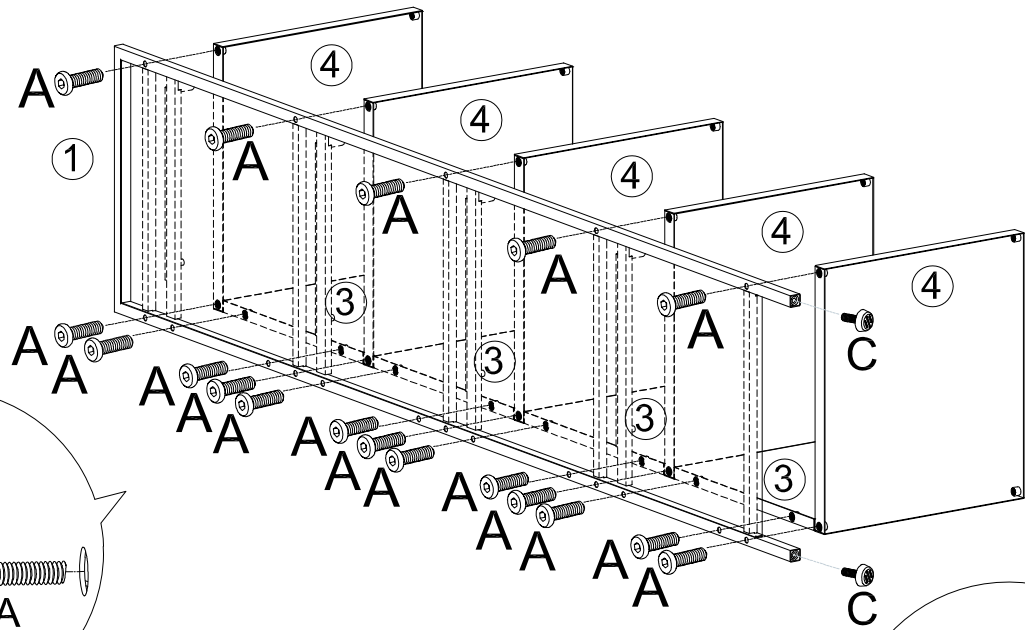
Installation & Assembly





Hardware component L has been pre-assembled in component 8.

A	x 36	B	x 4	C	x 4	D	x 4	E	x 4	F	x 1
											
M6x25mm		M4x25mm		Φ15xM6x15mm		Φ10xΦ5x1.0mm		Φ20xΦ11xM4mm		M4mm	
G	x 2	H	x 2	I	x 2	J	x 2	K	x 4	L	x 16
											
73x25x16mm		Φ6x30mm		M6x12mm		Φ4x30mm		Φ10x1.0mm			

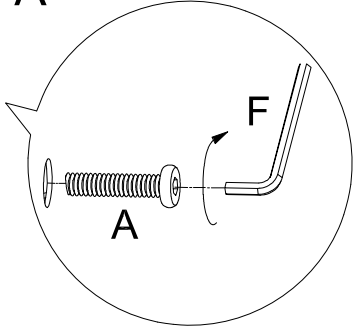
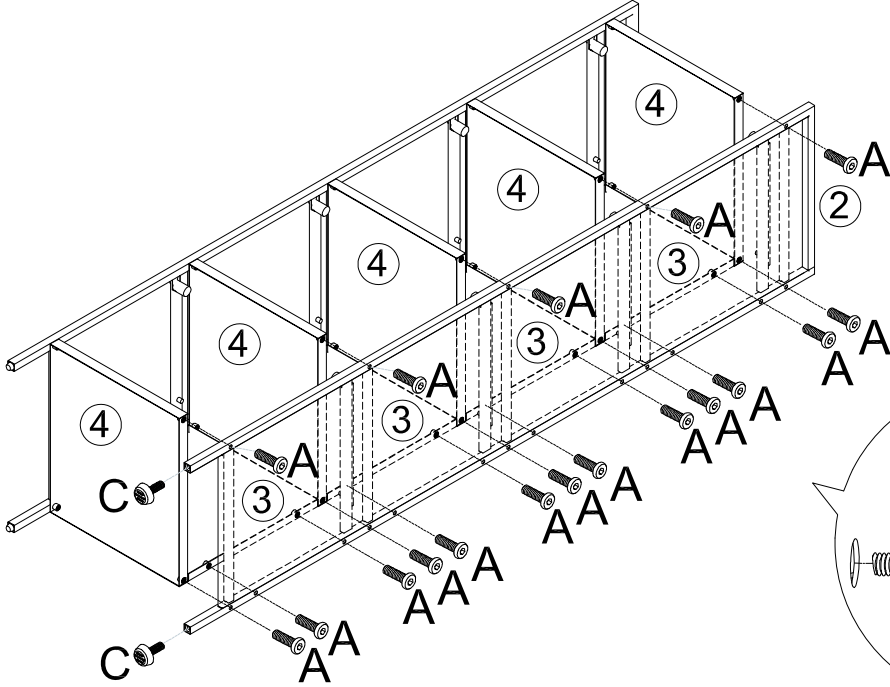
1





A	x 18
	
M6x25mm	

C	x 2
	
Φ15xM6x15mm	

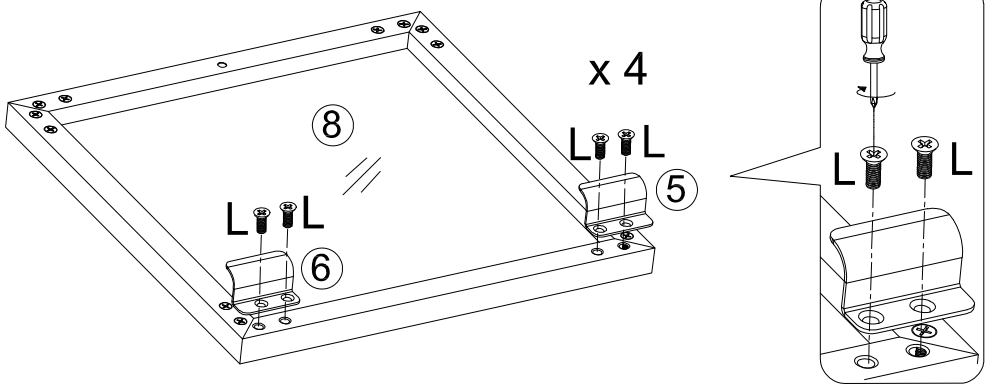
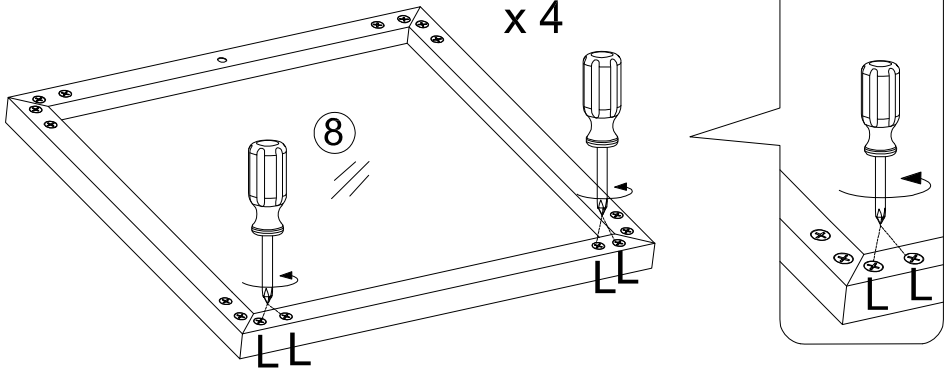
2



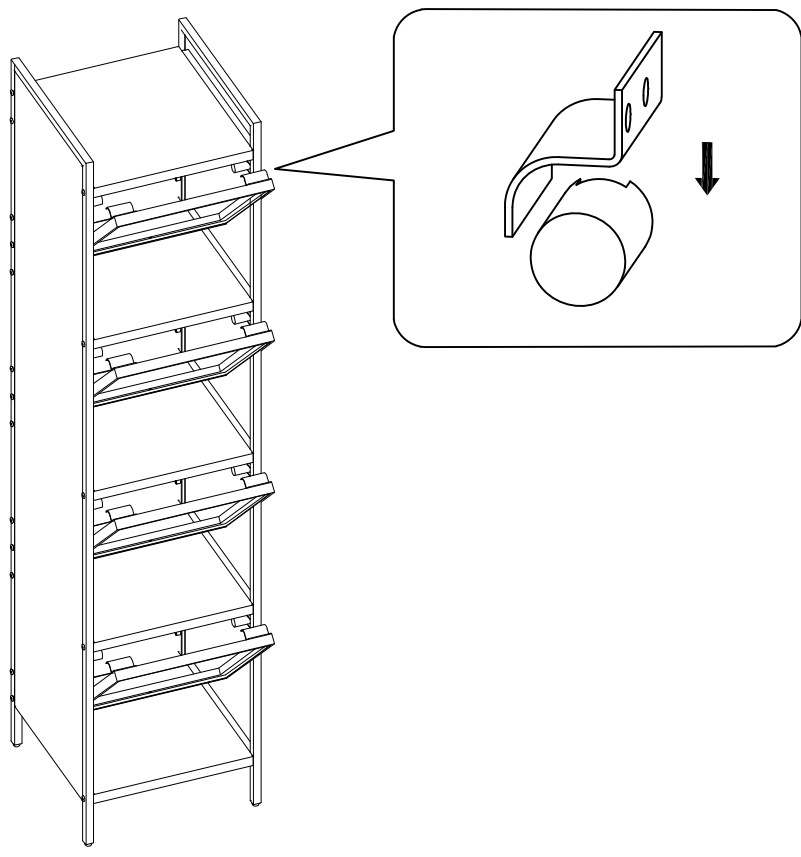
A	x 18
	
M6x25mm	

C	x 2
	
Φ15xM6x15mm	

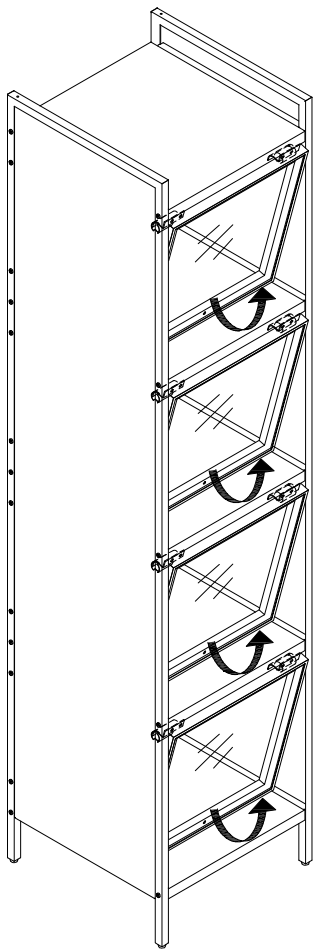
3



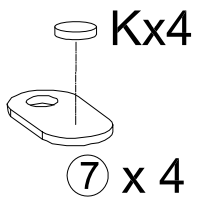
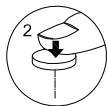
4





5





6

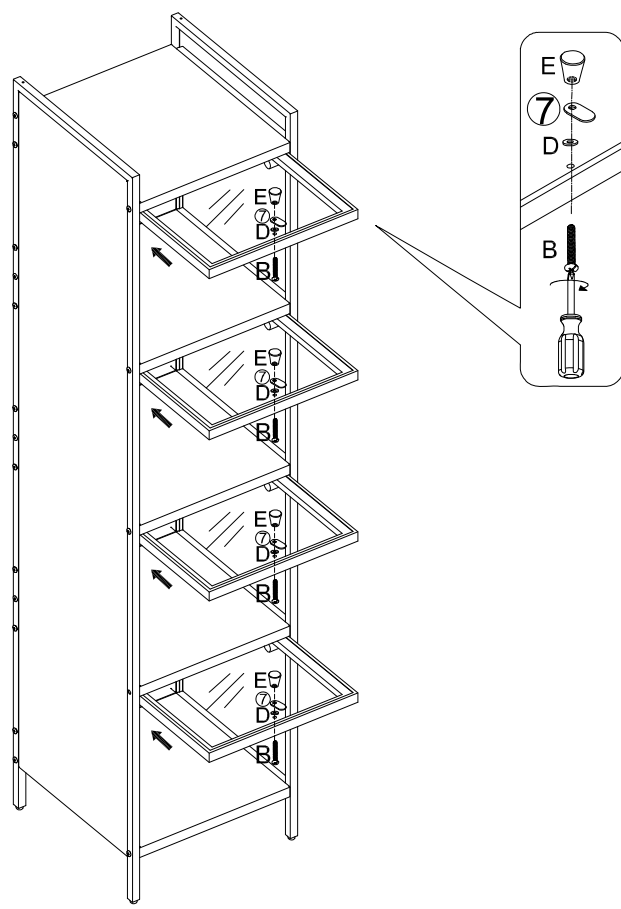


B	x 4
	
M4x25mm	

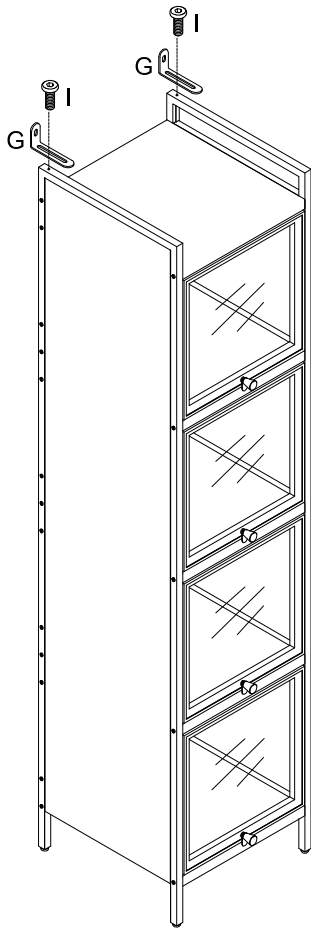
D	x 4
	
Φ10xΦ5x1.0mm	


E	x 4
	
Φ20xΦ11xM4mm	


K	x 4
	
Φ10x1.0mm	



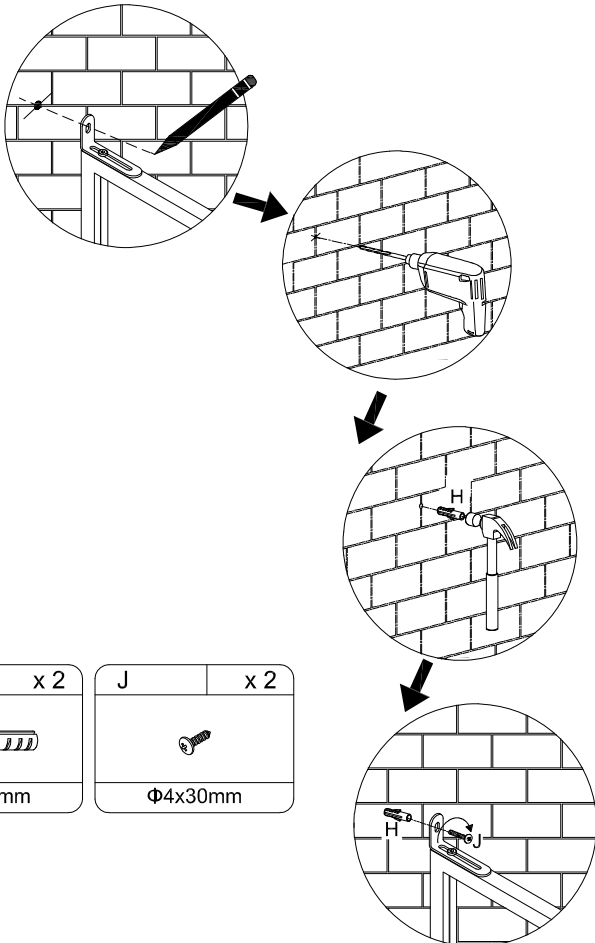
7

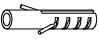



G	x 2
	
73x25x16mm	

I	x 2
	
M6x12mm	

8



H	x 2
	
Φ6x30mm	

J	x 2
	
Φ4x30mm	

