



# INSPIREDHOME®

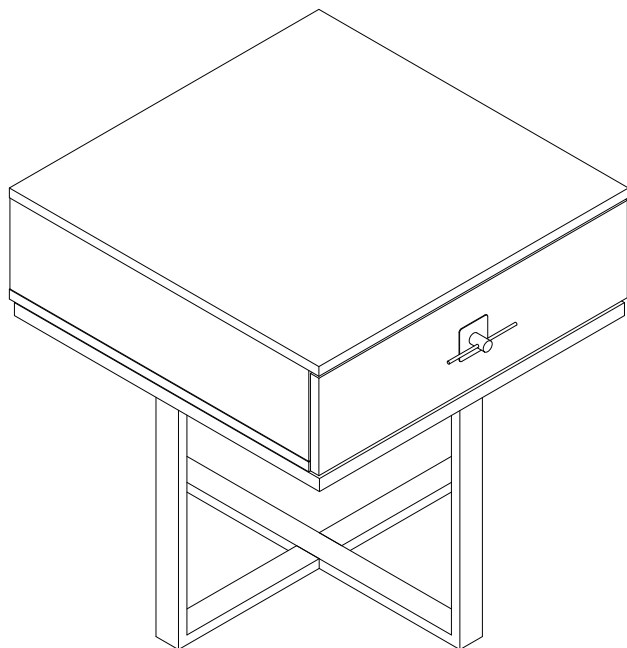
## NST197-09 Assembly Instructions

MANDISA

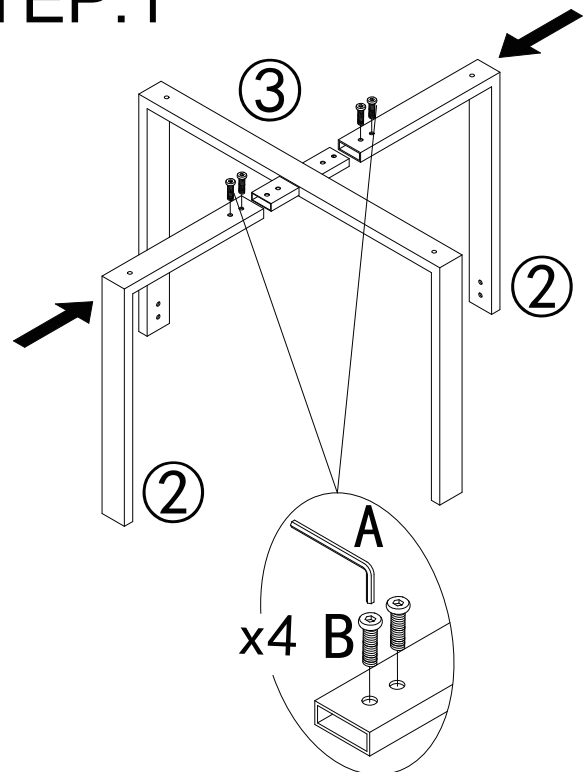
### Parts

### Hardware

NO.	Picture	Description	Size(cm)	QTY	NO.	Picture	Description	Size(mm)	QTY
1		Top Panel	55x55x17	1	A		Allen Key	M4	1
2		Frame	36.9x25x4	2	B		Bolt	M6x10	12
3		Frame	51x36.9x4	1	C		Bolt	M6x15	4
4		Iron Square	54.2x54.2x7	1	D		Washer	M6x18	4
					E		Adjustable feet	M6+Ø23x7	4



### STEP:1



Overall Size:21.65"x21.65"x22.05"H

Do not tighten bolts until all screws are aligned then fully tighten

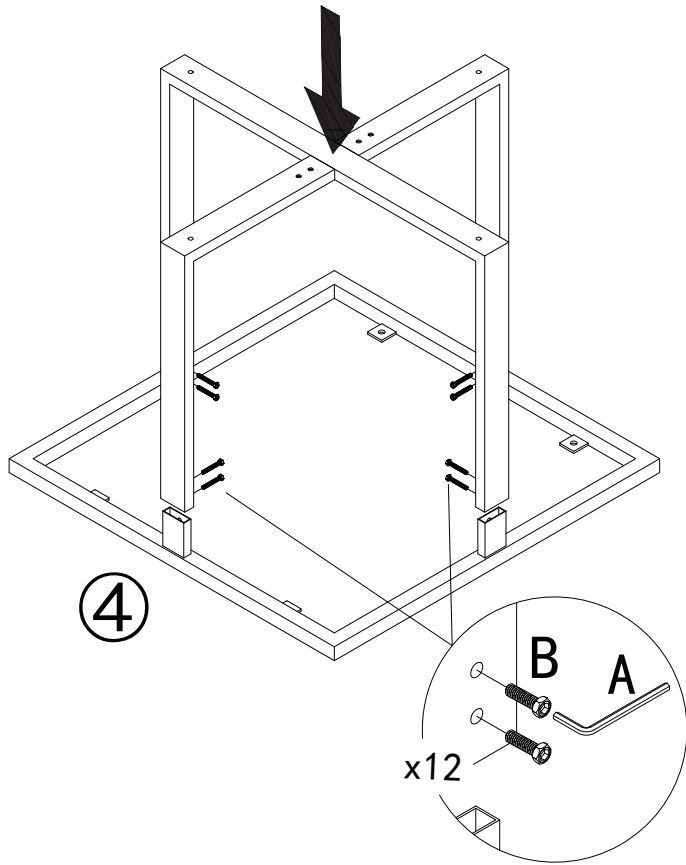


# INSPIREDHOME®

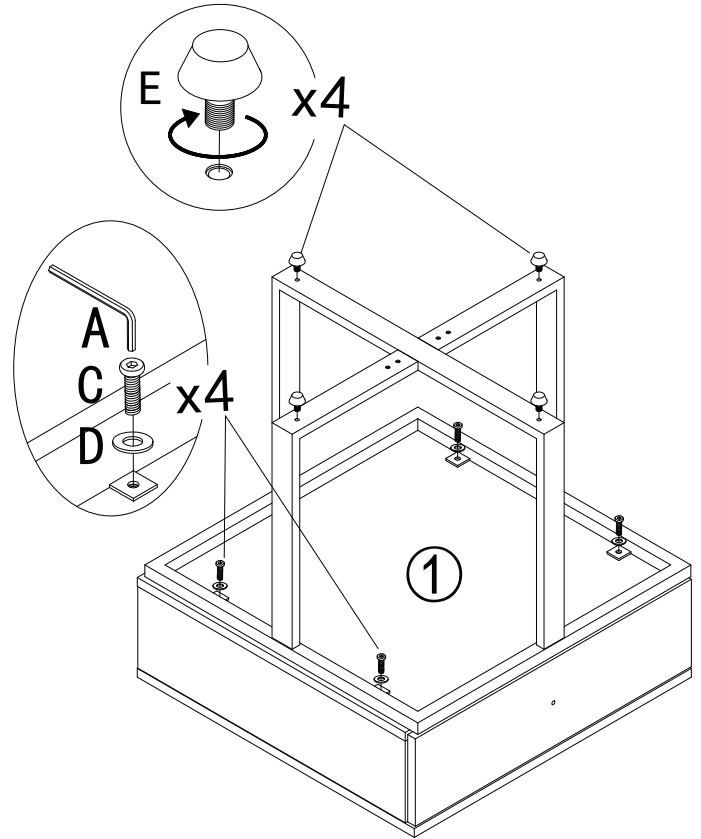
## NST197-09 Assembly Instructions

MANDISA

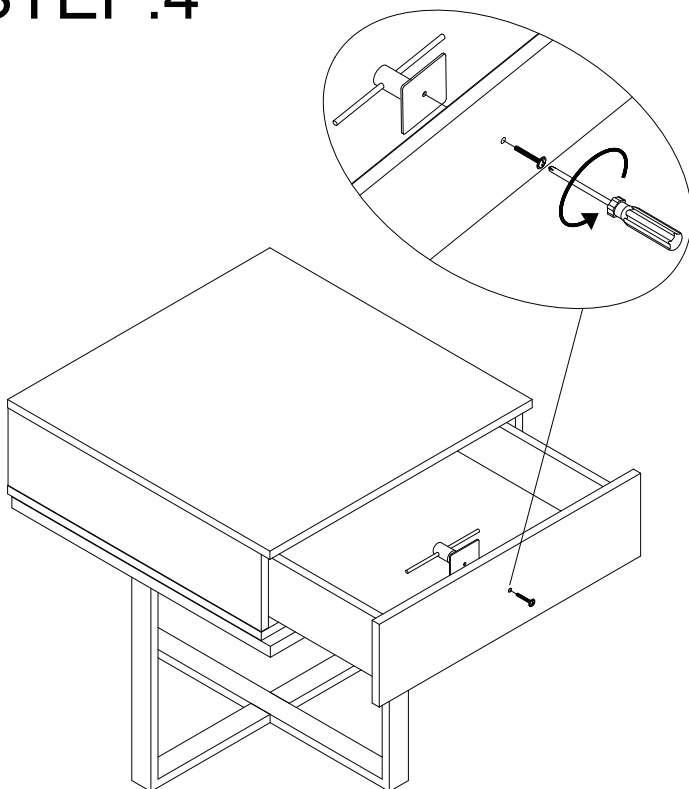
### STEP:2



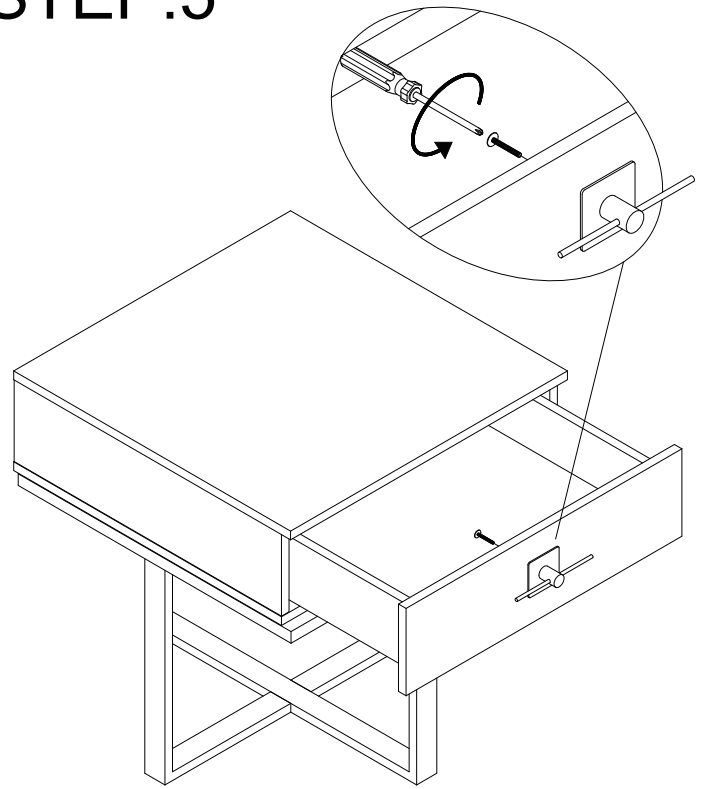
### STEP:3



### STEP:4



### STEP:5



Overall Size:21.65"x21.65"x22.05"H

Do not tighten bolts until all screws are aligned then fully tighten