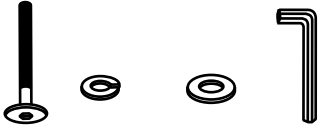
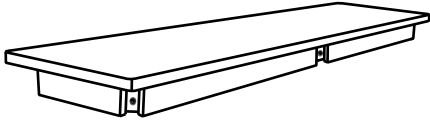
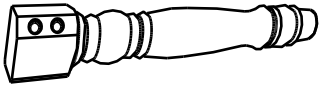
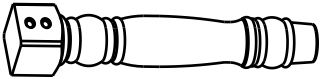
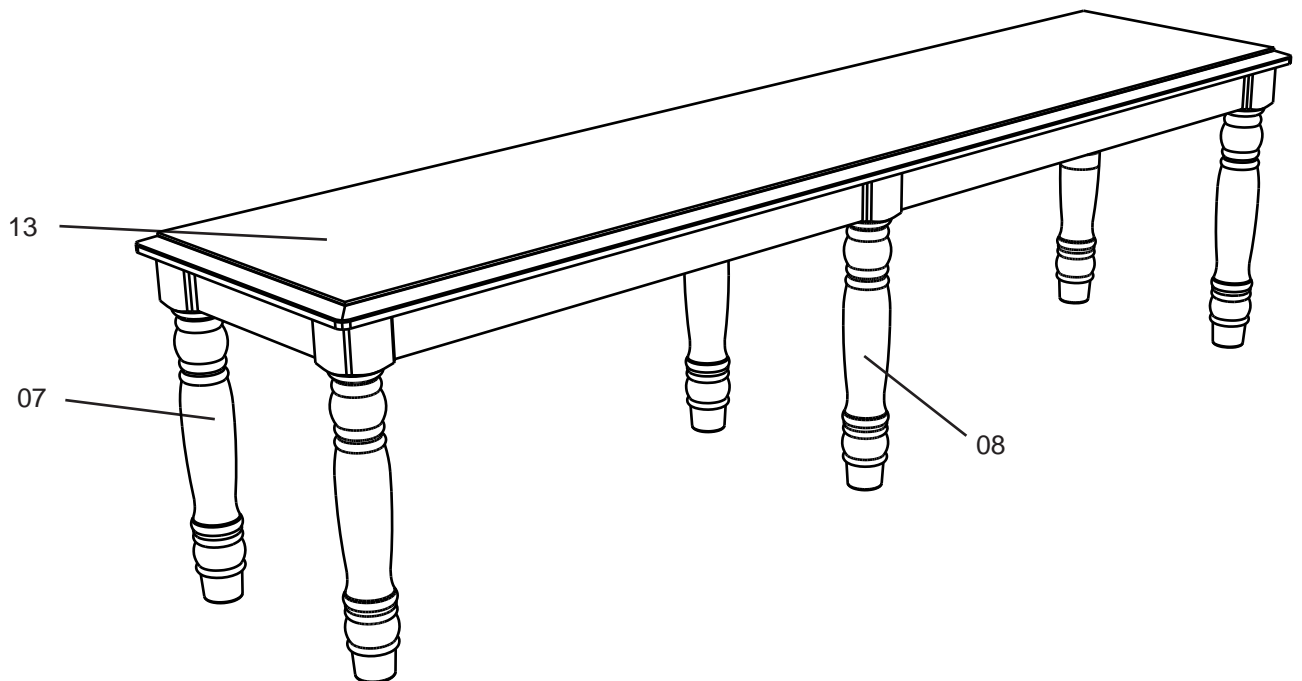


Assembly Instructions

BACKLESS BENCH WITH 6 - LEGS

PARTS LIST





PART NO	FIGURE	DESCRIPTION	Q'TY
01		Hardware Bag	1 Pce
13		Bench Top	1 Pce
07		Side Leg	4 Pcs
08		Center Leg	2 Pcs



Assembly Instructions

BACKLESS BENCH WITH 6 - LEGS

HARDWARE PARTS :

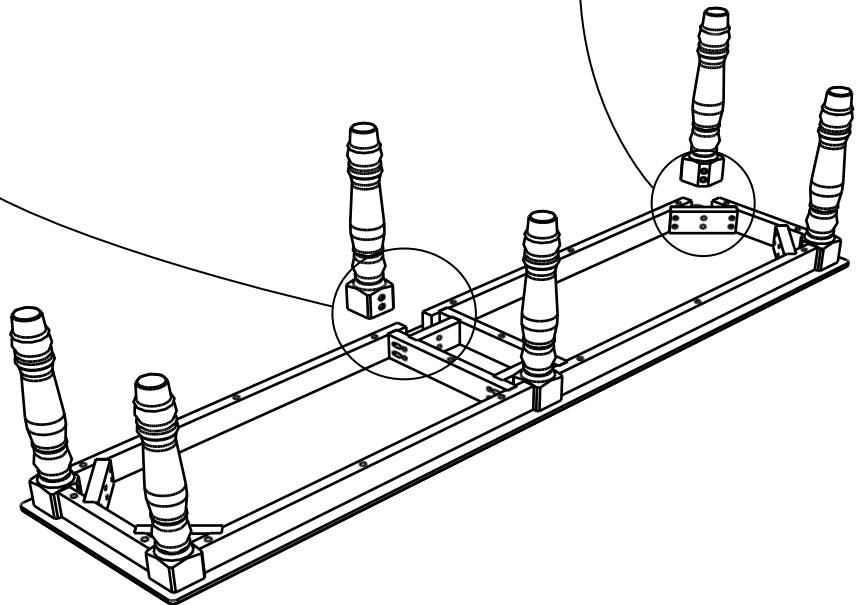
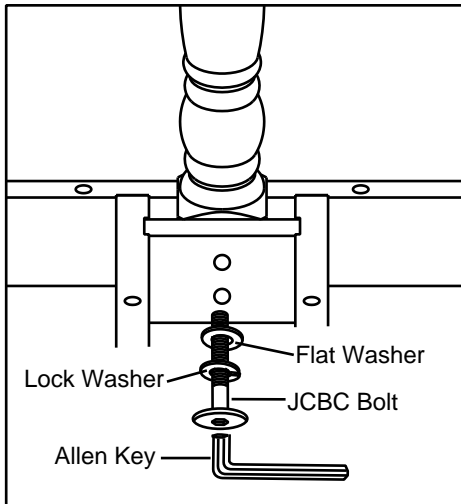
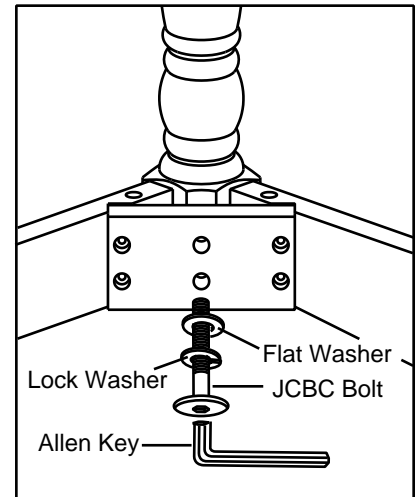
			
JCBC Bolt 12 pcs	Lock Washer 12 pcs	Flat Washer 12 pcs	Allen Key 1 pc

NOTE: The unit should be assembled by 2 or more people.

ASSEMBLY :

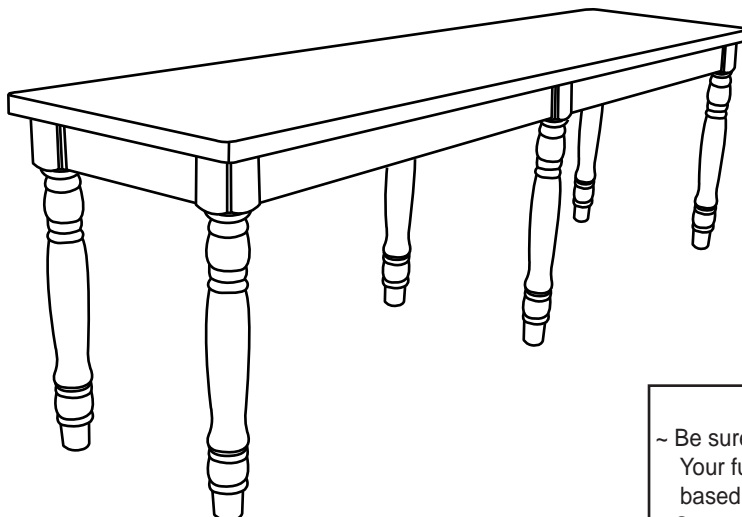
STEP 1

Turn the Bench Top upside down on a protective surface such as carpet or other soft material. Place the Bench Leg to corner of Apron, then tighten the **Flat Washer, Lock Washer** and **JCBC Bolt** using the **Allen Key** provided. Repeat the same for the other legs.



STEP 2

Set Bench upright on its legs.



CARE INSTRUCTION

- ~ Be sure to use the same type of polish consistently. Your furniture will appear cloudy or streaky if oil based or wax based polishes are interchanged.
- ~ Spray your furniture surface evenly. Wipe in a circular motion with a soft clean cloth.