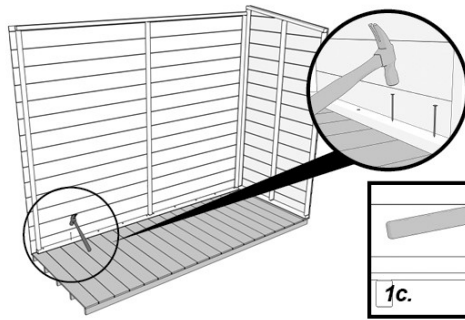
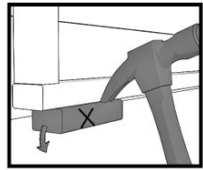


Pent Bike Store



- 1.a Lay the floor down in the desired position, check that the floor is level using a spirit level before proceeding.
- 1.b Each floor joist should be as near as possible supported along its full length to prevent the floor from dipping in the middle.
- 1.c Ensure 65mm nails are driven through the side and gable panel base rails, through the floor boards in a position where they will finally penetrate the floor joist.



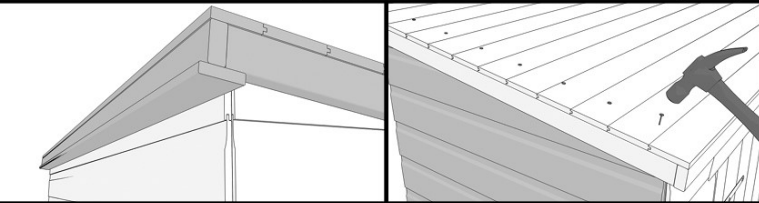
Important

- The floor panel must be laid on a firm level base.
- The underside of this floor must be treated with a quality wood preserver.
- Before starting assembly, you may need to remove transport blocks (marked x) from the bottom of some panels.

1. Base

3. Roof Boards

- 3.a Place the roof panel in position, ensuring that the end with the underside soffit already fastened on the roof is at the highside of the building.



- 3.b Proceed to nail roof to the sides and the gables using the 65mm nails provided.

Important

Before nailing roof into position, check that the overhang is equal at each side and at each end.

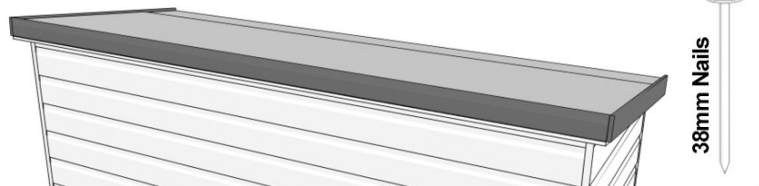
5. Bargeboards

Please be aware that the bargeboards may need cutting to size before installing.

- 5.a Fit the two shorter (gable) bargeboards to the roof panel, trapping the overhanging ends of the roofing felt in between the bargeboard and the roof to provide a weather seal.

- 5.b Fit the longer bargeboard to the roof panel on the high side again trapping the felt to make a weather seal.

Important: There is no bargeboard provided for the lower edge of the roof. This is to allow any rain water to run off the roof.



Treat your building annually: Although it may come with a factory basecoat you should treat your new garden building inside and out shortly after installation with a good quality water resistant treatment. This process should then be repeated annually with care taken to brush the treatment into all wooden components involved within the construction of the building, inside and out.

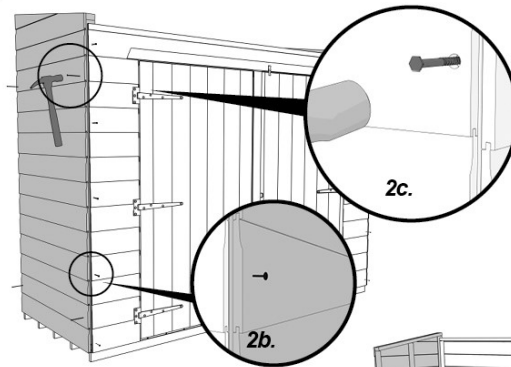
Ensure nothing is in contact with your building: Any overhanging tree or hedge growth poses a threat to your garden building and should be cut back at regular intervals. If a tree branch makes contact with your building it may pierce the roofing felt and encourage water ingress. You should also take care not to allow plants to grow too close to the walls of your building to prevent leaks.

Check and replace any damaged felt: If you do find any damage sustained to your roofing felt over time it is essential that you act upon this without delay. Should you discover a rip or tear in the felt it is recommended that this area be stripped from the roof and a new covering of high grade, heavy duty, mineral felt (which can be purchased online and/or at most retail DIY stores) be affixed immediately.

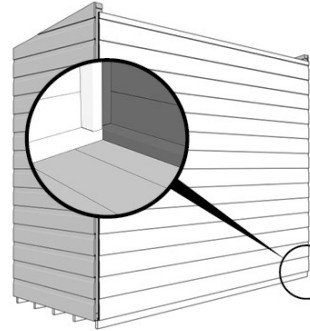
You should also ensure that your new building is covered on your household insurance policy, as we cannot be held responsible for damage caused by storms or vandalism.

For more help and advice on installing and maintaining your garden building please visit our comprehensive help centre at: www.tigersheds.com/helpcentre.asp

65mm Nails



Standard Sheds - 80mm Coach Screws
Heavy Duty Sheds - 100mm Coach Screws
x8



Make sure the panels are flush with the corner of the floor to ensure they are properly aligned.

The gables will be taller than the sides to allow for the roof to sit on top of the framing. (fig 2)

Important

Check that the sides are at right angles to the gables and to the floor, then tighten all coach screws to secure the sides and the gables. (fig 1)
The floor panel must be laid on a firm and level base.

2. Gables & Sides

2.a Position one end gable panel on to one end of the floor panel.

2.b Offer up a side wall panel and secure this to the gable by using the 38mm nails through the sides in to the gables.

2.c Then use the coach screws provided, through the pre-drilled holes in the gable, from the outside.

2.d Place the second gable panel in position and secure this to the side panel, again using the coach screws provided.

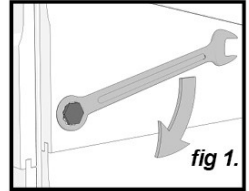
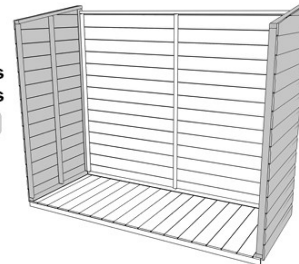


fig 1.

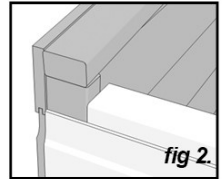


fig 2.

4. Roof Felt

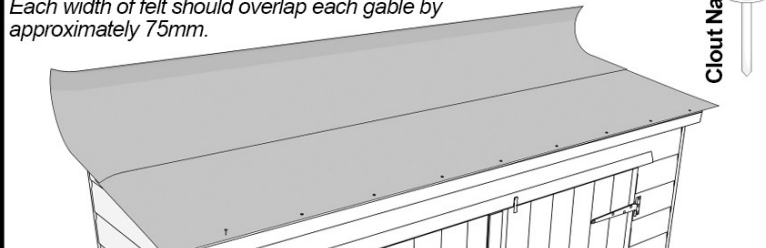
Please be aware that certain sizes of building may need the roll of felt cutting in to more than two pieces.

- 4.a Roll out the roofing felt starting at the front of the roof on the low side.

- 4.b Roll out the next width of roofing felt and ensure that this overlaps the previous layer by approx 150mm. Make sure that the last width of felt overlaps the back of the shed and is held in place by trapping it between the back bargeboard and the back high side of the roof spars.

Important

Each width of felt should overlap each gable by approximately 75mm.



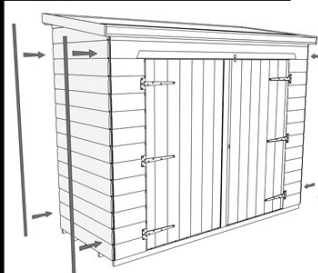
Clout Nails

6. Corner Strips

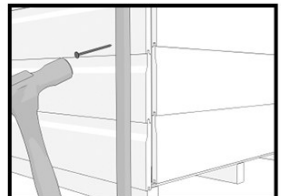
- 6.a Secure the corner strips at each corner of the shed with the 38mm nails provided.

Important:

Please be aware that these corner strips may need cutting to size.



38mm Nails



Check List

- | | |
|---|--|
| <input type="checkbox"/> x1 Floor | (Found In Polytube Pack) |
| <input type="checkbox"/> x2 Gables (triangular) | <input type="checkbox"/> x4 Bargeboards |
| <input type="checkbox"/> x2 Sides (rectangular) | <input type="checkbox"/> x2 Diamond Finals |
| <input type="checkbox"/> x2 Roof Panel | <input type="checkbox"/> x4 Corner Strips |
| <input type="checkbox"/> Roofing Felt | <input type="checkbox"/> Fixing Pack |