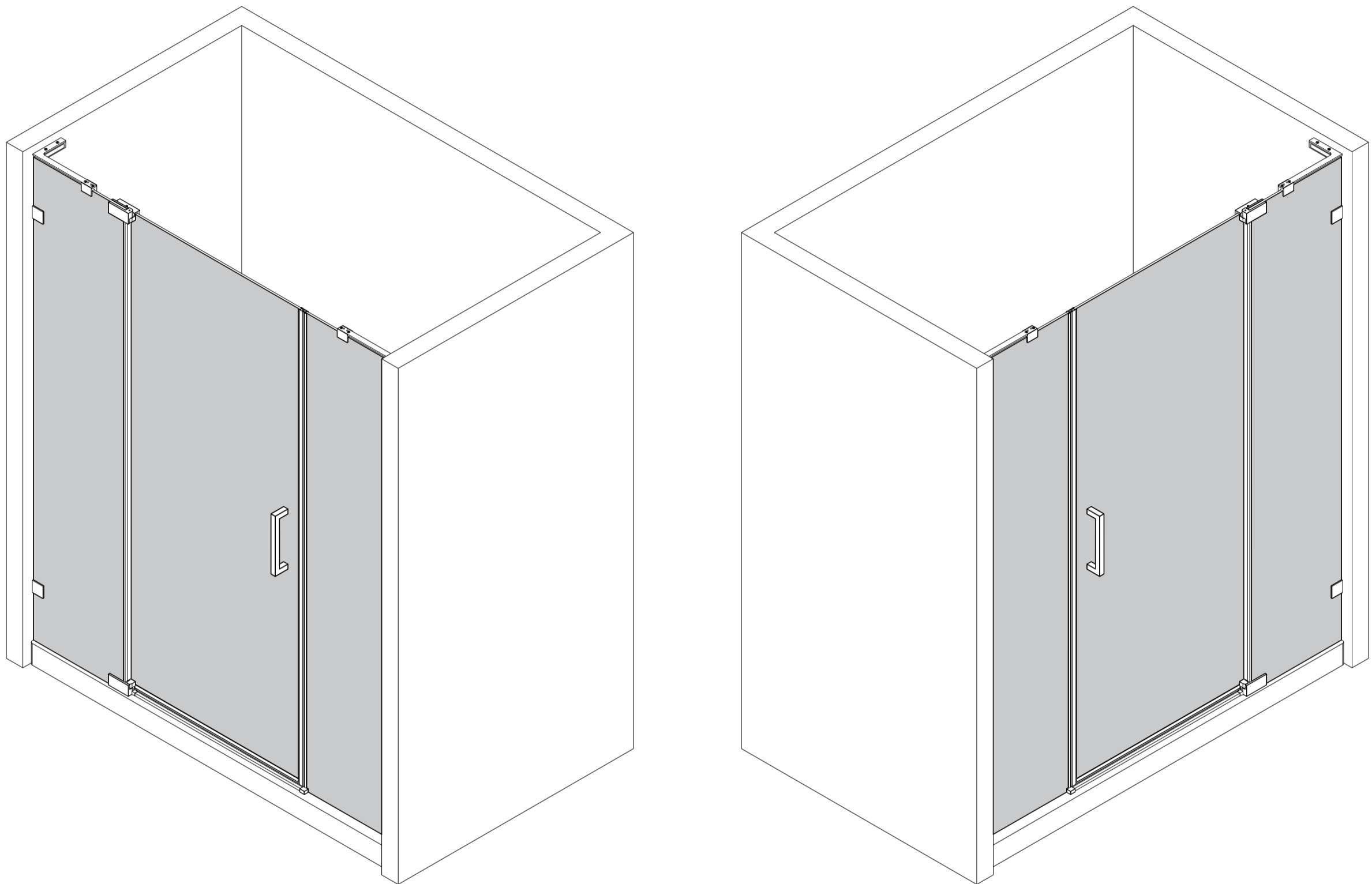


Shower Door Installation Instructions



**Please do not return the product to the store.
Contact us with any questions.**

Model Specific Preparation

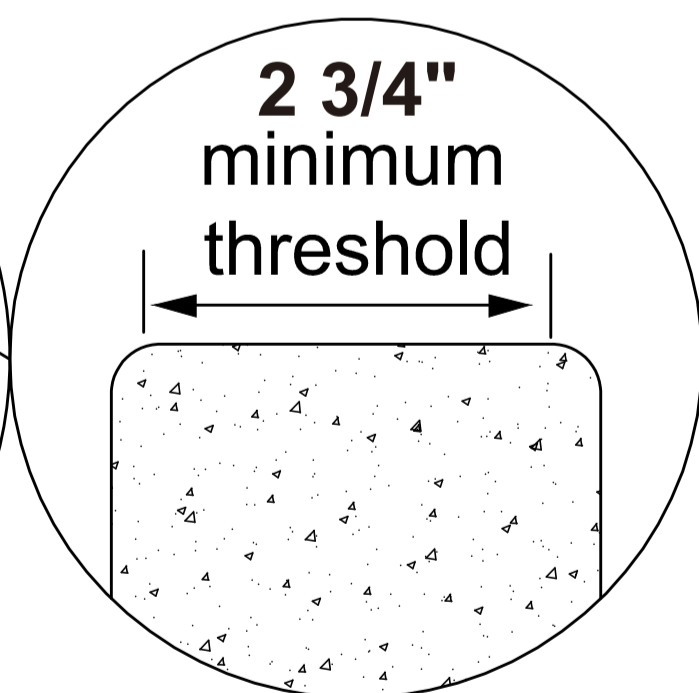
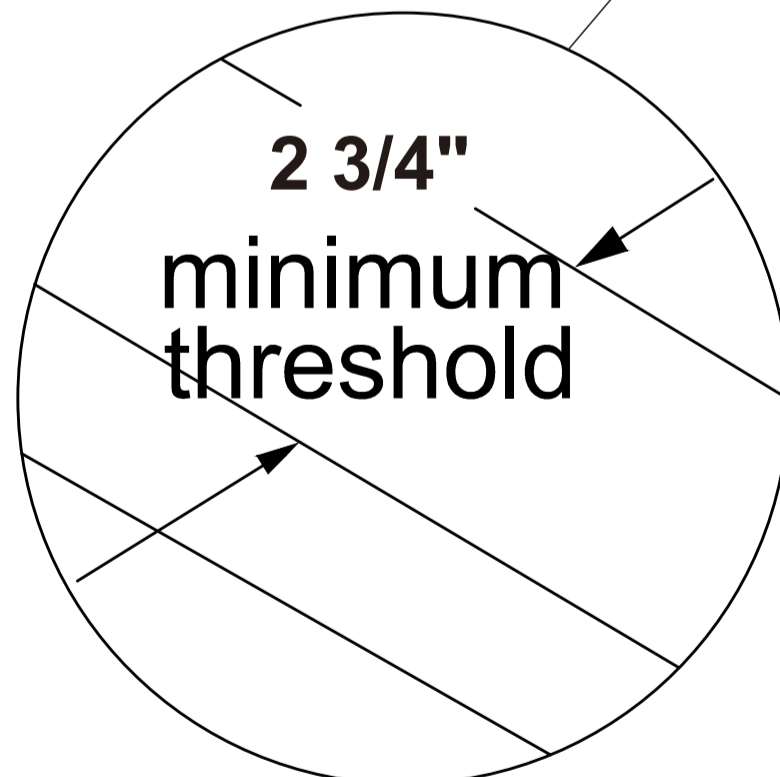
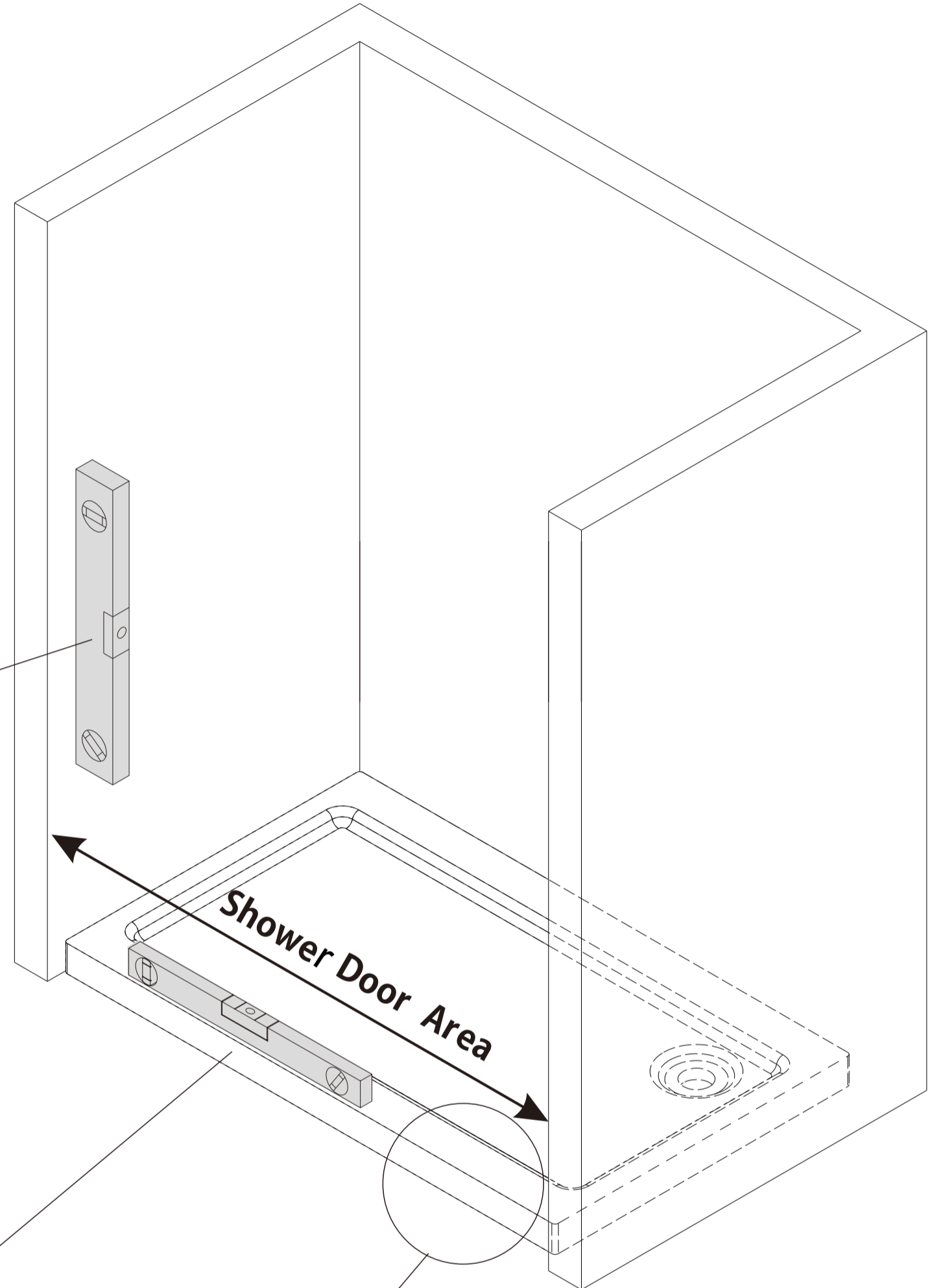
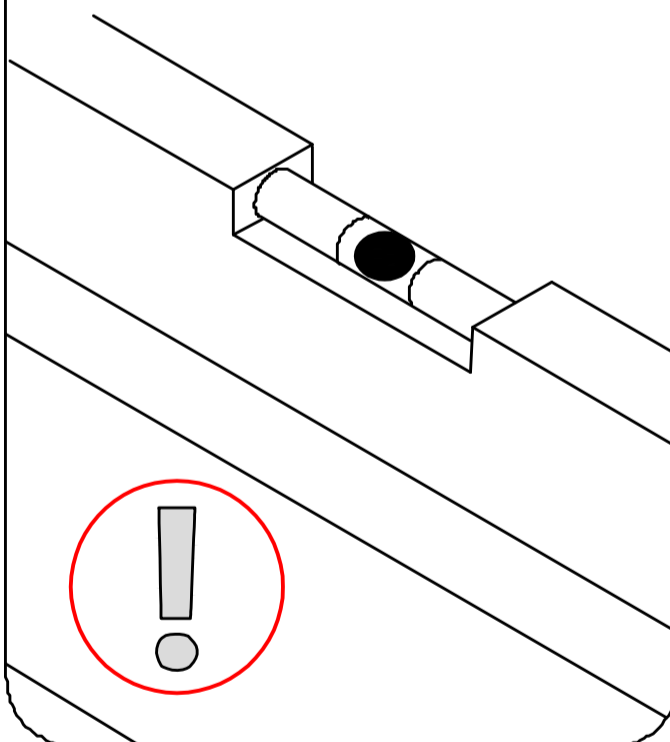


REQUIRED:

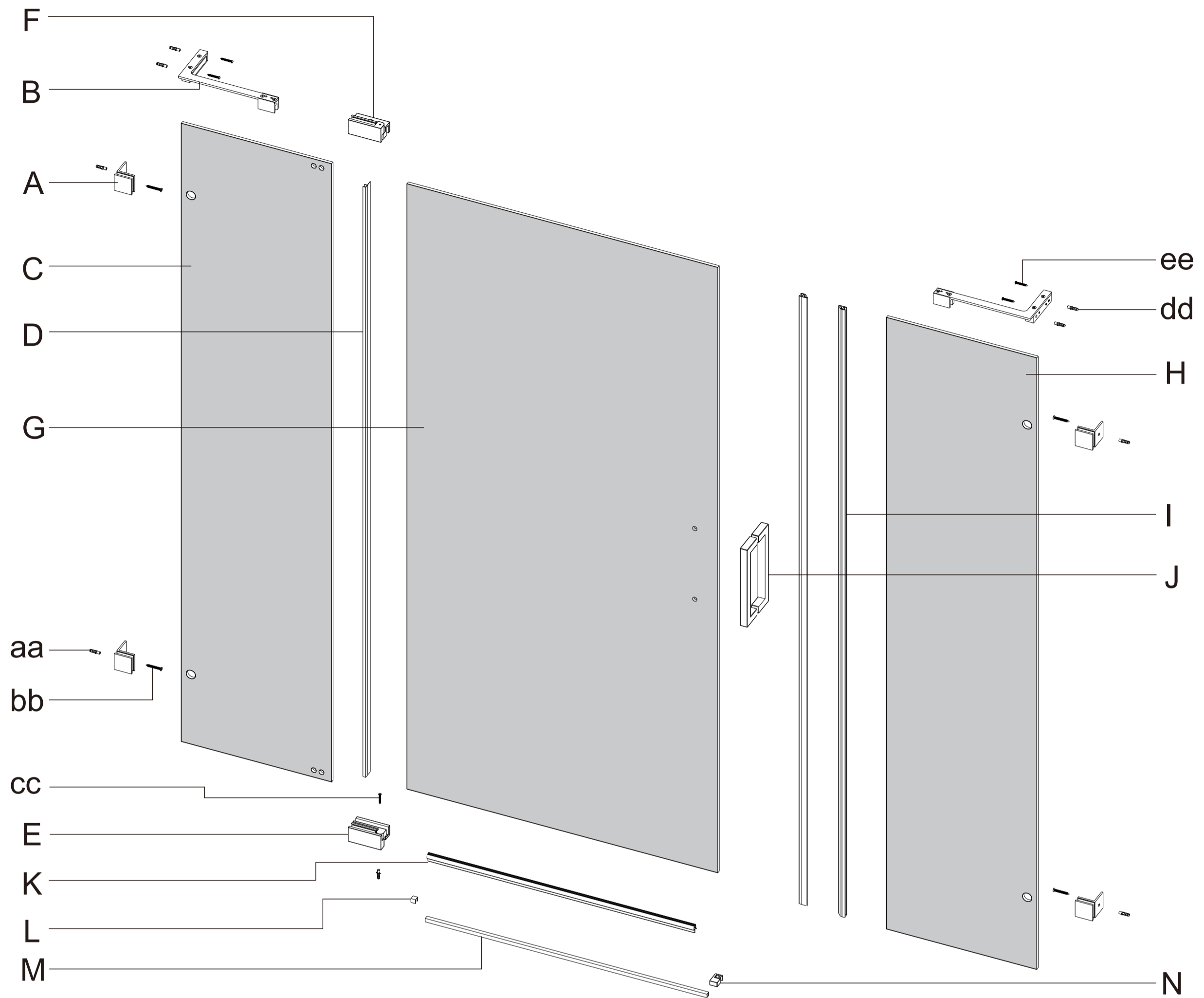
Verify threshold and wall with a level.

1/4" (6mm) Maximum out of plumb adjustment from top to bottom

Threshold must be level.



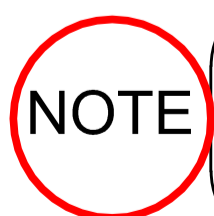
PACKAGE CONTENT



PACKAGE CONTENT

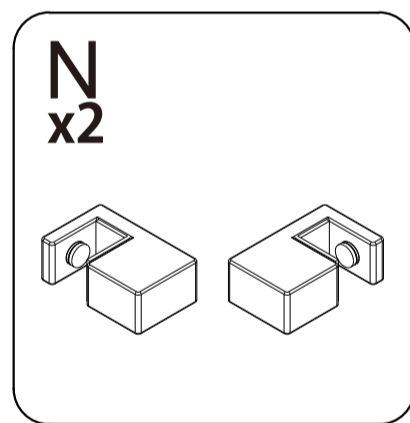
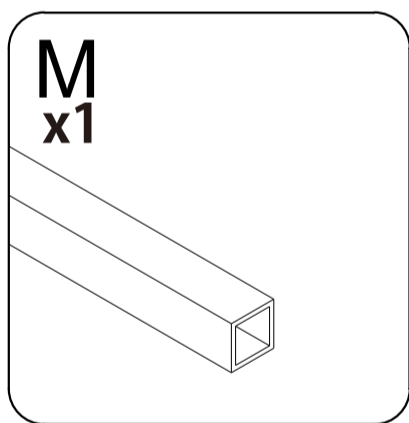
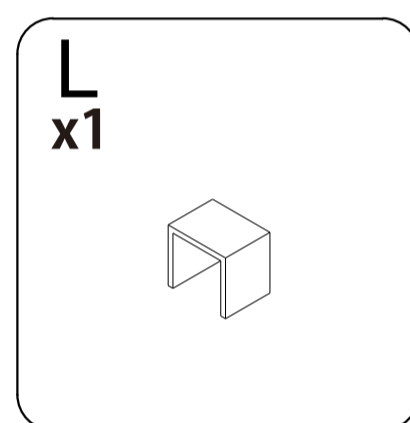
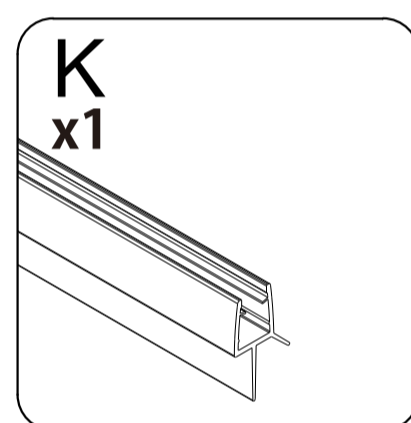
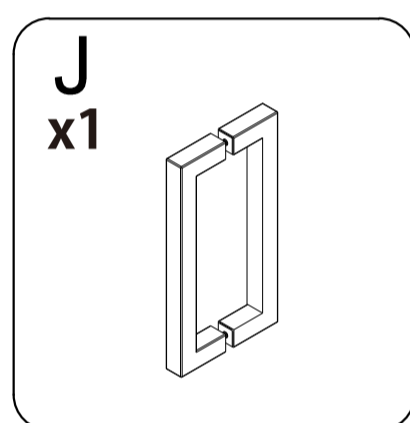
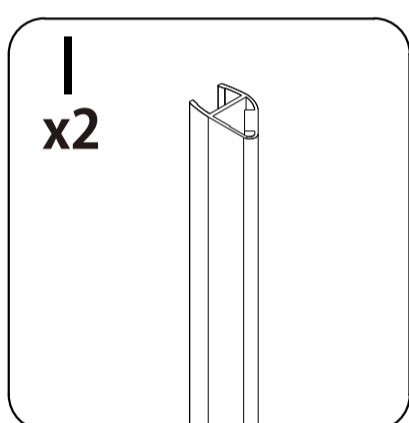
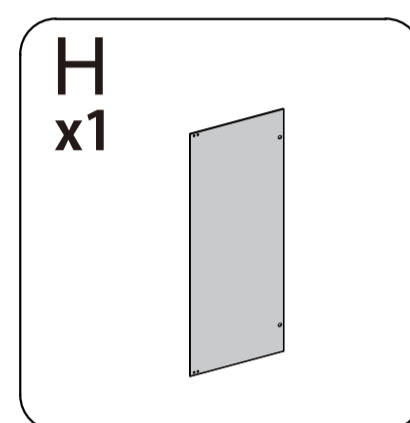
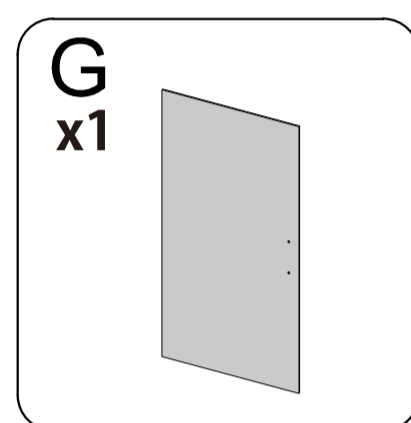
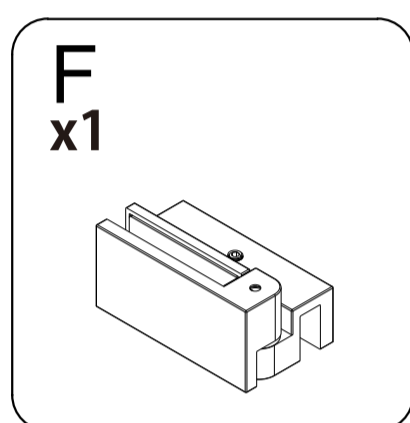
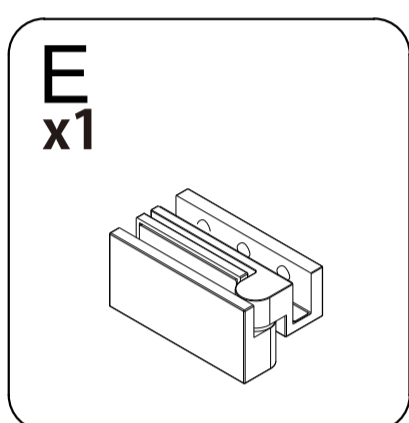
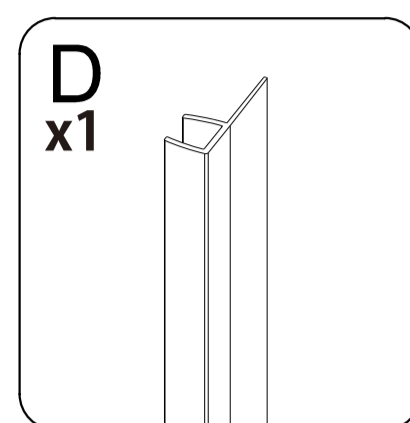
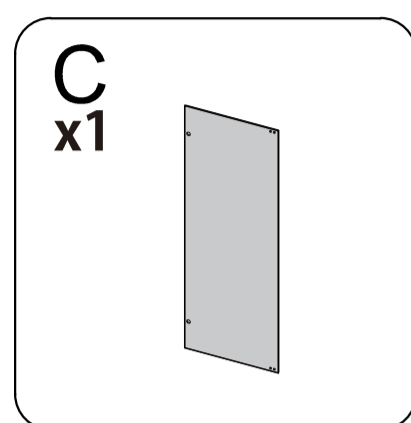
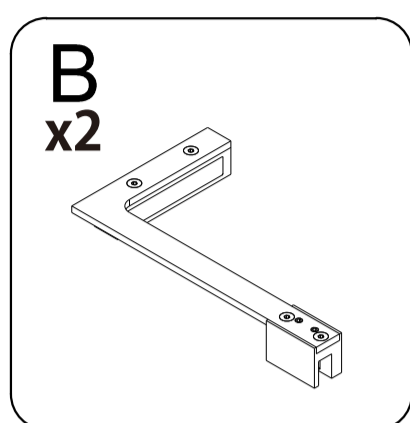
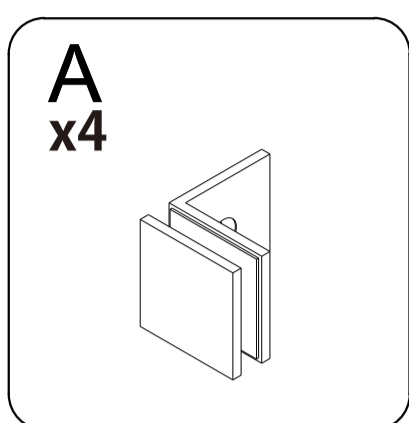
PART#	DESCRIPTION	QTY
A	Connectors	4
B	Pull Rod	2
C	Stationary Glass	1
D	Anti-Water Strip	1
E	Pivot Sleeve	1
F	Pivot Sleeve	1
G	Glass Door	1

PART#	DESCRIPTION	QTY
H	Stationary Glass	1
I	Magnetic Strip	2
J	Handle	1
K	Bottom Anti-Water Strip	1
L	Decorative cover	1
M	Alu. Threshold	1
N	Connectors	2



Inspect all parts for missing prior to installation!
Contact us for any part missing.

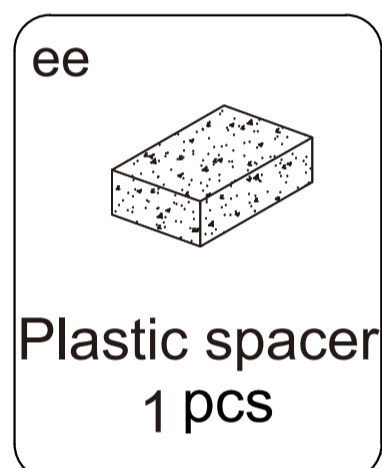
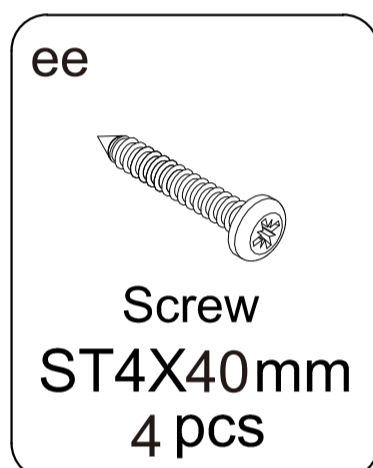
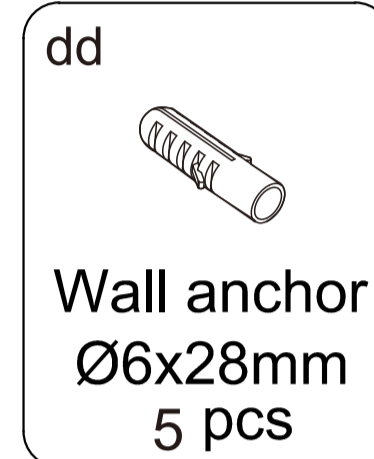
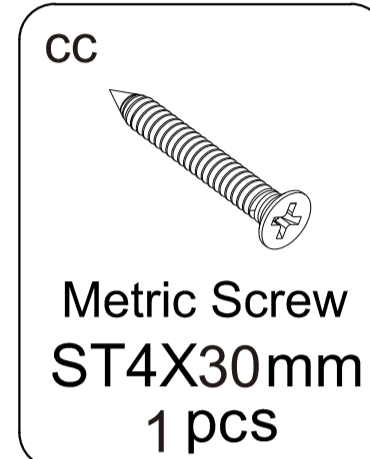
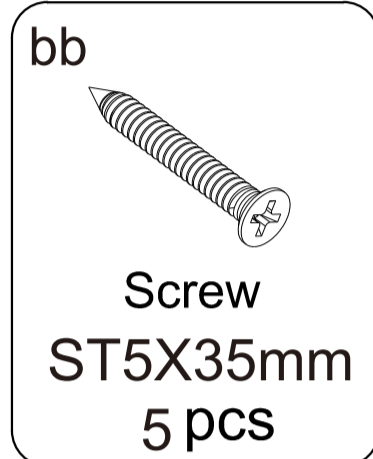
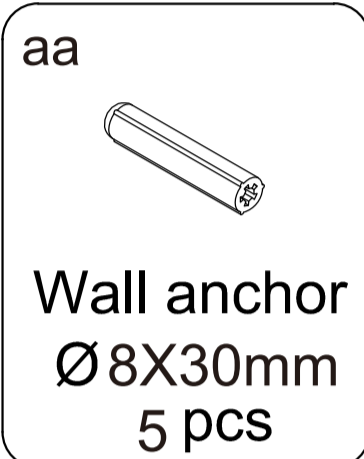
PACKAGE CONTENT



HARDWARE CONTENT



Additional spare parts are included.

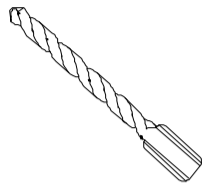


NOTE

Inspect all parts for missing prior to installation!
Contact us for any part missing.

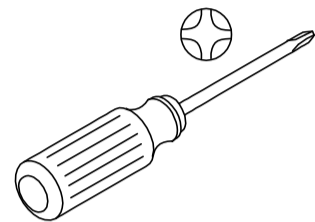
TOOLS REQUIRED

Drill Bits

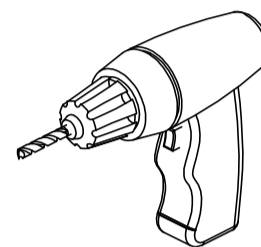


Ø1/8" & Ø1/4" (3&6mm) dia.
HSS

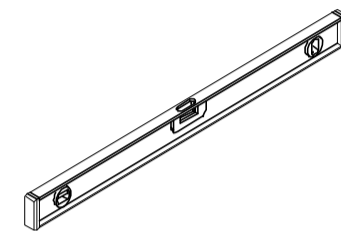
Phillips screw driver



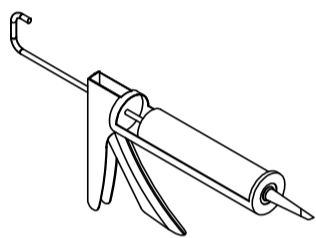
Electric hand drill



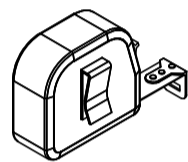
Level



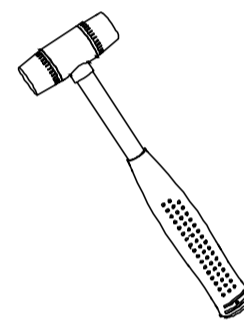
Caulkinggun



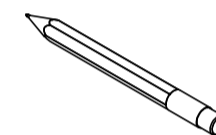
Measuring Tape



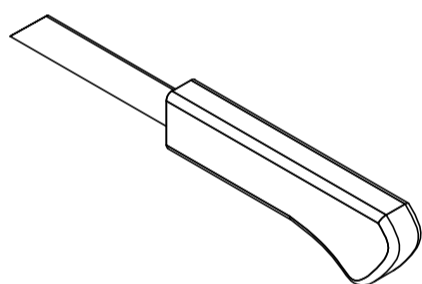
Soft Head Hammer



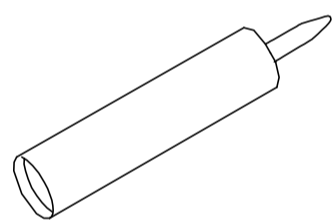
Marking Pencil



Utility Knife



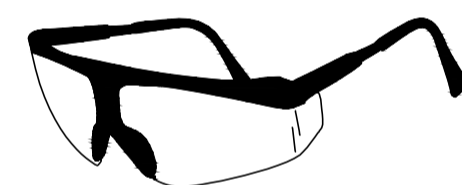
Sealant



MASONRY DRILL BIT FOR TILE
Ø6mm



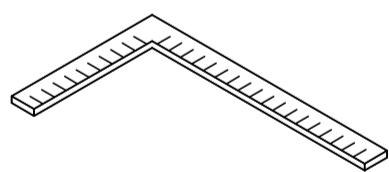
Safety Glasses



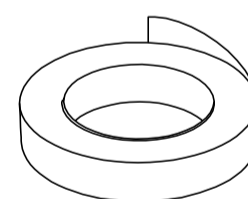
Gloves



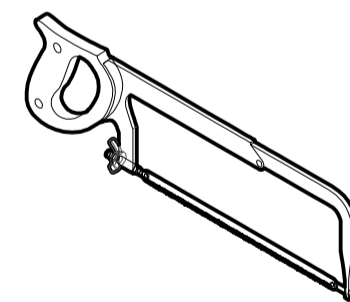
Carpenter's Squarer



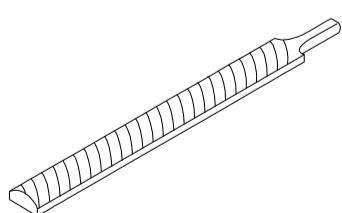
Masking or painter's tape



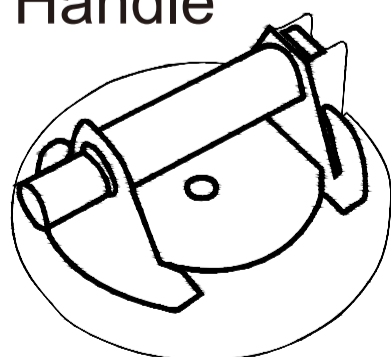
Hack Saw



Metal File



Glass suction Handle



SAFETY INFORMATION

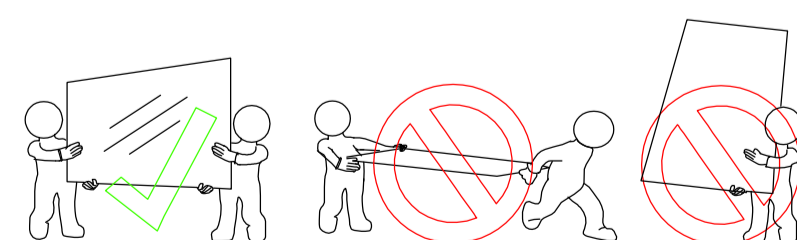
CAUTION

Please carefully read the following important safety information before handling or installing this shower door . There is a risk of serious injury while handling this product.

To minimize these risks, please note:

- Always wear safety glasses and gloves while handling.
- Always follow the installation instructions.
- Inspect glass for damage before installation.
- Extreme caution should be taken while handling the glass during installation as the tempered glass may shatter if in contact with a hard surface.
- Do not cut or modify the tempered glass as it will shatter if cut.
- Carefully remove product from packaging and keep packaging until installation is complete.
- Inspect all parts for damage or missing; if there is damage or part missing to the unit prior to installation, please contact customer service at the number provided in this guide.
- Cover the drain with tape to prevent the loss of small parts.
- The shower base and finished walls should be installed before beginning the shower door installation.
- During the installation,protect the shower floor with a drop cloth to avoid damage.
- This product should be installed by two people who are familiar with construction requirements.Professional installation is recommended!
- Keep this installation manual for future reference.

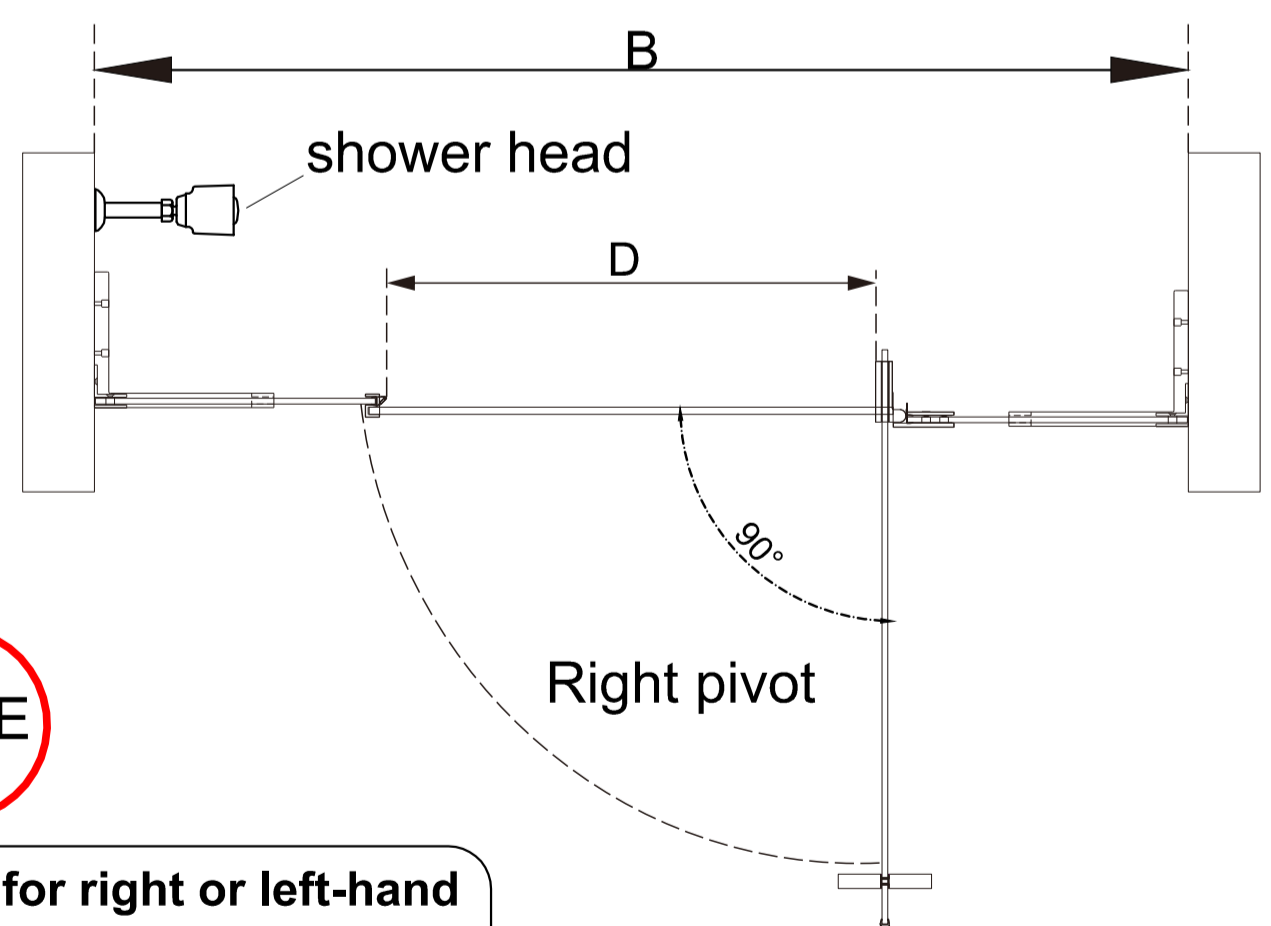
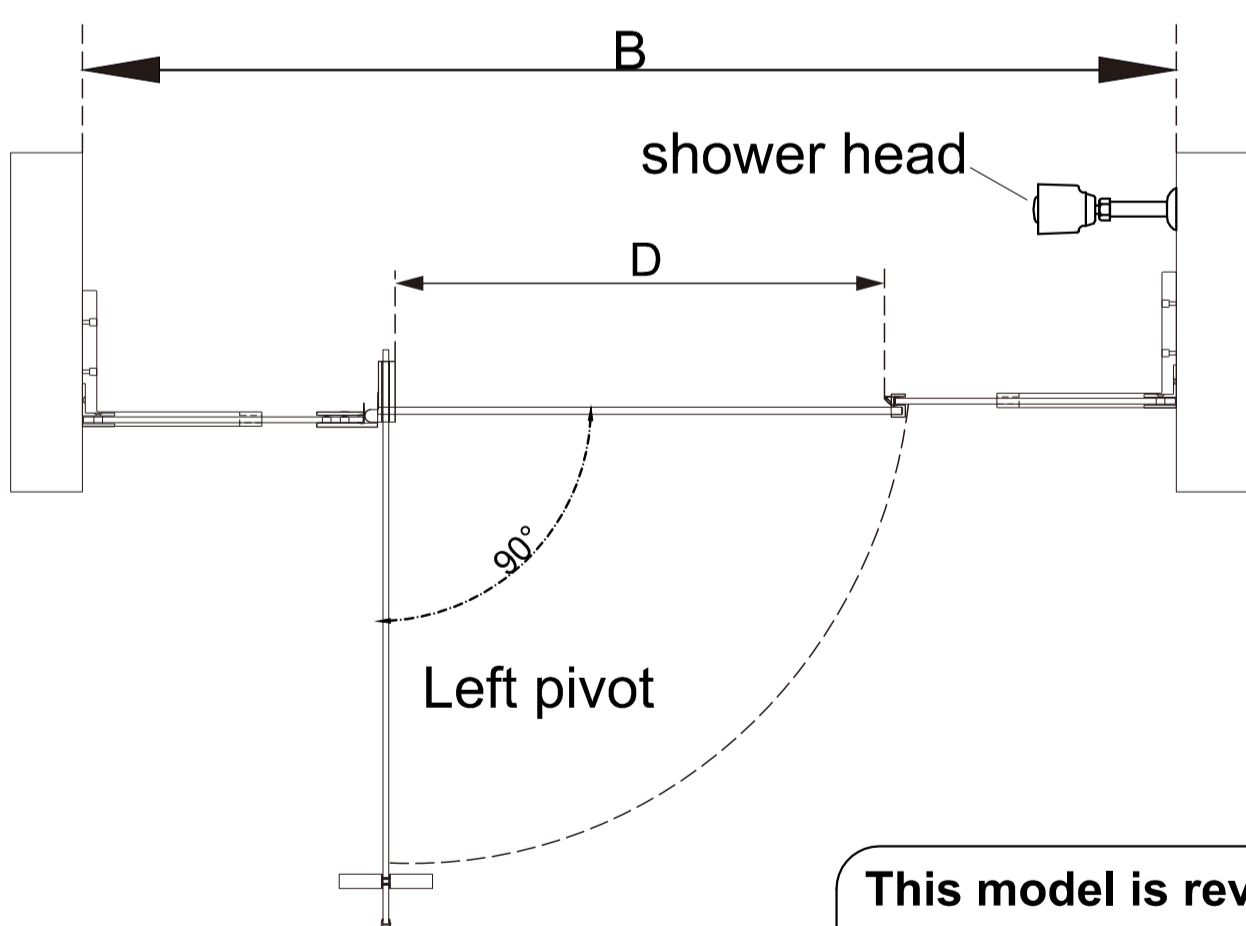
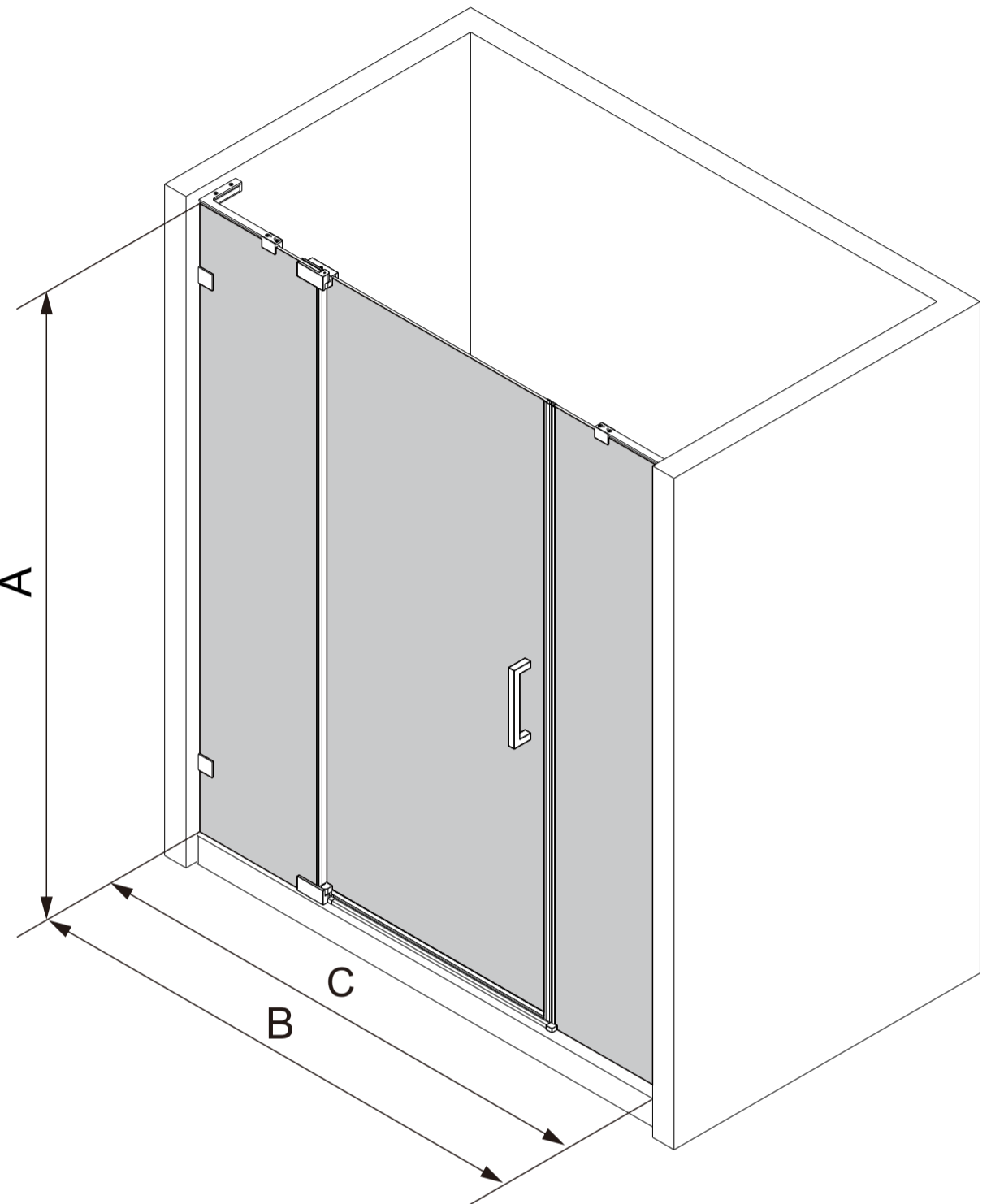
NOTE: Two people should perform this installaton.



Model Dimensions

configuration dimensions:

A Product Height	B Model width	C Installation width	D(Opening)
70"	60"	56"~60"	22-7/8"~26-7/8"



NOTE

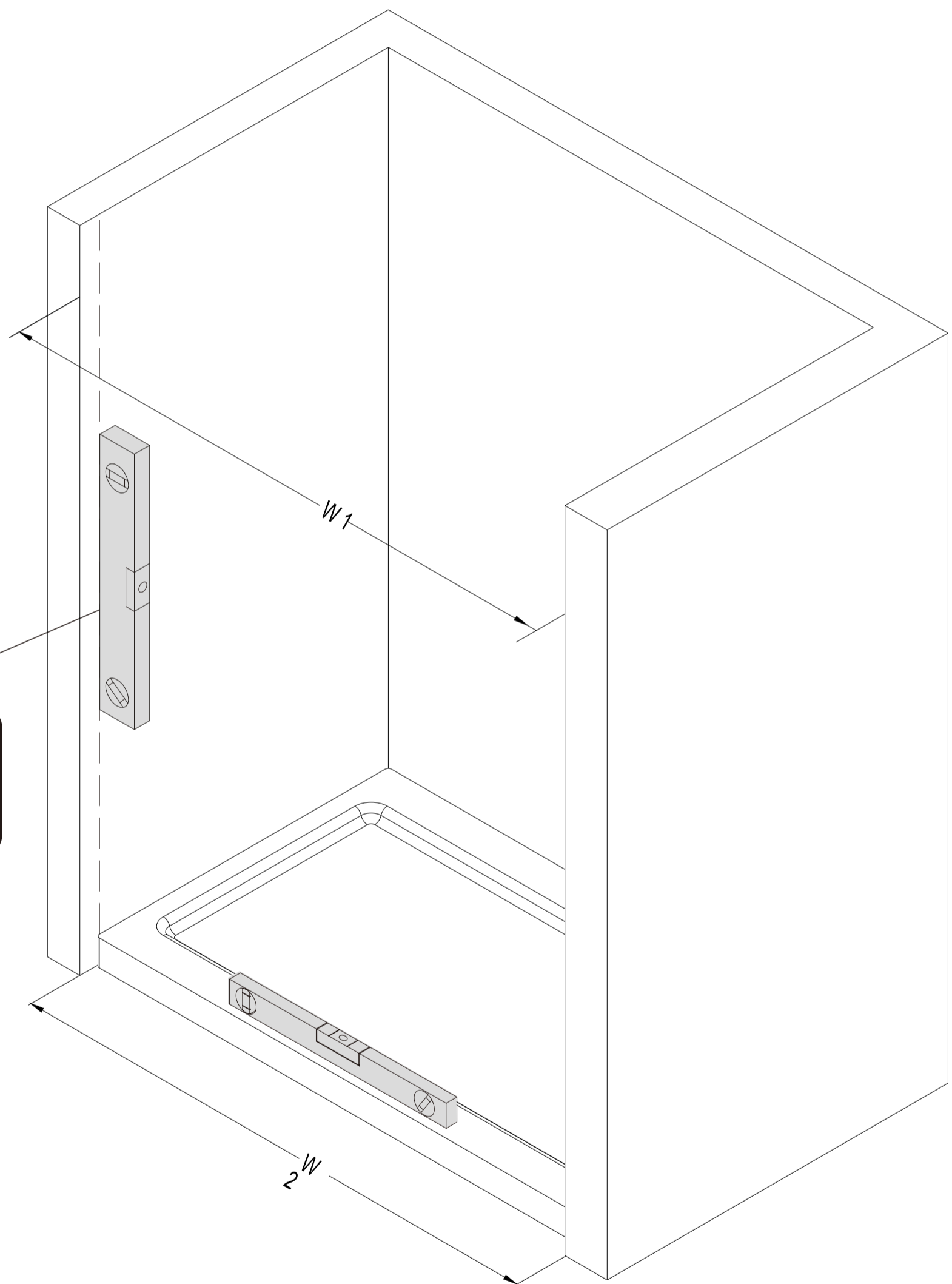
This model is reversible for right or left-hand door installation. The left-hand door installation is shown throughout this manual. For the right-hand door installation, simply begin on the opposite wall and reverse the orientation of the installation steps shown.

1 Measure the finished opening width.

NOTE

- 1. Measure the finished opening width at the bottom and at the model height.
- Use these dimensions as "W1" (top) and "W2"(bottom) in step #2.
- 2. Also check the threshold for level and the walls for plumb.

1/4"(6mm) Maximum out of plumb adjustment from top to bottom

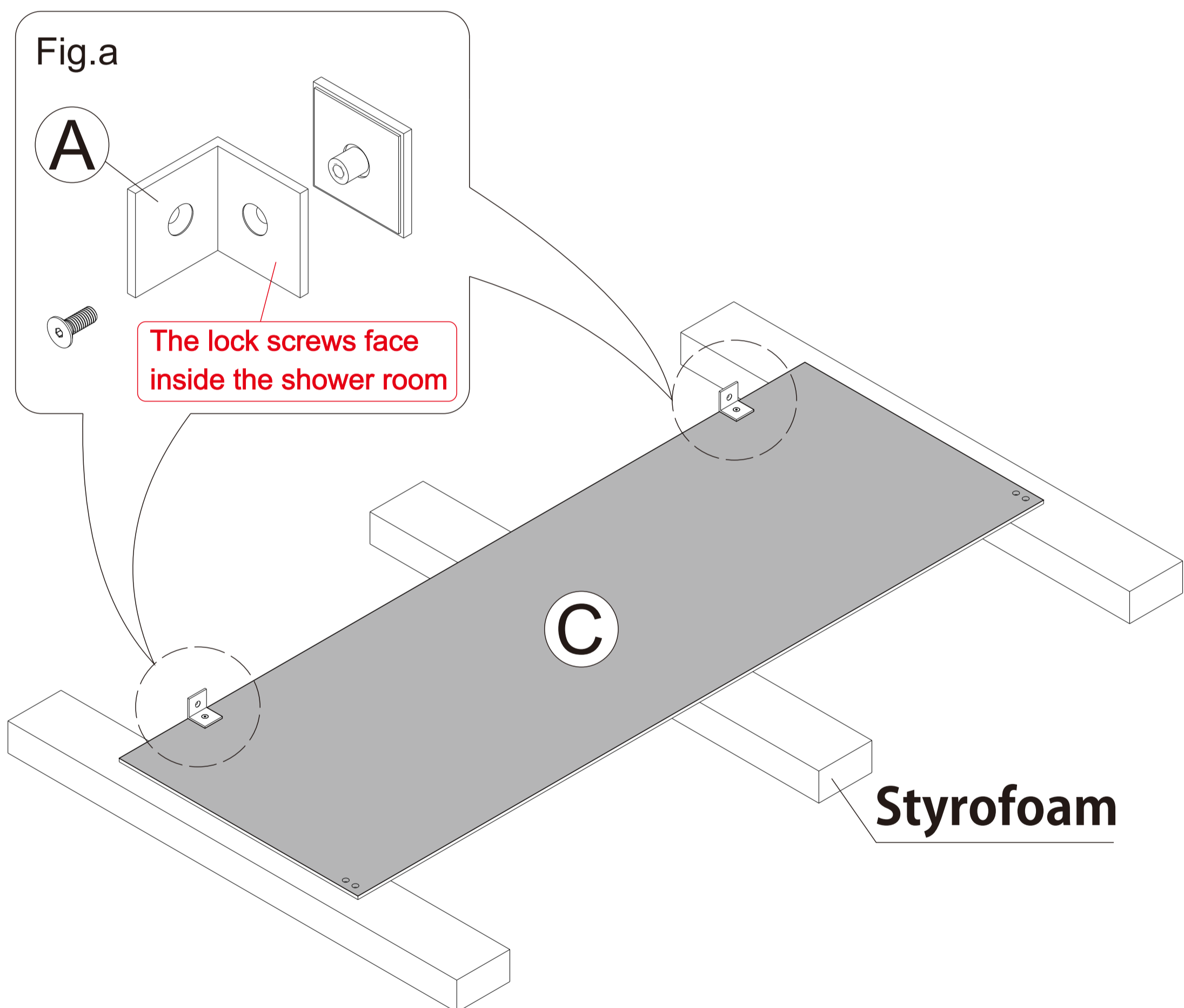


_____ Finished opening top (W1)
_____ Finished opening bottom (W2)

2-1 Install **Connectors(A)**

NOTE

1. Install the **Connector(A)** to the **Stationary Glass(C)** as Fig.a .



Note: The shower door can be installed left or right, according to the need to determine the installation direction.

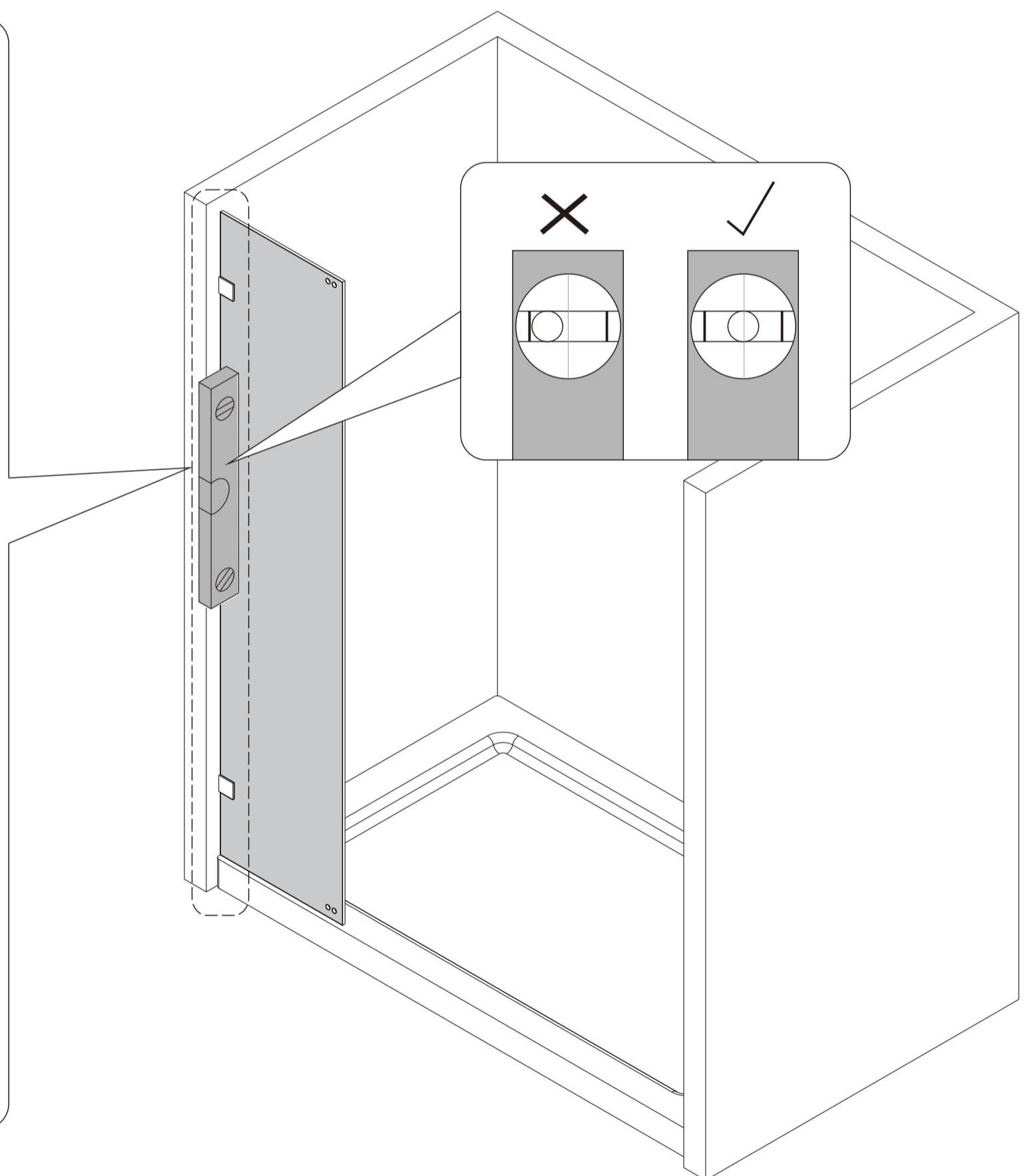
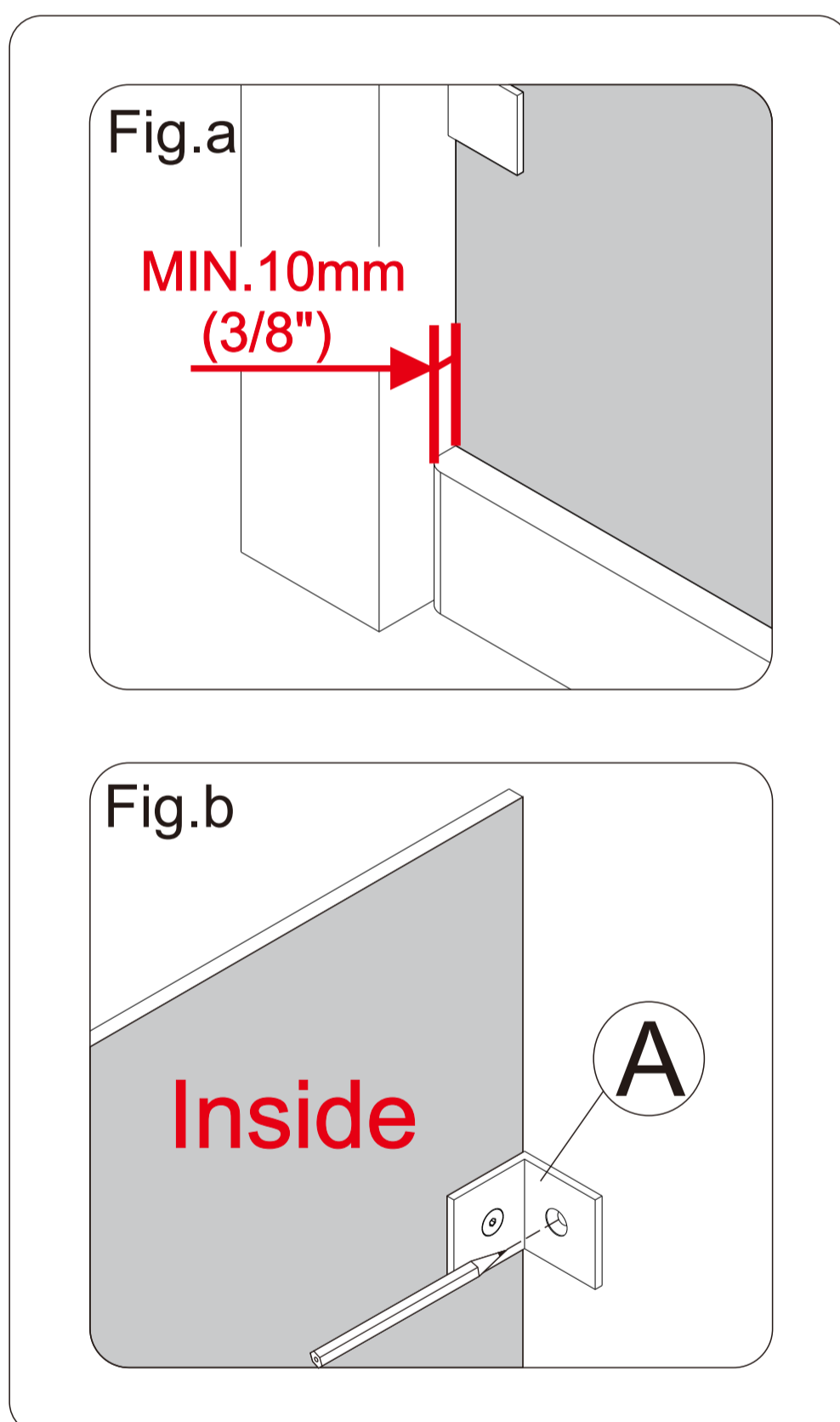


CAUTION: Do not put glass directly on the ground

2-2 Determine the tray edge distance

NOTE

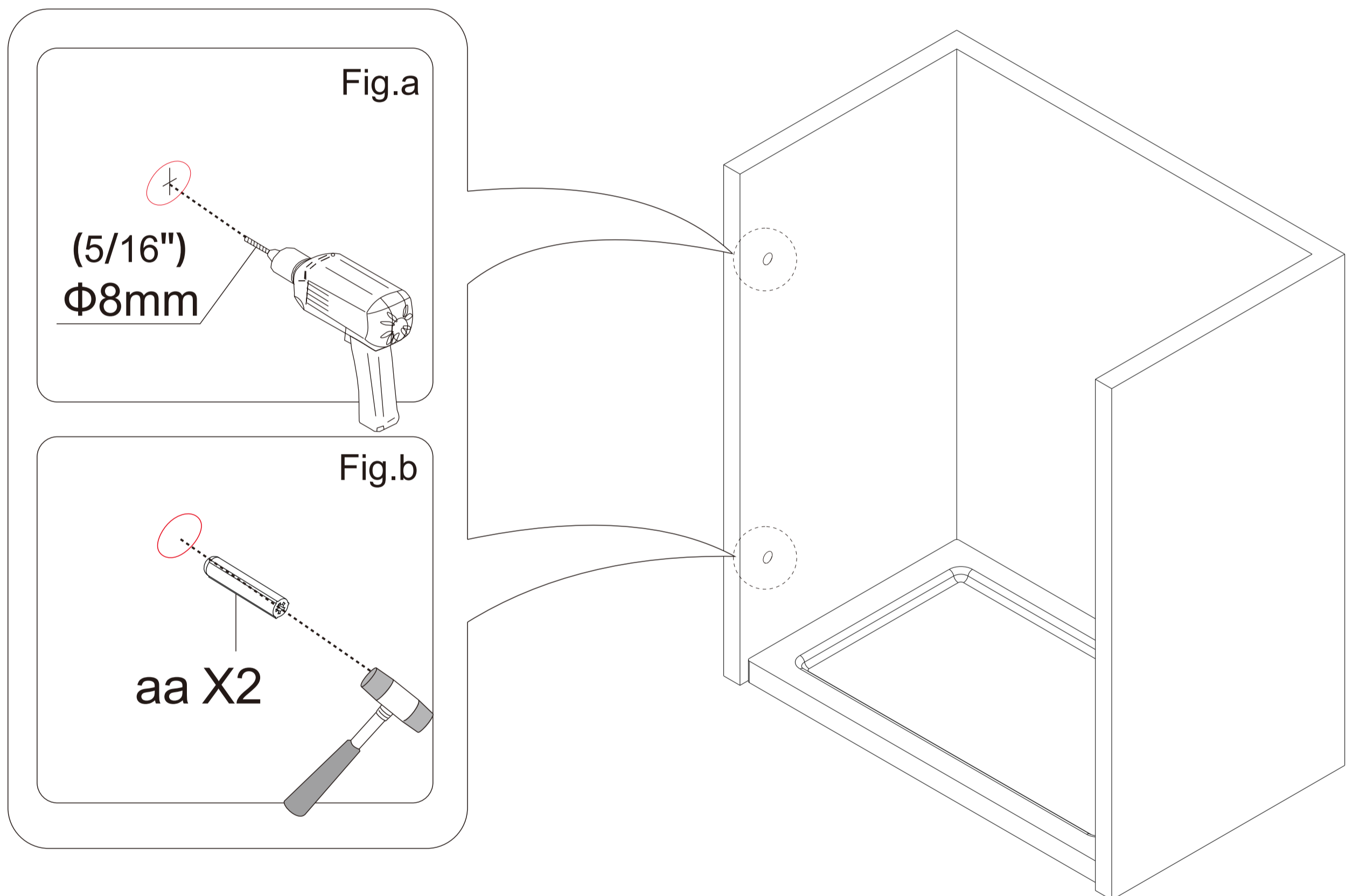
1. Determine your starting point from the edge of tray (3/8" (10mm) is recommended) and mark the position as Fig.a.
2. Use a pencil to mark the **Connector(A)** holes as Fig.b .



Note: The shower door can be installed left or right, according to the need to determine the installation direction.

2₋₃ Install **Wall Anchor(aa)**

- NOTE**
1. Drill holes with $\Phi 8\text{mm}$ (5/16") drill bit as Fig.a.
 2. Insert **Wall Anchors(aa)** as Fig.b.



- NOTE**
- If a Stud is present behind the wall:
drill $\Phi 5/32''$ (4mm) pilot holes into the stud and use the ST5.0x35mm **Screws(bb)**
OR
 - If NO Stud is present behind the wall:
drill $\Phi 5/16''$ (8mm) holes and insert the **Wall Anchors(aa)** and use the ST5.0x35mm **Screws(bb)**.

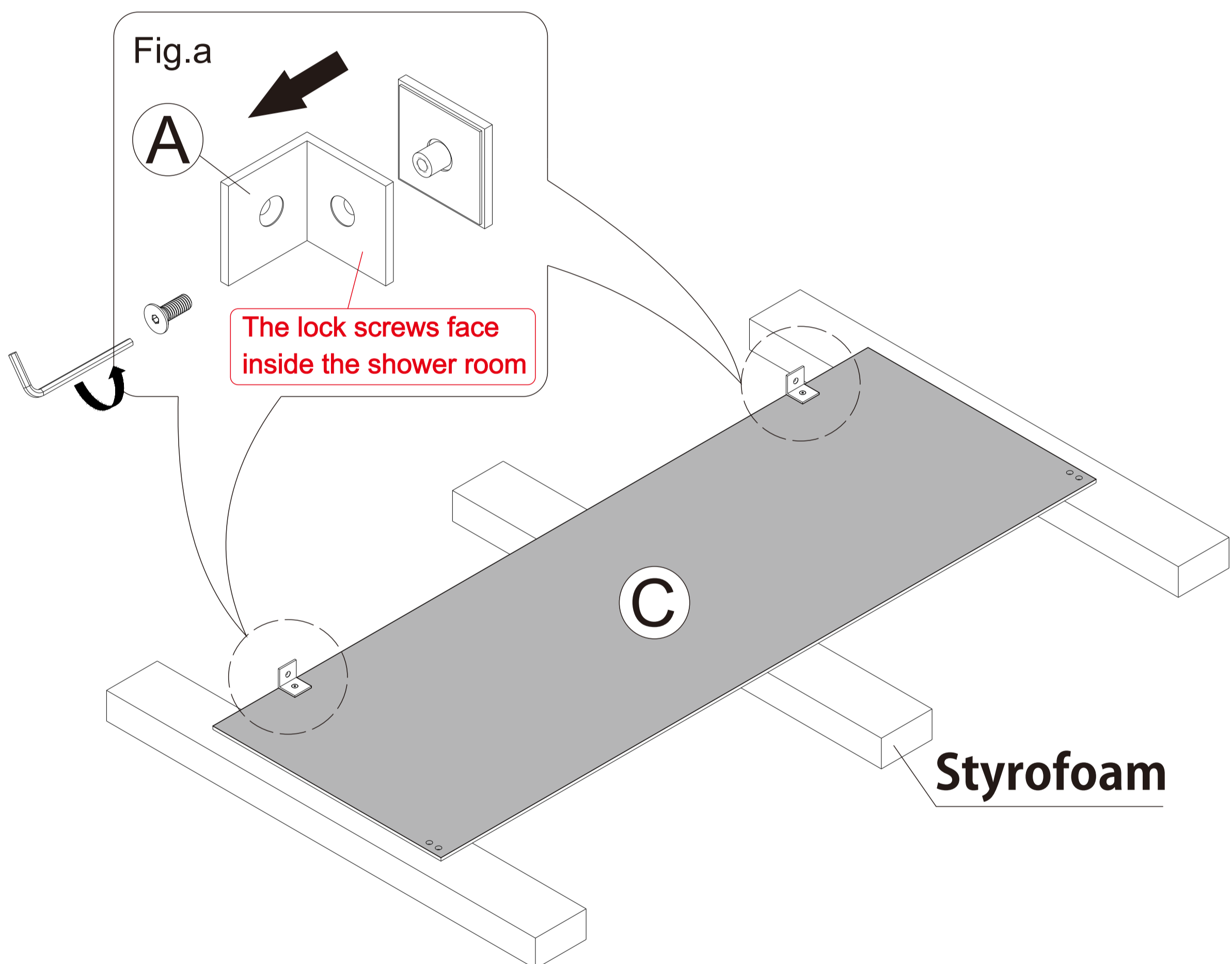


Note: The shower door can be installed left or right, according to the need to determine the installation direction.

2-4 Remove the connectors(A)

NOTE

1.Remove the **Connectors(A)** from the **Stationary Glass(C)** as Fig.a



Note: The shower door can be installed left or right, according to the need to determine the installation direction.

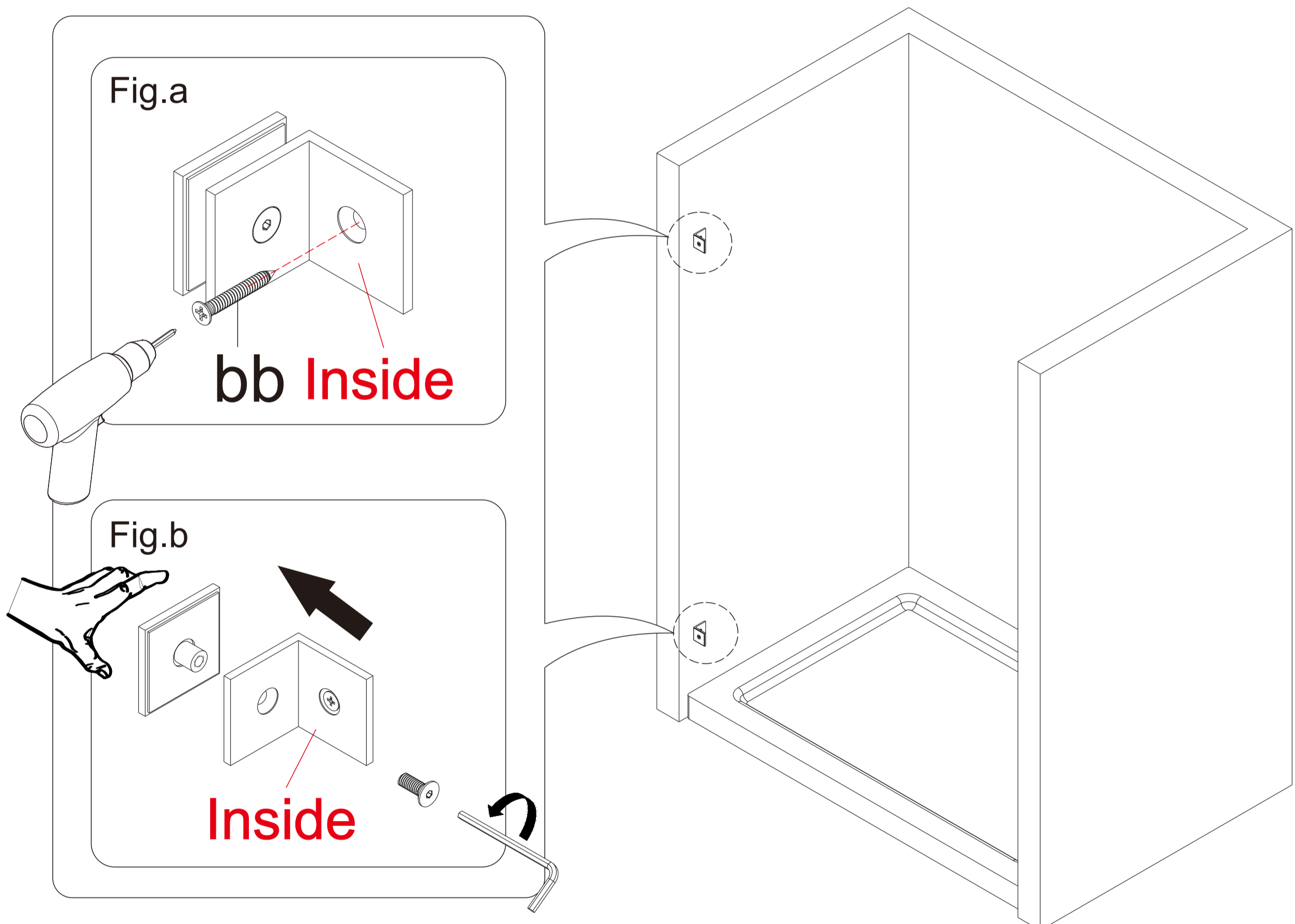


CAUTION: Do not put glass directly on the ground

2-5 Install Connectors(A)

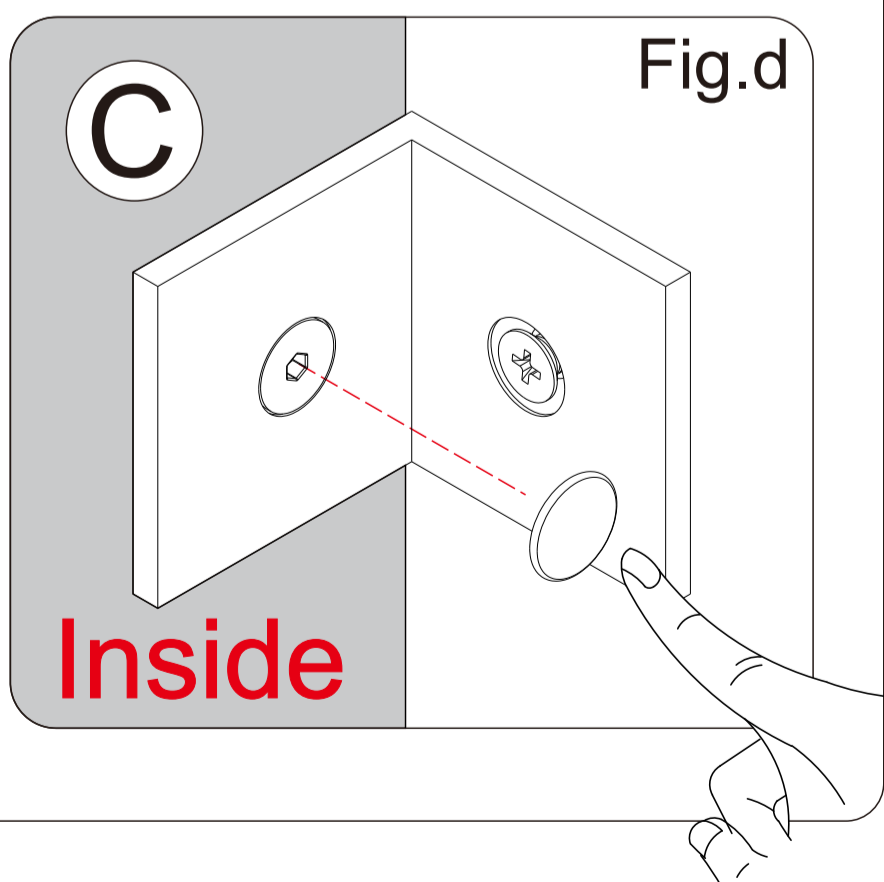
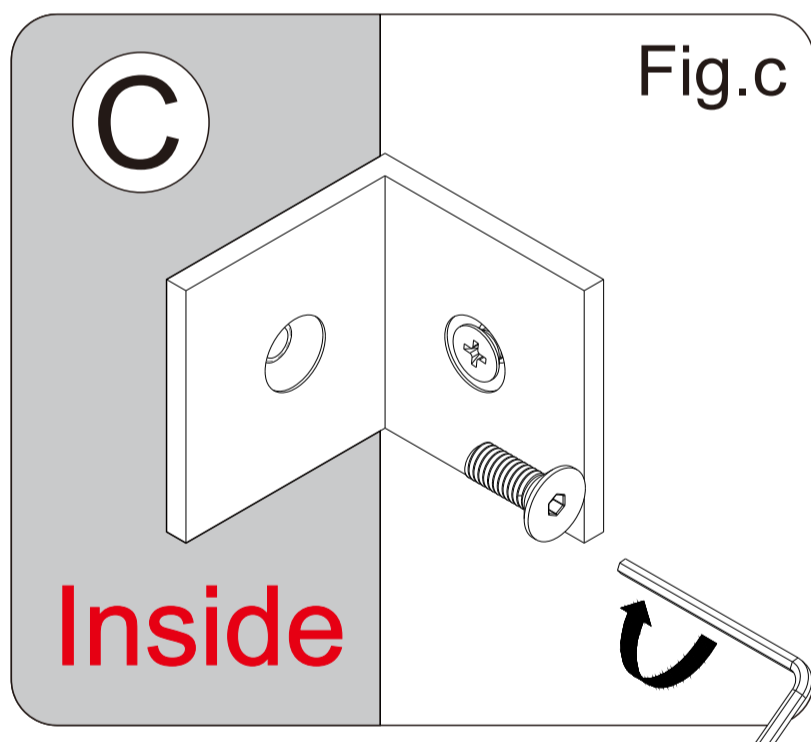
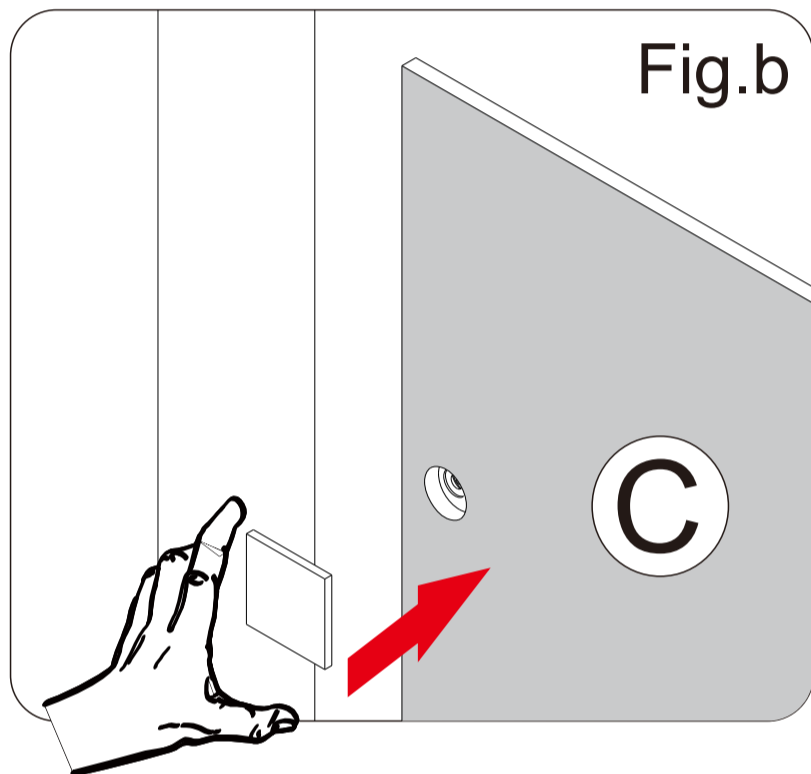
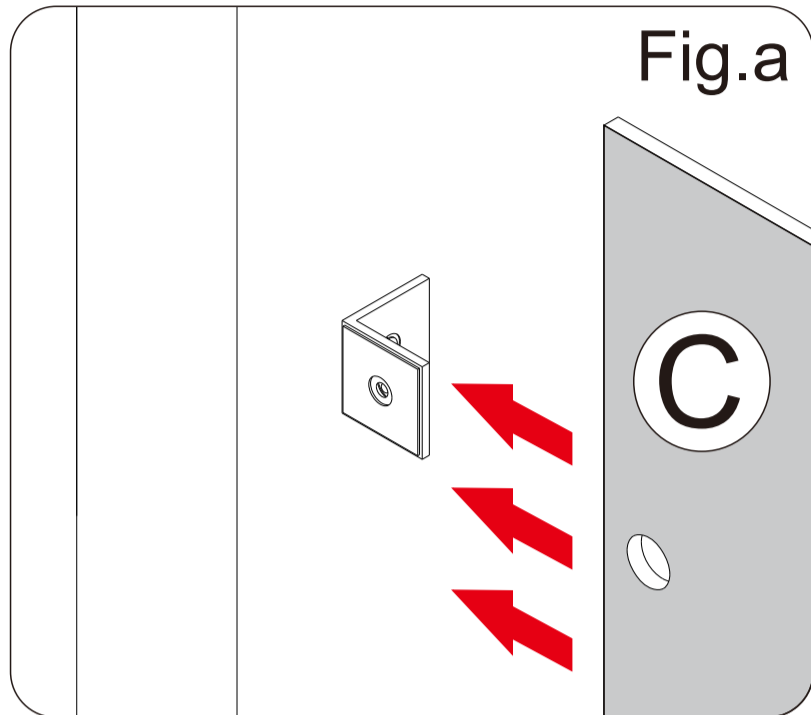
NOTE

1. Secure the **Connectors(A)** to the wall with **Screws(bb)** as Fig.a.
2. After fixing the **Connector(A)**, take out the **Connector(A)** platen to facilitate the subsequent installation of the **Stationary Glass(C)** as Fig.b



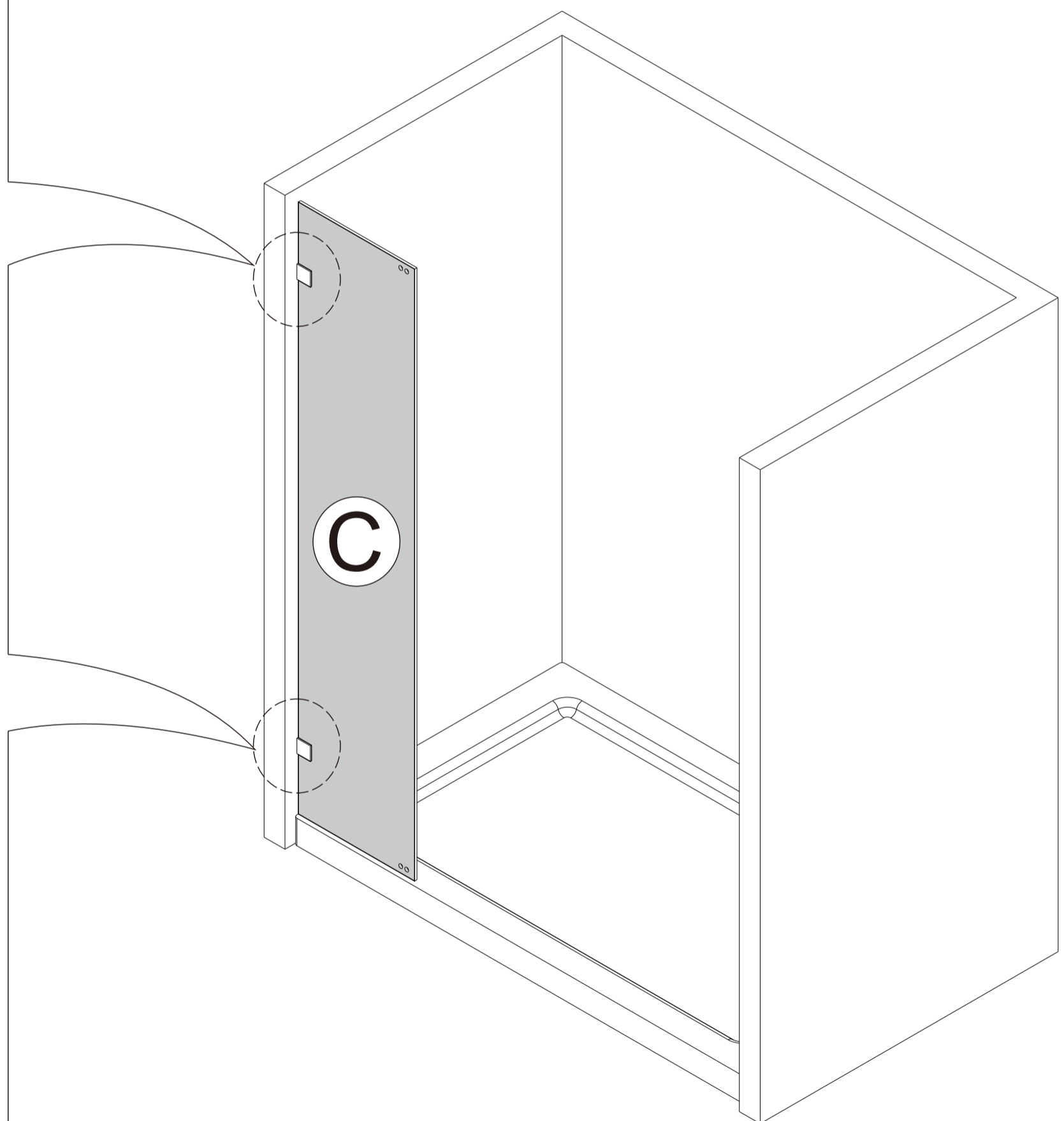
Note: The shower door can be installed left or right, according to the need to determine the installation direction.

3 Install **Stationary Glass(C)**



NOTE

1. Secure the **Stationary Glass(C)** with a **Connector(A)** as Fig.a & Fig.b and Fig.c
2. Install the trim cover on the **Connector(A)** as Fig.d

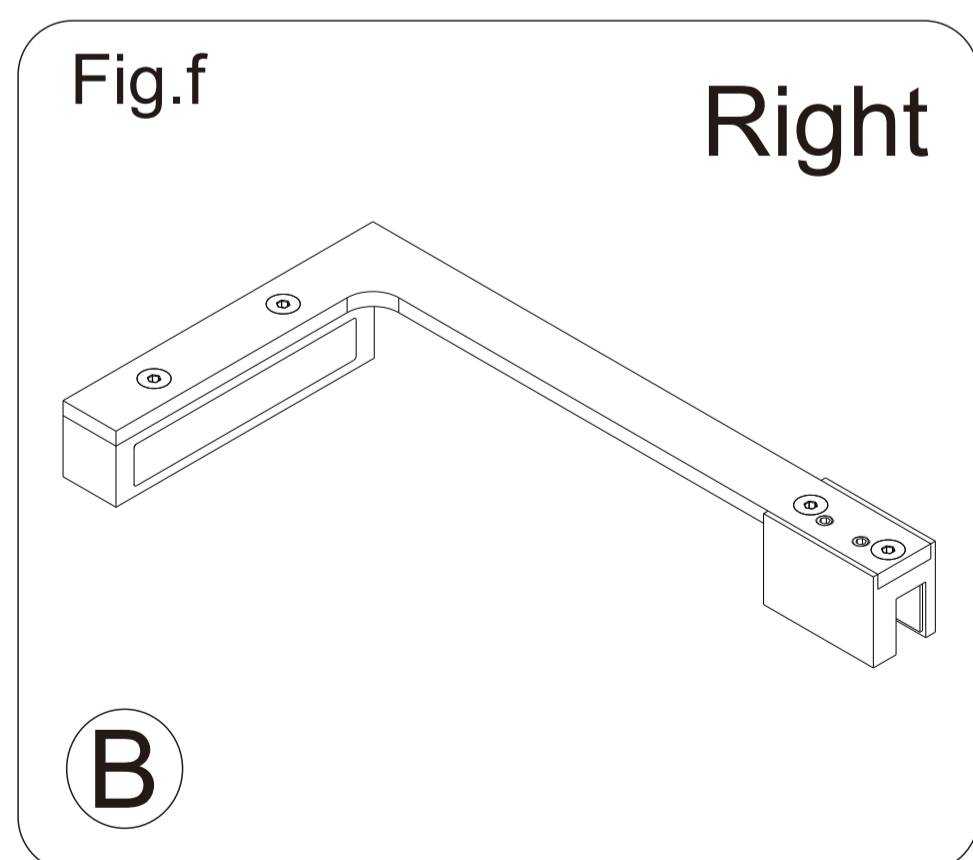
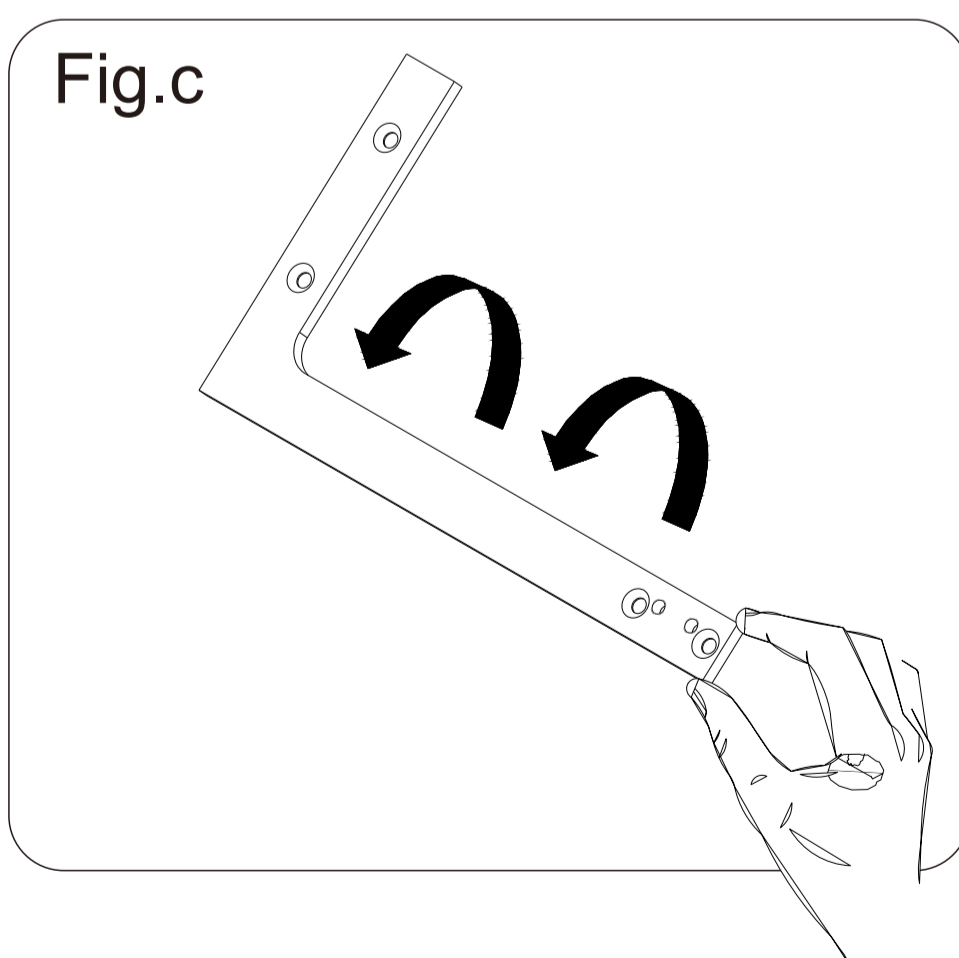
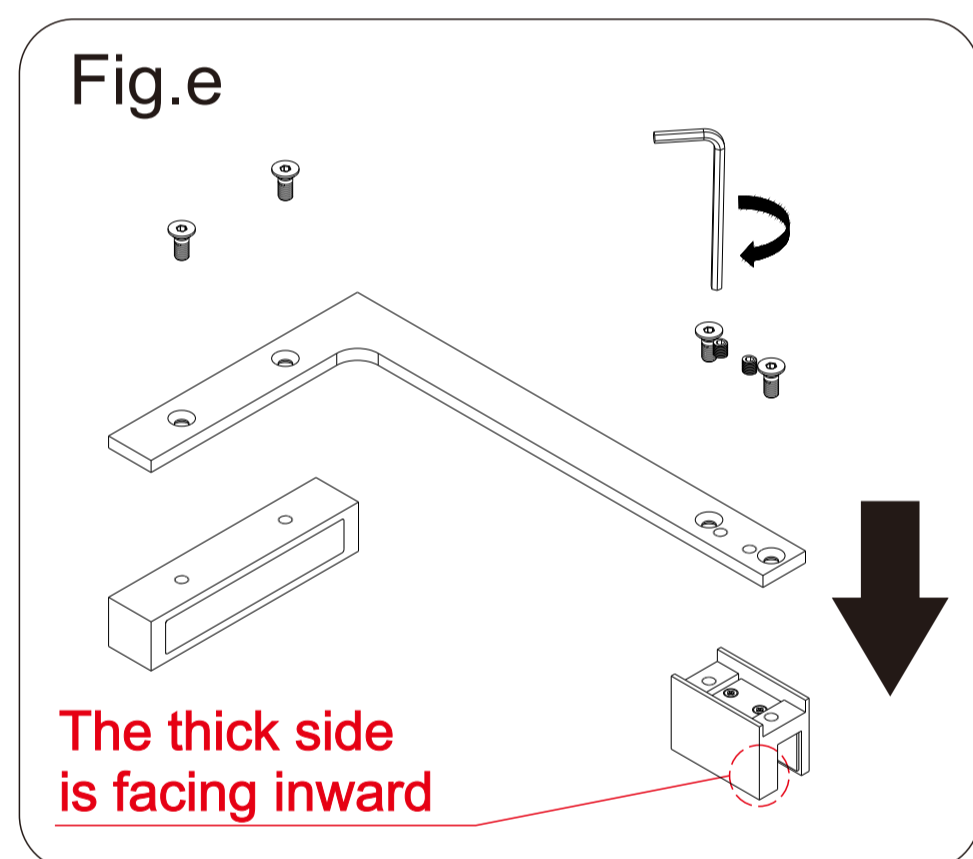
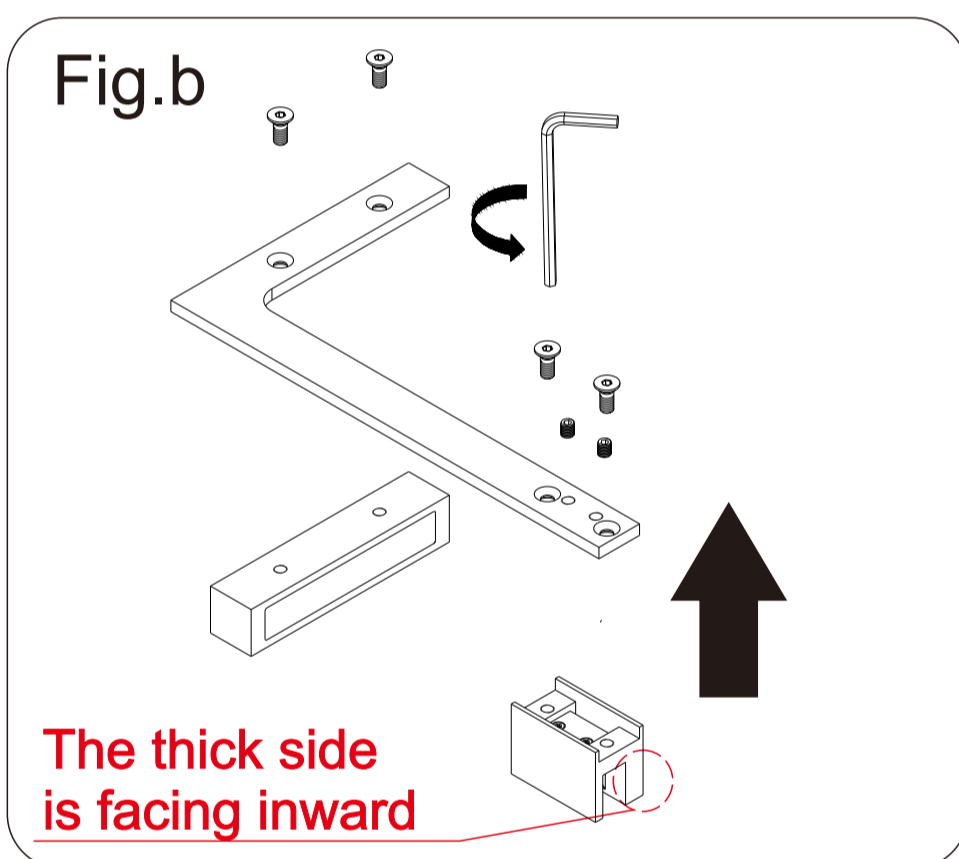
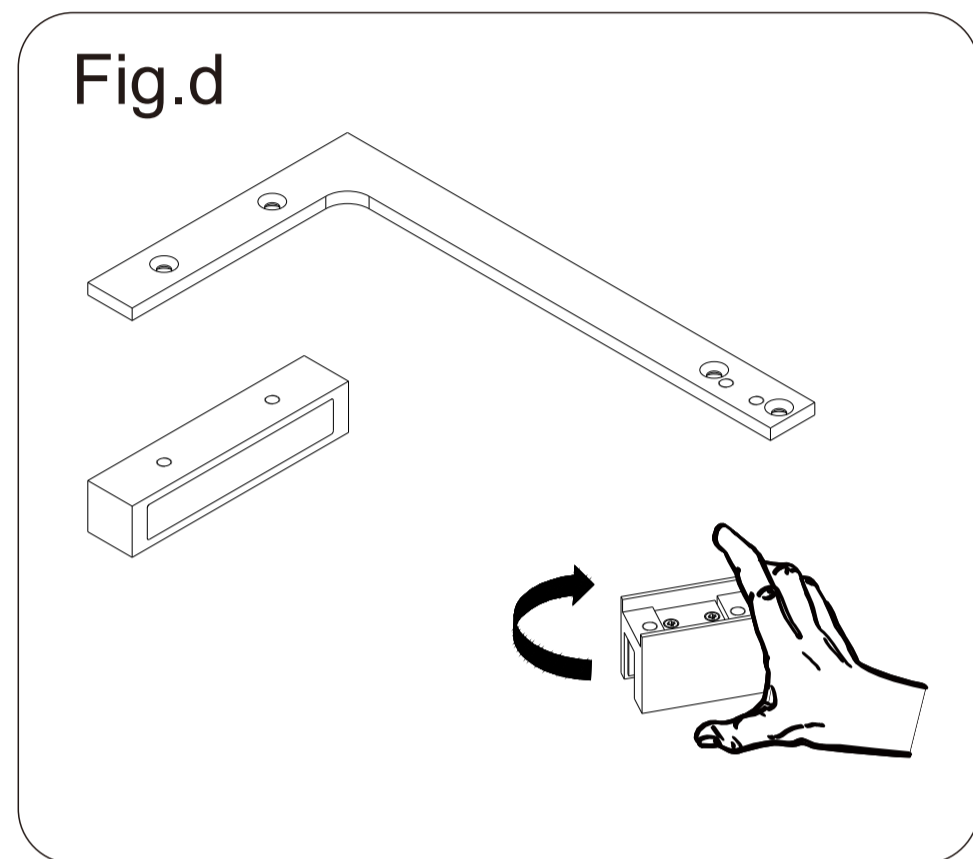
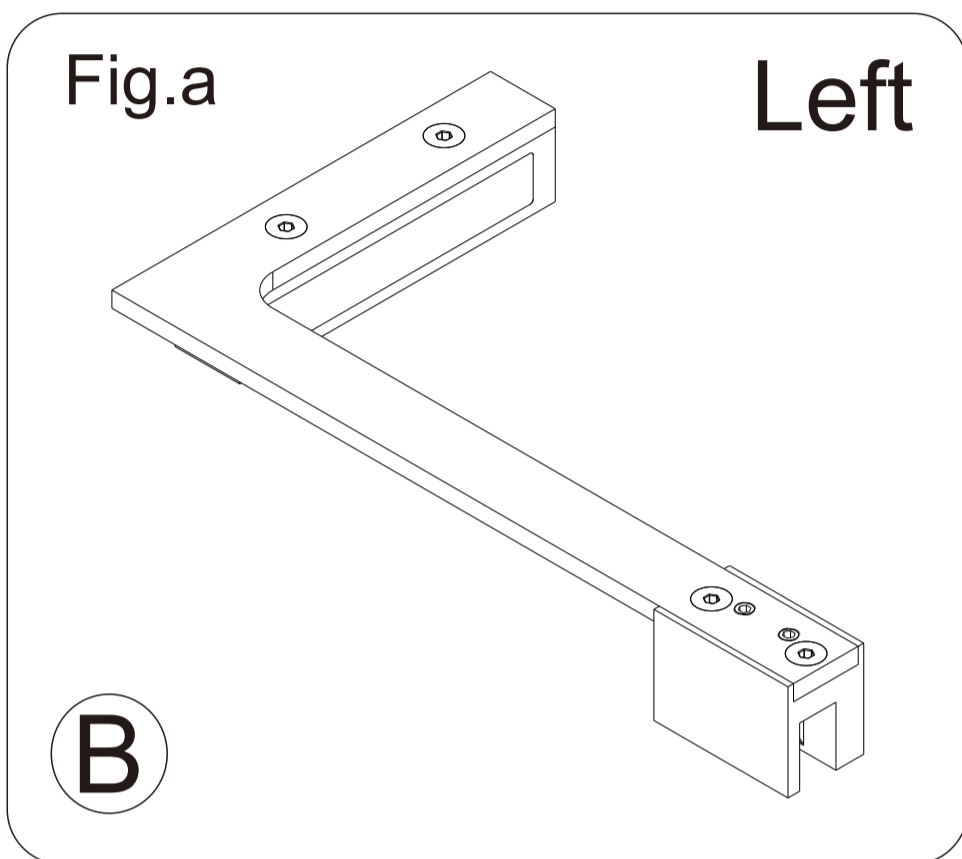


Note: The shower door can be installed left or right, according to the need to determine the installation direction.

4-1 Tips & Tricks

NOTE

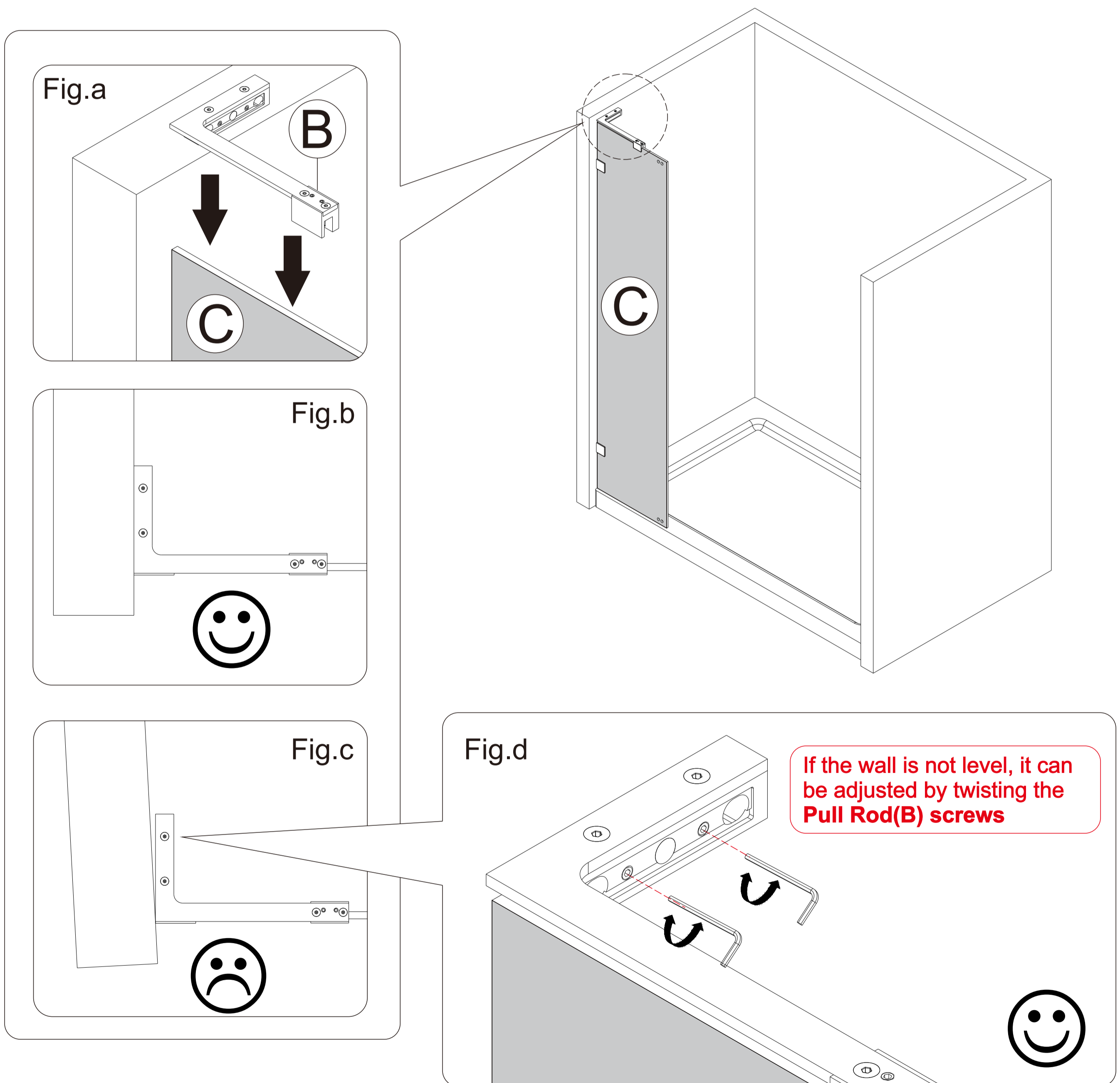
The matching tie rod is suitable for left installation, as shown in the figure is to change the direction of the tie rod for right installation as Fig.a-f



4-2 Install **Pull Rod(B)**

NOTE

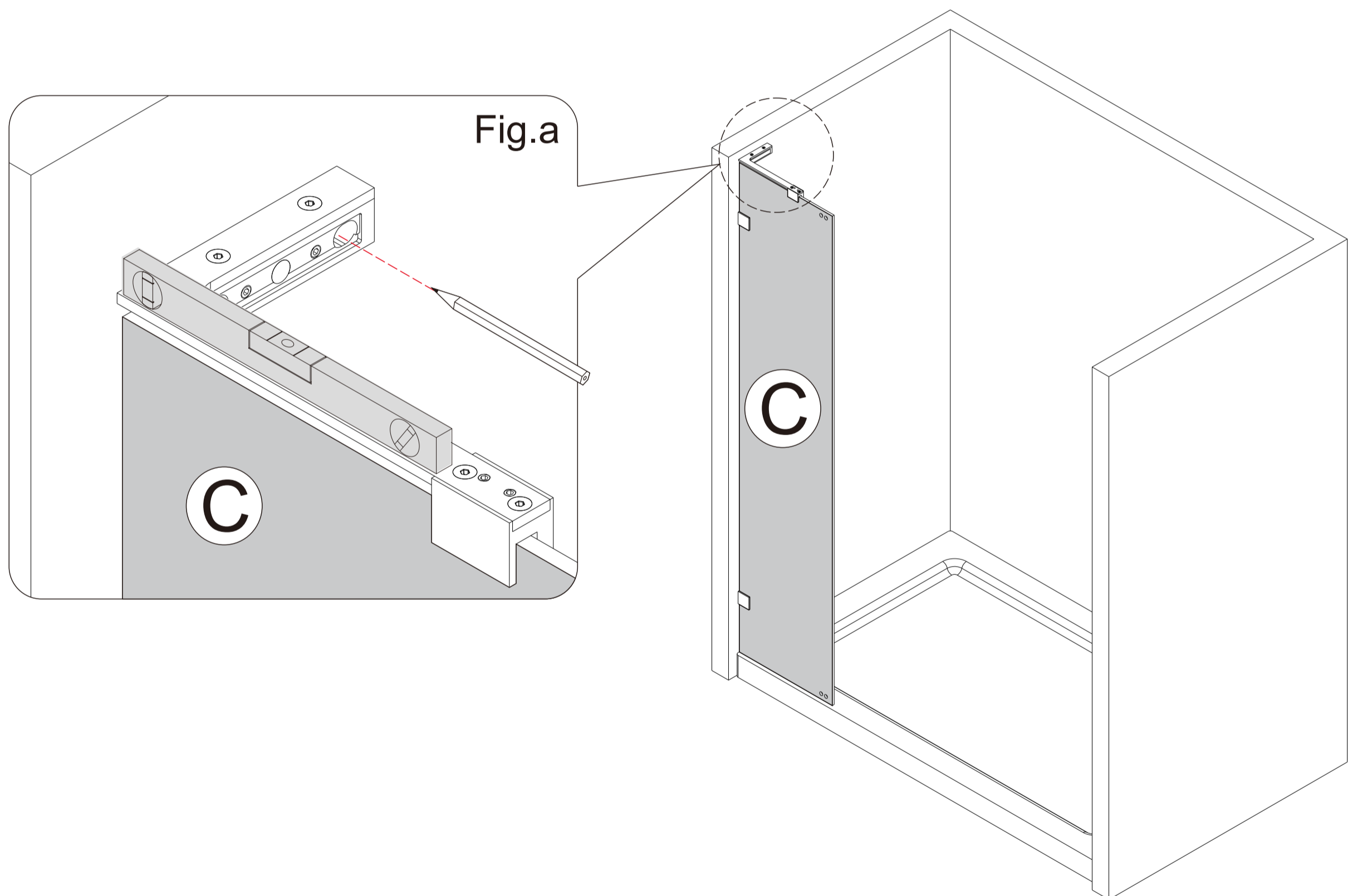
1. Install the **Pull Rod(B)** on the **Stationary Glass(C)** as Fig.a
2. Note that the **Pull Rod(B)** should be perpendicular to the wall, if it is not vertical, you can twist the screw to adjust the **Pull Rod(B)** as Fig.b、 Fig.c and Fig.d



4₋₃ Install **Pull Rod(B)**

NOTE

1. Once the **Pull Rod(B)** is level, mark the hole with a pencil as Fig.a .

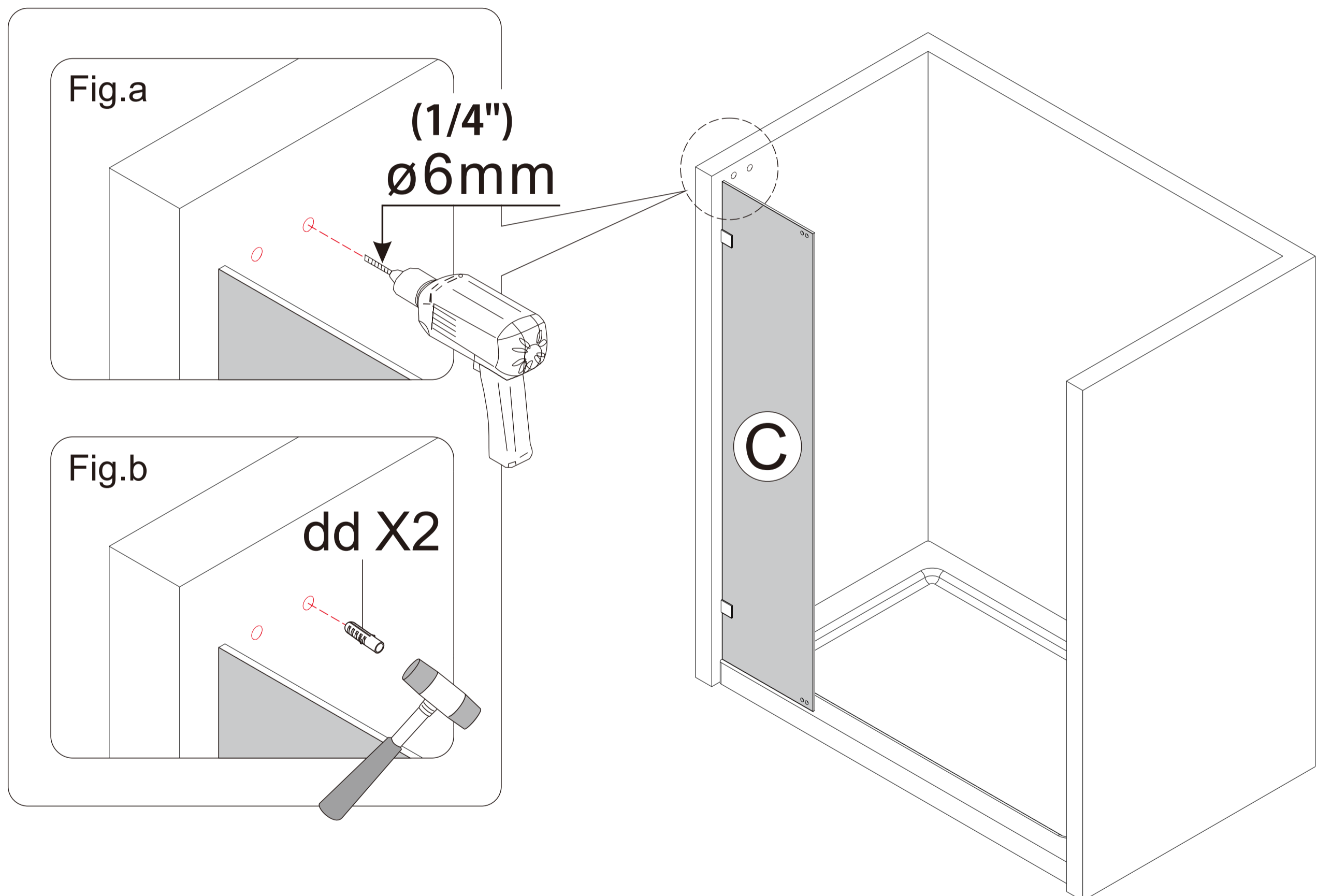


Note: The shower door can be installed left or right, according to the need to determine the installation direction.

4-4 Install **Wall Anchor(dd)**

NOTE

1. Drill holes with $\Phi 6\text{mm}(1/4\text{'})$ drill bit as Fig.a.
2. Insert the **Wall Anchors(dd)** as Fig.b.



NOTE

- If a Stud is present behind the wall:
drill $\Phi 1/8\text{'}$ (3mm) pilot holes into the stud and use the ST4.0x40mm **Screws(ee)**
OR
- If NO Stud is present behind the wall:
drill $\Phi 1/4\text{'}$ (6mm) holes and insert the **Wall Anchors(dd)** and use the ST4.0x40mm **Screws(ee)**.

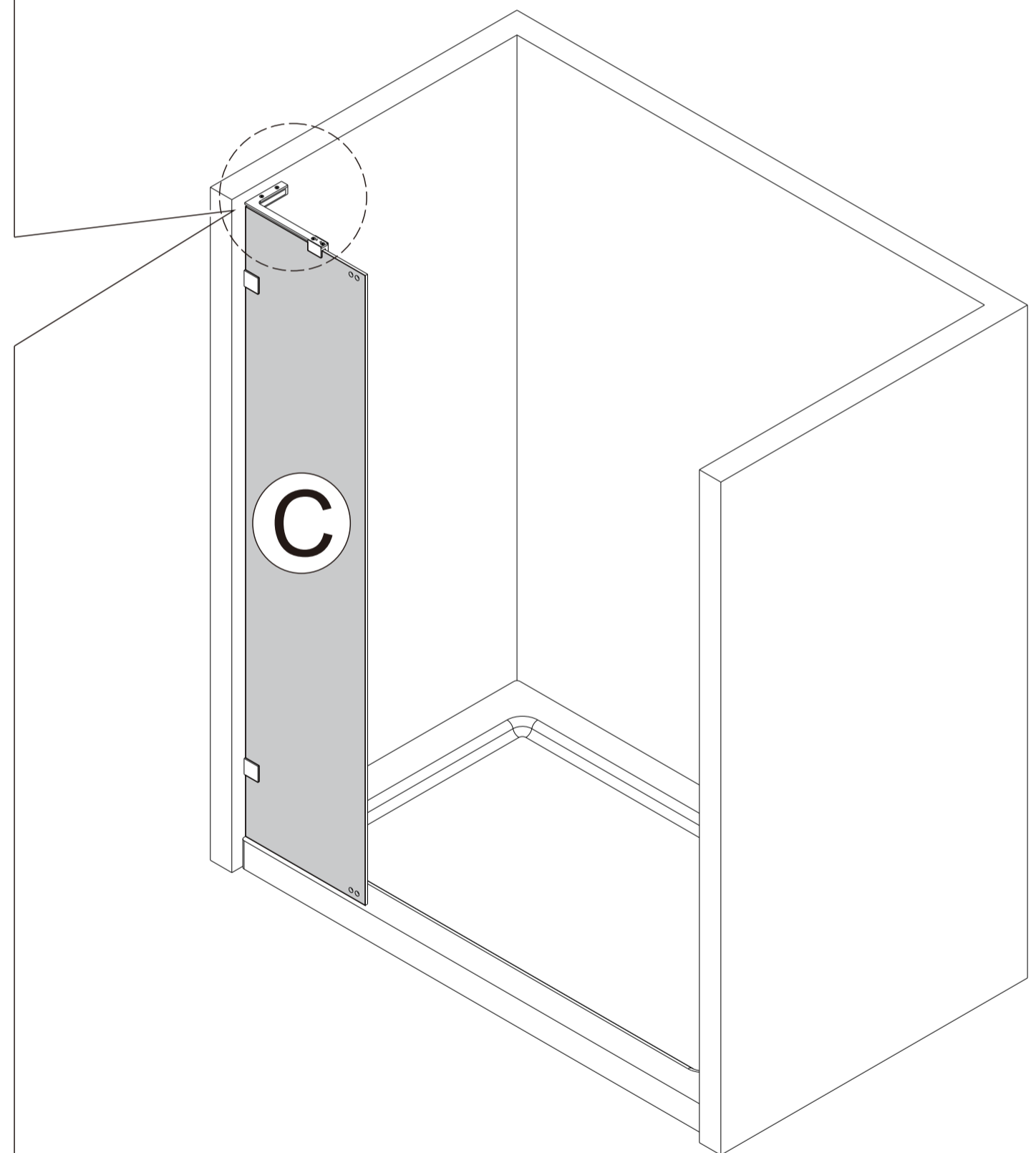
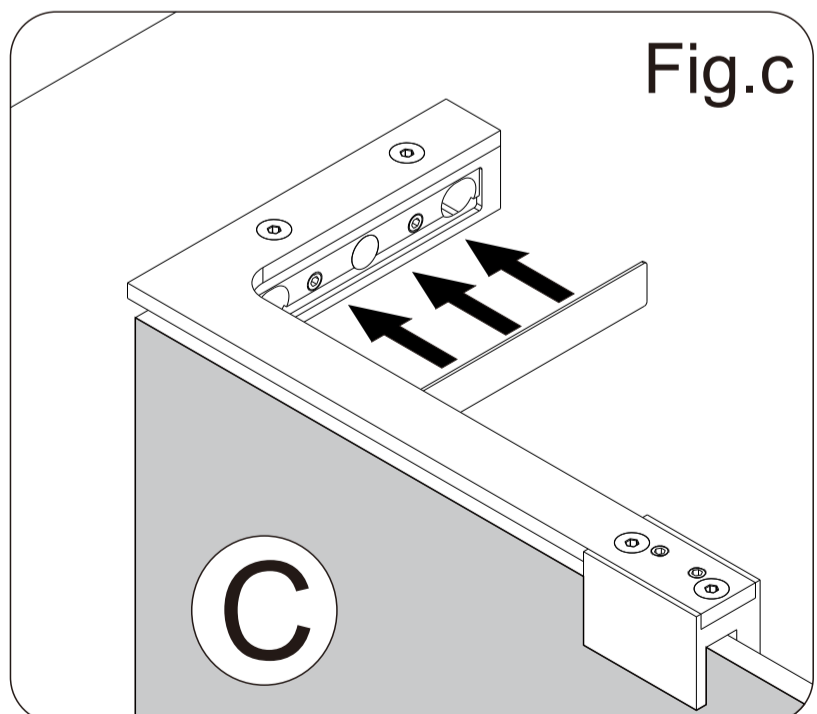
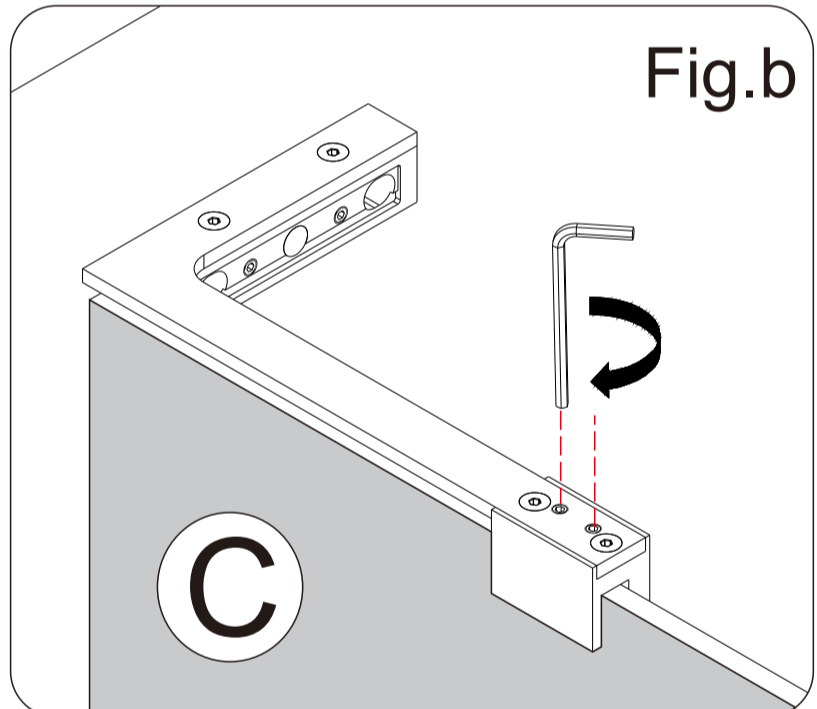
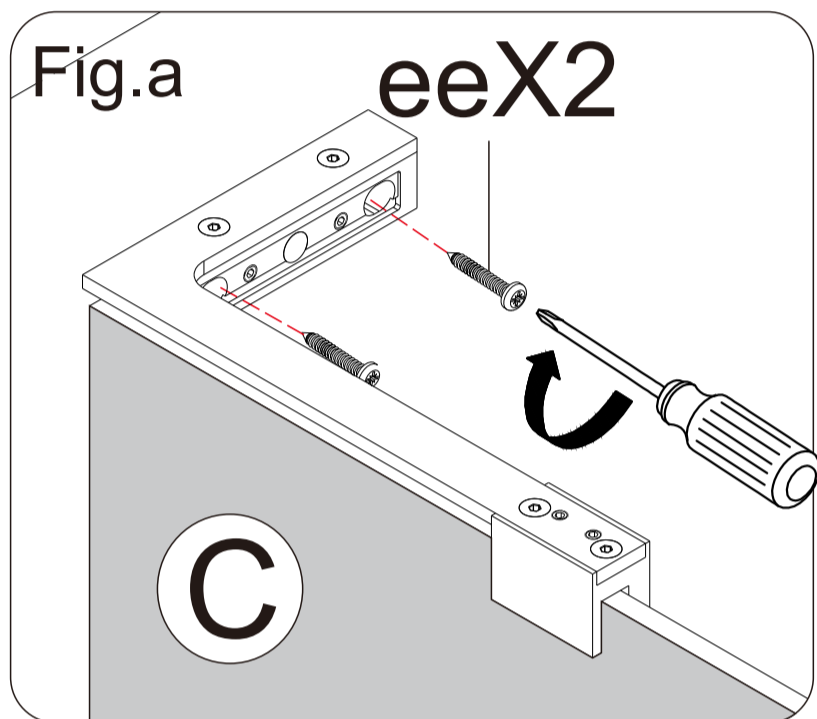


Note: The shower door can be installed left or right, according to the need to determine the installation direction.

4-5 Install **Pull rod(B)**

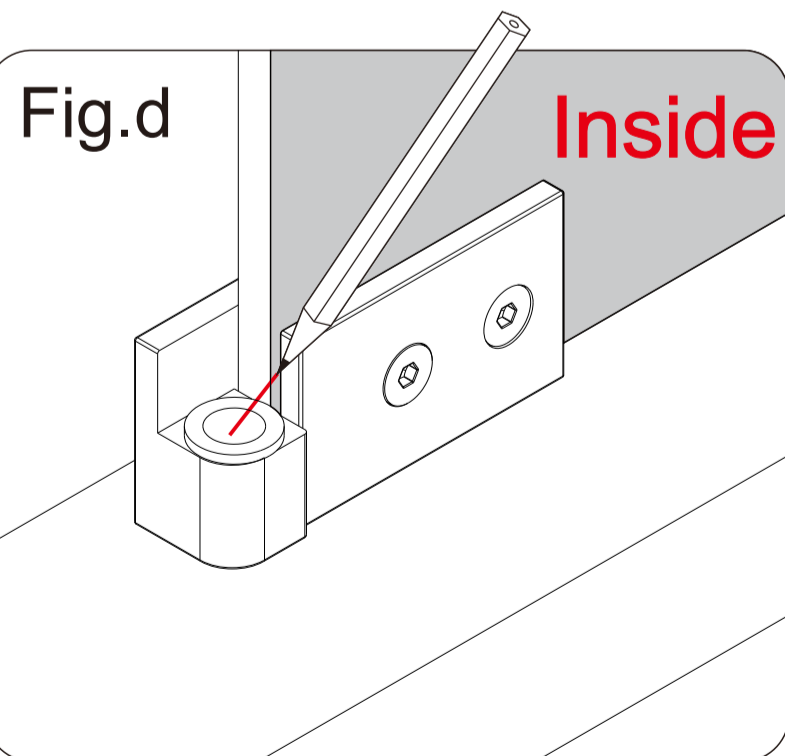
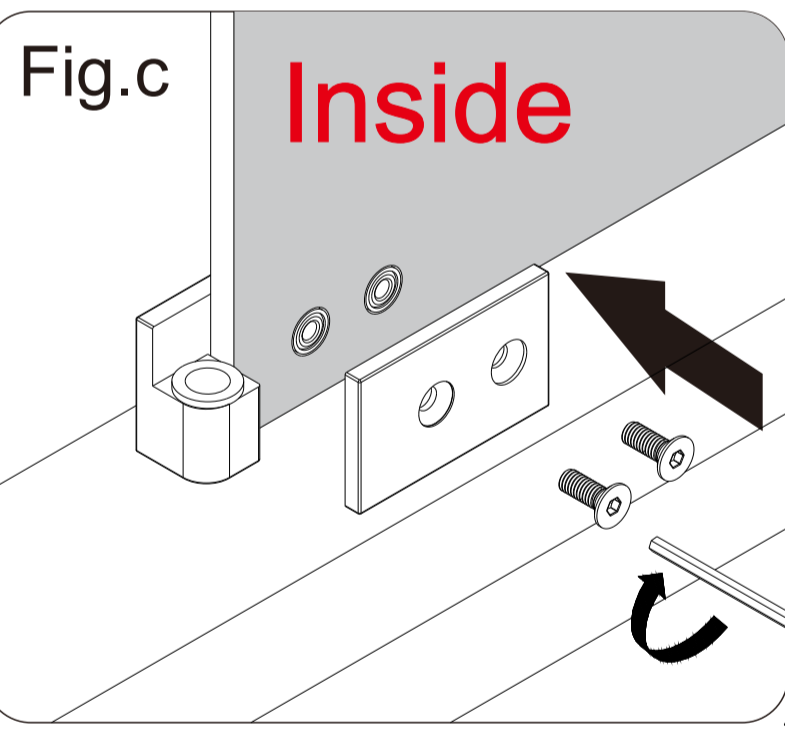
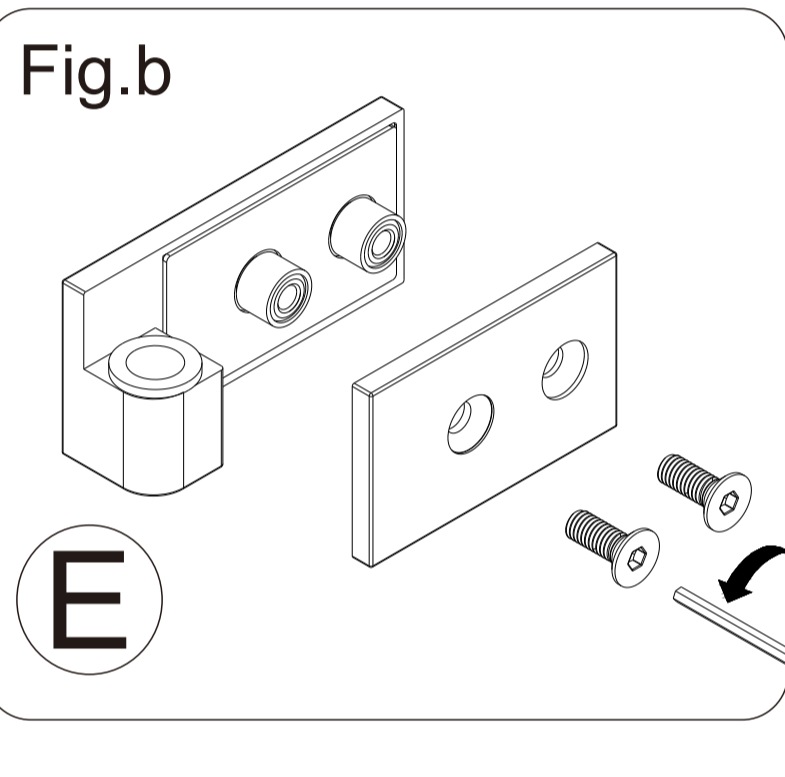
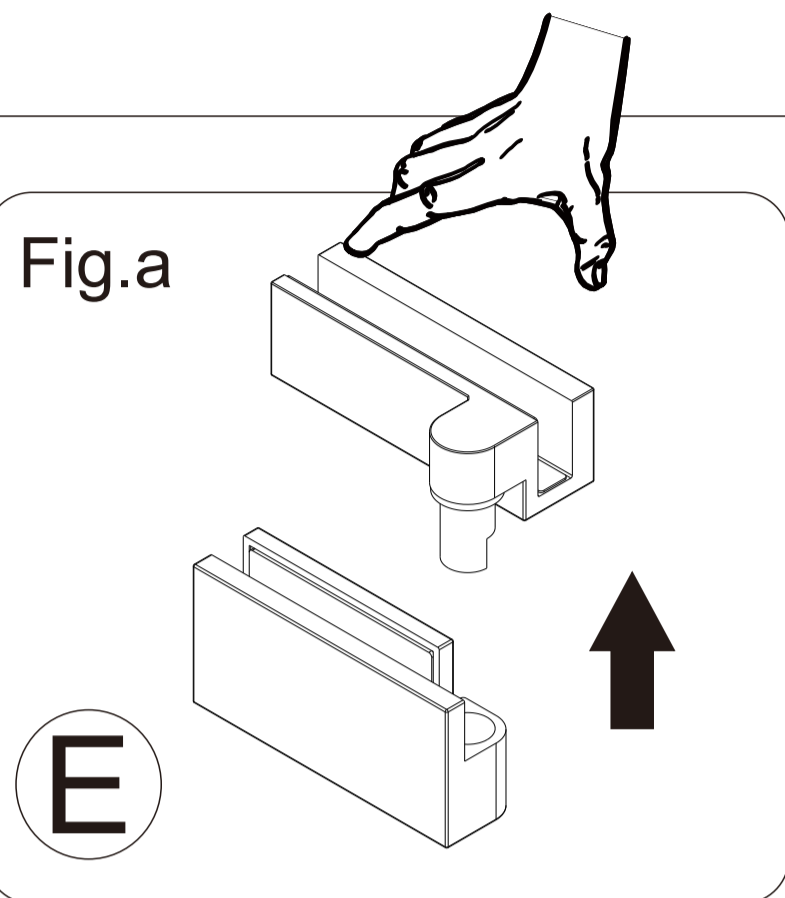
NOTE

1. Secure the **Pull rod(B)** to the wall with **Screws (ee)** as Fig.a
2. Twist the screws on the **Pull rod(B)** so that the **Pull rod(B)** holds the **Stationary Glass(C)** as Fig.b
3. Install the decorative cover on the **Pull rod(B)** as Fig.c



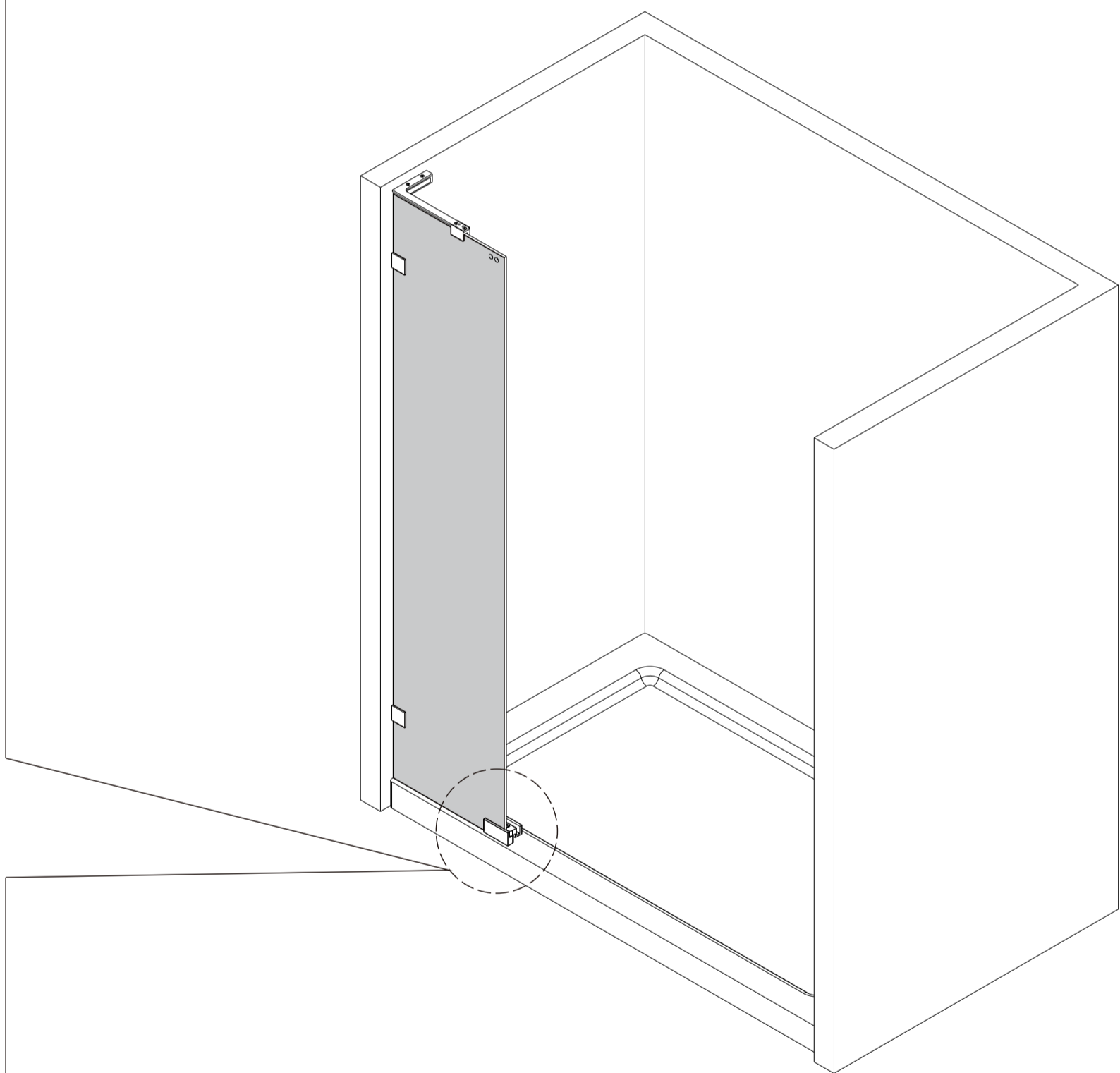
Note: The shower door can be installed left or right, according to the need to determine the installation direction.

5-1 Install **Pivot Sleeve(E)**



NOTE

1. Disassemble the **Pivot Sleeve(E)** as Fig.a and Fig.b .
2. Install the **Pivot Sleeve(E)** on the **Stationary Glass(C)** as Fig.c .
3. Use a pencil to mark the hole in the **Pivot Sleeve(E)** as Fig.d .

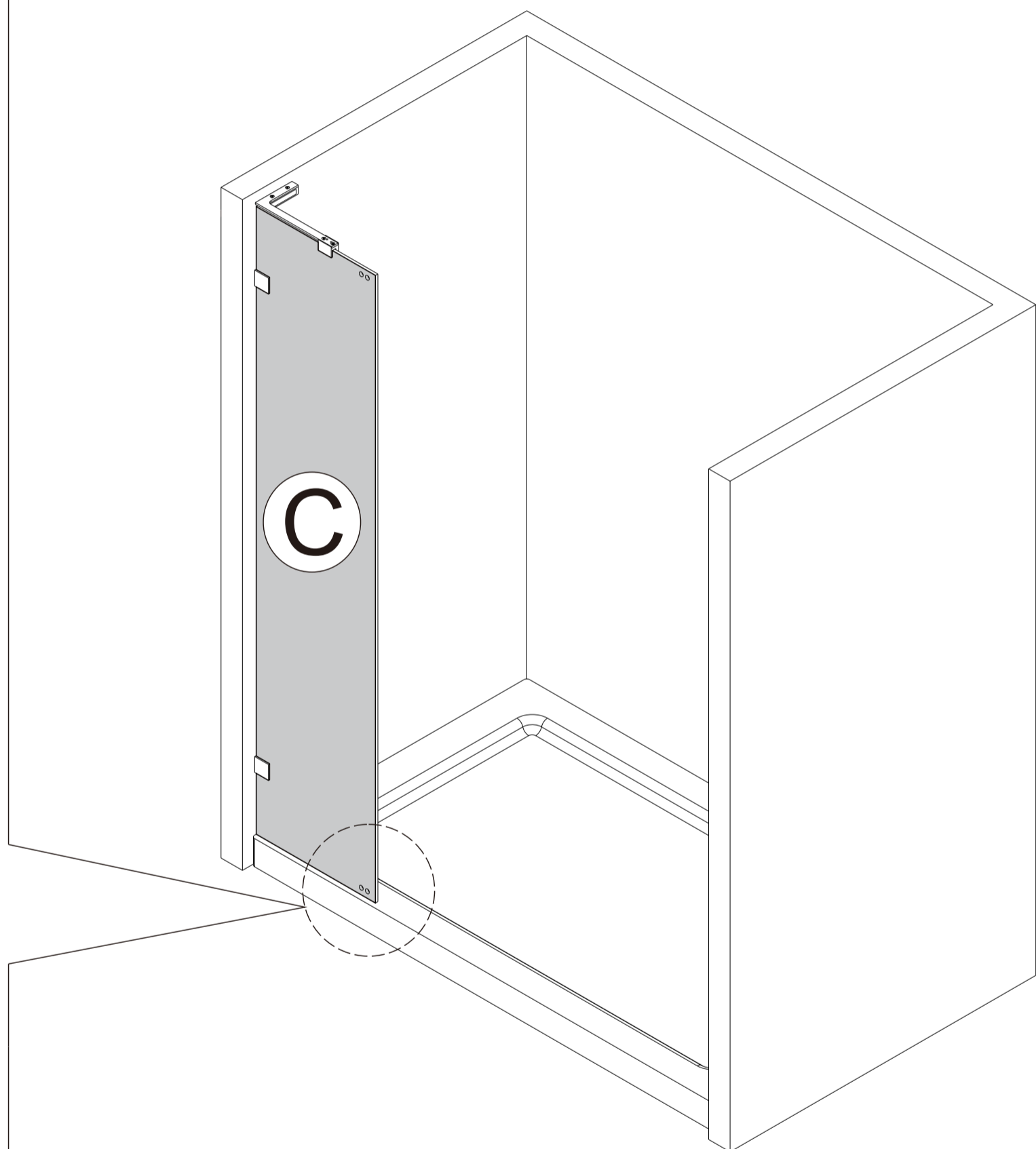
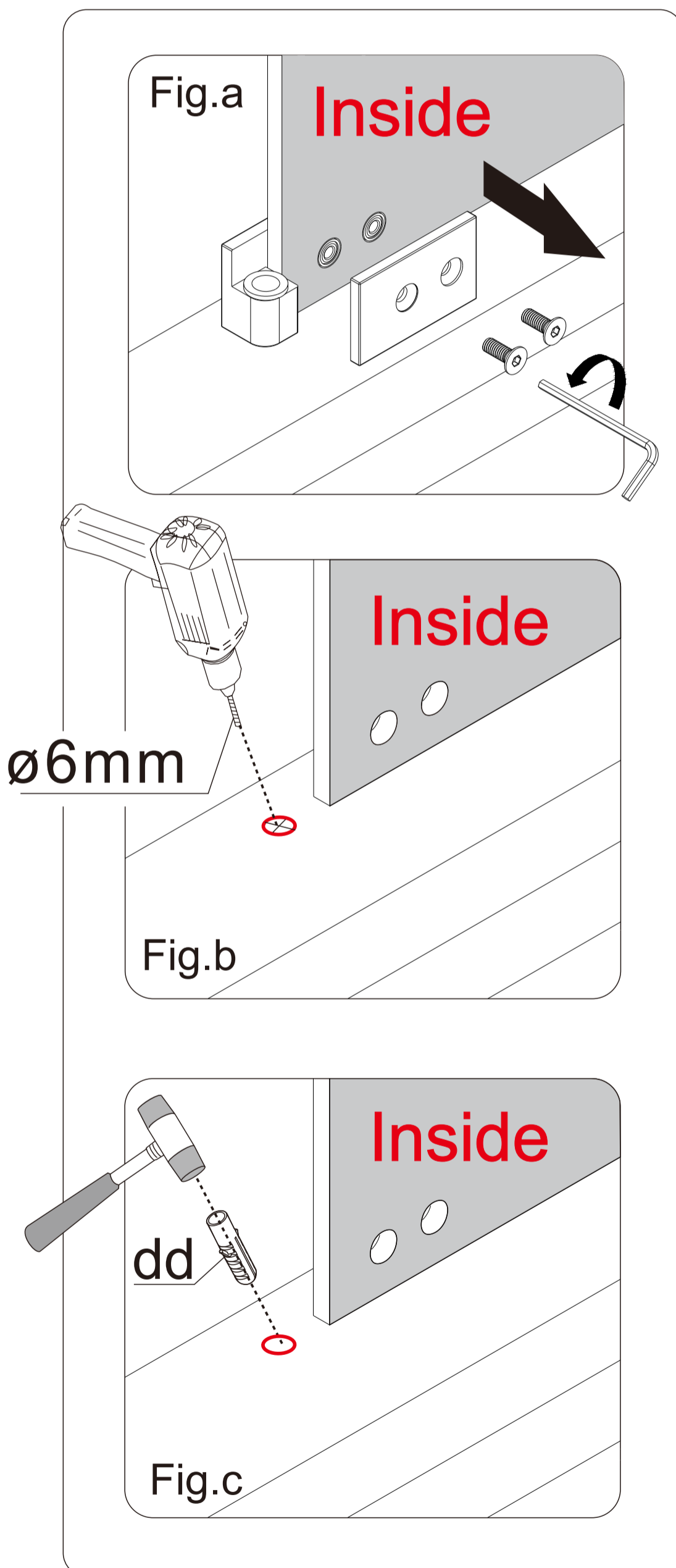


The shower room can be installed from left to right, please confirm the installation direction, the installation direction of this manual is the left door, if the installation direction is the right door, the installation sequence of the **Pivot Sleeve(E&F)** is reversed.

5-2 Install **Wall Anchor(dd)**

NOTE

1. Remove the **Pivot Sleeve(E)** from the **Stationary Glass(C)** as Fig.a .
2. Drill holes with $\Phi 6\text{mm}$ (1/4") drill bit as Fig.b.
3. Insert the **Wall Anchors(dd)** as Fig.c.

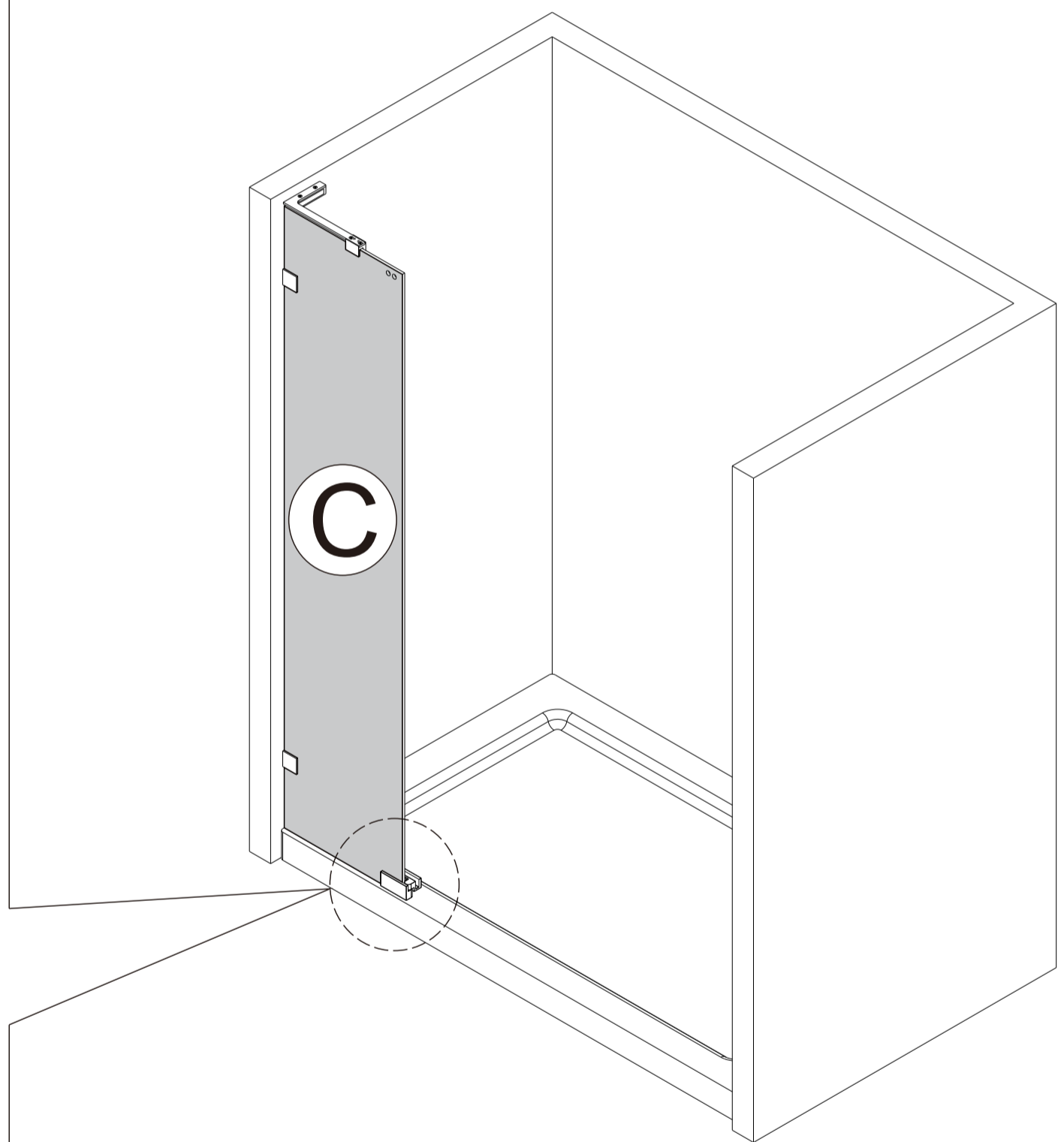
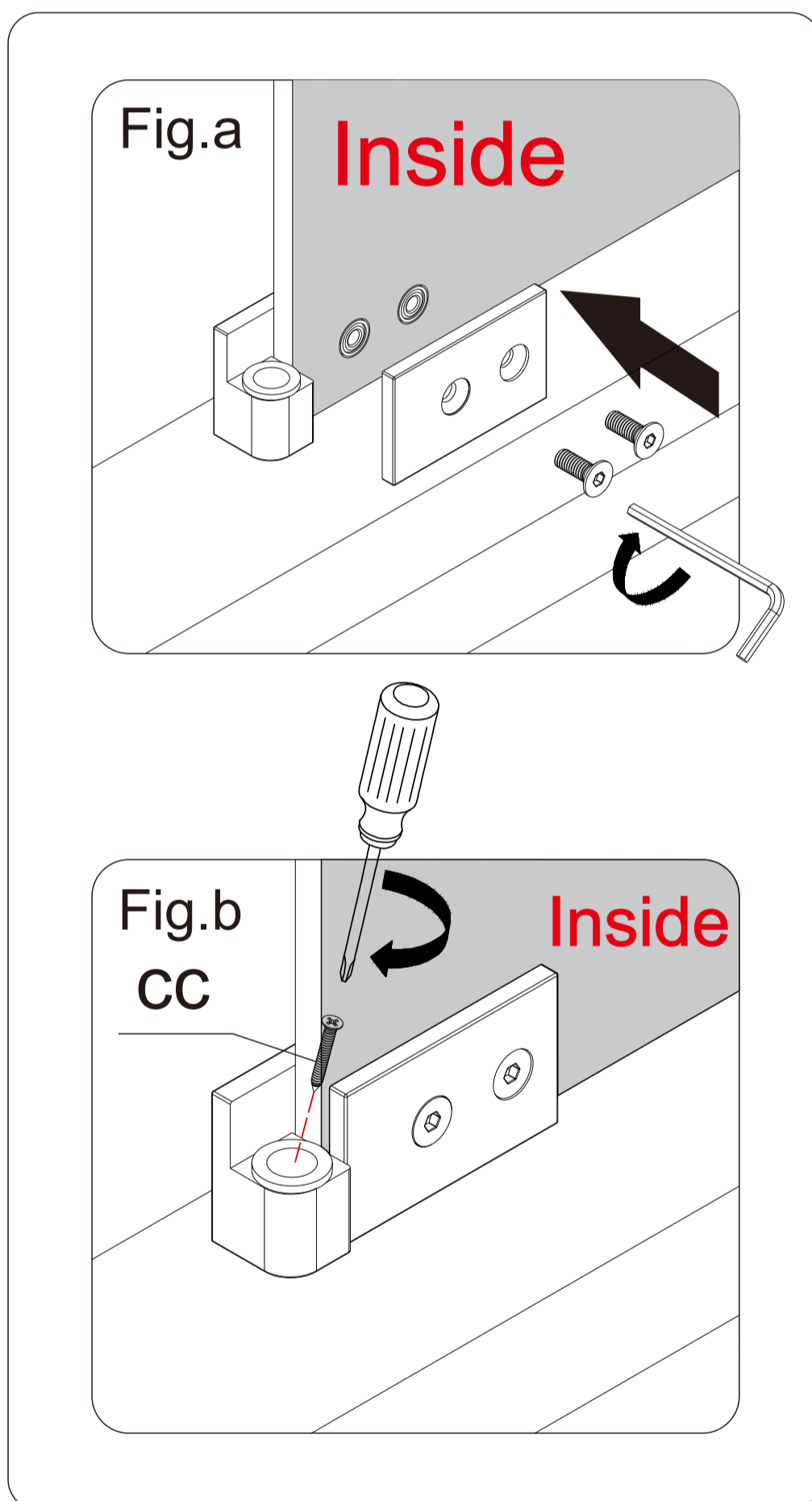


The shower room can be installed from left to right, please confirm the installation direction, the installation direction of this manual is the left door, if the installation direction is the right door, the installation sequence of the **Pivot Sleeve(E&F)** is reversed.

5₋₃ Install **Pivot Sleeve(E)**

NOTE

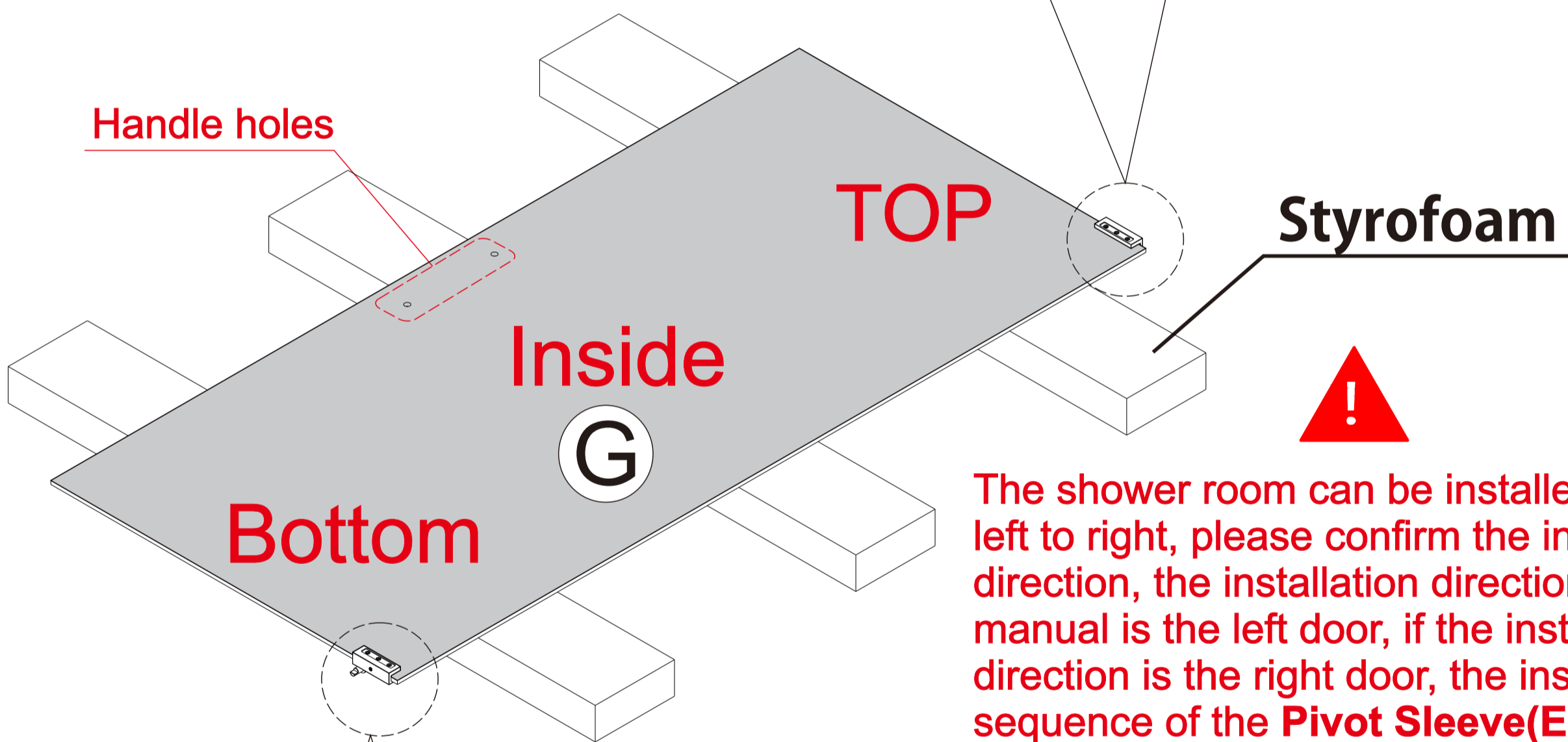
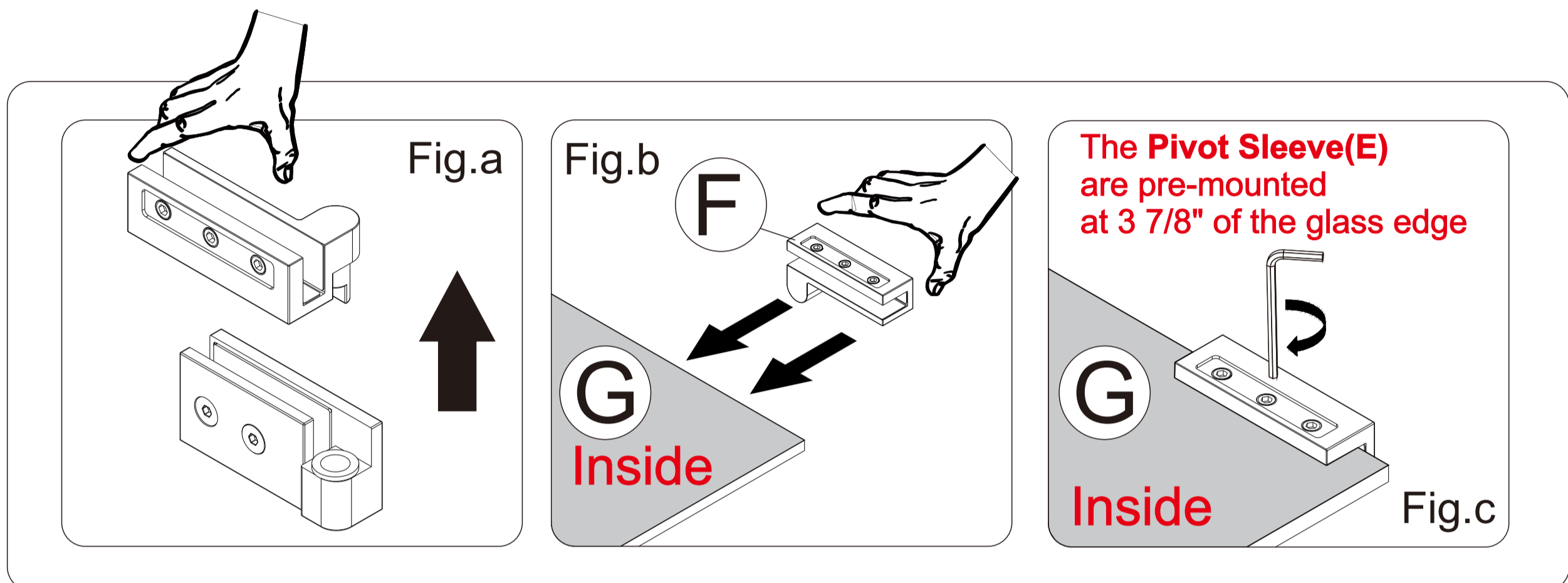
1. Install the **Pivot Sleeve(E)** on the **Stationary Glass(C)** as Fig.a .
2. Fix the **Pivot Sleeve(E)** with **Screws (cc)** as Fig.b



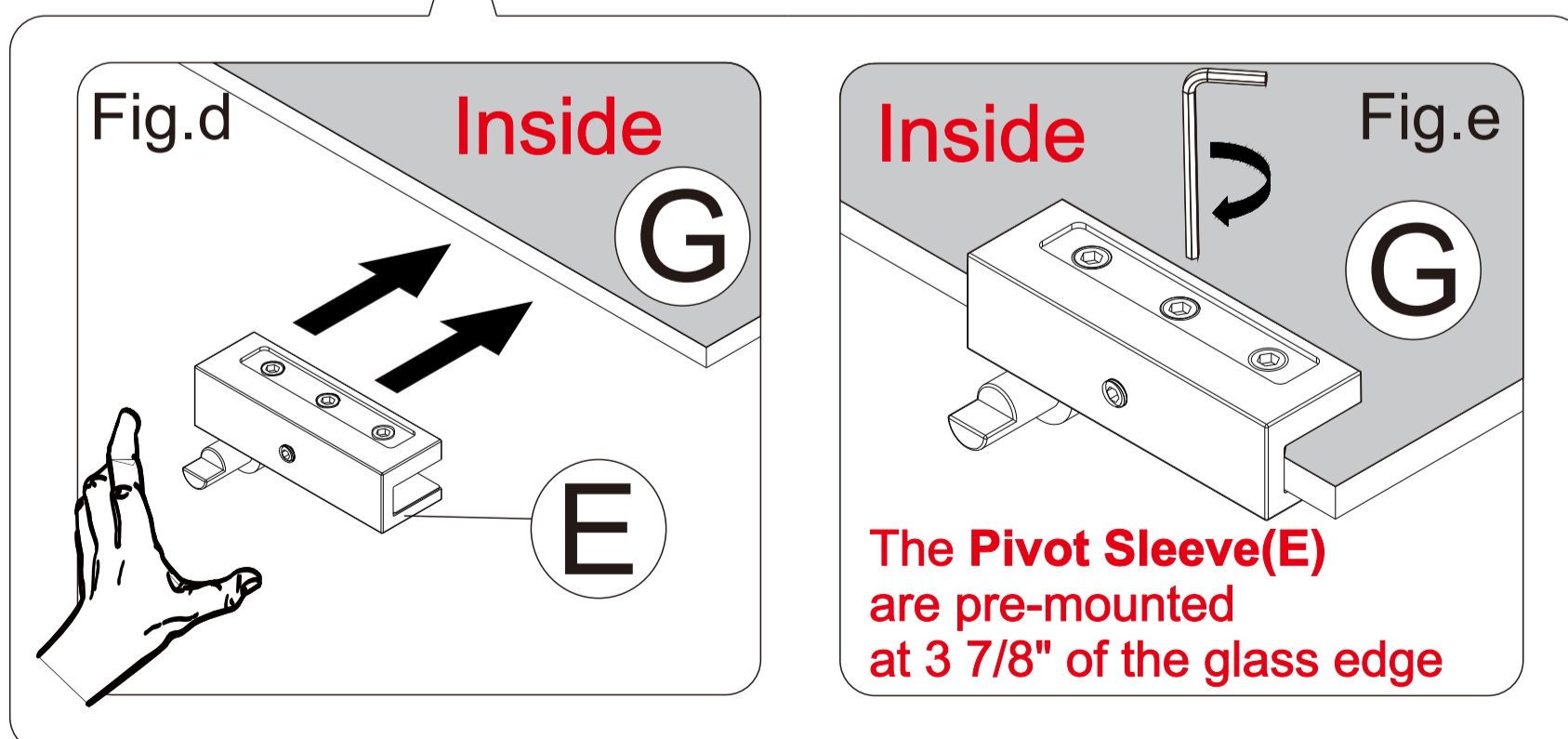
6 Install Pivot Sleeve(E&F)

NOTE

1. Install the **Pivot Sleeve(F)** on the **Glass Door(J)** as Fig.a、 Fig. b and Fig.c
2. Install the **Pivot Sleeve(E)** on the **Glass Door(J)** as Fig.d and Fig. e .



The shower room can be installed from left to right, please confirm the installation direction, the installation direction of this manual is the left door, if the installation direction is the right door, the installation sequence of the **Pivot Sleeve(E&F)** is reversed.



CAUTION: Do not put glass directly on the ground

7 Install **Glass Door(J)**

NOTE

Hold the moving glass and put the bottom **Pivot Sleeve(E)** into the hole of the bottom pivot bracket, insert a Styrofoam under the **Glass Door(G)** to hold the glass as Fig.a .

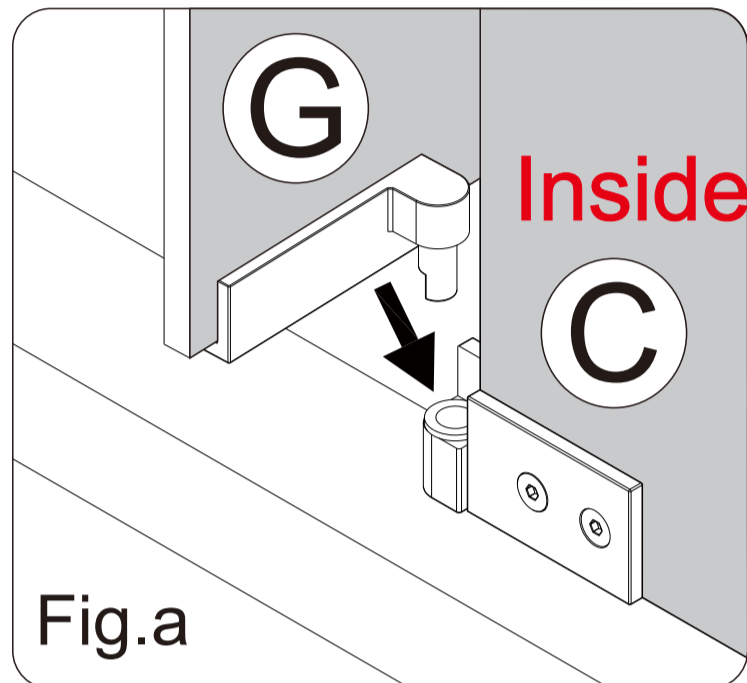


Fig.a

NOTE

Fit the Pivot Sleeve(F) into the pivot bracket on the **Stationary Glass(C)** and fix it as Fig.b and Fig.c

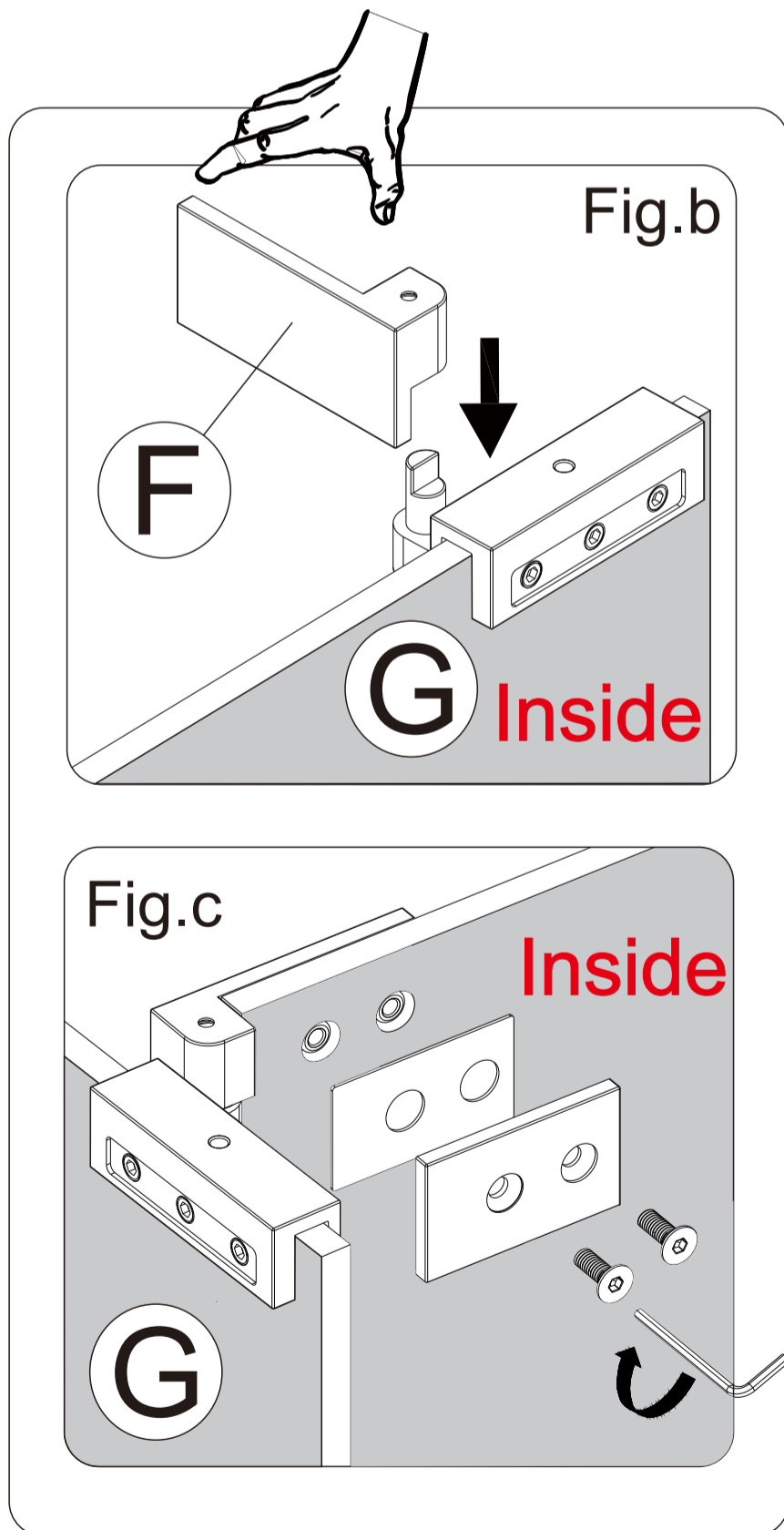
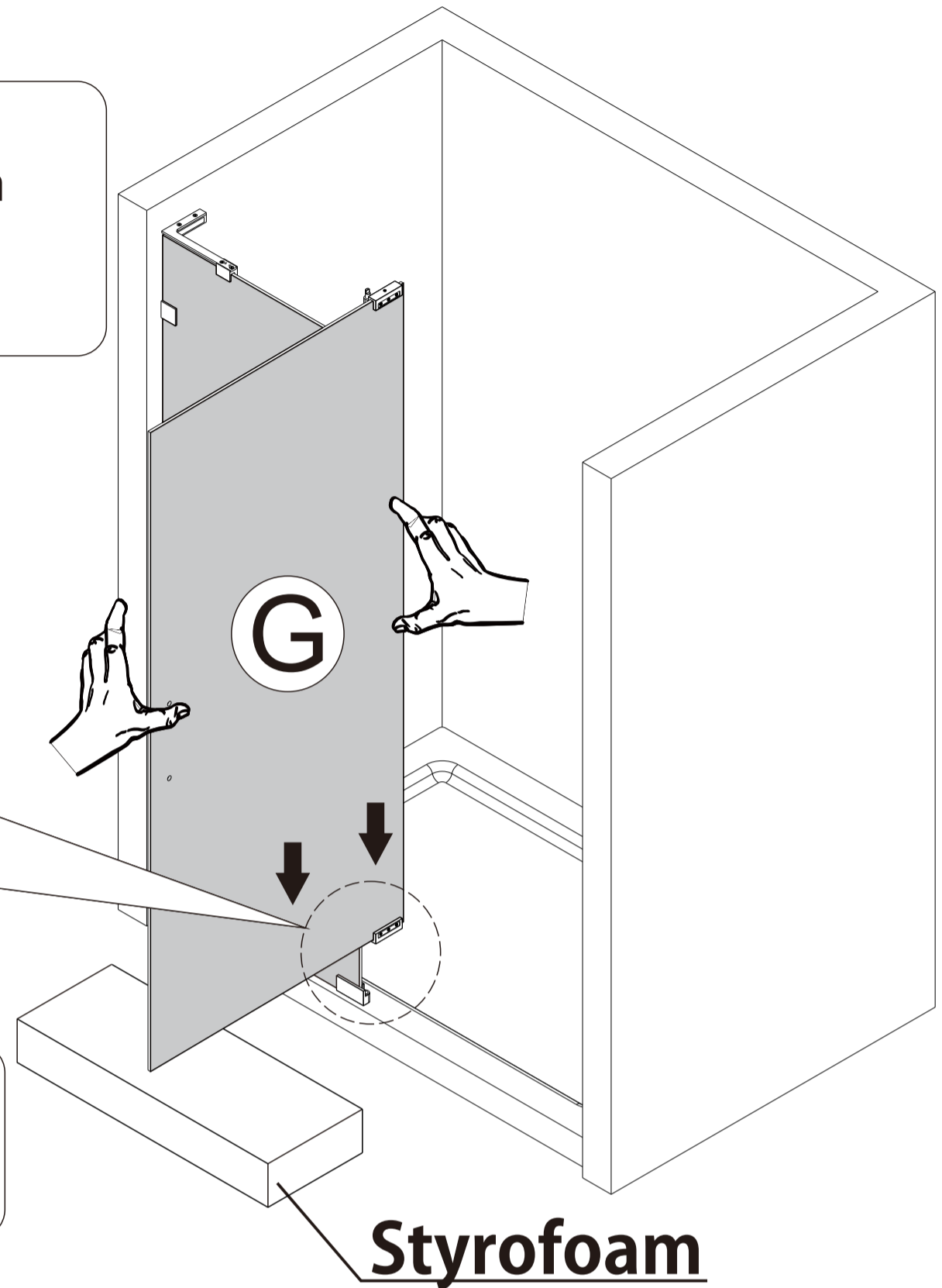
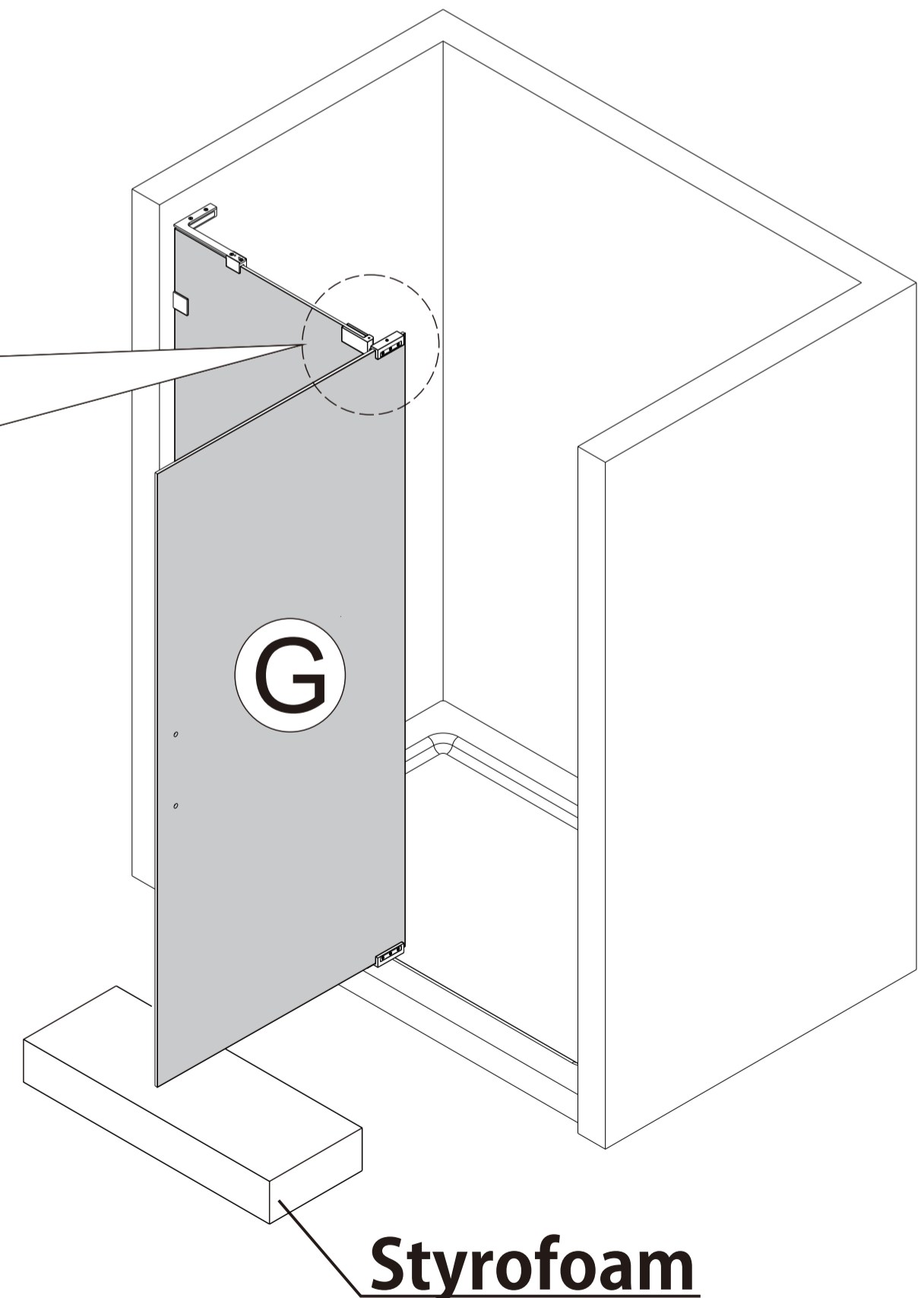


Fig.b

Fig.c



Styrofoam



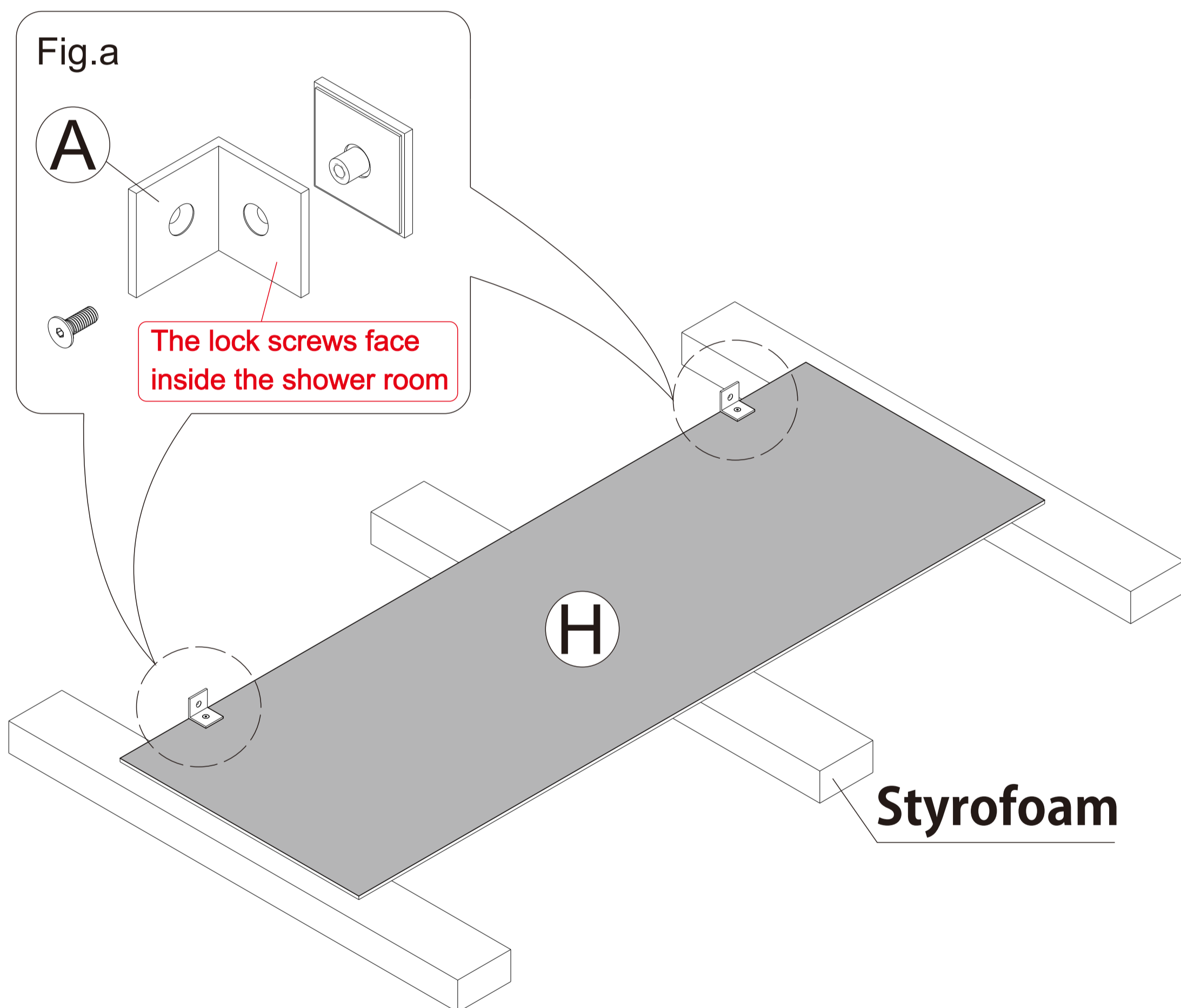
Styrofoam

8

Install **Connectors(A)**

NOTE

1. Install the **Connector(A)** to the **Stationary Glass(H)** as Fig.a .



Note: The shower door can be installed left or right, according to the need to determine the installation direction.

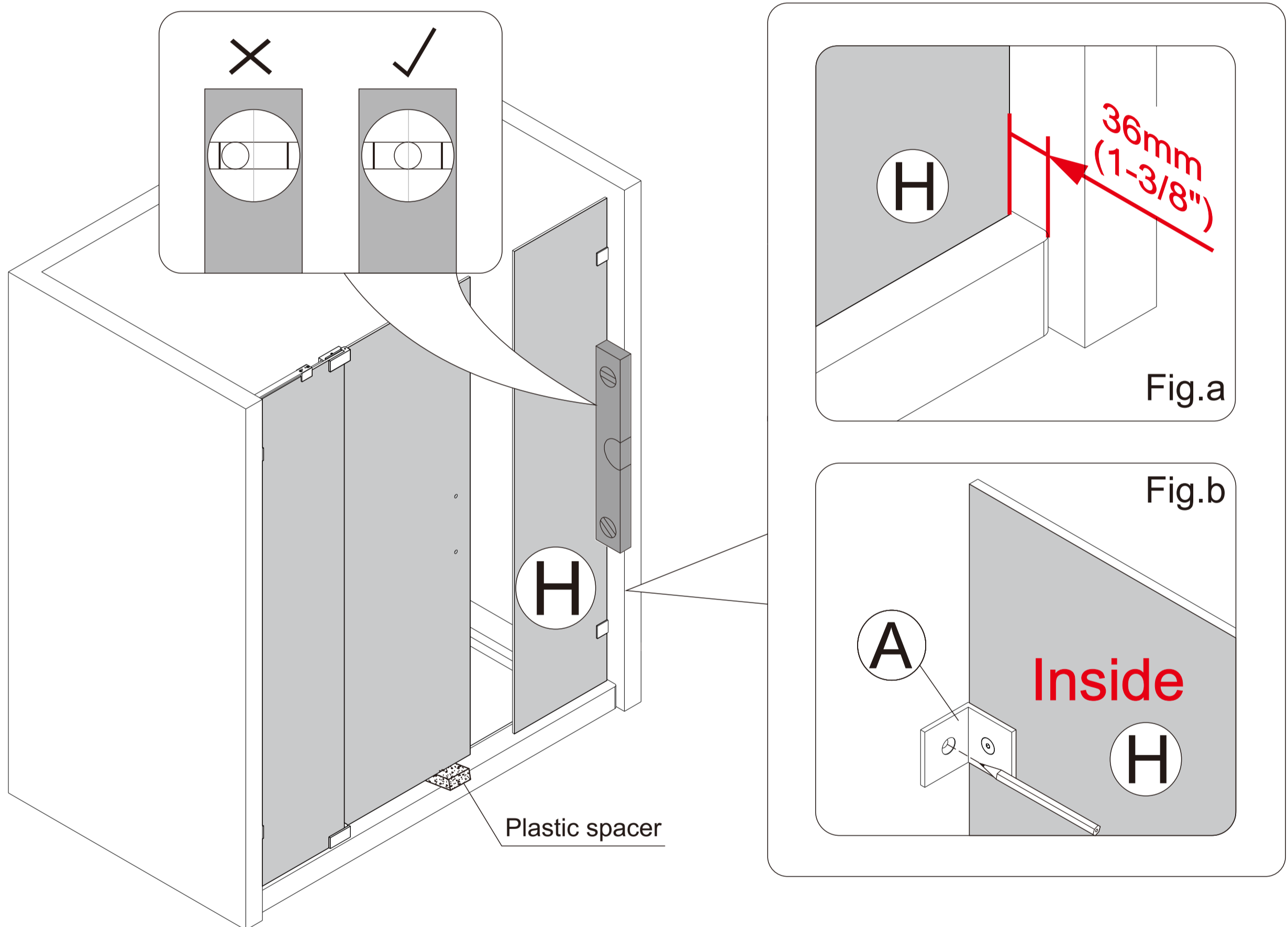


CAUTION: Do not put glass directly on the ground

9 Determine the tray edge distance

NOTE

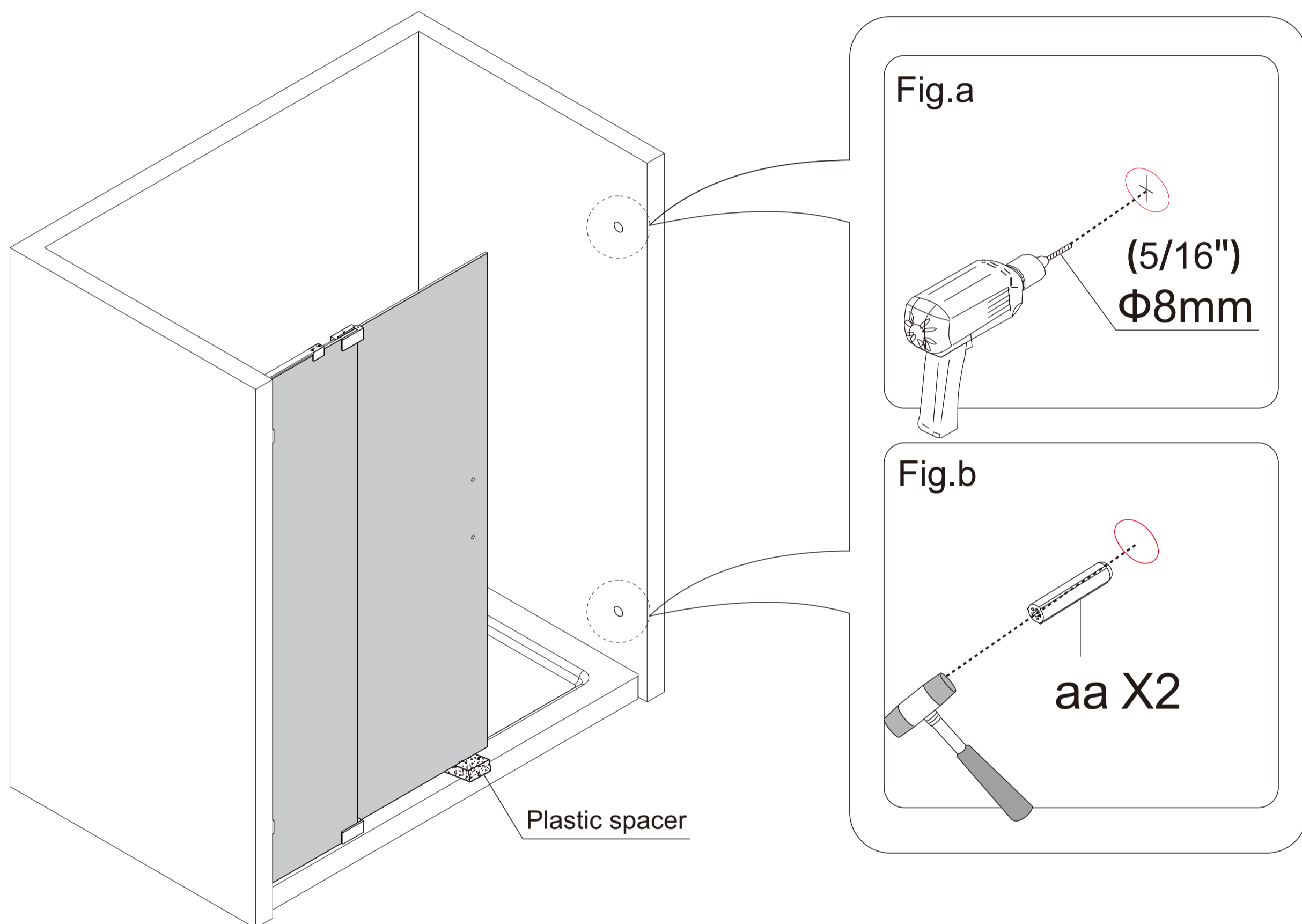
1. Determine your starting point from the edge of tray (1-3/8" (36mm) is recommended) and mark the position as Fig.a.
2. Use a pencil to mark the **Connector(A)** holes as Fig.b .



Note: The shower door can be installed left or right, according to the need to determine the installation direction.

10 Install Wall Anchor(aa)

- NOTE**
1. Drill holes with $\Phi 8\text{mm}$ (5/16") drill bit as Fig.a.
 2. Insert **Wall Anchors(aa)** as Fig.b.



- NOTE**
- If a Stud is present behind the wall:
drill $\Phi 5/32$ " (4mm) pilot holes into the stud and use the ST5.0x35mm **Screws(bb)**
OR
 - If NO Stud is present behind the wall:
drill $\Phi 5/16$ " (8mm) holes and insert the **Wall Anchors(aa)** and use the ST5.0x35mm **Screws(bb)**.

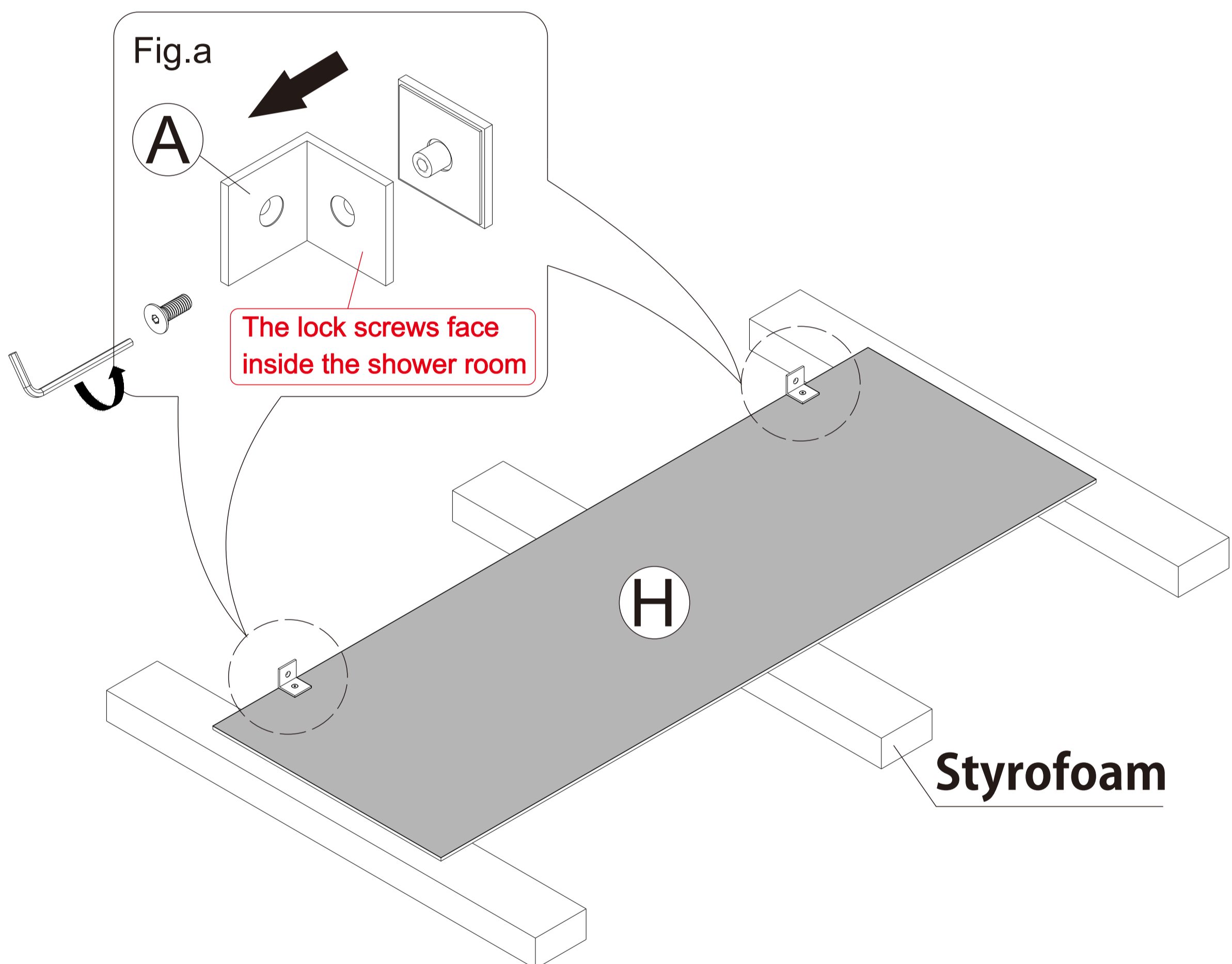


Note: The shower door can be installed left or right, according to the need to determine the installation direction.

11 Remove the **Connectors(A)**

NOTE

1.Remove the **Connectors(A)** from the **Stationary Glass(H)** as Fig.a



Note: The shower door can be installed left or right, according to the need to determine the installation direction.

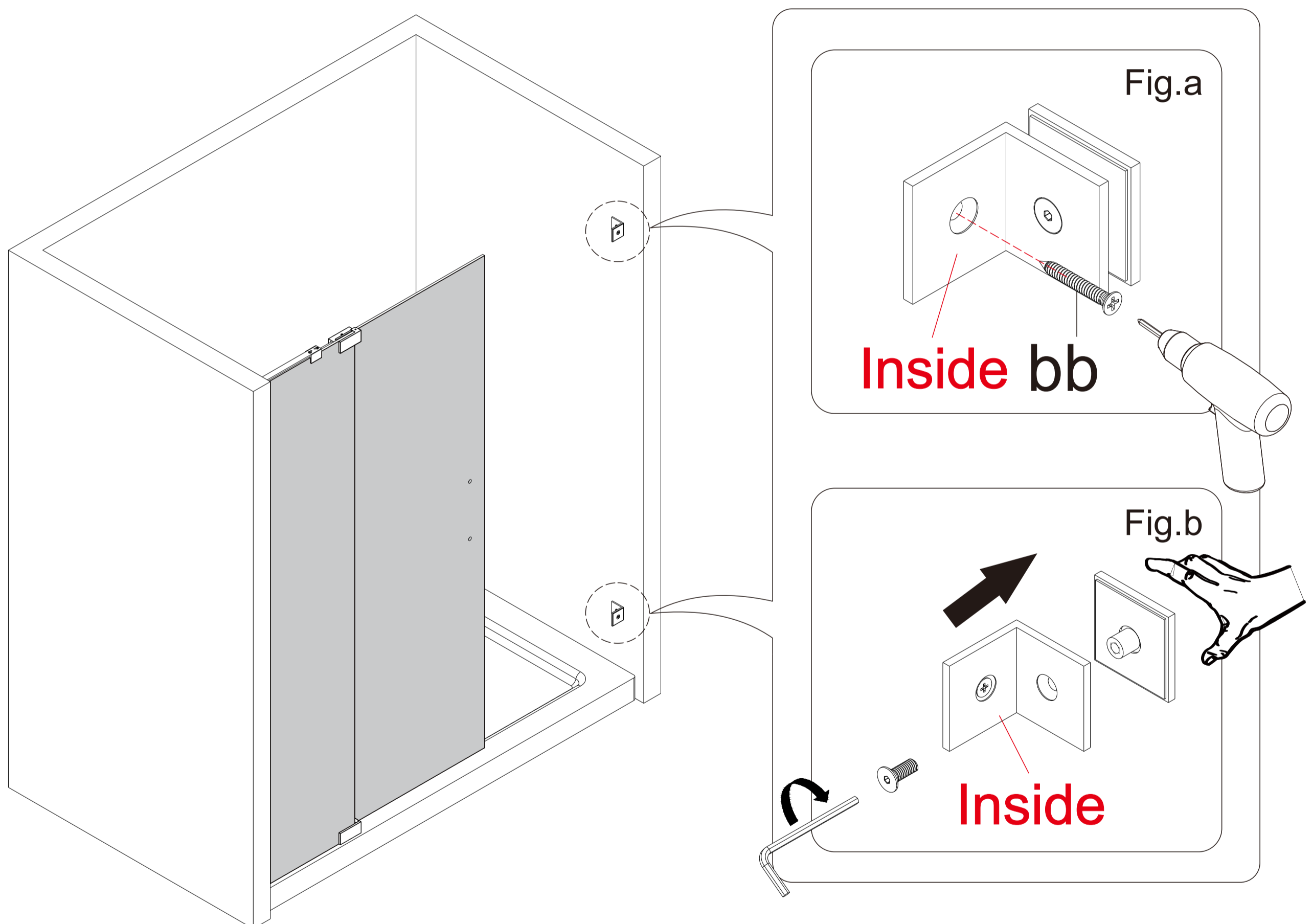


CAUTION: Do not put glass directly on the ground

12 Install Connectors(A)

NOTE

1. Secure the **Connectors(A)** to the wall with **Screws(bb)** as Fig.a.
2. After fixing the **Connector(A)**, take out the **Connector(A)** platen to facilitate the subsequent installation of the **Stationary Glass(H)** as Fig.b

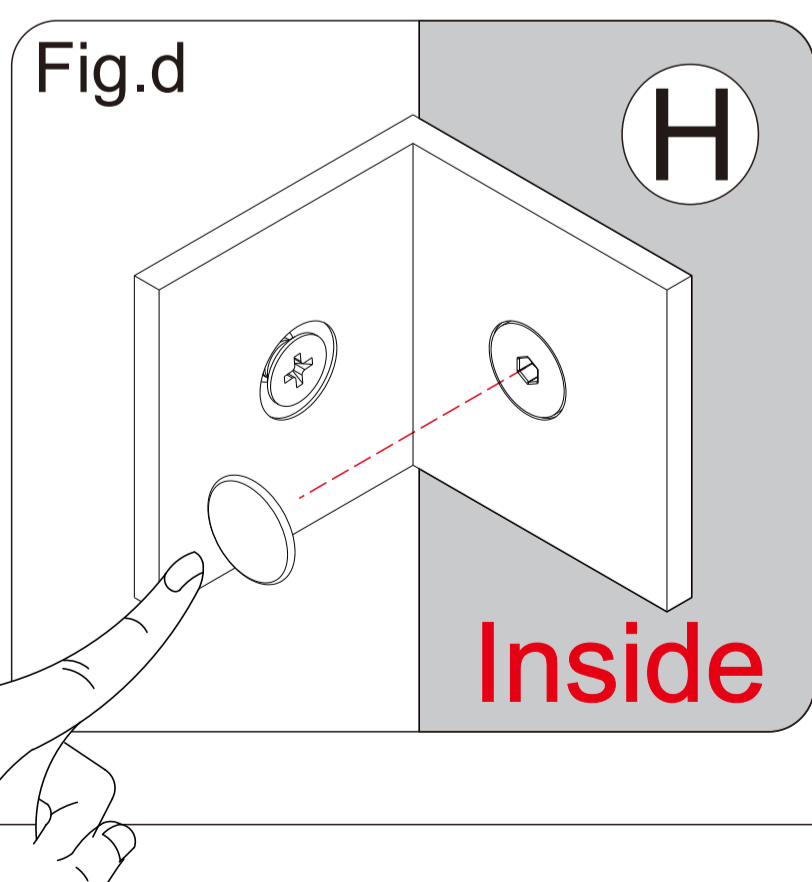
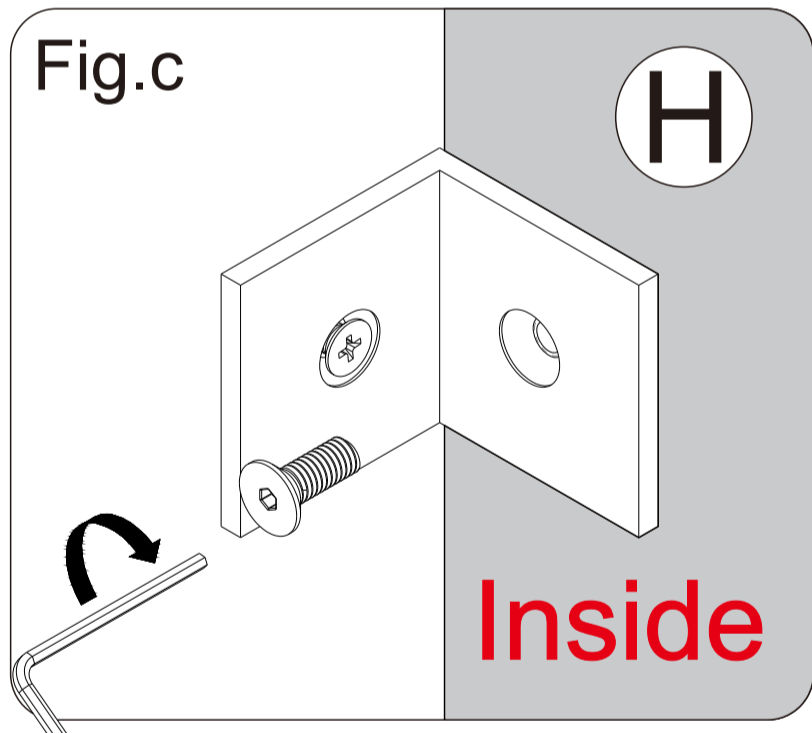
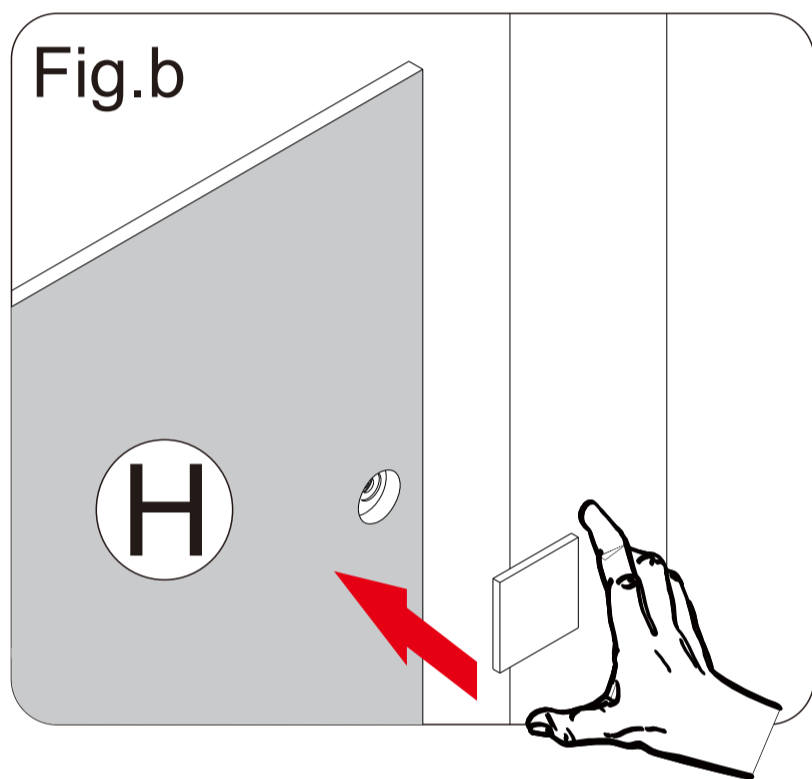
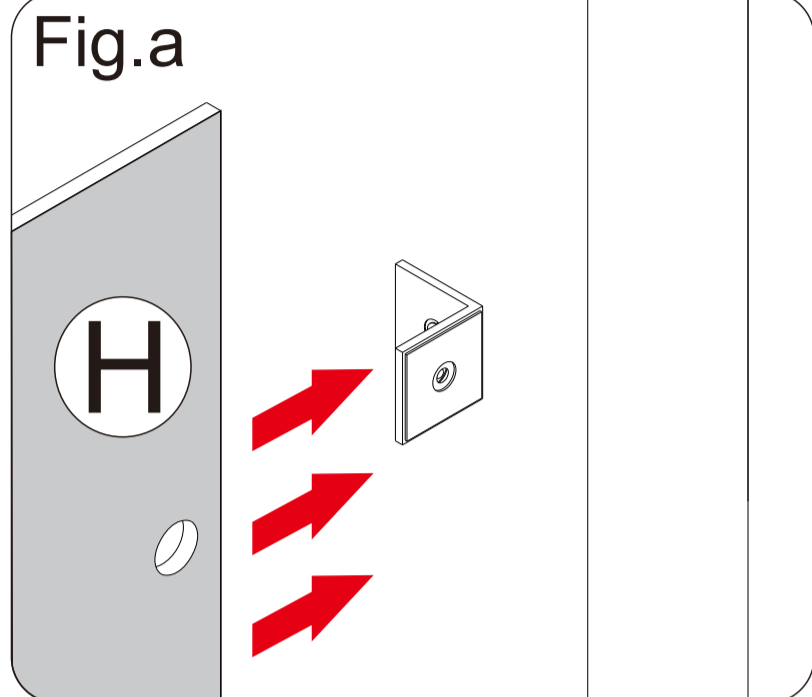
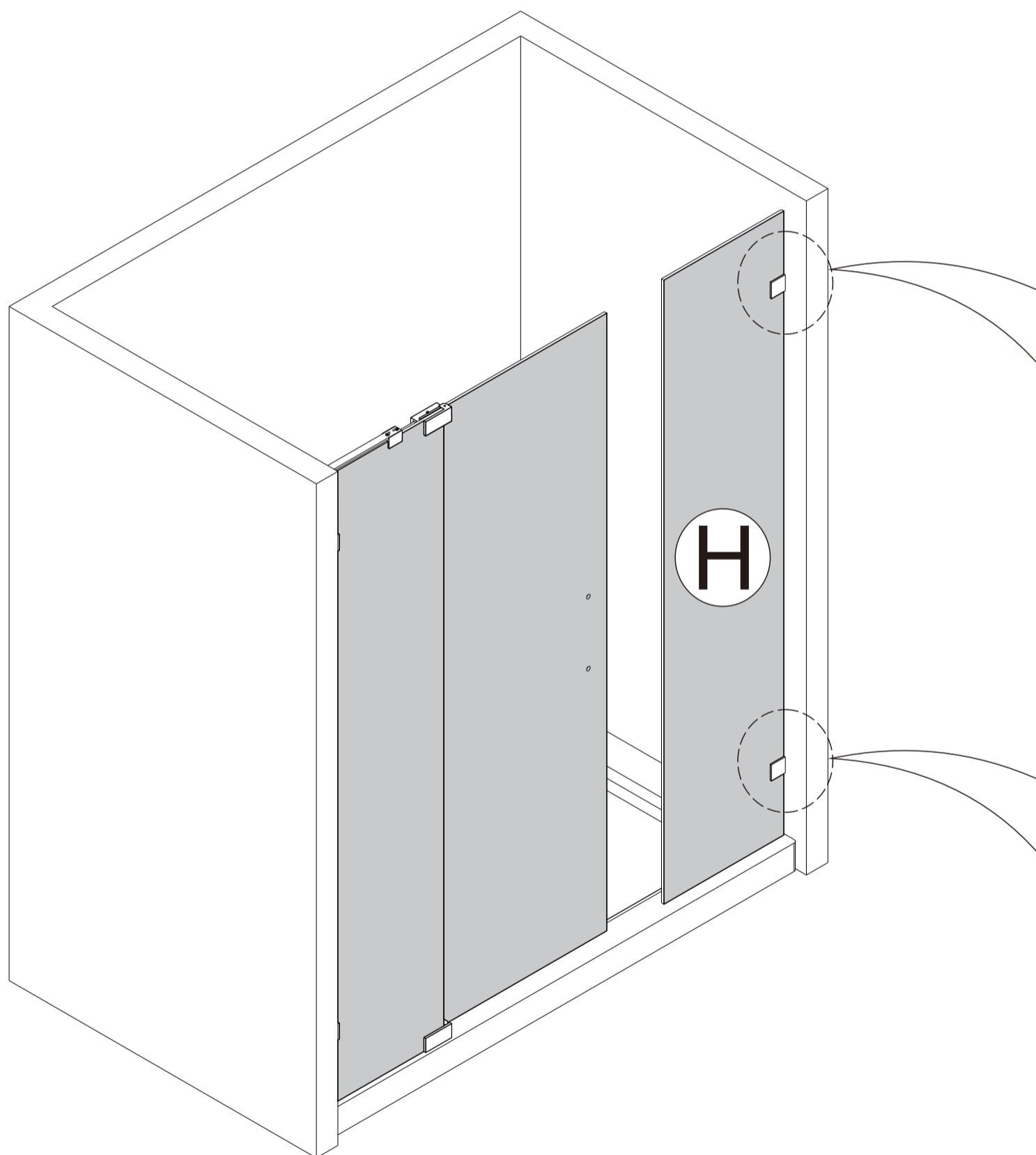


Note: The shower door can be installed left or right, according to the need to determine the installation direction.

13 Install Stationary Glass(H)

NOTE

1. Secure the **Stationary Glass(H)** with a **Connector(A)** as Fig.a & Fig.b and Fig.c
2. Install the trim cover on the **Connector(A)** as Fig.d

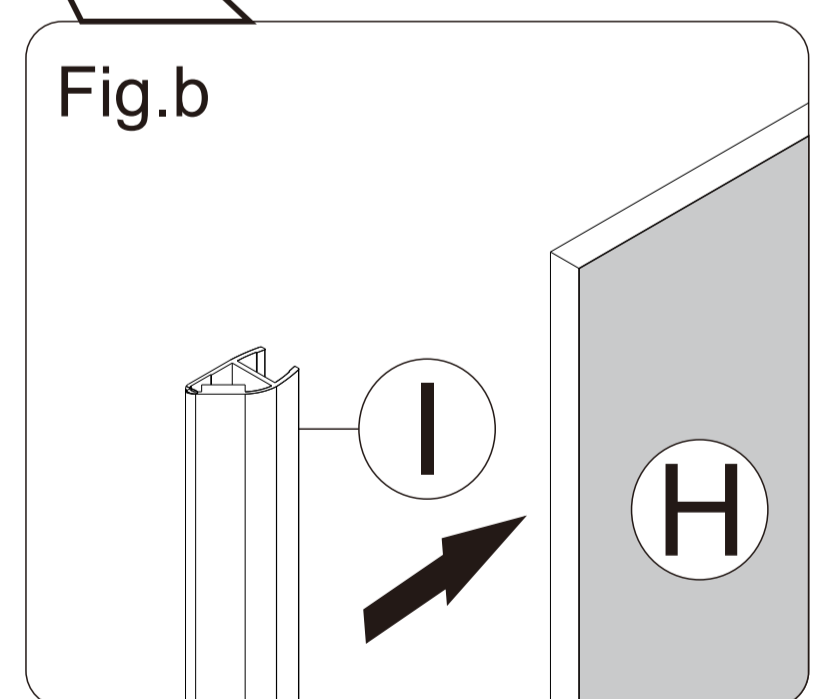
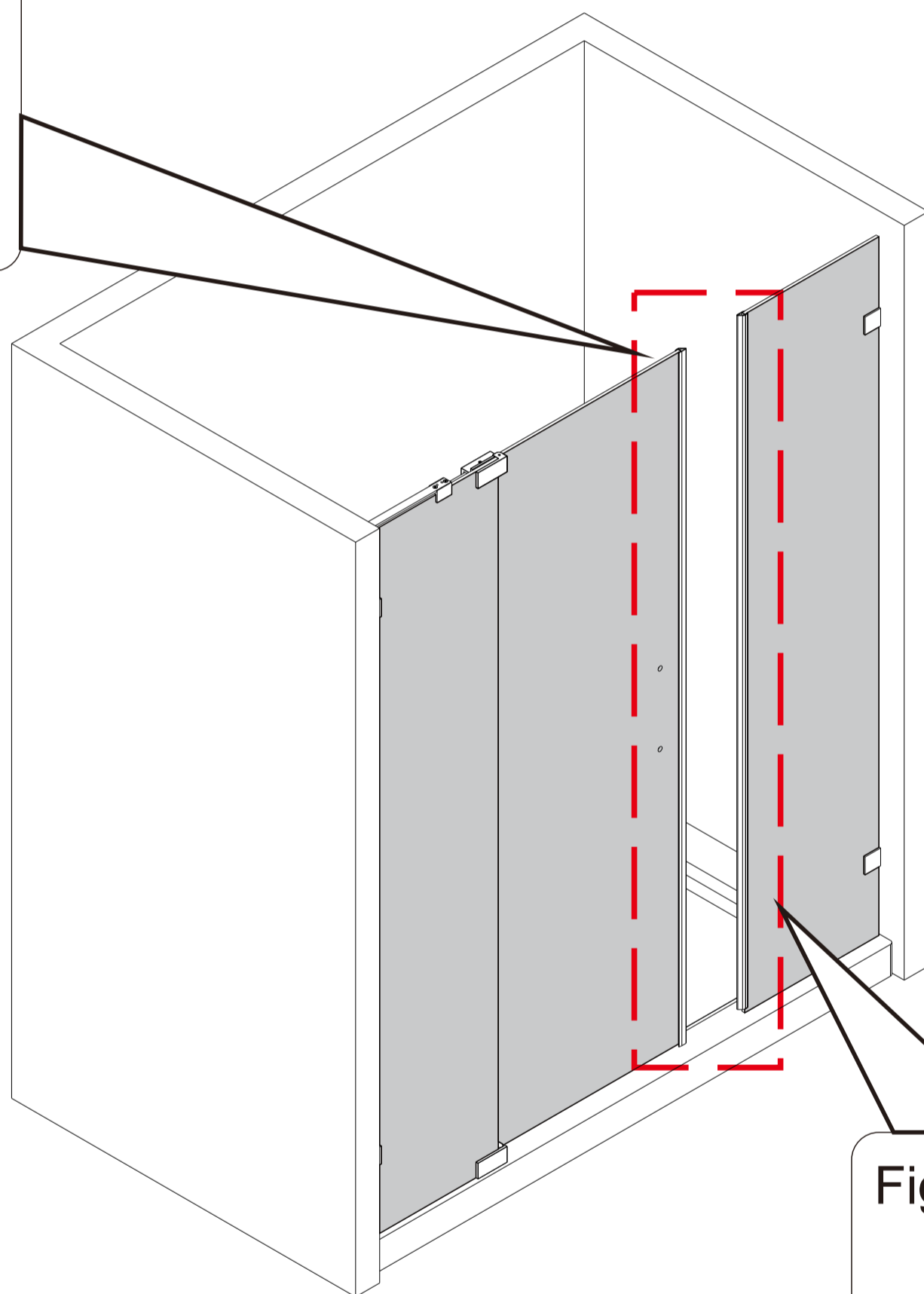
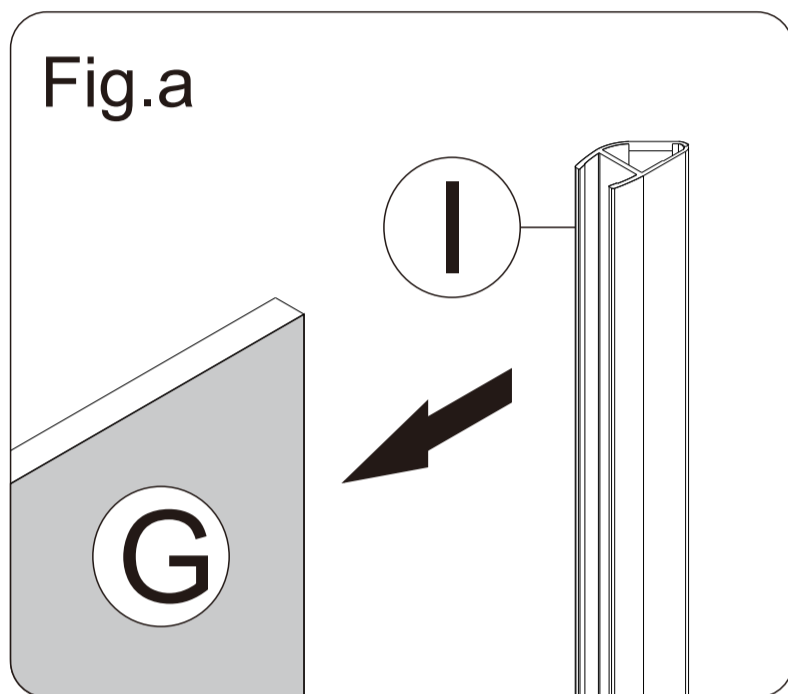


Note: The shower door can be installed left or right, according to the need to determine the installation direction.

14 Install Magnetic Strip(I)

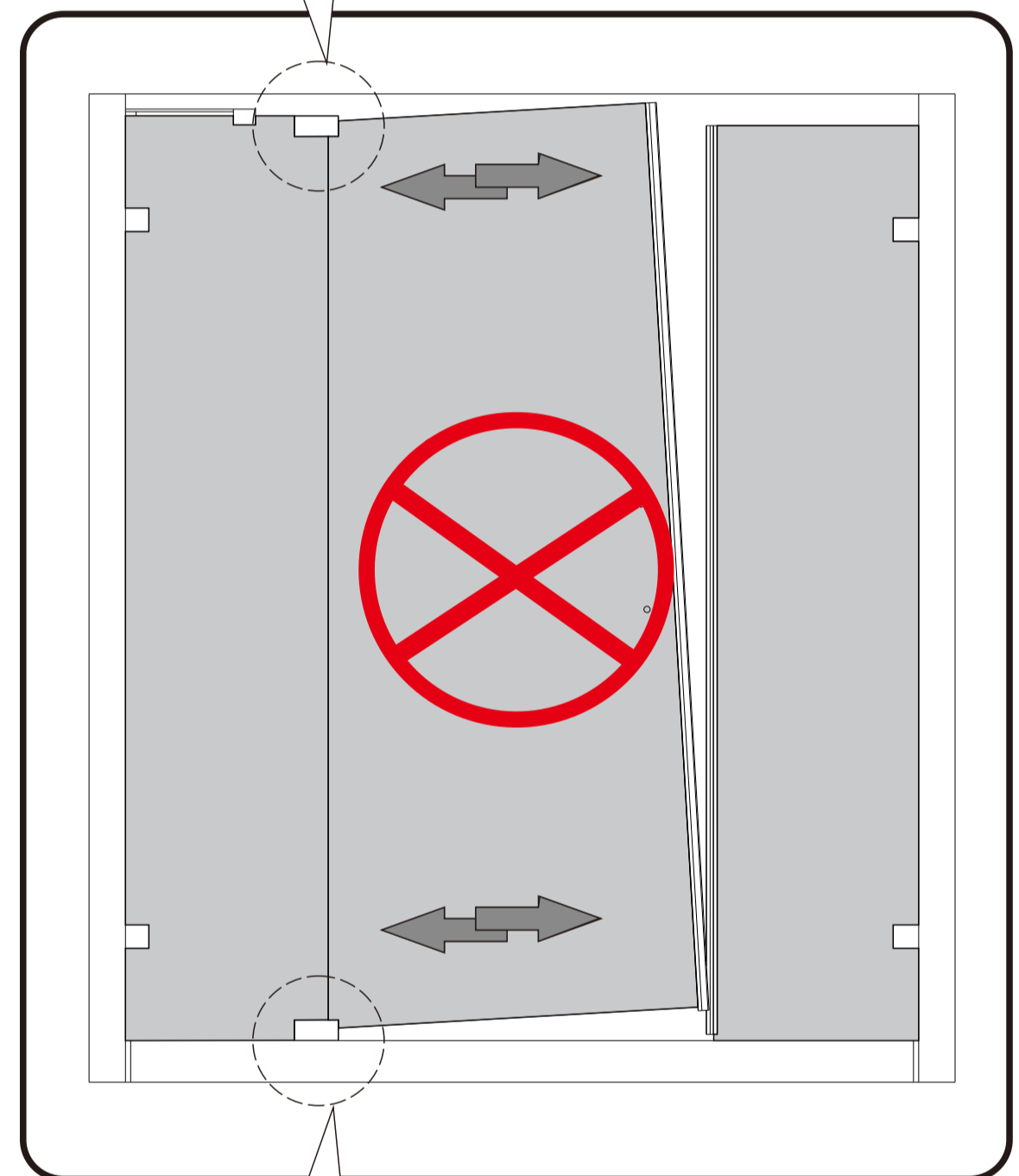
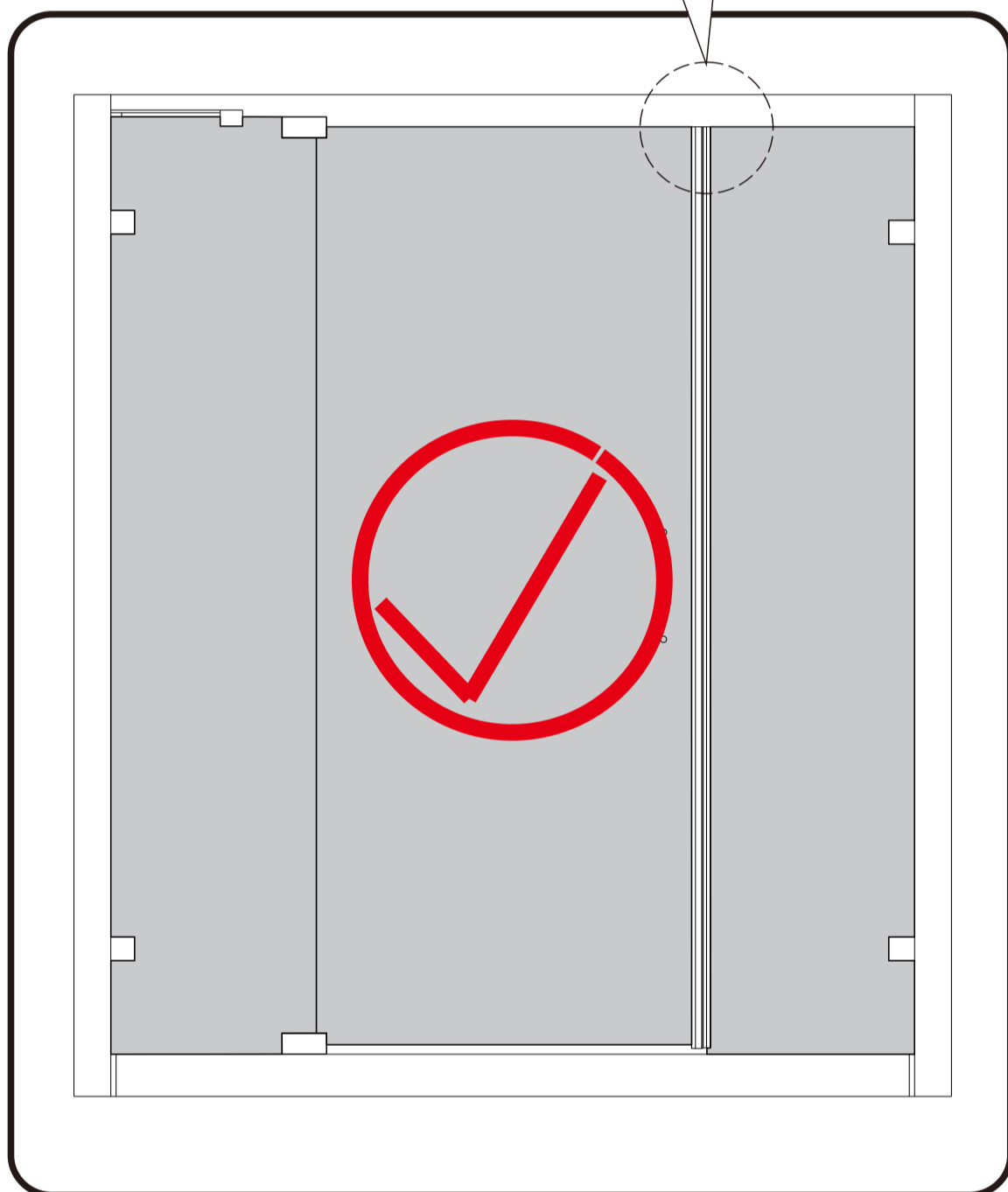
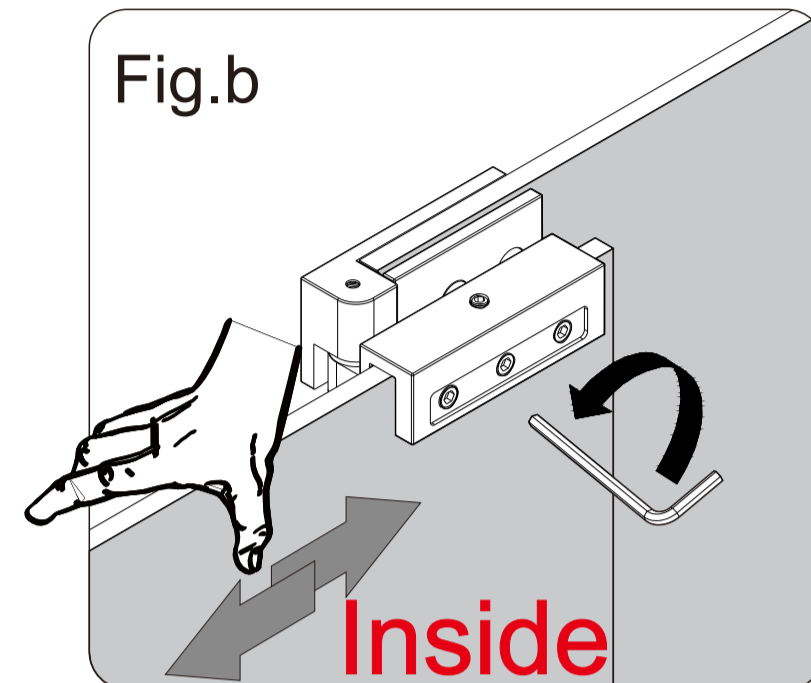
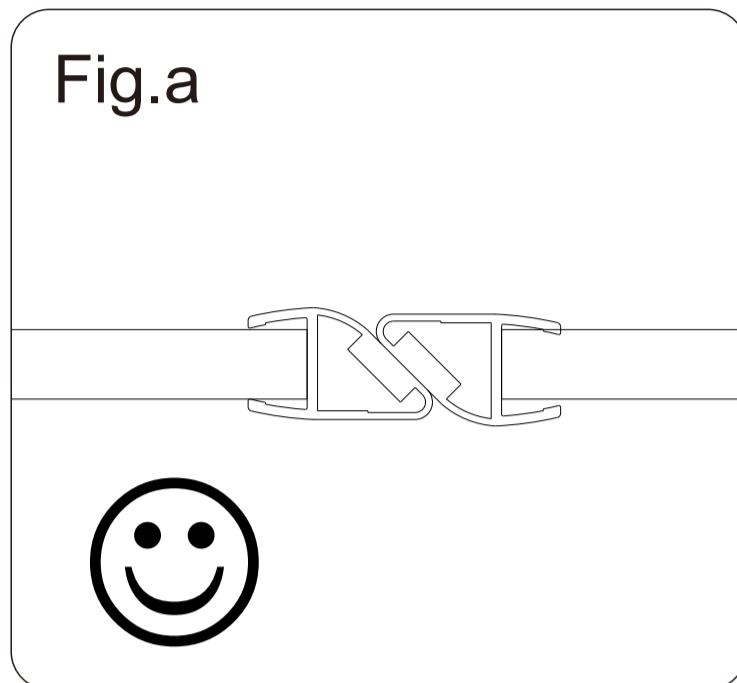
NOTE

1. Install the **Magnetic Strip(I)** on the **Glass Door(G)** as Fig.a .
2. Install the **Magnetic Strip(I)** on the **Stationary Glass(H)** as Fig.b .



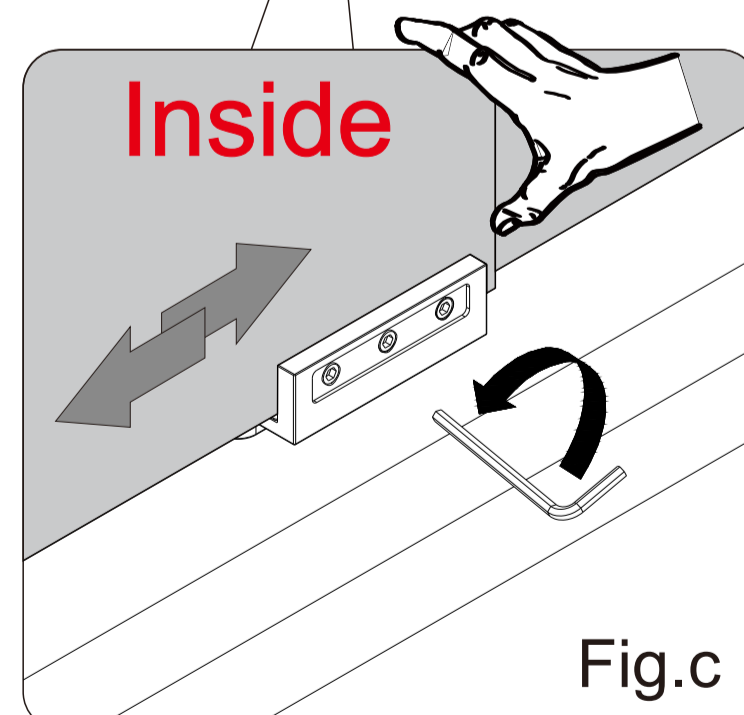
Note: The shower door can be installed left or right, according to the need to determine the installation direction.

15 Adjustment



NOTE

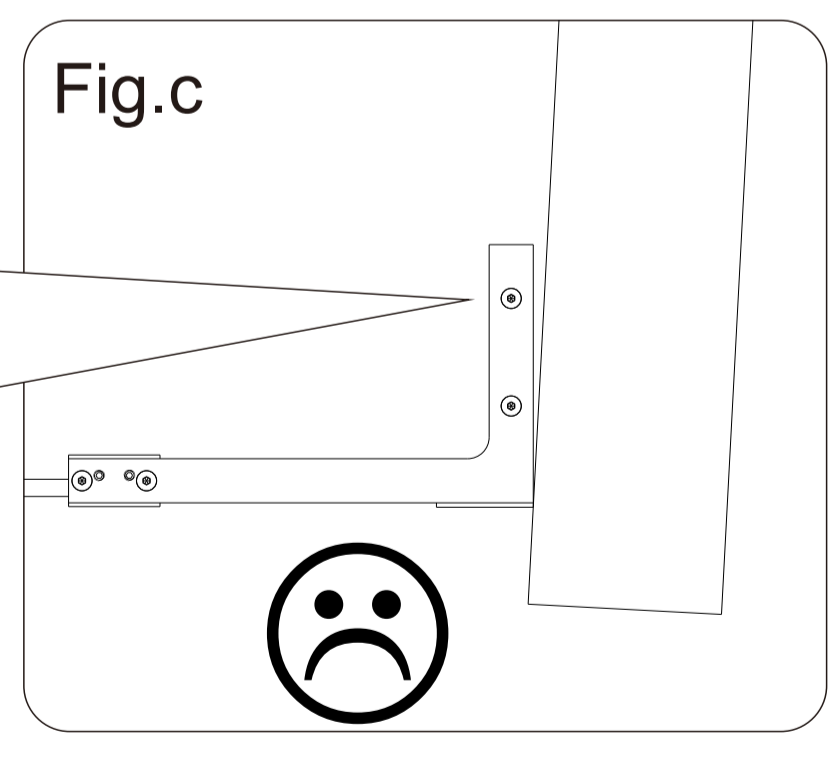
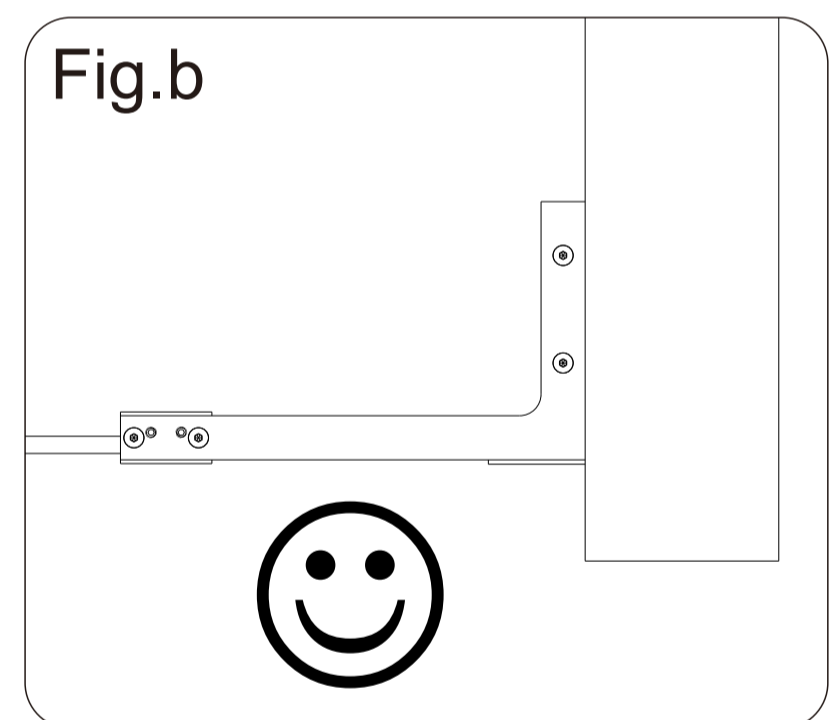
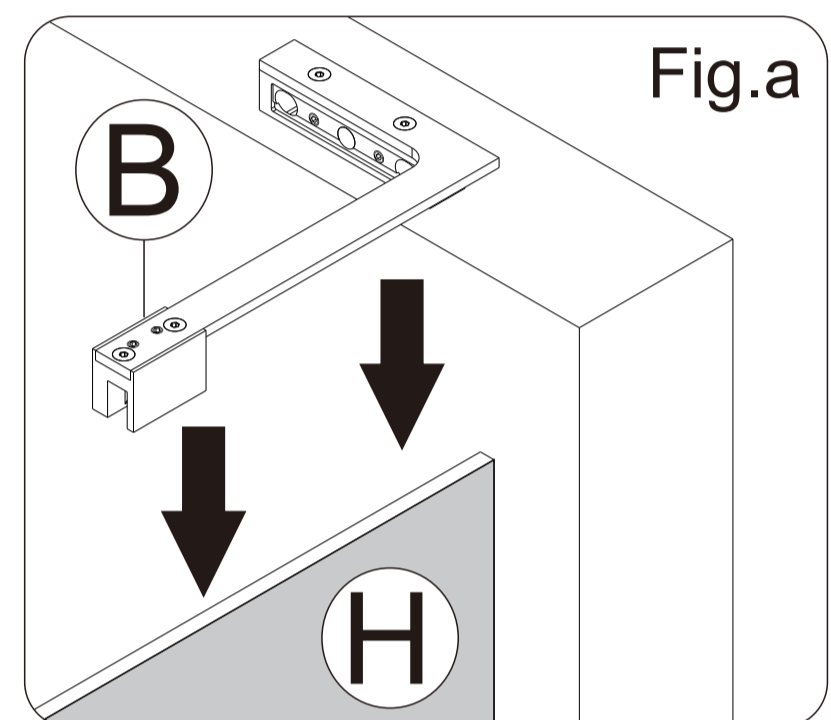
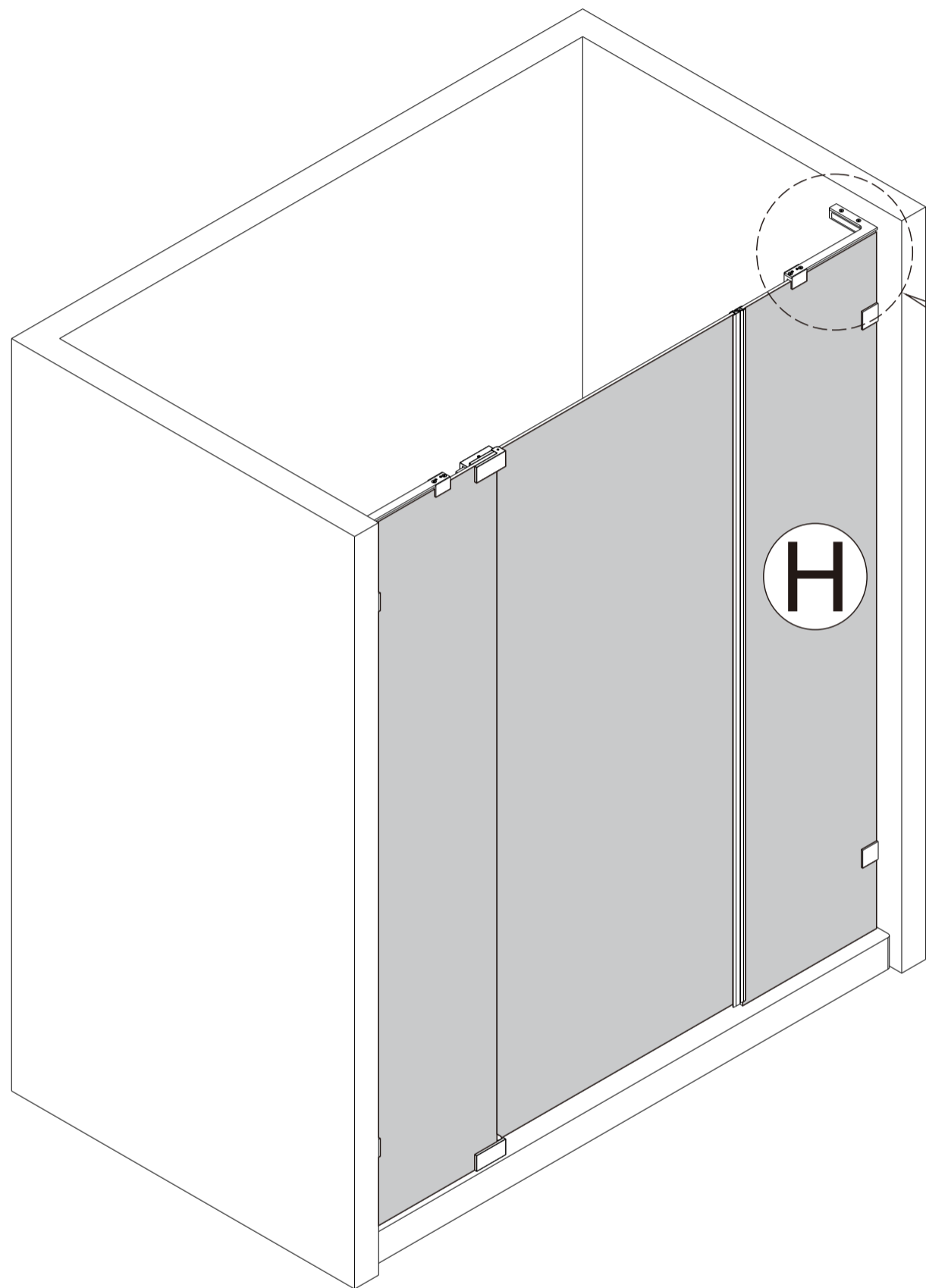
Loosen the screws in the **Pivot Sleeve (E&F)** , adjust the **Glass Door (G)** left and right until the **Magnetic Stripe (I)** fits, and then tighten the screws in the **Pivot Sleeve (E&F)** as Fig.a & Fig.b and Fig.c .



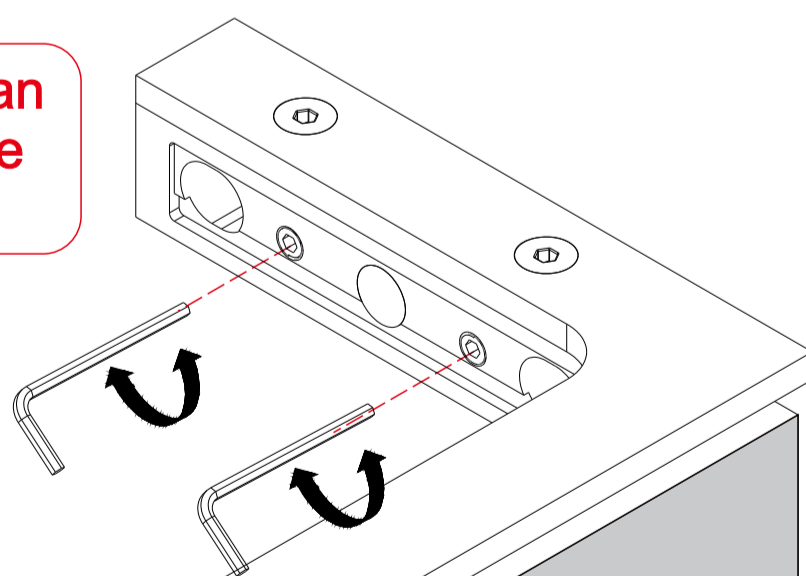
16-1 Install **Pull Rod(B)**

NOTE

1. Install the **Pull Rod(B)** on the **Stationary Glass(H)** as Fig.a
2. Note that the **Pull Rod(B)** should be perpendicular to the wall, if it is not vertical, you can twist the screw to adjust the **Pull Rod(B)** as Fig.b、 Fig.c and Fig.d



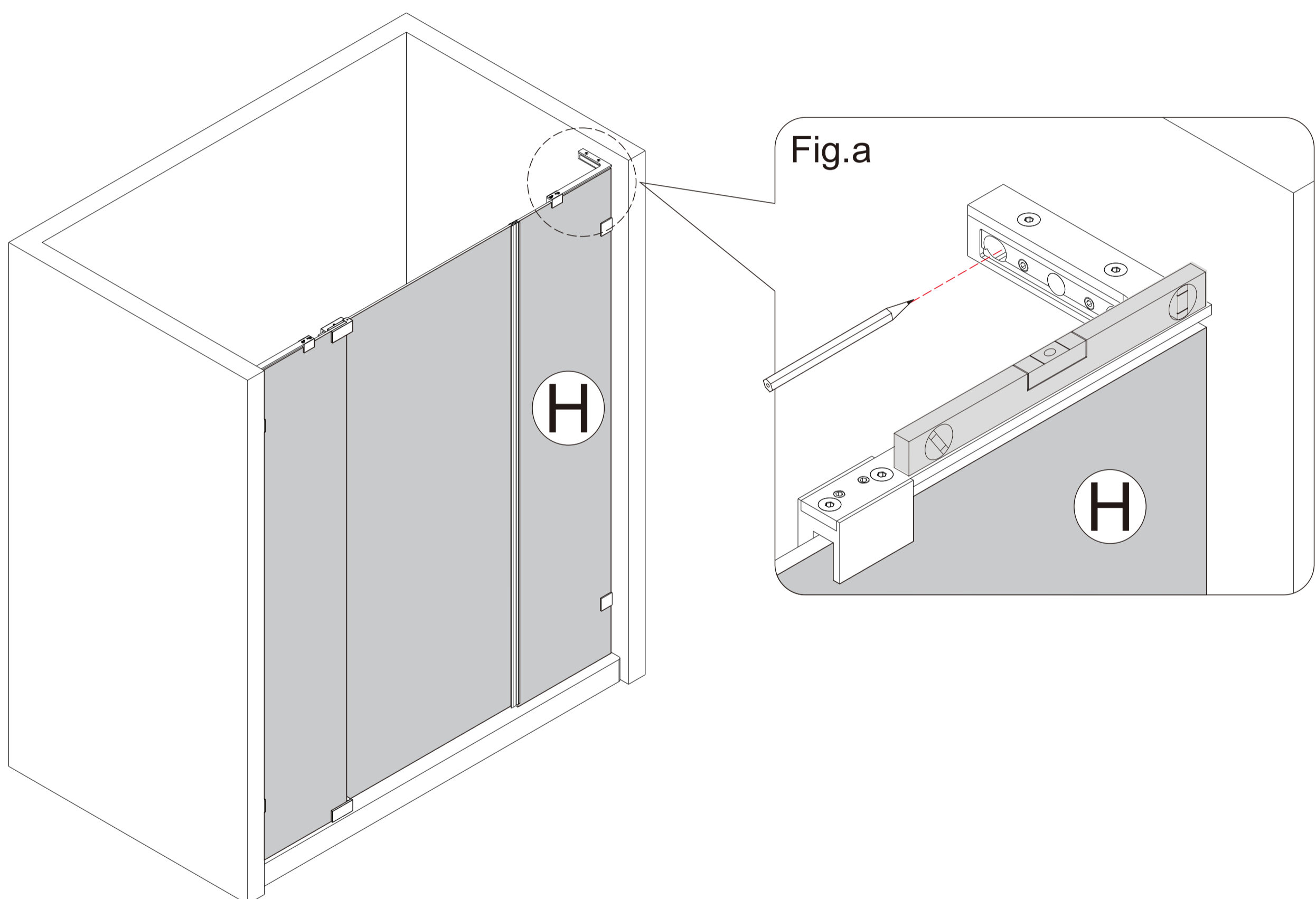
If the wall is not level, it can be adjusted by twisting the **Pull Rod(B)** screws



16-2 Install **Pull Rod(B)**

NOTE

1. Once the **Pull Rod(B)** is level, mark the hole with a pencil as Fig.a .

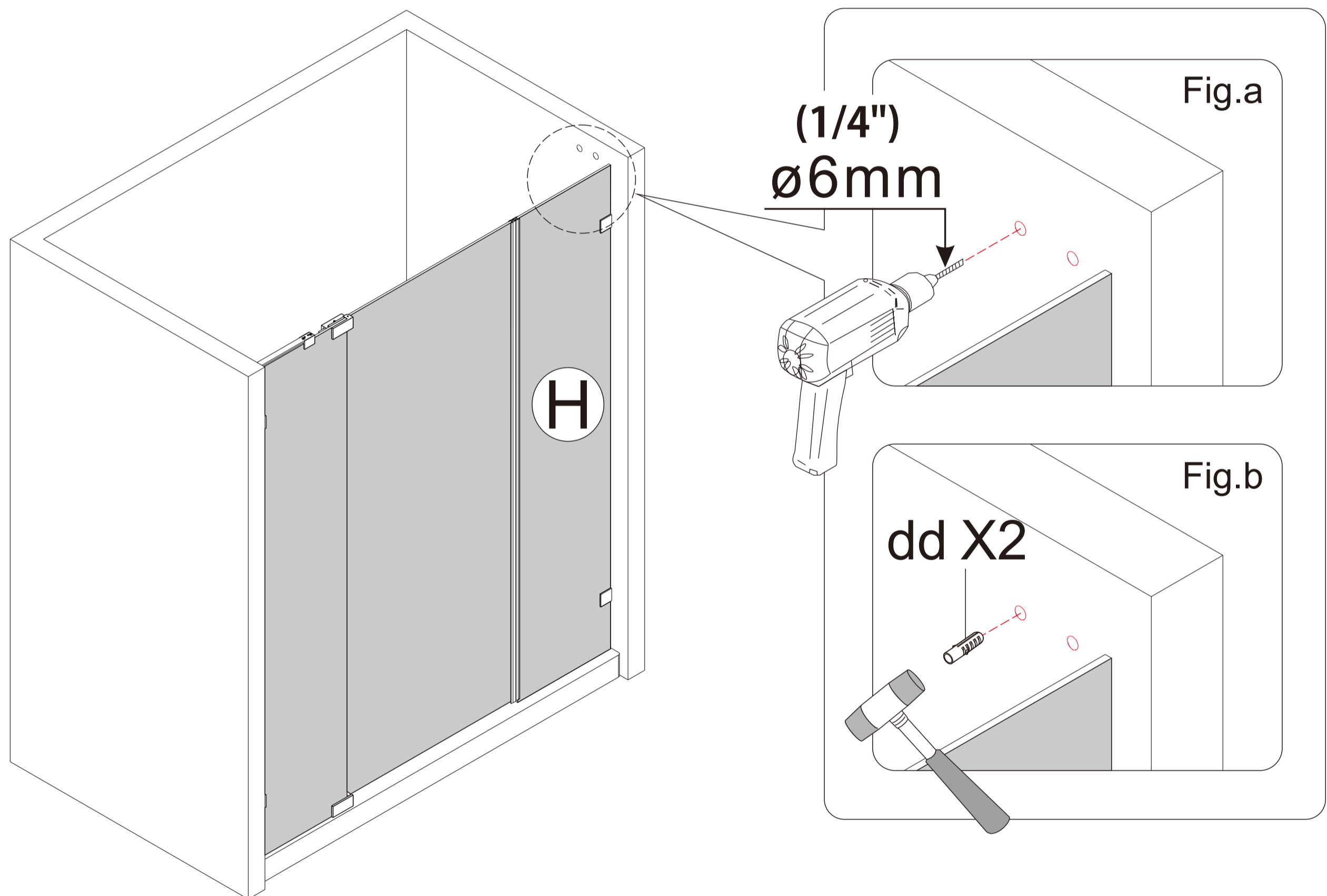


Note: The shower door can be installed left or right, according to the need to determine the installation direction.

16₋₃ Install Wall Anchor(dd)

NOTE

1. Drill holes with $\Phi 6\text{mm}(1/4\text{'})$ drill bit as Fig.a.
2. Insert the **Wall Anchors(dd)** as Fig.b.



NOTE

- If a Stud is present behind the wall:
drill $\Phi 1/8\text{'}$ (3mm) pilot holes into the stud and use the ST4.0x40mm **Screws(ee)**
OR
- If NO Stud is present behind the wall:
drill $\Phi 1/4\text{'}$ (6mm) holes and insert the **Wall Anchors(dd)** and use the ST4.0x40mm **Screws(ee)**.

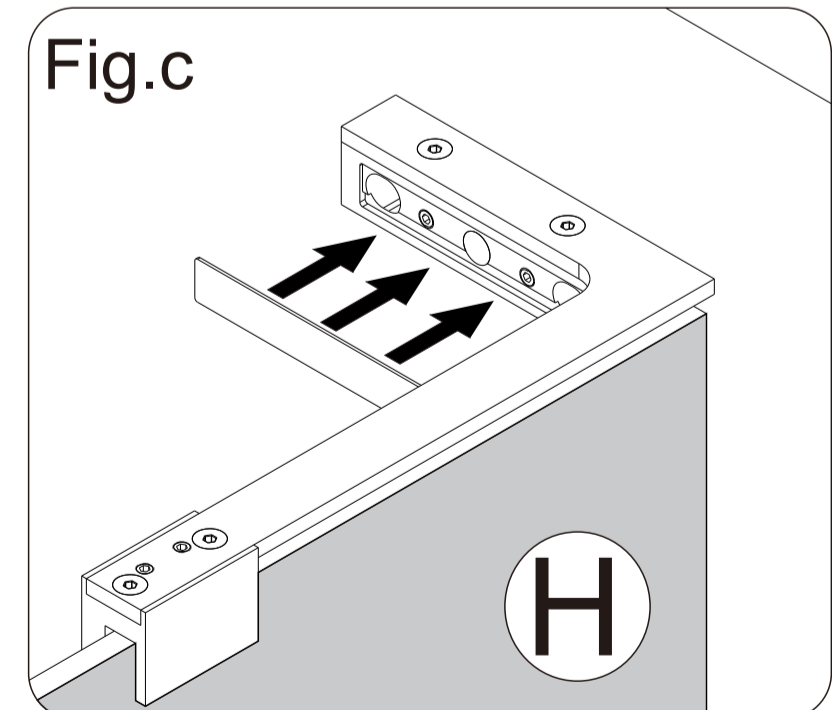
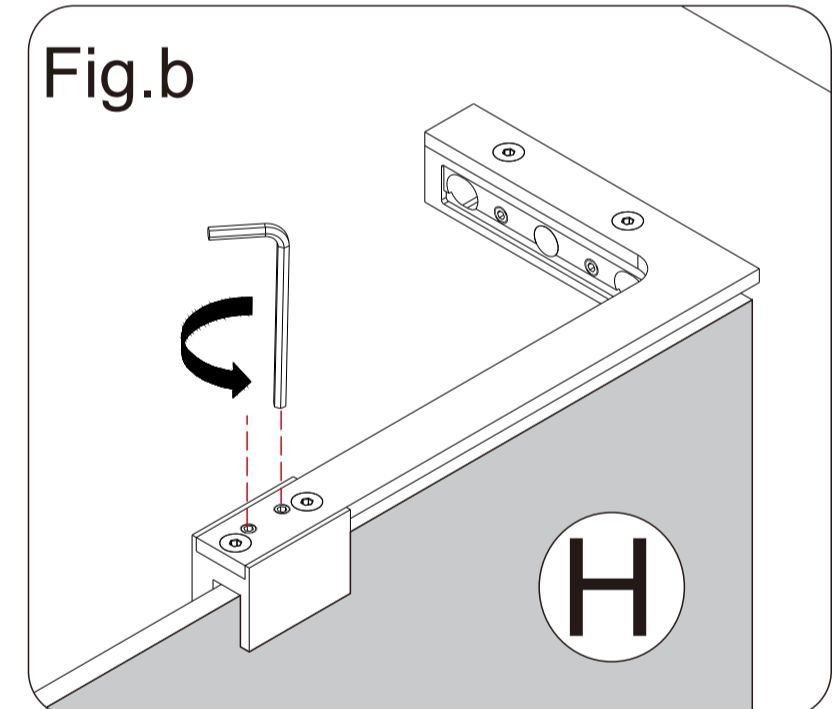
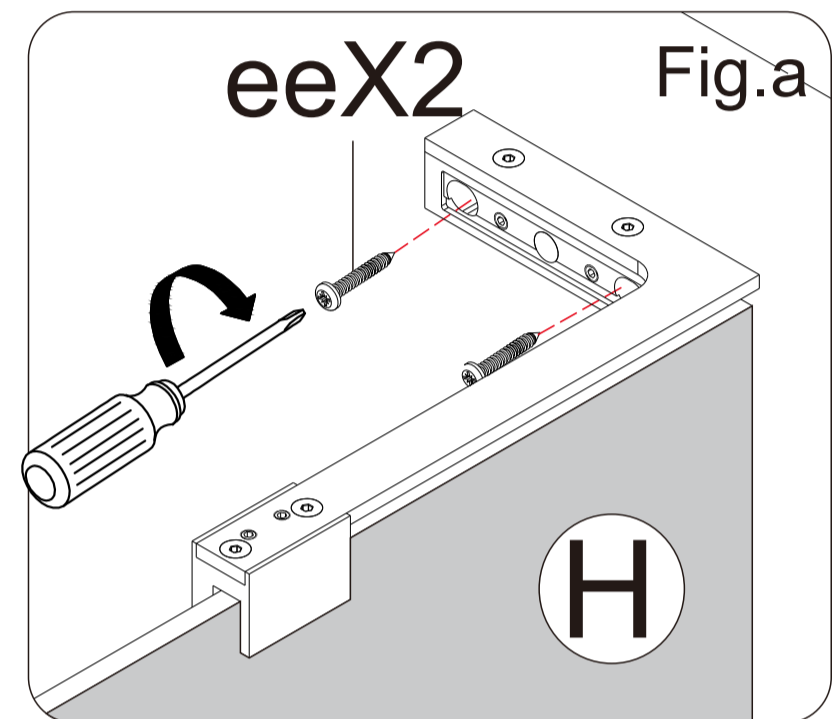
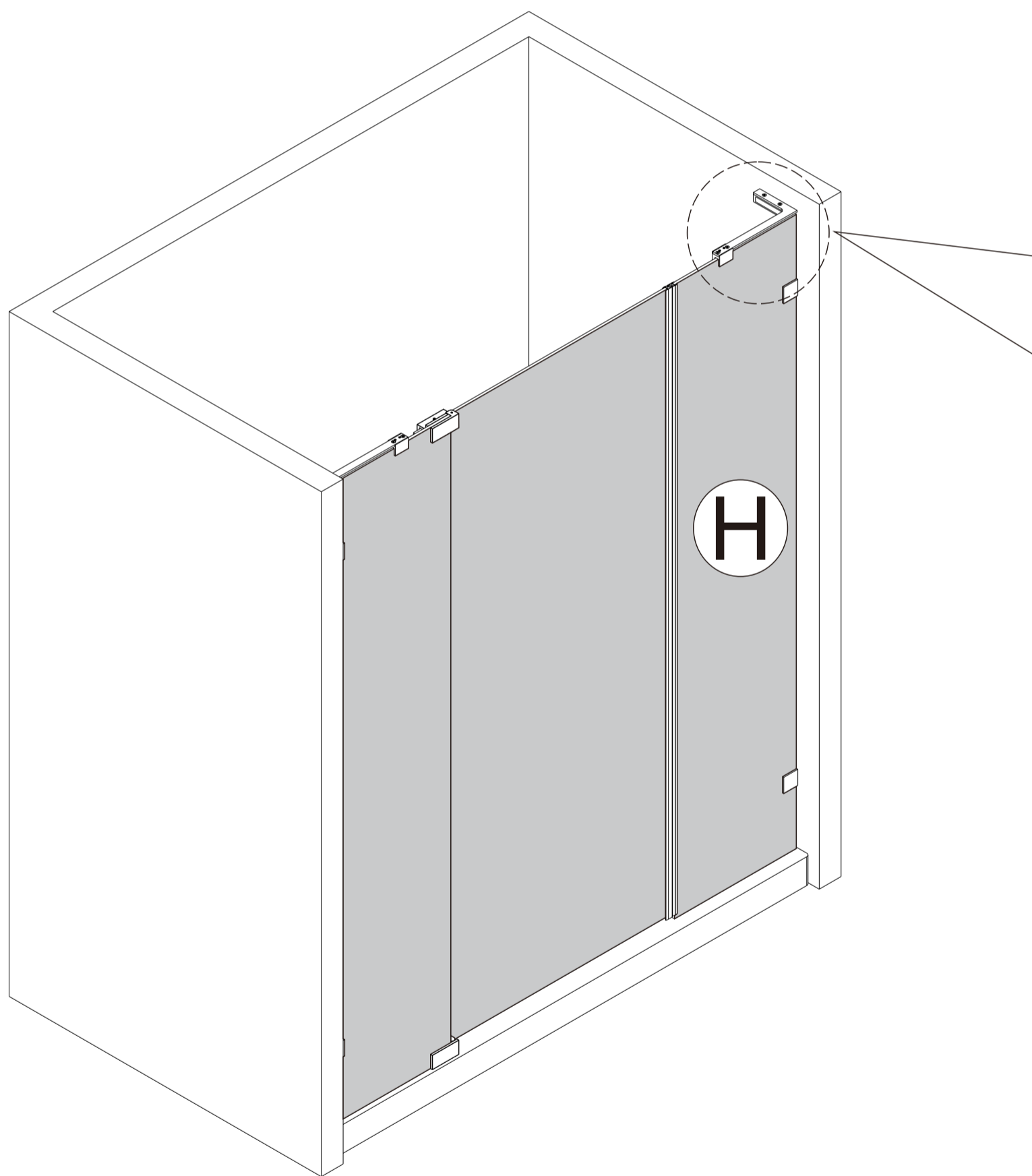


Note: The shower door can be installed left or right, according to the need to determine the installation direction.

16-4 Install **Pull rod(B)**

NOTE

1. Secure the **Pull rod(B)** to the wall with **Screws (ee)** as Fig.a
2. Twist the screws on the **Pull rod(B)** so that the **Pull rod(B)** holds the **Stationary Glass(H)** as Fig.b
3. Install the decorative cover on the **Pull rod(B)** as Fig.c

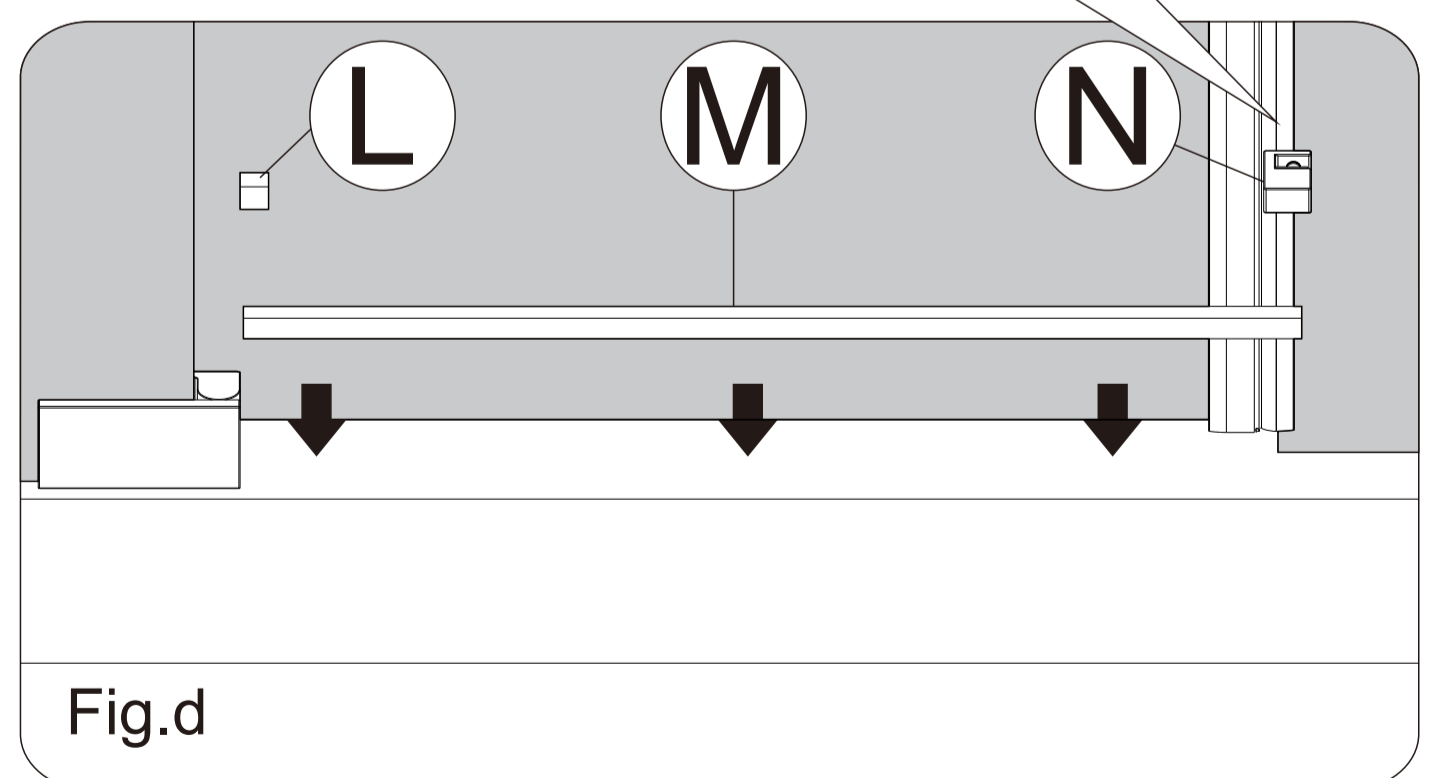
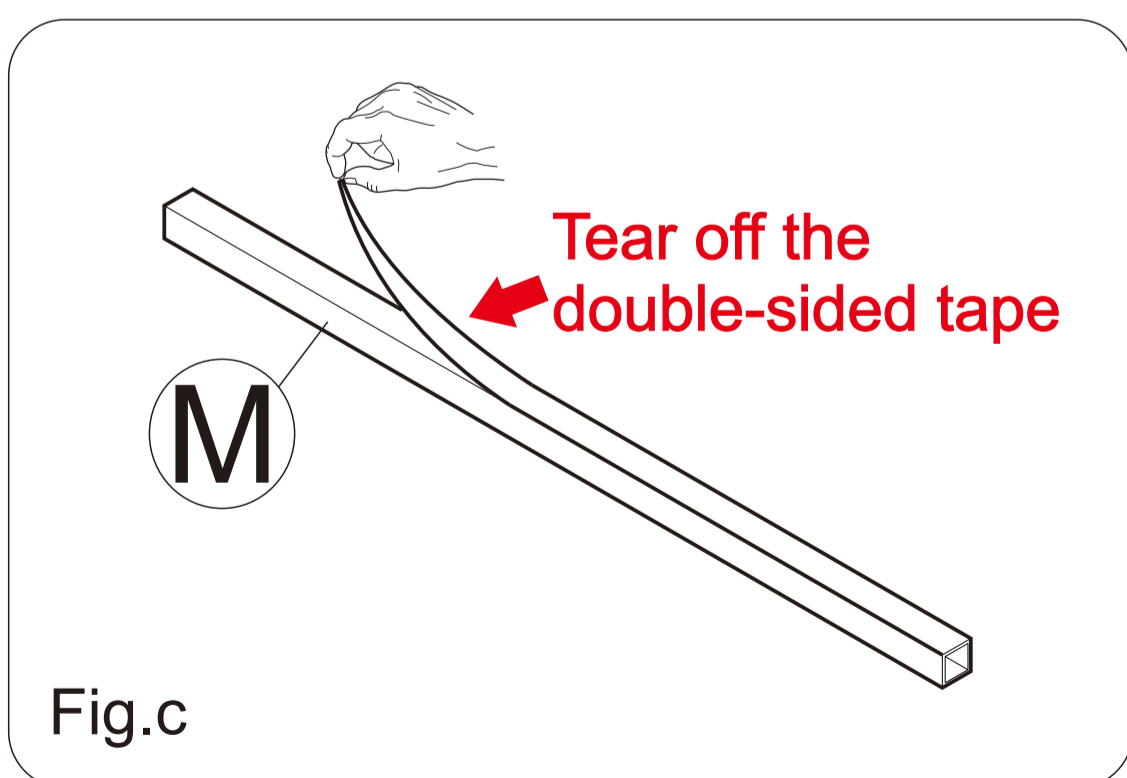
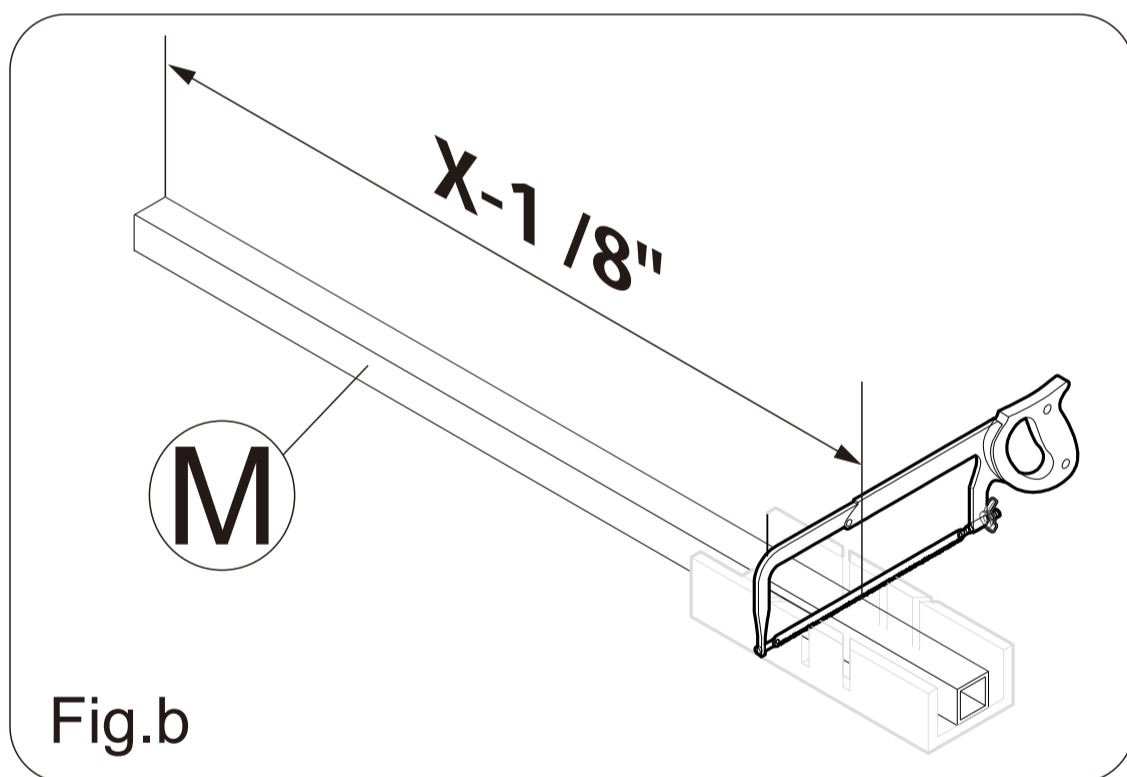
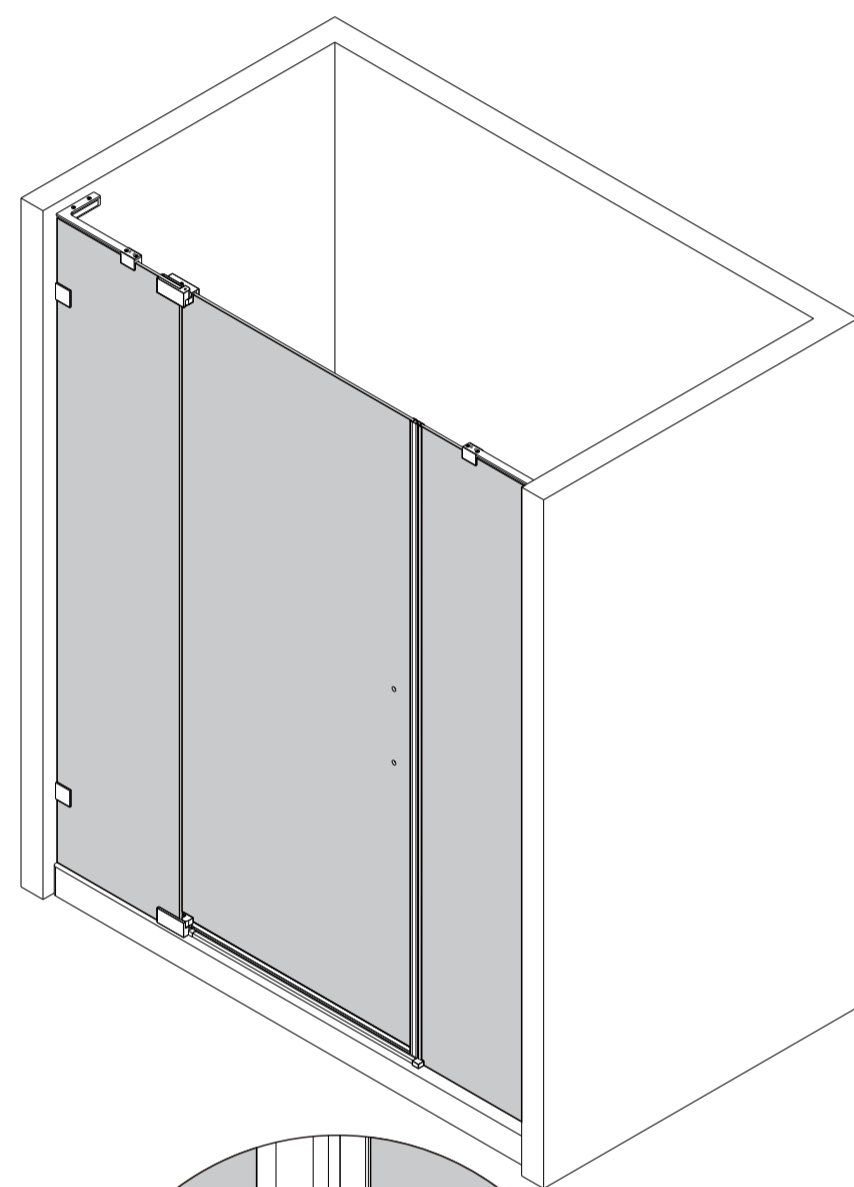
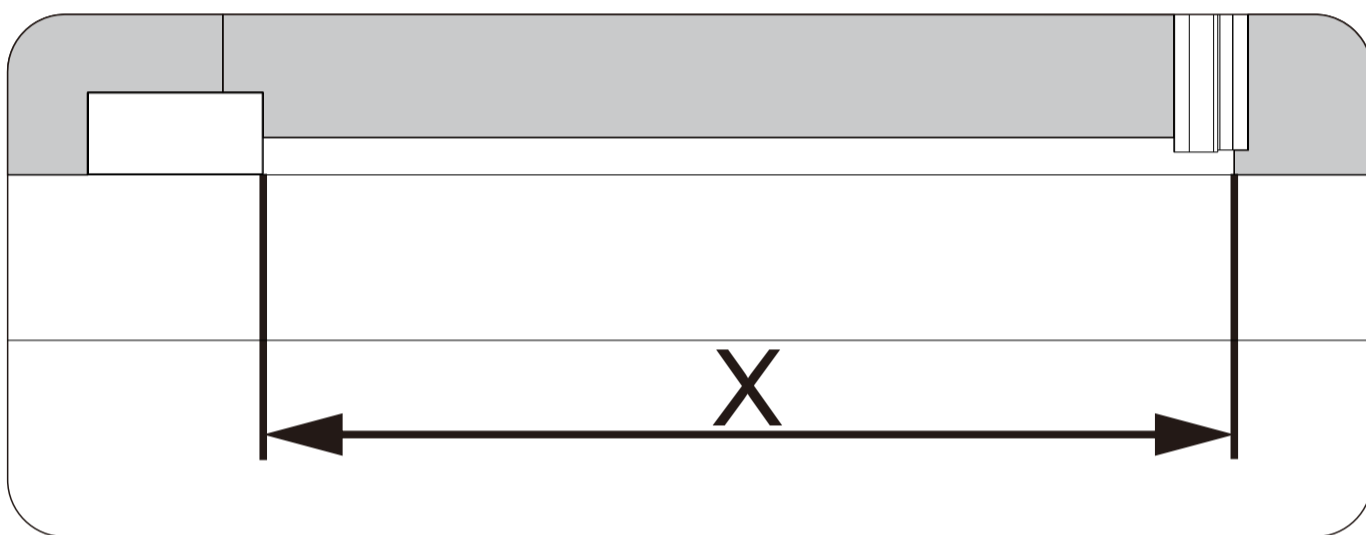


Note: The shower door can be installed left or right, according to the need to determine the installation direction.

17 Install the **Alu.Threshold(M)**

NOTE

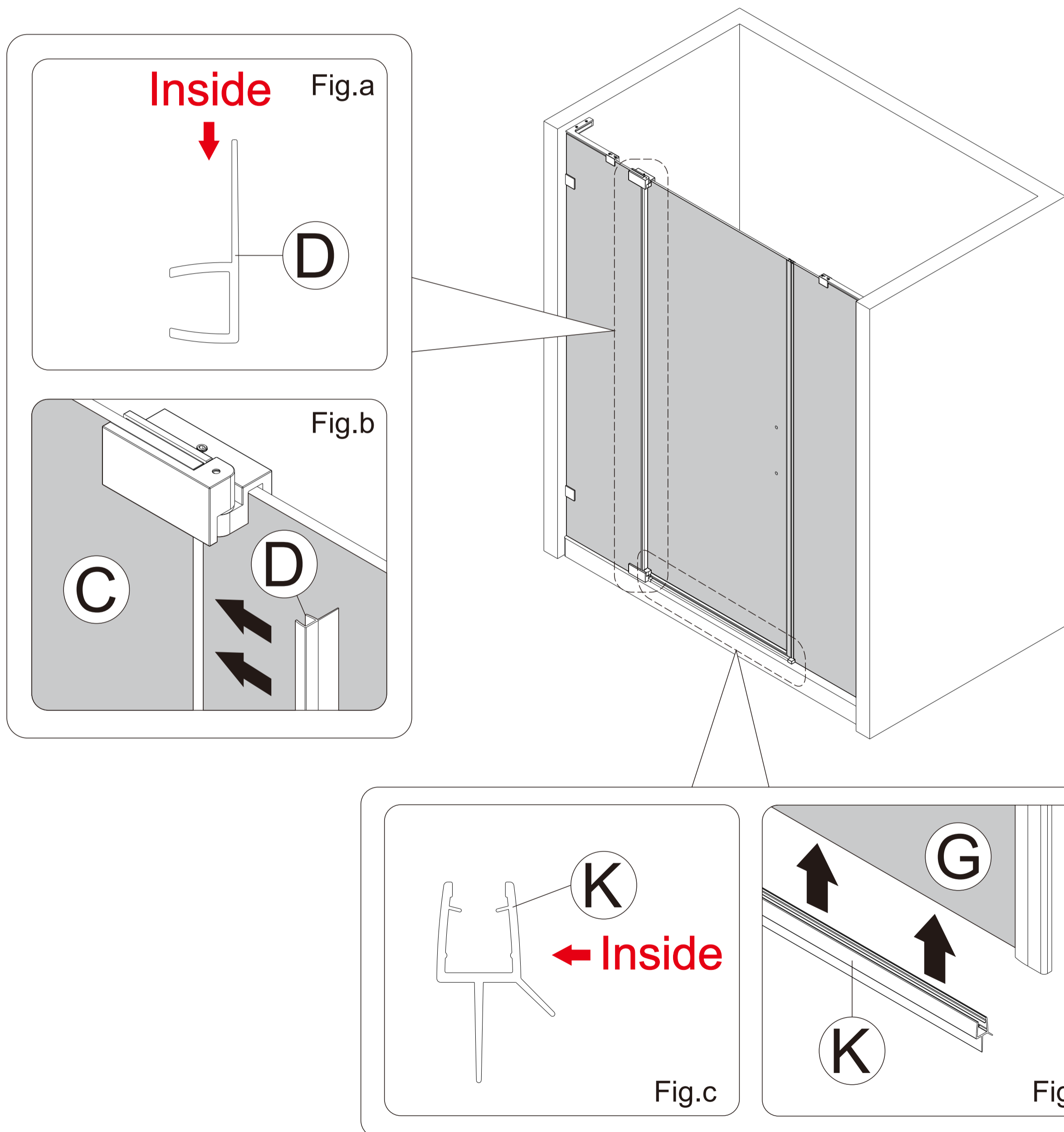
1. Measure the distance between the Pivot Sleeve and the **Glass Door (H)** as Fig.a .
2. Cut the **Alu. Threshold (M)** to the right size as Fig.b .
3. Tear off the double-sided tape on the **Alu.Threshold(M)** as Fig.c
4. Installing the **Alu. Threshold (M)** and Connector (M) as Fig.d .
5. Install the **Connector (M)** on the **Stationary Glass (H)** and fix it with a wrench .



18 Install the **Anti-Water Strip(D)** and **Bottom Anti-Water Strip(K)**

NOTE

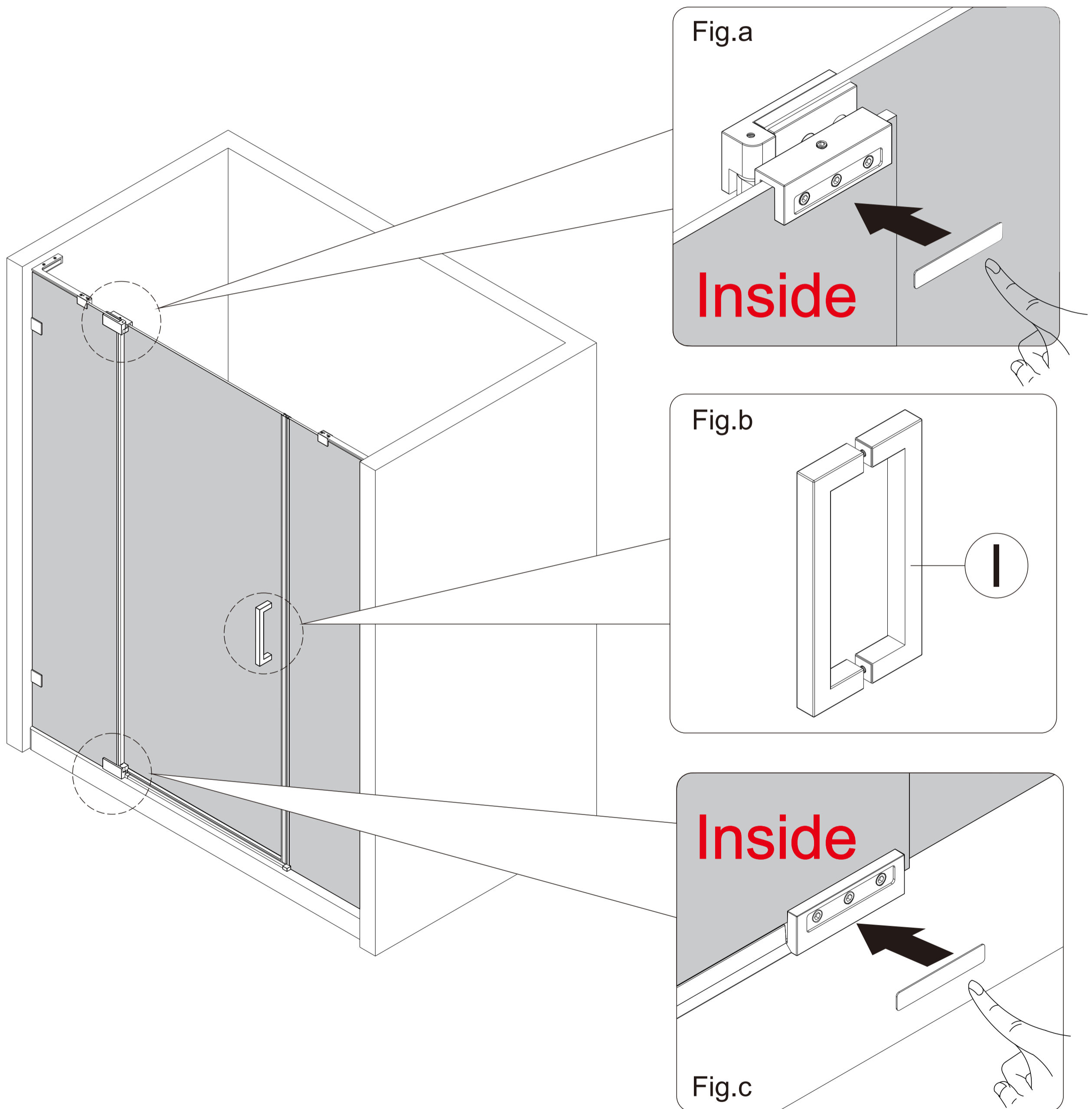
1. Install the **Anti-Water Strip(D)** on the **Stationary Glass(C)** as Fig.a and Fig.b .
2. Install the **Bottom Anti-Water Strip(K)** on the **Glass Door(G)** as Fig.c and Fig.d .



19 Install the **Handle(J)** and the **Pivot Sleeve(E&F)** cover

NOTE

1. Install **Pivot Sleeve(E&F)** Cover as Fig.a and Fig.c .
2. Install the **Handle(J)** on the **Glass Door(G)** as Fig.b .

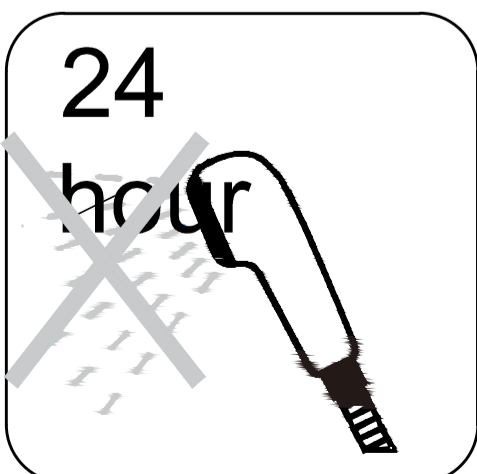
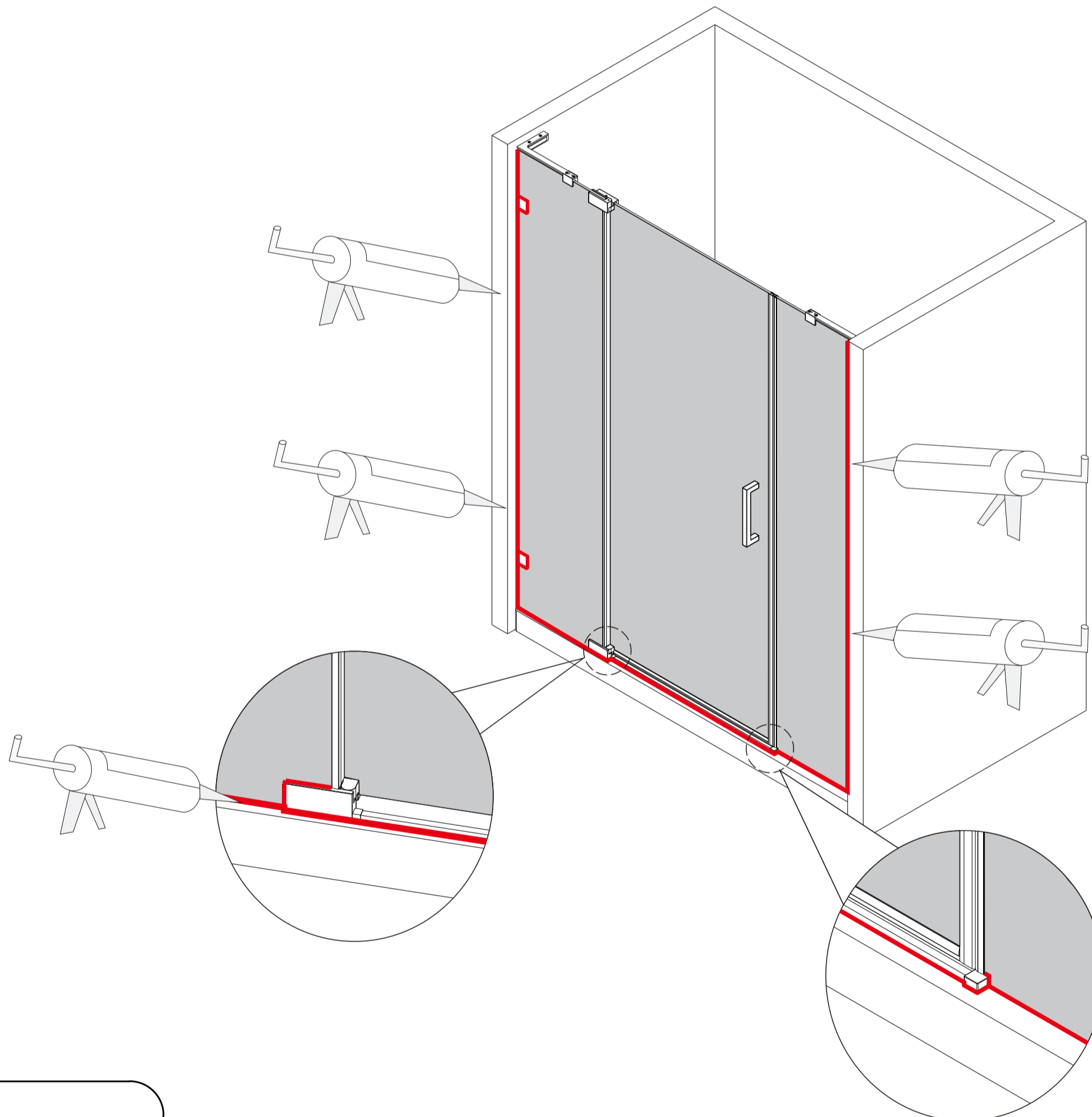


20 SEALING

NOTE The surfaces need to be clean and free of debris before applying silicone.

NOTE Make sure that the Shower door closes tightly and opens smoothly. Apply a good quality silicone sealant along the **Stationary Glass** and **Alu. Threshold(M)**.

! Allow 24 hours for the silicone to cure before using the shower.



! Apply Silicone Sealant, (not supplied).



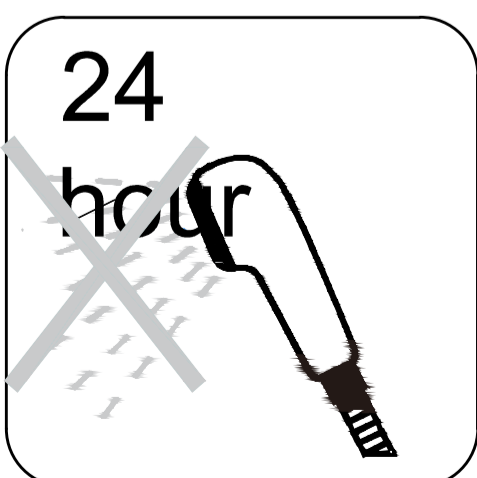
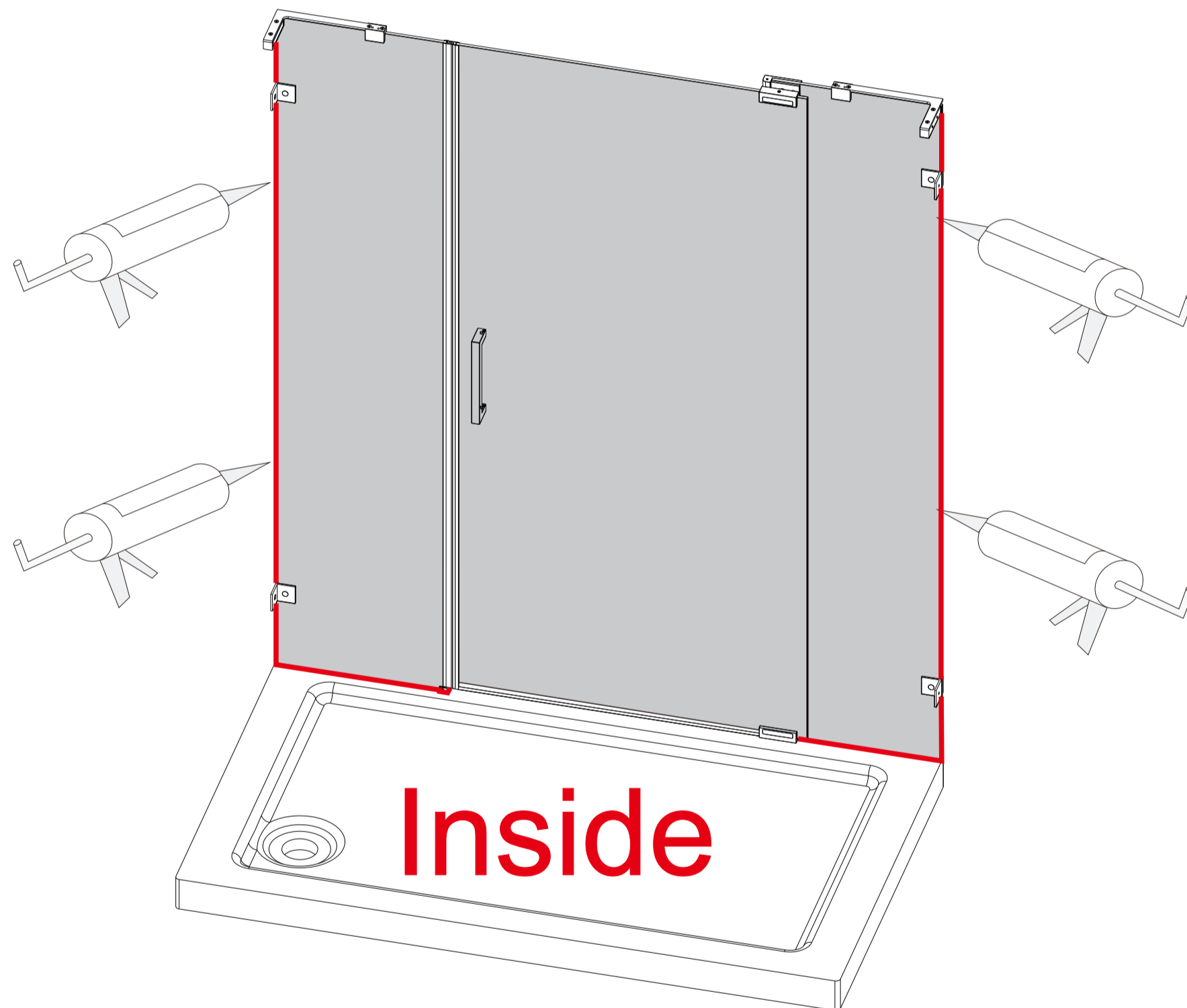
The shower room needs to be sealed inside and out

21 SEALING

NOTE The surfaces need to be clean and free of debris before applying silicone.

NOTE Make sure that the Shower door closes tightly and opens smoothly. Apply a good quality silicone sealant along the **Stationary Glass** and **Alu. Threshold(M)**.

! Allow 24 hours for the silicone to cure before using the shower.



! Apply Silicone Sealant, (not supplied).



The shower room needs to be sealed inside and out