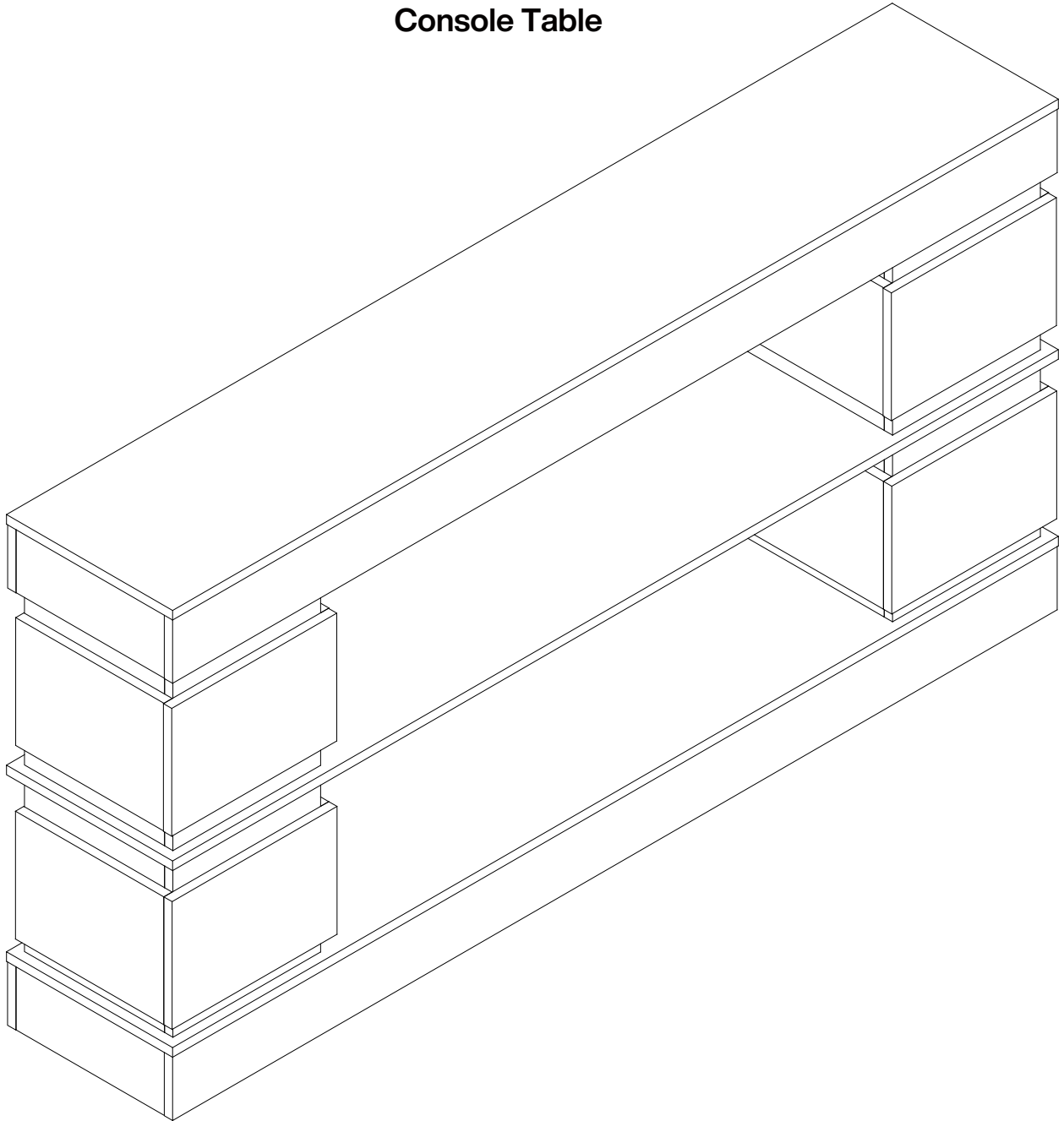


Assembly Instructions

Console Table



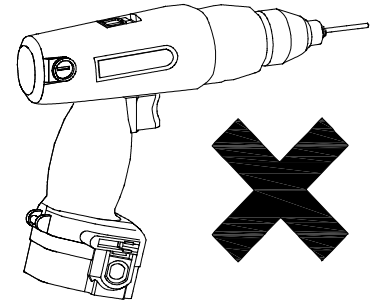
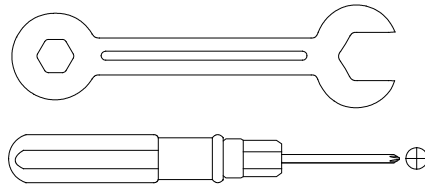
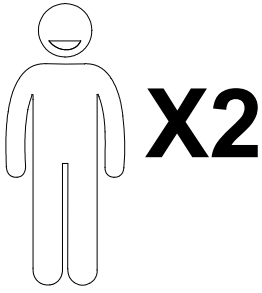
Contact Us

We're here to help you.

Your satisfaction is our top priority. If you encounter any issues with this product, such as missing or damaged parts, we're here to help. Please retain the original packaging and take photos of the packaging and the product, then contact us as soon as possible.

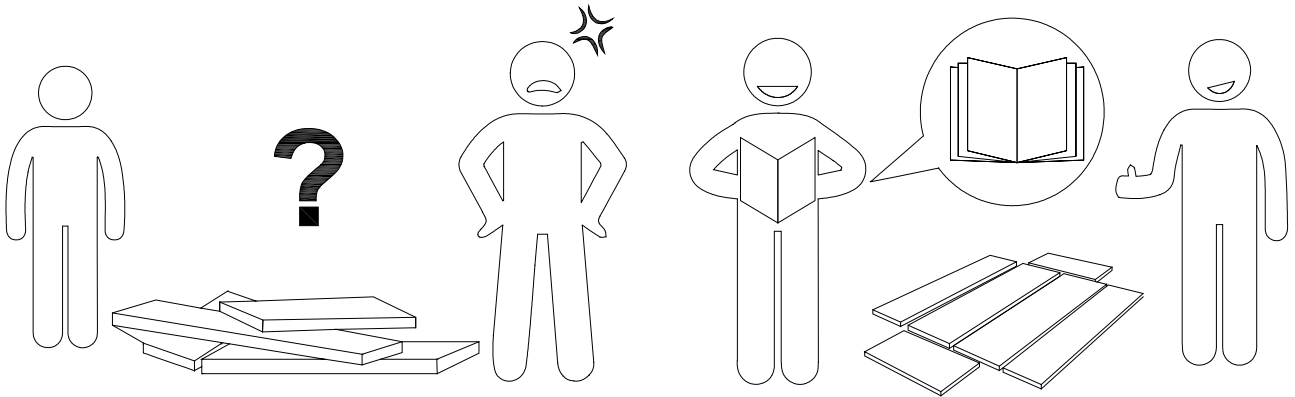
Warm Tips

1. Carefully read these instructions and keep them for future reference.
2. Check the parts list and confirm everything's there before starting assembly.
3. When assembling, put all parts on a soft, smooth surface like a carpet to avoid scratches.
4. Don't fully tighten screws until all parts are confirmed in place to avoid misalignment.



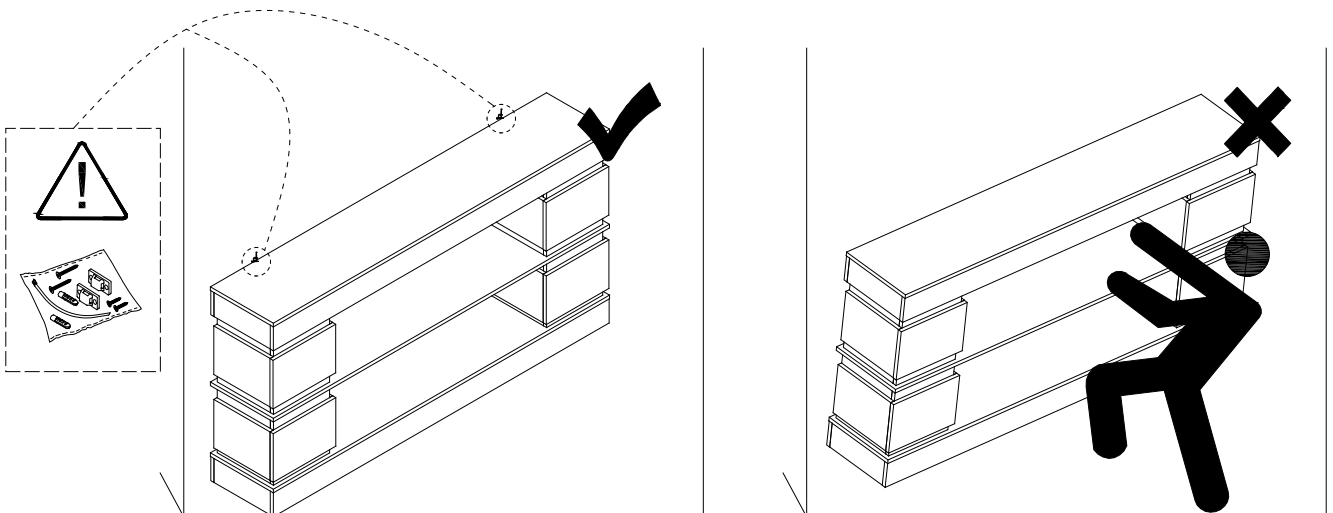
We recommend using hand tools for assembly.

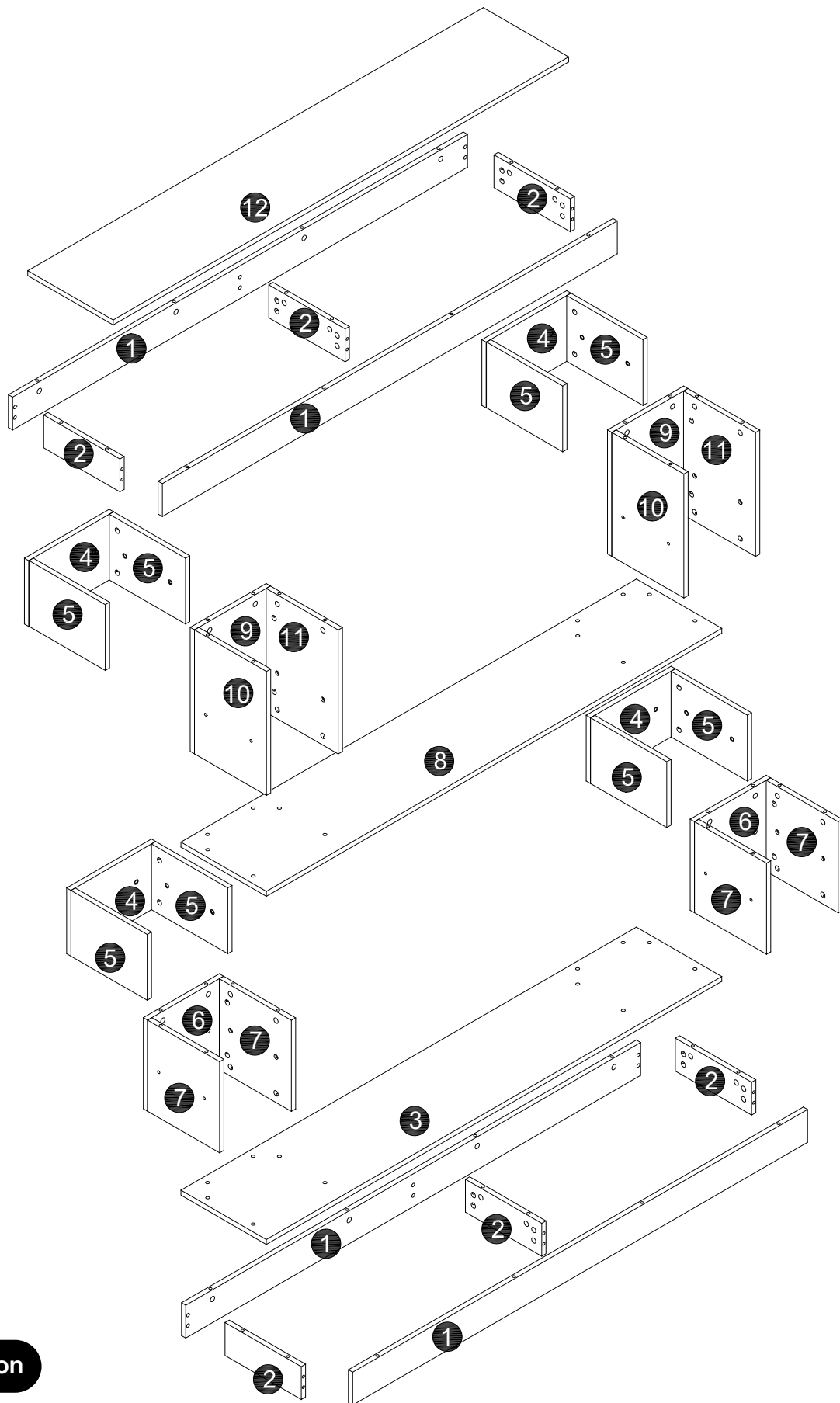
If an electric screwdriver is used, reduce power and torque to avoid damage to the product.



Install the Anti-Tip Straps

Using the anti-tip straps can reduce the risk of tipping over, but can not eliminate it.

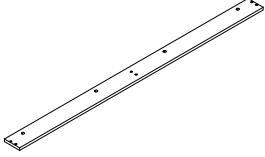
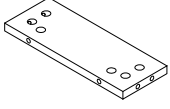
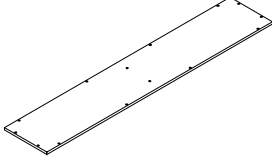
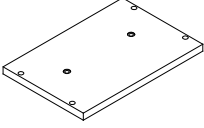
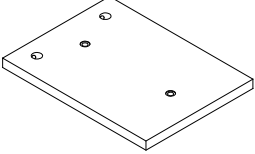
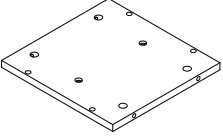
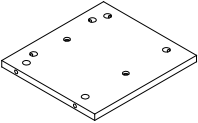
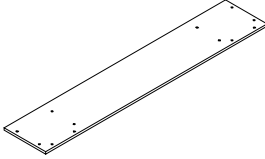
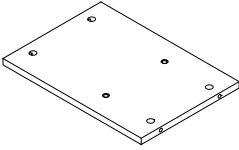
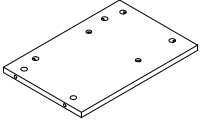
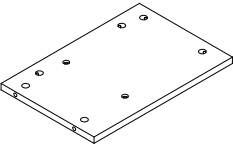
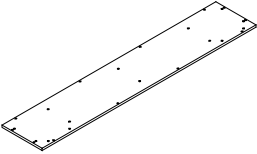




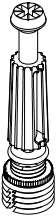
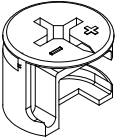

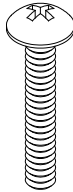
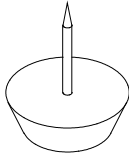
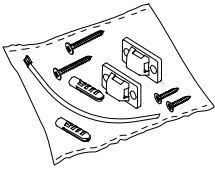
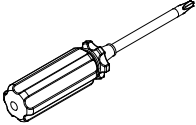
⚠ Caution

Make sure all parts are included. Most board parts are labeled or stamped on the raw edge. Contact us for a free replacement if you encounter any damaged or missing parts.

Parts List

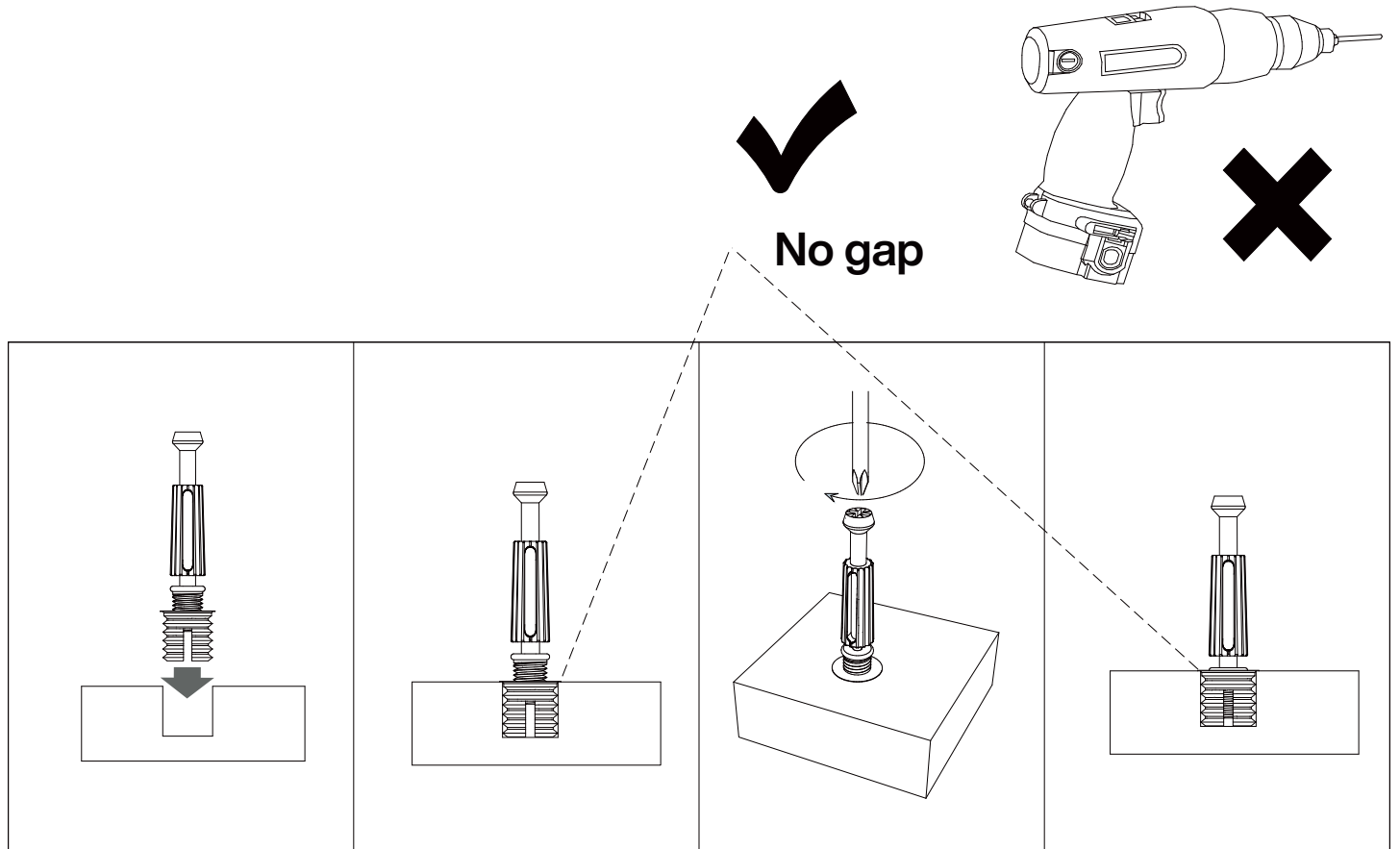
<p>①</p>  <p>4 pcs</p>	<p>②</p>  <p>6 pcs</p>	<p>③</p>  <p>1 pc</p>	<p>④</p>  <p>4 pc</p>	<p>⑤</p>  <p>8 pcs</p>
<p>⑥</p>  <p>2 pcs</p>	<p>⑦</p>  <p>4 pcs</p>	<p>⑧</p>  <p>1 pc</p>	<p>⑨</p>  <p>2 pcs</p>	<p>⑩</p>  <p>2 pcs</p>
<p>⑪</p>  <p>2 pcs</p>	<p>⑫</p>  <p>1 pc</p>			

Hardware List

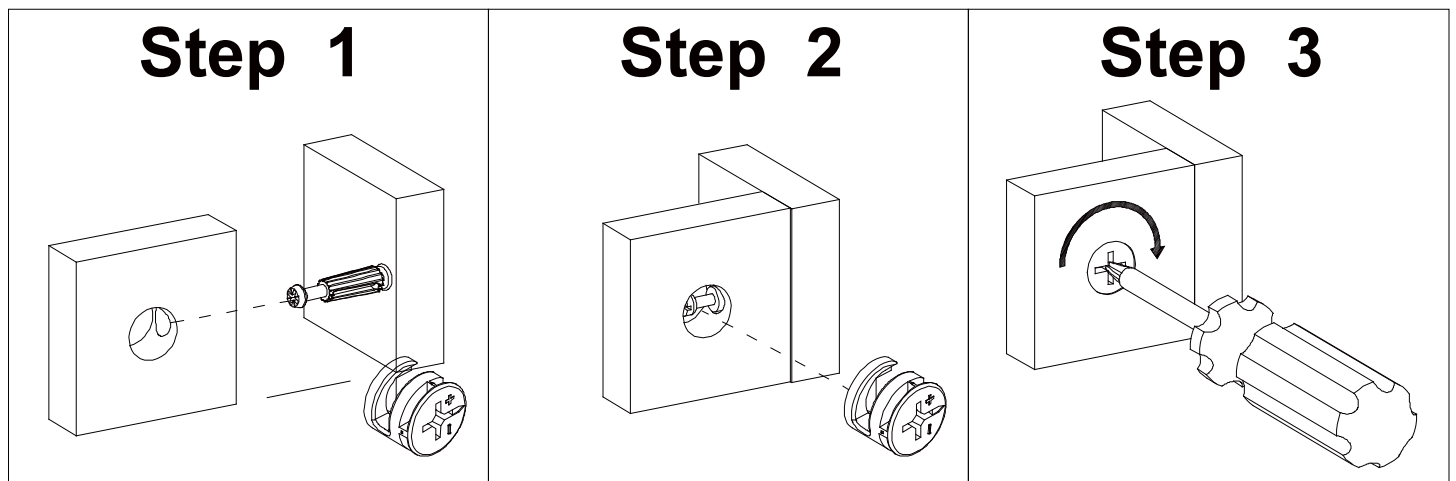
A	B	C	D	E	F
 <p>M6X35MM</p>	 <p>Ø15x12mm</p>	 <p>M6X35MM</p>	 <p>M6X20MM</p>		
108 pcs	132 pcs	24 pcs	24 pcs	8 pcs	2 pcs
G					
 <p>Screwdriver</p>					
1 pc					

Installation of Cams and Pins

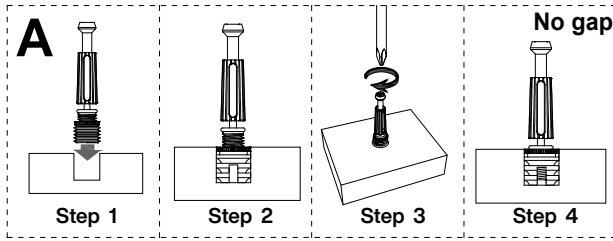
Read each step carefully before starting. Each step of instruction should be performed in the correct order. If these steps are not followed in sequence, assembly difficulties may occur.



Screw the pin into the hole. Set the cams correctly by aligning the head of the cams with the lock pins. Lock the cam by turning the cam head with a screwdriver until it is tightened. Please do not use an electric screwdriver to assemble the unit.

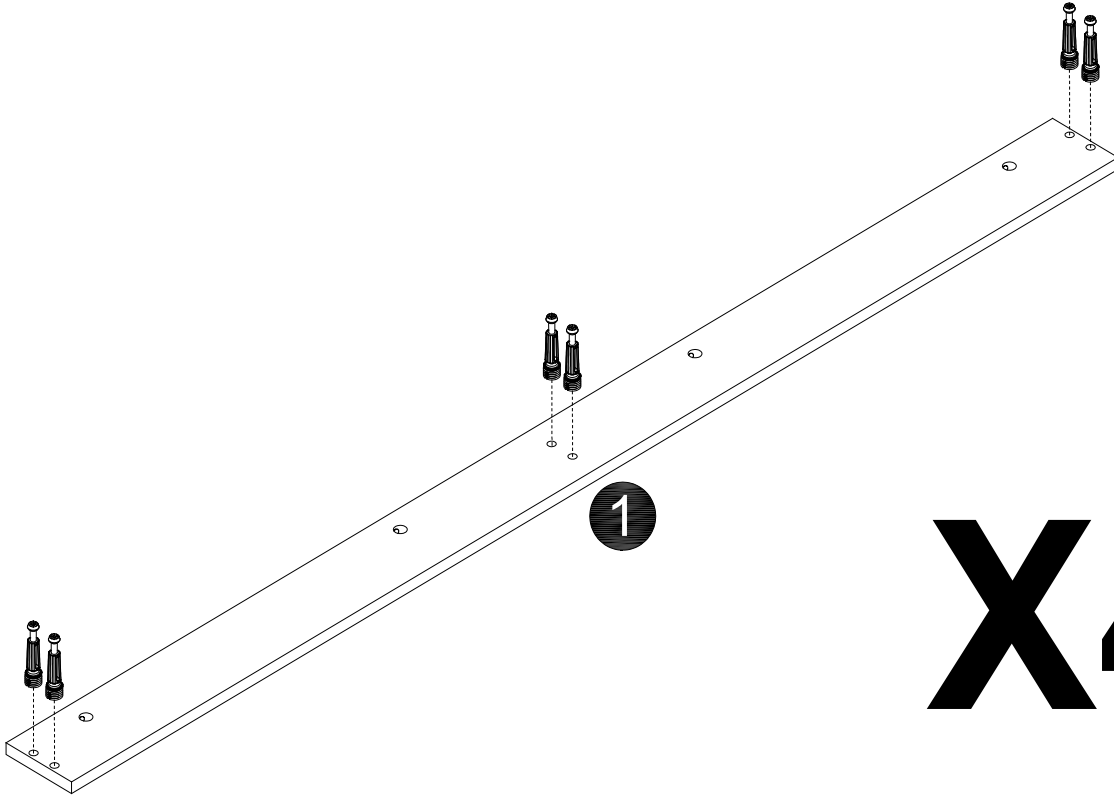


1



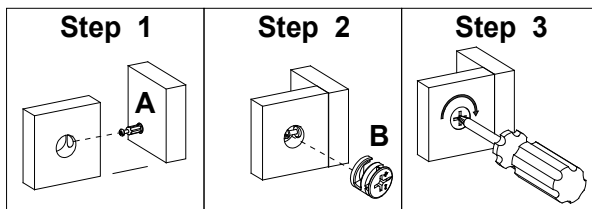
A


M6x35mm
24 pcs

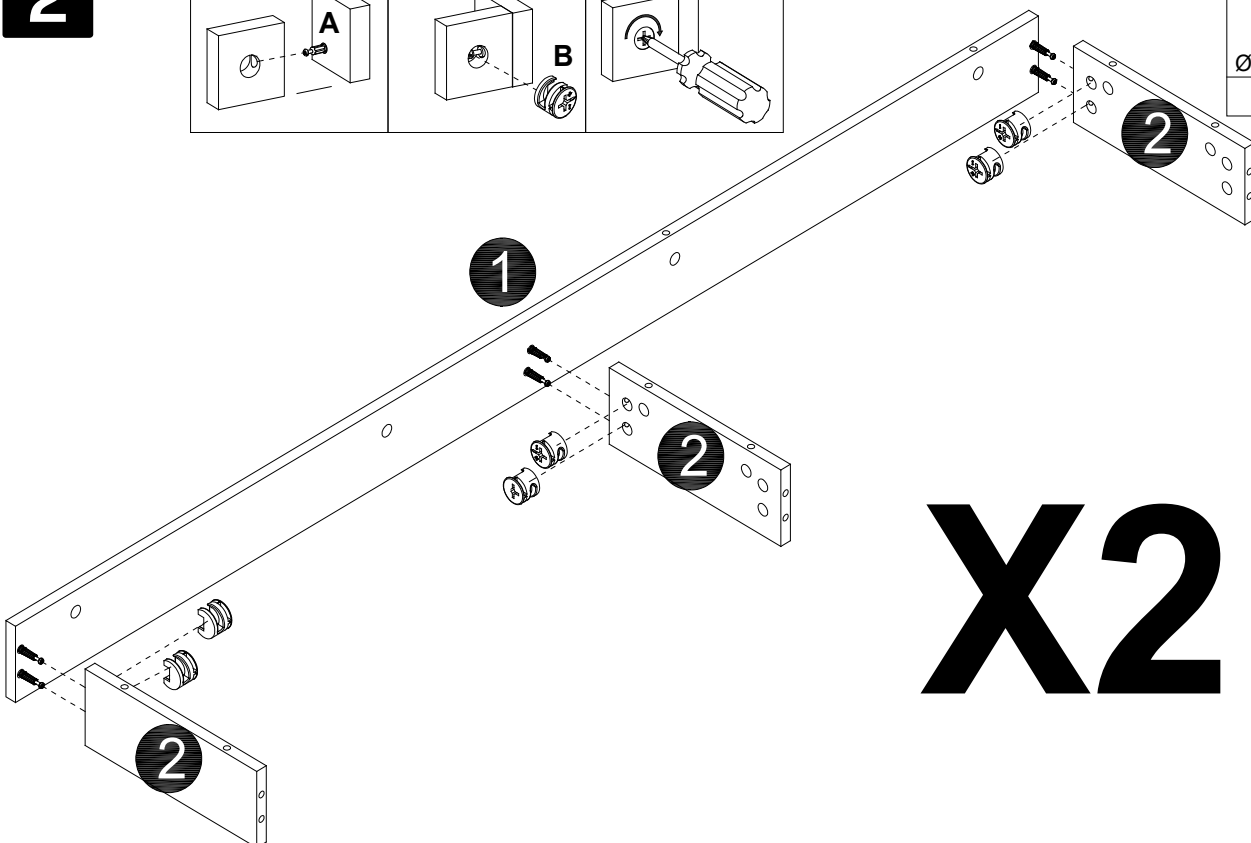


X4

2

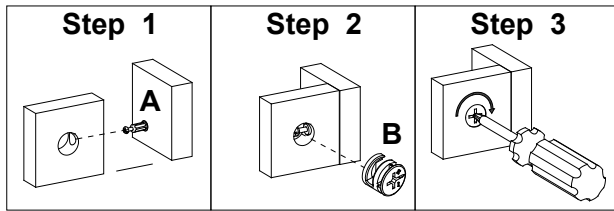



B

Ø15x12mm
12 pcs

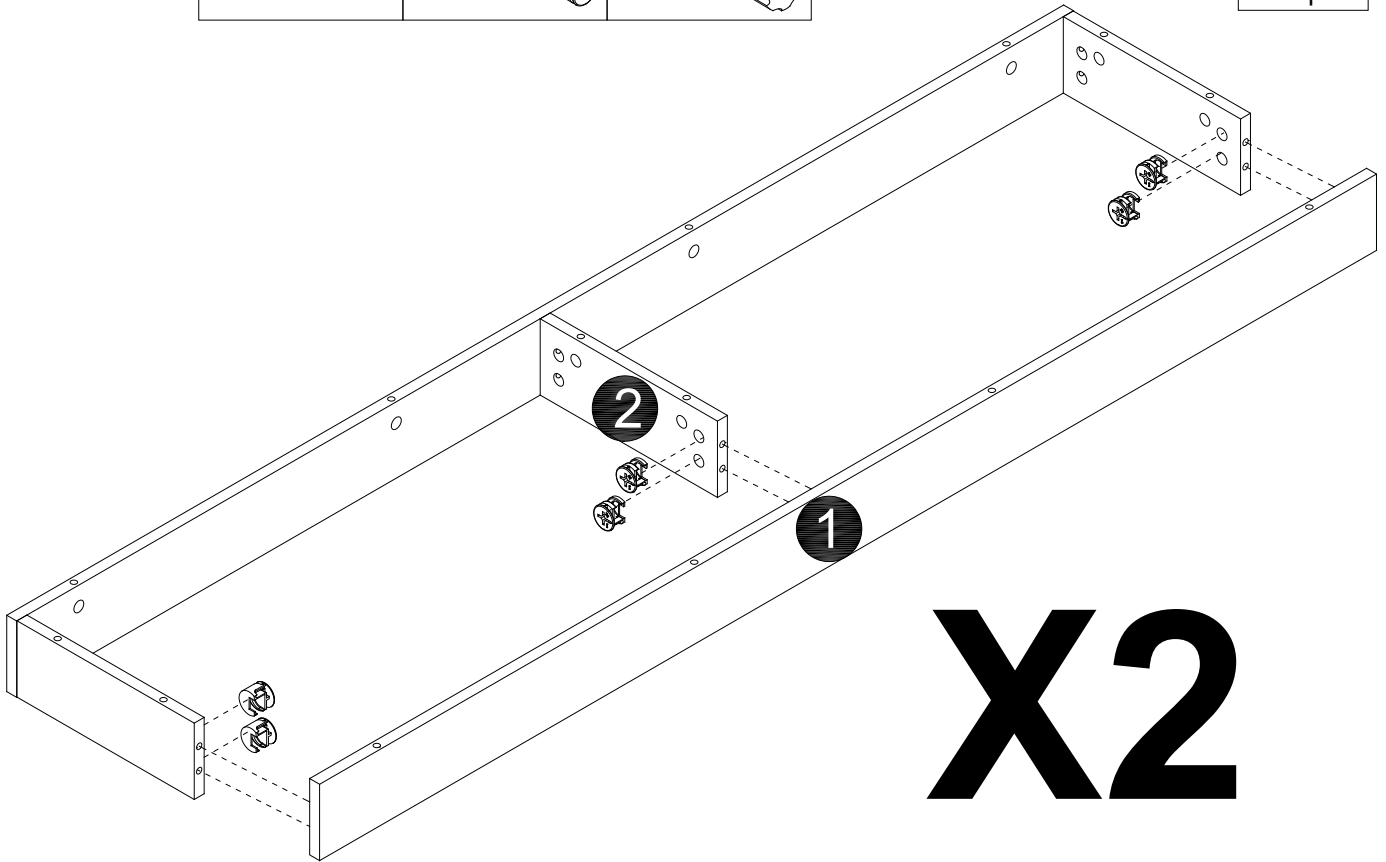


X2

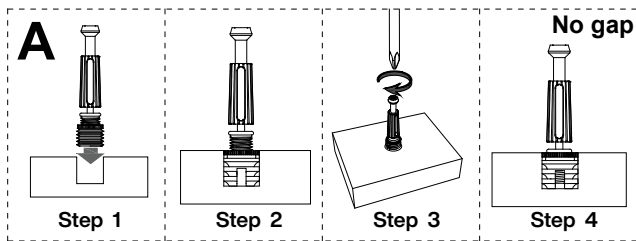
3




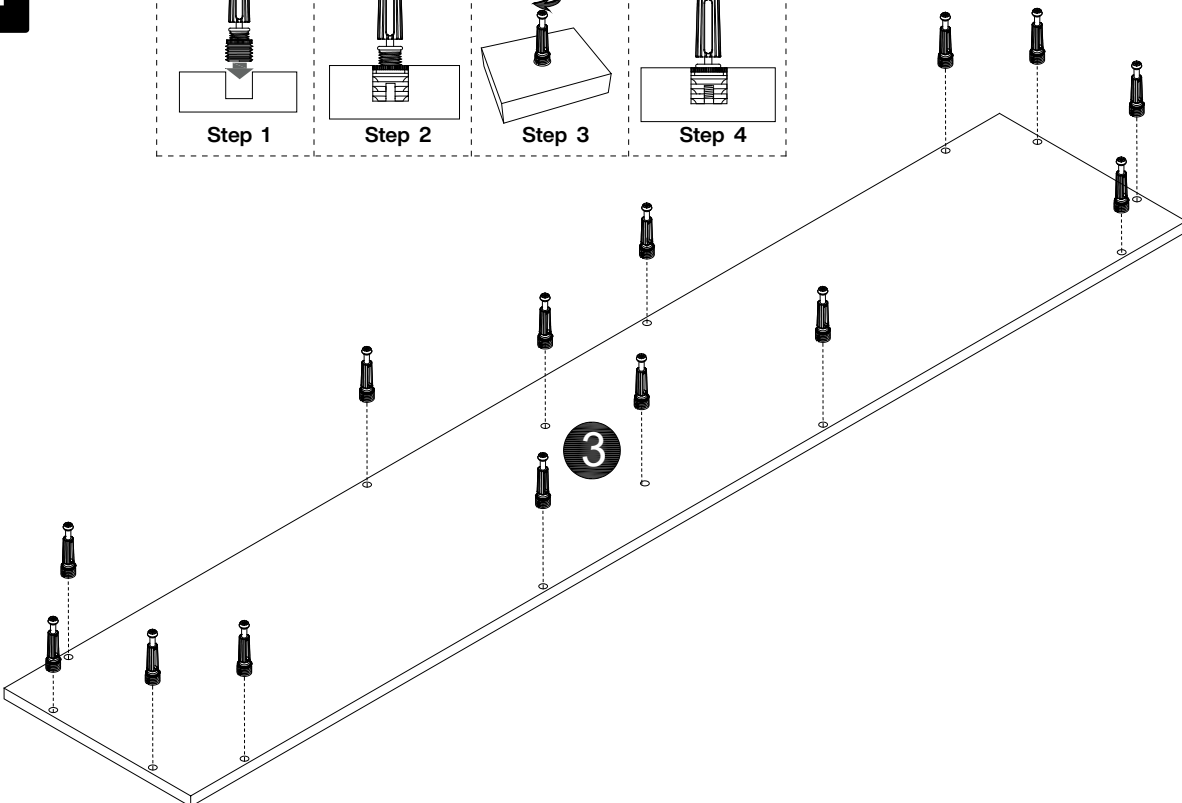
B

Ø15x12mm
12 pcs



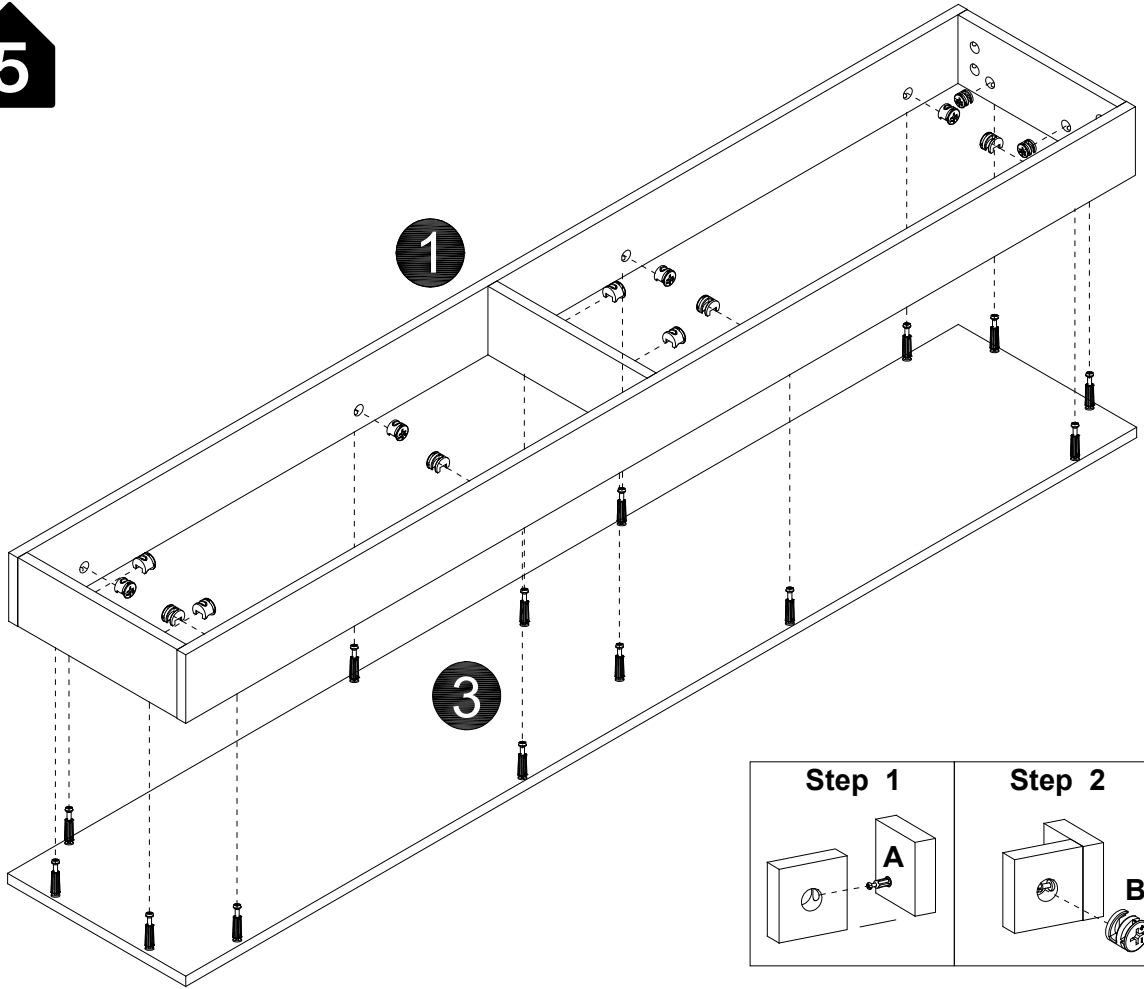
4




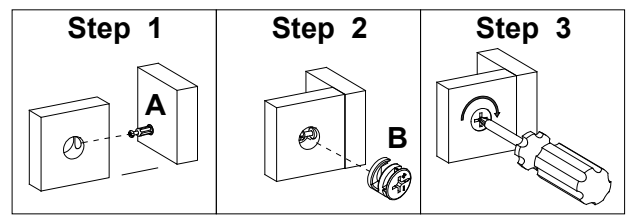
A

M6x35mm
14 pcs



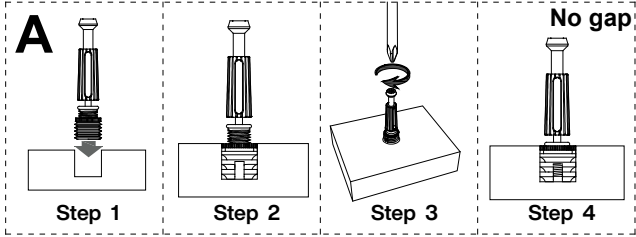
5


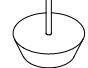


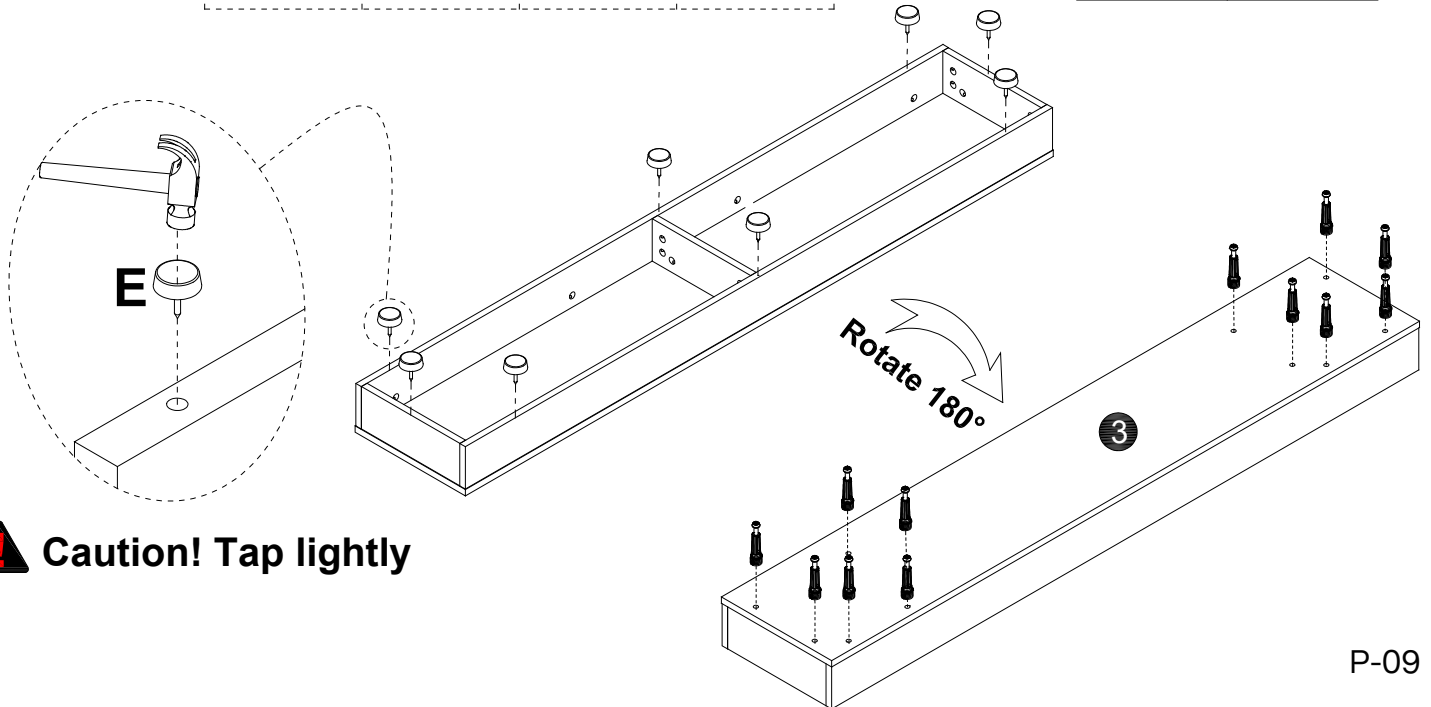
B

Ø15x12mm
14 pcs



6

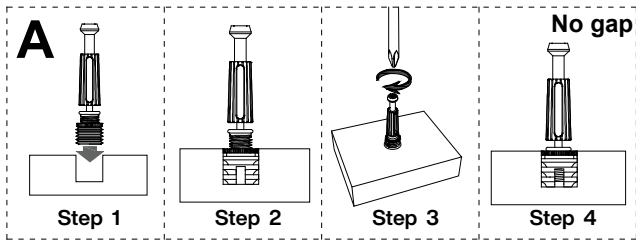



A	E
	
M6x35mm	
12 pcs	8 pcs

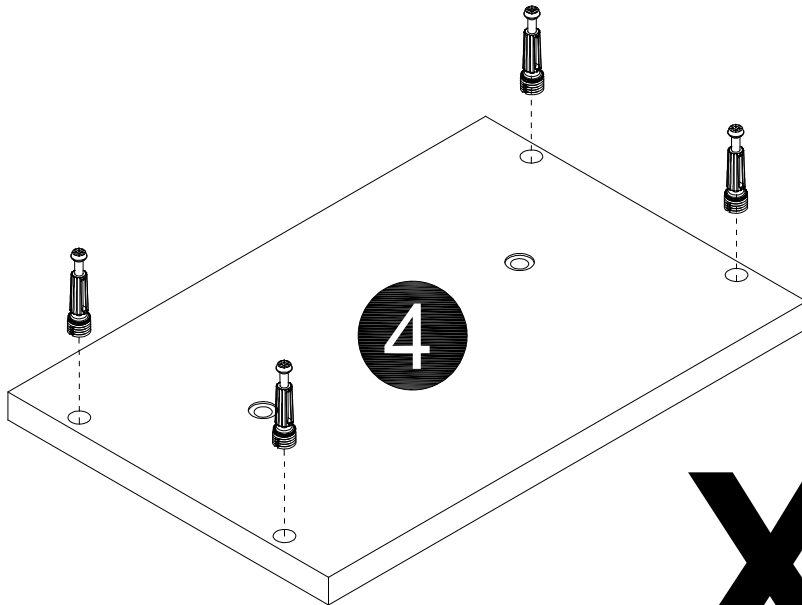


Caution! Tap lightly

7

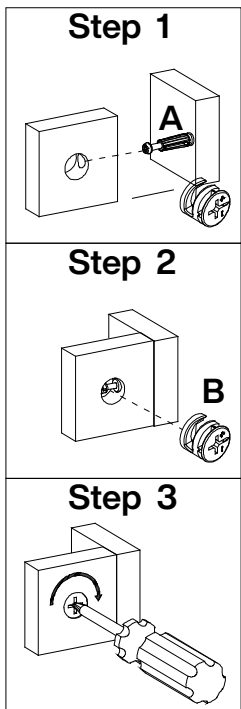



A

M6x35mm
16 pcs

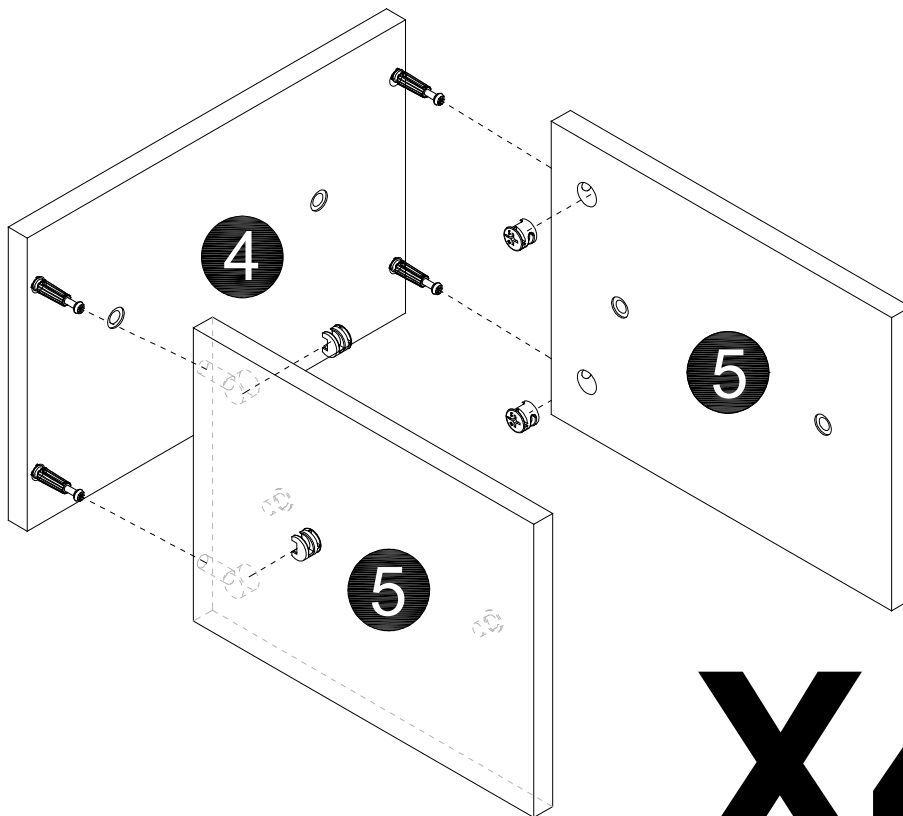


X4

8

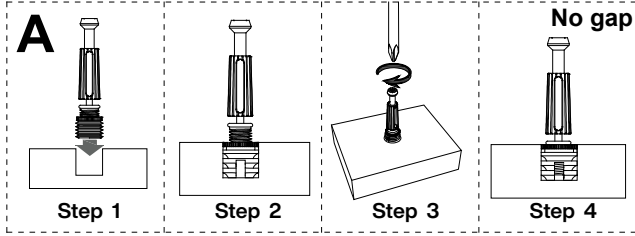



B

Ø15x12mm
16 pcs

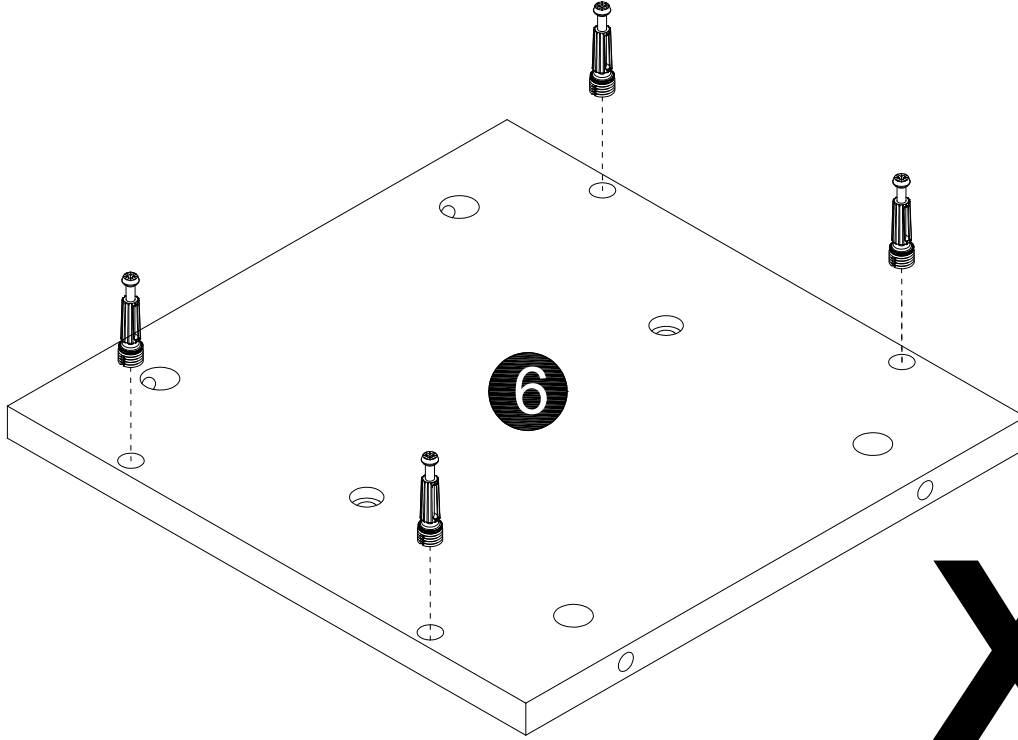


X4

9

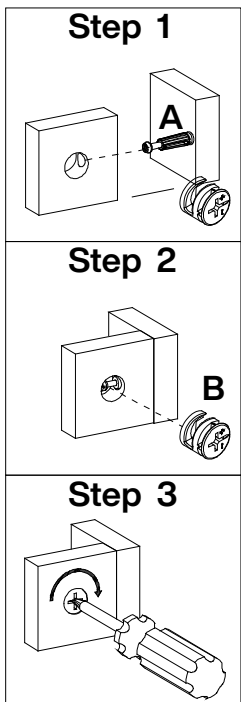



A

M6x35mm
8 pcs

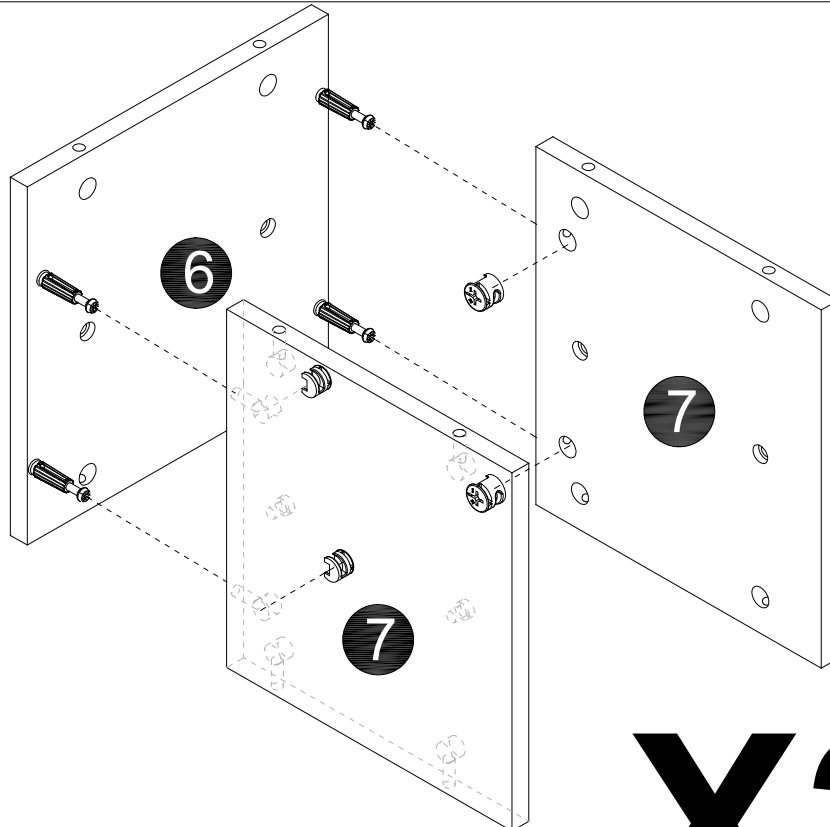


X2

10

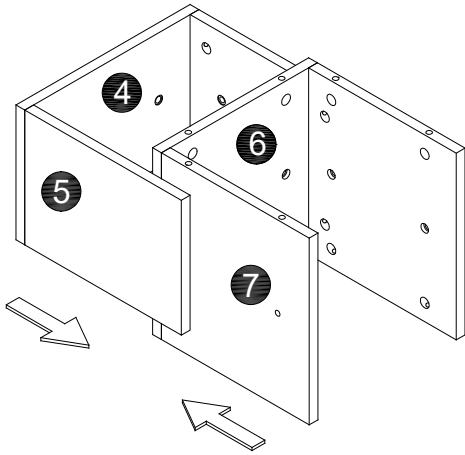



B

Ø15x12mm
8 pcs



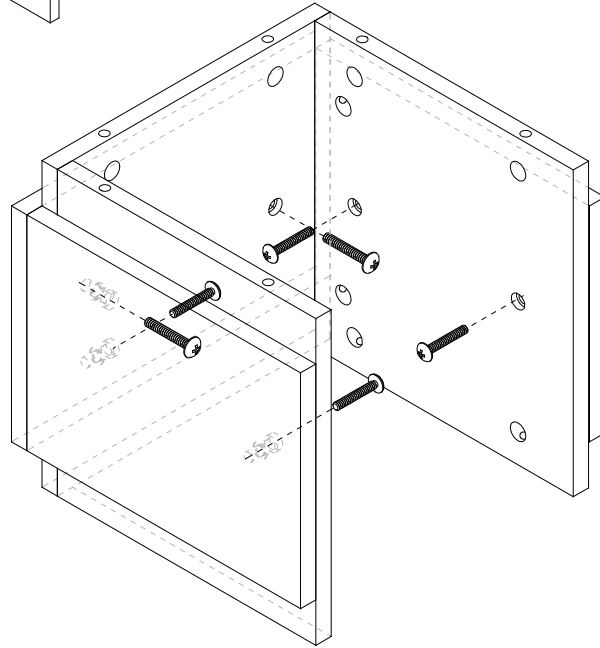
X2

11



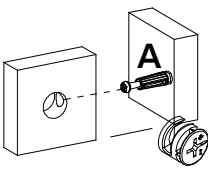
D

M6x20mm
12 pcs

X2

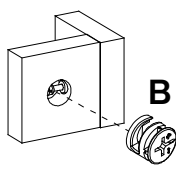


12

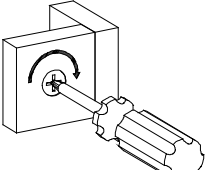
Step 1




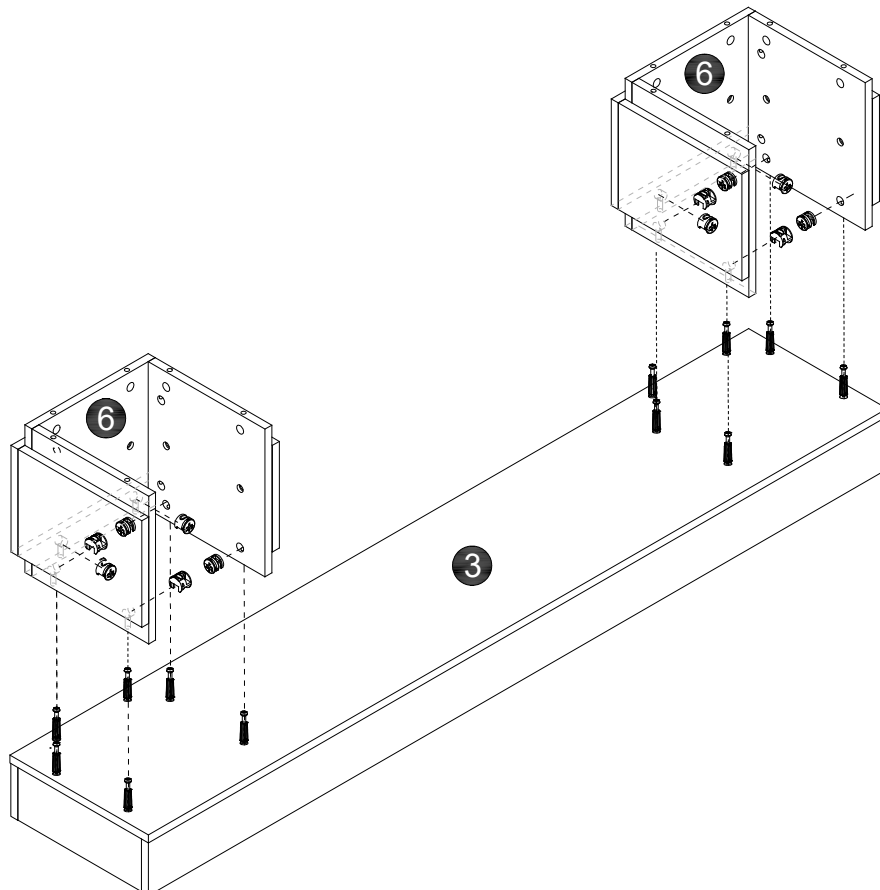
Step 2



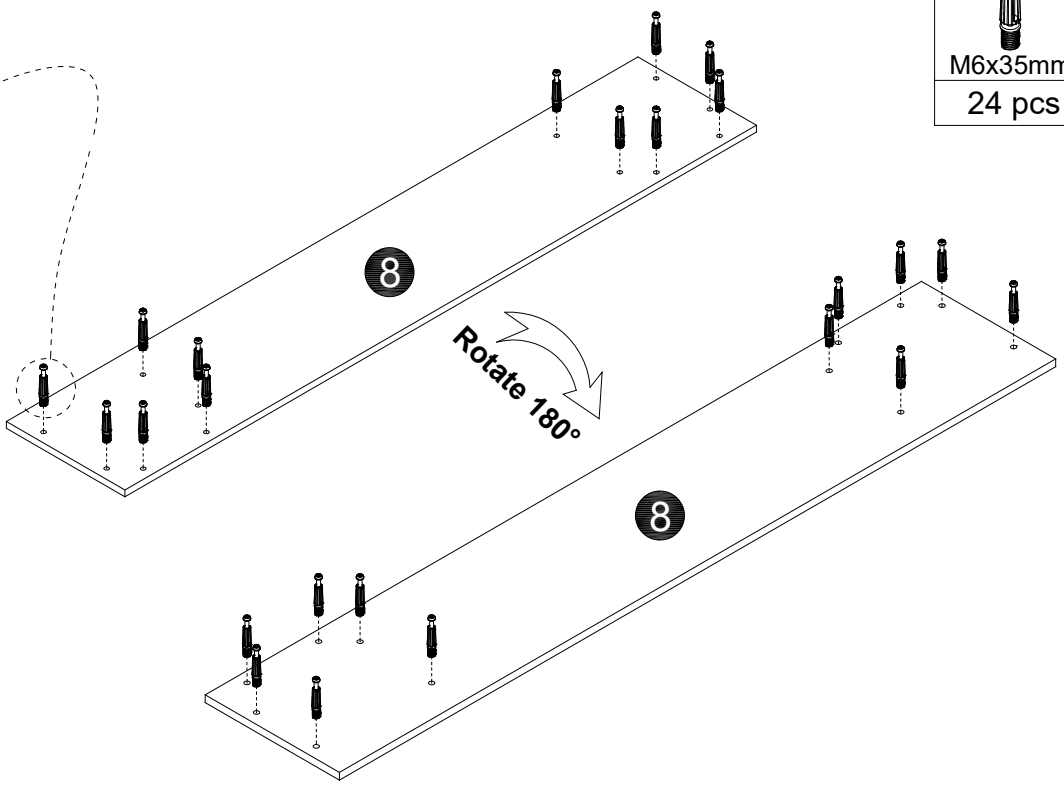
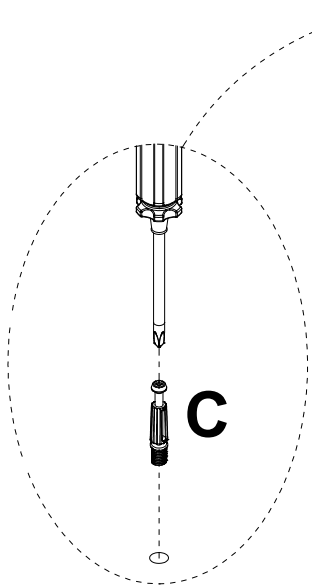
Step 3




B

Ø15x12mm
12 pcs

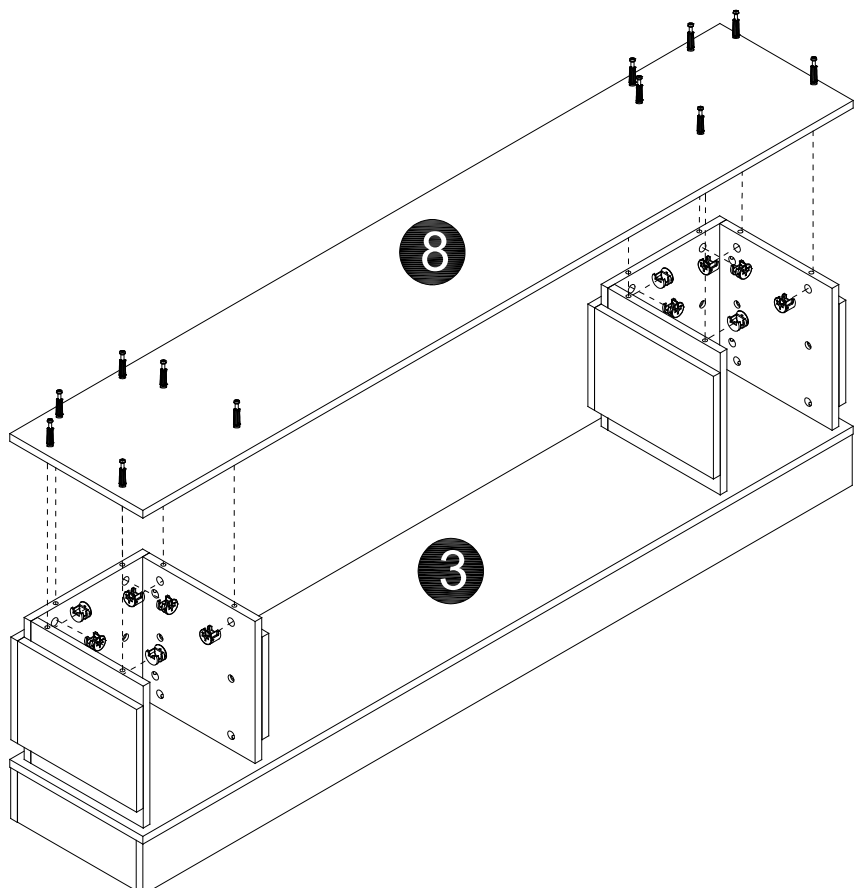
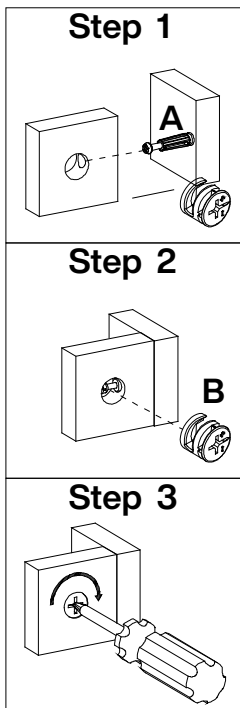



13



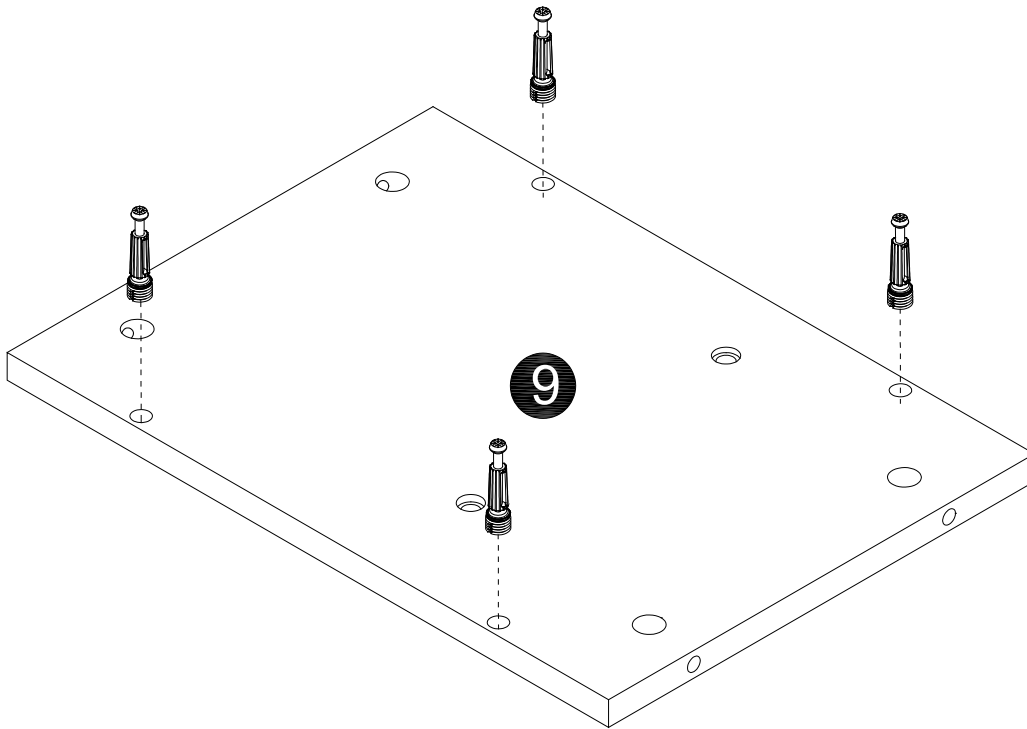
C

M6x35mm
24 pcs


14



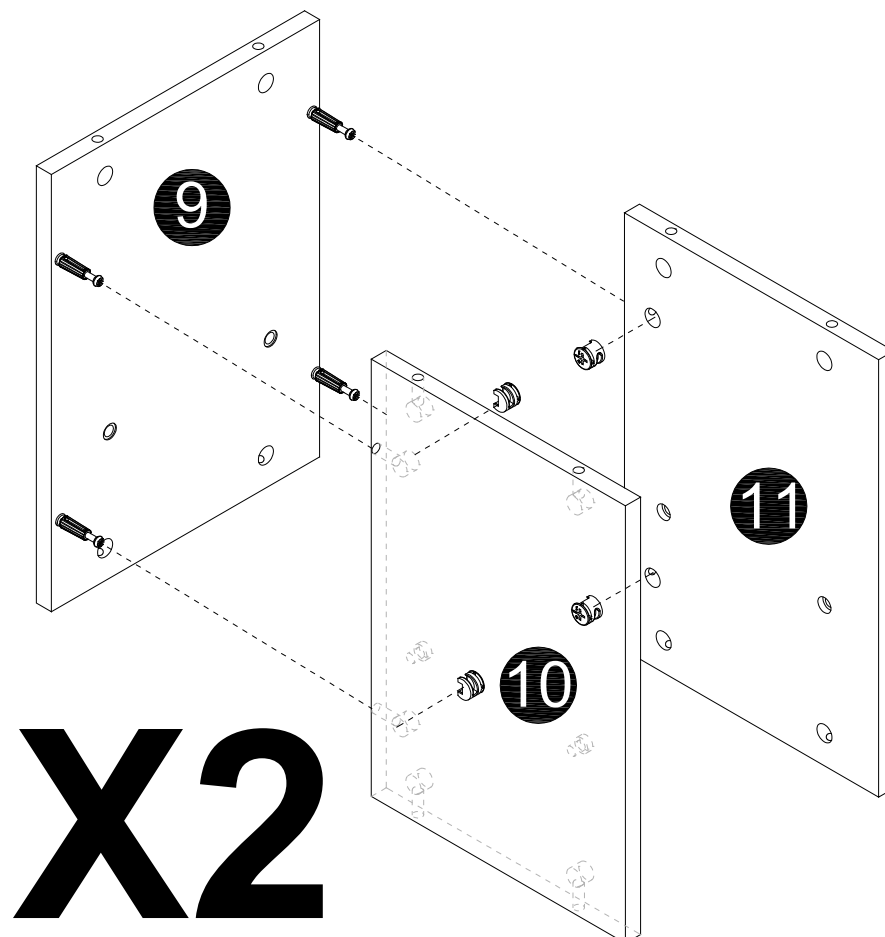
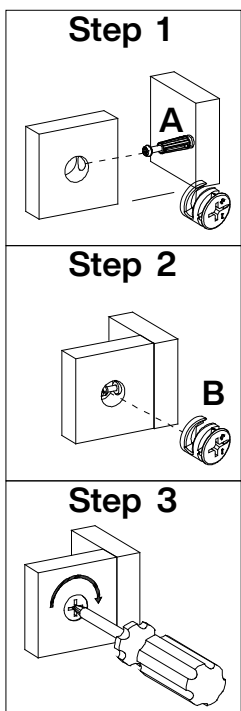
B

Ø15x12mm
12 pcs


15



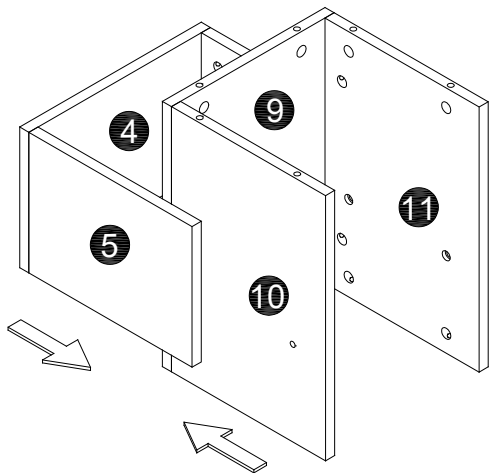
A

M6x35mm
8 pcs


16



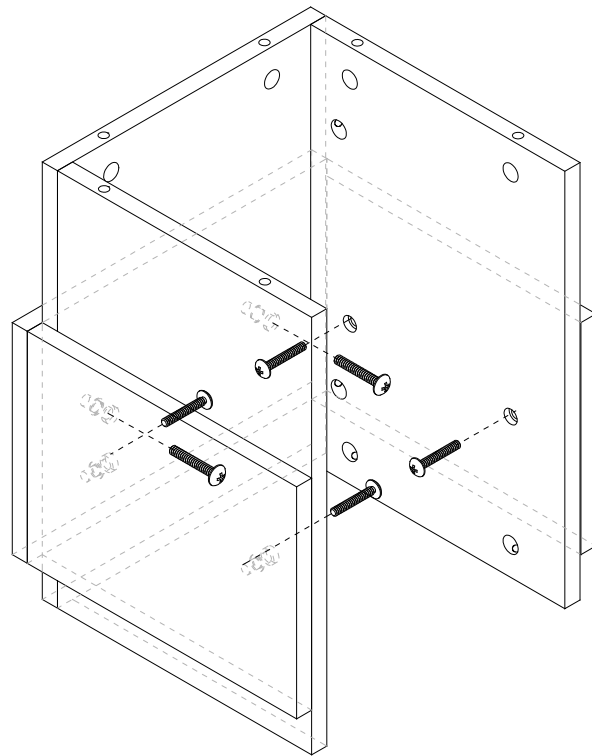
B

Ø15x12mm
8 pcs

17



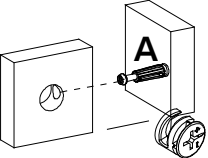
D

M6x20mm
12 pcs

X2

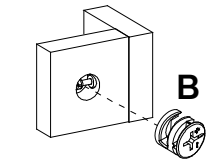


18

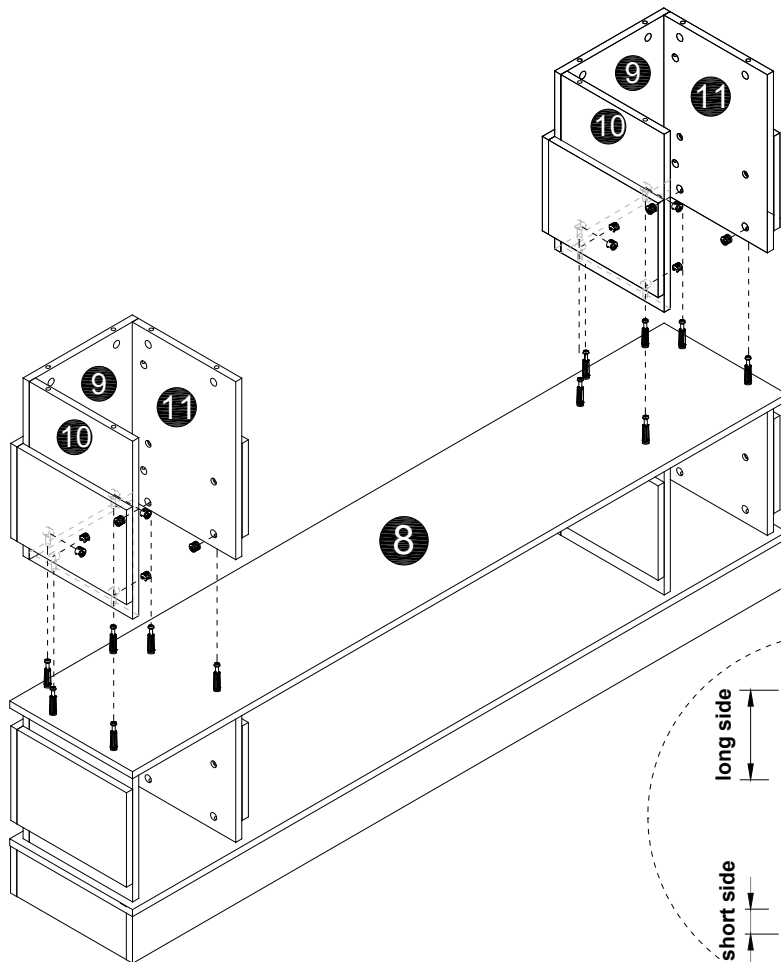
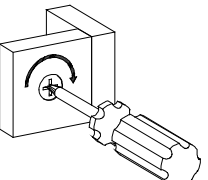
Step 1




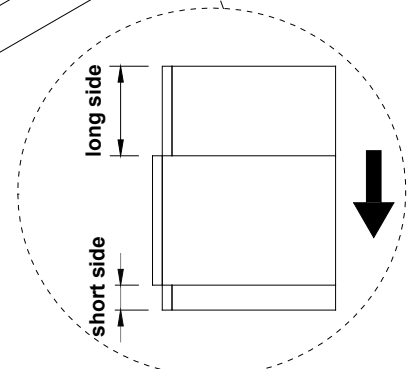
Step 2



Step 3

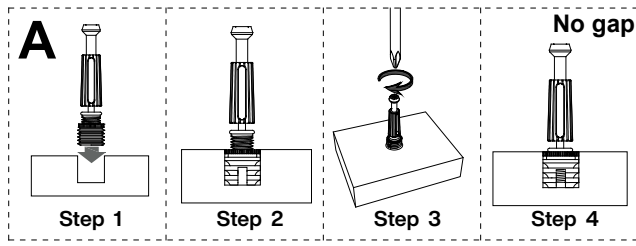


B

Ø15x12mm
12 pcs



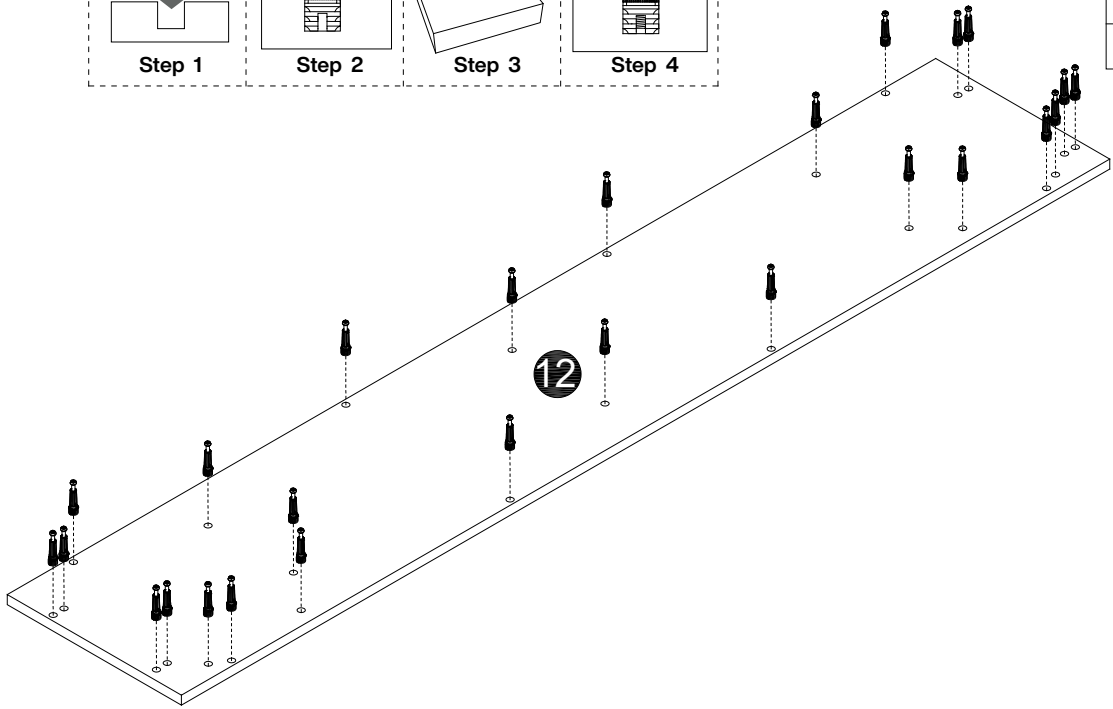
Pay attention to the installation direction

19

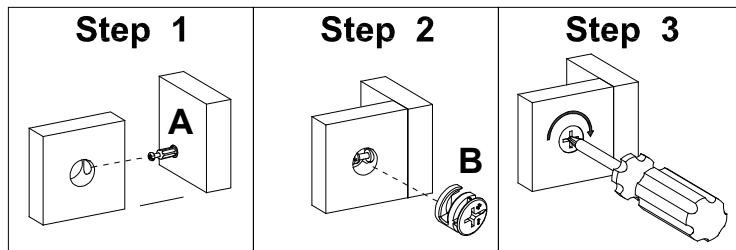


A

M6x35mm
26 pcs

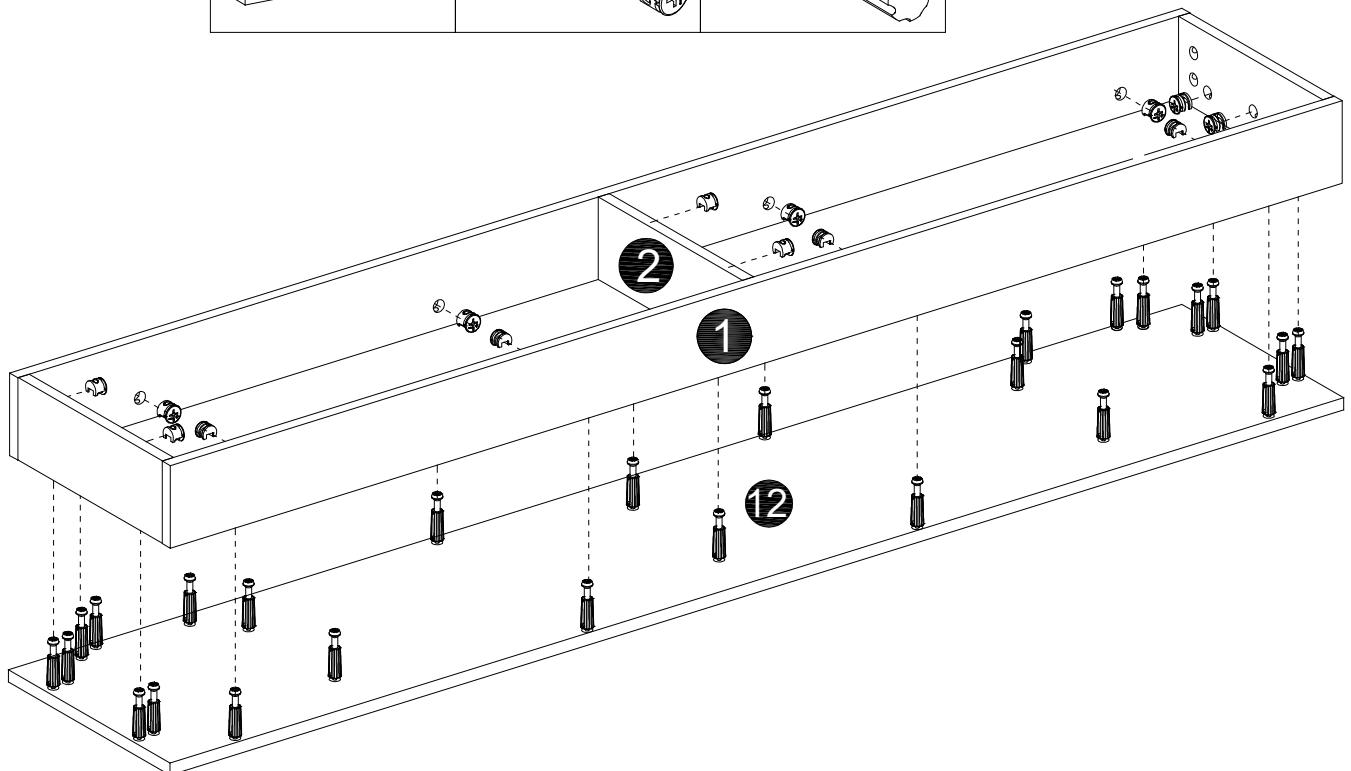


20




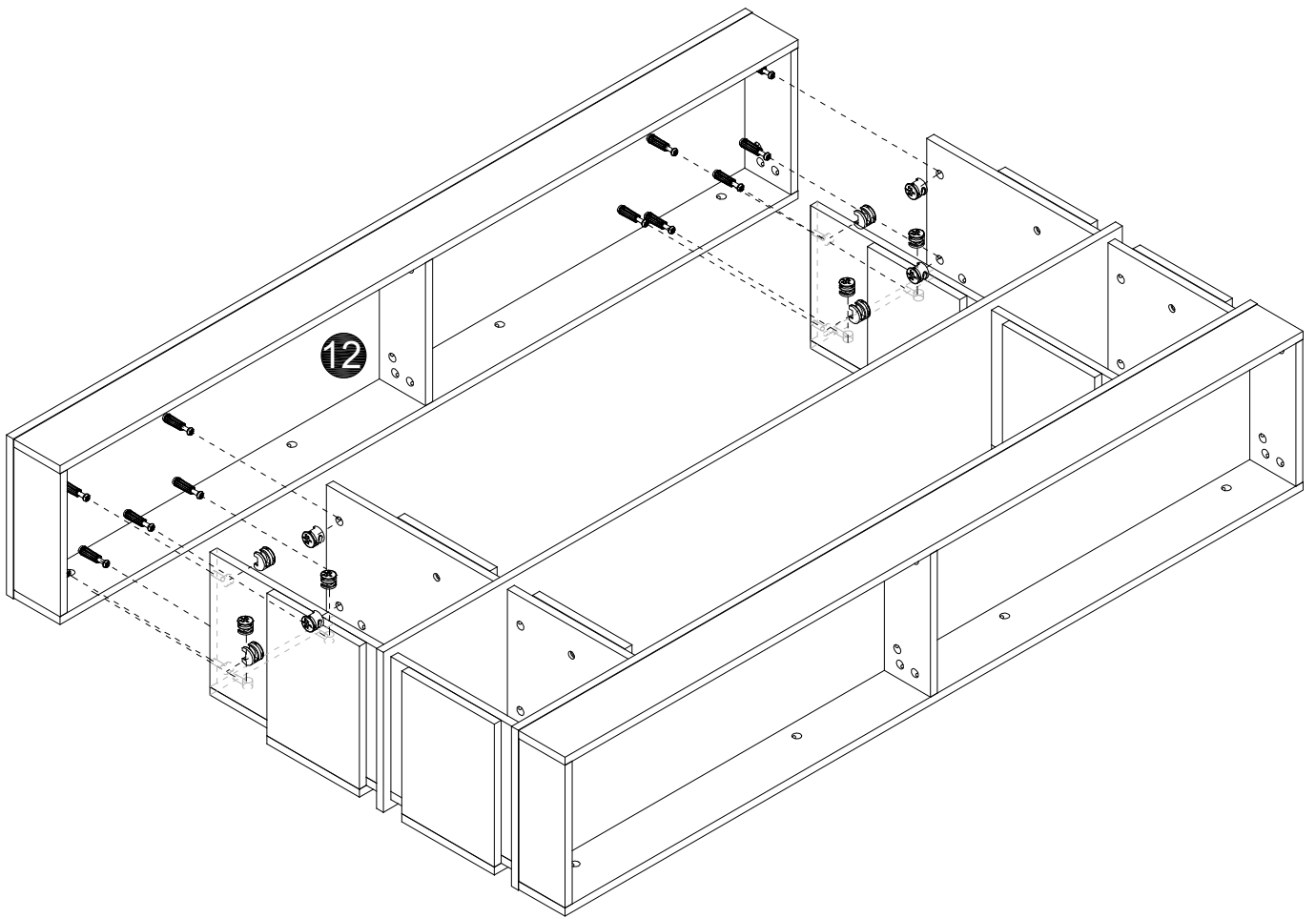
B

Ø15x12mm
14 pcs

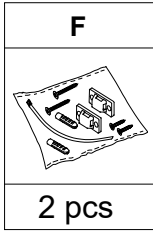


21

B

Ø15x12mm 12 pcs

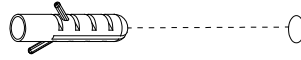


22

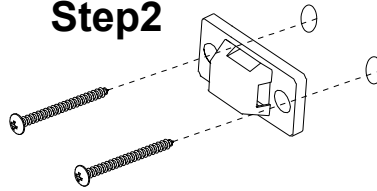


Wall

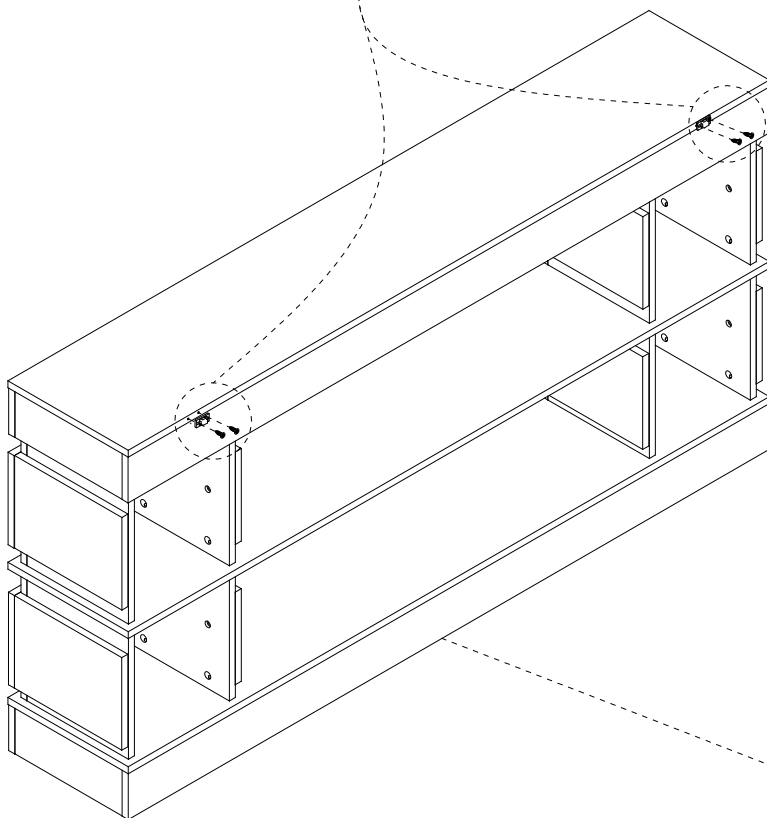
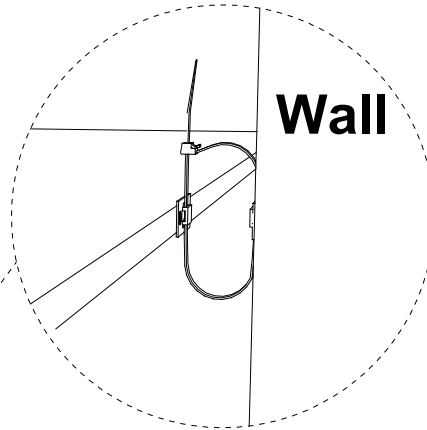
Step1



Step2



Step3



Thank you for your support!

