



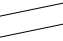








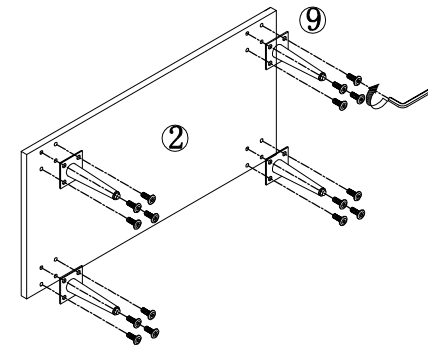
# Assembly Instruction

EDITION: A

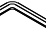
## HARDWARE LIST:

PACKAGE	NO.	DESCRIPTION	PART PHOTO	QTY	PACKAGE	NO.	DESCRIPTION	PART PHOTO	QTY
1/1	A	ALLEN KEY ( $\phi 4$ )		1PC					
	B	SCREW (M6*16)		16PCS					
	C	UPTHRUST ROLLER ( $\phi 15 \times 11.5$ )		20PCS					
	D	JOIN ( $\phi 7 \times 32$ )		20PCS					
	E	WOOD PLUG ( $\phi 8 \times 40$ )		8PCS					
	F	JOIN ( $\phi 6 \times 16$ )		4PCS					
	G	DOOR STOP (30*17*18)		1PCS					
	H	SCREW (M4*16)		26PCS					
	I	HINGE ( $\phi 35$ )		4PCS					
	J	HANDLE ( $\phi 30 \times 41$ )		2PCS					
	K	SCREW (M4*20)		2PCS					

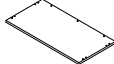






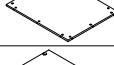
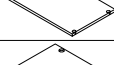
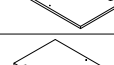
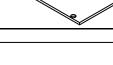
## STEP 1



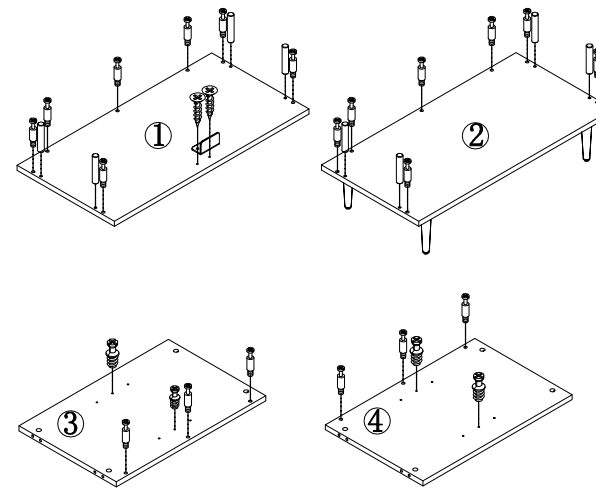
(M6\*16  16PCS)

( $\phi 4$   1PC)

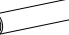
## PART LIST:

PACKAGE	NO.	DESCRIPTION	PART PHOTO	QTY	PACKAGE	NO.	DESCRIPTION	PART PHOTO	QTY
1/1	1	TOP BOARD		1PC					
	2	BOTTOM BOARD		1PC	1/1	9	LEGS		4PCS
	3	LEFT BOARD		1PC		10	HARDWARE		1PC
	4	RIGHT BOARD		1PC		11	TIPPING RESTRAINT		2PCS
	5	BACK BOARD		1PC					
	6	SHELF BOARD		1PC					
	7	LEFT DOOR		1PC					
	8	RIGHT DOOR		1PC					


## STEP 2



( $\phi 7 \times 32$   20PCS)


( $\phi 8 \times 40$   8PCS)

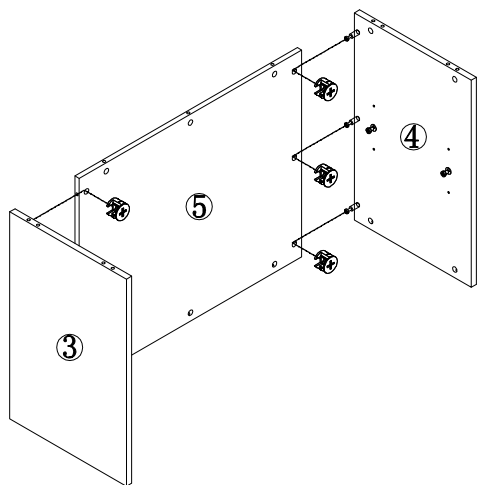
( $\phi 6 \times 16$   4PCS)

(30\*17\*18  1PCS)


(M4\*16  2PCS)

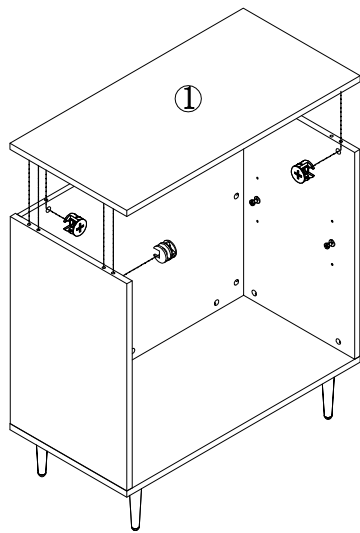
STEP 3

( $\phi 15 \times 11.5$ )  6PCS)




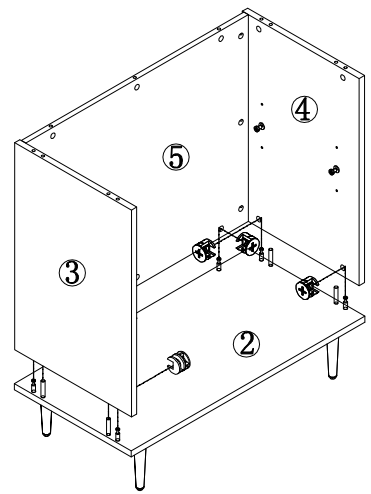
STEP 5

( $\phi 15 \times 11.5$ )  7PCS)





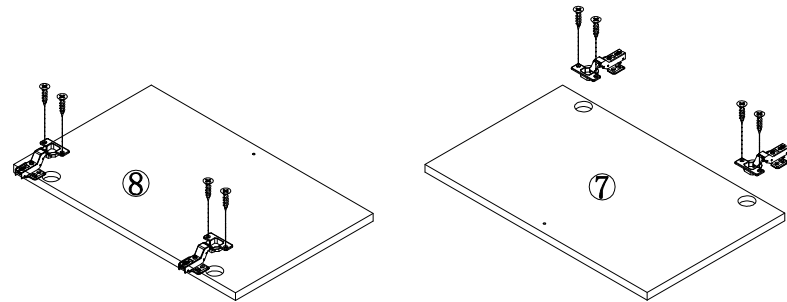
STEP 4

( $\phi 15 \times 11.5$ )  7PCS)



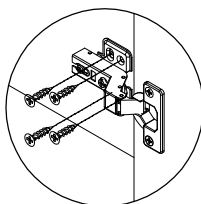
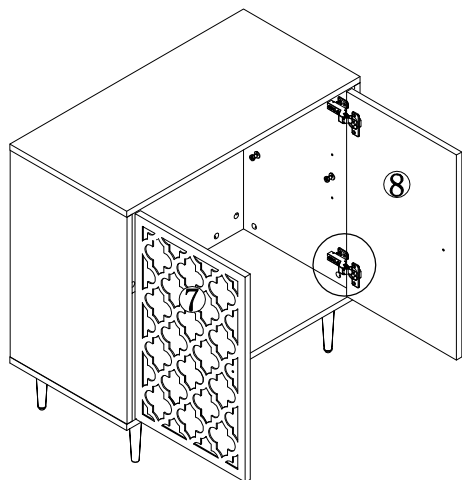
STEP 6

( $\phi 35$ )  4PCS)  
(M4\*16)  8PCS)



STEP 7

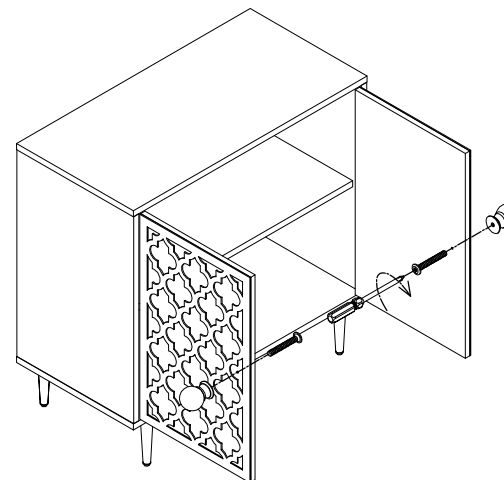
(M4\*16  16PCS)



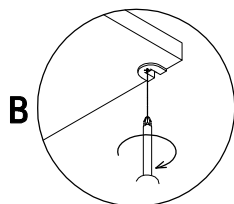
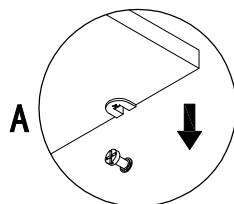
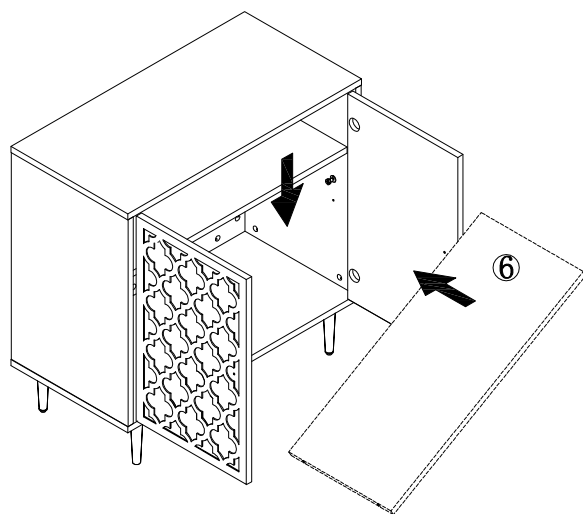
STEP 9

( $\phi 30*41$   2PCS)

(M4\*20  2PCS)



STEP 8



FINISH

