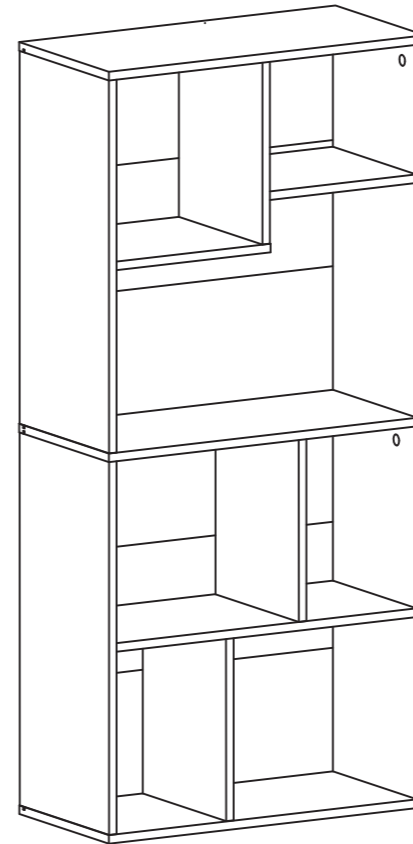
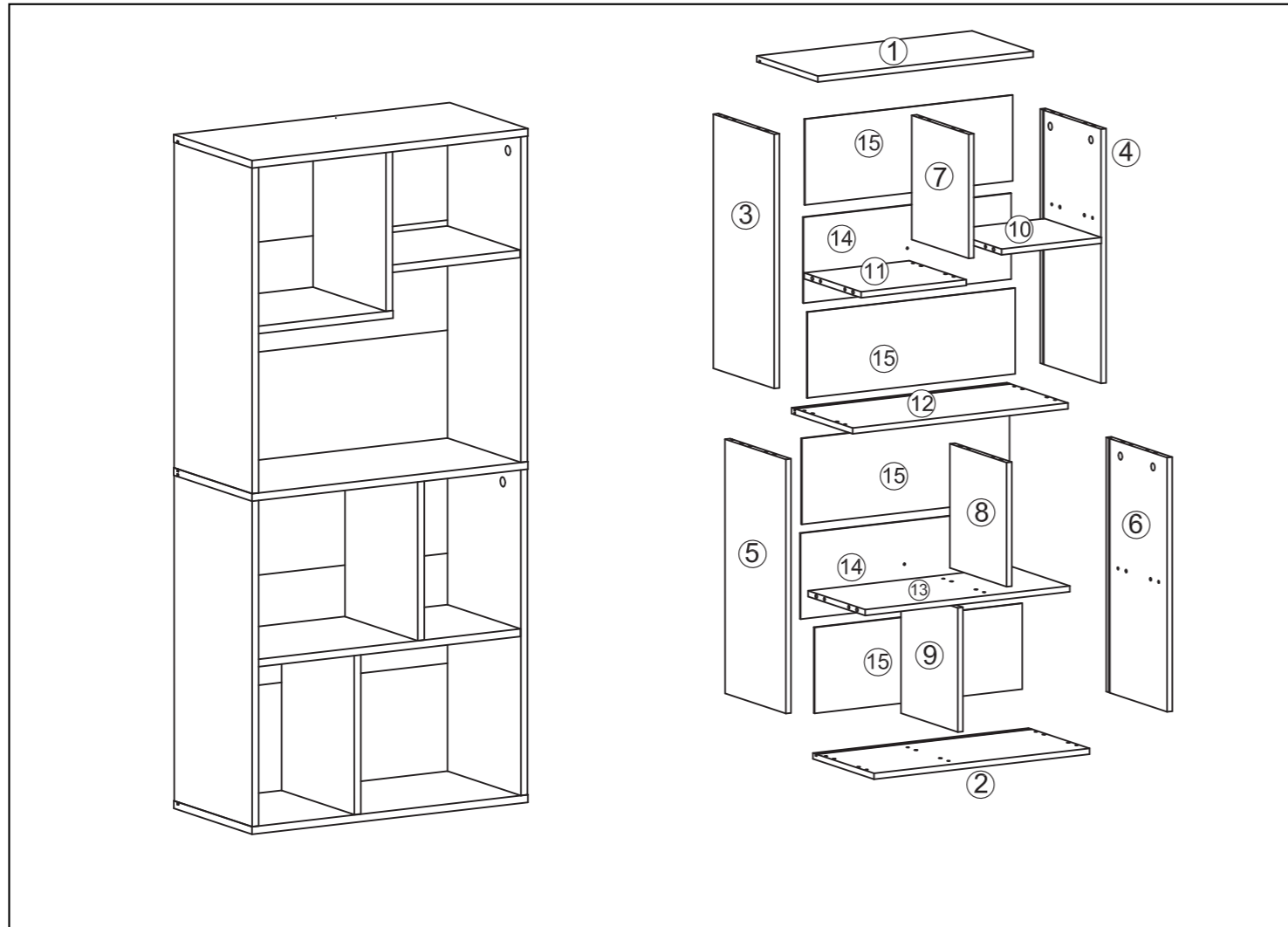


Bookcase

Dimension: 50*24*107.2cm



Item Description: Bookcase
Dimension: 50*24*107.2cm



Step 23

B **6**

Step 24

Step 25

D **6**
E **1**

Step 26

F **1**

Components			
1		1	6
2		1	7
3		1	8
4		1	9
5		1	10
11		1	12
13		1	14
15		4	

Screws&Tools	
A	24
B	24
C	38
D	14
E	2
F	1

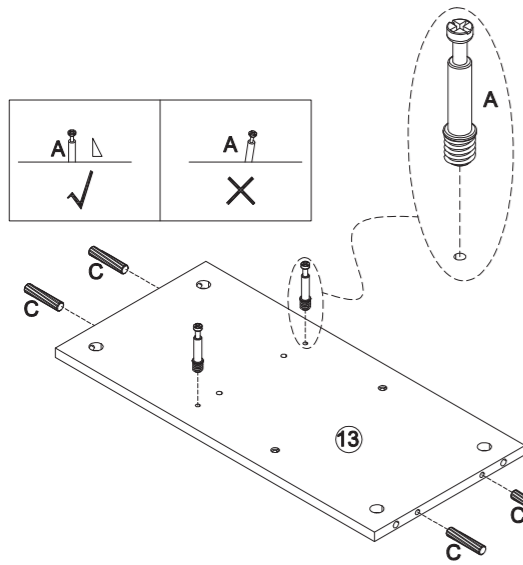
Step 27

F **1**

WALL

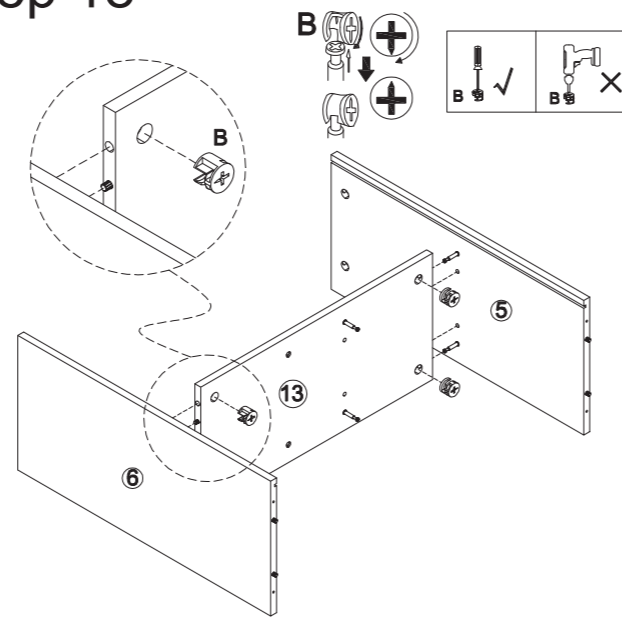
Step 17

A		2
C		4



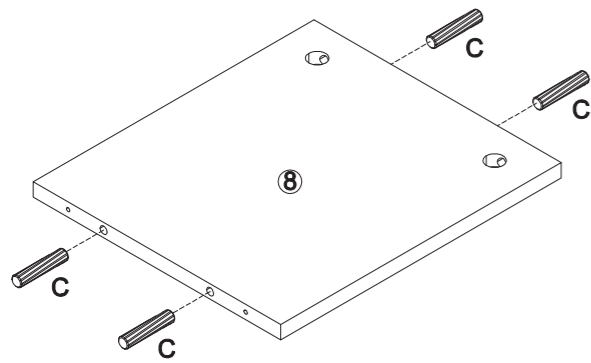
Step 18

B		4
---	--	---



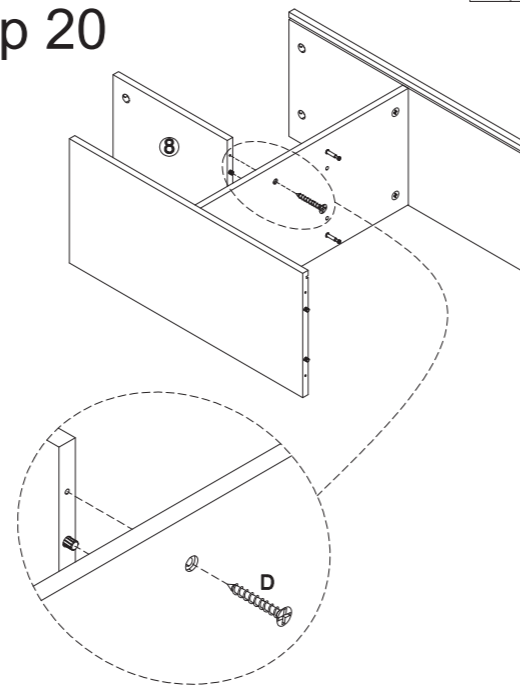
Step 19

C		4
---	--	---



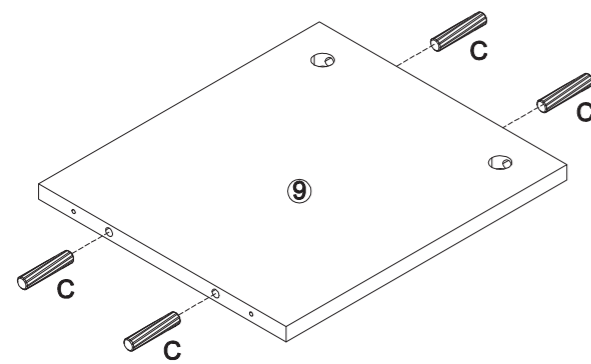
Step 20

D		2
---	--	---



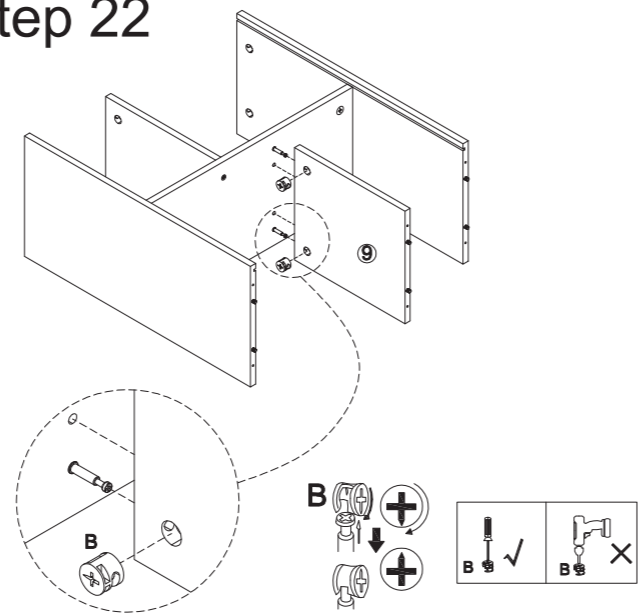
Step 21

C		4
---	--	---

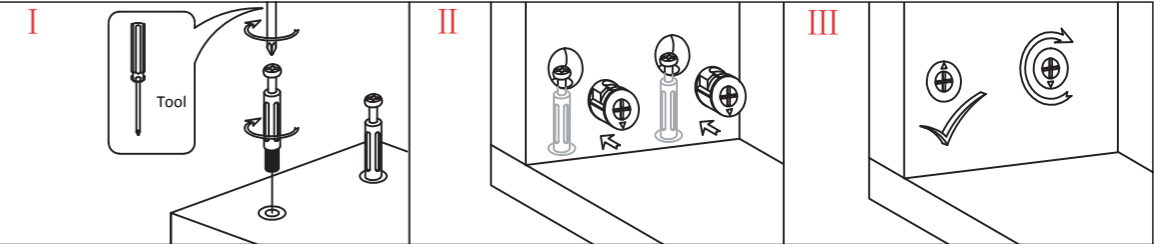


Step 22

B		2
---	--	---



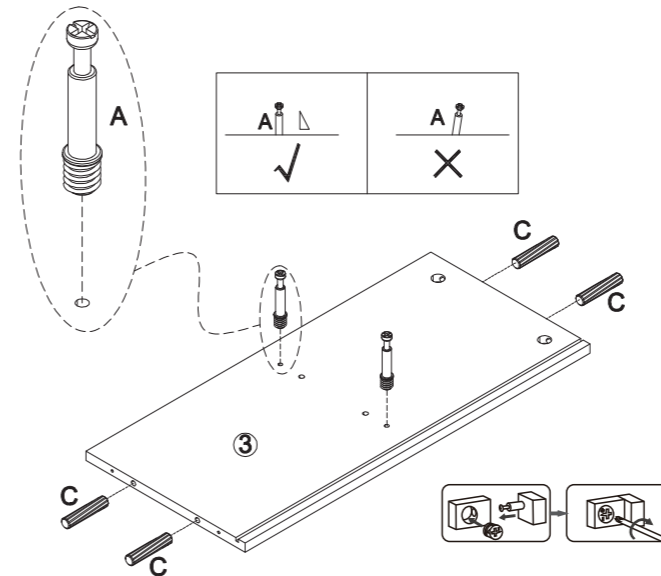
"A&B" Hardware Assembly example



Step 1

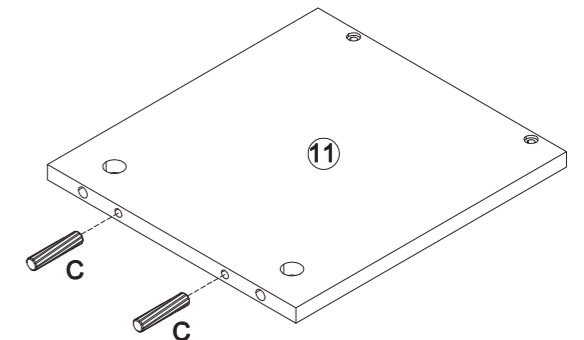
A		2
C		4

NOTICE: Mind the directions of the groove while installation.



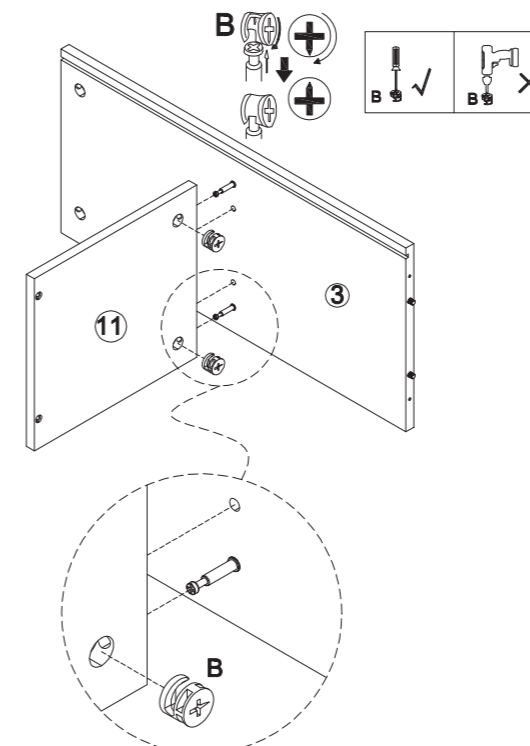
Step 2

C		2
---	--	---



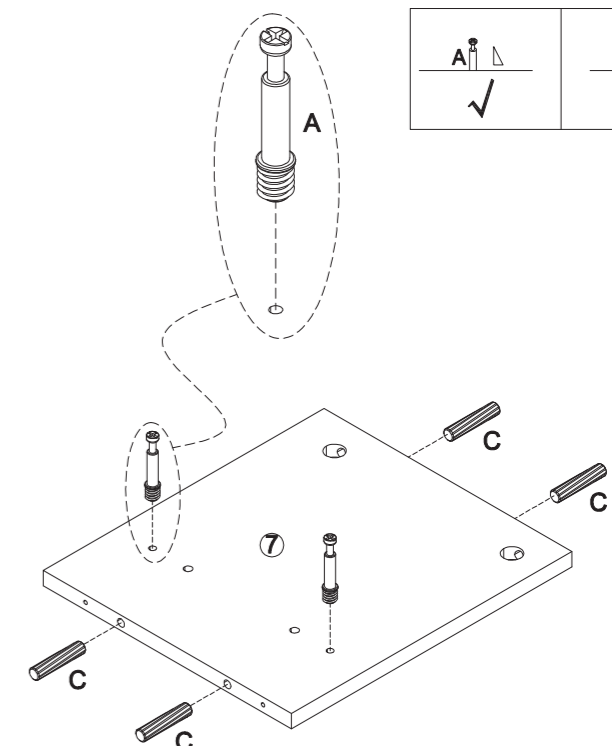
Step 3

B		2
---	--	---



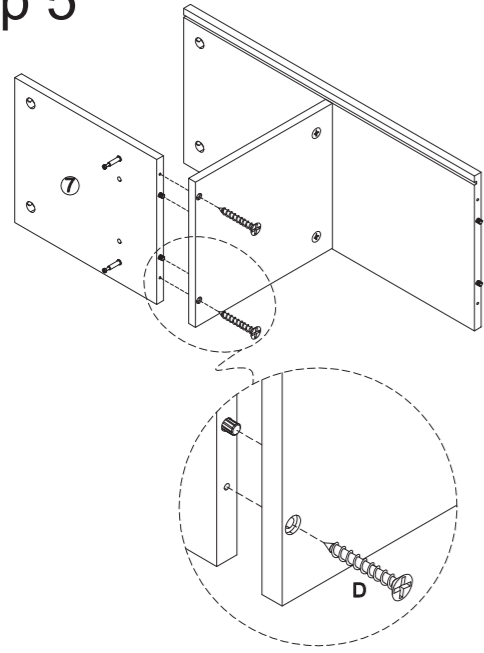
Step 4

A		2
C		4



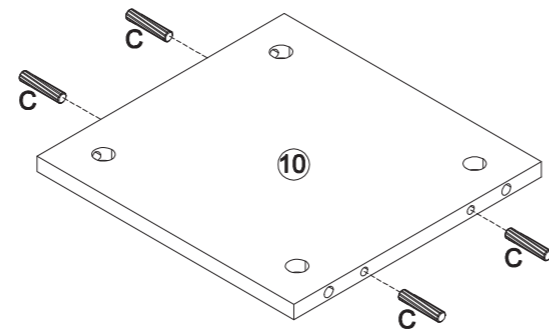
Step 5

D 2



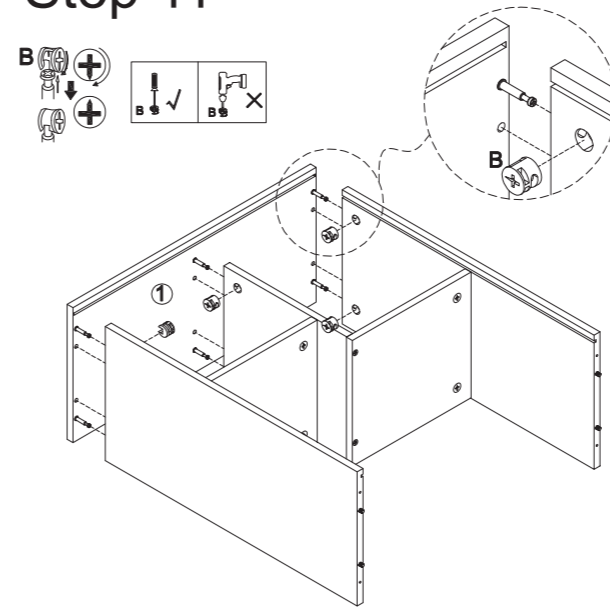
Step 6

C 4

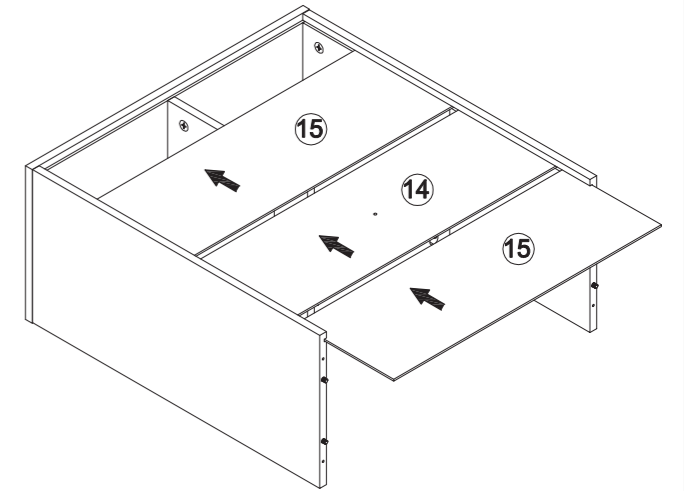


Step 11

B 6

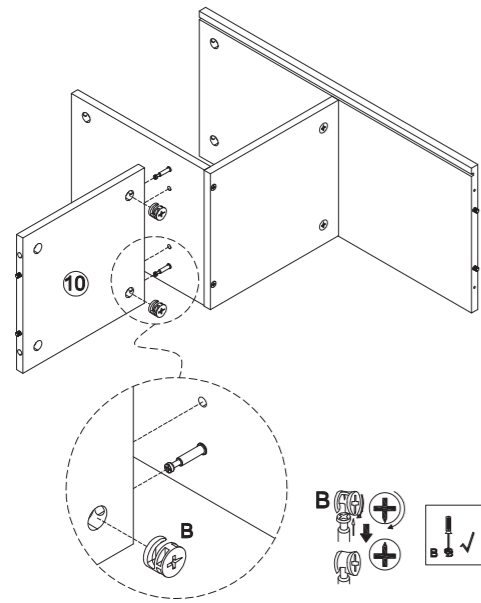


Step 12



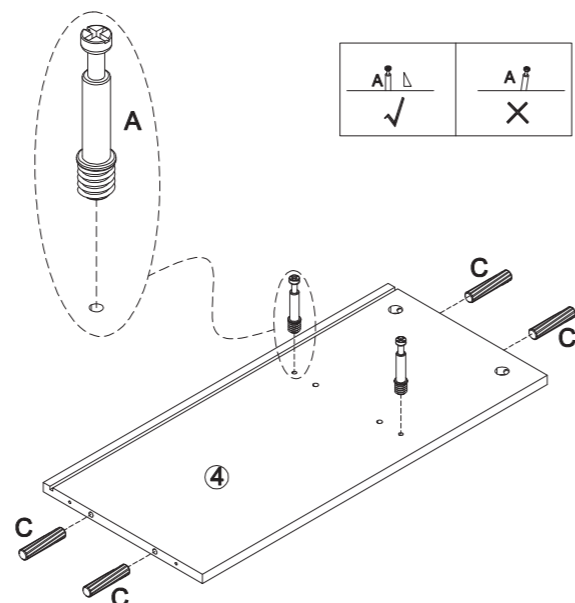
Step 7

B 2



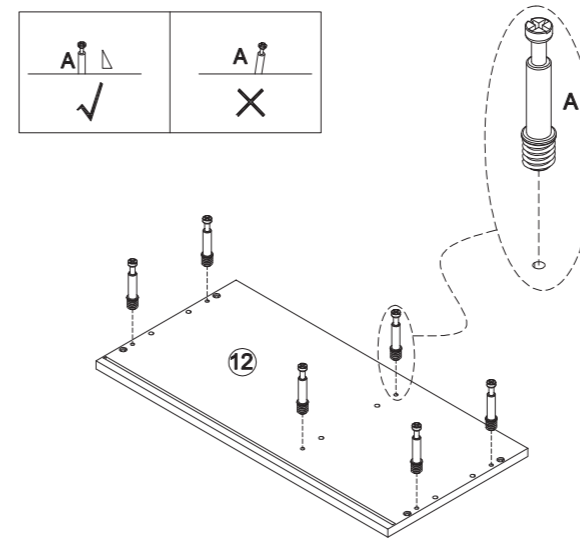
Step 8

A 2
C 4



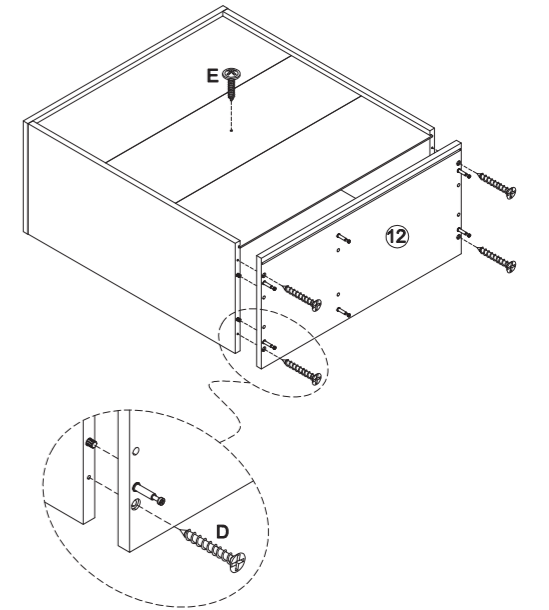
Step 13

A 6



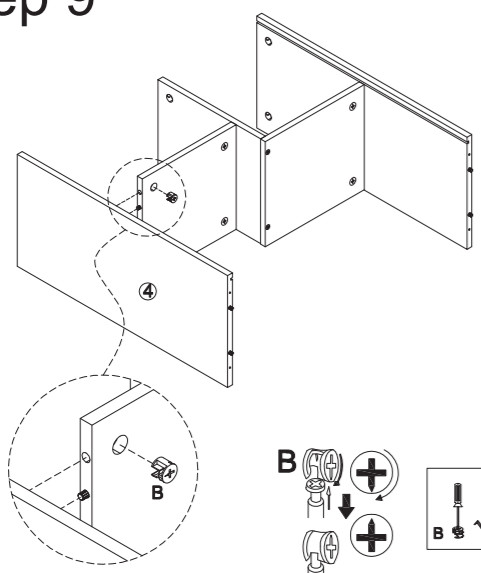
Step 14

D 4
E 1



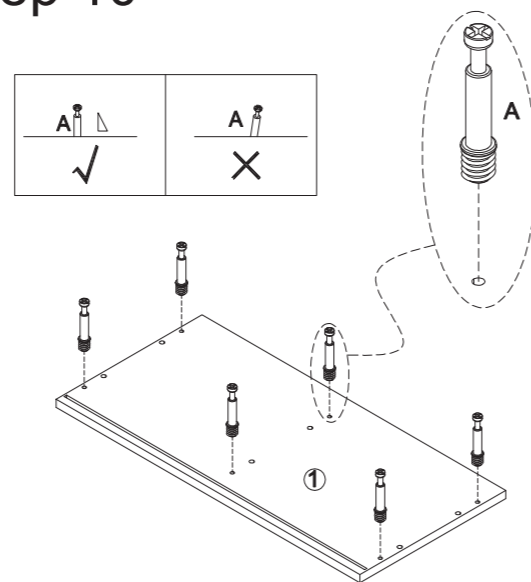
Step 9

B 2



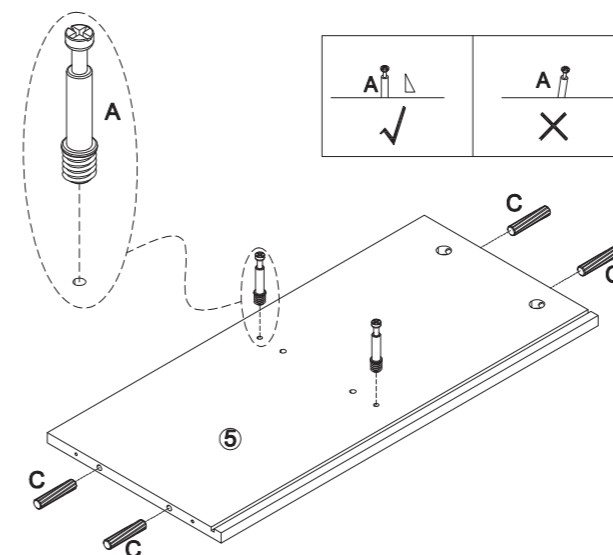
Step 10

A 6



Step 15

A 2
C 4



Step 16

A 2
C 4

