

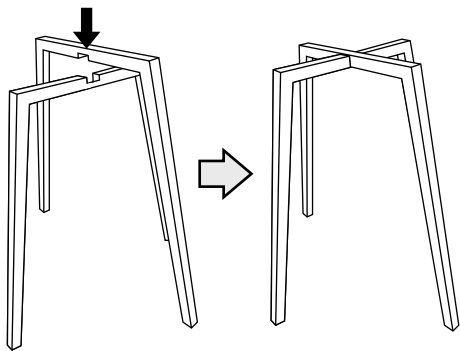
INSTRUCTION MANUAL

Parts per Stool:

- 4 short screws
- 4 long screws
- 1 allen key (L Tool)
- 2 legs
- 1 foot rest ring
- 1 seat bucket

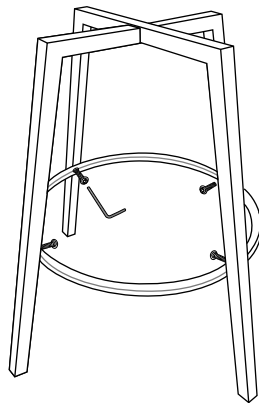
Instructions:

1



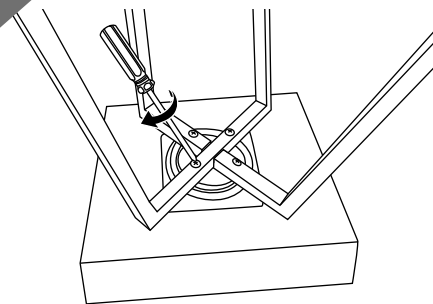
Take one leg part and place it over the other leg part. Make sure the top-middle is aligned correctly and fits into place.

2



Take the foot ring and align it with the holes located on the inside of the legs. Use the Allen Key provided to screw in the 4 SHORT screws.

3



Next, flip over the seat bucket, lay it on a flat surface, and locate the swivel plate. Align the legs with the holes located on the bottom of the swivel plate and install the 4 LONG screws into place with a screw driver.