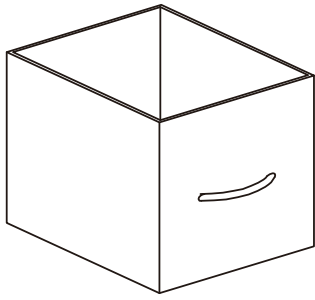


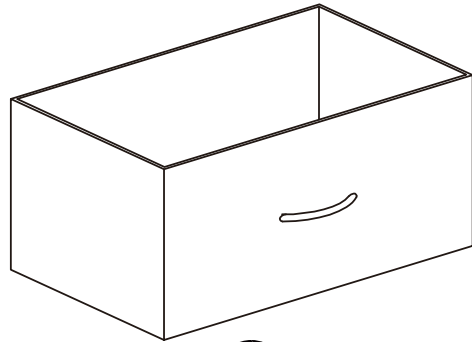
# Drawer Storage Tower

## Instruction Manual

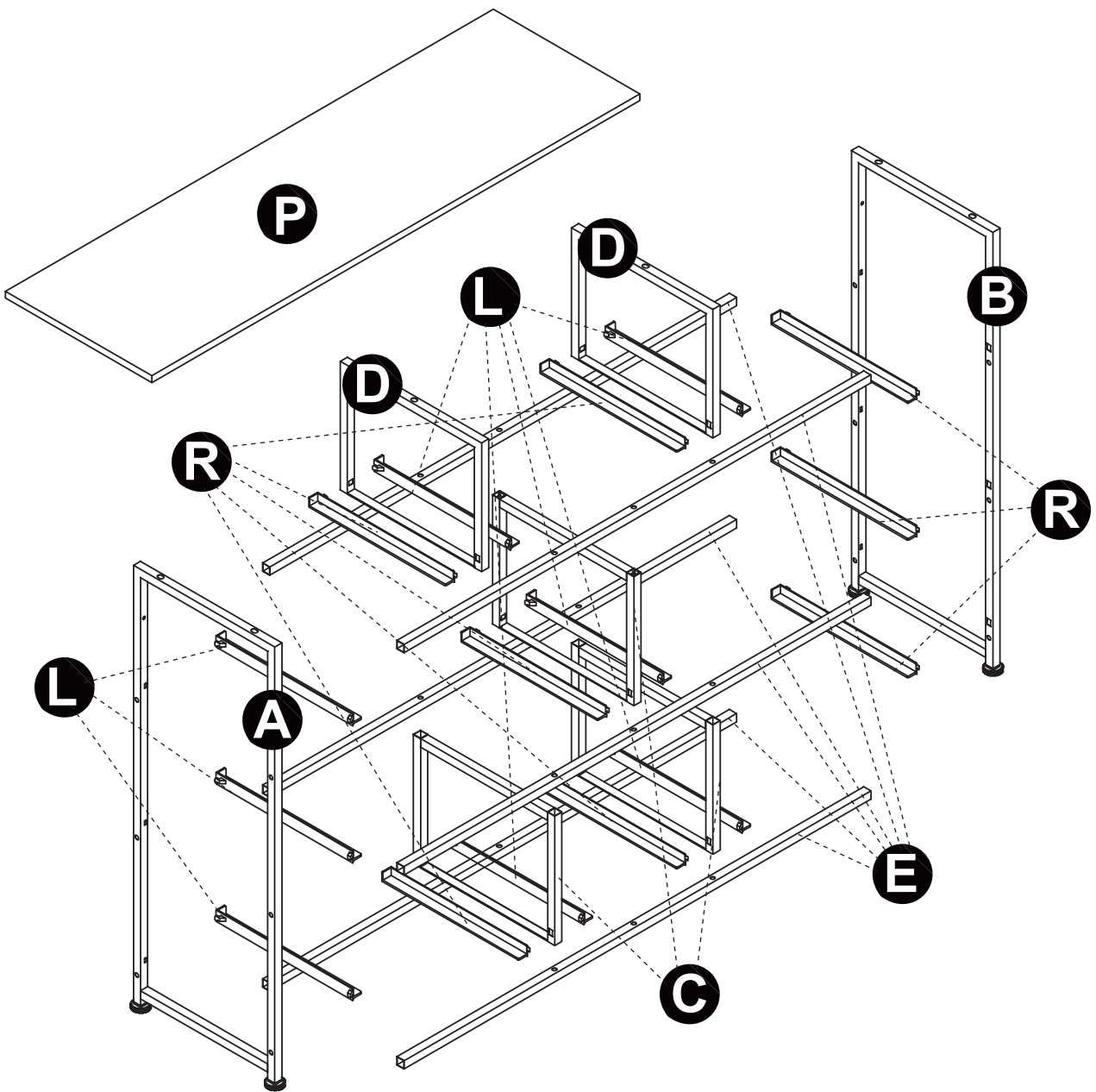




**N** x6



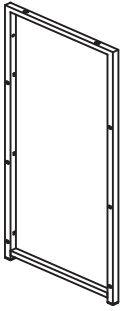
**K** x2



# Package Contents

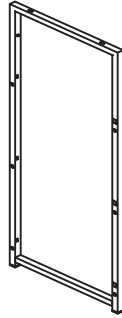
---

**A** x1



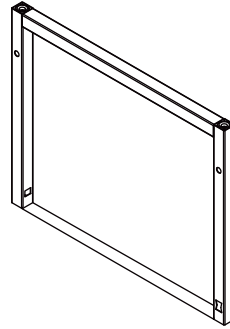
Left

**B** x1



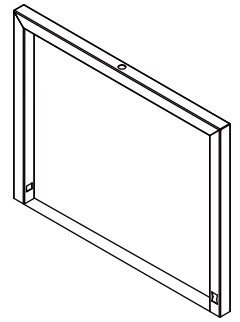
Right

**C** x3

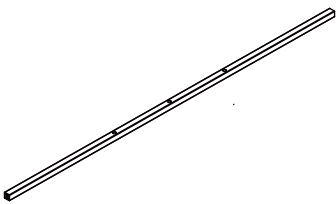


Middle

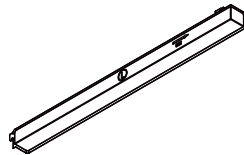
**D** x2



**E** x6

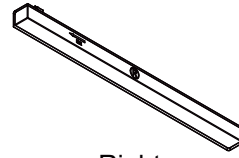


**L** x8



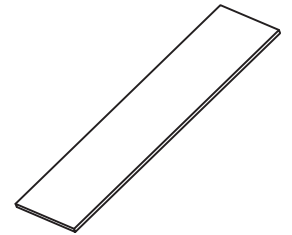
Left

**R** x8

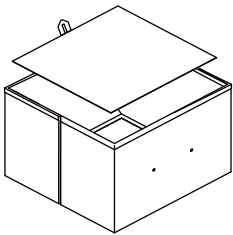


Right

**P** x1

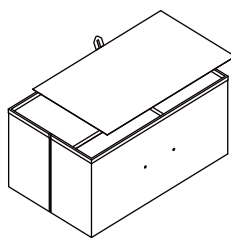


**N** x6



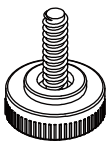
Small

**K** x2

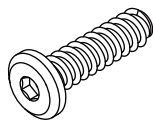


Big

**1** x4

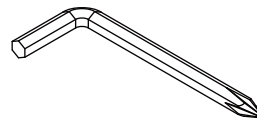


**2** x34

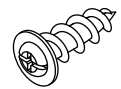


M6 x 23mm

**3** x1

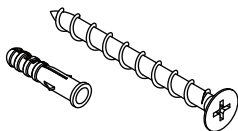


**4** x16



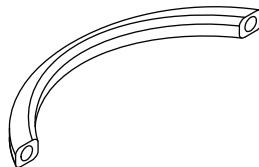
M4 x 10mm

**5** x2

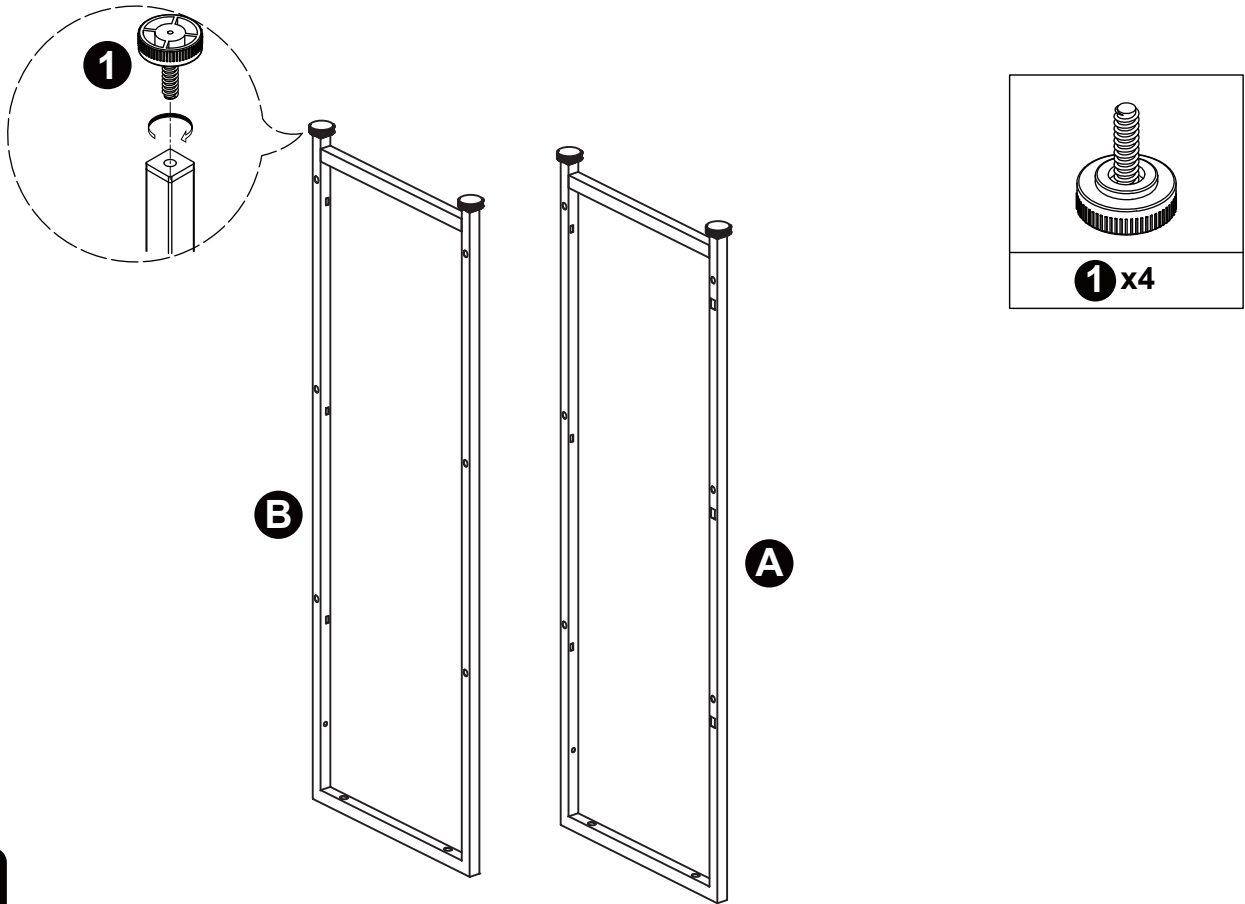


M4x60mm

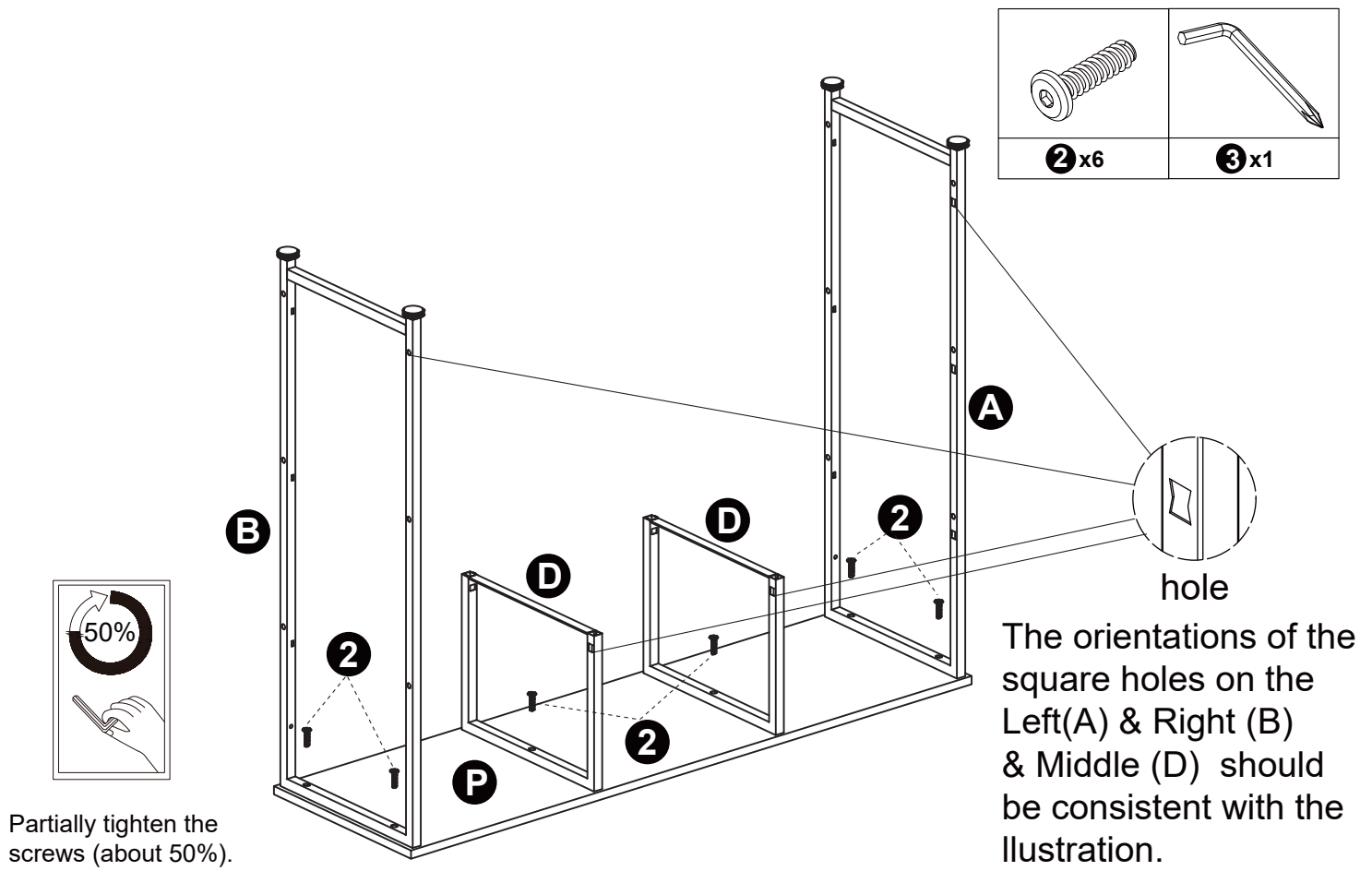
**6** x8



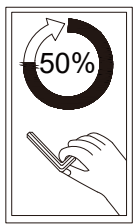
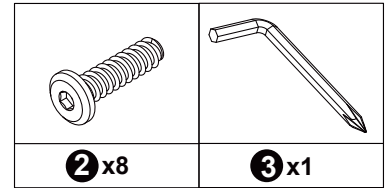
# Step 1



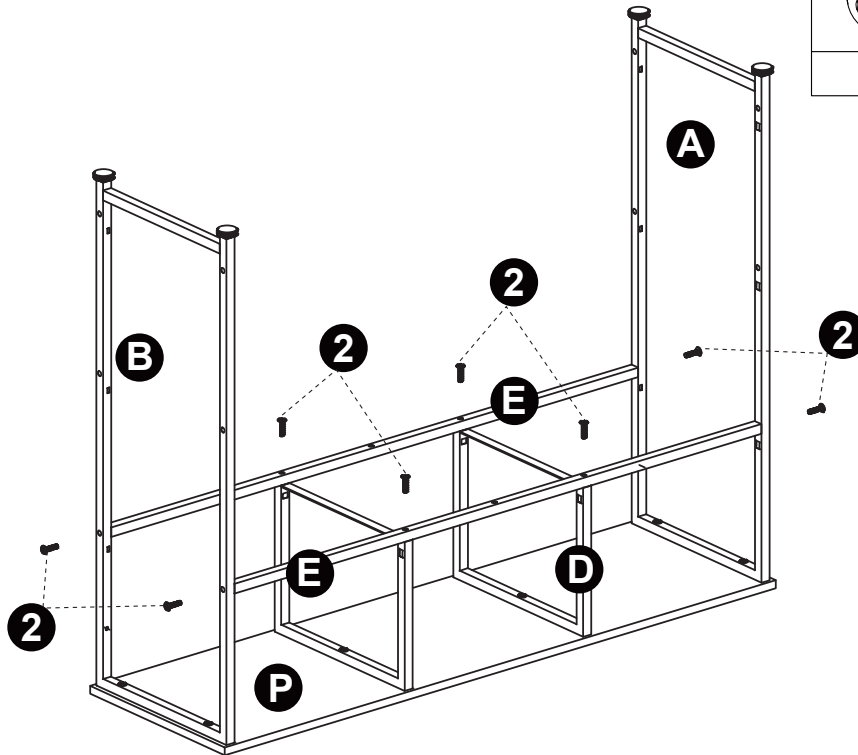
# Step 2



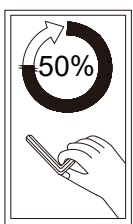
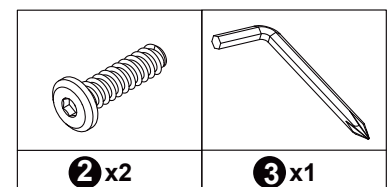
# Step 3



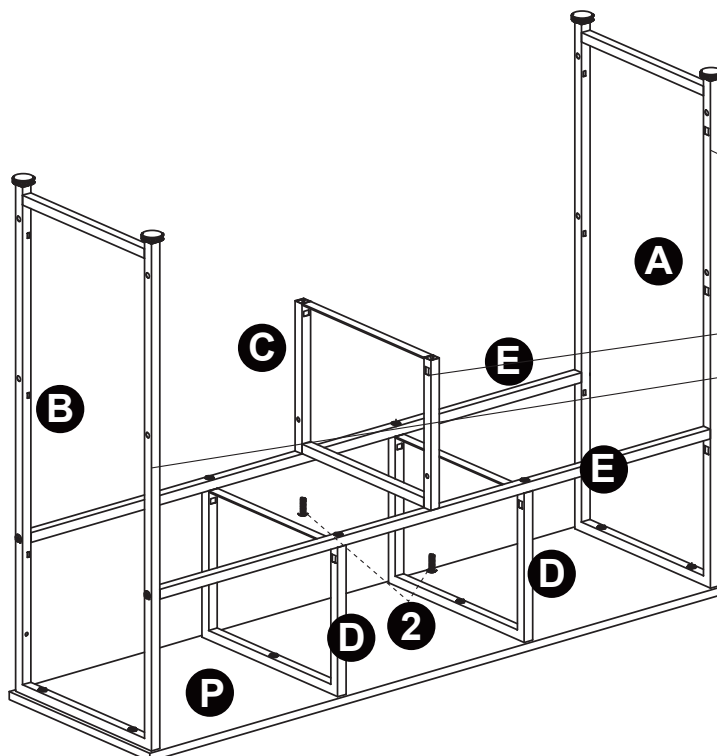
Partially tighten the screws (about 50%).



# Step 4



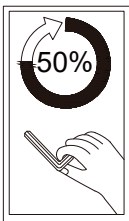
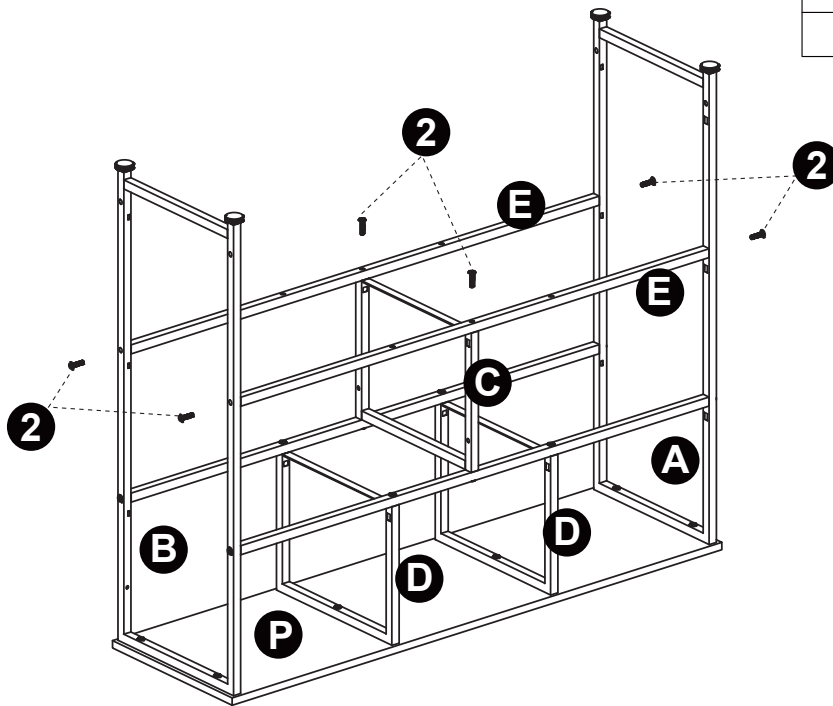
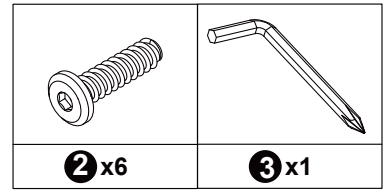
Partially tighten the screws (about 50%).



hole

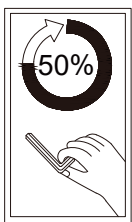
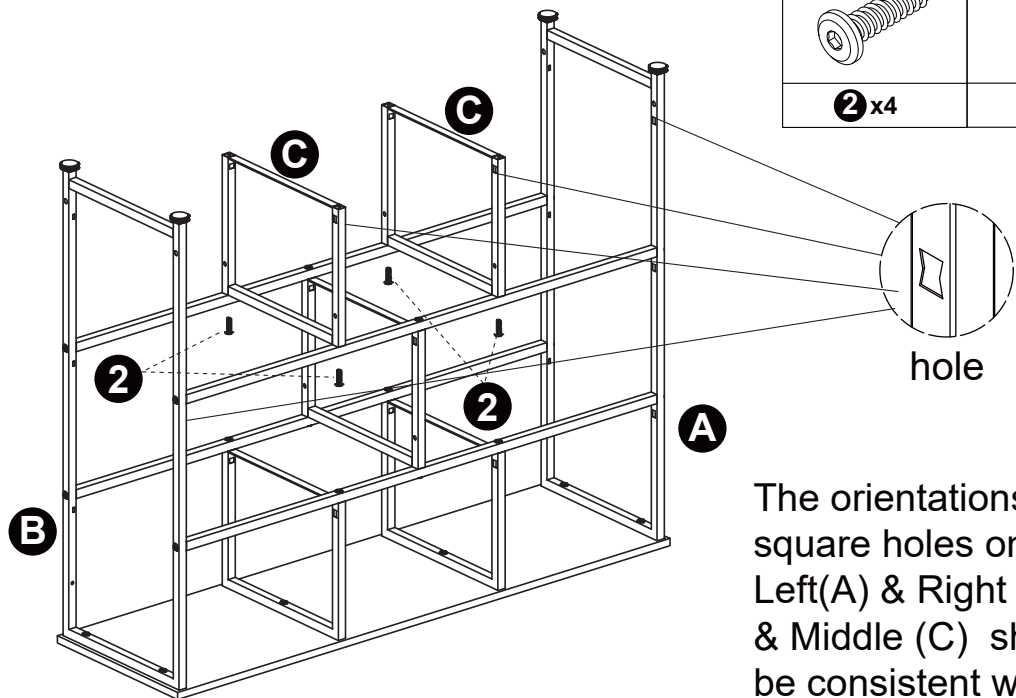
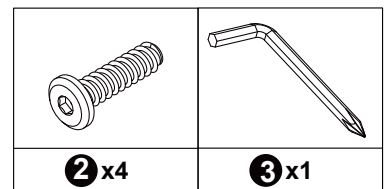
The orientations of the square holes on the Left (A) & Right (B) & Middle (C) should be consistent with the illustration.

# Step 5



Partially tighten the screws (about 50%).

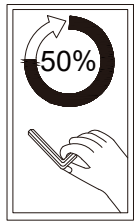
# Step 6



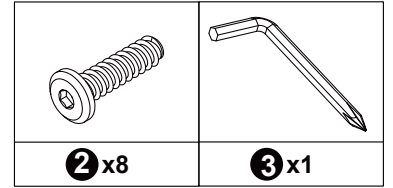
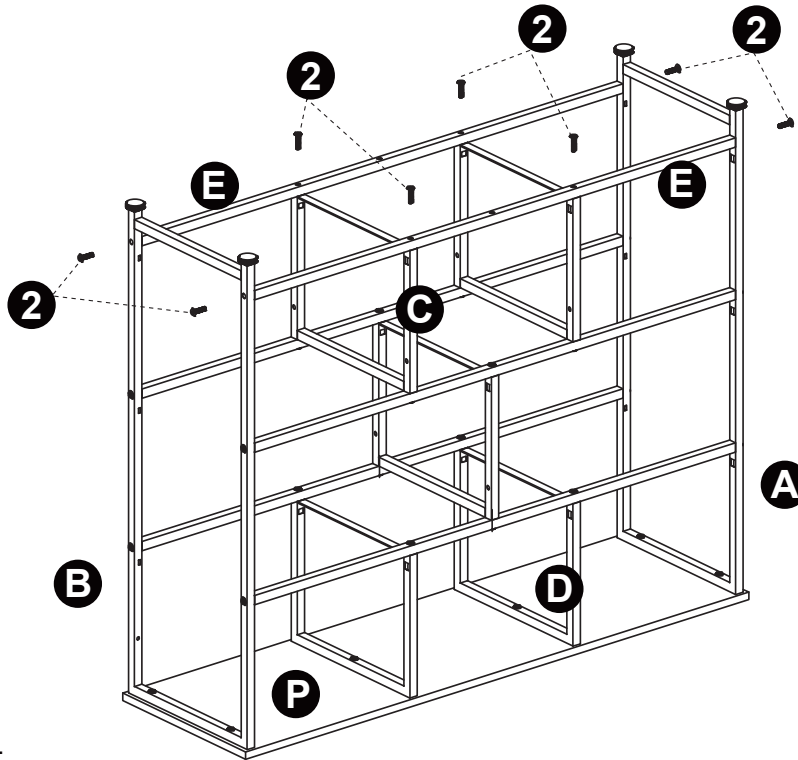
Partially tighten the screws (about 50%).

The orientations of the square holes on the Left (A) & Right (B) & Middle (C) should be consistent with the illustration.

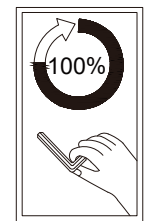
# Step 7



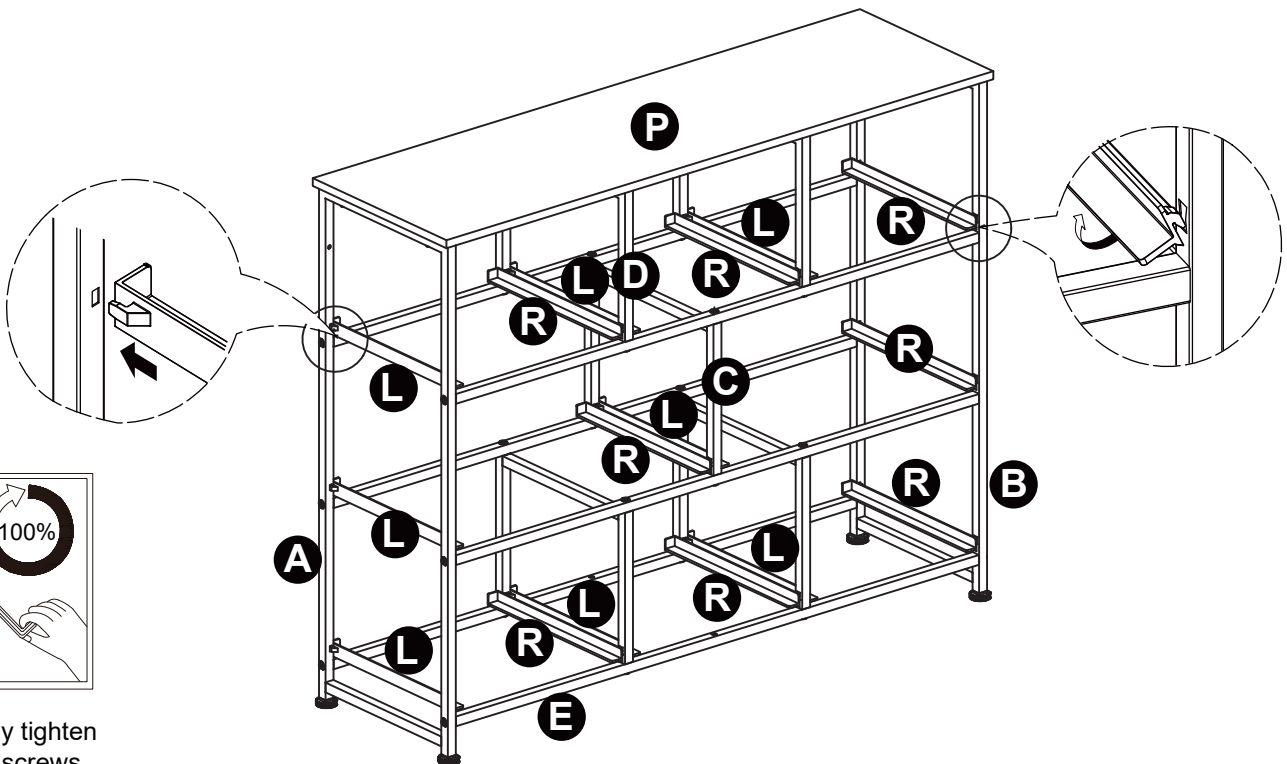
Partially tighten the screws (about 50%).



# Step 8



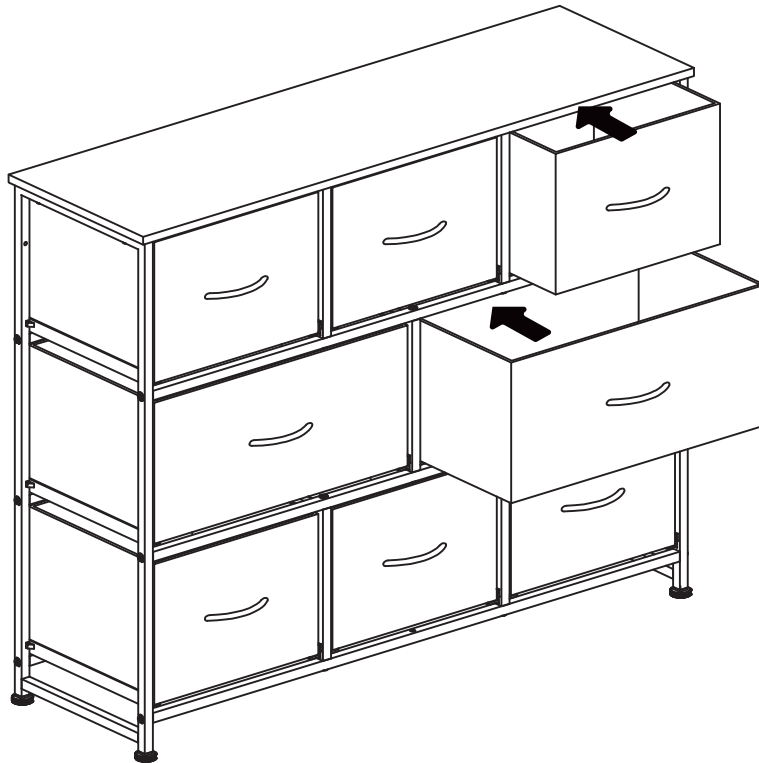
Fully tighten all screws.



Once all drawer slides are in place, tighten all screws securely.

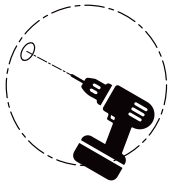


# Step 11

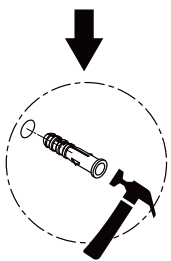


# Step 12

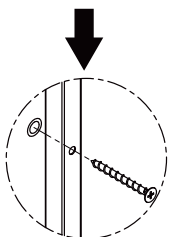
Install the anti-tip kit:



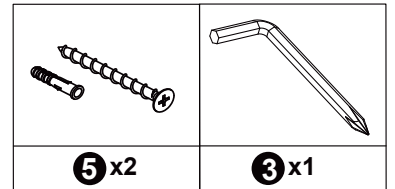
Drill a hole on the wall.



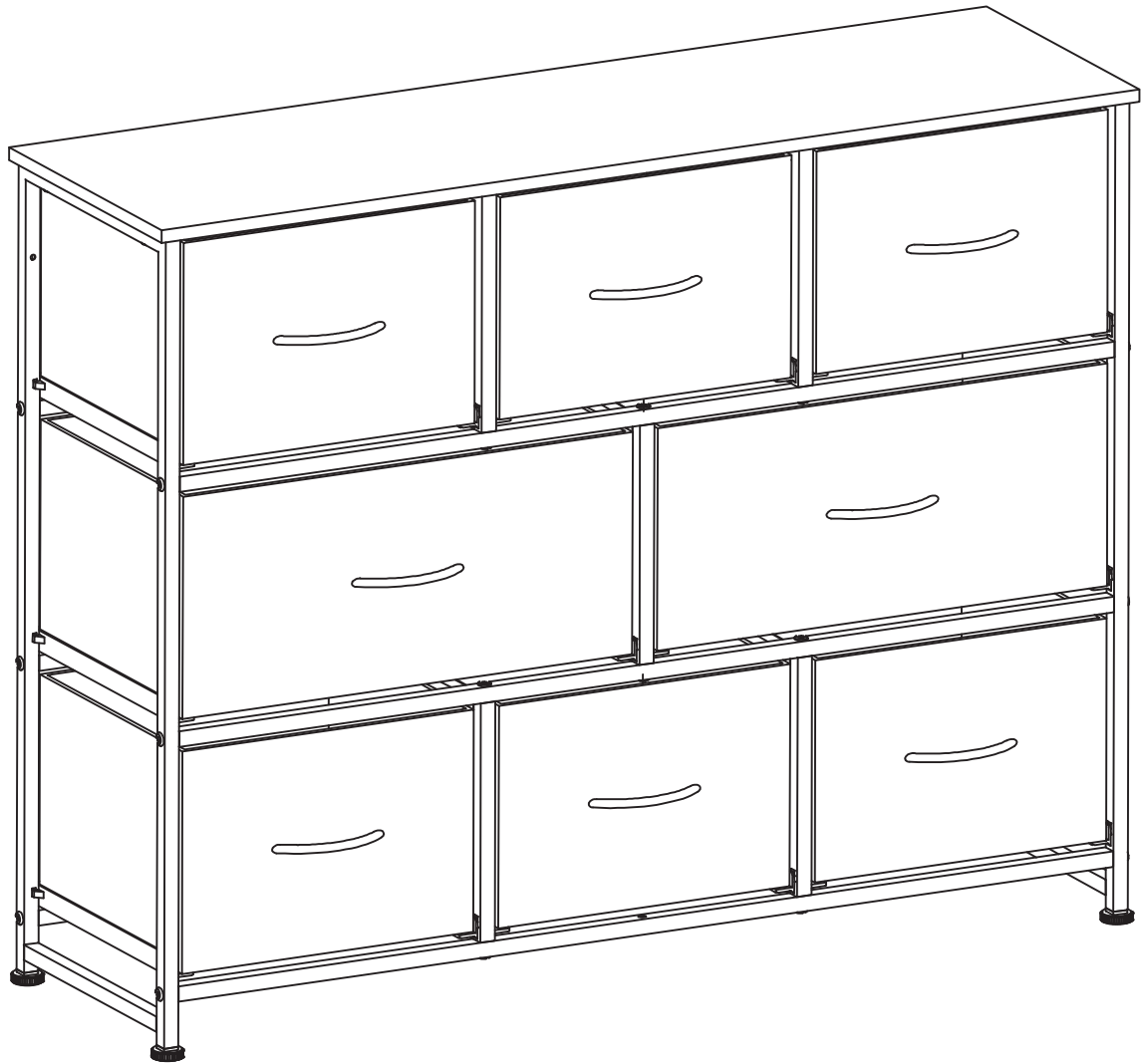
Insert a wall anchor into the hole.



Insert the screw through the frame A into the hole.



Repeat the same steps on this side.



Thank you for choosing this product. We strive to provide you with the best quality products and service in the industry. Should you have any issues, please don't hesitate to contact us.