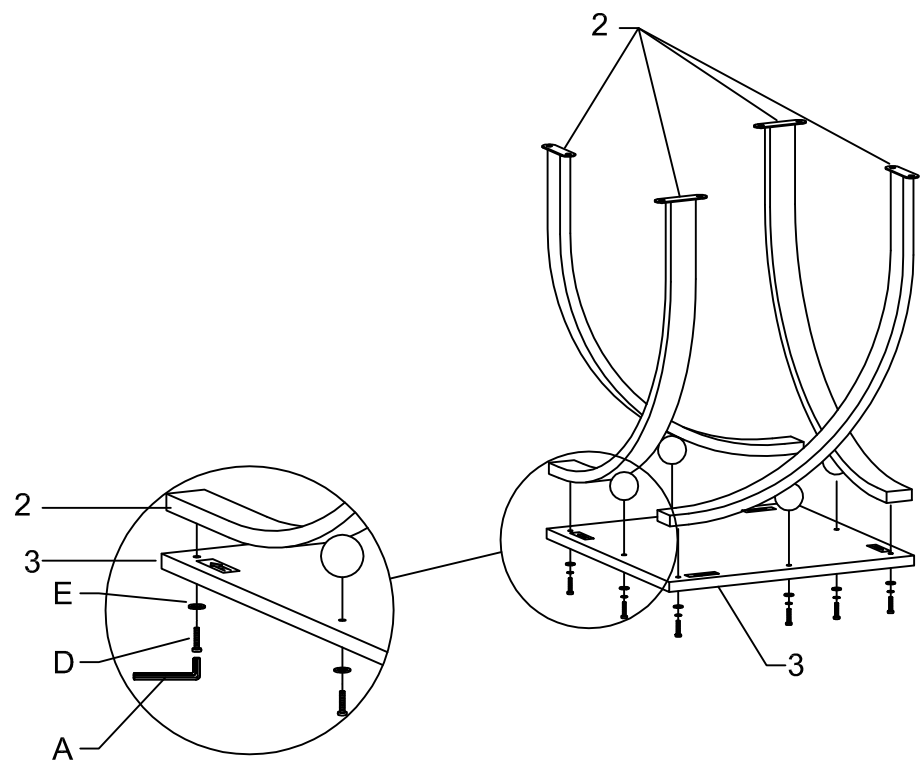
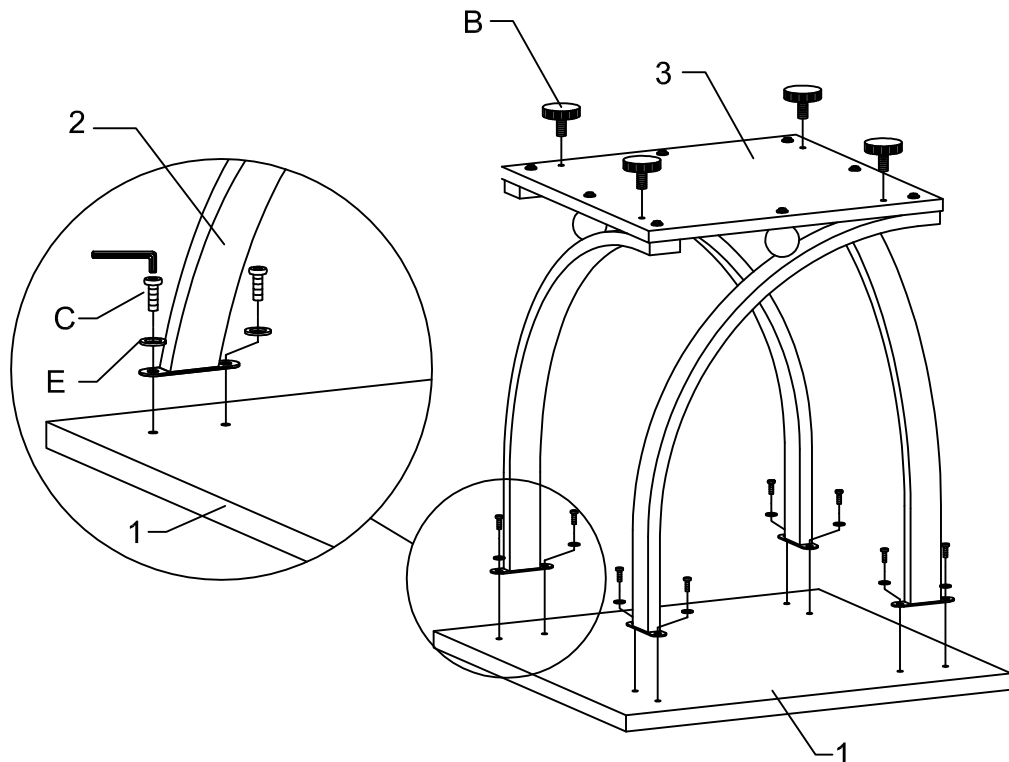


**\*\* Do not tighten any bolts until all of them have been started !**

Step 1.



Step 2.



**ACCESSORY PACK**

<p>A</p> <p>1/4"</p> <p>1PC</p>	<p>B</p> <p>4PC</p>	<p>C</p> <p>1/4" X 15 mm</p> <p>8PCS</p>	<p>D</p> <p>1/4" X 35mm</p> <p>8PCS</p>	<p>E</p> <p>16PCS</p>
---------------------------------	---------------------	--	---	-----------------------

**COMPLETE HARDWARE**

<p>1</p> <p>1PC</p>	<p>2</p> <p>4PCS</p>	<p>3</p> <p>1PC</p>
---------------------	----------------------	---------------------